



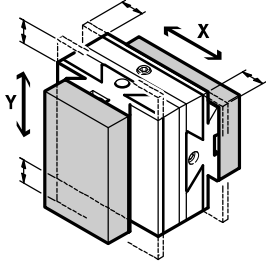
- Permits easy adjustment
- Wide choice of mounting options

Adjusting units HMXY

Key features

At a glance

Mounting options



- Precision adjusting unit in X and Y directions
- Allows easy adjustment of grippers to obtain precise gripping position
- Versatile precision interfaces using centring sleeves
- Wide choice of mounting options:
 - Direct mounting
 - Dovetail mounting

Combination with drives and grippers

Mounting on the basic components → page 5

Mini slide
SLT



Mini slide
DGSL



Adapter kits

- Direct mounting
- Dovetail mounting



Adjusting unit HMXY

- Interface between basic component and attachment component



Adapter kits

- Direct mounting
- Dovetail mounting



Mounting the attachment components → page 6



Mini slide
DGSL



Mini slide
SLT



Gripper
DHPS, DHRS, DHDS, DHWS,
HGDT, HGDD, HGPP

Adjusting units HMX

Technical data

Adjusting unit

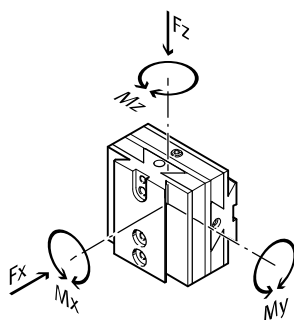


General technical data		HMX-1	HMX-3
Positioning distance	y [mm]	7.5	7.5
	z [mm]	7.5	7.5
Max. static characteristic load values → Fig. 1	Forces		
	F_x [N]	50	160
	F_z [N]	50	160
	Torques		
	M_x [Nm]	1.4	20
	M_y [Nm]	1.4	20
	M_z [Nm]	1.4	20
Mass moment of inertia → Fig. 2	J_x [$\text{kgm}^2 \times 10^{-4}$]	0.499	8.650
	J_y [$\text{kgm}^2 \times 10^{-4}$]	0.361	5.121
	J_z [$\text{kgm}^2 \times 10^{-4}$]	0.361	5.121
Weight	[g]	155	2324
Ambient temperature	[°C]	5 ... 60	
Corrosion resistance class CRC ¹⁾		2	
Material		Anodised aluminium	
Note on materials		Free of copper and PTFE	

1) Corrosion resistance class CRC 2 to Festo standard FN 940070
Moderate corrosion stress. Indoor applications in which condensation may occur. External visible parts with primarily decorative requirements for the surface and which are in direct contact with the ambient atmosphere typical for industrial applications.

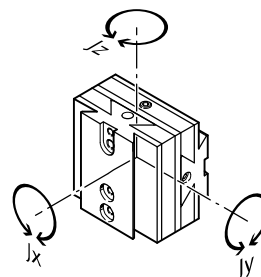
Max. permissible static characteristic load values

Fig. 1



Mass moment of inertia

Fig. 2



Adjusting units HMXY

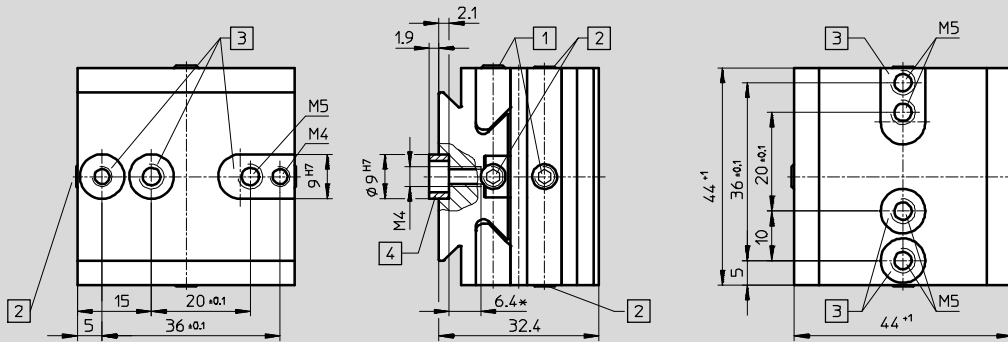
Technical data

FESTO

Dimensions

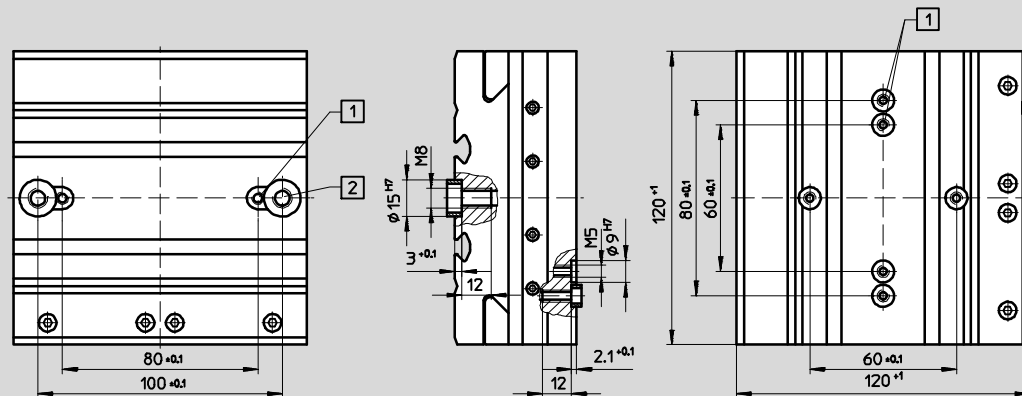
Download CAD data → www.festo.com

HMXY-1



- 1 Locking screw
 - 2 Adjusting screw
 - 3 Centring hole/slot
 - 4 For centring sleeve ZBH-9 (2 included in the scope of delivery)
- * For M4 and M5 threads

HMXY-3



- 1 For centring sleeve ZBH-9 (2 included in the scope of delivery)
- 2 For centring sleeve ZBH-15 (2 included in the scope of delivery)

Ordering data

	Part No.	Type
	187582	HMXY-1
	526030	HMXY-3

Adjusting units HMXY

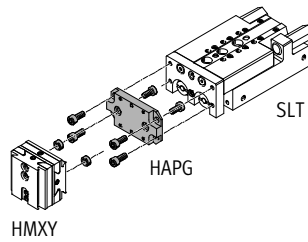
Technical data – Mounting on the basic components

Mounting on mini slide SLT

Material:

Adapter kit HAPG: Wrought aluminium alloy

Free of copper and PTFE

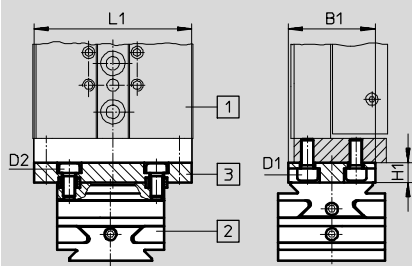


Direct mounting

Dimensions and ordering data

Download CAD data → www.festo.com

Direct mounting



- 1 Mini slide SLT
- 2 Adjusting unit HMXY
- 3 Adapter kit HAPG

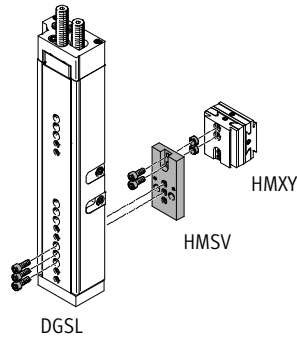
Basic component	Adjusting unit	B1	H1	L1	Screws D1	Screws D2	Part No.	Type
SLT-16	HMXY-1	36	8	65	M5x10	M5x12	191266	HAPG-48
SLT-20		44	10	80	M5x12	M5x14	191268	HAPG-50
SLT-25	HMXY-1/3	44	12	91	M6x16	M5x14	191270	HAPG-52

Adjusting units HMXY

Technical data – Mounting the attachment components

Mounting on mini slide DGSL

Material:
 Adapter kit HMSV:
 Wrought aluminium alloy
 Free of copper and PTFE

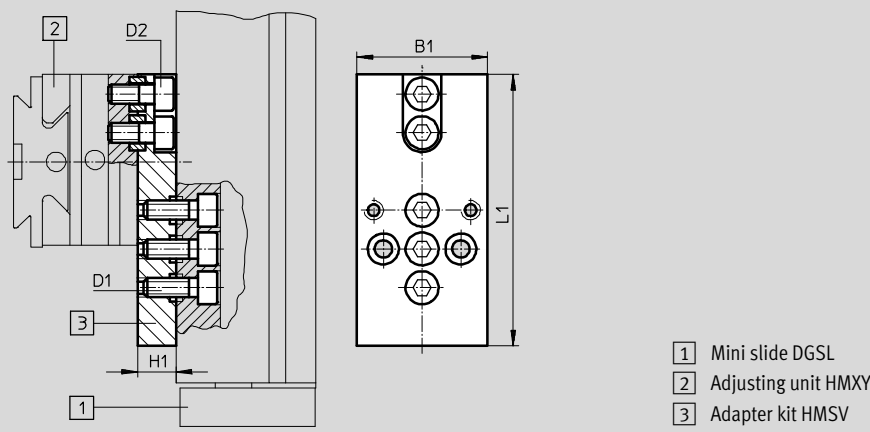


Direct mounting

Dimensions and ordering data

Download CAD data → www.festo.com

Direct mounting



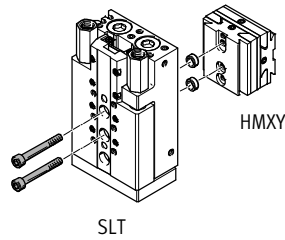
Attachment component	Adjusting unit	B1	D1	D2	H1	L1	Part No.	Type
DGSL-4/6	HMXY-1	33.6	M3	M5	10	87	548787	HMSV-57
DGSL-8/10	HMXY-1	33.6	M4	M5	10	87		
DGSL-12/16	HMXY-1	33.6	M5	M5	10	70	548782	HMSV-52
DGSL-20/25	HMXY-3	40	M6	M5	10	100	548929	HMSV-60

Adjusting units HMXY

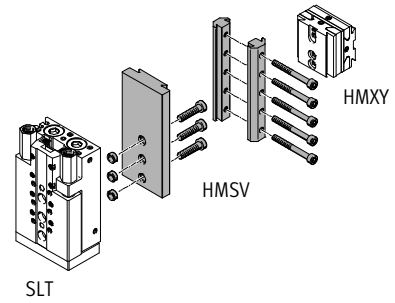
Technical data – Mounting the attachment components

Mounting on mini slide SLT

Material:
 Adapter kit HMSV: Wrought aluminium alloy
 Free of copper and PTFE



Direct mounting

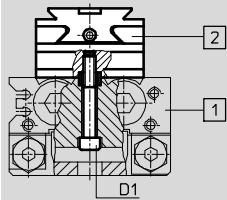


Dovetail mounting

Dimensions and ordering data

Download CAD data → www.festo.com

Direct mounting

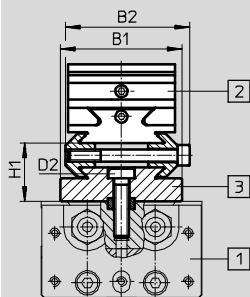


- 1 Mini slide SLT
- 2 Adjusting unit HMXY

Attachment component	Adjusting unit	Screws ¹⁾
SLT-16	HMXY-1	2x M5x38

1) The screws listed are not included in the scope of delivery of the adjusting unit.

Dovetail mounting



- 1 Mini slide SLT
- 2 Adjusting unit HMXY
- 3 Adapter kit HMSV

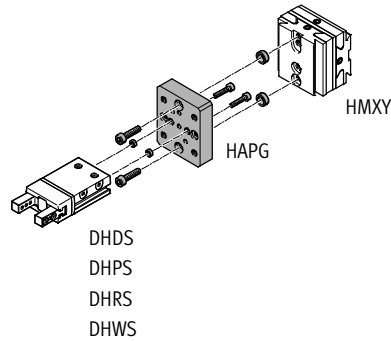
Attachment component	Adjusting unit	B1	B2	H1	Screws D2	Part No.	Type
SLT-6	HMXY-1/3	40	51	22	M3x20	178329	HMSV-34
SLT-10		40	51	22	M4x30	178330	HMSV-35
SLT-16		50	51	24	M6x25	178331	HMSV-36
SLT-20		80	51	26	M6x25	178332	HMSV-37
SLT-25	HMXY-3	80	51	26	M8x25		

Adjusting units HMXY

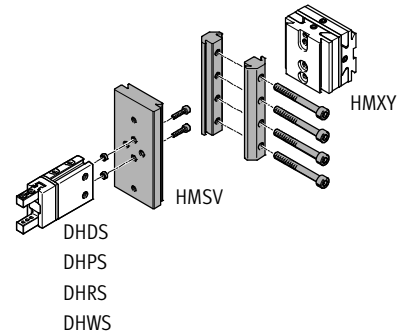
Technical data – Mounting the attachment components

Mounting on gripper DHDS, DHPS, DHRS, DHWS

Material:
 Adapter kit HAPG:
 Wrought aluminium alloy
 Free of copper and PTFE



Direct mounting

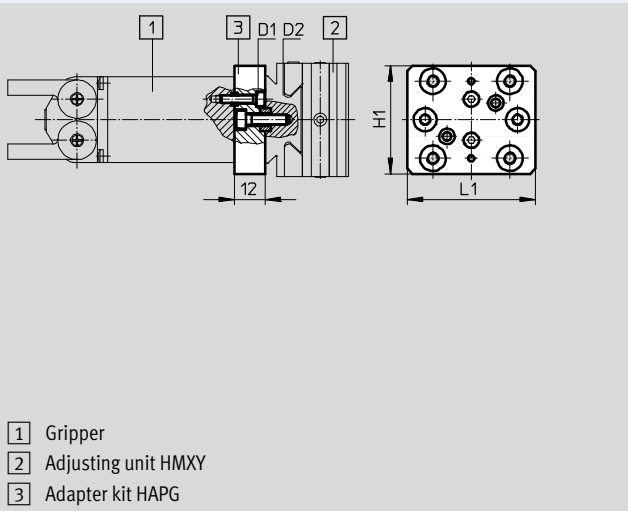


Dovetail mounting

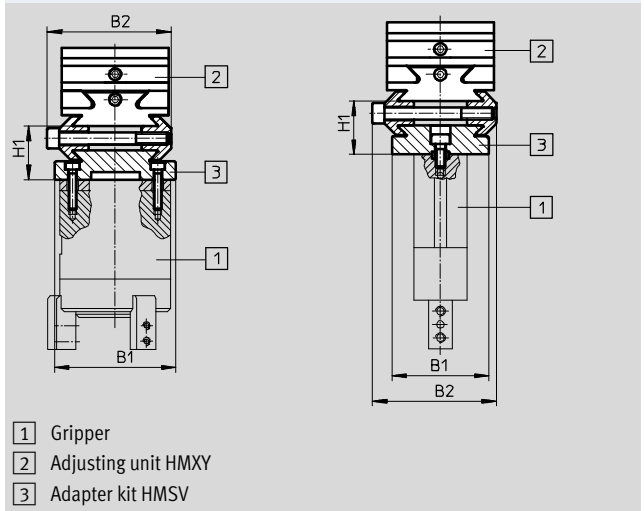
Dimensions and ordering data

Download CAD data → www.festo.com

Direct mounting



Dovetail mounting



Attachment component	Adjusting unit	B1	B2	H1	L1	Screws D1	Screws D2	Part No.	Type
Direct mounting									
DHPS-06, DHRS-10, DHWS-10	HMXY-1	-	-	42	50	M3x14	M4x16	192706	HAPG-37-S1
DHDS-16		-	-	42	50	M3x20	M4x16	193921	HAPG-36-S3
DHPS-06, DHRS-16, DHWS-16		-	-	42	50	M3x14	M4x16	192705	HAPG-36-S1
DHPS-16, DHRS-25, DHWS-25		-	-	42	50	M4x14	M4x16	193922	HAPG-37-S4
Dovetail mounting									
DHPS-10, DHRS-16, DHWS-16	HMXY-1/3	40	51	22	-	-	-	177767	HMSV-27
DHPS-16, DHRS-25, DHWS-25		40	51	22	-	-	-	177768	HMSV-28
DHPS-25, DHRS-32, DHWS-32		50	51	24	-	-	-	177769	HMSV-29
DHDS-32	HMXY-3	50	51	22	-	-	-	178212	HMSV-32
DHPS-35, DHRS-40, DHWS-40		60	51	28	-	-	-	177770	HMSV-30
DHDS-50		70	51	24	-	-	-	178213	HMSV-33

Adjusting units HMXY

Technical data – Mounting the attachment components

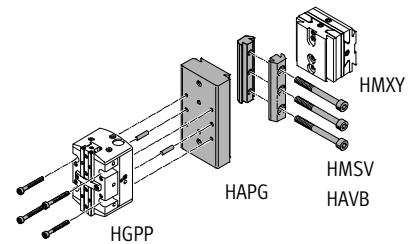
Mounting on parallel gripper HGPP

Material:

Adapter kit HAVB, HMSV, HAPG:

Wrought aluminium alloy

Free of copper and PTFE

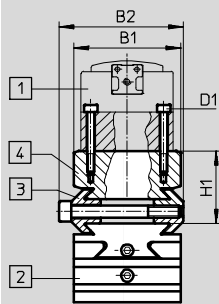


Dovetail mounting

Dimensions and ordering data

Download CAD data → www.festo.com

Dovetail mounting



- 1 Parallel gripper HGPP
- 2 Adjusting unit HMXY
- 3 Adapter kit HMSV, HAVB
- 4 Adapter kit HAPG

Attachment component	Adjusting unit	B1	B2	H1	Screws D1	Part No.	Type	Part No.	Type
HGPP-12	HMXY-1	44	51	27.5	M5x30	163239	HAVB-3	191262	HAPG-44
	HMXY-3	44	51	30	M5x30	177649	HMSV-3	191262	HAPG-44
HGPP-16	HMXY-1	44	51	27.5	M5x30	163239	HAVB-3	191263	HAPG-45
	HMXY-3	44	51	30	M5x30	177649	HMSV-3	191263	HAPG-45
HGPP-20	HMXY-1	50	51	19.5	M5x30	163239	HAVB-3	191265	HAPG-47
	HMXY-3	50	51	22	M5x30	177649	HMSV-3	191265	HAPG-47
HGPP-25	HMXY-1	60	51	25.5	M5x40	163239	HAVB-3	529019	HAPG-59
	HMXY-3	60	51	28	M5x40	177649	HMSV-3	529019	HAPG-59
HGPP-32	HMXY-3	60	51	28	M5x50	177653	HMSV-7	529020	HAPG-61

Adjusting units HMXY

Technical data – Mounting the attachment components

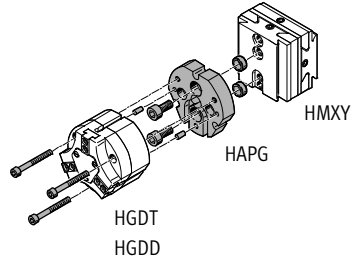
Mounting on three-point gripper HGDT, HGDD

Material:

Adapter kit HAPG:

Wrought aluminium alloy

Free of copper and PTFE

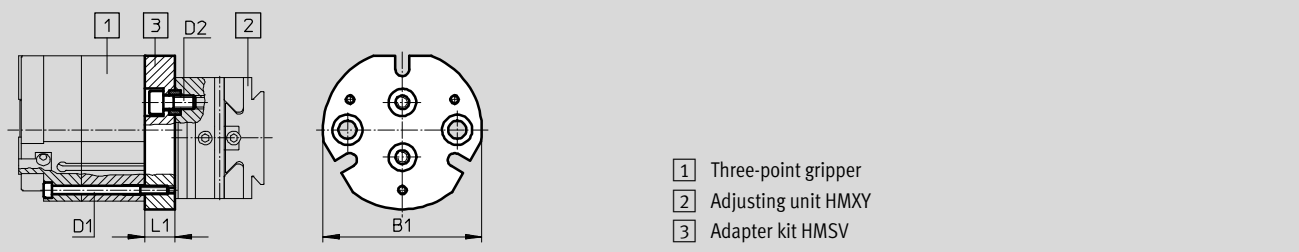


Direct mounting

Dimensions and ordering data

Download CAD data → www.festo.com

Direct mounting



Attachment component	Adjusting unit	B1	D1	D2	L1	Part No.	Type
HGDT-25	HMXY-1	48	M3	M5	10	542439	HAPG-SD2-32
HGDT-35, HGDD-35		58	M3	M5	11	542436	HAPG-94

Festo - Your Partner in Automation



1 Festo Inc.
5300 Explorer Drive
Mississauga, ON L4W 5G4
Canada

Festo Customer Interaction Center
Tel: 1 877 463 3786
Fax: 1 877 393 3786
Email: customer.service.ca@festo.com



2 Festo Pneumatic
Av. Ceylán 3,
Col. Tequesquináhuac
54020 Tlalnepantla,
Estado de México

Multinational Contact Center
01 800 337 8669
ventas.mexico@festo.com



3 Festo Corporation
1377 Motor Parkway
Suite 310
Islandia, NY 11749

Festo Customer Interaction Center
1 800 993 3786
1 800 963 3786
customer.service.us@festo.com



4 Regional Service Center
7777 Columbia Road
Mason, OH 45040

Connect with us



www.festo.com/socialmedia



www.festo.com

Subject to change