

Flanged pressure gauge FMA

FESTO



Type code

001	Series	
FMA	Flanged pressure gauge FMA	

002	Size	
40	Diameter 40 mm	
50	Diameter 50 mm	
63	Diameter 63 mm	

003	Display range	
0.25	0 ... 0.25	
2.5	0 ... 2.5	
10	0 ... 10	
16	0 ... 16	

004	Pneumatic connection	
G14	G1/4	

005	Pressure gauge type	
	MS pressure gauge	
EN	Round pressure gauge according to standard	

006	Scale printing	
	Standard	
C	Alternative colour print	

Datasheet

General technical data



Nominal size of pressure gauge	40	50	63
Pneumatic connection	G1/4		
Design	Bourdon tube pressure gauge		
Type of mounting	Front panel mounting		
Position of connection	Centred, rear side		
Alternating load factor	0.66	0.66, 0.9	
Measurement accuracy class	2.5	1.6, 2.5	
Degree of protection	IP43		
Conforms to standard	EN 837-1		EN 837-1 EN 837-3

Operating and environmental conditions

Nominal size of pressure gauge	40	50	63
Operating pressure	0 ... 1.6 MPa		
Operating pressure	0 ... 16 bar		
Operating pressure	0 ... 232 psi		
Operating medium	Inert gases, Neutral fluids		Liquid media, Gaseous media, Inert gases, Neutral fluids
Note on operating and pilot medium	No acetylene, No oxygen		
Ambient temperature	-20 ... 60°C		
Media temperature	-20 ... 60°C		-20 ... 80°C

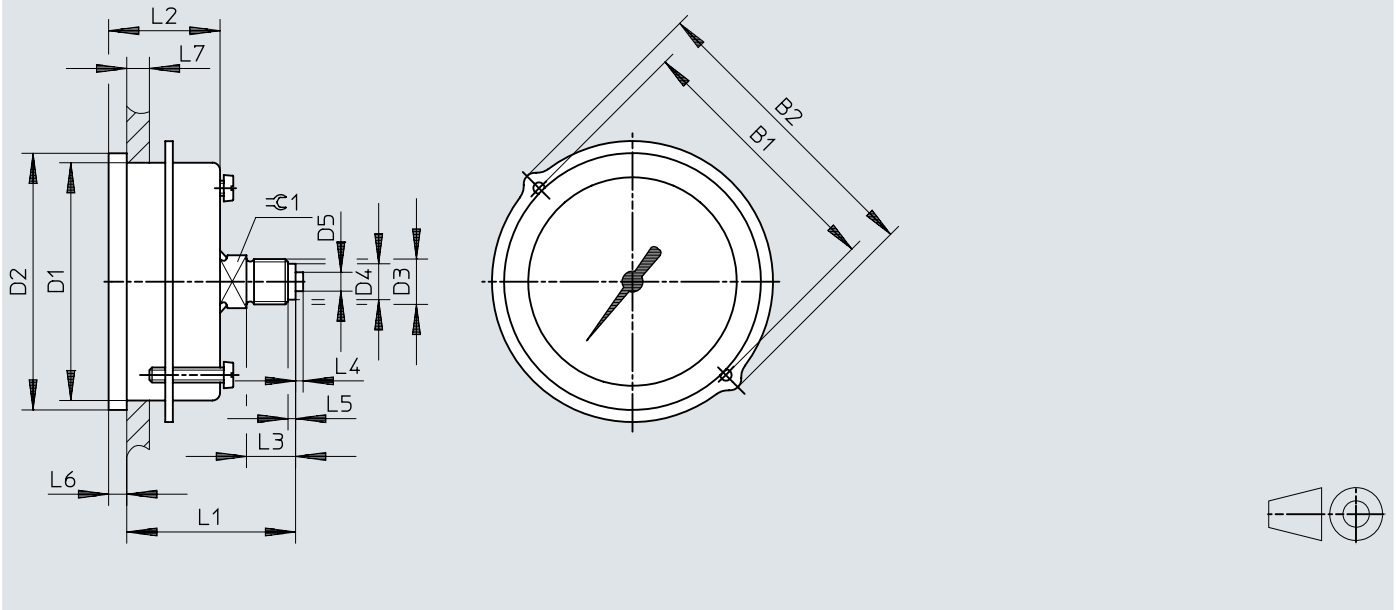
Materials

Nominal size of pressure gauge	40	50	63
Material housing	ABS		ABS, Steel
Material screen	SAN		PMMA, SAN
Material screwed plug	Brass		
Material in contact with the medium	Brass		
Housing colour	Black		
LABS (PWIS) conformity	VDMA24364-B1/B2-L		

Dimensions

Dimensions – FMA-...-EN

Download CAD data → www.festo.com

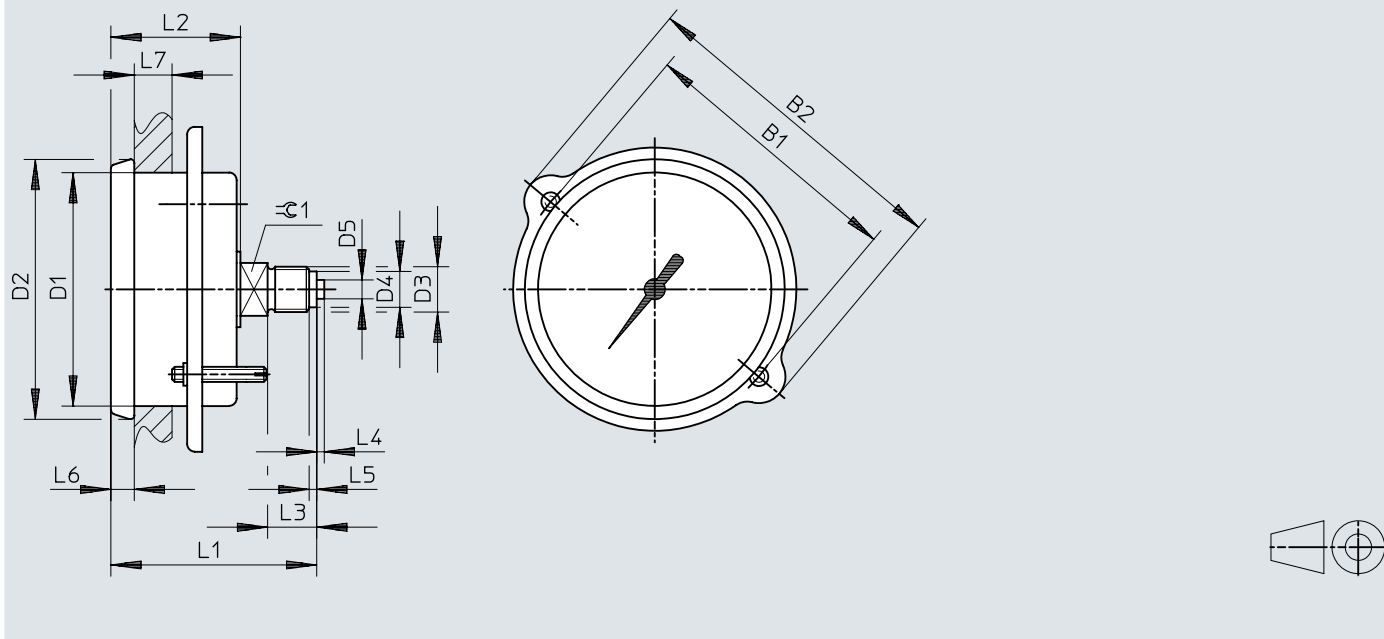


	B1	B2	D1 ∅	D2 ∅	D3	D4 ∅	D5 ∅	L1 ±1	L2	L3 +0,3	L4	L5	L6	L7 max.	≅ 1
FMA-40-...-EN	48	56	40 -0,2	45 -0,3	G1/4	9,5	5	43	26,5 ±0,5	13	2	2	4,5	15	14
FMA-50-...-EN	57 +0,3	66	49,5 +0,2	54 -0,4				43,3	26,8 +0,3				4,5		
FMA-63-...-EN	70 +0,3	79	63 +0,2	68 -0,2				42,5	29,5 +0,3				4,8		

Dimensions

Dimensions – FMA-63-0.25-C

Download CAD data → www.festo.com



	B1	B2	D1 ∅ ±0,5	D2 ∅ ±0,5	D3	D4 ∅	D5 ∅	L1	L2	L3	L4	L5	L6	L7 max.	⊕ 1	
FMA-63-0,25-C	72	86	61,8	68,8	G1/4	9,5	5	54,5	±1	±0,5	+0,3	2	2	6,2	10	14

Ordering data

Ordering data – nominal size 40

Pneumatic connection	Indicating range	Indicating range	Product weight	Part no.	Type
G1/4	0 ... 10 bar	0 ... 145 psi	80 g	159596	FMA-40-10-1/4-EN
	0 ... 16 bar	0 ... 232 psi		159597	FMA-40-16-1/4-EN

Ordering data – nominal size 50

Pneumatic connection	Indicating range	Indicating range	Product weight	Part no.	Type
G1/4	0 ... 2.5 bar	0 ... 36.25 psi	100 g	159598	FMA-50-2,5-1/4-EN
	0 ... 10 bar	0 ... 145 psi		159599	FMA-50-10-1/4-EN
	0 ... 16 bar	0 ... 232 psi		159600	FMA-50-16-1/4-EN

Ordering data – nominal size 63

Pneumatic connection	Indicating range	Indicating range	Product weight	Part no.	Type
G1/4	0 ... 0.25 bar	0 ... 3.6 psi	120 g	225783	FMA-63-0,25-C
	0 ... 2.5 bar	0 ... 36.25 psi		159601	FMA-63-2,5-1/4-EN
	0 ... 10 bar	0 ... 145 psi		159602	FMA-63-10-1/4-EN
	0 ... 16 bar	0 ... 232 psi		159603	FMA-63-16-1/4-EN