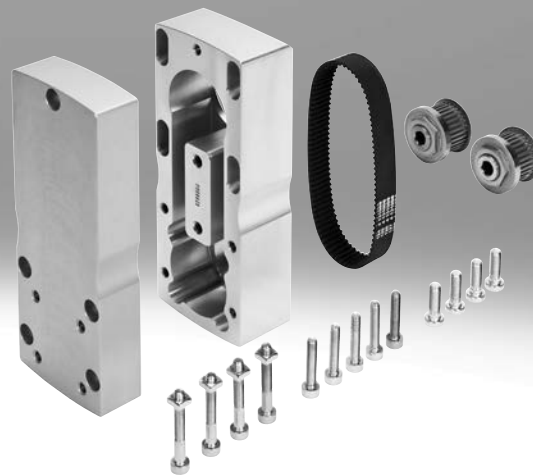


Parallel kits EAMM-U

FESTO



Festo Core Range
Covers the majority of your automation tasks

Worldwide:
Superb:
Easy:

Always in stock
Festo quality at an attractive price
Simplified procurement and warehousing

★ Generally ready for shipping ex works in 24 hours
In stock at 13 Service Centres worldwide
More than 2200 products

☆ Generally ready for shipping ex works in 5 days
Assembled for you at 4 Service Centres worldwide
Up to 6×10^{12} variants per product family

Just look
for the
star!

Key features

At a glance

The following kits are used for coupling motors and axes. The couplings transmit the drive energy of the motor to the axes via a belt. They can be connected to Festo motors or third-party motors.

The selection provides you with an overview of possible combinations. The "Electric Motion Sizing" planning tool helps you to find the right combination.

Electric Motion Sizing

Configuring electromechanical drives



Create the optimum drive package quickly and reliably. Electric Motion Sizing calculates suitable combinations of electric axis, electric motor and servo drive using just a few application details. It provides all the relevant data including the bill of materials and documentation for your selected combination. This avoids design errors and results in significantly improved energy efficiency for the system. A smooth connection to the Festo Automation Suite also makes commissioning easier for you.

To find out more, go to www.festo.com/ems

Find the right axis/motor combination with third-party motors fast

Select the required axis and note the code in the "Motor interface" column

Zulässige Achs-/Motor-Kombinationen mit Elektrozyliner ESBF



Schnittstellentabelle für Fremdmotoren
 → ab Seite 67
 Technische Daten für Axialbausätze
 → ab Seite 72

Motor/Getriebe ^①	Schnittstelle	Axialbausatz	
Typ	Motor	Teile-Nr.	Typ
ESBF-32			
mit Servomotor			
EMME-AS-40-...	40P	1976465	EAMM-A-D32-40P
		2207372	EAMM-A-D32-40P-S1 ^②
EMMS-AS-40-... Fremdmotor			
	40A	543147	EAMM-A-D32-40A
		1322178	EAMM-A-D32-40A-S1 ^②

Look for the interface code in the interface table for third-party motors (→ from page 60) and check if the required third-party motor is listed

Fremdmotoren und Fremdgetriebe		
Schnittstelle	Hersteller	Typ
Fremdmotoren		
SBAA	SEW Eurodrive	CMP40; CMP40S/M
	Bosch Rexroth	MKD 025; MSK030B; MSK030C; MSK03x
	Danaher Motion	AKM21 AC; AKM21 AN; AKM22 AC; AKM22 AN; AKM23 AC; AKM23 AN; AKM24 AC; AKM24 AN; AKM2x-AC/AN
	Beckhoff	AM3021; AM3022; AM3023; AM3024
	Bi-R Automation	BSA2
60AA	Mitsubishi	AKM21; AKM21x-Ax; AKM22; AKM22x-Ax; AKM23; AKM23x-Ax; AKM24; AKM24x-Ax
	Fastech	EzM2-60S/M/L

- - Note

Depending on the combination of motor and drive, it may not be possible to reach the maximum feed force of the drive in certain circumstances. When using parallel kits, the no-load driving torque of the particular kit must be taken into consideration.

Key features

Type	For axis	Can be mounted	Transmission ratio	Description	→ Page
EAMM-U-...-D	<ul style="list-style-type: none"> • Electric cylinder ESBF • Mini slide EGSL 	In all directions	$i = 1$	<ul style="list-style-type: none"> • Optionally with degree of protection IP65 	4
EAMM-U-...-S	<ul style="list-style-type: none"> • Spindle axis ELGA-BS • Spindle axis EGC-BS • Spindle axis EGC-HD-BS 	In all directions	$i = 1$	<ul style="list-style-type: none"> • To support the axis shaft, a counter bearing EAMG and a clamping sleeve EAMH-...-P with integrated trunnion are included in the scope of delivery for the parallel kit 	4
EAMM-U-...-V/T	<ul style="list-style-type: none"> • Electric cylinder EPCC • Mini slide EGSC-BS • Spindle axis ELGC-BS • Spindle axis ELGT-BS 	In all directions	$i = 1$	–	46
EAMM-U-E/-D	<ul style="list-style-type: none"> • Mini slide EGSL 	Can only be mounted at the side and underneath	$i = 1$	–	56

Accessories for parallel kit EAMM-U-...-D/S

Clamping element EADT

→ Page 41



For adjusting the toothed belt pretension with EAMM-U-110 and EAMM-U-145. The motor is pushed away from the axis mechanism by turning the clamping element secured in a hole in the housing (the motor can be moved in a slot for this purpose). This enables high toothed belt pretension forces to be generated with low torques at the clamping element.

Counter bearing EAMG

→ Page 42



A counter bearing EAMG reduces the load on the axis or motor bearings to improve the service life under high loads. For every counter bearing, an additional clamping sleeve EAMH-...-P is required.

Clamping sleeve EAMH-...-P

→ Page 43



To retrofit the counter bearing, the clamping sleeve without trunnion included in the parallel kit as standard must be replaced by the clamping sleeve EAMH-...-P with integrated trunnion.

Clamping sleeve EAMH-...

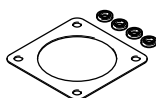
→ Page 44



Spring pins for adapting third-party motors with deviating shaft diameters to the parallel kits.

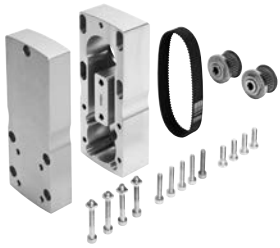
Seal set EADS-F-...

→ Page 45



Spare part for sealed parallel kit EAMM-U-...-S1, between motor and kit

Overview of interfaces



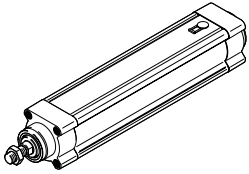
Axis mechanism interface	
D19	EGSL-35
D32	ESBF-32, EGSL-45
D40	ESBF-40, EGSL-55
D50	ESBF-50
D60	EGSL-75, ESBF-63
D80	ESBF-80
D100	ESBF-100
S38	ELGA-BS-70, EGC-70-BS, EGC-HD-125-BS
S48	ELGA-BS-80, EGC-80-BS, EGC-HD-160-BS
S62	ELGA-BS-120, EGC-120-BS, EGC-HD-220-BS
S95	ELGA-BS-150, EGC-185-BS

50GA	Third-party gear unit
68GA	Third-party gear unit
70GA	Third-party gear unit
90GA	Third-party gear unit
120GA	Third-party gear unit
126AA	Third-party gear unit

Motor interface	
38AA	Third-party motor
40A	Third-party motor
40P	Servo motor EMME-AS-40
40R	Third-party motor
40RA	Third-party motor
42A	Stepper motor EMMS-ST-42
57A	Stepper motor EMMS-ST-57
55A	Third-party motor
57AA	Third-party motor
57AC	Third-party motor
58AA	Third-party motor
60AA	Third-party motor
60P	Servo motor EMMT-AS-60, EMME-AS-60, third-party motor
60PA	Third-party motor
60R	Third-party motor
60RA	Third-party motor
60RB	Third-party motor
67A	Integrated drive EMCA-EC-67
70A	Third-party motor
70AA	Third-party motor
70AB	Third-party motor
80P	Servo motor EMMT-AS-80, EMME-AS-80
80PB	Third-party motor
80R	Third-party motor
82AA	Third-party motor
84AA	Third-party motor
87A	Stepper motor EMMS-ST-87, third-party motor
88A	Third-party motor
100A	Servo motor EMMT-AS-100, EMME-AS-100
140A	Servo motor EMMS-AS-140
150A	Servo motor EMMT-AS-150
126AA	Third-party motor
40G	Gear unit EMGA-40
60G	Gear unit EMGA-60-P-...-SAS/SST
60H	Gear unit EMGA-60-P-...-EAS, EMGC-60-P
80G	Gear unit EMGA-80
120G	Gear unit EMGA-120

Product range overview

Permissible axis/motor combinations with electric cylinder ESBF



- The kit can be mounted in all directions
- Optionally with degree of protection IP65
- Table of interfaces for third-party motors → from page 60

Motor/gear unit ²⁾ Type	Motor interface	Parallel kit	
		Part no.	Type
ESBF-32			
With servo motor			
Third-party motor	38AA	8058924	EAMM-U-50-D32-38AA-78
EMME-AS-40-..., EMMB-AS-40	40P	8164734	EAMM-U-50-D32-40P-48 ⁴⁾
EMME-AS-40-...	40P	★ 2153283	EAMM-U-50-D32-40P-78
		2154009	EAMM-U-50-D32-40P-78-S1 ¹⁾
Third-party motor	40A	1201591	EAMM-U-50-D32-40A-78
		1202302	EAMM-U-50-D32-40A-78-S1 ¹⁾
Third-party motor	40R	1201662	EAMM-U-50-D32-40R-78
Third-party motor	40RA	8058925	EAMM-U-50-D32-40RA-78
Third-party motor	55A	1210126	EAMM-U-60-D32-55A-91
		1210450	EAMM-U-60-D32-55A-91-S1 ¹⁾
Third-party motor	58AA	8058930	EAMM-U-60-D32-58AA-91
EMMT-AS-60-..., EMME-AS-60-..., EMMB-AS-60, third-party motor	60P	8125069	EAMM-U-60-D32-60P-91
Third-party motor	60R	1210434	EAMM-U-60-D32-60R-91
		1210455	EAMM-U-60-D32-60R-91-S1 ¹⁾
Third-party motor	60RA	8123497	EAMM-U-60-D32-60RA-91
Third-party motor	60RB	8058932	EAMM-U-60-D32-60RB-91
EMMT-AS-60-..., EMME-AS-60-..., third-party motor	60P	★ 2619586	EAMM-U-70-D32-60P-96
		2619688	EAMM-U-70-D32-60P-96-S1 ¹⁾
Third-party motor	70A	2755565	EAMM-U-70-D32-70A-96
		2781711	EAMM-U-70-D32-70A-96-S1 ¹⁾
Third-party motor	70AA	8123499	EAMM-U-70-D32-70AA-96
With stepper motor			
EMMS-ST-42-...	42A	★ 1201607	EAMM-U-50-D32-42A-78
		1202312	EAMM-U-50-D32-42A-78-S1 ¹⁾
EMMS-ST-57-...	57A	★ 1210419	EAMM-U-60-D32-57A-91
		1210453	EAMM-U-60-D32-57A-91-S1 ¹⁾
Third-party motor	57AC	8058929	EAMM-U-60-D32-57AC-91
Third-party motor	60AA	8123498	EAMM-U-60-D32-60AA-91
With integrated drive			
EMCA-EC-67-...	67A	1577063	EAMM-U-60-D32-67A-91
		1529422	EAMM-U-60-D32-67A-91-S1

- 1) With degree of protection IP65
- 2) The input torque must not exceed the max. permissible transferable torque of the parallel kit.
- 3) Gear unit output shaft diameter: EMGA-60-P-...SAS/SST: 11 mm; EMGA-60-P-...EAS, EMGC-60-P: 14 mm
- 4) The counter bearing EAMG cannot be used in combination with this parallel kit.

Note

The seal for EAMM-U-...S1 reduces the heat dissipation between the motor and the flange. Note the derating of the motor.

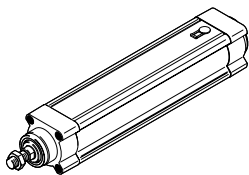
Festo Core Range



Generally ready for shipping ex works in 24 hours
Generally ready for shipping ex works in 5 days

Product range overview

Permissible axis/motor combinations with electric cylinder ESBF



- The kit can be mounted in all directions
- Optionally with degree of protection IP65
- Table of interfaces for third-party motors → from page 60

Motor/gear unit ²⁾ Type	Motor interface	Parallel kit	
		Part no.	Type
ESBF-32			
With gear unit			
EMGA-40-P-...	40G	1577358	EAMM-U-60-D32-40G-91
EMGC-40-P-...		1577346	EAMM-U-60-D32-40G-91-S1 ¹⁾
EMGA-60-P-...-EAS, EMGC-60-P-... ³⁾ , third-party gear unit	60H	2778393	EAMM-U-70-D32-60H-96
		2781450	EAMM-U-70-D32-60H-96-S1 ¹⁾
EMGA-60-P-...-SAS/SST ³⁾	60G	2748181	EAMM-U-70-D32-60G-96
		2778302	EAMM-U-70-D32-60G-96-S1 ¹⁾
Third-party gear unit	68GA	8058951	EAMM-U-70-D32-68GA-96
ESBF-40			
With servo motor			
Third-party motor	40R	8058934	EAMM-U-60-D40-40R-91
Third-party motor	55A	1210438	EAMM-U-60-D40-55A-91
		1210458	EAMM-U-60-D40-55A-91-S1 ¹⁾
Third-party motor	58AA	8058940	EAMM-U-60-D40-58AA-91
EMMT-AS-60-..., EMME-AS-60-..., third-party motor	60P	★ 2617488	EAMM-U-70-D40-60P-96
		2546123	EAMM-U-70-D40-60P-96-S1 ¹⁾
Third-party motor	60PA	8058972	EAMM-U-86-D40-60PA-102
EMMT-AS-60-..., EMME-AS-60-...	60P	8164735	EAMM-U-60-D40-60P-61 ⁴⁾
Third-party motor	60R	1210446	EAMM-U-60-D40-60R-91
		1210466	EAMM-U-60-D40-60R-91-S1 ¹⁾
Third-party motor	60RA	8058952	EAMM-U-70-D40-60RA-96
Third-party motor	70A	2786204	EAMM-U-70-D40-70A-96
		2786316	EAMM-U-70-D40-70A-96-S1 ¹⁾
Third-party motor	70A	1212826	EAMM-U-86-D40-70A-102
		1212854	EAMM-U-86-D40-70A-102-S1 ¹⁾
Third-party motor	70AA, 70AB	8058973	EAMM-U-86-D40-70AA-102
EMMT-AS-80-..., EMME-AS-80-...	80P	★ 2802441	EAMM-U-86-D40-80P-102
		2802656	EAMM-U-86-D40-80P-102-S1 ¹⁾
Third-party motor	80PB	8123501	EAMM-U-86-D40-80PB-102
Third-party motor	82AA	8058975	EAMM-U-86-D40-82AA-102
Third-party motor	84AA	8058976	EAMM-U-86-D40-84AA-102
Third-party motor	88A	1362229	EAMM-U-86-D40-88A-102
With stepper motor			
EMMS-ST-57-...	57A	★ 1210442	EAMM-U-60-D40-57A-91
		1210462	EAMM-U-60-D40-57A-91-S1 ¹⁾
Third-party motor	57AC	8058939	EAMM-U-60-D40-57AC-91
EMMS-ST-87-..., third-party motor	87A	★ 1215802	EAMM-U-86-D40-87A-102
		1215814	EAMM-U-86-D40-87A-102-S1 ¹⁾

1) With degree of protection IP65
 2) The input torque must not exceed the max. permissible transferable torque of the parallel kit.
 3) Gear unit output shaft diameter: EMGA-60-P-...-SAS/SST: 11 mm; EMGA-60-P-...-EAS, EMGC-60-P-...
 4) The counter bearing EAMG cannot be used in combination with this parallel kit.

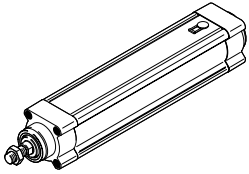
Note

The seal for EAMM-U-...-S1 reduces the heat dissipation between the motor and the flange. Note the derating of the motor.

Festo Core Range
 ★ Generally ready for shipping ex works in 24 hours
 ★ Generally ready for shipping ex works in 5 days

Product range overview

Permissible axis/motor combinations with electric cylinder ESBF



- The kit can be mounted in all directions
- Optionally with degree of protection IP65
- Table of interfaces for third-party motors → from page 60

Motor/gear unit ²⁾ Type	Motor interface	Parallel kit	
		Part no.	Type
ESBF-40			
With integrated drive			
EMCA-EC-67-...	67A	1577083	EAMM-U-60-D40-67A-91
		1435249	EAMM-U-60-D40-67A-91-S1
With gear unit			
EMGA-40-P-...	40G	1577165	EAMM-U-60-D40-40G-91
EMGC-40-P-...		1435968	EAMM-U-60-D40-40G-91-S1 ¹⁾
Third-party gear unit	50GA	8058935	EAMM-U-60-D40-50GA-91
EMGA-60-P-...-EAS, EMGC-60-P-... ³⁾ , third-party gear unit	60H	2786101	EAMM-U-70-D40-60H-96
		2786137	EAMM-U-70-D40-60H-96-S1 ¹⁾
EMGA-60-P-...-SAS/SST ³⁾	60G	2785471	EAMM-U-70-D40-60G-96
		2785542	EAMM-U-70-D40-60G-96-S1 ¹⁾
EMGA-60-P-...-EAS, EMGC-60-P-... ³⁾ , third-party gear unit	60H	1586496	EAMM-U-86-D40-60H-102
		1586372	EAMM-U-86-D40-60H-102-S1 ¹⁾
EMGA-60-P-...-SAS/SST ³⁾	60G	1586445	EAMM-U-86-D40-60G-102
		1586429	EAMM-U-86-D40-60G-102-S1 ¹⁾
Third-party gear unit	68GA	8058954	EAMM-U-70-D40-68GA-96
ESBF-50			
With servo motor			
Third-party motor	60P	8123171	EAMM-U-70-D50-60P-96
Third-party motor	60RA	8058963	EAMM-U-70-D50-60RA-96
Third-party motor	70A	2786899	EAMM-U-70-D50-70A-96
		2756078	EAMM-U-70-D50-70A-96-S1 ¹⁾
EMMT-AS-80-..., EMME-AS-80-...	80P	★ 2803053	EAMM-U-86-D50-80P-102
		2803073	EAMM-U-86-D50-80P-102-S1 ¹⁾
Third-party motor	80PB	8107089	EAMM-U-86-D50-80PB-102
Third-party motor	84AA	8107241	EAMM-U-110-D50-84AA-120
EMMT-AS-100-..., EMME-AS-100-...	100A	2799424	EAMM-U-110-D50-100A-120
		2799488	EAMM-U-110-D50-100A-120-S1 ¹⁾

1) With degree of protection IP65

2) The input torque must not exceed the max. permissible transferable torque of the parallel kit.

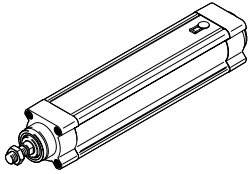
3) Gear unit output shaft diameter: EMGA-60-P-...-SAS/SST: 11 mm; EMGA-60-P-...-EAS, EMGC-60-P: 14 mm

Note

The seal for EAMM-U-...-S1 reduces the heat dissipation between the motor and the flange. Note the derating of the motor.

Product range overview

Permissible axis/motor combinations with electric cylinder ESBF



- The kit can be mounted in all directions
- Optionally with degree of protection IP65
- Table of interfaces for third-party motors → from page 60

Motor/gear unit ²⁾	Motor interface	Parallel kit	
Type		Part no.	Type
ESBF-50			
With stepper motor			
EMMS-ST-87-..., third-party motor	87A	2802708	EAMM-U-86-D50-87A-102
		2802742	EAMM-U-86-D50-87A-102-S1 ¹⁾
With gear unit			
EMGA-60-P-...-EAS, EMGC-60-P-... ³⁾ , third-party gear unit	60H	2803326	EAMM-U-86-D50-60H-102
		2803325	EAMM-U-86-D50-60H-102-S1 ¹⁾
EMGA-60-P-...-SAS/SST ³⁾	60G	2803125	EAMM-U-86-D50-60G-102
		2803197	EAMM-U-86-D50-60G-102-S1 ¹⁾
EMGA-60-P-...-EAS, EMGC-60-P-... ³⁾ , third-party gear unit	60H	2798760	EAMM-U-110-D50-60H-120
		2799150	EAMM-U-110-D50-60H-120-S1 ¹⁾
EMGA-60-P-...-SAS/SST ³⁾	60G	2797368	EAMM-U-110-D50-60G-120
		2798665	EAMM-U-110-D50-60G-120-S1 ¹⁾
Third-party gear unit	68GA	8058965	EAMM-U-70-D50-68GA-96
Third-party gear unit	70GA	8107044	EAMM-U-86-D50-70GA-102
EMGA-80-P-...	80G	2799196	EAMM-U-110-D50-80G-120
		2799281	EAMM-U-110-D50-80G-120-S1 ¹⁾
Third-party gear unit	120GA	8059040	EAMM-U-110-D50-120GA-120
ESBF-63			
With servo motor			
Third-party motor	55A	8058979	EAMM-U-86-D60-55A-102
Third-party motor	58AA	8058981	EAMM-U-86-D60-58AA-102
EMMT-AS-60-..., EMME-AS-60-..., third-party motor	60P	8058982	EAMM-U-86-D60-60P-102
Third-party motor	60PA	8058983	EAMM-U-86-D60-60PA-102
Third-party motor	60RB	8058986	EAMM-U-86-D60-60RB-102
Third-party motor	70A	1212477	EAMM-U-86-D60-70A-102
		1212835	EAMM-U-86-D60-70A-102-S1 ¹⁾
Third-party motor	70AA, 70AB	8058988	EAMM-U-86-D60-70AA-102
EMMT-AS-80-..., EMME-AS-80-...	80P	2155875	EAMM-U-86-D60-80P-102
		2156527	EAMM-U-86-D60-80P-102-S1 ¹⁾

1) With degree of protection IP65

2) The input torque must not exceed the max. permissible transferable torque of the parallel kit.

3) Gear unit output shaft diameter: EMGA-60-P-...-SAS/SST: 11 mm; EMGA-60-P-...-EAS, EMGC-60-P-: 14 mm

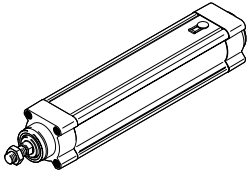
Note

Clamping element EADT for adjusting the toothed belt pretension for EAMM-U-110 and EAMM-U-145 → page 41

The seal for EAMM-U-...-S1 reduces the heat dissipation between the motor and the flange. Note the derating of the motor.

Product range overview

Permissible axis/motor combinations with electric cylinder ESBF




- The kit can be mounted in all directions
- Optionally with degree of protection IP65
- Table of interfaces for third-party motors → from page 60

Motor/gear unit ²⁾ Type	Motor interface	Parallel kit	
		Part no.	Type
ESBF-63			
With servo motor			
Third-party motor	80PB	8107722	EAMM-U-86-D60-80PB-102
Third-party motor	82AA	8058992	EAMM-U-86-D60-82AA-102
Third-party motor	84AA	8058993	EAMM-U-86-D60-84AA-102
Third-party motor	84AA	8059043	EAMM-U-110-D60-84AA-120
Third-party motor	88A	1441042	EAMM-U-86-D60-88A-102
Third-party motor	88A	8059044	EAMM-U-110-D60-88A-120
Third-party motor	90R	1202981	EAMM-U-110-D60-90R-120
		1203181	EAMM-U-110-D60-90R-120-S1 ¹⁾
EMMT-AS-100-..., EMME-AS-100-...	100A	1202436	EAMM-U-110-D60-100A-120 ¹⁾
		1203112	EAMM-U-110-D60-100A-120-S1 ¹⁾
With stepper motor			
Third-party motor	57AA	8058980	EAMM-U-86-D60-57AA-102
EMMS-ST-87-..., third-party motor	87A	★ 1215784	EAMM-U-86-D60-87A-102
		1215810	EAMM-U-86-D60-87A-102-S1 ¹⁾
With gear unit			
EMGA-60-P-...-SAS/SST ³⁾	60G	1586347	EAMM-U-86-D60-60G-102
		1437163	EAMM-U-86-D60-60G-102-S1 ¹⁾
EMGA-60-P-...-EAS, EMGC-60-P-... ³⁾ , third-party gear unit	60H	1586276	EAMM-U-86-D60-60H-102
		1530837	EAMM-U-86-D60-60H-102-S1 ¹⁾
EMGA-60-P-...-SAS/SST ³⁾	60G	1543240	EAMM-U-110-D60-60G-120
		1436183	EAMM-U-110-D60-60G-120-S1 ¹⁾
EMGA-60-P-...-EAS, EMGC-60-P-... ³⁾ , third-party gear unit	60H	1542264	EAMM-U-110-D60-60H-120
		1530621	EAMM-U-110-D60-60H-120-S1 ¹⁾
Third-party gear unit	70GA	8058990	EAMM-U-86-D60-70GA-102
EMGA-80-P-...	80G	1532949	EAMM-U-110-D60-80G-120
		1530875	EAMM-U-110-D60-80G-120-S1 ¹⁾
Third-party gear unit	90GA	8107723	EAMM-U-110-D60-90GA-120
Third-party gear unit	120GA	8059046	EAMM-U-110-D60-120GA-120

1) With degree of protection IP65

2) The input torque must not exceed the max. permissible transferable torque of the parallel kit.

3) Gear unit output shaft diameter: EMGA-60-P-...-SAS/SST: 11 mm; EMGA-60-P-...-EAS, EMGC-60-P: 14 mm

–  – **Note**

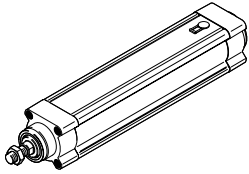
Clamping element EADT for adjusting the toothed belt pretension for EAMM-U-110 and EAMM-U-145 → page 41

The seal for EAMM-U-...-S1 reduces the heat dissipation between the motor and the flange. Note the derating of the motor.



Product range overview


Permissible axis/motor combinations with electric cylinder ESBF



- The kit can be mounted in all directions
- Optionally with degree of protection IP65
- Table of interfaces for third-party motors → from page 60

Motor/gear unit ²⁾ Type	Motor interface	Parallel kit	
		Part no.	Type
ESBF-80			
With servo motor			
Third-party motor	84AA	8059048	EAMM-U-110-D80-84AA-120
EMMT-AS-100-..., EMME-AS-100-..., EMMS-AS-140-...	100A	1465438	EAMM-U-110-D80-100A-120
		1433650	EAMM-U-110-D80-100A-120-S1 ¹⁾
Third-party motor	126AA	8059069	EAMM-U-145-D80-126AA-188
EMMS-AS-140-..., EMMT-AS-150-...	140A, 150A	1465530	EAMM-U-145-D80-140A-188
		1433709	EAMM-U-145-D80-140A-188-S1 ¹⁾
EMMS-AS-140-..., EMMT-AS-150-...	140A, 150A	8157285	EAMM-U-145-D80-150A-188
		8157286	EAMM-U-145-D80-150A-188-S1 ¹⁾
With gear unit			
EMGA-80-P-...	80G	1589614	EAMM-U-110-D80-80G-120
		1589706	EAMM-U-110-D80-80G-120-S1 ¹⁾
Third-party gear unit	90GA	8105897	EAMM-U-145-D80-90GA-188
Third-party gear unit	120GA	8059050	EAMM-U-110-D80-120GA-120
ESBF-100			
With servo motor			
EMMS-AS-140-...	140A	1465541	EAMM-U-145-D100-140A-188
		1433852	EAMM-U-145-D100-140A-188-S1 ¹⁾
EMMS-AS-140-..., EMMT-AS-150-...	140A, 150A	8157283	EAMM-U-145-D100-150A-188
		8157284	EAMM-U-145-D100-150A-188-S1 ¹⁾
With gear unit			
EMGA-120-P-...	120G	2803620	EAMM-U-145-D100-120G-188
		2803622	EAMM-U-145-D100-120G-188-S1 ¹⁾

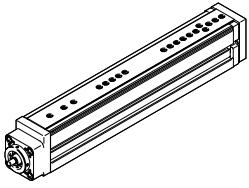
- 1) With degree of protection IP65
 2) The input torque must not exceed the max. permissible transferable torque of the parallel kit.
 3) Gear unit output shaft diameter: EMGA-60-P-...SAS/SST: 11 mm; EMGA-60-P-...EAS, EMGC-60-P: 14 mm

 **Note**

Clamping element EADT for adjusting the toothed belt pretension for EAMM-U-110 and EAMM-U-145 → page 41
 The seal for EAMM-U-...-S1 reduces the heat dissipation between the motor and the flange. Note the derating of the motor.

Product range overview

Permissible axis/motor combinations with mini slide EGSL



- The kit can be mounted in all directions
- Table of interfaces for third-party motors → from page 60

Motor/gear unit ¹⁾ Type	Motor interface	Parallel kit	
		Part no.	Type
EGSL-35			
With servo motor			
Third-party motor	38AA	8107032	EAMM-U-50-D19-38AA-78
Third-party motor	40R	8107034	EAMM-U-50-D19-40R-78
EGSL-45			
With servo motor			
Third-party motor	38AA	8058924	EAMM-U-50-D32-38AA-78
Third-party motor	40A	1201591	EAMM-U-50-D32-40A-78
EMME-AS-40-..., EMMB-AS-40	40P	8164734	EAMM-U-50-D32-40P-48 ³⁾
EMME-AS-40-...	40P	★ 2153283	EAMM-U-50-D32-40P-78
Third-party motor	40RA	8058925	EAMM-U-50-D32-40RA-78
Third-party motor	55A	1210126	EAMM-U-60-D32-55A-91
Third-party motor	58AA	8058930	EAMM-U-60-D32-58AA-91
EMMT-AS-60-..., EMME-AS-60-..., EMMB-AS-60, third-party motor	60P	8125069	EAMM-U-60-D32-60P-91
EMMT-AS-60-..., EMME-AS-60-..., third-party motor	60P	★ 2619586	EAMM-U-70-D32-60P-96
Third-party motor	60RA	8123497	EAMM-U-60-D32-60RA-91
Third-party motor	60RB	8058932	EAMM-U-60-D32-60RB-91
Third-party motor	70A	2755565	EAMM-U-70-D32-70A-96
Third-party motor	70AA	8123499	EAMM-U-70-D32-70AA-96
With stepper motor			
EMMS-ST-42-...	42A	★ 1201607	EAMM-U-50-D32-42A-78
EMMS-ST-57-...	57A	★ 1210419	EAMM-U-60-D32-57A-91
Third-party motor	57AC	8058929	EAMM-U-60-D32-57AC-91
Third-party motor	60AA	8123498	EAMM-U-60-D32-60AA-91
With integrated drive			
EMCA-EC-67-...	67A	1577063	EAMM-U-60-D32-67A-91
With gear unit			
EMGA-40-P-...	40G	1577358	EAMM-U-60-D32-40G-91
EMGC-40-P-...			
EMGA-60-P-...-SAS/SST ²⁾	60G	2748181	EAMM-U-70-D32-60G-96
EMGA-60-P-...-EAS, EMGC-60-P-... ²⁾ , third-party gear unit	60H	2778393	EAMM-U-70-D32-60H-96
Third-party gear unit	68GA	8058951	EAMM-U-70-D32-68GA-96

1) The input torque must not exceed the max. permissible transferable torque of the parallel kit.

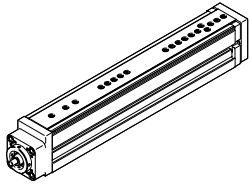
2) Gear unit output shaft diameter: EMGA-60-P-...-SAS/SST: 11 mm; EMGA-60-P-...-EAS, EMGC-60-P: 14 mm

3) The counter bearing EAMG cannot be used in combination with this parallel kit.



Product range overview

Permissible axis/motor combinations with mini slide EGSL



- The kit can be mounted in all directions
- Table of interfaces for third-party motors → from page 60

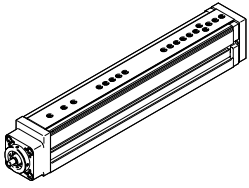
Motor/gear unit ¹⁾ Type	Motor interface	Parallel kit	
		Part no.	Type
EGSL-55			
With servo motor			
Third-party motor	55A	1210438	EAMM-U-60-D40-55A-91
EMMT-AS-60-..., EMME-AS-60-..., third-party motor	60P	★ 2617488	EAMM-U-70-D40-60P-96
Third-party motor	70A	2786204	EAMM-U-70-D40-70A-96
Third-party motor	70A	1212826	EAMM-U-86-D40-70A-102
EMMT-AS-80-..., EMME-AS-80-...	80P	2802441	EAMM-U-86-D40-80P-102
Third-party motor	40R	8058934	EAMM-U-60-D40-40R-91
Third-party motor	58AA	8058940	EAMM-U-60-D40-58AA-91
EMMT-AS-60-..., EMME-AS-60-...	60P	8164735	EAMM-U-60-D40-60P-61 ³⁾
Third-party motor	60R	1210446	EAMM-U-60-D40-60R-91
Third-party motor	60RA	8058952	EAMM-U-70-D40-60RA-96
Third-party motor	60PA	8058972	EAMM-U-86-D40-60PA-102
Third-party motor	70AA, 70AB	8058973	EAMM-U-86-D40-70AA-102
Third-party motor	80PB	8123501	EAMM-U-86-D40-80PB-102
Third-party motor	82AA	8058975	EAMM-U-86-D40-82AA-102
Third-party motor	84AA	8058976	EAMM-U-86-D40-84AA-102
Third-party motor	88A	1362229	EAMM-U-86-D40-88A-102
With stepper motor			
EMMS-ST-57-...	57A	★ 1210442	EAMM-U-60-D40-57A-91
EMMS-ST-87-..., third-party motor	87A	★ 1215802	EAMM-U-86-D40-87A-102
Third-party motor	57AC	8058939	EAMM-U-60-D40-57AC-91
With integrated drive			
EMCA-EC-67...	67A	1577083	EAMM-U-60-D40-67A-91
With gear unit			
EMGA-40-P-...	40G	1577165	EAMM-U-60-D40-40G-91
EMGC-40-P-...			
EMGA-60-P-...-SAS/SST ²⁾	60G	2785471	EAMM-U-70-D40-60G-96
EMGA-60-P-...-EAS	60H	2786101	EAMM-U-70-D40-60H-96
EMGC-60-P-... ²⁾ , third-party gear unit			
EMGA-60-P-...-SAS/SST ²⁾	60G	1586445	EAMM-U-86-D40-60G-102
EMGA-60-P-...-EAS, EMGC-60-P-... ²⁾ , third-party gear unit	60H	1586496	EAMM-U-86-D40-60H-102
Third-party gear unit	50GA	8058935	EAMM-U-60-D40-50GA-91
Third-party gear unit	68GA	8058954	EAMM-U-70-D40-68GA-96

- 1) The input torque must not exceed the max. permissible transferable torque of the parallel kit.
- 2) Gear unit output shaft diameter: EMGA-60-P-...-SAS/SST: 11 mm; EMGA-60-P-...-EAS, EMGC-60-P: 14 mm
- 3) The counter bearing EAMG cannot be used in combination with this parallel kit.



Product range overview

Permissible axis/motor combinations with mini slide EGSL

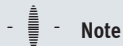


- The kit can be mounted in all directions
- Table of interfaces for third-party motors → from page 60

Motor/gear unit ¹⁾ Type	Motor interface	Parallel kit	
		Part no.	Type
EGSL-75			
With servo motor			
Third-party motor	55A	8058979	EAMM-U-86-D60-55A-102
EMMT-AS-60-..., EMME-AS-60-..., third-party motor	60P	8058982	EAMM-U-86-D60-60P-102
Third-party motor	70A	1212477	EAMM-U-86-D60-70A-102
EMMT-AS-80-..., EMME-AS-80-...	80P	★ 2155875	EAMM-U-86-D60-80P-102
EMMT-AS-100-..., EMME-AS-100-...	100A	1202436	EAMM-U-110-D60-100A-120
Third-party motor	58AA	8058981	EAMM-U-86-D60-58AA-102
Third-party motor	60PA	8058983	EAMM-U-86-D60-60PA-102
Third-party motor	60RB	8058986	EAMM-U-86-D60-60RB-102
Third-party motor	70AA, 70AB	8058988	EAMM-U-86-D60-70AA-102
Third-party motor	80PB	8107722	EAMM-U-86-D60-80PB-102
Third-party motor	82AA	8058992	EAMM-U-86-D60-82AA-102
Third-party motor	84AA	8058993	EAMM-U-86-D60-84AA-102
Third-party motor	88A	1441042	EAMM-U-86-D60-88A-102
Third-party motor	84AA	8059043	EAMM-U-110-D60-84AA-120
Third-party motor	88A	8059044	EAMM-U-110-D60-88A-120
With stepper motor			
Third-party motor	57AA	8058980	EAMM-U-86-D60-57AA-102
EMMS-ST-87-..., third-party motor	87A	★ 1215784	EAMM-U-86-D60-87A-102
With gear unit			
EMGA-60-P-...-SAS/SST ²⁾	60G	1536988	EAMM-U-86-D60-60G-102
EMGA-60-P-...-EAS, EMGC-60-P-... ²⁾ , third-party gear unit	60H	1536988	EAMM-U-86-D60-60H-102
EMGA-60-P-...-SAS/SST ²⁾	60G	1543240	EAMM-U-110-D60-60G-120
EMGA-60-P-...-EAS, EMGC-60-P-... ²⁾ , third-party gear unit	60H	1542264	EAMM-U-110-D60-60H-120
EMGA-80-P-...	80G	1532949	EAMM-U-110-D60-80G-120
Third-party gear unit	70GA	8058990	EAMM-U-86-D60-70GA-102
Third-party gear unit	90GA	8107723	EAMM-U-110-D60-90GA-120
Third-party gear unit	120GA	8059046	EAMM-U-110-D60-120GA-120

1) The input torque must not exceed the max. permissible transferable torque of the parallel kit.

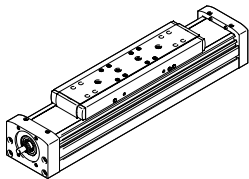
2) Gear unit output shaft diameter: EMGA-60-P-...-SAS/SST: 11 mm; EMGA-60-P-...-EAS, EMGC-60-P: 14 mm

**Note**

Clamping element EADT for adjusting the toothed belt pretension for EAMM-U-110 and EAMM-U-145 → page 41

Product range overview

Permissible axis/motor combinations with spindle axis ELGA-BS



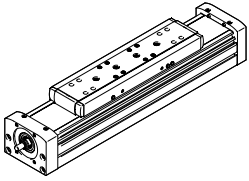
- The kit can be mounted in all directions
- To support the axis shaft, a counter bearing EAMG and a clamping sleeve EAMH-...-P with integrated trunnion are included in the scope of delivery for the parallel kit
- Table of interfaces for third-party motors → from page 60

Motor/gear unit ¹⁾	Motor interface	Parallel kit	
Type		Part no.	Type
ELGA-BS-...-70			
With servo motor			
Third-party motor	38AA	8058926	EAMM-U-50-S38-38AA-78
Third-party motor	40A	1217708	EAMM-U-50-S38-40A-78
EMME-AS-40-...	40P	★ 2155239	EAMM-U-50-S38-40P-78
Third-party motor	40R	8058943	EAMM-U-60-S38-40R-91
Third-party motor	55A	1218538	EAMM-U-60-S38-55A-91
Third-party motor	58AA	8058947	EAMM-U-60-S38-58AA-91
Third-party motor	60P	8125092	EAMM-U-60-S38-60P-91
Third-party motor	60RA	8058948	EAMM-U-60-S38-60RA-91
With stepper motor			
EMMS-ST-42-...	42A	★ 1217945	EAMM-U-50-S38-42A-78
EMMS-ST-57-...	57A	★ 1218568	EAMM-U-60-S38-57A-91
Third-party motor	57AC	8058946	EAMM-U-60-S38-57AC-91
With integrated drive			
Third-party motor	67A	1577408	EAMM-U-60-S38-67A-91
With gear unit			
EMGA-40-P-...	40G	2283732	EAMM-U-60-S38-40G-91
EMGC-40-P-...	40G	2283732	EAMM-U-60-S38-40G-91
Third-party gear unit	50GA	8107724	EAMM-U-60-S38-50GA-91
ELGA-BS-...-80			
With servo motor			
Third-party motor	40R	8058949	EAMM-U-60-S48-40R-91
Third-party motor	55A	1219370	EAMM-U-60-S48-55A-91
Third-party motor	58AA	8058950	EAMM-U-60-S48-58AA-91
Third-party motor	58AA	8058995	EAMM-U-86-S48-58AA-102
Third-party motor	58AA	8059008	EAMM-U-86-S48-58AA-177
EMMT-AS-60-..., EMME-AS-60-..., third-party motor	60P	★ 2629253	EAMM-U-70-S48-60P-96
EMMT-AS-60-..., EMME-AS-60-..., third-party motor	60P	8058996	EAMM-U-86-S48-60P-102
EMMT-AS-60-..., EMME-AS-60-..., third-party motor	60P	8059011	EAMM-U-86-S48-60P-177
Third-party motor	60PA	8059012	EAMM-U-86-S48-60PA-177
Third-party motor	60R	8105843	EAMM-U-70-S48-60R-96
Third-party motor	60RA	8058969	EAMM-U-70-S48-60RA-96
Third-party motor	60RB	8058997	EAMM-U-86-S48-60RB-102
Third-party motor	60RB	8059014	EAMM-U-86-S48-60RB-177
Third-party motor	70A	2787320	EAMM-U-70-S48-70A-96
Third-party motor	70A	1217689	EAMM-U-86-S48-70A-102
Third-party motor	70A	8059016	EAMM-U-86-S48-70A-177
Third-party motor	70AB	8058970	EAMM-U-70-S48-70AB-96
Third-party motor	70AA, 70AB	8058999	EAMM-U-86-S48-70AA-102
Third-party motor	70AA, 70AB	8059017	EAMM-U-86-S48-70AA-177
Third-party motor	82AA	8059002	EAMM-U-86-S48-82AA-102
Third-party motor	82AA	8059021	EAMM-U-86-S48-82AA-177
Third-party motor	84AA	8059003	EAMM-U-86-S48-84AA-102
Third-party motor	84AA	8059022	EAMM-U-86-S48-84AA-177

1) The input torque must not exceed the max. permissible transferable torque of the parallel kit.
 2) Gear unit output shaft diameter: EMGA-60-P-...-SAS/SST: 11 mm; EMGA-60-P-...-EAS, EMGC-60-P: 14 mm

Product range overview

Permissible axis/motor combinations with spindle axis ELGA-BS



- The kit can be mounted in all directions
- To support the axis shaft, a counter bearing EAMG and a clamping sleeve EAMH-...-P with integrated trunnion are included in the scope of delivery for the parallel kit
- Table of interfaces for third-party motors → from page 60

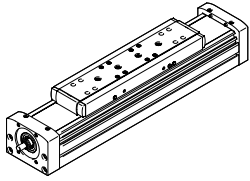
Motor/gear unit ¹⁾ Type	Motor interface	Parallel kit	
		Part no.	Type
ELGA-BS-...-80			
With stepper motor			
EMMS-ST-57-...	57A	1219379	EAMM-U-60-S48-57A-91
Third-party motor	60AA	8105898	EAMM-U-60-S48-60AA-91
EMMS-ST-87-..., third-party motor	87A	8059004	EAMM-U-86-S48-87A-102
EMMS-ST-87-..., third-party motor	87A	1217604	EAMM-U-86-S48-87A-177
With gear unit			
EMGA-40-P-...	40G	2283760	EAMM-U-60-S48-40G-91
EMGC-40-P-...	40G	2283760	EAMM-U-60-S48-40G-91
Third-party gear unit	50GA	8105900	EAMM-U-60-S48-50GA-91
EMGA-60-P-...-SAS/SST ²⁾	60G	2283760	EAMM-U-70-S48-60G-96
EMGA-60-P-...-SAS/SST ²⁾	60G	1587251	EAMM-U-86-S48-60G-102
Third-party gear unit	60G	8059009	EAMM-U-86-S48-60G-177
EMGA-60-P-...-EAS, EMGC-60-P-... ²⁾ , third-party gear unit	60H	2801715	EAMM-U-70-S48-60H-96
EMGA-60-P-...-EAS, EMGC-60-P-... ²⁾ , third-party gear unit	60H	1587338	EAMM-U-86-S48-60H-102
Third-party gear unit	70GA	8059000	EAMM-U-86-S48-70GA-102
Third-party gear unit	70GA	8059019	EAMM-U-86-S48-70GA-177
ELGA-BS-...-120			
With servo motor			
Third-party motor	55A	8059033	EAMM-U-86-S62-55A-177
Third-party motor	60PA	8059026	EAMM-U-86-S62-60PA-102
Third-party motor	60PA	8059034	EAMM-U-86-S62-60PA-177
Third-party motor	70A	8059027	EAMM-U-86-S62-70A-102
Third-party motor	70A	1217543	EAMM-U-86-S62-70A-177
Third-party motor	70AA, 70AB	8059028	EAMM-U-86-S62-70AA-102
Third-party motor	70AA, 70AB	8059036	EAMM-U-86-S62-70AA-177
EMMT-AS-80-..., EMME-AS-80-...	80P	★ 2157004	EAMM-U-86-S62-80P-177
Third-party motor	80PB	8105905	EAMM-U-86-S62-80PB-177
Third-party motor	82AA	8059031	EAMM-U-86-S62-82AA-102
Third-party motor	82AA	8059038	EAMM-U-86-S62-82AA-177
Third-party motor	84AA	8059051	EAMM-U-110-S62-84AA-120
Third-party motor	84AA	8059057	EAMM-U-110-S62-84AA-207
Third-party motor	88A	8059052	EAMM-U-110-S62-88A-120
Third-party motor	88A	8059058	EAMM-U-110-S62-88A-207
EMMT-AS-100-..., EMME-AS-100-...	100A	★ 1217381	EAMM-U-110-S62-100A-207
Third-party motor	126AA	8059073	EAMM-U-145-S62-126AA-288
EMMS-AS-140-...	140A	★ 1219440	EAMM-U-145-S62-140A-288
EMMS-AS-140-..., EMMT-AS-150-...	140A, 150A	8157287	EAMM-U-145-S62-150A-288

1) The input torque must not exceed the max. permissible transferable torque of the parallel kit.

2) Gear unit output shaft diameter: EMGA-60-P-...-SAS/SST: 11 mm; EMGA-60-P-...-EAS, EMGC-60-P: 14 mm

Product range overview

Permissible axis/motor combinations with spindle axis ELGA-BS



- The kit can be mounted in all directions
- To support the axis shaft, a counter bearing EAMG and a clamping sleeve EAMH-...-P with integrated trunnion are included in the scope of delivery for the parallel kit
- Table of interfaces for third-party motors → from page 60

Motor/gear unit ¹⁾ Type	Motor interface	Parallel kit	
		Part no.	Type
ELGA-BS-...-120			
With stepper motor			
EMMS-ST-87-..., third-party motor	87A	8059032	EAMM-U-86-S62-87A-102
EMMS-ST-87-..., third-party motor	87A	★ 1217373	EAMM-U-86-S62-87A-177
With gear unit			
EMGA-60-P-...-SAS/SST ²⁾	60G	1587411	EAMM-U-86-S62-60G-177
EMGA-60-P-...-EAS, EMGC-60-P-... ²⁾ , third-party gear unit	60H	1587453	EAMM-U-86-S62-60H-177
Third-party gear unit	70GA	8105902	EAMM-U-86-S62-70GA-177
ELGA-BS-...-150			
With servo motor			
Third-party motor	84AA	8059063	EAMM-U-110-S95-84AA-207
EMMT-AS-100-..., EMME-AS-100-...	100A	1220656	EAMM-U-110-S95-100A-207
EMMS-AS-140-..., EMMT-AS-150-...,	140A, 150A	1220582	EAMM-U-145-S95-140A-288
With gear unit			
EMGA-80-P-...	80G	1589544	EAMM-U-110-S95-80G-207
Third-party gear unit	90GA	8105907	EAMM-U-110-S95-90GA-207

1) The input torque must not exceed the max. permissible transferable torque of the parallel kit.

2) Gear unit output shaft diameter: EMGA-60-P-...-SAS/SST: 11 mm; EMGA-60-P-...-EAS, EMGC-60-P-...: 14 mm

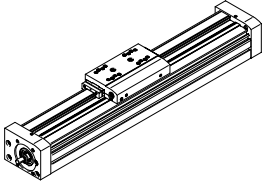
- Note

Clamping element EADT for adjusting the toothed belt pretension for EAMM-U-110 and EAMM-U-145 → page 41



Product range overview

Permissible axis/motor combinations with spindle axis EGC-BS



- The kit can be mounted in all directions
- To support the axis shaft, a counter bearing EAMG and a clamping sleeve EAMH-...-P with integrated trunnion are included in the scope of delivery for the parallel kit
- Table of interfaces for third-party motors → from page 60

Motor/gear unit ¹⁾ Type	Motor interface	Parallel kit	
		Part no.	Type
EGC-70-...-BS			
With servo motor			
Third-party motor	38AA	8058926	EAMM-U-50-S38-38AA-78
Third-party motor	40A	1217708	EAMM-U-50-S38-40A-78
EMME-AS-40-...	40P	★ 2155239	EAMM-U-50-S38-40P-78
Third-party motor	40R	8058943	EAMM-U-60-S38-40R-91
Third-party motor	55A	1218538	EAMM-U-60-S38-55A-91
Third-party motor	58AA	8058947	EAMM-U-60-S38-58AA-91
Third-party motor	60P	8125092	EAMM-U-60-S38-60P-91
Third-party motor	60RA	8058948	EAMM-U-60-S38-60RA-91
With stepper motor			
EMMS-ST-42-...	42A	★ 1217945	EAMM-U-50-S38-42A-78
EMMS-ST-57-...	57A	★ 1218568	EAMM-U-60-S38-57A-91
Third-party motor	57AC	8058946	EAMM-U-60-S38-57AC-91
With integrated drive			
Third-party motor	67A	1577408	EAMM-U-60-S38-67A-91
With gear unit			
EMGA-40-P-...	40G	2283732	EAMM-U-60-S38-40G-91
EMGC-40-P-...	40G	2283732	EAMM-U-60-S38-40G-91
Third-party gear unit	50GA	8107724	EAMM-U-60-S38-50GA-91
EGC-80-...-BS			
With servo motor			
Third-party motor	40R	8058949	EAMM-U-60-S48-40R-91
Third-party motor	55A	1219370	EAMM-U-60-S48-55A-91
Third-party motor	58AA	8058950	EAMM-U-60-S48-58AA-91
Third-party motor	58AA	8058995	EAMM-U-86-S48-58AA-102
Third-party motor	58AA	8059008	EAMM-U-86-S48-58AA-177
EMMT-AS-60-..., EMME-AS-60-..., third-party motor	60P	★ 2629253	EAMM-U-70-S48-60P-96
EMMT-AS-60-..., EMME-AS-60-..., third-party motor	60P	8058996	EAMM-U-86-S48-60P-102
EMMT-AS-60-..., EMME-AS-60-..., third-party motor	60P	8059011	EAMM-U-86-S48-60P-177
Third-party motor	60PA	8059012	EAMM-U-86-S48-60PA-177
Third-party motor	60R	8105843	EAMM-U-70-S48-60R-96
Third-party motor	60RA	8058969	EAMM-U-70-S48-60RA-96
Third-party motor	60RB	8058997	EAMM-U-86-S48-60RB-102
Third-party motor	60RB	8059014	EAMM-U-86-S48-60RB-177
Third-party motor	70A	2787320	EAMM-U-70-S48-70A-96
Third-party motor	70A	1217689	EAMM-U-86-S48-70A-102
Third-party motor	70A	8059016	EAMM-U-86-S48-70A-177
Third-party motor	70AB	8058970	EAMM-U-70-S48-70AB-96
Third-party motor	70AA, 70AB	8058999	EAMM-U-86-S48-70AA-102
Third-party motor	70AA, 70AB	8059017	EAMM-U-86-S48-70AA-177
Third-party motor	82AA	8059002	EAMM-U-86-S48-82AA-102
Third-party motor	82AA	8059021	EAMM-U-86-S48-82AA-177
Third-party motor	84AA	8059003	EAMM-U-86-S48-84AA-102
Third-party motor	84AA	8059022	EAMM-U-86-S48-84AA-177

1) The input torque must not exceed the max. permissible transferable torque of the parallel kit.

2) Gear unit output shaft diameter: EMGA-60-P-...-SAS/SST: 11 mm; EMGA-60-P-...-EAS, EMGC-60-P: 14 mm

Festo Core Range

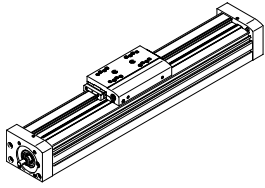


Generally ready for shipping ex works in 24 hours

Generally ready for shipping ex works in 5 days

Product range overview

Permissible axis/motor combinations with spindle axis EGC-BS



- The kit can be mounted in all directions
- To support the axis shaft, a counter bearing EAMG and a clamping sleeve EAMH-...-P with integrated trunnion are included in the scope of delivery for the parallel kit
- Table of interfaces for third-party motors → from page 60

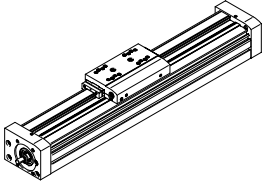
Motor/gear unit ¹⁾ Type	Motor interface	Parallel kit	
		Part no.	Type
EGC-80-...-BS			
With stepper motor			
EMMS-ST-57-...	57A	1219379	EAMM-U-60-S48-57A-91
Third-party motor	60AA	8105898	EAMM-U-60-S48-60AA-91
EMMS-ST-87-..., third-party motor	87A	8059004	EAMM-U-86-S48-87A-102
EMMS-ST-87-..., third-party motor	87A	1217604	EAMM-U-86-S48-87A-177
With gear unit			
EMGA-40-P-...	40G	2283760	EAMM-U-60-S48-40G-91
EMGC-40-P-...	40G	2283760	EAMM-U-60-S48-40G-91
Third-party gear unit	50GA	8105900	EAMM-U-60-S48-50GA-91
EMGA-60-P-...-SAS/SST ²⁾	60G	2283760	EAMM-U-70-S48-60G-96
EMGA-60-P-...-SAS/SST ²⁾	60G	1587251	EAMM-U-86-S48-60G-102
EMGA-60-P-...-SAS/SST ²⁾	60G	8059009	EAMM-U-86-S48-60G-177
EMGA-60-P-...-EAS, EMGC-60-P-... ²⁾ , third-party gear unit	60H	2801715	EAMM-U-70-S48-60H-96
EMGA-60-P-...-EAS, EMGC-60-P-... ²⁾ , third-party gear unit	60H	1587338	EAMM-U-86-S48-60H-102
Third-party gear unit	70GA	8059000	EAMM-U-86-S48-70GA-102
Third-party gear unit	70GA	8059019	EAMM-U-86-S48-70GA-177
EGC-120-...-BS			
With servo motor			
Third-party motor	55A	8059033	EAMM-U-86-S62-55A-177
Third-party motor	60PA	8059026	EAMM-U-86-S62-60PA-102
Third-party motor	60PA	8059034	EAMM-U-86-S62-60PA-177
Third-party motor	70A	8059027	EAMM-U-86-S62-70A-102
Third-party motor	70A	1217543	EAMM-U-86-S62-70A-177
Third-party motor	70AA, 70AB	8059028	EAMM-U-86-S62-70AA-102
Third-party motor	70AA, 70AB	8059036	EAMM-U-86-S62-70AA-177
EMMT-AS-80-..., EMME-AS-80-...	80P	★ 2157004	EAMM-U-86-S62-80P-177
Third-party motor	80PB	8105905	EAMM-U-86-S62-80PB-177
Third-party motor	82AA	8059031	EAMM-U-86-S62-82AA-102
Third-party motor	82AA	8059038	EAMM-U-86-S62-82AA-177
Third-party motor	84AA	8059051	EAMM-U-110-S62-84AA-120
Third-party motor	84AA	8059057	EAMM-U-110-S62-84AA-207
Third-party motor	88A	8059052	EAMM-U-110-S62-88A-120
Third-party motor	88A	8059058	EAMM-U-110-S62-88A-207
EMMT-AS-100-..., EMME-AS-100-...	100A	★ 1217381	EAMM-U-110-S62-100A-207
Third-party motor	126AA	8059073	EAMM-U-145-S62-126AA-288
EMMS-AS-140-...	140A	★ 1219440	EAMM-U-145-S62-140A-288
EMMS-AS-140-..., EMMT-AS-150-...	140A, 150A	8157287	EAMM-U-145-S62-150A-288

1) The input torque must not exceed the max. permissible transferable torque of the parallel kit.

2) Gear unit output shaft diameter: EMGA-60-P-...-SAS/SST: 11 mm; EMGA-60-P-...-EAS, EMGC-60-P: 14 mm

Product range overview

Permissible axis/motor combinations with spindle axis EGC-BS



- The kit can be mounted in all directions
- To support the axis shaft, a counter bearing EAMG and a clamping sleeve EAMH-...-P with integrated trunnion are included in the scope of delivery for the parallel kit
- Table of interfaces for third-party motors → from page 60

Motor/gear unit ¹⁾ Type	Motor interface	Parallel kit	
		Part no.	Type
EGC-120-...-BS			
With stepper motor			
EMMS-ST-87-..., third-party motor	87A	8059032	EAMM-U-86-S62-87A-102
EMMS-ST-87-..., third-party motor	87A	★ 1217373	EAMM-U-86-S62-87A-177
With gear unit			
EMGA-60-P-...-SAS/SST ²⁾	60G	1587411	EAMM-U-86-S62-60G-177
EMGA-60-P-...-EAS, EMGC-60-P-... ²⁾ , third-party gear unit	60H	1587453	EAMM-U-86-S62-60H-177
Third-party gear unit	70GA	8105902	EAMM-U-86-S62-70GA-177
EGC-185-...-BS			
With servo motor			
Third-party motor	84AA	8059063	EAMM-U-110-S95-84AA-207
EMMT-AS-100-..., EMME-AS-100-...	100A	1220656	EAMM-U-110-S95-100A-207
EMMS-AS-140-...	140A	1220582	EAMM-U-145-S95-140A-288
EMMS-AS-140-..., EMMT-AS-150-...	140A, 150A	8157288	EAMM-U-145-S95-150A-288
With gear unit			
EMGA-80-P-...	80G	1589544	EAMM-U-110-S95-80G-207
Third-party gear unit	90GA	8105907	EAMM-U-110-S95-90GA-207

- 1) The input torque must not exceed the max. permissible transferable torque of the parallel kit.
 2) Gear unit output shaft diameter: EMGA-60-P-...-SAS/SST: 11 mm; EMGA-60-P-...-EAS, EMGC-60-P: 14 mm

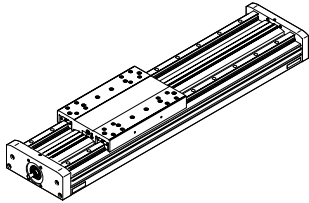
Note

Clamping element EADT for adjusting the toothed belt pretension for EAMM-U-110 and EAMM-U-145 → page 41



Product range overview

Permissible axis/motor combinations with spindle axis with heavy-duty guide EGC-HD-BS



- To support the axis shaft, a counter bearing EAMG and a clamping sleeve EAMH-...-P with integrated trunnion are included in the scope of delivery for the parallel kit
- Table of interfaces for third-party motors → from page 60

Motor/gear unit ¹⁾	Motor interface	Parallel kit	
		Part no.	Type
EGC-HD-125-...-BS			
With servo motor			
Third-party motor	38AA	8058926	EAMM-U-50-S38-38AA-78
Third-party motor	40A	1217708	EAMM-U-50-S38-40A-78
EMME-AS-40-...	40P	★ 2155239	EAMM-U-50-S38-40P-78
Third-party motor	40R	8058943	EAMM-U-60-S38-40R-91
Third-party motor	55A	1218538	EAMM-U-60-S38-55A-91
Third-party motor	58AA	8058947	EAMM-U-60-S38-58AA-91
Third-party motor	60P	8125092	EAMM-U-60-S38-60P-91
Third-party motor	60RA	8058948	EAMM-U-60-S38-60RA-91
With stepper motor			
EMMS-ST-42-...	42A	★ 1217945	EAMM-U-50-S38-42A-78
EMMS-ST-57-...	57A	★ 1218568	EAMM-U-60-S38-57A-91
Third-party motor	57AC	8058946	EAMM-U-60-S38-57AC-91
With gear unit			
EMGA-40-P-...	40G	2283732	EAMM-U-60-S38-40G-91
EMGC-40-P-...	40G	2283732	EAMM-U-60-S38-40G-91
Third-party gear unit	50GA	8107724	EAMM-U-60-S38-50GA-91
EGC-HD-160-...-BS			
With servo motor			
Third-party motor	40R	8058949	EAMM-U-60-S48-40R-91
Third-party motor	55A	1219370	EAMM-U-60-S48-55A-91
Third-party motor	58AA	8058950	EAMM-U-60-S48-58AA-91
Third-party motor	58AA	8058995	EAMM-U-86-S48-58AA-102
Third-party motor	58AA	8059008	EAMM-U-86-S48-58AA-177
EMMT-AS-60-..., EMME-AS-60-..., third-party motor	60P	★ 2629253	EAMM-U-70-S48-60P-96
EMMT-AS-60-..., EMME-AS-60-..., third-party motor	60P	8058996	EAMM-U-86-S48-60P-102
EMMT-AS-60-..., EMME-AS-60-..., third-party motor	60P	8059011	EAMM-U-86-S48-60P-177
Third-party motor	60PA	8059012	EAMM-U-86-S48-60PA-177
Third-party motor	60R	8105843	EAMM-U-70-S48-60R-96
Third-party motor	60RA	8058969	EAMM-U-70-S48-60RA-96
Third-party motor	60RB	8058997	EAMM-U-86-S48-60RB-102
Third-party motor	60RB	8059014	EAMM-U-86-S48-60RB-177
Third-party motor	70A	2787320	EAMM-U-70-S48-70A-96
Third-party motor	70A	1217689	EAMM-U-86-S48-70A-102
Third-party motor	70A	8059016	EAMM-U-86-S48-70A-177
Third-party motor	70AB	8058970	EAMM-U-70-S48-70AB-96
Third-party motor	70AA, 70AB	8058999	EAMM-U-86-S48-70AA-102
Third-party motor	70AA, 70AB	8059017	EAMM-U-86-S48-70AA-177
Third-party motor	82AA	8059002	EAMM-U-86-S48-82AA-102
Third-party motor	82AA	8059021	EAMM-U-86-S48-82AA-177
Third-party motor	84AA	8059003	EAMM-U-86-S48-84AA-102
Third-party motor	84AA	8059022	EAMM-U-86-S48-84AA-177

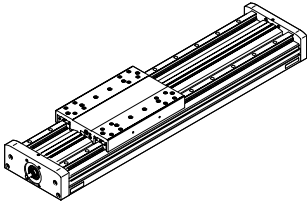
1) The input torque must not exceed the max. permissible transferable torque of the parallel kit.

2) Gear unit output shaft diameter: EMGA-60-P-...SAS/SST: 11 mm; EMGA-60-P-...EAS, EMGC-60-P: 14 mm



Product range overview

Permissible axis/motor combinations with spindle axis with heavy-duty guide EGC-HD-BS



- To support the axis shaft, a counter bearing EAMG and a clamping sleeve EAMH-...-P with integrated trunnion are included in the scope of delivery for the parallel kit
- Table of interfaces for third-party motors → from page 60

Motor/gear unit ¹⁾ Type	Motor interface	Parallel kit Part no.	Type
EGC-HD-160-...-BS			
With stepper motor			
EMMS-ST-57-...	57A	1219379	EAMM-U-60-S48-57A-91
Third-party motor	60AA	8105898	EAMM-U-60-S48-60AA-91
EMMS-ST-87-..., third-party motor	87A	8059004	EAMM-U-86-S48-87A-102
EMMS-ST-87-..., third-party motor	87A	1217604	EAMM-U-86-S48-87A-177
With gear unit			
EMGA-40-P-...	40G	2283760	EAMM-U-60-S48-40G-91
EMGC-40-P-...	40G	2283760	EAMM-U-60-S48-40G-91
Third-party gear unit	50GA	8105900	EAMM-U-60-S48-50GA-91
EMGA-60-P-...-SAS/SST ²⁾	60G	2283760	EAMM-U-70-S48-60G-96
EMGA-60-P-...-SAS/SST ²⁾	60G	1587251	EAMM-U-86-S48-60G-102
EMGA-60-P-...-SAS/SST ²⁾	60G	8059009	EAMM-U-86-S48-60G-177
EMGA-60-P-...-EAS, EMGC-60-P-... ²⁾ , third-party gear unit	60H	2801715	EAMM-U-70-S48-60H-96
EMGA-60-P-...-EAS, EMGC-60-P-... ²⁾ , third-party gear unit	60H	1587338	EAMM-U-86-S48-60H-102
Third-party gear unit	70GA	8059000	EAMM-U-86-S48-70GA-102
Third-party gear unit	70GA	8059019	EAMM-U-86-S48-70GA-177
EGC-HD-220-...-BS			
With servo motor			
Third-party motor	55A	8059033	EAMM-U-86-S62-55A-177
Third-party motor	60PA	8059026	EAMM-U-86-S62-60PA-102
Third-party motor	60PA	8059034	EAMM-U-86-S62-60PA-177
Third-party motor	70A	8059027	EAMM-U-86-S62-70A-102
Third-party motor	70A	1217543	EAMM-U-86-S62-70A-177
Third-party motor	70AA, 70AB	8059028	EAMM-U-86-S62-70AA-102
Third-party motor	70AA, 70AB	8059036	EAMM-U-86-S62-70AA-177
EMMT-AS-80-..., EMME-AS-80-...	80P	★ 2157004	EAMM-U-86-S62-80P-177
Third-party motor	80PB	8105905	EAMM-U-86-S62-80PB-177
Third-party motor	82AA	8059031	EAMM-U-86-S62-82AA-102
Third-party motor	82AA	8059038	EAMM-U-86-S62-82AA-177
Third-party motor	84AA	8059051	EAMM-U-110-S62-84AA-120
Third-party motor	84AA	8059057	EAMM-U-110-S62-84AA-207
Third-party motor	88A	8059052	EAMM-U-110-S62-88A-120
Third-party motor	88A	8059058	EAMM-U-110-S62-88A-207
EMMT-AS-100-..., EMME-AS-100-...	100A	★ 1217381	EAMM-U-110-S62-100A-207
Third-party motor	126AA	8059073	EAMM-U-145-S62-126AA-288
EMMS-AS-140-...	140A	★ 1219440	EAMM-U-145-S62-140A-288
EMMS-AS-140-..., EMMT-AS-150-...	140A, 150A	8157287	EAMM-U-145-S62-150A-288

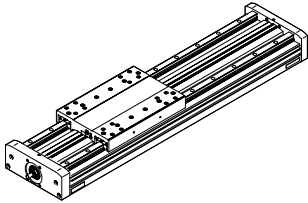
1) The input torque must not exceed the max. permissible transferable torque of the parallel kit.

2) Gear unit output shaft diameter: EMGA-60-P-...-SAS/SST: 11 mm; EMGA-60-P-...-EAS, EMGC-60-P: 14 mm



Product range overview

Permissible axis/motor combinations with spindle axis with heavy-duty guide EGC-HD-BS



- To support the axis shaft, a counter bearing EAMG and a clamping sleeve EAMH-...-P with integrated trunnion are included in the scope of delivery for the parallel kit
- Table of interfaces for third-party motors → from page 60

Motor/gear unit ¹⁾ Type	Motor interface	Parallel kit Part no.	Type
EGC-HD-220-...-BS			
With stepper motor			
EMMS-ST-87-..., third-party motor	87A	8059032	EAMM-U-86-S62-87A-102
EMMS-ST-87-..., third-party motor	87A	★ 1217373	EAMM-U-86-S62-87A-177
With gear unit			
EMGA-60-P-...-SAS/SST ²⁾	60G	1587411	EAMM-U-86-S62-60G-177
EMGA-60-P-...-EAS, EMGC-60-P-... ²⁾ , third-party gear unit	60H	1587453	EAMM-U-86-S62-60H-177
Third-party gear unit	70GA	8105902	EAMM-U-86-S62-70GA-177

1) The input torque must not exceed the max. permissible transferable torque of the parallel kit.

2) Gear unit output shaft diameter: EMGA-60-P-...-SAS/SST: 11 mm; EMGA-60-P-...-EAS, EMGC-60-P: 14 mm

Datasheet

Material:

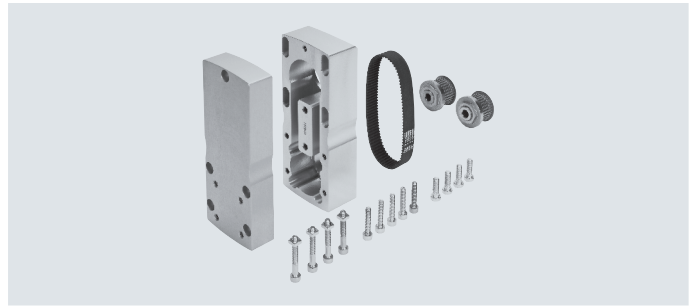
Housing: Wrought aluminium alloy

Clamping sleeve, toothed belt pulley:

Corrosion-resistant steel

Toothed belt: Polychloroprene

Screws: Galvanised steel



General technical data							
Type	For axis	Transferable torque [Nm]	Mass moment of inertia [kgmm ²]	Max. rotational speed [rpm]	No-load driving torque [Nm]	Weight [g]	→ Page
EAMM-U-50-D19-38AA-78	EGSL	1	12.1	6000	0.01	600	28
EAMM-U-50-D19-40R-78	EGSL					600	
EAMM-U-50-D32-32B-78	ESBF, EGSL					608	28, 34
EAMM-U-50-D32-38AA-78	ESBF, EGSL					600	
EAMM-U-50-D32-40A-78	ESBF, EGSL					600	
EAMM-U-50-D32-40A-78-S1	ESBF					620	
EAMM-U-50-D32-40P-48	ESBF, EGSL					479	
EAMM-U-50-D32-40P-78	ESBF, EGSL					596	
EAMM-U-50-D32-40P-78-S1	ESBF					610	
EAMM-U-50-D32-40RA-78	ESBF, EGSL					600	
EAMM-U-50-D32-42A-78	ESBF, EGSL					610	
EAMM-U-50-D32-42A-78-S1	ESBF	630					
EAMM-U-60-D32-40G-91	ESBF, EGSL	3	26.7	6000	0.07	1100	
EAMM-U-60-D32-40G-91-S1	ESBF					1140	
EAMM-U-60-D32-42B/C-91	ESBF, EGSL					1100	
EAMM-U-60-D32-42B/C-91-S1	ESBF					1140	
EAMM-U-60-D32-55A-91	ESBF, EGSL					1050	
EAMM-U-60-D32-55A-91-S1	ESBF					1100	
EAMM-U-60-D32-57A-91	ESBF, EGSL					1160	
EAMM-U-60-D32-57A-91-S1	ESBF					1190	
EAMM-U-60-D32-57AC-91	ESBF, EGSL					1150	
EAMM-U-60-D32-58AA-91	ESBF, EGSL					1150	
EAMM-U-60-D32-60AA-91	ESBF, EGSL					1150	
EAMM-U-60-D40-60P-61	ESBF, EGSL					926	
EAMM-U-60-D32-60P-91	ESBF, EGSL					1130	
EAMM-U-60-D32-60RA-91	ESBF, EGSL					1150	
EAMM-U-60-D32-60RB-91	ESBF, EGSL					1150	
EAMM-U-60-D40-40G-91	ESBF, EGSL					1080	
EAMM-U-60-D40-40G-91-S1	ESBF					1130	
EAMM-U-60-D40-40R-91	ESBF, EGSL					1150	
EAMM-U-60-D40-42B/C-91	ESBF, EGSL					1080	
EAMM-U-60-D40-42B/C-91-S1	ESBF					1130	
EAMM-U-60-D40-50GA-91	ESBF, EGSL					1150	
EAMM-U-60-D40-55A-91	ESBF, EGSL					1040	
EAMM-U-60-D40-55A-91-S1	ESBF					1080	
EAMM-U-60-D40-57A-91	ESBF, EGSL					1140	
EAMM-U-60-D40-57A-91-S1	ESBF					1170	
EAMM-U-60-D40-57AC-91	ESBF, EGSL					1150	
EAMM-U-60-D40-58AA-91	ESBF, EGSL					1150	

Datasheet

General technical data												
Type	For axis	Transferable torque [Nm]	Mass moment of inertia [kgmm ²]	Max. rotational speed [rpm]	No-load driving torque [Nm]	Weight [g]	→ Page					
EAMM-U-70-D32-52B/C-96	ESBF, EGSL	7	118	5000	0.18	1800	28, 34					
EAMM-U-70-D32-52B/C-96-S1	ESBF					1820						
EAMM-U-70-D32-60G-96	ESBF, EGSL					1760						
EAMM-U-70-D32-60G-96-S1	ESBF					1790						
EAMM-U-70-D32-60H-96	ESBF, EGSL					1750						
EAMM-U-70-D32-60H-96-S1	ESBF					1780						
EAMM-U-70-D32-60P-96	ESBF, EGSL					1750						
EAMM-U-70-D32-60P-96-S1	ESBF					1770						
EAMM-U-70-D32-68GA-96	ESBF, EGSL					1800						
EAMM-U-70-D32-70A-96	ESBF, EGSL					1720						
EAMM-U-70-D32-70A-96-S1	ESBF					1750						
EAMM-U-70-D32-70AA-96	ESBF, EGSL					1750						
EAMM-U-70-D40-52B/C-96	ESBF, EGSL					1780						
EAMM-U-70-D40-52B/C-96-S1	ESBF					1800						
EAMM-U-70-D40-60G-96	ESBF, EGSL					1740						
EAMM-U-70-D40-60G-96-S1	ESBF					1770						
EAMM-U-70-D40-60H-96	ESBF, EGSL					1730						
EAMM-U-70-D40-60H-96-S1	ESBF					1760						
EAMM-U-70-D40-60P-96	ESBF, EGSL					1730						
EAMM-U-70-D40-60P-96-S1	ESBF					1750						
EAMM-U-70-D40-60RA-96	ESBF, EGSL					1800						
EAMM-U-70-D40-68GA-96	ESBF, EGSL					1800						
EAMM-U-70-D40-70A-96	ESBF, EGSL					1700						
EAMM-U-70-D40-70A-96-S1	ESBF					1730						
EAMM-U-70-D50-60P-96	ESBF					1730						
EAMM-U-70-D50-70A-96	ESBF					1700						
EAMM-U-70-D50-70A-96-S1	ESBF					1730						
EAMM-U-70-D50-60RA-96	ESBF, EGSL					1800						
EAMM-U-70-D50-68GA-96	ESBF, EGSL					1800						
EAMM-U-86-D40-52B/C-102	ESBF, EGSL					9.5		175	5000	0.25	2520	28
EAMM-U-86-D40-52B/C-102-S1	ESBF										2540	
EAMM-U-86-D40-60G-102	ESBF, EGSL										2480	
EAMM-U-86-D40-60G-102-S1	ESBF	2500										
EAMM-U-86-D40-60H-102	ESBF, EGSL	2470										
EAMM-U-86-D40-60H-102-S1	ESBF	2490										
EAMM-U-86-D40-60PA-102	ESBF, EGSL	2500										
EAMM-U-86-D40-70A-102	ESBF, EGSL	2450										
EAMM-U-86-D40-70A-102-S1	ESBF	2460										
EAMM-U-86-D40-70AA-102	ESBF, EGSL	2500										
EAMM-U-86-D40-70AB-102	ESBF, EGSL	2500										
EAMM-U-86-D40-80P-102	ESBF, EGSL	2300										
EAMM-U-86-D40-80PB-102	ESBF, EGSL	2300										
EAMM-U-86-D40-80P-102-S1	ESBF	2320										
EAMM-U-86-D40-82AA-102	ESBF, EGSL	2500										
EAMM-U-86-D40-84AA-102	ESBF, EGSL	2500										
EAMM-U-86-D40-87A-102	ESBF, EGSL	2510										
EAMM-U-86-D40-87A-102-S1	ESBF	2530										
EAMM-U-86-D50-80P-102	ESBF	2330										
EAMM-U-86-D50-80PB-102		2330										
EAMM-U-86-D50-80P-102-S1		2350										
EAMM-U-86-D50-87A-102		2550										
EAMM-U-86-D50-87A-102-S1		2560										
EAMM-U-86-D50-60H-102		2500										
EAMM-U-86-D50-60H-102-S1		2520										
EAMM-U-86-D50-60G-102		2510										
EAMM-U-86-D50-60G-102-S1		2530										

Datasheet

General technical data									
Type	For axis	Transferable torque [Nm]	Mass moment of inertia [kgmm ²]	Max. rotational speed [rpm]	No-load driving torque [Nm]	Weight [g]	→ Page		
EAMM-U-86-D60-52B/C-102	ESBF, EGSL	9.5	175	5000	0.25	2520	28, 34		
EAMM-U-86-D60-52B/C-102-S1	ESBF					2540			
EAMM-U-86-D60-55A-102	ESBF, EGSL					2500			
EAMM-U-86-D60-57AA-102	ESBF, EGSL					2500			
EAMM-U-86-D60-58AA-102	ESBF, EGSL					2500			
EAMM-U-86-D60-60G-102	ESBF, EGSL					2480			
EAMM-U-86-D60-60G-102-S1	ESBF					2500			
EAMM-U-86-D60-60H-102	ESBF, EGSL					2470			
EAMM-U-86-D60-60H-102-S1	ESBF					2490			
EAMM-U-86-D60-60P-102	ESBF, EGSL					2500			
EAMM-U-86-D60-60PA-102	ESBF, EGSL					2500			
EAMM-U-86-D60-60RB-102	ESBF, EGSL					2500			
EAMM-U-86-D60-70A-102	ESBF, EGSL					2440			
EAMM-U-86-D60-70A-102-S1	ESBF					2460			
EAMM-U-86-D60-70AA-102	ESBF, EGSL					2500			
EAMM-U-86-D60-70AB-102	ESBF, EGSL					2500			
EAMM-U-86-D60-70GA-102	ESBF, EGSL					2500			
EAMM-U-86-D60-80P-102	ESBF, EGSL					2300			
EAMM-U-86-D60-80PB-102	ESBF, EGSL					2300			
EAMM-U-86-D60-80P-102-S1	ESBF					2320			
EAMM-U-86-D60-82AA-102	ESBF, EGSL					2500			
EAMM-U-86-D60-84AA-102	ESBF, EGSL					2500			
EAMM-U-86-D60-87A-102	ESBF, EGSL					2510			
EAMM-U-86-D60-87A-102-S1	ESBF					2520			
EAMM-U-110-D50-100A-120	ESBF	25	799	5000	0.3	4990	28		
EAMM-U-110-D50-100A-120-S1						5050			
EAMM-U-110-D50-60H-120						5280			
EAMM-U-110-D50-60H-120-S1						5310			
EAMM-U-110-D50-60G-120						5290			
EAMM-U-110-D50-60G-120-S1						5320			
EAMM-U-110-D50-80G-120						5160			
EAMM-U-110-D50-84AA-120									
EAMM-U-110-D50-80G-120-S1						5220			
EAMM-U-110-D50-120GA-120						ESBF, EGSL		5250	
EAMM-U-110-D60-60G-120						ESBF, EGSL		5250	28, 34
EAMM-U-110-D60-60G-120-S1						ESBF		5080	
EAMM-U-110-D60-60H-120						ESBF, EGSL		5240	
EAMM-U-110-D60-60H-120-S1						ESBF		5270	
EAMM-U-110-D60-62B-120						ESBF, EGSL		5230	
EAMM-U-110-D60-62B-120-S1						ESBF		5270	
EAMM-U-110-D60-80G-120						ESBF, EGSL		5120	
EAMM-U-110-D60-80G-120-S1						ESBF		5180	
EAMM-U-110-D60-84AA-120	ESBF	5250							
EAMM-U-110-D60-88A-120	ESBF	5250							
EAMM-U-110-D60-90GA-120	ESBF	5250							
EAMM-U-110-D60-100A-120	ESBF, EGSL	4950							
EAMM-U-110-D60-100A-120-S1	ESBF	5020							
EAMM-U-110-D80-80G-120	ESBF	5240	28, 34						
EAMM-U-110-D80-80G-120-S1		5310							
EAMM-U-110-D80-120GA-120	ESBF, EGSL	5250							
EAMM-U-110-D80-100A-120	ESBF	5070							
EAMM-U-110-D80-100A-120-S1		5140							
EAMM-U-145-D80-126AA-188	ESBF, EGSL	50		2270	4000	2.0	12000		
EAMM-U-145-D80-90GA-188			12000						

Datasheet

General technical data													
Type	For axis	Transferable torque [Nm]	Mass moment of inertia [kgmm ²]	Max. rotational speed [rpm]	No-load driving torque [Nm]	Weight [g]	→ Page						
EAMM-U-145-D80-140A-188	ESBF	50	2270	4000	2.0	11900	28						
EAMM-U-145-D80-140A-188-S1						12100							
EAMM-U-145-D80-150A-188						11500							
EAMM-U-145-D80-150A-188-S1						11600							
EAMM-U-145-D100-120G-188						12000							
EAMM-U-145-D100-120G-188-S1						12100							
EAMM-U-145-D100-140A-188						11800							
EAMM-U-145-D100-140A-188-S1						11900							
EAMM-U-145-D100-150A-188						11400							
EAMM-U-145-D100-150A-188-S1						11500							
EAMM-U-50-S38-38AA-78	ELGA-BS, EGC-BS, EGC-HD-BS	1	12.1	6000	0.01	600	38						
EAMM-U-50-S38-40A-78						580							
EAMM-U-50-S38-40P-78						577							
EAMM-U-50-S38-42A-78						590							
EAMM-U-60-S38-40G-91	ELGA-BS, EGC-BS, EGC-HD-BS	3	26.7	6000	0.07	1040							
EAMM-U-60-S38-40R-91						1150							
EAMM-U-60-S38-55A-91						990							
EAMM-U-60-S38-57A-91						1090							
EAMM-U-60-S38-57AC-91						1150							
EAMM-U-60-S38-58AA-91						1150							
EAMM-U-60-S38-50GA-91						1150							
EAMM-U-60-S38-60P-91						1120							
EAMM-U-60-S38-60RA-91						1150							
EAMM-U-60-S48-40G-91						1110							
EAMM-U-60-S48-40R-91						1150							
EAMM-U-60-S48-50GA-91						1150							
EAMM-U-60-S48-55A-91						1060							
EAMM-U-60-S48-57A-91						1160							
EAMM-U-60-S48-58AA-91						1150							
EAMM-U-60-S48-60AA-91						1150							
EAMM-U-70-S48-60G-96						ELGA-BS, EGC-BS, EGC-HD-BS		7	118	5000	0.18	1780	38
EAMM-U-70-S48-60H-96												1780	
EAMM-U-70-S48-60P-96	1790												
EAMM-U-70-S48-60R-96	1790												
EAMM-U-70-S48-60RA-96	1800												
EAMM-U-70-S48-70A-96	1750												
EAMM-U-70-S48-70AB-96	1150												
EAMM-U-86-S48-58AA-102	ELGA-BS, EGC-BS, EGC-HD-BS	9.5	175	5000	0.25	2500	38						
EAMM-U-86-S48-60G-102						2480							
EAMM-U-86-S48-60H-102						2470							
EAMM-U-86-S48-60P-102						2500							
EAMM-U-86-S48-60RB-102						2500							
EAMM-U-86-S48-70A-102						2440							
EAMM-U-86-S48-70AA-102						2500							
EAMM-U-86-S48-70GA-102						2500							
EAMM-U-86-S48-82AA-102						2500							
EAMM-U-86-S48-84AA-102						2500							
EAMM-U-86-S48-87A-102						2500							
EAMM-U-86-S48-58AA-177						3300							
EAMM-U-86-S48-60G-177						3300							
EAMM-U-86-S48-60P-177						3300							
EAMM-U-86-S48-60PA-177						3300							
EAMM-U-86-S48-60PB-177						3300							
EAMM-U-86-S48-70A-177						3300							

Datasheet

General technical data													
Type	For axis	Transferable torque [Nm]	Mass moment of inertia [kgmm ²]	Max. rotational speed [rpm]	No-load driving torque [Nm]	Weight [g]	→ Page						
EAMM-U-86-S48-70AA-177	ELGA-BS, EGC-BS, EGC-HD-BS	9.5	175	5000	0.25	3300	38						
EAMM-U-86-S48-70AB-177						3300							
EAMM-U-86-S48-70GA-177						3300							
EAMM-U-86-S48-82AA-177						3300							
EAMM-U-86-S48-84AA-177						3300							
EAMM-U-86-S48-87A-177						3270							
EAMM-U-86-S62-60PA-102						2500							
EAMM-U-86-S62-70A-102						2500							
EAMM-U-86-S62-70AA-102						2500							
EAMM-U-86-S62-70AB-102						2500							
EAMM-U-86-S62-82AA-102						2500							
EAMM-U-86-S62-87A-102						2500							
EAMM-U-86-S62-55A-177						3300							
EAMM-U-86-S62-60G-177						3300							
EAMM-U-86-S62-60H-177						3290							
EAMM-U-86-S62-60PA-177						3300							
EAMM-U-86-S62-70A-177						3270							
EAMM-U-86-S62-70AA-177						3300							
EAMM-U-86-S62-70AB-177						3300							
EAMM-U-86-S62-70GA-177						3300							
EAMM-U-86-S62-80PB-177						3300							
EAMM-U-86-S62-80P-177						3130							
EAMM-U-86-S62-82AA-177						3300							
EAMM-U-86-S62-87A-177	3330												
EAMM-U-110-S62-84AA-120	ELGA-BS, EGC-BS, EGC-HD-BS	25	799	5000	0.3	5250							
EAMM-U-110-S62-88A-120						5250							
EAMM-U-110-S62-84AA-207						6900							
EAMM-U-110-S62-88A-207						6900							
EAMM-U-110-S62-100A-207						6900							
EAMM-U-110-S95-100A-207						EGC-BS						6810	
EAMM-U-110-S95-80G-207												6940	
EAMM-U-110-S95-90GA-207												6940	
EAMM-U-110-S95-84AA-207						ELGA-BS, EGC-BS						6900	
EAMM-U-145-S62-126AA-288						ELGA-BS, EGC-BS, EGC-HD-BS		50	2270	4000	2.0	15000	
EAMM-U-145-S62-140A-288	15030												
EAMM-U-145-S62-150A-288	ELGA-BS, EGC-BS					14600							
EAMM-U-145-S95-140A-288						14850							
EAMM-U-145-S95-150A-288						14500							

Operating and environmental conditions

Gear ratio		1:1
Ambient temperature	[°C]	-10 ... +60
Storage temperature	[°C]	-25 ... +60
Degree of protection ¹⁾		
EAMM-U-...		IP40
EAMM-U-...-S1		IP65
Relative humidity	[%]	0 ... 95
Corrosion resistance class CRC ²⁾		2
Note on materials		RoHS-compliant
LABS (PWIS) conformity		VDMA24364 zone III

1) Only in combination with attached motor and axis.

2) Corrosion resistance class CRC 2 to Festo standard FN 940070

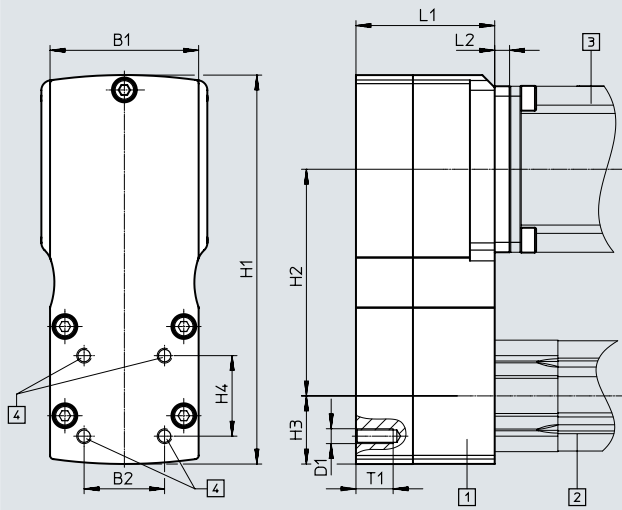
Moderate corrosion stress. Indoor applications in which condensation can occur. External visible parts with primarily decorative surface requirements which are in direct contact with a normal industrial environment.

Datasheet

Dimensions and ordering data

Download CAD data → www.festo.com

ESBF-BS-...



Schematic diagram:

- [1] Parallel kit
- [2] Electric cylinder
- [3] Motor
- [4] Interface for mounting accessories
- [5] Only with EAMM-U-...-S1 (with degree of protection IP65)

Type	B1	B2	D1	H1	H2 ±1	H3	H4	L1	L2	T1	Part no.	Type							
EAMM-U-50-D32-32B-78	50	32.5	M6	128.8	78	22.8	32.5	45	-	15	1570862	EAMM-U-50-D32-32B-78							
EAMM-U-50-D32-38AA-78											8058924	EAMM-U-50-D32-38AA-78							
EAMM-U-50-D32-40RA-78											8058925	EAMM-U-50-D32-40RA-78							
EAMM-U-50-D32-40A-78											1201591	EAMM-U-50-D32-40A-78							
EAMM-U-50-D32-40A-78-S1											1202302	EAMM-U-50-D32-40A-78-S1							
EAMM-U-50-D32-40P-48											8164734	EAMM-U-50-D32-40P-48							
EAMM-U-50-D32-40P-78											★ 2153283	EAMM-U-50-D32-40P-78							
EAMM-U-50-D32-40P-78-S1											2154009	EAMM-U-50-D32-40P-78-S1							
EAMM-U-50-D32-42A-78											★ 1201607	EAMM-U-50-D32-42A-78							
EAMM-U-50-D32-42A-78-S1											1202312	EAMM-U-50-D32-42A-78-S1							
EAMM-U-60-D32-40G-91	60	32.5	M6	157	91.5	27.5	32.5	56	8	15	1577358	EAMM-U-60-D32-40G-91							
EAMM-U-60-D32-40G-91-S1									8.5		1577346	EAMM-U-60-D32-40G-91-S1							
EAMM-U-60-D32-55A-91									38		38	M6	157	91.5	27.5	56	-	1210126	EAMM-U-60-D32-55A-91
EAMM-U-60-D32-55A-91-S1																		1210450	EAMM-U-60-D32-55A-91-S1
EAMM-U-60-D32-57A-91																		★ 1210419	EAMM-U-60-D32-57A-91
EAMM-U-60-D32-57A-91-S1																		1210453	EAMM-U-60-D32-57A-91-S1
EAMM-U-60-D32-57AC-91																		8058929	EAMM-U-60-D32-57AC-91
EAMM-U-60-D32-58AA-91																		8058930	EAMM-U-60-D32-58AA-91
EAMM-U-60-D32-60RB-91																		8058932	EAMM-U-60-D32-60RB-91
EAMM-U-60-D32-60AA-91																		8123498	EAMM-U-60-D32-60AA-91
EAMM-U-60-D32-60P-91	4	8125069	EAMM-U-60-D32-60P-91																
EAMM-U-60-D32-60RA-91	-	8123497	EAMM-U-60-D32-60RA-91																
EAMM-U-60-D40-40G-91	38	38	M6	157	91.5	27.5	56	8	15	1577165	EAMM-U-60-D40-40G-91								
EAMM-U-60-D40-40G-91-S1								8.5		1435968	EAMM-U-60-D40-40G-91-S1								
EAMM-U-60-D40-40R-91								-		-	M6	157	91.5	27.5	56	-	8058934	EAMM-U-60-D40-40R-91	
EAMM-U-60-D40-50GA-91																	8058935	EAMM-U-60-D40-50GA-91	
EAMM-U-60-D40-55A-91																	1210438	EAMM-U-60-D40-55A-91	
EAMM-U-60-D40-55A-91-S1																	1210458	EAMM-U-60-D40-55A-91-S1	
EAMM-U-60-D40-57A-91																	★ 1210442	EAMM-U-60-D40-57A-91	
EAMM-U-60-D40-57A-91-S1																	1210462	EAMM-U-60-D40-57A-91-S1	
EAMM-U-60-D40-57AC-91																	8058939	EAMM-U-60-D40-57AC-91	
EAMM-U-60-D40-58AA-91																	8058940	EAMM-U-60-D40-58AA-91	
EAMM-U-60-D40-60P-61	8164735	EAMM-U-60-D40-60P-61																	
EAMM-U-60-D40-60R-91	1210446	EAMM-U-60-D40-60R-91																	

Festo Core Range

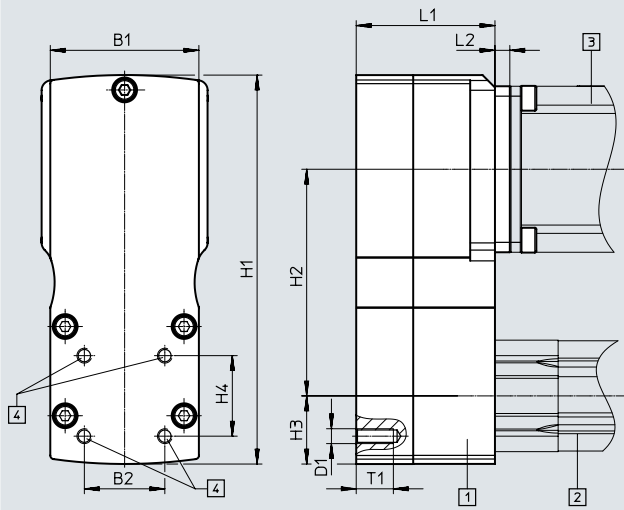
- ★ Generally ready for shipping ex works in 24 hours
- ★ Generally ready for shipping ex works in 5 days

Datasheet

Dimensions and ordering data

Download CAD data → www.festo.com

ESBF-BS-...



Schematic diagram:

- [1] Parallel kit
- [2] Electric cylinder
- [3] Motor
- [4] Interface for mounting accessories
- [5] Only with EAMM-U-...-S1 (with degree of protection IP65)

Type	B1	B2	D1	H1	H2 ±1	H3	H4	L1	L2	T1	Part no.	Type
EAMM-U-70-D32-60G-96	70	32.5	M6	173.5	96	34.5	32.5	64.5	8	15	2748181	EAMM-U-70-D32-60G-96
EAMM-U-70-D32-60G-96-S1									8.5		2778302	EAMM-U-70-D32-60G-96-S1
EAMM-U-70-D32-60H-96									8		2778393	EAMM-U-70-D32-60H-96
EAMM-U-70-D32-60H-96-S1									8.5		2781450	EAMM-U-70-D32-60H-96-S1
EAMM-U-70-D32-60P-96									★ 2619586		EAMM-U-70-D32-60P-96	
EAMM-U-70-D32-60P-96-S1									2619688		EAMM-U-70-D32-60P-96-S1	
EAMM-U-70-D32-68GA-96									8058951		EAMM-U-70-D32-68GA-96	
EAMM-U-70-D32-70A-96									2755565		EAMM-U-70-D32-70A-96	
EAMM-U-70-D32-70A-96-S1									2781711		EAMM-U-70-D32-70A-96-S1	
EAMM-U-70-D32-70AA-96									8123499		EAMM-U-70-D32-70AA-96	
EAMM-U-70-D40-60G-96									8		2785471	EAMM-U-70-D40-60G-96
EAMM-U-70-D40-60G-96-S1									8.5		2785542	EAMM-U-70-D40-60G-96-S1
EAMM-U-70-D40-60H-96									8		2786101	EAMM-U-70-D40-60H-96
EAMM-U-70-D40-60H-96-S1									8.5		2786137	EAMM-U-70-D40-60H-96-S1
EAMM-U-70-D40-60P-96									★ 2617488		EAMM-U-70-D40-60P-96	
EAMM-U-70-D40-60P-96-S1	2546123	EAMM-U-70-D40-60P-96-S1										
EAMM-U-70-D40-60RA-96	8058952	EAMM-U-70-D40-60RA-96										
EAMM-U-70-D40-68GA-96	17	8058954	EAMM-U-70-D40-68GA-96									
EAMM-U-70-D40-70A-96	2786204	EAMM-U-70-D40-70A-96										
EAMM-U-70-D40-70A-96-S1	2786316	EAMM-U-70-D40-70A-96-S1										
EAMM-U-70-D50-60P-96	70	46.5	M8	173.5	96	34.5	46.5	66.5	-	15	8123171	EAMM-U-70-D50-60P-96
EAMM-U-70-D50-60RA-96									8058963		EAMM-U-70-D50-60RA-96	
EAMM-U-70-D50-68GA-96									8058965		EAMM-U-70-D50-68GA-96	
EAMM-U-70-D50-70A-96									2786899		EAMM-U-70-D50-70A-96	
EAMM-U-70-D50-70A-96-S1									2756078		EAMM-U-70-D50-70A-96-S1	

Festo Core Range

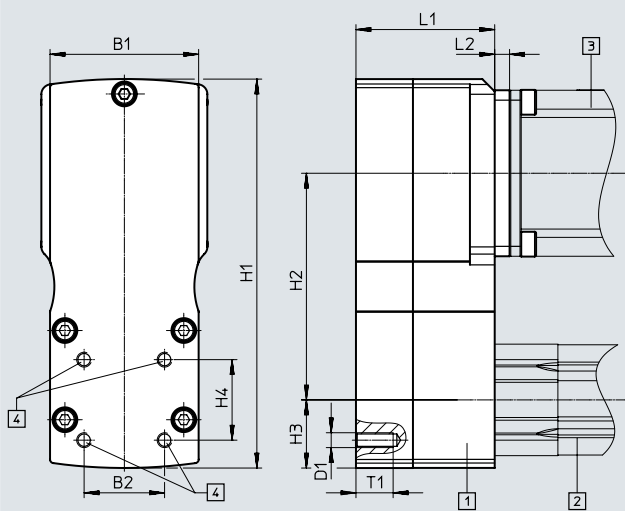
- ★ Generally ready for shipping ex works in 24 hours
- ★ Generally ready for shipping ex works in 5 days

Datasheet

Dimensions and ordering data

Download CAD data → www.festo.com

ESBF-BS-...



Schematic diagram:

- [1] Parallel kit
- [2] Electric cylinder
- [3] Motor
- [4] Interface for mounting accessories
- [5] Only with EAMM-U-...-S1 (with degree of protection IP65)

Type	B1	B2	D1	H1	H2 ±1	H3	H4	L1	L2	T1	Part no.	Type
EAMM-U-86-D40-60G-102	86	38	M6	188.5	102.5	38	38	69	8	16	1586445	EAMM-U-86-D40-60G-102
EAMM-U-86-D40-60G-102-S1									8.5		1586429	EAMM-U-86-D40-60G-102-S1
EAMM-U-86-D40-60H-102									8		1586496	EAMM-U-86-D40-60H-102
EAMM-U-86-D40-60H-102-S1									8.5		1586372	EAMM-U-86-D40-60H-102-S1
EAMM-U-86-D40-60PA-102									8058972		EAMM-U-86-D40-60PA-102	
EAMM-U-86-D40-70A-102									1212826		EAMM-U-86-D40-70A-102	
EAMM-U-86-D40-70A-102-S1									1212854		EAMM-U-86-D40-70A-102-S1	
EAMM-U-86-D40-70AA-102									8058973		EAMM-U-86-D40-70AA-102	
EAMM-U-86-D40-80P-102									★ 2802441		EAMM-U-86-D40-80P-102	
EAMM-U-86-D40-80P-102-S1									2802656		EAMM-U-86-D40-80P-102-S1	
EAMM-U-86-D40-80PB-102									2		8123501	EAMM-U-86-D40-80PB-102
EAMM-U-86-D40-82AA-102									-		8058975	EAMM-U-86-D40-82AA-102
EAMM-U-86-D40-84AA-102									10.5		8058976	EAMM-U-86-D40-84AA-102
EAMM-U-86-D40-87A-102									★ 1215802		EAMM-U-86-D40-87A-102	
EAMM-U-86-D40-87A-102-S1									-		1215814	EAMM-U-86-D40-87A-102-S1
EAMM-U-86-D50-60G-102									86		46.5	M8
EAMM-U-86-D50-60G-102-S1	8.5	2803197	EAMM-U-86-D50-60G-102-S1									
EAMM-U-86-D50-60H-102	8	2803326	EAMM-U-86-D50-60H-102									
EAMM-U-86-D50-60H-102-S1	8.5	2803325	EAMM-U-86-D50-60H-102-S1									
EAMM-U-86-D50-70GA-102	14	8107044	EAMM-U-86-D50-70GA-102									
EAMM-U-86-D50-80P-102	★ 2803053	EAMM-U-86-D50-80P-102										
EAMM-U-86-D50-80P-102-S1	2803073	EAMM-U-86-D50-80P-102-S1										
EAMM-U-86-D50-80PB-102	-	8107089	EAMM-U-86-D50-80PB-102									
EAMM-U-86-D50-87A-102	★ 2802708	EAMM-U-86-D50-87A-102										
EAMM-U-86-D50-87A-102-S1	2802742	EAMM-U-86-D50-87A-102-S1										

Festo Core Range

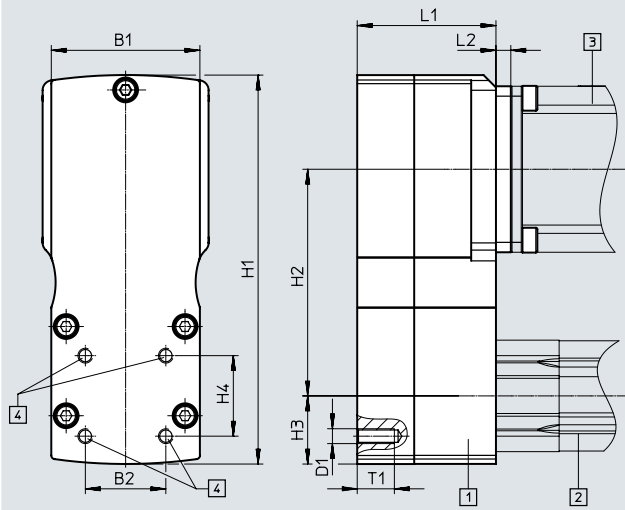
- ★ Generally ready for shipping ex works in 24 hours
- ★ Generally ready for shipping ex works in 5 days

Datasheet

Dimensions and ordering data

Download CAD data → www.festo.com

ESBF-BS-...



Schematic diagram:

- [1] Parallel kit
- [2] Electric cylinder
- [3] Motor
- [4] Interface for mounting accessories
- [5] Only with EAMM-U-...-S1 (with degree of protection IP65)

Type	B1	B2	D1	H1	H2 ±1	H3	H4	L1	L2	T1	Part no.	Type
EAMM-U-86-D60-55A-102	86	56.5	M8	188.5	102.5	38	56.5	67	-	16	8058979	EAMM-U-86-D60-55A-102
EAMM-U-86-D60-57AA-102								8058980			EAMM-U-86-D60-57AA-102	
EAMM-U-86-D60-58AA-102								8058981			EAMM-U-86-D60-58AA-102	
EAMM-U-86-D60-60G-102								1586347			EAMM-U-86-D60-60G-102	
EAMM-U-86-D60-60G-102-S1								1437163			EAMM-U-86-D60-60G-102-S1	
EAMM-U-86-D60-60H-102								1586276			EAMM-U-86-D60-60H-102	
EAMM-U-86-D60-60H-102-S1								1530837			EAMM-U-86-D60-60H-102-S1	
EAMM-U-86-D60-60P-102								8058982			EAMM-U-86-D60-60P-102	
EAMM-U-86-D60-60PA-102								8058983			EAMM-U-86-D60-60PA-102	
EAMM-U-86-D60-60RB-102								8058986			EAMM-U-86-D60-60RB-102	
EAMM-U-86-D60-70A-102								1212477			EAMM-U-86-D60-70A-102	
EAMM-U-86-D60-70A-102-S1								1212835			EAMM-U-86-D60-70A-102-S1	
EAMM-U-86-D60-70AA-102								8058988			EAMM-U-86-D60-70AA-102	
EAMM-U-86-D60-70GA-102								8058990			EAMM-U-86-D60-70GA-102	
EAMM-U-86-D60-80P-102								★ 2155875			EAMM-U-86-D60-80P-102	
EAMM-U-86-D60-80P-102-S1								2156527			EAMM-U-86-D60-80P-102-S1	
EAMM-U-86-D60-80PB-102								8107722			EAMM-U-86-D60-80PB-102	
EAMM-U-86-D60-82AA-102								8058992			EAMM-U-86-D60-82AA-102	
EAMM-U-86-D60-84AA-102								8058993			EAMM-U-86-D60-84AA-102	
EAMM-U-86-D60-87A-102								★ 1215784			EAMM-U-86-D60-87A-102	
EAMM-U-86-D60-87A-102-S1	1215810	EAMM-U-86-D60-87A-102-S1										

Festo Core Range

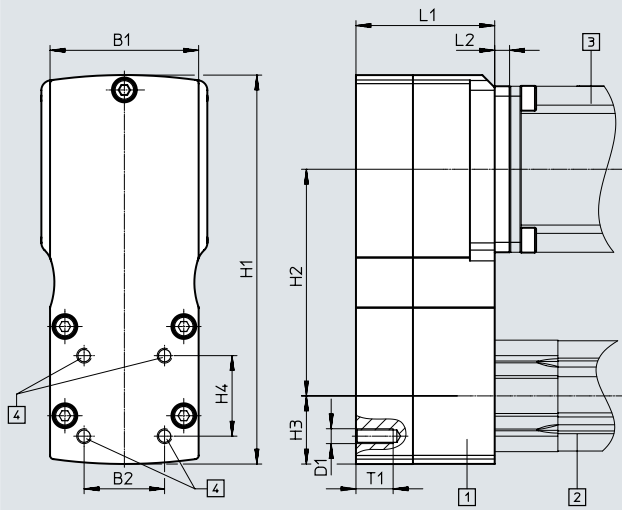
- ★ Generally ready for shipping ex works in 24 hours
- ★ Generally ready for shipping ex works in 5 days

Datasheet

Dimensions and ordering data

Download CAD data → www.festo.com

ESBF-BS-...



Schematic diagram:

- [1] Parallel kit
- [2] Electric cylinder
- [3] Motor
- [4] Interface for mounting accessories
- [5] Only with EAMM-U-...-S1 (with degree of protection IP65)

Type	B1	B2	D1	H1	H2 ±1	H3	H4	L1	L2	T1	Part no.	Type
EAMM-U-110-D50-60G-120	110	46.5	M8	225	120	45	46.5	82	8	16	2797368	EAMM-U-110-D50-60G-120
EAMM-U-110-D50-60G-120-S1									8.5		2798665	EAMM-U-110-D50-60G-120-S1
EAMM-U-110-D50-60H-120									8		2798760	EAMM-U-110-D50-60H-120
EAMM-U-110-D50-60H-120-S1									8.5		2799150	EAMM-U-110-D50-60H-120-S1
EAMM-U-110-D50-80G-120									10		2799196	EAMM-U-110-D50-80G-120
EAMM-U-110-D50-80G-120-S1									10.5		2799281	EAMM-U-110-D50-80G-120-S1
EAMM-U-110-D50-84AA-120									-		8107241	EAMM-U-110-D50-84AA-120
EAMM-U-110-D50-100A-120									★ 2799424		EAMM-U-110-D50-100A-120	
EAMM-U-110-D50-100A-120-S1									-		2799488	EAMM-U-110-D50-100A-120-S1
EAMM-U-110-D50-120GA-120									-		8059040	EAMM-U-110-D50-120GA-120
EAMM-U-110-D60-60G-120									110		56.5	M8
EAMM-U-110-D60-60G-120-S1	8.5	1436183	EAMM-U-110-D60-60G-120-S1									
EAMM-U-110-D60-60H-120	8	1542264	EAMM-U-110-D60-60H-120									
EAMM-U-110-D60-60H-120-S1	8.5	1530621	EAMM-U-110-D60-60H-120-S1									
EAMM-U-110-D60-80G-120	10	1532949	EAMM-U-110-D60-80G-120									
EAMM-U-110-D60-80G-120-S1	10.5	1530875	EAMM-U-110-D60-80G-120-S1									
EAMM-U-110-D60-84AA-120	-	8059043	EAMM-U-110-D60-84AA-120									
EAMM-U-110-D60-88A-120	-	8059044	EAMM-U-110-D60-88A-120									
EAMM-U-110-D60-90GA-120	16.5	8107723	EAMM-U-110-D60-90GA-120									
EAMM-U-110-D60-100A-120	-	★ 1202436	EAMM-U-110-D60-100A-120									
EAMM-U-110-D60-100A-120-S1	-	1203112	EAMM-U-110-D60-100A-120-S1									
EAMM-U-110-D60-120GA-120	-	8059046	EAMM-U-110-D60-120GA-120									

Festo Core Range

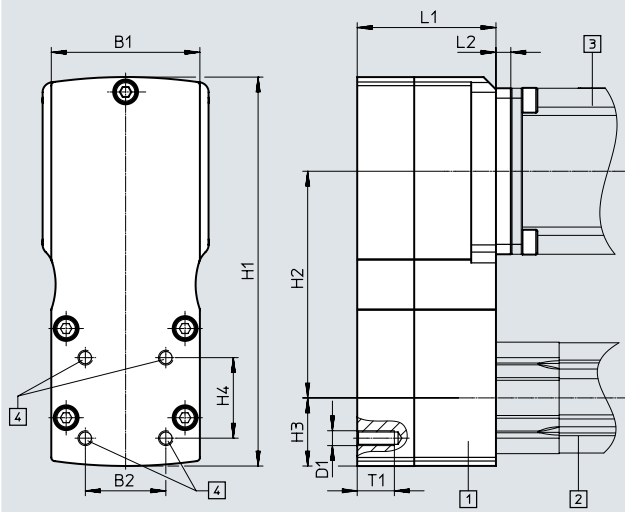
- ★ Generally ready for shipping ex works in 24 hours
- ★ Generally ready for shipping ex works in 5 days

Datasheet

Dimensions and ordering data

Download CAD data → www.festo.com

ESBF-BS-...



Schematic diagram:

- [1] Parallel kit
- [2] Electric cylinder
- [3] Motor
- [4] Interface for mounting accessories
- [5] Only with EAMM-U-...-S1 (with degree of protection IP65)

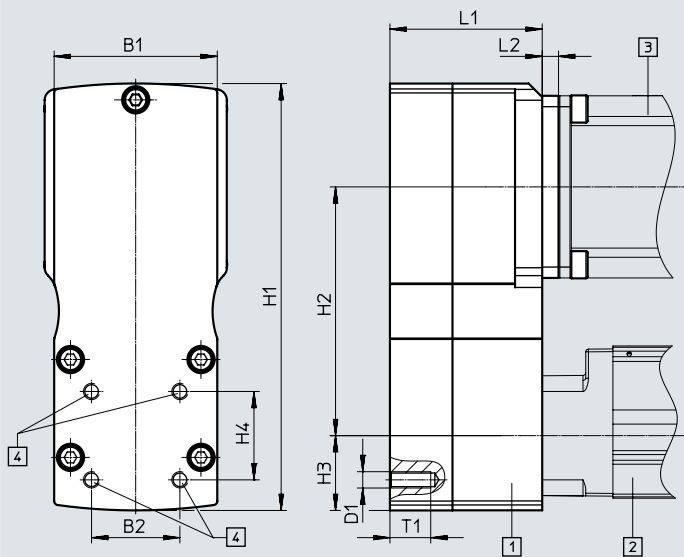
Type	B1	B2	D1	H1	H2 ±1	H3	H4	L1	L2	T1	Part no.	Type
EAMM-U-110-D80-80G-120	110	72	M10	235	120	55	72	82	10	20.5	1589614	EAMM-U-110-D80-80G-120
10.5									1589706		EAMM-U-110-D80-80G-120-S1	
-									8059048		EAMM-U-110-D80-84AA-120	
-									1465438		EAMM-U-110-D80-100A-120	
-									1433650		EAMM-U-110-D80-100A-120-S1	
EAMM-U-110-D80-120GA-120											8059050	EAMM-U-110-D80-120GA-120
EAMM-U-145-D80-90GA-188	145	72	M10	348	188	70	72	99.5	15	25	8105897	EAMM-U-145-D80-90GA-188
									8059069		EAMM-U-145-D80-126AA-188	
									1465530		EAMM-U-145-D80-140A-188	
									1433709		EAMM-U-145-D80-140A-188-S1	
									8157285		EAMM-U-145-D80-150A-188	
EAMM-U-145-D80-150A-188-S1											8157286	EAMM-U-145-D80-150A-188-S1
EAMM-U-145-D100-120G-188	145	89	M10	348	188	70	89	99.5	14	25	2803620	EAMM-U-145-D100-120G-188
EAMM-U-145-D100-120G-188-S1									14.5		2803622	EAMM-U-145-D100-120G-188-S1
EAMM-U-145-D100-140A-188											1465541	EAMM-U-145-D100-140A-188
EAMM-U-145-D100-140A-188-S1											1433852	EAMM-U-145-D100-140A-188-S1
EAMM-U-145-D100-150A-188											8157283	EAMM-U-145-D100-150A-188
EAMM-U-145-D100-150A-188-S1											8157284	EAMM-U-145-D100-150A-188-S1

Datasheet

Dimensions and ordering data

Download CAD data → www.festo.com

EGSL...



Schematic diagram:

- [1] Parallel kit
- [2] Mini slide
- [3] Motor
- [4] Interface for mounting accessories

Type	B1	B2	D1	H1	H2 ±1	H3	H4	L1	L2	T1	Part no.	Type			
EAMM-U-50-D19-38AA-78	50	32.5	M6	128.8	78	22.8	32.5	45	-	15	8107032	EAMM-U-50-D19-38AA-78			
EAMM-U-50-D19-40R-78											8107034	EAMM-U-50-D19-40R-78			
EAMM-U-50-D32-32B-78											1570862	EAMM-U-50-D32-32B-78			
EAMM-U-50-D32-38AA-78											8058924	EAMM-U-50-D32-38AA-78			
EAMM-U-50-D32-40RA-78											8058925	EAMM-U-50-D32-40RA-78			
EAMM-U-50-D32-40A-78											1201591	EAMM-U-50-D32-40A-78			
EAMM-U-50-D32-40A-78-S1											1202302	EAMM-U-50-D32-40A-78-S1			
EAMM-U-50-D32-40P-48											8164734	EAMM-U-50-D32-40P-48			
EAMM-U-50-D32-40P-78											★ 2153283	EAMM-U-50-D32-40P-78			
EAMM-U-50-D32-40P-78-S1											2154009	EAMM-U-50-D32-40P-78-S1			
EAMM-U-50-D32-42A-78											★ 1201607	EAMM-U-50-D32-42A-78			
EAMM-U-50-D32-42A-78-S1											1202312	EAMM-U-50-D32-42A-78-S1			
EAMM-U-60-D32-40G-91											60	32.5	M6	157	91.5
EAMM-U-60-D32-40G-91-S1	8.5	1577346	EAMM-U-60-D32-40G-91-S1												
EAMM-U-60-D32-55A-91	-	1210126	EAMM-U-60-D32-55A-91												
EAMM-U-60-D32-55A-91-S1		1210450	EAMM-U-60-D32-55A-91-S1												
EAMM-U-60-D32-57A-91		★ 1210419	EAMM-U-60-D32-57A-91												
EAMM-U-60-D32-57A-91-S1		1210453	EAMM-U-60-D32-57A-91-S1												
EAMM-U-60-D32-57AC-91		8058929	EAMM-U-60-D32-57AC-91												
EAMM-U-60-D32-58AA-91		8058930	EAMM-U-60-D32-58AA-91												
EAMM-U-60-D32-60RB-91		8058932	EAMM-U-60-D32-60RB-91												
EAMM-U-60-D32-60AA-91		8123498	EAMM-U-60-D32-60AA-91												
EAMM-U-60-D32-60P-91		8125069	EAMM-U-60-D32-60P-91												
EAMM-U-60-D32-60RA-91		8123497	EAMM-U-60-D32-60RA-91												
EAMM-U-60-D40-40G-91	38	38	-	8	1577165	EAMM-U-60-D40-40G-91									
EAMM-U-60-D40-40G-91-S1				8.5	1435968	EAMM-U-60-D40-40G-91-S1									
EAMM-U-60-D40-40R-91				8058934	EAMM-U-60-D40-40R-91										
EAMM-U-60-D40-50GA-91				8058935	EAMM-U-60-D40-50GA-91										
EAMM-U-60-D40-55A-91				1210438	EAMM-U-60-D40-55A-91										
EAMM-U-60-D40-55A-91-S1				1210458	EAMM-U-60-D40-55A-91-S1										

Festo Core Range

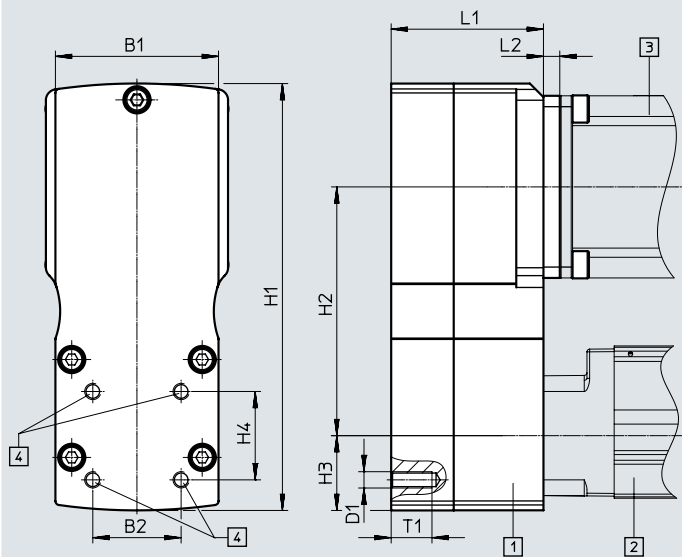
- ★ Generally ready for shipping ex works in 24 hours
- ☆ Generally ready for shipping ex works in 5 days

Datasheet

Dimensions and ordering data

Download CAD data → www.festo.com

EGSL...



Schematic diagram:

- [1] Parallel kit
- [2] Mini slide
- [3] Motor
- [4] Interface for mounting accessories

Type	B1	B2	D1	H1	H2 ±1	H3	H4	L1	L2	T1	Part no.	Type
EAMM-U-60-D40-57A-91	60	38	M6	157	91.5	27.5	38	56	-	15	★ 1210442	EAMM-U-60-D40-57A-91
EAMM-U-60-D40-57A-91-S1											1210462	EAMM-U-60-D40-57A-91-S1
EAMM-U-60-D40-57AC-91											8058939	EAMM-U-60-D40-57AC-91
EAMM-U-60-D40-58AA-91											8058940	EAMM-U-60-D40-58AA-91
EAMM-U-60-D40-60P-61											8164735	EAMM-U-60-D40-60P-61
EAMM-U-60-D40-60R-91											1210446	EAMM-U-60-D40-60R-91
EAMM-U-70-D32-60G-96	70	32.5	M6	173.5	96	34.5	32.5	64.5	8	15	2748181	EAMM-U-70-D32-60G-96
EAMM-U-70-D32-60G-96-S1									8.5		2778302	EAMM-U-70-D32-60G-96-S1
EAMM-U-70-D32-60H-96									8		2778393	EAMM-U-70-D32-60H-96
EAMM-U-70-D32-60H-96-S1									8.5		2781450	EAMM-U-70-D32-60H-96-S1
EAMM-U-70-D32-60P-96									★ 2619586		EAMM-U-70-D32-60P-96	
EAMM-U-70-D32-60P-96-S1									2619688		EAMM-U-70-D32-60P-96-S1	
EAMM-U-70-D32-68GA-96									8058951		EAMM-U-70-D32-68GA-96	
EAMM-U-70-D32-70A-96									2755565		EAMM-U-70-D32-70A-96	
EAMM-U-70-D32-70A-96-S1									2781711		EAMM-U-70-D32-70A-96-S1	
EAMM-U-70-D32-70AA-96									8123499		EAMM-U-70-D32-70AA-96	
EAMM-U-70-D40-60G-96									8		2785471	EAMM-U-70-D40-60G-96
EAMM-U-70-D40-60G-96-S1									8.5		2785542	EAMM-U-70-D40-60G-96-S1
EAMM-U-70-D40-60H-96	8	2786101	EAMM-U-70-D40-60H-96									
EAMM-U-70-D40-60H-96-S1	8.5	2786137	EAMM-U-70-D40-60H-96-S1									
EAMM-U-70-D40-60P-96	★ 2617488	EAMM-U-70-D40-60P-96										
EAMM-U-70-D40-60P-96-S1	2546123	EAMM-U-70-D40-60P-96-S1										
EAMM-U-70-D40-60RA-96	8058952	EAMM-U-70-D40-60RA-96										
EAMM-U-70-D40-68GA-96	8058954	EAMM-U-70-D40-68GA-96										
EAMM-U-70-D40-70A-96	2786204	EAMM-U-70-D40-70A-96										
EAMM-U-70-D40-70A-96-S1	2786316	EAMM-U-70-D40-70A-96-S1										

Festo Core Range

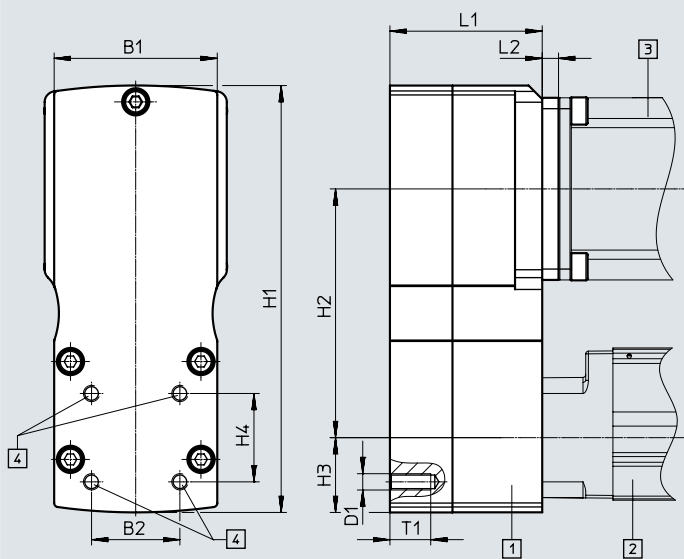
- ★ Generally ready for shipping ex works in 24 hours
- ★ Generally ready for shipping ex works in 5 days

Datasheet

Dimensions and ordering data

Download CAD data → www.festo.com

EGSL...



Schematic diagram:

- [1] Parallel kit
- [2] Mini slide
- [3] Motor
- [4] Interface for mounting accessories

Type	B1	B2	D1	H1	H2 ±1	H3	H4	L1	L2	T1	Part no.	Type
EAMM-U-86-D40-60G-102	86	38	M6	188.5	102.5	38	38	69	8	16	1586445	EAMM-U-86-D40-60G-102
EAMM-U-86-D40-60G-102-S1									8.5		1586429	EAMM-U-86-D40-60G-102-S1
EAMM-U-86-D40-60H-102									8		1586496	EAMM-U-86-D40-60H-102
EAMM-U-86-D40-60H-102-S1									8.5		1586372	EAMM-U-86-D40-60H-102-S1
EAMM-U-86-D40-60PA-102											8058972	EAMM-U-86-D40-60PA-102
EAMM-U-86-D40-70A-102											1212826	EAMM-U-86-D40-70A-102
EAMM-U-86-D40-70A-102-S1											1212854	EAMM-U-86-D40-70A-102-S1
EAMM-U-86-D40-70AA-102											8058973	EAMM-U-86-D40-70AA-102
EAMM-U-86-D40-80P-102											★ 2802441	EAMM-U-86-D40-80P-102
EAMM-U-86-D40-80P-102-S1											2802656	EAMM-U-86-D40-80P-102-S1
EAMM-U-86-D40-80PB-102											8123501	EAMM-U-86-D40-80PB-102
EAMM-U-86-D40-82AA-102											8058975	EAMM-U-86-D40-82AA-102
EAMM-U-86-D40-84AA-102											8058976	EAMM-U-86-D40-84AA-102
EAMM-U-86-D40-87A-102											★ 1215802	EAMM-U-86-D40-87A-102
EAMM-U-86-D40-87A-102-S1											1215814	EAMM-U-86-D40-87A-102-S1
EAMM-U-86-D60-55A-102									86		56.5	M8
EAMM-U-86-D60-57AA-102	-	8058980	EAMM-U-86-D60-57AA-102									
EAMM-U-86-D60-58AA-102		8058981	EAMM-U-86-D60-58AA-102									
EAMM-U-86-D60-60G-102	8	1586347	EAMM-U-86-D60-60G-102									
EAMM-U-86-D60-60G-102-S1	8.5	1437163	EAMM-U-86-D60-60G-102-S1									
EAMM-U-86-D60-60H-102	8	1586276	EAMM-U-86-D60-60H-102									
EAMM-U-86-D60-60H-102-S1	8.5	1530837	EAMM-U-86-D60-60H-102-S1									
EAMM-U-86-D60-60P-102		8058982	EAMM-U-86-D60-60P-102									
EAMM-U-86-D60-60PA-102		8058983	EAMM-U-86-D60-60PA-102									
EAMM-U-86-D60-60RB-102		8058986	EAMM-U-86-D60-60RB-102									
EAMM-U-86-D60-70A-102		1212477	EAMM-U-86-D60-70A-102									
EAMM-U-86-D60-70A-102-S1		1212835	EAMM-U-86-D60-70A-102-S1									
EAMM-U-86-D60-70AA-102		8058988	EAMM-U-86-D60-70AA-102									
EAMM-U-86-D60-70GA-102		8058990	EAMM-U-86-D60-70GA-102									

Festo Core Range

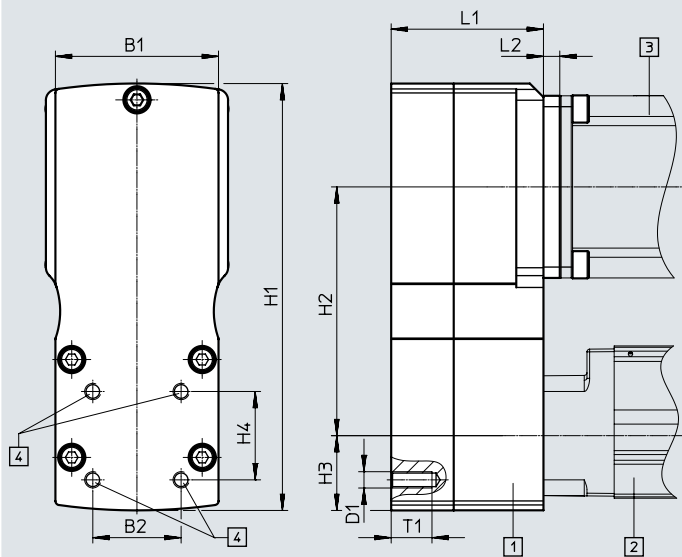
- ★ Generally ready for shipping ex works in 24 hours
- ★ Generally ready for shipping ex works in 5 days

Datasheet

Dimensions and ordering data

Download CAD data → www.festo.com

EGSL...



Schematic diagram:

- [1] Parallel kit
- [2] Mini slide
- [3] Motor
- [4] Interface for mounting accessories

Type	B1	B2	D1	H1	H2 ±1	H3	H4	L1	L2	T1	Part no.	Type										
EAMM-U-86-D60-80P-102	86	56.5	M8	188.5	102.5	38	56.5	71	-	16	★ 2155875	EAMM-U-86-D60-80P-102										
EAMM-U-86-D60-80P-102-S1											2156527	EAMM-U-86-D60-80P-102-S1										
EAMM-U-86-D60-80PB-102											8107722	EAMM-U-86-D60-80PB-102										
EAMM-U-86-D60-82AA-102											8058992	EAMM-U-86-D60-82AA-102										
EAMM-U-86-D60-84AA-102											8058993	EAMM-U-86-D60-84AA-102										
EAMM-U-86-D60-87A-102											★ 1215784	EAMM-U-86-D60-87A-102										
EAMM-U-86-D60-87A-102-S1											1215810	EAMM-U-86-D60-87A-102-S1										
EAMM-U-110-D60-60G-120											110	56.5	M8	225	120	45	56.5	82	8	16	1543240	EAMM-U-110-D60-60G-120
EAMM-U-110-D60-60G-120-S1																			8.5		1436183	EAMM-U-110-D60-60G-120-S1
EAMM-U-110-D60-60H-120																			8		1542264	EAMM-U-110-D60-60H-120
EAMM-U-110-D60-60H-120-S1	8.5	1530621	EAMM-U-110-D60-60H-120-S1																			
EAMM-U-110-D60-62B-120	-	1536988	EAMM-U-110-D60-62B-120																			
EAMM-U-110-D60-62B-120-S1	-	1431443	EAMM-U-110-D60-62B-120-S1																			
EAMM-U-110-D60-80G-120	10	1532949	EAMM-U-110-D60-80G-120																			
EAMM-U-110-D60-80G-120-S1	10.5	1530875	EAMM-U-110-D60-80G-120-S1																			
EAMM-U-110-D60-84AA-120	-	8059043	EAMM-U-110-D60-84AA-120																			
EAMM-U-110-D60-88A-120	-	8059044	EAMM-U-110-D60-88A-120																			
EAMM-U-110-D60-90GA-120	16.5	8107723	EAMM-U-110-D60-90GA-120																			
EAMM-U-110-D60-100A-120	-	-	-	-	-	-	-	-	-	-	★ 1202436	EAMM-U-110-D60-100A-120										
EAMM-U-110-D60-100A-120-S1											1203112	EAMM-U-110-D60-100A-120-S1										
EAMM-U-110-D60-120GA-120											8059046	EAMM-U-110-D60-120GA-120										

Festo Core Range

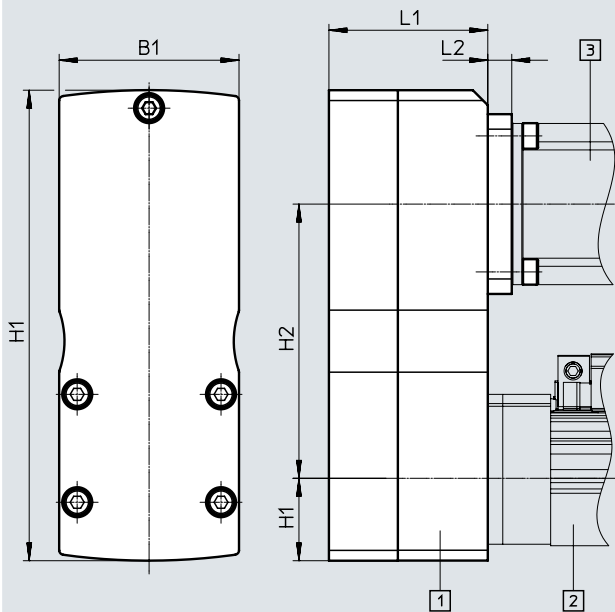
- ★ Generally ready for shipping ex works in 24 hours
- ★ Generally ready for shipping ex works in 5 days

Datasheet

Dimensions and ordering data

Download CAD data → www.festo.com

ELGA-BS/EGC-BS/EGC-HD-BS



Schematic diagram:

- [1] Parallel kit
- [2] Spindle axis
- [3] Motor

Type	B1	H1	H2 ±1	H3	L1	L2	Part no.	Type					
EAMM-U-50-S38-38AA-78	50	131	78	25	45	-	8058926	EAMM-U-50-S38-38AA-78					
EAMM-U-50-S38-40A-78	50	131	78	25	43	-	1217708	EAMM-U-50-S38-40A-78					
★ 2155239							EAMM-U-50-S38-40P-78						
★ 1217945							EAMM-U-50-S38-42A-78						
EAMM-U-60-S38-40G-91	60	157	91.5	27.5	53	8	2283732	EAMM-U-60-S38-40G-91					
EAMM-U-60-S38-40R-91						-	8058943	EAMM-U-60-S38-40R-91					
EAMM-U-60-S38-50GA-91						15.5	8107724	EAMM-U-60-S38-50GA-91					
EAMM-U-60-S38-55A-91						-	1218538	EAMM-U-60-S38-55A-91					
EAMM-U-60-S38-57A-91						-	★ 1218568	EAMM-U-60-S38-57A-91					
EAMM-U-60-S38-57AC-91						-	8058946	EAMM-U-60-S38-57AC-91					
EAMM-U-60-S38-58AA-91						-	8058947	EAMM-U-60-S38-58AA-91					
EAMM-U-60-S38-60P-91						7	8125092	EAMM-U-60-S38-60P-91					
EAMM-U-60-S38-60RA-91						-	8058948	EAMM-U-60-S38-60RA-91					
EAMM-U-60-S48-40G-91						60	161.5	91.5	32	54	8	2283760	EAMM-U-60-S48-40G-91
EAMM-U-60-S48-40R-91											-	8058949	EAMM-U-60-S48-40R-91
EAMM-U-60-S48-50GA-91	14.5	8105900	EAMM-U-60-S48-50GA-91										
EAMM-U-60-S48-55A-91	-	1219370	EAMM-U-60-S48-55A-91										
EAMM-U-60-S48-57A-91	-	★ 1219379	EAMM-U-60-S48-57A-91										
EAMM-U-60-S48-58AA-91	-	8058950	EAMM-U-60-S48-58AA-91										
EAMM-U-60-S48-60AA-91	8	8105898	EAMM-U-60-S48-60AA-91										
EAMM-U-70-S48-60G-96	70	173.5	96	34.5	64.5						8	2801627	EAMM-U-70-S48-60G-96
EAMM-U-70-S48-60H-96						8	2801715	EAMM-U-70-S48-60H-96					
EAMM-U-70-S48-60P-96						-	★ 2629253	EAMM-U-70-S48-60P-96					
EAMM-U-70-S48-60R-96						8	8105843	EAMM-U-70-S48-60R-96					
EAMM-U-70-S48-60RA-96						-	8058969	EAMM-U-70-S48-60RA-96					
EAMM-U-70-S48-70A-96						-	2787320	EAMM-U-70-S48-70A-96					
EAMM-U-70-S48-70AB-96						-	8058970	EAMM-U-70-S48-70AB-96					

Festo Core Range

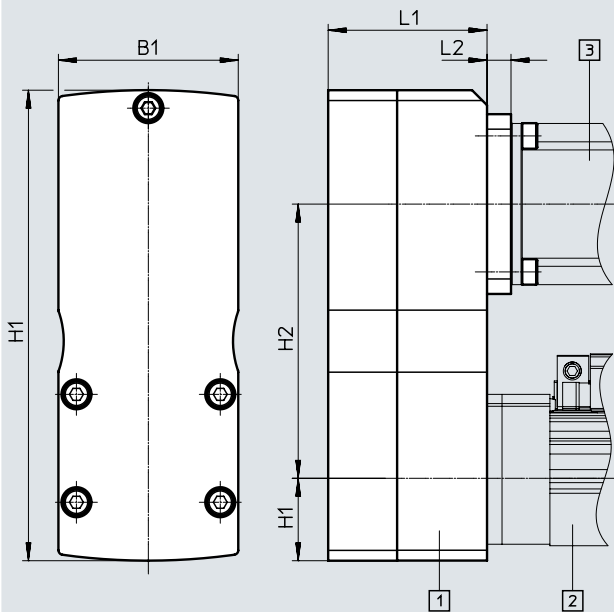
- ★ Generally ready for shipping ex works in 24 hours
- ★ Generally ready for shipping ex works in 5 days

Datasheet

Dimensions and ordering data

Download CAD data → www.festo.com

ELGA-BS/EGC-BS/EGC-HD-BS



Schematic diagram:

- [1] Parallel kit
- [2] Spindle axis
- [3] Motor

Type	B1	H1	H2 ±1	H3	L1	L2	Part no.	Type
EAMM-U-86-S48-58AA-102	86	188.5	102.5	38	67	-	8058995	EAMM-U-86-S48-58AA-102
EAMM-U-86-S48-60G-102						8	1587251	EAMM-U-86-S48-60G-102
EAMM-U-86-S48-60H-102						8	1587338	EAMM-U-86-S48-60H-102
EAMM-U-86-S48-60P-102						-	8058996	EAMM-U-86-S48-60P-102
EAMM-U-86-S48-60RB-102						-	8058997	EAMM-U-86-S48-60RB-102
EAMM-U-86-S48-70A-102						-	1217689	EAMM-U-86-S48-70A-102
EAMM-U-86-S48-70AA-102						-	8058999	EAMM-U-86-S48-70AA-102
EAMM-U-86-S48-70GA-102						8	8059000	EAMM-U-86-S48-70GA-102
EAMM-U-86-S48-82AA-102						-	8059002	EAMM-U-86-S48-82AA-102
EAMM-U-86-S48-84AA-102						8	8059003	EAMM-U-86-S48-84AA-102
EAMM-U-86-S48-87A-102	86	-	8059004	EAMM-U-86-S48-87A-102				
EAMM-U-86-S48-58AA-177	86	268.5	177.5	43	67	-	8059008	EAMM-U-86-S48-58AA-177
EAMM-U-86-S48-60G-177						8	8059009	EAMM-U-86-S48-60G-177
EAMM-U-86-S48-60P-177						-	8059011	EAMM-U-86-S48-60P-177
EAMM-U-86-S48-60PA-177						-	8059012	EAMM-U-86-S48-60PA-177
EAMM-U-86-S48-60RB-177						-	8059014	EAMM-U-86-S48-60RB-177
EAMM-U-86-S48-70A-177						-	8059016	EAMM-U-86-S48-70A-177
EAMM-U-86-S48-70AA-177						-	8059017	EAMM-U-86-S48-70AA-177
EAMM-U-86-S48-70AB-177						-	8059018	EAMM-U-86-S48-70AB-177
EAMM-U-86-S48-70GA-177						8	8059019	EAMM-U-86-S48-70GA-177
EAMM-U-86-S48-82AA-177						-	8059021	EAMM-U-86-S48-82AA-177
EAMM-U-86-S48-84AA-177	96	10.5	8059022	EAMM-U-86-S48-84AA-177				
EAMM-U-86-S48-87A-177	86	-	★ 1217604	EAMM-U-86-S48-87A-177				

Festo Core Range

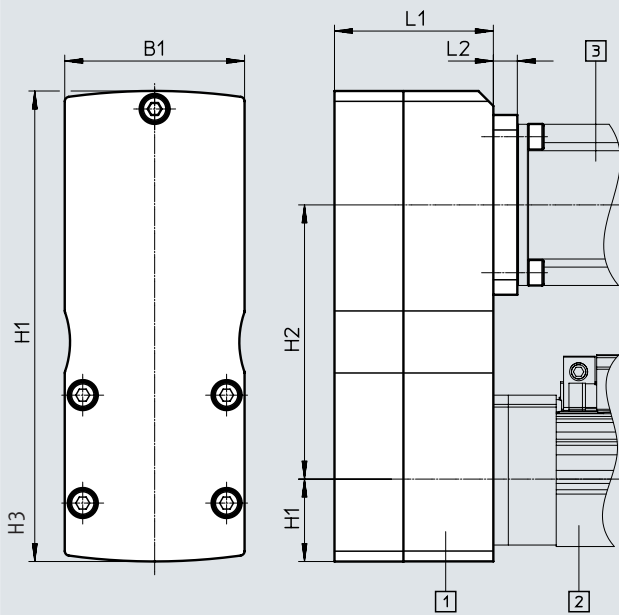
- ★ Generally ready for shipping ex works in 24 hours
- ★ Generally ready for shipping ex works in 5 days

Datasheet

Dimensions and ordering data

Download CAD data → www.festo.com

ELGA-BS/EGC-BS/EGC-HD-BS



Schematic diagram:

- [1] Parallel kit
- [2] Spindle axis
- [3] Motor

Type	B1	H1	H2 ±1	H3	L1	L2	Part no.	Type
EAMM-U-86-S62-60PA-102	86	193.5	102.5	43	69	-	8059026	EAMM-U-86-S62-60PA-102
EAMM-U-86-S62-70A-102							8059027	EAMM-U-86-S62-70A-102
EAMM-U-86-S62-70AA-102							8059028	EAMM-U-86-S62-70AA-102
EAMM-U-86-S62-82AA-102							8059031	EAMM-U-86-S62-82AA-102
EAMM-U-86-S62-87A-102							8059032	EAMM-U-86-S62-87A-102
EAMM-U-86-S62-55A-177	86	268.5	177.5	43	69	-	8059033	EAMM-U-86-S62-55A-177
EAMM-U-86-S62-60G-177						8	1587411	EAMM-U-86-S62-60G-177
EAMM-U-86-S62-60H-177						8	1587453	EAMM-U-86-S62-60H-177
EAMM-U-86-S62-60PA-177						-	8059034	EAMM-U-86-S62-60PA-177
EAMM-U-86-S62-70A-177							1217543	EAMM-U-86-S62-70A-177
EAMM-U-86-S62-70AA-177							8059036	EAMM-U-86-S62-70AA-177
EAMM-U-86-S62-70GA-177						14.5	8105902	EAMM-U-86-S62-70GA-177
EAMM-U-86-S62-80P-177						-	★ 2157004	EAMM-U-86-S62-80P-177
EAMM-U-86-S62-80PB-177						2	8105905	EAMM-U-86-S62-80PB-177
EAMM-U-86-S62-82AA-177						-	8059038	EAMM-U-86-S62-82AA-177
EAMM-U-86-S62-87A-177	★ 1217373	EAMM-U-86-S62-87A-177						
EAMM-U-110-S62-84AA-120	110	235	120	55	82	-	8059051	EAMM-U-110-S62-84AA-120
EAMM-U-110-S62-88A-120							8059052	EAMM-U-110-S62-88A-120
EAMM-U-110-S62-84AA-207	110	322.5	207.5	55	82	-	8059057	EAMM-U-110-S62-84AA-207
EAMM-U-110-S62-88A-207							8059058	EAMM-U-110-S62-88A-207
EAMM-U-110-S62-100A-207							★ 1217381	EAMM-U-110-S62-100A-207
EAMM-U-110-S95-80G-207						10	1589544	EAMM-U-110-S95-80G-207
EAMM-U-110-S95-84AA-207						-	8059063	EAMM-U-110-S95-84AA-207
EAMM-U-110-S95-90GA-207						16.5	8105907	EAMM-U-110-S95-90GA-207
EAMM-U-110-S95-100A-207						-	1220656	EAMM-U-110-S95-100A-207
EAMM-U-145-S62-126AA-288	145	448	288	70	99.5	-	8059073	EAMM-U-145-S62-126AA-288
EAMM-U-145-S62-140A-288							1219440	EAMM-U-145-S62-140A-288
EAMM-U-145-S62-150A-288							8157287	EAMM-U-145-S62-150A-288
EAMM-U-145-S95-140A-288							1220582	EAMM-U-145-S95-140A-288
EAMM-U-145-S95-150A-288							8157288	EAMM-U-145-S95-150A-288

Festo Core Range

- ★ Generally ready for shipping ex works in 24 hours
- ★ Generally ready for shipping ex works in 5 days

Accessories

Clamping element EADT

Material:

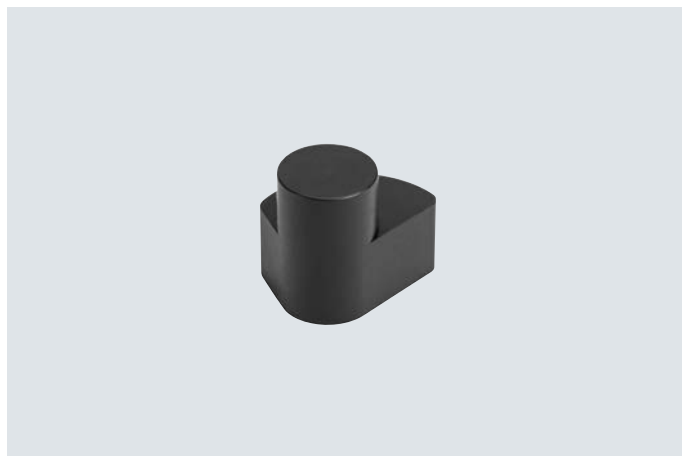
Polymer

RoHS-compliant

For adjusting the toothed belt pre-tension with EAMM-U-110 and EAMM-U-145.

The motor is pushed away from the axis mechanism by turning the clamping element secured in a hole in the housing (the motor can be moved in a slot for this purpose).

This enables high toothed belt pre-tension forces to be generated with low torques at the clamping element. Can only be used in combination with parallel kit EAMM-U-...-D/S.



Ordering data

Type	Ambient temperature [°C]	Weight [g]	Part no.	Type
EADT-E-U1-110	-10 ... +60	9	1461069	EADT-E-U1-110

Accessories

Counter bearing EAMG

Material:

Wrought aluminium alloy

RoHS-compliant

Can only be used in combination with parallel kit EAMM-U-...-D/S.

A counter bearing EAMG reduces the load on the axis or motor bearings to improve the service life under high loads. For every counter bearing, an additional clamping sleeve EAMH-...-P is required.



Ordering data						
Type	For size	Max. rotational speed [rpm]	Ambient temperature [°C]	Weight [g]	Part no.	Type
EAMG-U1-50	50	6000	-10 ... +60	20	1354281	EAMG-U1-50
EAMG-U1-60-G2	60	6000		35	4164963	EAMG-U1-60-G2
EAMG-U1-70	70	5000		74	2598638	EAMG-U1-70
EAMG-U1-86	86	5000		83	1354283	EAMG-U1-86
EAMG-U1-110	110	5000		169	1354284	EAMG-U1-110
EAMG-U1-145	145	4000		186	1354285	EAMG-U1-145

Accessories

Clamping sleeve EAMH- ...-P, with trunnion

Material:

Corrosion-resistant steel

RoHS-compliant

Can only be used in combination with
parallel kit EAMM-U-...-D/S.



To retrofit the counter bearing, the clamping sleeve without trunnion included in the parallel kit as standard must be replaced by the clamping sleeve EAMH-...-P with integrated trunnion. The appropriate clamping sleeve size for the counter bearing is determined by the size of the parallel kit.

Ordering data								
Type	For size	For shaft diameter, motor/axis ø h7 ... k7	Max. rotational speed [rpm]	Mass moment of inertia [kg mm ²]	Ambient temperature [°C]	Weight [g]	Part no.	Type
EAMH-50-5-C13.6-P	50	5	6000	0.39	-10 ... +60	20	1354092	EAMH-50-5-C13.6-P
EAMH-50-6-C13.6-P	50	6	6000	0.38		19	1354093	EAMH-50-6-C13.6-P
EAMH-50-8-C13.6-P	50	8	6000	0.35		16	1354094	EAMH-50-8-C13.6-P
EAMH-60-6-C18.1-P	60	6	6000	1.57		44	1354095	EAMH-60-6-C18.1-P
EAMH-60-6.35-C18.1-P	60	6.35	6000	1.56		43	1354096	EAMH-60-6.35-C18.1-P
EAMH-60-8-C18.1-P	60	8	6000	1.53		41	1354097	EAMH-60-8-C18.1-P
EAMH-60-9-C18.1-P	60	9	6000	1.5		39	1354098	EAMH-60-9-C18.1-P
EAMH-60-10-C18.1-P	60	10	6000	1.4		38	1545242	EAMH-60-10-C18.1-P
EAMH-60-11-C18.1-P	60	11	6000	1.31		35	2789343	EAMH-60-11-C18.1-P
EAMH-60-12-C18.1-P	60	12	6000	1.3		32	1354099	EAMH-60-12-C18.1-P
EAMH-86-6-C27.3-P	70, 86	6	5000	12.3		123	2789351	EAMH-86-6-C27.3-P
EAMH-86-8-C27.3-P	70, 86	8	5000	10.3		128	1354100	EAMH-86-8-C27.3-P
EAMH-86-9-C27.3-P	70, 86	9	5000	9		117	2789359	EAMH-86-9-C27.3-P
EAMH-86-10-C27.3-P	70, 86	10	5000	9		115	2789365	EAMH-86-10-C27.3-P
EAMH-86-11-C27.3-P	70, 86	11	5000	10.1		119	1354101	EAMH-86-11-C27.3-P
EAMH-86-12-C27.3-P	70, 86	12	5000	10		115	1354102	EAMH-86-12-C27.3-P
EAMH-86-14-C27.3-P	70, 86	14	5000	8.74		103	1459337	EAMH-86-14-C27.3-P
EAMH-86-16-C27.3-P	70, 86	16	5000	8.3		95	2430402	EAMH-86-16-C27.3-P
EAMH-86-19-C27.3-P	70, 86	19	5000	7.1		78	2406019	EAMH-86-19-C27.3-P
EAMH-110-11-C34-P	110	11	5000	33.2		270	1545245	EAMH-110-11-C34-P
EAMH-110-12-C34-P	110	12	5000	36.3	278	1354103	EAMH-110-12-C34-P	
EAMH-110-14-C34-P	110	14	5000	35.8	267	1354104	EAMH-110-14-C34-P	
EAMH-110-16-C34-P	110	16	5000	35.1	254	1354105	EAMH-110-16-C34-P	
EAMH-110-19-C34-P	110	19	5000	33.3	230	1354106	EAMH-110-19-C34-P	
EAMH-110-20-C34-P	110	20	5000	30.2	217	1545246	EAMH-110-20-C34-P	
EAMH-110-22-C34-P	110	22	5000	28.3	200	2430414	EAMH-110-22-C34-P	
EAMH-110-25-C34-P	110	25	5000	25.8	170	1354107	EAMH-110-25-C34-P	
EAMH-145-12-C34-P	145	12	4000	43.9	338	1354108	EAMH-145-12-C34-P	
EAMH-145-19-C34-P	145	19	4000	38	281	1459342	EAMH-145-19-C34-P	
EAMH-145-22-C34-P	145	22	4000	35.1	252	8098589	EAMH-145-22-C34-P	
EAMH-145-24-C34-P	145	24	4000	34	229	1354109	EAMH-145-24-C34-P	
EAMH-145-25-C34-P	145	25	4000	32.1	217	1354110	EAMH-145-25-C34-P	

Accessories

Clamping sleeve EAMH, without trunnion

Material:

Corrosion-resistant steel

RoHS-compliant

Clamping sleeves for adapting third-party motors with deviating shaft diameters to the parallel kits.

Can only be used in combination with parallel kit EAMM-U-...-D/S.



Ordering data								
Type	For size	For shaft diameter, motor/axis ø h7 ... k7	Max. rotational speed [rpm]	Mass moment of inertia [kg mm ²]	Ambient temperature [°C]	Weight [g]	Part no.	Type
EAMH-50-5-C13.6	50	5	6000	0.44	-10 ... +60	19	2428478	EAMH-50-5-C13.6
EAMH-50-6-C13.6	50	6	6000	0.43		19	2428479	EAMH-50-6-C13.6
EAMH-50-8-C13.6	50	8	6000	0.40		16	2428480	EAMH-50-8-C13.6
EAMH-60-6-C18.1	60	6	6000	1.46		36	2428515	EAMH-60-6-C18.1
EAMH-60-6.35-C18.1	60	6.35	6000	1.46		36	2428516	EAMH-60-6.35-C18.1
EAMH-60-8-C18.1	60	8	6000	1.44		34	2428517	EAMH-60-8-C18.1
EAMH-60-9-C18.1	60	9	6000	1.42		32	2428518	EAMH-60-9-C18.1
EAMH-60-10-C18.1	60	10	6000	1.38		30	2428519	EAMH-60-10-C18.1
EAMH-60-11-C18.1	60	11	6000	1.31		28	2789160	EAMH-60-11-C18.1
EAMH-60-12-C18.1	60	12	6000	1.22		26	2428520	EAMH-60-12-C18.1
EAMH-60-14-C18.1	60	14	6000	1.03		21	8125353	EAMH-60-14-C18.1
EAMH-86-6-C27.3	70, 86	6	5000	10.2		122	2789214	EAMH-86-6-C27.3
EAMH-86-8-C27.3	70, 86	8	5000	10.3		119	2429531	EAMH-86-8-C27.3
EAMH-86-9-C27.3	70, 86	9	5000	11.6		116	2789221	EAMH-86-9-C27.3
EAMH-86-10-C27.3	70, 86	10	5000	10.1		114	2789230	EAMH-86-10-C27.3
EAMH-86-11-C27.3	70, 86	11	5000	10.2		112	2429532	EAMH-86-11-C27.3
EAMH-86-12-C27.3	70, 86	12	5000	10.1	109	2429533	EAMH-86-12-C27.3	
EAMH-86-14-C27.3	70, 86	14	5000	9.9	102	2429534	EAMH-86-14-C27.3	
EAMH-86-16-C27.3	70, 86	16	5000	9.5	94	2430397	EAMH-86-16-C27.3	
EAMH-86-19-C27.3	70, 86	19	5000	8.2	76	2429535	EAMH-86-19-C27.3	
EAMH-110-11-C34	110	11	5000	32.2	233	2429555	EAMH-110-11-C34	
EAMH-110-12-C34	110	12	5000	32.1	229	2429556	EAMH-110-12-C34	
EAMH-110-14-C34	110	14	5000	31.8	219	2429557	EAMH-110-14-C34	
EAMH-110-16-C34	110	16	5000	31.2	208	2429558	EAMH-110-16-C34	
EAMH-110-19-C34	110	19	5000	29.9	188	2429559	EAMH-110-19-C34	
EAMH-110-20-C34	110	20	5000	29.2	180	2429560	EAMH-110-20-C34	
EAMH-110-22-C34	110	22	5000	27.3	162	2430411	EAMH-110-22-C34	
EAMH-110-25-C34	110	25	5000	23.4	133	2429561	EAMH-110-25-C34	
EAMH-145-12-C34	145	12	4000	38.1	274	2429590	EAMH-145-12-C34	
EAMH-145-19-C34	145	19	4000	35.5	227	2429591	EAMH-145-19-C34	
EAMH-145-22-C34	145	22	4000	32.5	198	8098588	EAMH-145-22-C34	
EAMH-145-24-C34	145	24	4000	30.0	177	2429592	EAMH-145-24-C34	
EAMH-145-25-C34	145	25	4000	28.1	165	2429593	EAMH-145-25-C34	

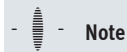
Accessories

Seal set

RoHS-compliant

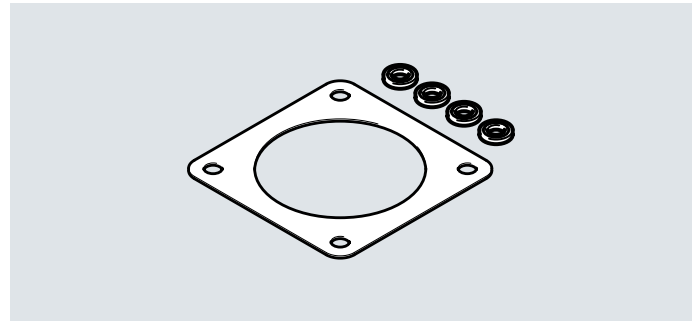
Spare part for degree of protection IP65. Seal between:

- Motor and parallel kit
- Motor and gear unit
- Motor and geometry of customer equipment



Note

The seal reduces the dissipation of heat between the motor and the flange. Note the derating of the motor.



Ordering data					
Type	For parallel kit	For motor/ integrated drive	Ambient temperature [°C]	Part no.	Type
EADS-F-40P	EAMM-U-50-D32-40P-78-S1	EMME-AS-40	-25 ... +60	2481475	EADS-F-40P
EADS-F-60P	EAMM-U-70-D32-60P-96-S1 EAMM-U-70-D40-60P-96-S1	EMMT-AS-60, EMME-AS-60	-25 ... +60	2481479	EADS-F-60P
EADS-F-80P	EAMM-U-86-D40-80P-102-S1 EAMM-U-86-D50-80P-102-S1 EAMM-U-86-D60-80P-102-S1	EMMT-AS-80, EMME-AS-80	-25 ... +60	2481481	EADS-F-80P
EADS-F-100A	EAMM-U-110-D50-100A-120-S1 EAMM-U-110-D60-100A-120-S1 EAMM-U-110-D80-100A-120-S1	EMMT-AS-100, EMME-AS-100	-25 ... +60	2481483	EADS-F-100A
EADS-F-140A	EAMM-U-145-D80-140A-188-S1 EAMM-U-145-D100-140A-188-S1	EMMS-AS-140	-25 ... +60	2481484	EADS-F-140A
EADS-F-150A	EAMM-U-145-D80-150A-188-S1 EAMM-U-145-D100-150A-188-S1	EMMT-AS-150	-25 ... +60	8142124	EADS-F-150A
EADS-F-190A		EMMT-AS-190 EMMS-AS-190		8149823	EADS-F-190A
EADS-F-42A	EAMM-U-50-D32-42A-78-S1	EMMS-ST-42	-25 ... +60	2481476	EADS-F-42A
EADS-F-57A	EAMM-U-60-D32-57A-91-S1 EAMM-U-60-D40-57A-91-S1	EMMS-ST-57	-25 ... +60	2481478	EADS-F-57A
EADS-F-87A	EAMM-U-86-D40-87A-102-S1 EAMM-U-86-D50-87A-102-S1 EAMM-U-86-D60-87A-102-S1	EMMS-ST-87	-25 ... +60	2481482	EADS-F-87A
EADS-F-67A	EAMM-U-60-D32-67A-91-S1 EAMM-U-60-D40-67A-91-S1	EMCA-67	-25 ... +60	1529479	EADS-F-67A/B

Overview of interfaces

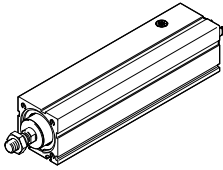


Axis mechanism interface	
V20	EPCC-25, EGSC-25
V25	EPCC-32, EGSC-32, ELGC-BS-32
V32	EPCC-45, EGSC-45, ELGC-BS-45
T42	EPCC-60, EGSC-60, ELGC-BS-60
T46	ELGC-BS-80, ELGT-BS-90/-120/-160

Motor interface	
28A	Stepper motor EMMS-ST-28
28AA	Third-party motor
35A	Third-party motor
35AB	Third-party motor
38AA	Third-party motor
40P	Servo motor EMME-AS-40
40R	Third-party motor
40RA	Third-party motor
42A	Stepper motor EMMS-ST-42, third-party motor
42AA	Third-party motor
42AB	Third-party motor
55A	Third-party motor
57A	Stepper motor EMMS-ST-57, third-party motor
58AA	Third-party motor
60AA	Third-party motor
60AB	Third-party motor
60P	Servo motor EMMT-AS-60, EMME-AS-60, third-party motor
60PA	Third-party motor
60R	Third-party motor
60RA	Third-party motor
67A	Integrated drive EMCA-EC
70A	Third-party motor
70AA	Third-party motor
80P	Servo motor EMMT-AS-80, EMME-AS-80, third-party motor
80PA	Third-party motor
80PB	Third-party motor
80RA	Third-party motor
85AA	Third-party motor
87A	Stepper motor EMMS-ST-87
100A	Servo motor EMMT-AS-100, EMME-AS-100, third-party motor

Product range overview

Permissible axis/motor combinations with electric cylinder EPCC

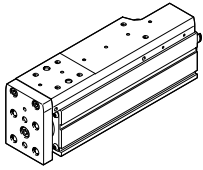


- The kit can be mounted in all directions
- Table of interfaces for third-party motors → from page 60

Motor ¹⁾ Type	Motor interface	Parallel kit	
		Part no.	Type
EPCC-25			
With stepper motor			
EMMS-ST-28-...	28A	4767125	EAMM-U-30-V20-28A-44
Third-party motor	28AA	8093176	EAMM-U-30-V20-28AA-44
EPCC-32			
With servo motor			
Third-party motor	38AA	8093197	EAMM-U-45-V25-38AA-63
EMME-AS-40-...	40P	4782056	EAMM-U-45-V25-40P-63
Third-party motor	40R	8091655	EAMM-U-45-V25-40R-63
Third-party motor	40RA	8095513	EAMM-U-45-V25-40RA-63
With stepper motor			
Third-party motor	35A, 35AB	8093286	EAMM-U-38-V25-35A-63
EMMS-ST-42-...	42A	4825645	EAMM-U-45-V25-42A-63
Third-party motor	42AB	8095562	EAMM-U-45-V25-42AB-63
EPCC-45			
With servo motor			
Third-party motor	38AA	8092623	EAMM-U-45-V32-38AA-63
EMME-AS-40-...	40P	4718297	EAMM-U-45-V32-40P-63
Third-party motor	40R	8091631	EAMM-U-45-V32-40R-63
Third-party motor	40RA	8095650	EAMM-U-45-V32-40RA-63
With stepper motor			
EMMS-ST-42-...	42A	4280674	EAMM-U-45-V32-42A-63
Third-party motor	42AB	8095613	EAMM-U-45-V32-42AB-63
EPCC-60			
With servo motor			
EMMT-AS-60-..., EMME-AS-60-...	60P	4784301	EAMM-U-65-T42-60P-87
Third-party motor	60PA	8091225	EAMM-U-65-T42-60PA-87
Third-party motor	60R	8093364	EAMM-U-65-T42-60R-87
Third-party motor	60RA	8093199	EAMM-U-65-T42-60RA-87
With stepper motor			
EMMS-ST-57-...	57A	4331535	EAMM-U-65-T42-57A-87
Third-party motor	60AA	8093189	EAMM-U-65-T42-60AA-87
Third-party motor	60AB	8096187	EAMM-U-65-T42-60AB-87

Product range overview

Permissible axis/motor combinations with mini slide EGSC-BS



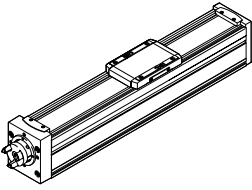
- The kit can be mounted in all directions
- Table of interfaces for third-party motors → from page 60

Motor ¹⁾ Type	Motor interface	Parallel kit	
		Part no.	Type
EGSC-25			
With stepper motor			
EMMS-ST-28-...	28A	4767125	EAMM-U-30-V20-28A-44
Third-party motor	28AA	8093176	EAMM-U-30-V20-28AA-44
EGSC-32			
With servo motor			
Third-party motor	38AA	8093197	EAMM-U-45-V25-38AA-63
EMME-AS-40-...	40P	4782056	EAMM-U-45-V25-40P-63
Third-party motor	40R	8091655	EAMM-U-45-V25-40R-63
Third-party motor	40RA	8095513	EAMM-U-45-V25-40RA-63
With stepper motor			
Third-party motor	35A, 35AB	8093286	EAMM-U-38-V25-35A-63
EMMS-ST-42-...	42A	4825645	EAMM-U-45-V25-42A-63
Third-party motor	42AB	8095562	EAMM-U-45-V25-42AB-63
EGSC-45			
With servo motor			
Third-party motor	38AA	8092623	EAMM-U-45-V32-38AA-63
EMME-AS-40-...	40P	4718297	EAMM-U-45-V32-40P-63
Third-party motor	40R	8091631	EAMM-U-45-V32-40R-63
Third-party motor	40RA	8095650	EAMM-U-45-V32-40RA-63
With stepper motor			
EMMS-ST-42-...	42A	4280674	EAMM-U-45-V32-42A-63
Third-party motor	42AB	8095613	EAMM-U-45-V32-42AB-63
EGSC-60			
With servo motor			
Third-party motor	55A	8092868	EAMM-U-65-T42-55A-87
Third-party motor	58AA	8092909	EAMM-U-65-T42-58AA-87
EMMT-AS-60-..., EMME-AS-60-...	60P	4784301	EAMM-U-65-T42-60P-87
Third-party motor	60PA	8091225	EAMM-U-65-T42-60PA-87
Third-party motor	60R	8093364	EAMM-U-65-T42-60R-87
Third-party motor	60RA	8093199	EAMM-U-65-T42-60RA-87
With stepper motor			
EMMS-ST-57-...	57A	4331535	EAMM-U-65-T42-57A-87
Third-party motor	60AA	8093189	EAMM-U-65-T42-60AA-87
Third-party motor	60AB	8096187	EAMM-U-65-T42-60AB-87
With integrated drive			
EMCA-EC-67	67A	8084498	EAMM-U-65-T42-67A-87

1) The input torque must not exceed the max. permissible transferable torque of the parallel kit.

Product range overview

Permissible axis/motor combinations with spindle axis ELGC-BS



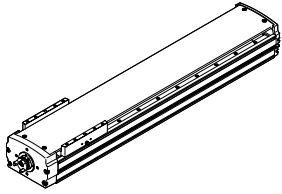
- The kit can be mounted in all directions
- Table of interfaces for third-party motors → from page 60

Motor ¹⁾ Type	Motor interface	Parallel kit	
		Part no.	Type
ELGC-BS-32			
With servo motor			
Third-party motor	38AA	8093197	EAMM-U-45-V25-38AA-63
EMME-AS-40-...	40P	4782056	EAMM-U-45-V25-40P-63
Third-party motor	40R	8091655	EAMM-U-45-V25-40R-63
Third-party motor	40RA	8095513	EAMM-U-45-V25-40RA-63
With stepper motor			
Third-party motor	35A, 35AB	8093286	EAMM-U-38-V25-35A-63
EMMS-ST-42-...	42A	4825645	EAMM-U-45-V25-42A-63
Third-party motor	42AB	8095562	EAMM-U-45-V25-42AB-63
ELGC-BS-45			
With servo motor			
Third-party motor	38AA	8092623	EAMM-U-45-V32-38AA-63
EMME-AS-40-...	40P	4718297	EAMM-U-45-V32-40P-63
Third-party motor	40R	8091631	EAMM-U-45-V32-40R-63
Third-party motor	40RA	8095650	EAMM-U-45-V32-40RA-63
With stepper motor			
EMMS-ST-42-...	42A	4280674	EAMM-U-45-V32-42A-63
Third-party motor	42AB	8095613	EAMM-U-45-V32-42AB-63
ELGC-BS-60			
With servo motor			
Third-party motor	55A	8092868	EAMM-U-65-T42-55A-87
Third-party motor	58AA	8092909	EAMM-U-65-T42-58AA-87
EMMT-AS-60-..., EMME-AS-60-...	60P	4784301	EAMM-U-65-T42-60P-87
Third-party motor	60PA	8091225	EAMM-U-65-T42-60PA-87
Third-party motor	60R	8093364	EAMM-U-65-T42-60R-87
Third-party motor	60RA	8093199	EAMM-U-65-T42-60RA-87
With stepper motor			
EMMS-ST-57-...	57A	4331535	EAMM-U-65-T42-57A-87
Third-party motor	60AA	8093189	EAMM-U-65-T42-60AA-87
Third-party motor	60AB	8096187	EAMM-U-65-T42-60AB-87
With integrated drive			
EMCA-AS-67	67A	8084498	EAMM-U-65-T42-67A-87
ELGC-BS-80			
With servo motor			
EMMT-AS-60-..., EMME-AS-60-...	60P, 60PA	4824069	EAMM-U-87-T46-60P-114
Third-party motor	70A	8092891	EAMM-U-87-T46-70A-114
Third-party motor	70AA, 70AB	8096220	EAMM-U-87-T46-70AA-114
EMMT-AS-80-..., EMME-AS-80-...	80P, 80PA, 80RA	4822696	EAMM-U-87-T46-80P-114
Third-party motor	80PB, 80R	8096289	EAMM-U-87-T46-80PB-114
Third-party motor	85AA	8097655	EAMM-U-87-T46-85AA-114
With stepper motor			
EMMS-ST-87-...	87A	4819278	EAMM-U-87-T46-87A-114
With integrated drive			
EMCA-EC-67	67A	8084496	EAMM-U-87-T46-67A-114

1) The input torque must not exceed the max. permissible transferable torque of the parallel kit.

Product range overview

Permissible axis/motor combinations with spindle axis ELGT-BS



- The kit can be mounted in all directions
- Table of interfaces for third-party motors → from page 60

Motor ¹⁾ Type	Motor interface	Parallel kit	
		Part no.	Type
ELGT-BS-90			
With servo motor			
EMMT-AS-60-..., EMME-AS-60-...	60P, 60PA	4824069	EAMM-U-87-T46-60P-114
Third-party motor	60R	8126171	EAMM-U-87-T46-60R-114
Third-party motor	60RA	8126172	EAMM-U-87-T46-60RA-114
Third-party motor	70A	8092891	EAMM-U-87-T46-70A-114
Third-party motor	70AA, 70AB	8096220	EAMM-U-87-T46-70AA-114
EMMT-AS-80-..., EMME-AS-80-...	80P, 80PA, 80RA	4822696	EAMM-U-87-T46-80P-114
Third-party motor	80PB, 80R	8096289	EAMM-U-87-T46-80PB-114
Third-party motor	85AA	8097655	EAMM-U-87-T46-85AA-114
With stepper motor			
EMMS-ST-87-...	87A	4819278	EAMM-U-87-T46-87A-114
With integrated drive			
EMCA-EC-67	67A	8084496	EAMM-U-87-T46-67A-114
ELGT-BS-120/-160			
With servo motor			
EMMT-AS-60-..., EMME-AS-60-..., third-party motor	60P, 60PA	8126161	EAMM-U-87-T46-60P-147
Third-party motor	60R	8126162	EAMM-U-87-T46-60R-147
Third-party motor	60RA	8126163	EAMM-U-87-T46-60RA-147
Third-party motor	70A	8126165	EAMM-U-87-T46-70A-147
Third-party motor	70AA, 70AB	8126166	EAMM-U-87-T46-70AA-147
EMMT-AS-80-..., EMME-AS-80-..., third-party motor	80P, 80PA, 80RA	8126167	EAMM-U-87-T46-80P-147
Third-party motor	80PB, 80R	8126168	EAMM-U-87-T46-80PB-147
Third-party motor	85AA	8126169	EAMM-U-87-T46-85AA-147
With stepper motor			
EMMS-ST-87-...	87A	8126170	EAMM-U-87-T46-87A-147
With integrated drive			
EMCA-EC-67	67A	8126164	EAMM-U-87-T46-67A-147

1) The input torque must not exceed the max. permissible transferable torque of the parallel kit.

Datasheet

Material:

Housing and coupling hub: Wrought aluminium alloy

Toothed belt pulley: Sintered steel

Toothed belt: Polychloroprene

Screws: Steel



General technical data							
Type	For axis	Transferable torque [Nm]	Mass moment of inertia [kgmm ²]	Max. rotational speed [rpm]	No-load driving torque [Nm]	Weight [g]	→ Page
EAMM-U-30-V20-28A-44	EPCC, EGSC	0.055	2.11	3000	0.015	97	54
EAMM-U-30-V20-28AA-44	EPCC, EGSC	0.055	2.11	3000	0.015	94	
EAMM-U-45-V25-38AA-63	EPCC, EGSC, ELGC-BS	0.5	4.34	3600	0.05	264	
EAMM-U-45-V25-40P-63	EPCC, EGSC, ELGC-BS	0.5	4.35	3600	0.05	253	
EAMM-U-45-V25-40R-63	EPCC, EGSC, ELGC-BS	0.5	4.34	3600	0.05	267	
EAMM-U-45-V25-40RA-63	EPCC, EGSC, ELGC-BS	0.5	4.34	3600	0.05	245	
EAMM-U-45-V25-42A-63	EPCC, EGSC, ELGC-BS	0.5	4.35	3600	0.05	247	
EAMM-U-45-V25-42AB-63	EPCC, EGSC, ELGC-BS	0.5	4.34	3600	0.05	247	
EAMM-U-45-V32-38AA-63	EPCC, EGSC, ELGC-BS	1.0	4.34	3600	0.05	259	
EAMM-U-45-V32-40P-63	EPCC, EGSC, ELGC-BS	1.0	4.34	3600	0.05	243	
EAMM-U-45-V32-40R-63	EPCC, EGSC, ELGC-BS	1.0	4.34	3600	0.05	262	
EAMM-U-45-V32-40RA-63	EPCC, EGSC, ELGC-BS	1.0	4.34	3600	0.05	240	
EAMM-U-45-V32-42A-63	EPCC, EGSC, ELGC-BS	1.0	4.35	3600	0.05	248	
EAMM-U-45-V32-42AB-63	EPCC, EGSC, ELGC-BS	1.0	4.35	3600	0.05	242	
EAMM-U-65-T42-55A-87	EPCC, EGSC, ELGC-BS	3.0	41.2	3000	0.22	617	
EAMM-U-65-T42-57A-87	EPCC, EGSC, ELGC-BS	3.0	41.2	3000	0.22	594	
EAMM-U-65-T42-58AA-87	EPCC, EGSC, ELGC-BS	3.0	41.2	3000	0.22	590	
EAMM-U-65-T42-60AA-87	EPCC, EGSC, ELGC-BS	3.0	41.2	3000	0.22	583	
EAMM-U-65-T42-60AB-87	EPCC, EGSC, ELGC-BS	3.0	41.2	3000	0.22	582	
EAMM-U-65-T42-60P-87	EPCC, EGSC, ELGC-BS	3.0	41.0	3000	0.22	583	
EAMM-U-65-T42-60PA-87	EPCC, EGSC, ELGC-BS	3.0	41.0	3000	0.22	600	
EAMM-U-65-T42-60R-87	EPCC, EGSC, ELGC-BS	3.0	41.1	3000	0.22	602	
EAMM-U-65-T42-60RA-87	EPCC, EGSC, ELGC-BS	3.0	41.1	3000	0.22	601	
EAMM-U-65-T42-67A-87	EPCC, EGSC, ELGC-BS	3.0	41.2	3000	0.22	663	

Product range overview

General technical data							
Type	For axis	Transferable torque [Nm]	Mass moment of inertia [kgmm ²]	Max. rotational speed [rpm]	No-load driving torque [Nm]	Weight [g]	→ Page
EAMM-U-87-T46-60P-114	ELGC-BS, ELGT-BS	3.0	41.0	3000	0.22	905	54
EAMM-U-87-T46-60R-114	ELGC-BS, ELGT-BS	3.0	41.0	3000	0.22	906	
EAMM-U-87-T46-60RA-114	ELGC-BS, ELGT-BS	3.0	41.0	3000	0.22	905	
EAMM-U-87-T46-67A-114	ELGC-BS, ELGT-BS	3.0	41.2	3000	0.22	966	
EAMM-U-87-T46-70A-114	ELGC-BS, ELGT-BS	3.0	41.1	3000	0.22	926	
EAMM-U-87-T46-70AA-114	ELGC-BS, ELGT-BS	3.0	41.0	3000	0.22	926	
EAMM-U-87-T46-80P-114	ELGC-BS, ELGT-BS	3.0	44.2	3000	0.22	1140	
EAMM-U-87-T46-80PA-114	ELGC-BS, ELGT-BS	3.0	44.2	3000	0.22	1057	
EAMM-U-87-T46-80PB-114	ELGC-BS, ELGT-BS	3.0	44.6	3000	0.22	1062	
EAMM-A-87-T46-85AA-114	ELGC-BS, ELGT-BS	3.0	41.0	3000	0.22	986	
EAMM-U-87-T46-87A-114	ELGC-BS, ELGT-BS	3.0	41.0	3000	0.22	877	
EAMM-U-87-T46-60P-147	ELGT-BS	3.0	41.0	3000	0.22	1015	
EAMM-U-87-T46-60R-147	ELGT-BS	3.0	41.1	3000	0.22	1017	
EAMM-U-87-T46-60RA-147	ELGT-BS	3.0	41.1	3000	0.22	1015	
EAMM-U-87-T46-70A-147	ELGT-BS	3.0	41.1	3000	0.22	1037	
EAMM-U-87-T46-70AA-147	ELGT-BS	3.0	41.2	3000	0.22	1037	
EAMM-U-87-T46-80P-147	ELGT-BS	3.0	44.2	3000	0.22	1154	
EAMM-U-87-T46-80PB-147	ELGT-BS	3.0	44.6	3000	0.22	1159	
EAMM-A-87-T46-85AA-147	ELGT-BS	3.0	41.0	3000	0.22	1097	
EAMM-U-87-T46-87A-147	ELGT-BS	3.0	41.2	3000	0.22	1256	
EAMM-U-87-T46-67A-147	ELGT-BS	3.0	41.1	3000	0.22	1077	

Datasheet

Operating and environmental conditions

Gear ratio		1:1
Ambient temperature	[°C]	0 ... +50
Storage temperature	[°C]	-20 ... +60
Degree of protection ¹⁾		IP40
Relative humidity	[%]	0 ... 95
Corrosion resistance class CRC ²⁾		1
Note on materials		RoHS-compliant
LABS (PWIS) conformity		VDMA24364 zone III

1) Only in combination with attached motor and axis.

2) Corrosion resistance class CRC 1 to Festo standard FN 940070

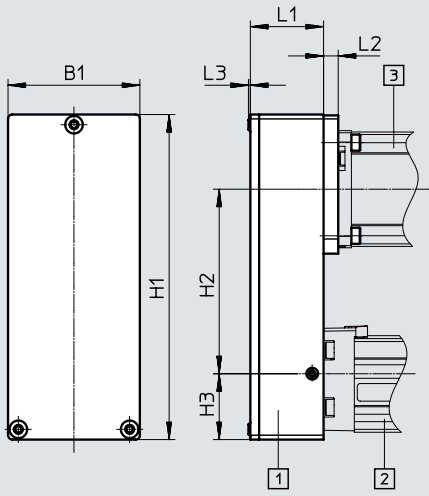
Low corrosion stress. Dry internal application or transport and storage protection. Also applies to parts behind covers, in the non-visible interior area, or parts which are covered in the application (e.g. drive trunnions).

Datasheet

Dimensions and ordering data

Download CAD data → www.festo.com

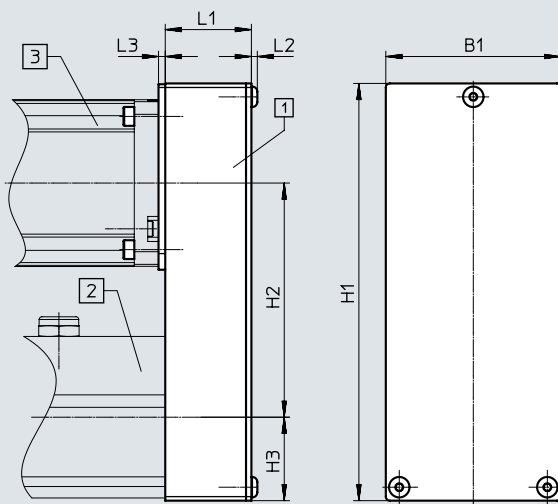
EGSC-BS, ELGC-BS-...



Schematic diagram:

- [1] Parallel kit
- [2] Mini slide, spindle axis
- [3] Motor

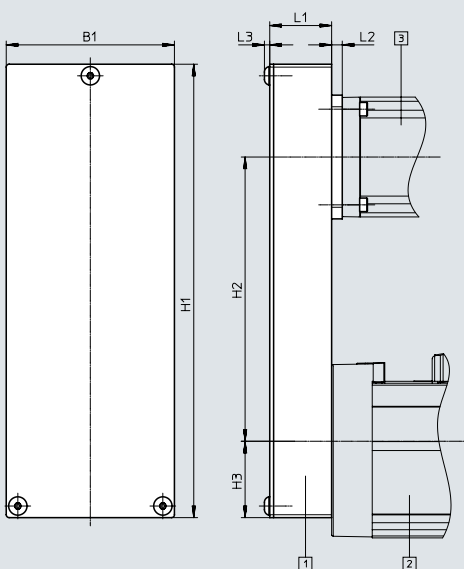
EPCC



Schematic diagram:

- [1] Parallel kit
- [2] Electric cylinder
- [3] Motor

ELGT-BS



Schematic diagram:

- [1] Parallel kit
- [2] Spindle axis
- [3] Motor

Datasheet

Type	B1	H1	H2	H3	L1	L2	L3	Part no.	Type
EAMM-U-30-V20-28A-44	30	76	44	15	18.2	8.1	1.6	4767125	EAMM-U-30-V20-28A-44
EAMM-U-30-V20-28AA-44	30	76	44	15	18.2	4	1.6	8093176	EAMM-U-30-V20-28AA-44
EAMM-U-38-V25-35A-63	38	105	63	19.5	24	5	1.7	8093286	EAMM-U-38-V25-35A-63
EAMM-U-45-V25-38AA-63	45	111	63	22.5	24	5	1.7	8093197	EAMM-U-45-V25-38AA-63
EAMM-U-45-V25-40P-63	45	111	63	22.5	24	5	1.7	4782056	EAMM-U-45-V25-40P-63
EAMM-U-45-V25-40R-63	45	111	63	22.5	24	10.5	1.7	8091655	EAMM-U-45-V25-40R-63
EAMM-U-45-V25-40RA-63	45	111	63	22.5	24	3.5	1.7	8095513	EAMM-U-45-V25-40RA-63
EAMM-U-45-V25-42A-63	45	111	63	22.5	24	4	1.7	4825645	EAMM-U-45-V25-42A-63
EAMM-U-45-V25-42AB-63	45	111	63	22.5	24	4	1.7	8095562	EAMM-U-45-V25-42AB-63
EAMM-U-45-V32-38AA-63	45	111	63	22.5	24	11	1.7	8092623	EAMM-U-45-V32-38AA-63
EAMM-U-45-V32-40P-63	45	111	63	22.5	24	5	1.7	4718297	EAMM-U-45-V32-40P-63
EAMM-U-45-V32-40R-63	45	111	63	22.5	24	10.5	1.7	8091631	EAMM-U-45-V32-40R-63
EAMM-U-45-V32-40RA-63	45	111	63	22.5	24	3.5	1.7	8095650	EAMM-U-45-V32-40RA-63
EAMM-U-45-V32-42A-63	45	111	63	22.5	24	4	1.7	4280674	EAMM-U-45-V32-42A-63
EAMM-U-45-V32-42AB-63	45	111	63	22.5	24	4	1.7	8095613	EAMM-U-45-V32-42AB-63
EAMM-U-65-T42-55A-87	65	155	87	31	32	6.5	2.2	8092868	EAMM-U-65-T42-55A-87
EAMM-U-65-T42-57A-87	65	155	87	31	32	1	2.2	4331535	EAMM-U-65-T42-57A-87
EAMM-U-65-T42-58AA-87	65	155	87	31	32	2.5	2.2	8092909	EAMM-U-65-T42-58AA-87
EAMM-U-65-T42-60AA-87	65	155	87	31	32	2.5	2.2	8093189	EAMM-U-65-T42-60AA-87
EAMM-U-65-T42-60AB-87	65	155	87	31	32	2.5	2.2	8096187	EAMM-U-65-T42-60AB-87
EAMM-U-65-T42-60P-87	65	155	87	31	32	2.5	2.2	4784301	EAMM-U-65-T42-60P-87
EAMM-U-65-T42-60PA-87	65	155	87	31	32	5.5	2.2	8091225	EAMM-U-65-T42-60PA-87
EAMM-U-65-T42-60R-87	65	155	87	31	32	5.5	2.2	8093364	EAMM-U-65-T42-60R-87
EAMM-U-65-T42-60RA-87	65	155	87	31	32	5.5	2.2	8093199	EAMM-U-65-T42-60RA-87
EAMM-U-65-T42-67A-87	65	155	87	31	32	8.5	2.2	8084498	EAMM-U-65-T42-67A-87
EAMM-U-87-T46-60P-114	87	201.5	114	39.5	32	3	2.8	4824069	EAMM-U-87-T46-60P-114
EAMM-U-87-T46-60R-114	87	201.5	114	39.5	32	5.5	2.8	8126171	EAMM-U-87-T46-60R-114
EAMM-U-87-T46-60RA-114	87	201.5	114	39.5	32	5.5	2.8	8126172	EAMM-U-87-T46-60RA-114
EAMM-U-87-T46-67A-114	87	201.5	114	39.5	32	8.5	2.8	8084496	EAMM-U-87-T46-67A-114
EAMM-U-87-T46-70A-114	87	201.5	114	39.5	32	7	2.8	8092891	EAMM-U-87-T46-70A-114
EAMM-U-87-T46-70AA-114	87	201.5	114	39.5	32	7	2.8	8096220	EAMM-U-87-T46-70AA-114
EAMM-U-87-T46-80P-114	87	201.5	114	39.5	32	24.7	2.8	4822696	EAMM-U-87-T46-80P-114
EAMM-U-87-T46-80PB-114	87	201.5	114	39.5	32	24.7	2.8	8096289	EAMM-U-87-T46-80PB-114
EAMM-A-87-T46-85AA-114	87	201.5	114	39.5	32	10	2.8	8097655	EAMM-A-87-T46-85AA-114
EAMM-U-87-T46-87A-114	87	201.5	114	39.5	32	2.5	2.8	4819278	EAMM-U-87-T46-87A-114
EAMM-U-87-T46-60P-147	87	234.5	147	39.5	32	5.5	2.8	8126161	EAMM-U-87-T46-60P-147
EAMM-U-87-T46-60R-147	87	234.5	147	39.5	32	5.5	2.8	8126162	EAMM-U-87-T46-60R-147
EAMM-U-87-T46-60RA-147	87	234.5	147	39.5	32	5.5	2.8	8126163	EAMM-U-87-T46-60RA-147
EAMM-U-87-T46-70A-147	87	234.5	147	39.5	32	5.5	2.8	8126165	EAMM-U-87-T46-70A-147
EAMM-U-87-T46-70AA-147	87	234.5	147	39.5	32	7	2.8	8126166	EAMM-U-87-T46-70AA-147
EAMM-U-87-T46-80P-147	87	234.5	147	39.5	32	24.7	2.8	8126167	EAMM-U-87-T46-80P-147
EAMM-U-87-T46-80PB-147	87	234.5	147	39.5	32	24.7	2.8	8126168	EAMM-U-87-T46-80PB-147
EAMM-A-87-T46-85AA-147	87	234.5	147	39.5	32	10	2.8	8126169	EAMM-A-87-T46-85AA-147
EAMM-U-87-T46-87A-147	87	234.5	147	39.5	32	2.5	2.8	8126170	EAMM-U-87-T46-87A-147
EAMM-U-87-T46-67A-147	87	234.5	147	39.5	32	8.5	2.8	8126164	EAMM-U-87-T46-67A-147

Overview of interfaces



Axis mechanism interface

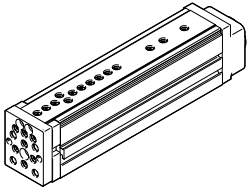
D32	EGLS-45
D40	EGLS-55

Motor interface

40A	Third-party motor
55A	Third-party motor

Product range overview

Permissible axis/motor combinations with mini slide EGSL



- The kit can only be mounted at the side and underneath.

Motor Type	Motor interface	Parallel kit	
		Part no.	Type
EGSL-45			
With servo motor			
Third-party motor	40A	543150	EAMM-U-D32-40A
EGSL-55			
With servo motor			
Third-party motor	55A	543157	EAMM-U-D40-55A

Datasheet

Material:

Housing: Gravity die-cast aluminium

Clamping part, clamping sleeve,

toothed belt pulley: Corrosion-resistant steel

Toothed belt: Polychloroprene

Screws: Galvanised steel



General technical data

Type	For axis	Transferable torque [Nm]	Mass moment of inertia [kgmm ²]	Max. rotational speed [rpm]	No-load driving torque [Nm]	Weight [g]	→ Page
EAMM-U-D32-40A	EGSL	1	2.93	6000	0.05	300	59
EAMM-U-D40-55A	EGSL	3	10.0	5000	0.1	530	

Operating and environmental conditions

Gear ratio	1:1
Ambient temperature [°C]	0 ... +50
Storage temperature [°C]	-25 ... +60
Degree of protection ¹⁾	IP40
Relative humidity [%]	0 ... 95
Corrosion resistance class CRC ²⁾	1
Note on materials	Contains paint-wetting impairment substances
	RoHS-compliant

1) Only in combination with attached motor and axis.

2) Corrosion resistance class CRC 1 to Festo standard FN 940070

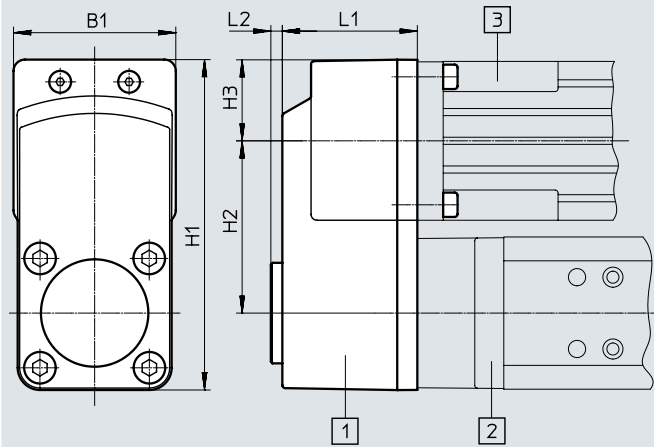
Low corrosion stress. Dry internal application or transport and storage protection. Also applies to parts behind covers, in the non-visible interior area, or parts which are covered in the application (e.g. drive trunnions).

Datasheet

Dimensions and ordering data

Download CAD data → www.festo.com

EGSL...



Schematic diagram:

- [1] Parallel kit
- [2] Mini slide
- [3] Motor



Note

The kit can only be mounted at the side and underneath

Type	B1	H1	H2 ±0.1	H3	L1	L2	Part no.	Type
EAMM-U-D32-40A	45.1	93.1	48	22.6	40	4	543150	EAMM-U-D32-40A
EAMM-U-D40-55A	56.5	115	60	28.2	47	4	543157	EAMM-U-D40-55A

Product range overview

Third-party motors and gear units		
Manufacturer	Motor interface	Type
Allen-Bradley/Rockwell Automation	40R	TL-A110; TL-A120; TL-A130; TLY-A110; TLY-A120; TLY-A130
Allen-Bradley/Rockwell Automation	55A	MPL-A/B1510; MPL-A/B1520; MPL-A/B1530; VPL-A/B-063x
Allen-Bradley/Rockwell Automation	60R	TL-A220; TL-A230; TLY-A220; TLY-A230
Allen-Bradley/Rockwell Automation	70A	MPL-A/B210; MPL-A/B220; MPL-A/B230; VPL-A/B-075x
Allen-Bradley/Rockwell Automation	80R	TLx-A25
Allen-Bradley/Rockwell Automation	90R	TLY-A310
Allen-Bradley/Rockwell Automation	92RA	MPF-B310; MPL-B320; MPL-B330; VPL-A/B1001; VPL-A/B1002; VPL-A/B1003
Allen-Bradley/Rockwell Automation	100A	VPL-A/B1152; VPL-A/B1153; MPL-A/B420; MPL-A/B430
Allen-Bradley/Rockwell Automation	108AA	VPL-A/B1303; VPL-A/B1304; VPL-A/B1306; MPL-A/B4530; MPL-A/B4540; MPL-A/B4560
Allen-Bradley/Rockwell Automation	190A	B640; B660; B690
AMK	55A	DT3
AMK	70A	DT4-1; DT4-2
AMK	100A	DT5-15; DT5-23; DT5-3; DT5-5; DT5-9; DTK5-3
Apex Dynamics INC.	40G	PG040
Apex Dynamics INC.	50GA	PE 050
Apex Dynamics INC.	60H	PG060
Apex Dynamics INC.	70GA	PE 070
Apex Dynamics INC.	80G	PG080
Apex Dynamics INC.	90GA	PE 090
Apex Dynamics INC.	120GA	PG080A
Apex Dynamics INC.	120GC	PE 120
Apex Dynamics INC.	160G	PG160
B+R Automation	40G	8GP30-040
B+R Automation	40R	8LVA1
B+R Automation	55A	8LSA2
B+R Automation	57AA	80MPF
B+R Automation	58AA	8JSA2
B+R Automation	60H	8GP30-060; 8GP40-060
B+R Automation	60PA	8LVA22; 8LVA23
B+R Automation	70AA	8JSA3
B+R Automation	72GA	8GP60-070
B+R Automation	80G	8GP40-080
B+R Automation	80PA	8LVA3
B+R Automation	84AA	8JSA4
B+R Automation	88A	8LSA3; 8MSA3
B+R Automation	100A	8LSA4; 8MSA4; 8MSC4
Baumüller	55A	DSD 028 M; DSD 028 S
Baumüller	70A	DSD 036 M; DSD 036 S
Baumüller	88A	DS 045 L; DS 045 M; DS 045 S; DSC 045 K; DSC 045 M; DSC 045 S; DSCG 045 K; DSCG 045 S; DSD 045 L; DSD 045 M; DSD 045 S
Baumüller	126AA	DSC 056 K; DSC 056 M; DSC 056 S; DSCG 056 K; DSCG 056 M; DSCG 056 S; DSD 056 L; DSD 056 M; DSD 056 S
Beckhoff	40R	AM3011; AM3012; AM3013; AM3111; AM3112; AM8111; AM8113
Beckhoff	42A	AS1010; AS1020
Beckhoff	55A	AM227LL; AM227M; AM8021; AM8022; AM8023; AM8121; AM8122
Beckhoff	58AA	AM3021; AM3022; AM3023; AM3024
Beckhoff	60RB	AM3121
Beckhoff	70AA	AM3031; AM3032; AM3033; AM8031; AM8032; AM8131; AM8531
Beckhoff	84AA	AM3041; AM3042; AM3043; AM3044; AM3541; AM3542; AM3543; AM8041; AM8042; AM8043
Beckhoff	88A	AM247L
Beckhoff	100A	AM257M; AM257S
Beckhoff	104AA	AM8051; AM8052; AM8053
Beckhoff	108AA	AM3051; AM3052; AM3053; AM3054; AM3551; AM3552; AM3553; AM8051-XXXX-900
Beckhoff	158AA	AM3062; AM3063; AM3064; AM3065; AM3562; AM3563; AM8061; AM8062; AM8063
Bosch Rexroth	38AA	MSM019A; MSM019B
Bosch Rexroth	40G	GTE040
Bosch Rexroth	58AA	MKD 025; MSK030B; MSK030C; MS2N03-BXXXN-AXDK0-NNNNN-NN; MS2N03-BXXXN-BXDG0-NNNNN-NN; MS2N03-BXXXN-BXDH1-NNNNE-NN; MS2N03-BXXXN-CXDG0-NNNNN-NN; MS2N03-BXXXN-CXDG1-NNNNN-NN; MS2N03-BXXXN-CXDH0-NNNNN-NN; MS2N03-BXXXN-CXDH1-NNNNN-NN; MS2N03-BXXXN-CXSG1-NNNNN-

Product range overview

Third-party motors and gear units		
Manufacturer	Motor interface	Type
Bosch Rexroth	60H	GTE060
Bosch Rexroth	60P	MSM 031C
Bosch Rexroth	60RA	MSM030B; MSM031B
Bosch Rexroth	68GA	GTM060
Bosch Rexroth	75GA	GTM075
Bosch Rexroth	80G	GTE080
Bosch Rexroth	80P	MSM040B; MSM041B
Bosch Rexroth	82AA	MKD041; MSK040B; MSK040C; MSK043C; MS2N04
Bosch Rexroth	100A	MSK050B; MSK050C
Bosch Rexroth	115GA	GTM100
Bosch Rexroth	116AA	MSK061B; MSK061C
Bosch Rexroth	120G	GTE120
Bosch Rexroth	158AA	MSK070C; MSK070D; MSK070E; MSK071C; MSK071D; MSK071E; MSK075C; MSK075D; MSK075E
Bosch Rexroth	160G	GTE160
Danaher Motion	40R	AKM1 AK; AKM1 AN
Danaher Motion	58AA	AKM21 AC; AKM21 AN; AKM22 AC; AKM22 AN; AKM23 AC; AKM23 AN; AKM24 AC; AKM24 AN; AKM2x AC/AN
Danaher Motion	60P	AKM2 CK
Danaher Motion	70AA	AKM 31 AC; AKM 31 AN; AKM 32 AC; AKM 32 AN; AKM 33 AC; AKM 33 AN
Danaher Motion	84AA	AKM 41 AC; AKM 41 AN; AKM 42 AC; AKM 42 AN; AKM 43 AC; AKM 43 AN; AKM 44 AC; AKM 44 AN
Delta	80RA	ECMA-C Δ0807
Elau	55A	SH-055 80 005; SH-055 80 009; SH-055 80 013
Elau	70A	iSH 070 60 011; iSH 070 60 017; SH-070 60 010; SH-070 60 020; SM-070 xx010; SM-070 xx020
Elau	70AA	iSH 070 60 022; SH-070 60 030
Elau	104AA	SH 100 30 100
Fastech	20AC	EzM2-20
Fastech	25AA	EzM-25
Fastech	28AA	EzM2-28
Fastech	35A	EzM2-35
Fastech	42A	EzM2-42
Fastech	57A	EzM2-56
Fastech	60AA	EzM2-60
Inovance	40R	ISMH1-10B30
Inovance	60PA	ISMH1-20B30; ISMH1-40B30
Inovance	80PA	ISMH1-75B30
Kollmorgen	40R	AKM11; AKM12; AKM13
Kollmorgen	55A	DBL2 H00080
Kollmorgen	58AA	AKM21; AKM22; AKM23; AKM24
Kollmorgen	70AA	AKM31x-Ax; AKM32x-Ax; AKM33x-Ax
Kollmorgen	84AA	AKM41x-Ax; AKM42x-Ax; AKM43x-Ax; AKM44x-Ax
Kollmorgen	108AA	AKM51x-Ax; AKM52x-Ax; AKM53x-Ax; AKM54x-Ax
Kollmorgen	158AA	AKM62; AKM63; AKM64; AKM65
Lenze	68GA	GPA00; MPR050-1S GCN
Lenze	70A	MCS 06; MDSKSxx036
Lenze	75GA	GPA01
Lenze	88A	MCA 10 FF100; MCS 09; MDSKSxx056 FF100
Lenze	115GA	GPA02
Lenze	120GA	GKRO3-2M VAK; GKRO4-2S VAK
Mitsubishi	28M	HC-AQ0335D
Mitsubishi	40R	HF-KE13; HF-KP053; HF-KP13; HF-MP053; HF-MP13; HG-MR13B
Mitsubishi	60PA	HF-KP23; HF-KP43; HK-KT23W; HK-KT43W; HF-KE23; HF-KE43; HF-MP23; HF-MP43; HG-KR43
Mitsubishi	80PA	HG-KR73; HK-KT7M3W
Moons	20AB	8HYxx (IP20)
Moons	28AA	MS11HS (IP20)
Moons	35AB	MS14HA (IP20)

Product range overview

Third-party motors and gear units		
Manufacturer	Motor interface	Type
Moons	42A	MS17HA (IP20)
Moons	57A	MS23HA (IP20)
Moons	60PA	SM601AE4; SM602AE4
Moons	80PA	SM803AE4
Moons	87AA	ML34HD (IP20)
Neugart	40G	PLE 040; WPLE 40
Neugart	50GA	PLPE 50; WPLPE 50
Neugart	60H	PLE 060; WPLE 60
Neugart	68GA	PLN 70; WPLN 70
Neugart	70GA	PLPE 70; WPLPE 70
Neugart	72GA	PLN 70 (OP14); WPLN 70 (OP14)
Neugart	75GA	PLN 90; WPLN 90
Neugart	80G	PLE 080; WPLE 80
Neugart	90GA	PLPE 90; WPLPE 90
Neugart	115GA	PLN 115; WPLN 115
Neugart	120G	PLE 120; WPLE 120
Neugart	120GA	PLE 080-90; WPLE 80-90
Neugart	120GC	PLPE 120; WPLPE 120
Neugart	160G	PLE 160
Omron	40R	R7M-A10030; R88M-K10030H; SGMAV-01A; SGMAV-A5A; SGMAV-C2A; SGMJV-01A; SGMJV-05A
Omron	60P	R88M-1M40030
Omron	60PA	SGMAH-02; SGMAV-02A; SGMAV-04A; SGMAV-06A; SGMJV-02A; SGMJV-04A
Omron	60RA	R88M-1M20030; R88M-G20030H; R88M-K20030H-S2
Omron	80P	R88M-1M75030; R88M-G75030H; R88M-K75030
Oriental Motor	20AA	CVK21
Oriental Motor	28AA	AR2x; AZ2x; CVK22
Oriental Motor	35AA	CVK23
Oriental Motor	42AA	CVK24
Oriental Motor	42AB	AR4x; AZ4x
Oriental Motor	57A	PKP26
Oriental Motor	57AD	CVK26
Oriental Motor	60AB	AR6x; AZ6x
Oriental Motor	85AA	AR9x; AZ9x
Panasonic	38AA	MSMD012J1; MSMF012; MSMF5A
Panasonic	60P	MSMF042
Panasonic	60RA	MSMF022
Panasonic	80P	MSMF082
Sanyo Denki	28AA	SH2281; SH2285
Sanyo Denki	35A	SH3533; SH3537
Sanyo Denki	40R	R2EA04008; R2xA04005
Sanyo Denki	40S	R2AA04003
Sanyo Denki	40T	R2AA04005; R2AA04010
Sanyo Denki	60PA	R2AA06040; R2AA06040FX; R2xA06020
Sanyo Denki	60S	R2AA06010
Sanyo Denki	60T	R2AA06020
Sanyo Denki	80PB	R2AA08075
Sanyo Denki	90R	R2AAB8100
Schneider Electric	40A	BMH 1403
Schneider Electric	42A	ILP2R421; ILP2R422; ILP2R423
Schneider Electric	55A	BMH 055; BSH 055
Schneider Electric	57AA	NEMA23; NEMA24
Schneider Electric	57AB	BRS 364; BRS 366; IFS 61; IFS 62; ILS1x571; ILS1x572
Schneider Electric	57AC	BRS 368; IFS 63; ILS1x573
Schneider Electric	70A	BMH 0701; BMH 0702; BSH 0701; BSH 0702
Schneider Electric	70AA	BMH 0703; BSH 0703
Schneider Electric	80G	GBX080
Schneider Electric	104AA	BSH 1004
Schneider Electric	116AA	BRH 110
Schneider Electric	120G	GBX120

Product range overview

Third-party motors and gear units		
Manufacturer	Motor interface	Type
SEW Eurodrive	56GA	PSF 121; PSF 122; PSKF 121; PSKF 122
SEW Eurodrive	58AA	CMP40
SEW Eurodrive	68GA	PSC 221; PSC 222; PSF 221; PSF 222; PSKC 221; PSKC 222; PSKF 221; PSKF 222
SEW Eurodrive	70A	CMP50
SEW Eurodrive	70GA	PSCZ 221; PSCZ 222; PSKCZ 221; PSKCZ 222
SEW Eurodrive	75GA	PSC 321; PSC 322; PSF 321; PSF 322; PSKC 321; PSKC 322; PSKF 321; PSKF 322
SEW Eurodrive	88A	CMP63
SEW Eurodrive	92RA	WF10 Ø120; WF10DT56
SEW Eurodrive	100A	CFM71
SEW Eurodrive	115GA	PSC 521; PSC 522; PSF 521; PSF 522; PSKC 521; PSKC 522; PSKF 521; PSKF 522
SEW Eurodrive	120GA	RF07 Ø120; SF37 Ø120; WF30 Ø120; WF37 Ø120
SEW Eurodrive	120GB	RF27 Ø120
SEW Eurodrive	126AA	CMPZ71
SEW Eurodrive	190A	CFM112
Siemens	40R	1FK2102-0AG...; 1FK2102-1AG...
Siemens	40RA	1FK7011; 1FK7015
Siemens	55A	1FK7022; 1FT6021; 1FT6024
Siemens	60PA	1FK2103-2AG...-0...; 1FK2103-2AG...-1...; 1FK2103-4AG...-0...; 1FK2103-4AG...-1...; 1FK2203-2AG...-0...; 1FK2203-2AG...-1...; 1FK2203-4AG...-0...; 1FK2203-4AG...-1...; 1FL603x-2AF21
Siemens	60RB	1FK2103-2AG...-2...; 1FK2103-4AG...-2...; 1FK2203-2AG...-2...; 1FK2203-4AG...-2...
Siemens	68GA	SP 060S
Siemens	70AA	1FT6031; 1FT6034
Siemens	70AB	1FK7032; 1FK7033; 1FK7034; 1FT7034; 6SN2155...
Siemens	75GA	SP 075S
Siemens	80PA	1FK2104-4AK...; 1FK2104-5AK...
Siemens	80RA	1FL604x-2AF21
Siemens	84AA	1FK7040; 1FK7042; 1FK7043; 1FK7044; 1FT6041; 1FT6044; 1FT704x
Siemens	96RB	1FT7042; 1FT7044; 1FT7046
Siemens	115GA	SP 100S
Siemens	120GA	BF29-KQ-703
Siemens	120GB	ZF29-KQ-704; ZF29-KQ-706
Siemens	126AA	1FK7060; 1FK7062; 1FK7063; 1FT6061; 1FT6062; 1FT6064; 1FT7062; 1FT7064; 1FT7066; 1FT7068; 1FK2206
Siemens	158AA	1FK7080; 1FK7083; 1FK7086; 1FT6081; 1FT6082; 1FT6084; 1FT6086
Wittenstein Alpha	40G	CP 005; CPK 005; alphira CP 040
Wittenstein Alpha	50GA	NPK 005; LP+ 050 (replaced by NP 005); LPK+ 050 (replaced by NPK 005); LK+ 050; LK+ 050; LP+ 050; LPK+ 050; NP 005
Wittenstein Alpha	60H	CP 015; CPK 015; alphira CP 060
Wittenstein Alpha	68GA	SK+ 060; SP+ 060; SPC+ 060; SK+ 060 MF; SP+ 060 MF
Wittenstein Alpha	70GA	NP 015; NPK 015; LP+ 070 (replaced by NP 015); LPK+ 070 (replaced by NPK 015); LK+ 070; LK+ 070; LP+ 070; LPK+ 070
Wittenstein Alpha	75GA	SK+ 075; SP+ 075; SPK+ 075; SPC+ 075; SK+ 075 MF; SP+ 075 MC; SP+ 075 MF; SPK+ 075 MF
Wittenstein Alpha	80G	CP 025; CPK 025; alphira CP 080
Wittenstein Alpha	90GA	NP 025; NPK 025; LP+ 090 (replaced by NP 025); LPK+ 090 (replaced by NPK 025); LK+ 090; LK+ 090; LP+ 090; LPK+ 090
Wittenstein Alpha	115GA	SK+ 100; SP+ 100; SPK+ 100; SPC+ 100; SK+ 100 MF; SP+ 100 MC; SP+ 100 MF; SPK+ 100 MF
Wittenstein Alpha	120G	CP 035; CPK 035; alphira CP 115
Wittenstein Alpha	120GC	NP 035; NPK 035; LP+ 120 (replaced by NP 035); LPK+ 120 (replaced by NPK 035); LK+ 120; LK+ 120; LP+ 120; LPK+ 120
YASKAWA	25A	SGMM...
YASKAWA	40R	SGM7J-A5A.A2.; SGM7J-01A.A2.; SGM7J-C2A.A2.; SGM7JA-A5A.A2.; SGM7JA-01A.A2.; SGM7JA-C2A.A2.
YASKAWA	60PA	SGM7J-02A.A2.; SGM7J-04A.A2.; SGM7J-06A.A2.
YASKAWA	60S	SGM7P-01A..2.
YASKAWA	80PA	SGM7J-08A.A2.

Festo - Your Partner in Automation



1 Festo Inc.
5300 Explorer Drive
Mississauga, ON L4W 5G4
Canada

Festo Customer Interaction Center
Tel: 1 877 463 3786
Fax: 1 877 393 3786
Email: customer.service.ca@festo.com

2 Festo Pneumatic
Av. Ceylán 3,
Col. Tequesquináhuac
54020 Tlalnepantla,
Estado de México

Multinational Contact Center
01 800 337 8669
ventas.mexico@festo.com

3 Festo Corporation
1377 Motor Parkway
Suite 310
Islandia, NY 11749

Festo Customer Interaction Center
1 800 993 3786
1 800 963 3786
customer.service.us@festo.com

4 Regional Service Center
7777 Columbia Road
Mason, OH 45040

Connect with us



www.festo.com/socialmedia



www.festo.com

Subject to change