

Product range overview

Function	Version	Type	Connection technology (Electrical connection 2)	Cable characteristic	Length	→ Page/ Internet
Electrical connection 1: socket	Standard mounting: Sub-D					
	9-pin	KMP6	Open cable end	Standard	2.5 m 5 m 10 m	5
	15-pin	KMP6	Open cable end	Standard	2.5 m 5 m 10 m	8
	25-pin	NEBV-S1 NEBV-CS1 KMP6	Open cable end	Standard	2.5 m 5 m 10 m	11
	26-pin	KMP6	Open cable end	Standard	2.5 m 5 m 10 m	17
	44-pin	NEBV-S1 NEBV-CS1 NEBV-CS7	Open cable end	Standard	2 m 5 m 10 m	20
	Hood for valve terminal MPA					
	25-pin	VMPA-KMS	Open cable end	–	2.5 m 5 m 10 m	25
	Hood for valve terminal MPA-L					
	25-pin	VMPAL-KM	Open cable end	Standard Suitable for energy chains	2.5 m 5 m 10 m 0.5 ... 30 m	28
	44-pin	VMPAL-KM	Open cable end	Standard	2.5 m 5 m 10 m 0.5 ... 30 m	30
	Hood for valve terminal VTSA/VTSA-F					
	37-pin	NEBV-S1W37	Open cable end	Standard Suitable for energy chains	2.5 m 5 m 10 m	32
	Hood for valve terminal CPV					
	9-pin	KMP3-9P KMP4-9P	Open cable end	Standard Suitable for energy chains	5 m 10 m 1 ... 99 m	36
	25-pin	KMP3-25P KMP4-25P	Open cable end	Standard Suitable for energy chains	5 m 10 m 1 ... 99 m	39
	Hood for multi-pin plug distributor MPV					
	15-pin	KMPV-SUB-D	Open cable end	–	5 m 10 m	43

Type codes

001	Series
NEBV	Connecting cable for valves

002	Product version
	Standard
C	Easy-to-clean design

003	Connection technology left, field device side
A1	Socket type A, EN 175301-803
B2	Socket type B, industry standard, 11 mm
C1S	Socket type C, narrow design
H1	Socket connection pattern H
M8	Socket M8x1 A-coded, EN 61076-2-104
M12	Socket M12x1 A-coded, EN 61076-2-101
Z3	Socket connection pattern ZC, self-tapping screw
Z4	Socket connection pattern ZC, metric screw
S1	Sub-D socket
S7	Sub-D HD socket
Q7	Port pattern Q7 socket
HS	Socket connection pattern S
HP	Socket connection pattern HP

004	Cable outlet left
	None
G	Straight
W	Angled
WA	Angled 45°

005	Number of pins/wires on the left
2	2
3	3
4	4
8	8
9	9
15	15
25	25
37	37
44	44

006	Display
	None
F	LED signal status, AC
L	LED signal status, DC
N	LED switching state, NPN
P	LED switching state, PNP
U	LED, UC

007	Additional socket functions
	None
HL	Hood for MPA-L
HM	Hood for MPA-S
HS	With seal

008	Circuitry
	None
P	Protective circuit
R	Holding current reduction with integrated protective circuit

009	Cable characteristic
P	Basic
K	Standard
E	Suitable for energy chains
F	Food-safe to standard

010	Cable design
	Standard
D	Double cable
M	Alternative material
N	Leads

011	Cable length [m]
0.1	0.1
0.2	0.2
0.3	0.3
0.5	0.5
0.6	0.6
1	1
2	2
2.5	2.5
3	3
5	5
10	10

012	Cable identification
	With label holder
N	Without label holder

013	Connection technology right, controller side
LE	Open end
M8	Plug M8x1 A-coded, EN 61076-2-104
M12	Plug M12x1 A-coded, EN 61076-2-101
Z1	Port pattern ZB plug, self-tapping screw

014	Plug
	None
G	Straight
W	Angled

015	Number of pins/wires on the right
2	2
3	3
4	4
5	5
10	10
15	15
25	25
26	26
27	27
36	36
37	37
39	39
44	44

016	Degree of protection, electrical system
	Standard
S6	IP40
S1	IP65
S9	IP65/IP67
S10	IP65/IP67/IP69K

Type codes

001	Series
KMP3	Connecting cable, Sub-D socket
KMP4	Connecting cable, Sub-D socket
KMP6	Connecting cable, Sub-D socket
KMPV	Connecting cable, Sub-D socket

002	Connection technology left, field device side
	Standard
SUB	Sub-D

003	Connection technology on the left, connection type
	Standard
D	Socket

004	Number of pins/wires on the left
9P	9-pin
15P	15-pin
15	15-pin
25P	25-pin
26P	26-pin

005	Number of pins/wires on the right
	Standard
8	9-pin
08	10-pin
12	15-pin
16	18-pin or 20-pin
20	25-pin

006	Cable length
2,5	2.5 m
5,0	5 m
10,0	10 m
	1 ... 99 m

007	Material of cable sheath
	Cable sheath made of PUR or PVC
PUR	Cable sheath made of PUR
PVC	PVC

Type codes

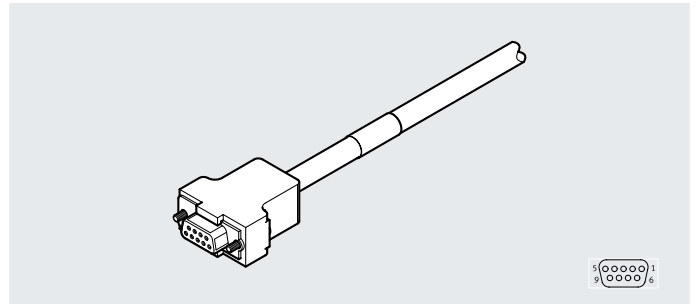
001	Series	
VMPA	Solenoid valve	
VMPAL	Solenoid valve	
002	Use	
KM	Cable for multi-pin plug connection	
KMS	Cable for multi-pin plug connection	
003	Variant	
	None	
1	Variant 1	
2	Variant 2	
004	Cable characteristic	
	Standard	
SK	Suitable for energy chains	
005	Cable outlet	
	Standard	
V	Front	
S	On the side	

006	Electrical connection 1, number of pins/wires	
	Standard	
SD25	25-pin	
SD44	44-pin	
007	Electrical connection 2 number of pins/wires	
	Standard	
8	10-pin	
24	25-pin	
008	Degree of protection, electrical system	
	Standard	
IP67	IP67	
009	Cable length	
2,5	2.5 m	
2,5		
5,0	5 m	
10,0	10 m	
	0.5 ... 30 m	
010	Material of cable sheath	
	Cable sheath made of PUR or PVC	
PUR	Cable sheath made of PUR	

Datasheet

Connecting cable KMP6

- Connecting cable for multi-pin plug connection
- Pre-assembled at one end
- Straight socket
- Cable lengths 2.5 m, 5 m or 10 m
- 9 wires
- Sub-D, 9-pin



General technical data

Conforms to standard	DIN 41652
Cable designation	Without inscription label holder
Contact durability	50

Technical data – Electrical connection 1

Function	Field device side
Connection type	Socket
Cable outlet	Straight
Design	Square
Connection technology	Sub-D
Number of pins/cores	9
Assigned pins/cores	9
Type of mounting	2x screw 4-40 UNC

Technical data – Electrical connection 2

Function	Controller side
Connection type	Cable
Connection technology	Open end
Number of pins/cores	9
Assigned pins/cores	9
Wire ends	Cut off bluntly

Technical data – Electrics

Nominal operating voltage	[V DC]	24
Operating voltage range	[V DC]	0 ... 30
Current rating at 40°C	[A]	2.8
Surge resistance	[kV]	1
Pollution degree		2

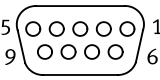
Datasheet

Technical data – Cable		
Cable diameter	[mm]	7.6
Cable diameter tolerance	[mm]	±0.25
Cable characteristic		Standard
Cable test conditions		Test conditions on request
Bending radius, fixed cable installation	[mm]	≥76
Bending radius, flexible cable installation	[mm]	≥114
Cable composition	[mm ²]	8x0.34 + 1x0.5
Nominal conductor cross section	[mm ²]	0.34
	[mm ²]	0.5

Materials	
Housing	Reinforced PBT
Housing colour	Grey
Screw-type lock	Nickel-plated brass
Pin contacts	Gold-plated copper alloy
Cable sheath	PVC
Cable sheath colour	Grey
Note on materials	RoHS-compliant
LABS (PWIS) conformity	VDMA24364-B2-L

Operating and environmental conditions		
Ambient temperature	[°C]	-25 ... +70
Ambient temperature with flexible cable installation	[°C]	-5 ... +70
Storage temperature	[°C]	-25 ... +75
CE marking (see declaration of conformity) ¹⁾		To EU RoHS Directive
UKCA marking (see declaration of conformity) ¹⁾		To UK RoHS regulations
Degree of protection		IP40
Note on degree of protection		In mounted state

1) More information: www.festo.com/catalogue/... → Support/Downloads.

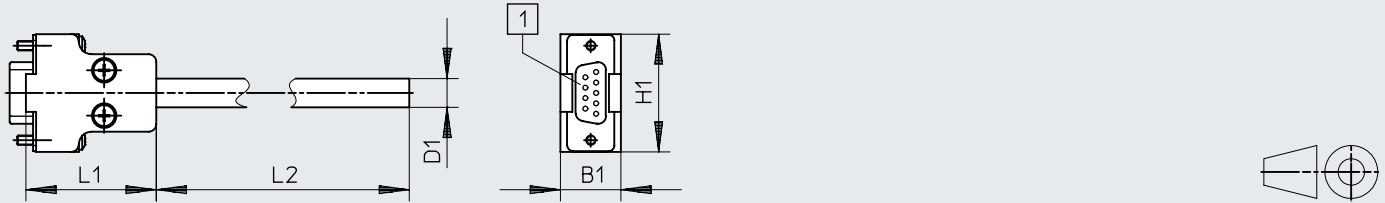
Circuitry (socket view)		
	Pin	Wire colour ¹⁾
	1	WH
	2	BN
	3	GN
	4	YE
	5	GY
	6	PK
	7	BU
	8	RD
	9	BK
		Nominal conductor cross section 0.5 mm ²

1) To IEC 757

Datasheet

Dimensions

Download CAD data → www.festo.com



[1] Sub-D socket, 9-pin

Type	B1	D1	H1	L1	L2
KMP6-09P-8-2.5	16	7.6	31.2	34.5	2500
KMP6-09P-8-5					5000
KMP6-09P-8-10					10000

Ordering data

Electrical connection	Cable length [m]	Weight [g]	Part no.	Type
Sub-D socket, 9-pin	2.5	248	531184	KMP6-09P-8-2.5
	5	454	531185	KMP6-09P-8-5
	10	864	531186	KMP6-09P-8-10

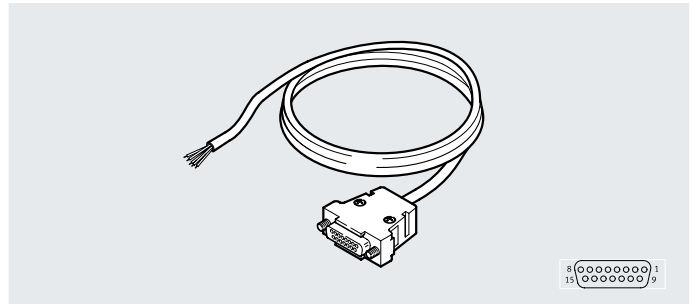
Ordering data – Accessories

	Part no.	Type
 <p>Inscription labels for attaching to a cable</p> <ul style="list-style-type: none"> • Suitable for cable diameters 5 ... 8 mm • Labelling area 5x20 mm 	33361	KM-BZ

Datasheet

Connecting cable KMP6

- Connecting cable for multi-pin plug connection
- Pre-assembled at one end
- Straight socket
- Cable lengths 2.5 m, 5 m or 10 m
- 15 wires
- Sub-D, 15-pin



General technical data		
Conforms to standard	DIN 41652	
Cable designation	Without inscription label holder	
Contact durability	50	
Technical data – Electrical connection 1		
Function	Field device side	
Connection type	Socket	
Cable outlet	Straight	
Design	Square	
Connection technology	Sub-D	
Number of pins/cores	15	
Assigned pins/cores	15	
Type of mounting	2x screw 4-40 UNC	
Technical data – Electrical connection 2		
Function	Controller side	
Connection type	Cable	
Connection technology	Open end	
Number of pins/cores	15	
Assigned pins/cores	15	
Wire ends	Cut off bluntly	
Technical data – Electrics		
Nominal operating voltage	[V DC]	24
Operating voltage range	[V DC]	0 ... 30
Current rating at 40°C	[A]	2.8
Surge resistance	[kV]	1
Pollution degree		2

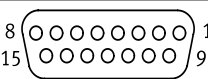
Datasheet

Technical data – Cable		
Cable diameter	[mm]	8.6
Cable diameter tolerance	[mm]	±0.25
Cable characteristic		Standard
Cable test conditions		Test conditions on request
Bending radius, fixed cable installation	[mm]	≥86
Bending radius, flexible cable installation	[mm]	≥129
Cable composition	[mm ²]	15x0.34
Nominal conductor cross section	[mm ²]	0.34

Materials	
Housing	Reinforced PBT
Housing colour	Grey
Screw-type lock	Nickel-plated brass
Pin contacts	Gold-plated copper alloy
Cable sheath	PVC
Cable sheath colour	Grey
Note on materials	RoHS-compliant
LABS (PWIS) conformity	VDMA24364-B2-L

Operating and environmental conditions		
Ambient temperature	[°C]	-25 ... +70
Ambient temperature with flexible cable installation	[°C]	-5 ... +70
Storage temperature	[°C]	-20 ... +75
CE marking (see declaration of conformity) ¹⁾		To EU RoHS Directive
UKCA marking (see declaration of conformity) ¹⁾		To UK RoHS regulations
Degree of protection		IP40
Note on degree of protection		In mounted state

1) More information: www.festo.com/catalogue/... → Support/Downloads.

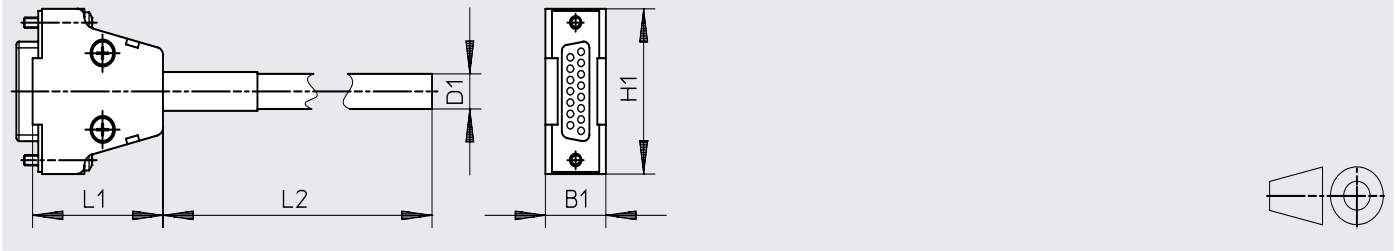
Circuitry (socket view)		Pin	Wire colour ¹⁾
	1	WH	
	2	BN	
	3	GN	
	4	YE	
	5	GY	
	6	PK	
	7	BU	
	8	RD	
	9	BK	
	10	VT	
	11	GY PK	
	12	RD BU	
	13	GN WH	
	14	BN GN	
	15	YE WH	

1) According to IEC 757

Datasheet

Dimensions

Download CAD data → www.festo.com



Type	B1	D1	H1	L1	L2
KMP6-15P-12-2.5	16	8.5	40	34.5	2500
KMP6-15P-12-5					5000
KMP6-15P-12-10					10000

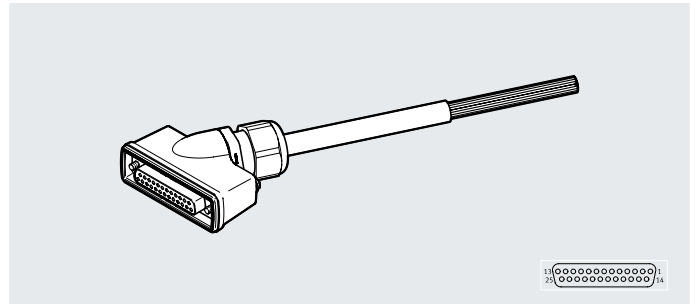
Ordering data

Electrical connection	Cable length [m]	Weight [g]	Part no.	Type
Sub-D socket, 15-pin	2.5	293	527543	KMP6-15P-12-2.5
	5	585	527544	KMP6-15P-12-5
	10	1134	527545	KMP6-15P-12-10

Datasheet

Connecting cable
NEBV-S1G25
NEBV-S1WA25
NEBV-C-S1WA25
KMP6

- Connecting cable for multi-pin plug connection
- Pre-assembled at one end
- Straight or angled socket
- Cable lengths 2.5 m, 5 m or 10 m
- 15, 20 or 25 wires
- Sub-D, 25-pin



General technical data						
Type	KMP6	NEBV-S1G25	NEBV-S1G25 ... S6	NEBV-S1WA25	NEBV-C-S1WA25HS	
Based on standard	–	–	DIN 47100	DIN 47100	DIN 47100	
Conforms to standard	DIN 41652	–	–	–	–	
Cable designation	Without inscription label holder	–	Without inscription label holder	Without inscription label holder	Without inscription label holder	
Special characteristics	–	–	–	–	Easy to clean	
Contact durability	50	–	50	50	50	
Technical data – Electrical connection 1						
Function	Field device side	–	Field device side	Field device side	Field device side	
Connection type	Socket	Socket	Socket	Socket	Socket	
Cable outlet	Straight	–	Straight	Angled	Angled	
Design	Square	–	Square	Square	Square	
Connection technology	Sub-D	Sub-D	Sub-D	Sub-D	Sub-D	
Number of pins/cores	25	25	25	25	25	
Assigned pins/wires	15, 25	–	25	25	25	
Type of mounting	2x screw 4-40 UNC	2x screw 4-40 UNC	2x screw 4-40 UNC	2x screw 4-40 UNC	2x screw 4-40 UNC	
	–	–	–	–	With seal	
Technical data – Electrical connection 2						
Function	Controller side	Controller side	Controller side	Controller side	Controller side	
Connection type	Cable	Cable	Cable	Cable	Cable	
Connection technology	Open end	Open end	Open end	Open end	Open end	
Number of pins/cores	15, 25	15, 25	25	25	25	
Assigned pins/wires	15, 25	–	25	25	–	
Wire ends	Cut off bluntly	–	Cut off bluntly	Cut off bluntly	–	
Technical data – Electrics						
Type	KMP6	NEBV-S1G25	NEBV-S1G25 ... S6	NEBV-S1WA25	NEBV-C-S1WA25HS	
Nominal operating voltage [V DC]	24	24	–	–	–	
Operating voltage range [V DC]	0 ... 30	–	0 ... 30	0 ... 30	0 ... 30	
Current rating at 40°C [A]	2.8	–	2.6	2.6	2.6	
Surge resistance [kV]	1	–	2.4	2.4	–	
Reverse polarity protection	–	–	Yes	Yes	–	
Protective earth connection	–	–	–	–	Not provided	
Pollution degree	2	–	2	3	3	

Datasheet

Technical data – Cable					
Type		KMP6-25P-12	NEBV-S1G25 ... LE15	KMP6-25P-20	NEBV-S1G25 ... LE25
Cable diameter	[mm]	8.6	9	10.3	10.5
Cable diameter tolerance	[mm]	±0.25	–	±0.25	–
Cable characteristic		Standard	Standard	Standard	Standard
Cable test conditions		Test conditions on request	–	Test conditions on request	–
Minimum cable bending radius	[mm]	–	90	–	105
Bending radius, fixed cable installation	[mm]	≥86	–	≥103	–
Bending radius, flexible cable installation	[mm]	≥129	–	≥103	–
Cable composition	[mm ²]	15x0.34	15x0.34	20x0.25 + 5x0.34	20x0.25 + 5x0.34
Nominal conductor cross section	[mm ²]	0.34	–	0.25	–
	[mm ²]	–	–	0.34	–

Technical data – Cable				
Type		NEBV-S1G25 ... S6	NEBV-S1WA25	NEBV-CS1WA25HS
Cable diameter	[mm]	10.2	10.2	10.2
Cable fitting		–	M20x1.5	–
Cable diameter tolerance	[mm]	±0.25	±0.25	±0.25
Cable characteristic		Standard	Standard	Standard
Cable test conditions		Test conditions on request	Test conditions on request	–
Minimum cable bending radius	[mm]	–	–	–
Bending radius, fixed cable installation	[mm]	≥42	≥42	≥41
Bending radius, flexible cable installation	[mm]	≥126	≥126	≥122
Cable composition	[mm ²]	25x0.34	25x0.34	25x0.34
Nominal conductor cross section	[mm ²]	0.34	0.34	0.34

Materials						
Type		KMP6	NEBV-S1G25	NEBV-S1G25 ... S6	NEBV-S1WA25	NEBV-CS1WA25HS
Housing		Reinforced PBT	PBT	Reinforced PC	PA66-GF30	Reinforced PA
Housing colour		Grey	–	Black	Black	Grey
Union nut		–	PA	–	–	–
Screw-type lock		Nickel-plated brass	–	–	–	–
Screws		–	–	Nickel-plated brass	Steel	Stainless steel
Seals		–	TPE-O	–	NBR	EPDM
Pin contacts		Gold-plated copper alloy	–	Bronze, gold-plated	Bronze, gold-plated	Bronze, gold-plated
Cable sheath		PVC	PVC	PVC	PVC	PVC
Cable sheath colour		Grey	–	Grey	Grey	Grey
Insulating sheath		–	–	PVC	PVC	PVC
Note on materials		RoHS-compliant	RoHS-compliant	RoHS-compliant	RoHS-compliant	RoHS-compliant
LABS (PWIS) conformity		VDMA24364-B2-L	VDMA24364-B2-L	VDMA24364-B2-L	VDMA24364-B2-L	VDMA24364-B2-L

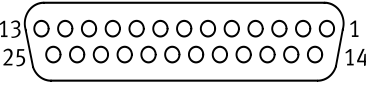
Datasheet

Operating and environmental conditions					
Type	KMP6	NEBV-S1G25	NEBV-S1G25 ... S6	NEBV-S1WA25	NEBV-C-S1WA25HS
Ambient temperature [°C]	-25 ... +70	-	-35 ... +80	-35 ... +80	-5 ... +60
Ambient temperature with flexible cable installation [°C]	-5 ... +70	-5 ... +50	-5 ... +80	-5 ... +80	-5 ... +60
Storage temperature [°C]	-25 ... +75	-	-25 ... +75	-35 ... +80	-20 ... +40
Corrosion resistance class CRC ¹⁾	-	2	0	2	3
CE marking (see declaration of conformity) ²⁾	To EU RoHS Directive	To EU RoHS Directive	To EU RoHS Directive	To EU RoHS Directive	To EU RoHS Directive
UKCA marking (see declaration of conformity) ²⁾	To UK RoHS regulations	To UK RoHS regulations	To UK RoHS regulations	To UK RoHS regulations	To UK RoHS regulations
Degree of protection	IP40	IP65	IP40	IP65	IP65
	-	IP67	-	IP67	IP67
	-	-	-	-	IP69K
Note on degree of protection	In mounted state	In mounted state	In mounted state	In mounted state	In mounted state

1) More information www.festo.com/x/topic/crc

2) More information: www.festo.com/catalogue/... → Support/Downloads.

Circuitry (socket view)

	Open end, 15-core		Open end, 25-core	
	Pin	Wire colour ¹⁾	Pin	Wire colour ¹⁾
	1	WH	1	WH
	2	BN	2	BN
	3	GN	3	GN
	4	YE	4	YE
	5	GY	5	GY
	6	PK	6	PK
	7	BU	7	BU
	8	RD	8	RD
	9	BK	9	BK
	10	VT	10	VT
	11	GY PK	11	GY PK
	12	RD BU	12	RD BU
	13	-	13	GN WH
	14	-	14	BN GN
	15	-	15	YE WH
	16	-	16	BN YE
	17	-	17	GY WH
	18	-	18	BN GY
	19	-	19	WH PK
	20	-	20	BN PK
	21	-	21	BU WH ²⁾
	22	-	22	BN BU ²⁾
	23	GN WH	23	RD WH ²⁾
	24	BN GN	24	BN RD ²⁾
	25	YE WH	25	BK WH ²⁾

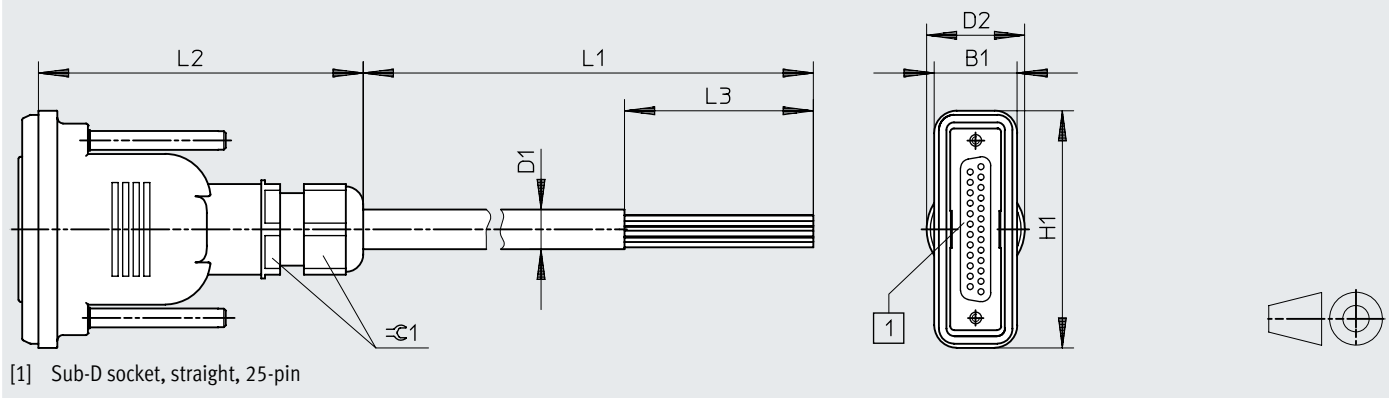
1) To IEC 757

2) Nominal conductor cross section 0.34 mm²

Datasheet

Dimensions

Download CAD data → www.festo.com

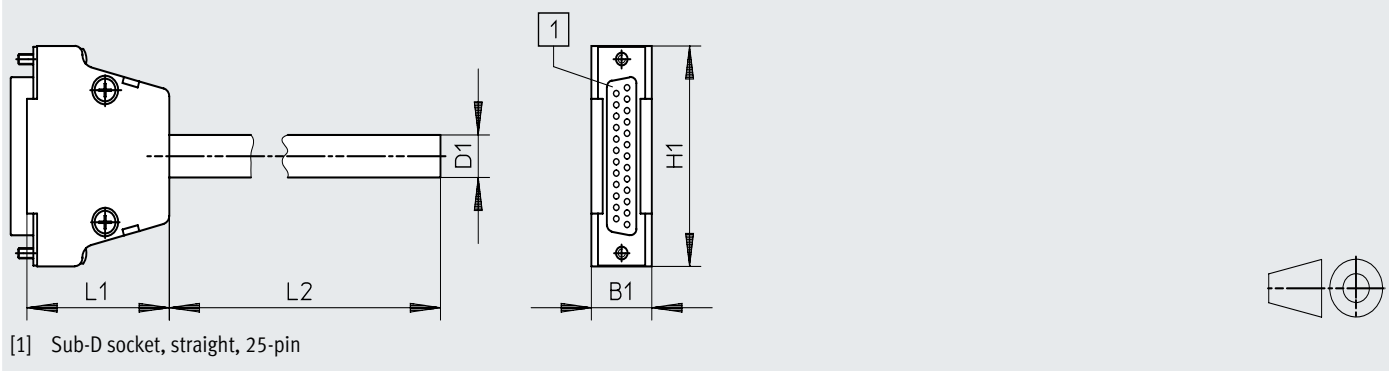


[1] Sub-D socket, straight, 25-pin

Type	B1	D1 ∅	D2 ∅	H1	L1	L2	L3	⌀C1
NEBV-S1G25-K-2.5-N-LE15	22	9	26	62.8	2500	86±0.5	60	24
NEBV-S1G25-K-5-N-LE15					5000			
NEBV-S1G25-K-10-N-LE15					10000			
NEBV-S1G25-K-2.5-N-LE25	22	10.5	26	62.8	2500	86±0.5	50	24
NEBV-S1G25-K-5-N-LE25					5000			
NEBV-S1G25-K-10-N-LE25					10000			

Dimensions

Download CAD data → www.festo.com



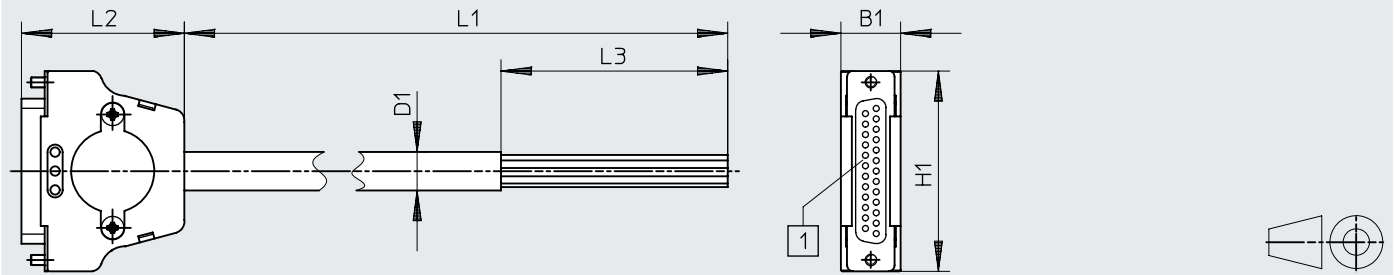
[1] Sub-D socket, straight, 25-pin

Type	B1	D1 ∅	H1	L1	L2
KMP6-25P-12-2.5	16	8.5	53.4	37.7	2500
KMP6-25P-12-5					5000
KMP6-25P-12-10					10000
KMP6-25P-20-2.5	16	10.3	53.4	37.7	2500
KMP6-25P-20-5					5000
KMP6-25P-20-10					10000

Datasheet

Dimensions

Download CAD data → www.festo.com

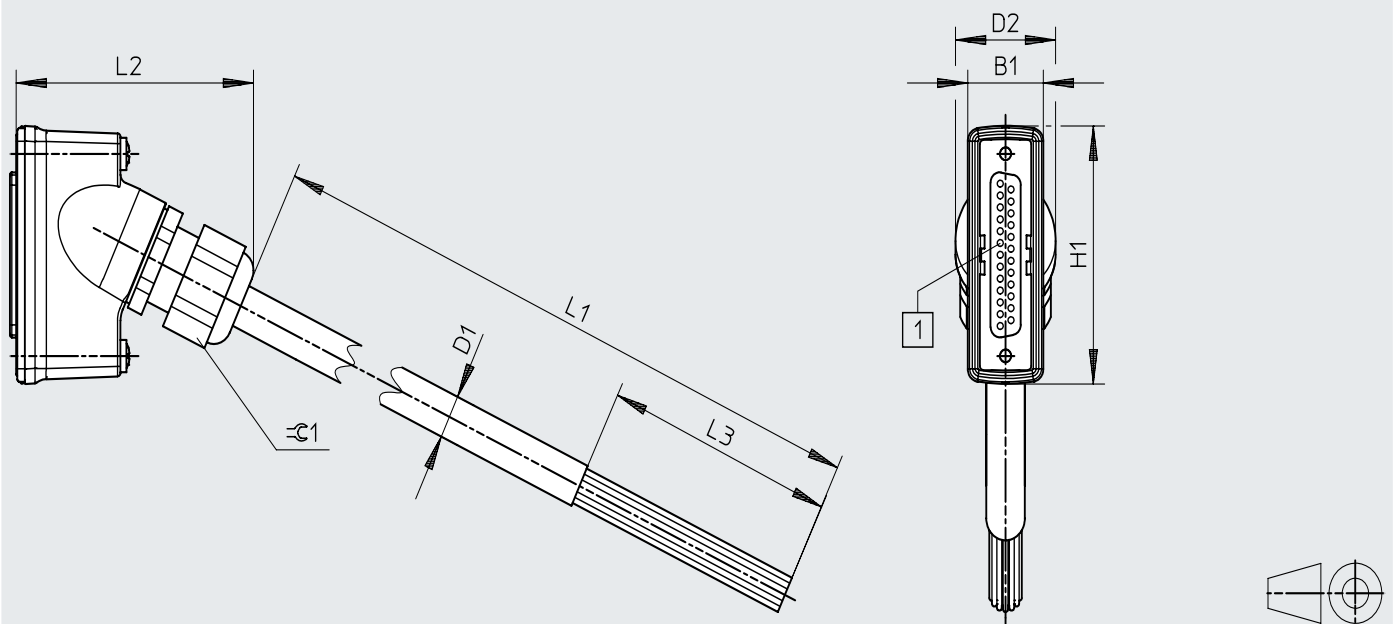


[1] Sub-D socket, straight, 25-pin

Type	B1	D1 ∅	H1	L1	L2	L3
NEBV-S1G25-K-2.5-N-LE25-S6	15.8	10.2	53	2500	43.1	60
NEBV-S1G25-K-5-N-LE25-S6				5000		
NEBV-S1G25-K-10-N-LE25-S6				10000		

Dimensions

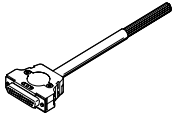
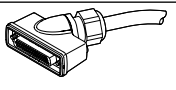
Download CAD data → www.festo.com



[1] Sub-D socket, straight, 25-pin

Type	B1	D1 ∅	D2 ∅	H1	L1	L2	L3	≅C1
NEBV-S1WA25-K-2.5-N-LE25-S9	20	10.2	26.5	60	2500	60	60	24
NEBV-S1WA25-K-5-N-LE25-S9					5000			
NEBV-S1WA25-K-10-N-LE25-S9					10000			
NEBV-CS1WA25HS-K-2.5-N-LE25-S10	20	10.2	26.5	60	2500	60	60	24
NEBV-CS1WA25HS-K-5-N-LE25-S10					5000			
NEBV-CS1WA25HS-K-10-N-LE25-S10					10000			

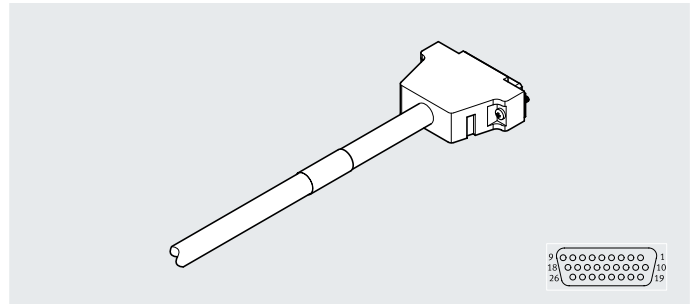
Datasheet

Ordering data							
		Cable composition [mm ²]	Degree of protection	Cable length [m]	Weight [g]	Part no.	Type
Straight socket							
	Open end, 15-core	15x 0.34	IP40	2.5	329	530049	KMP6-25P-12-2.5
				5	590	530050	KMP6-25P-12-5
				10	1140	530051	KMP6-25P-12-10
		IP65, IP67	2.5	370	538222	NEBV-S1G25-K-2.5-N-LE15	
			5	670	538223	NEBV-S1G25-K-5-N-LE15	
			10	1270	538224	NEBV-S1G25-K-10-N-LE15	
	Open end, 25-core	25x 0.34	IP40	2.5	490	575417	NEBV-S1G25-K-2.5-N-LE25-S6
				5	930	575418	NEBV-S1G25-K-5-N-LE25-S6
				10	1820	575419	NEBV-S1G25-K-10-N-LE25-S6
		20x 0.25 5x 0.34	IP40	2.5	432	530046	KMP6-25P-20-2.5
				5	814	530047	KMP6-25P-20-5
				10	1600	530048	KMP6-25P-20-10
		20x 0.25 5x 0.34	IP65, IP67	2.5	490	538225	NEBV-S1G25-K-2.5-N-LE25
				5	910	538226	NEBV-S1G25-K-5-N-LE25
				10	1750	538227	NEBV-S1G25-K-10-N-LE25
Angled socket							
	Open end, 25-core	25x 0.34	IP65, IP67	2.5	510	575423	NEBV-S1WA25-K-2.5-N-LE25-S9
				5	950	575424	NEBV-S1WA25-K-5-N-LE25-S9
				10	1850	575425	NEBV-S1WA25-K-10-N-LE25-S9
			IP65, IP67, IP69K	2.5	460	2265131	NEBV-C-S1WA25HS-K-2.5-N-LE25-S10
				5	860	2265132	NEBV-C-S1WA25HS-K-5-N-LE25-S10
				10	1660	2265133	NEBV-C-S1WA25HS-K-10-N-LE25-S10

Datasheet

Connecting cable KMP6

- Connecting cable for multi-pin plug connection
- Pre-assembled at one end
- Straight socket
- Cable lengths 2.5 m, 5 m or 10 m
- 20 wires
- Sub-D, 26-pin



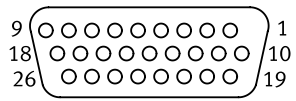
General technical data		
Conforms to standard	DIN 41652	
Cable designation	Without inscription label holder	
Contact durability	50	
Technical data – Electrical connection 1		
Function	Field device side	
Connection type	Socket	
Cable outlet	Straight	
Design	Square	
Connection technology	Sub-D	
Number of pins/cores	26	
Assigned pins/cores	20	
Type of mounting	2x screw 4-40 UNC	
Technical data – Electrical connection 2		
Function	Controller side	
Connection type	Cable	
Connection technology	Open end	
Number of pins/cores	20	
Assigned pins/cores	20	
Wire ends	Cut off bluntly	
Technical data – Electrics		
Nominal operating voltage	[V DC]	24
Operating voltage range	[V DC]	0 ... 30
Current rating at 40°C	[A]	2.8
Surge resistance	[kV]	1
Pollution degree		2
Technical data – Cable		
Cable diameter	[mm]	8.8
Cable diameter tolerance	[mm]	±0.25
Cable characteristic		Standard
Cable test conditions		Test conditions on request
Bending radius, fixed cable installation	[mm]	≥88
Bending radius, flexible cable installation	[mm]	≥132
Cable composition	[mm ²]	20x0.25
Nominal conductor cross section	[mm ²]	0.25

Datasheet

Materials	
Housing	Reinforced PBT
Housing colour	Grey
Screw-type lock	Nickel-plated brass
Pin contacts	Gold-plated copper alloy
Cable sheath	PVC
Cable sheath colour	Grey
Note on materials	RoHS-compliant
LABS (PWIS) conformity	VDMA24364-B2-L

Operating and environmental conditions	
Ambient temperature [°C]	-25 ... +70
Ambient temperature with flexible cable installation [°C]	-5 ... +70
Storage temperature [°C]	-25 ... +75
CE marking (see declaration of conformity) ¹⁾	To EU RoHS Directive
UKCA marking (see declaration of conformity) ¹⁾	To UK RoHS regulations
Degree of protection	IP40
Note on degree of protection	In mounted state

1) More information: www.festo.com/catalogue/... → Support/Downloads.

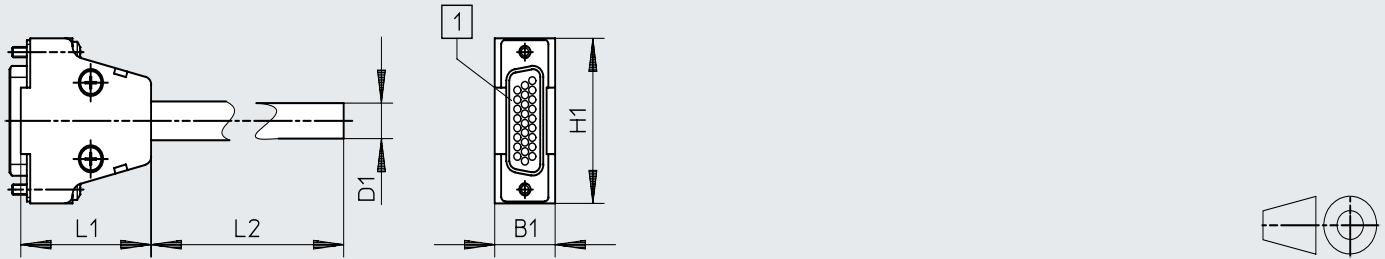
Circuitry (socket view)	Pin	Wire colour ¹⁾
	1	WH
	2	BN
	3	GN
	4	YE
	5	GY
	6	PK
	7	BU
	8	RD
	9	BK
	10	VT
	11	GY PK
	12	RD BU
	13	GN WH
	14	BN GN
	15	YE WH
	16	BN YE
	17	-
	18	-
	19	-
	20	-
	21	-
	22	-
	23	GY WH
	24	BN GY
	25	WH PK
	26	BN PK

1) To IEC 757

Datasheet

Dimensions

Download CAD data → www.festo.com



[1] Sub-D socket, 26-pin

Type	B1	D1	H1	L1	L2
KMP6-26P-16-2.5	16	8.6	40	34.5	2500
KMP6-26P-16-5					5000
KMP6-26P-16-10					10000

Ordering data

Electrical connection	Cable length [m]	Weight [g]	Part no.	Type
Sub-D socket, 26-pin	2.5	280	527546	KMP6-26P-16-2.5
	5	570	527547	KMP6-26P-16-5
	10	1145	527548	KMP6-26P-16-10

Datasheet

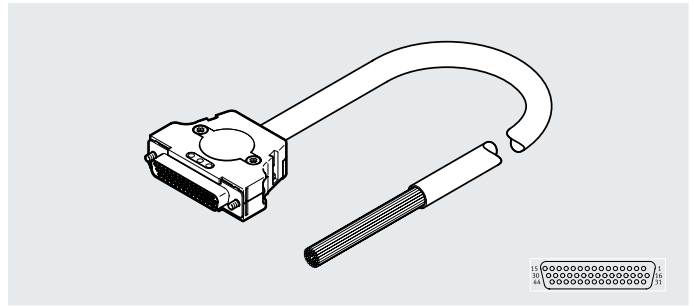
Connecting cable

NEBV-S1G44

NEBV-S1WA44

NEBV-C-S7WA44HS

- Connecting cable for multi-pin plug connection
- Pre-assembled at one end
- Straight or angled socket
- Cable lengths 2.5 m, 5 m or 10 m
- 36, 39 or 44 wires
- Sub-D, 44-pin



General technical data				
Type	NEBV-S1G44	NEBV-S1G44 ... S6	NEBV-S1WA44	NEBV-C-S7WA44HS
Based on standard	–	DIN 47100	DIN 47100	DIN 47100
Cable designation	–	Without inscription label holder	Without inscription label holder	Without inscription label holder
Special characteristics	–	–	–	Easy to clean
Contact durability	–	50	50	50
Technical data – Electrical connection 1				
Function	Field device side	Field device side	Field device side	Field device side
Connection type	Socket	Socket	Socket	Socket
Cable outlet	–	Straight	Angled	Angled
Design	–	Square	Square	Square
Connection technology	Sub-D	Sub-D	Sub-D	Sub-D
Number of pins/cores	44	44	44	44
Assigned pins/wires	–	44	44	36
Type of mounting	2x screw 4-40 UNC	2x screw 4-40 UNC	2x screw 4-40 UNC	2x screw 4-40 UNC
	–	–	–	With seal
Technical data – Electrical connection 2				
Function	–	Controller side	Controller side	Controller side
Connection type	–	Cable	Cable	Cable
Connection technology	–	Open end	Open end	Open end
Number of pins/cores	–	44	44	36
Assigned pins/wires	–	44	44	–
Wire ends	–	Cut off bluntly	Cut off bluntly	–
Technical data – Electrics				
Type	NEBV-S1G44	NEBV-S1G44 ... S6	NEBV-S1WA44	NEBV-C-S7WA44HS
Operating voltage range [V DC]	≤30	0 ... 30	0 ... 30	0 ... 30
Current rating at 40°C [A]	0.86	0.86	0.86	0.86
Surge resistance [kV]	–	2.4	2.4	–
Reverse polarity protection	–	Yes	Yes	–
Protective earth connection	–	–	–	Not provided
Pollution degree	–	2	3	3

Datasheet

Technical data – Cable				
Type	NEBV-S1G44	NEBV-S1G44 ... S6	NEBV-S1WA44	NEBV-CS7WA44HS
Cable diameter [mm]	9.6	10.2	10.2	9.6
Cable fitting	–	–	M20x1.5	–
Cable diameter tolerance [mm]	±0.5	±0.3	±0.3	±0.2
Cable characteristic	Standard	Standard	Standard	Standard
Cable test conditions	–	Test conditions on request	Test conditions on request	–
Minimum cable bending radius [mm]	95	–	–	–
Bending radius, fixed cable installation [mm]	–	≥42	≥42	≥39
Bending radius, flexible cable installation [mm]	–	≥126	≥126	≥115
Cable composition [mm ²]	40x0.14	44x0.14	44x0.14	36x0.25
Connection cross section [mm ²]	–	–	–	0.25
Nominal conductor cross section [mm ²]	–	0.14	0.14	–

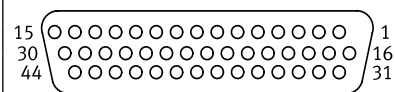
Materials				
Type	NEBV-S1G44	NEBV-S1G44 ... S6	NEBV-S1WA44	NEBV-CS7WA44HS
Housing	PBT	Reinforced PC	PA66-GF30	Reinforced PA
Housing colour	–	Black	Black	Grey
Screws	–	Nickel-plated brass	Steel	Stainless steel
Seals	–	–	NBR	EPDM
Pin contacts	Bronze, gold-plated	Bronze, gold-plated	Bronze, gold-plated	Bronze, gold-plated
Cable sheath	PVC	PVC	PVC	PVC
Cable sheath colour	–	Grey	Grey	Grey
Insulating sheath	–	PVC	PVC	PVC
Note on materials	RoHS-compliant	RoHS-compliant	RoHS-compliant	RoHS-compliant
LABS (PWIS) conformity	VDMA24364-B2-L	VDMA24364-B2-L	VDMA24364-B2-L	VDMA24364-B2-L

Operating and environmental conditions				
Type	NEBV-S1G44	NEBV-S1G44 ... S6	NEBV-S1WA44	NEBV-CS7WA44HS
Ambient temperature [°C]	–5 ... +60	–35 ... +80	–35 ... +80	–5 ... +60
Ambient temperature with flexible cable installation [°C]	–	–5 ... +80	–5 ... +80	–5 ... +60
Storage temperature [°C]	–	–25 ... +75	–35 ... +80	–20 ... +40
Corrosion resistance class CRC ¹⁾	2	0	2	3
CE marking (see declaration of conformity) ²⁾	To EU RoHS Directive	To EU RoHS Directive	To EU RoHS Directive	To EU RoHS Directive
UKCA marking (see declaration of conformity) ²⁾	To UK RoHS regulations	To UK RoHS regulations	To UK RoHS regulations	To UK RoHS regulations
Degree of protection	IP65 IP67 –	IP40 – –	IP65 IP67 –	IP65 IP67 IP69K
Note on degree of protection	In mounted state	In mounted state	In mounted state	In mounted state

1) More information www.festo.com/x/topic/crc2) More information: www.festo.com/catalogue/... → Support/Downloads.

Datasheet

Circuitry (socket view)



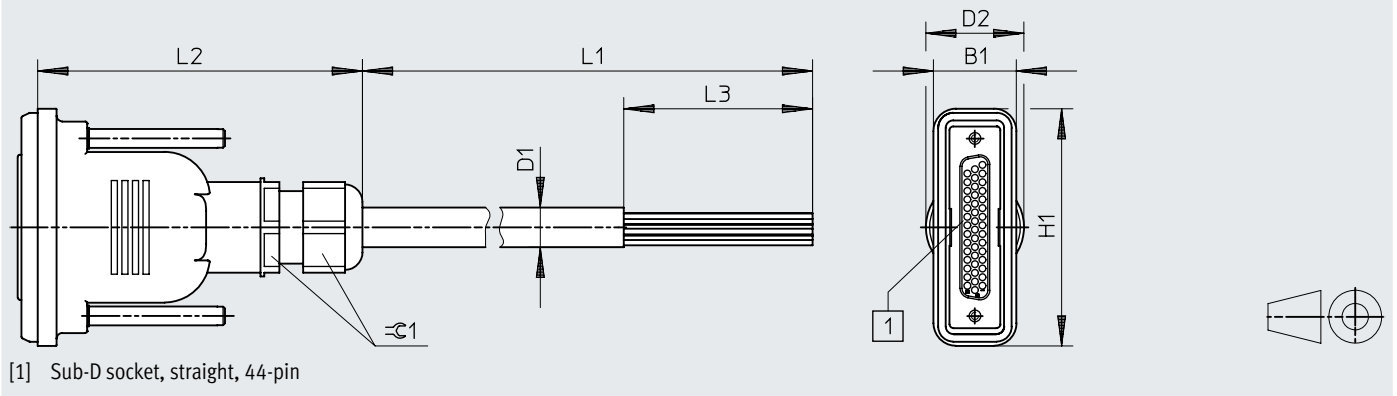
Open end, 36-core		Open end, 39-core		Open end, 44-core	
Pin	Wire colour ¹⁾	Pin	Wire colour ¹⁾	Pin	Wire colour ¹⁾
1	WH	1	WH	1	WH
2	BN	2	BN	2	BN
3	GN	3	GN	3	GN
4	YE	4	YE	4	YE
5	GY	5	GY	5	GY
6	PK	6	PK	6	PK
7	BU	7	BU	7	BU
8	RD	8	RD	8	RD
9	BK	9	BK	9	BK
10	VT	10	VT	10	VT
11	GY PK	11	GY PK	11	GY PK
12	RD BU	12	RD BU	12	RD BU
13	GN WH	13	GN WH	13	GN WH
14	BN GN	14	BN GN	14	BN GN
15	YE WH	15	YE WH	15	YE WH
16	BN YE	16	BN YE	16	BN YE
17	GY WH	17	GY WH	17	GY WH
18	BN GY	18	BN GY	18	BN GY
19	WH PK	19	WH PK	19	WH PK
20	BN PK	20	BN PK	20	BN PK
21	BU WH	21	BU WH	21	BU WH
22	BN BU	22	BN BU	22	BN BU
23	RD WH	23	RD WH	23	RD WH
24	BN RD	24	BN RD	24	BN RD
25	BK WH	25	BK WH	25	BK WH
26	BK BN	26	BK BN	26	BK BN
27	GN GY	27	GN GY	27	GN GY
28	YE GY	28	YE GY	28	YE GY
29	GN PK	29	GN PK	29	GN PK
30	YE PK	30	YE PK	30	YE PK
31	GN BU	31	GN BU	31	GN BU
32	YE BU	32	YE BU	32	YE BU
33	–	33	RD GN	33	RD GN
34	–	34	RD YE	34	RD YE
35	–	35	BK GN	35	BK GN
36	–	36	–	36	BK YE
37	–	37	–	37	BU GY
38	–	38	–	38	BU PK
39	–	39	–	39	RD GY
40	–	40	–	40	RD PK
41	RD GN	41	BK YE	41	BK GY
42	RD YE	42	BU GY	42	BK PK
43	BK GN	43	BU PK	43	BK BU
44	BK YE	44	RD GY	44	BK RD

1) To IEC 757

Datasheet

Dimensions

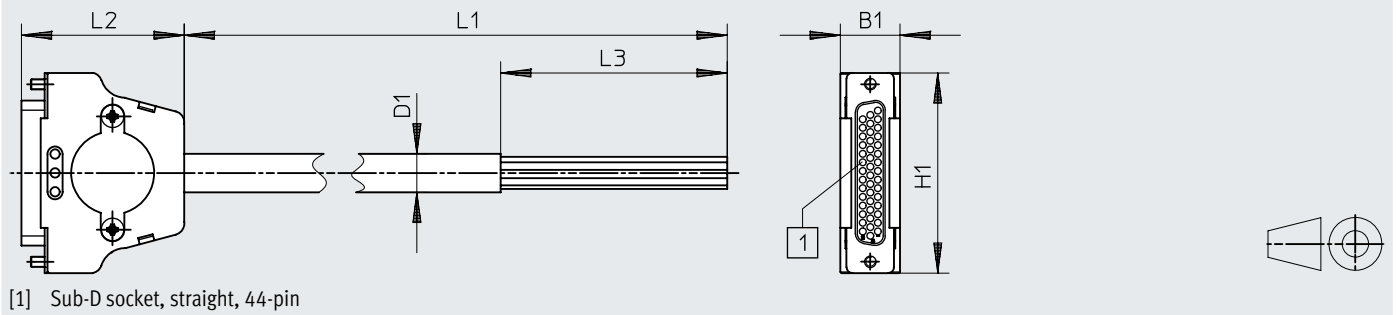
Download CAD data → www.festo.com



Type	B1	D1 ø	D2 ø	H1	L1	L2	L3	≈C1
NEBV1G44-K-2.5-N-LE39	22	9.6	26	62.8	2500	85±5	65±5	24
NEBV1G44-K-5-N-LE39					5000			
NEBV1G44-K-10-N-LE39					10000			

Dimensions

Download CAD data → www.festo.com

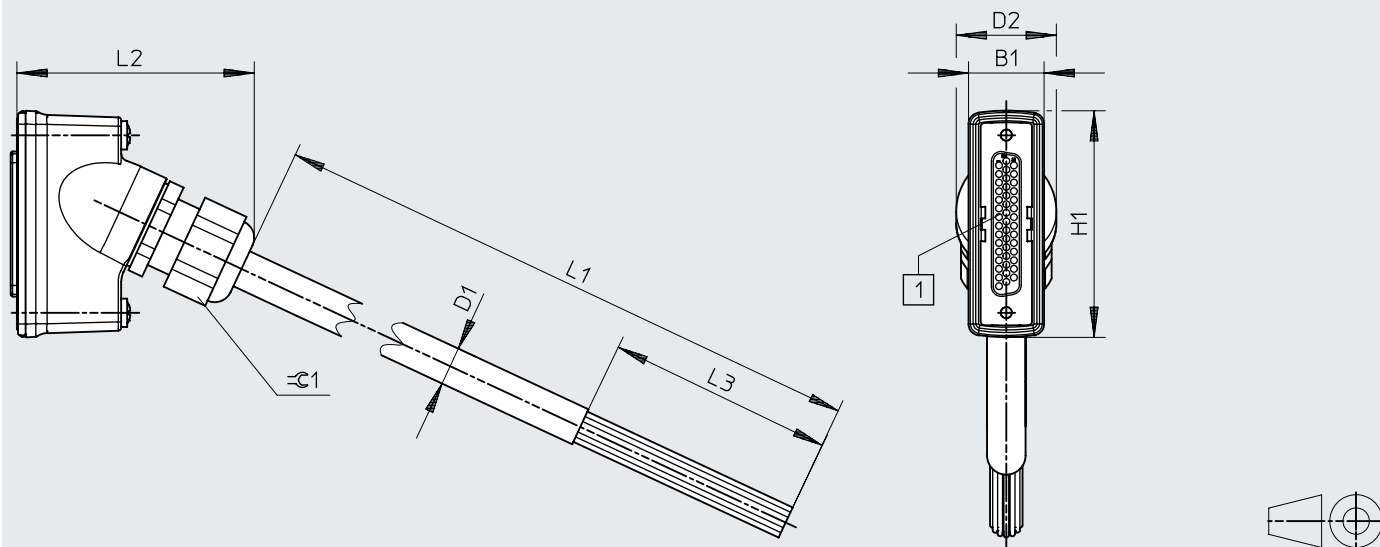


Type	B1	D1 ø	H1	L1	L2	L3
NEBV1G44-K-2.5-N-LE44-S6	15.8	10.2	53	2500	43.1	60
NEBV1G44-K-5-N-LE44-S6				5000		
NEBV1G44-K-10-N-LE44-S6				10000		

Datasheet

Dimensions

Download CAD data → www.festo.com



[1] Sub-D socket, angled, 44-pin

Type	B1	D1 ø	D2 ø	H1	L1	L2	L3	☉1
NEBV-C-S7WA44HS-K-2.5-N-LE36-S10	20	9.6	27	60	2500	60	60	-
NEBV-C-S7WA44HS-K-5-N-LE36-S10					5000			
NEBV-C-S7WA44HS-K-10-N-LE36-S10					10000			
NEBV-S1WA44-K-2.5-N-LE44-S9	20	10.2	26.5	60	2500	60	60	24
NEBV-S1WA44-K-5-N-LE44-S9					5000			
NEBV-S1WA44-K-10-N-LE44-S9					10000			

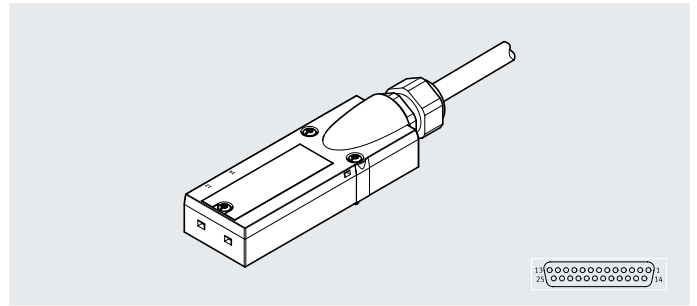
Ordering data

		Cable composition [mm ²]	Degree of protection	Cable length [m]	Weight [g]	Part no.	Type
Straight socket							
	Open end, 39-core	40x 0.14	IP65, IP67	2.5	389	565289	NEBV-S1G44-K-2.5-N-LE39
				5	737	565290	NEBV-S1G44-K-5-N-LE39
				10	1432	565291	NEBV-S1G44-K-10-N-LE39
	Open end, 44-core	44x 0.14	IP40	2.5	455	575113	NEBV-S1G44-K-2.5-N-LE44-S6
				5	830	575114	NEBV-S1G44-K-5-N-LE44-S6
				10	1620	575115	NEBV-S1G44-K-10-N-LE44-S6
Angled socket							
	Open end, 36-core	36x 0.25	IP65, IP67, IP69K	2.5	500	577376	NEBV-C-S7WA44HS-K-2.5-N-LE36-S10
				5	900	577377	NEBV-C-S7WA44HS-K-5-N-LE36-S10
				10	1800	577378	NEBV-C-S7WA44HS-K-10-N-LE36-S10
	Open end, 44-core	44x 0.14	IP65, IP67	2.5	460	575420	NEBV-S1WA44-K-2.5-N-LE44-S9
				5	860	575421	NEBV-S1WA44-K-5-N-LE44-S9
				10	1660	575422	NEBV-S1WA44-K-10-N-LE44-S9

Datasheet

Connecting cable VMPA-KMS

- Connecting cable for multi-pin plug connection of valve terminal MPA-S
- Pre-assembled at one end
- Cable lengths 2.5 m, 5 m or 10 m
- 10 or 25 wires
- Sub-D, 25-pin



General technical data				
Type	VMPA-KMS1-8-...	VMPA-KMS1-24-...	VMPA-KMS2-8-...	VMPA-KMS2-25-...
Based on standard	DIN 41652	DIN 41652	DIN 41652	DIN 41652
Cable designation	Via accessories	Without inscription label holder	Via accessories	Without inscription label holder
Contact durability	50	50	50	50

Technical data – Electrical connection 1				
Function	Field device side	Field device side	Field device side	Field device side
Connection type	Socket	Socket	Socket	Socket
Cable outlet	Angled	Angled	Angled	Angled
Design	Square	Square	Square	Square
Connection technology	Sub-D	Sub-D	Sub-D	Sub-D
Number of pins/cores	25	25	25	25
Assigned pins/wires	9	25	9	25
Type of mounting	3x screw M3	3x screw M3	3x screw M3	3x screw M3
Cable fitting	M20x1.5	M20x1.5	M20x1.5	M20x1.5

Technical data – Electrical connection 2				
Function	Controller side	Controller side	Controller side	Controller side
Connection type	Cable	Cable	Cable	Cable
Connection technology	Open end	Open end	Open end	Open end
Number of pins/cores	10	25	10	25
Assigned pins/wires	9	25	9	25
Wire ends	Cut off bluntly	Cut off bluntly	Cut off bluntly	Cut off bluntly

Technical data – Electrics		
Nominal operating voltage	[V DC]	24
Operating voltage range	[V DC]	0 ... 30
Current rating	[A]	3
Surge resistance	[kV]	1
Pollution degree		3

Technical data – Cable					
Type		VMPA-KMS1-8-...	VMPA-KMS1-24-...	VMPA-KMS2-8-...	VMPA-KMS2-25-...
Cable diameter	[mm]	7.15	11.4	7	10.8
Cable diameter tolerance	[mm]	±0.3	±0.25	–	–
Cable characteristic		Standard	Standard	Suitable for energy chains	Suitable for energy chains
Bending radius, fixed cable installation	[mm]	28.6	44.8	21	29.4
Bending radius, flexible cable installation	[mm]	71.5	112	35	49
Cable test conditions		Test conditions on request	Test conditions on request	Test conditions on request	Test conditions on request
Minimum cable bending radius	[mm]	82.8	171	54	38.5
Cable composition	[mm ²]	10x 0.34	25x 0.34	10x 0.25	25x 0.25
Nominal conductor cross section	[mm ²]	0.34	0.34	0.25	0.25

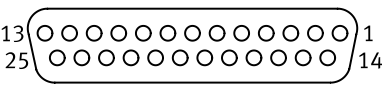
Datasheet

Materials		
Type	VMPA-KMS1-...	VMPA-KMS2-...
Housing	PA	PA
Housing colour	Grey	Grey
Cable sheath	PVC	TPE-U(PUR)
Cable sheath colour	Grey	Grey
Union nut	PA	PA
Seals	CR, NBR	CR, NBR
Pin contacts	Gold-plated copper alloy	Gold-plated copper alloy
Note on materials	RoHS-compliant	RoHS-compliant
LABS (PWIS) conformity	VDMA24364-B2-L	VDMA24364-B2-L

Operating and environmental conditions		
Cable sheath material	PVC	TPE-U(PUR)
Ambient temperature [°C]	-25 ... +80	-25 ... +80
Ambient temperature with flexible cable installation [°C]	-5 ... +70	-25 ... +80
Corrosion resistance class CRC ¹⁾	2 - Moderate corrosion stress	2 - Moderate corrosion stress
CE marking (see declaration of conformity) ²⁾	To EU RoHS Directive	To EU RoHS Directive
UKCA marking (see declaration of conformity) ²⁾	To UK RoHS regulations	To UK RoHS regulations
Degree of protection	IP65 to IEC 60529	IP65 to IEC 60529
Note on degree of protection	In mounted state	In mounted state

1) More information www.festo.com/x/topic/crc

2) More information: www.festo.com/catalogue/... → Support/Downloads.

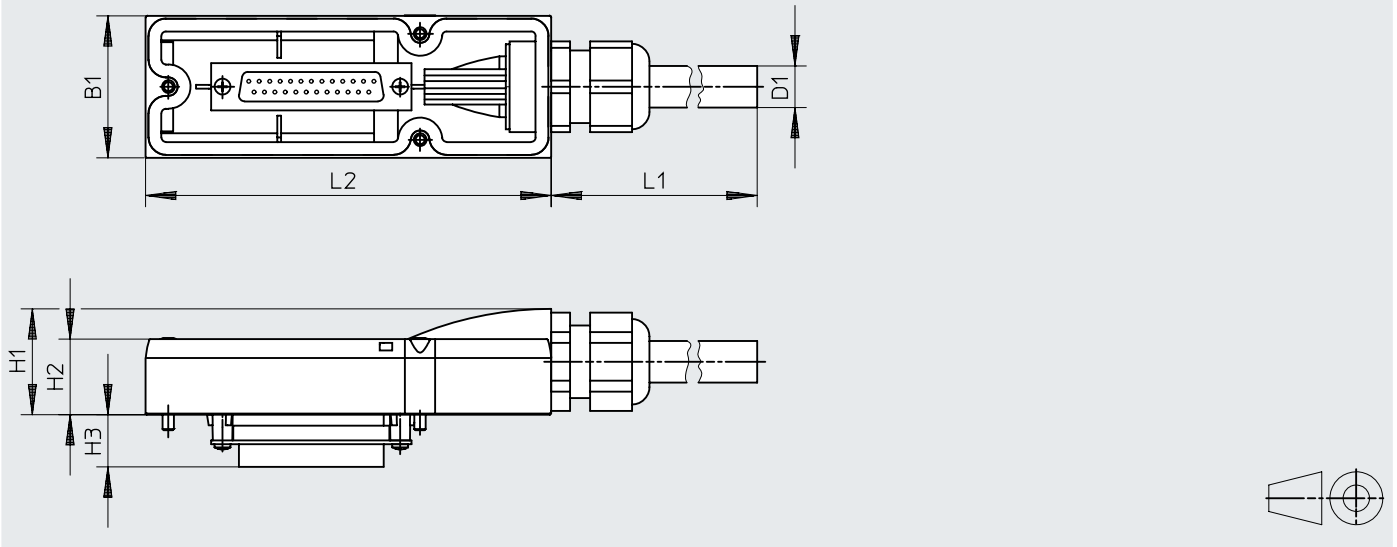
Circuitry (socket view)	Open end, 10-core		Open end, 25-core	
	Pin	Wire colour ¹⁾	Pin	Wire colour ¹⁾
		1	WH	1
2		GN	2	GN
3		YE	3	YE
4		GY	4	GY
5		PK	5	PK
6		BU	6	BU
7		RD	7	RD
8		VT	8	VT
9		-	9	GY PK
10		-	10	RD BU
11		-	11	GN WH
12		-	12	BN GN
13		-	13	YE WH
14		-	14	BN YE
15		-	15	GY WH
16		-	16	BN GY
17		-	17	WH PK
18		-	18	BN PK
19		-	19	BU WH
20		-	20	BN BU
21		-	21	RD WH
22		-	22	BN RD
23		-	23	BK WH
24		-	24	BN
25		BK	25	BK

1) To IEC 757

Datasheet

Dimensions

Download CAD data → www.festo.com



Type	B1	D1 ø	H1	H2	H3	L1	L2
VMPA-KMS2-8-2.5-PUR	37.6	7	28	20	13.8	2500	107.3
VMPA-KMS2-8-5-PUR						5000	
VMPA-KMS2-8-10-PUR						10000	
VMPA-KMS2-24-2.5-PUR		10.8				2500	
VMPA-KMS2-24-5-PUR						5000	
VMPA-KMS2-24-10-PUR						10000	
VMPA-KMS1-8-2.5		7.15				2500	
VMPA-KMS1-8-5						5000	
VMPA-KMS1-8-10						10000	
VMPA-KMS1-24-2.5		11.4				2500	
VMPA-KMS1-24-5						5000	
VMPA-KMS1-24-10						10000	

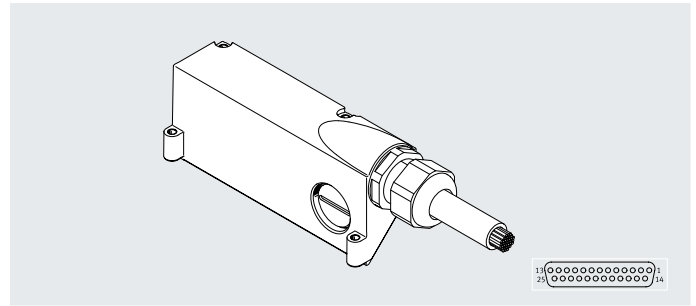
Ordering data

Electrical connection 1	Cable sheath material	Electrical connection 2 Number of pins/cores	Cable length [m]	Weight [g]	Part no.	Type
Angled socket, Sub-D	TPE-U(PUR)	10	2.5	237	533504	VMPA-KMS2-8-2.5-PUR
			5	460	533505	VMPA-KMS2-8-5-PUR
			10	906	533506	VMPA-KMS2-8-10-PUR
		25	2.5	411	533501	VMPA-KMS2-24-2.5-PUR
			5	910	533502	VMPA-KMS2-24-5-PUR
			10	1908	533503	VMPA-KMS2-24-10-PUR
	PVC	10	2.5	287	533195	VMPA-KMS1-8-2.5
			5	510	533196	VMPA-KMS1-8-5
			10	956	533197	VMPA-KMS1-8-10
		25	2.5	563	533192	VMPA-KMS1-24-2.5
			5	1062	533193	VMPA-KMS1-24-5
			10	2055	533194	VMPA-KMS1-24-10

Datasheet

Connecting cable VMPAL-KM

- Connecting cable for multi-pin plug connection of valve terminal MPA-L
- Pre-assembled at one end
- Cable outlet angled to the side or front
- Cable lengths 2.5 m, 5 m, 10 m or any length from 0.5 ... 30 m
- 25 wires
- Sub-D, 25-pin



Technical data – Electrical connection 1

Electrical connection	Cable with plug
-----------------------	-----------------

Technical data – Cable

Type	VMPAL-KM-...SD25-...	VMPAL-KM-...SD25-IP67-	VMPAL-KMSK-...SD25-...	VMPAL-KMSK-VSD25-IP67-
Cable diameter [mm]	10.2	11.2	12.5	12.5
Cable characteristic	Standard	Standard	Suitable for energy chains	Standard
Minimum cable bending radius [mm]	122	84	63	63
Cable composition [mm ²]	25x 0.34	25x 0.34	25x 0.34	25x 0.34

Materials

Type	VMPAL-KM-...	VMPAL-KMSK-...
Cable sheath	PVC	TPE-U(PUR)
Note on materials	RoHS-compliant	
LABS (PWIS) conformity	VDMA24364-B1/B2-L	

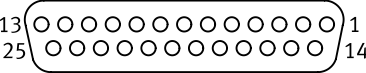
Operating and environmental conditions

Ambient temperature with flexible cable installation [°C]	-5 ... +80
Corrosion resistance class CRC ¹⁾	2
CE marking (see declaration of conformity) ²⁾	To EU RoHS Directive
UKCA marking (see declaration of conformity) ²⁾	To UK RoHS regulations
Degree of protection	IP67 To IEC 60529

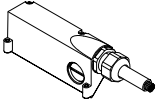
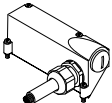
1) More information www.festo.com/x/topic/crc

2) More information: www.festo.com/catalogue/NEBV → Support/Downloads.

Datasheet

Circuitry (socket view)		Pin	Wire colour ¹⁾	Pin	Wire colour ¹⁾
	1	WH	14	BN YE	
	2	GN	15	GY WH	
	3	YE	16	BN GY	
	4	GY	17	WH PK	
	5	PK	18	BN PK	
	6	BU	19	BU WH	
	7	RD	20	BN BU	
	8	VT	21	RD WH	
	9	GY PK	22	BN RD	
	10	RD BU	23	BK WH	
	11	GN WH	24	BN	
	12	BN GN	25	BK	
	13	YE WH			

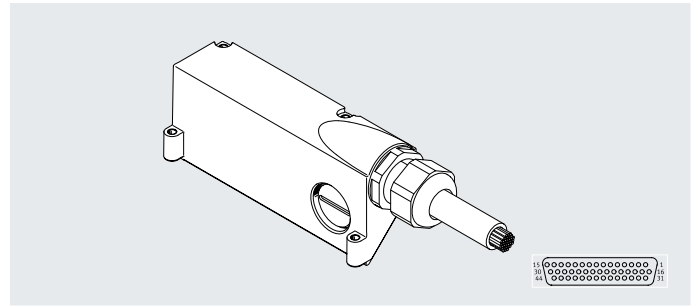
1) To IEC 757

Ordering data		Electrical connection 1	Cable sheath material	Cable length [m]	Weight [g]	Part no.	Type
	Angled socket, Sub-D	Cable outlet to front	TPE-U(PUR)	2.5	605	560410	VMPAL-KMSK-V-SD25-IP67-2.5
				5	1120	560411	VMPAL-KMSK-V-SD25-IP67-5
				10	2150	560412	VMPAL-KMSK-V-SD25-IP67-10
				0.5 ... 30	–	562391	VMPAL-KMSK-V-SD25-IP67-
			PVC	2.5	640	560416	VMPAL-KM-V-SD25-IP67-2.5
				5	1190	560417	VMPAL-KM-V-SD25-IP67-5
				10	2290	560418	VMPAL-KM-V-SD25-IP67-10
	Angled socket, Sub-D	Cable outlet to side	TPE-U(PUR)	2.5	610	560413	VMPAL-KMSK-S-SD25-IP67-2.5
				5	1125	560414	VMPAL-KMSK-S-SD25-IP67-5
				10	2155	560415	VMPAL-KMSK-S-SD25-IP67-10
				0.5 ... 30	–	562394	VMPAL-KMSK-S-SD25-IP67-
			PVC	2.5	645	560419	VMPAL-KM-S-SD25-IP67-2.5
				5	1195	560420	VMPAL-KM-S-SD25-IP67-5
				10	2295	560421	VMPAL-KM-S-SD25-IP67-10
				0.5 ... 30	–	562392	VMPAL-KM-S-SD25-IP67-

Datasheet

Connecting cable VMPAL-KM

- Connecting cable for multi-pin plug connection of valve terminal MPA-L
- Pre-assembled at one end
- Cable outlet angled to the side or front
- Cable lengths 2.5 m, 5 m, 10 m or any length from 0.5 ... 30 m
- 36 wires
- Sub-D, 44-pin



Technical data – Electrical connection 1

Electrical connection	Cable with plug
-----------------------	-----------------

Technical data – Cable

Cable diameter	[mm]	9.6
Cable characteristic		Standard
Minimum cable bending radius	[mm]	115
Cable composition	[mm ²]	36x 0.25

Materials

Cable sheath	PVC
Note on materials	RoHS-compliant
LABS (PWIS) conformity	VDMA24364-B1/B2-L

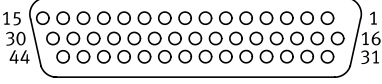
Operating and environmental conditions

Ambient temperature with flexible cable installation	[°C]	-5 ... +80
Corrosion resistance class CRC ¹⁾		2
CE marking (see declaration of conformity) ²⁾		To EU RoHS Directive
UKCA marking (see declaration of conformity) ²⁾		To UK RoHS regulations
Degree of protection		IP67
		To IEC 60529

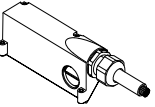
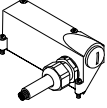
1) More information www.festo.com/x/topic/crc

2) More information: www.festo.com/catalogue/NEBV → Support/Downloads.

Datasheet

Circuitry (socket view)		Pin	Wire colour ¹⁾	Pin	Wire colour ¹⁾	Pin	Wire colour ¹⁾
		1	WH	18	BN PK	35	n.c.
		2	GN	19	BU WH	36	n.c.
		3	YE	20	BN BU	37	n.c.
		4	GY	21	RD WH	38	n.c.
		5	PK	22	BN RD	39	n.c.
		6	BU	23	BK WH	40	n.c.
		7	RD	24	BN	41	RD YE
		8	VT	25	BK BN	42	BK GN
		9	GY PK	26	GN GY	43	BK YE
		10	RD BU	27	YE GY	44	BK
		11	GN WH	28	GN PK		
		12	BN GN	29	YE PK		
		13	YE WH	30	GN BU		
		14	BN YE	31	YE BU		
		15	GY WH	32	RD GN		
		16	BN GY	33	n.c.		
		17	WH PK	34	n.c.		

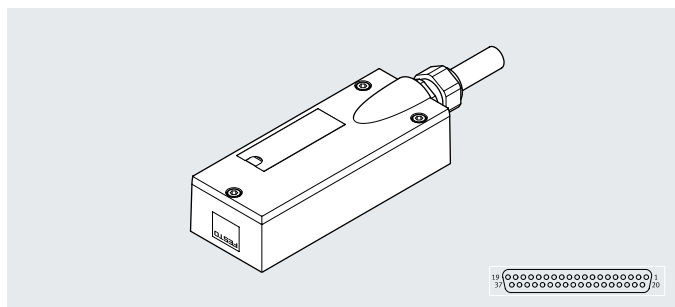
1) To IEC 757

Ordering data		Electrical connection 1	Cable length [m]	Weight [g]	Part no.	Type
	Angled socket, Sub-D	Cable outlet to front	2.5	462	560422	VMPAL-KM-V-SD44-IP67-2.5
			5	832	560423	VMPAL-KM-V-SD44-IP67-5
			10	1572	560424	VMPAL-KM-V-SD44-IP67-10
			0.5 ... 30	–	562390	VMPAL-KM-V-SD44-IP67-
	Angled socket, Sub-D	Cable outlet to side	2.5	467	560425	VMPAL-KM-S-SD44-IP67-2.5
			5	837	560426	VMPAL-KM-S-SD44-IP67-5
			10	1577	560427	VMPAL-KM-S-SD44-IP67-10
			0.5 ... 30	–	562393	VMPAL-KM-S-SD44-IP67-

Datasheet

Connecting cable NEBV-S1W37

- Connecting cable for multi-pin plug connection of valve terminal VTSA/VTSA-F
- Pre-assembled at one end
- Cable lengths 2.5 m, 5 m or 10 m
- 10, 26, 27 or 37 wires
- Sub-D, 37-pin



General technical data				
Type	NEBV-...-LE10	NEBV-...-LE26	NEBV-...-LE27	NEBV-...-LE37
Conforms to standard	DIN 47100			
Cable designation	With inscription label holder			
Area of application	Only for multi-pin plug connection for valve terminal VTSA/VTSA-F			
Technical data – Electrical connection 1				
Function	Field device side			
Connection type	Socket			
Cable outlet	Angled			
Design	Square			
Connection technology	Sub-D			
Number of pins/cores	37			
Assigned pins/wires	10	26	27	37
Type of mounting	3x screw M4			
Technical data – Electrical connection 2				
Function	Controller side			
Connection type	Cable			
Connection technology	Open end			
Number of pins/cores	10	26	27	37
Assigned pins/wires	10	26	27	37
Technical data – Electrics				
Type	NEBV-CS7WA44HS			
Operating voltage range	[V DC]	0 ... 30		
Current rating at 40°C	[A]	2		
Surge resistance	[kV]	1		

Datasheet

Technical data – Cable						
Type	NEBV-...-LE10	NEBV-...-KM-...-LE10	NEBV-...-LE26	NEBV-...-LE27	NEBV-...-LE37	NEBV-...-KM-...-LE37
Cable diameter [mm]	7.4	7.2	10.4	10.9	12.8	12.4
Cable characteristic	Suitable for energy chains	Standard	Suitable for energy chains	Standard	Standard	Standard
Cable test conditions	Test conditions on request					
Bending radius, fixed cable installation [mm]	≥30	≥29	≥42	≥44	≥51	≥50
Bending radius, flexible cable installation [mm]	≥74	≥54	≥104	≥82	≥128	≥93
Cable composition [mm ²]	10x 0.34	10x 0.34	26x 0.34	27x 0.34	37x 0.34	37x 0.34
Nominal conductor cross section [mm ²]	0.34					

Materials			
Type	NEBV-...-E-...	NEBV-...-K-...	NEBV-...-KM-...
Housing	PA	PA	PA
Cable sheath	PVC	PVC	TPE-U(PUR)
Cable sheath colour	Grey	Grey	Grey
Insulating sheath	PVC	PVC	PVC
Note on materials	RoHS-compliant	RoHS-compliant	RoHS-compliant
LABS (PWIS) conformity	VDMA24364-B2-L	VDMA24364-B2-L	VDMA24364-B2-L

Operating and environmental conditions	
Ambient temperature [°C]	-5 ... +50
Corrosion resistance class CRC ¹⁾	2
CE marking (see declaration of conformity) ²⁾	To EU RoHS Directive
UKCA marking (see declaration of conformity) ²⁾	To UK RoHS regulations
Degree of protection	IP65 NEMA 4
Note on degree of protection	In mounted state

1) More information www.festo.com/x/topic/crc2) More information: www.festo.com/catalogue/NEBV → Support/Downloads.

Datasheet

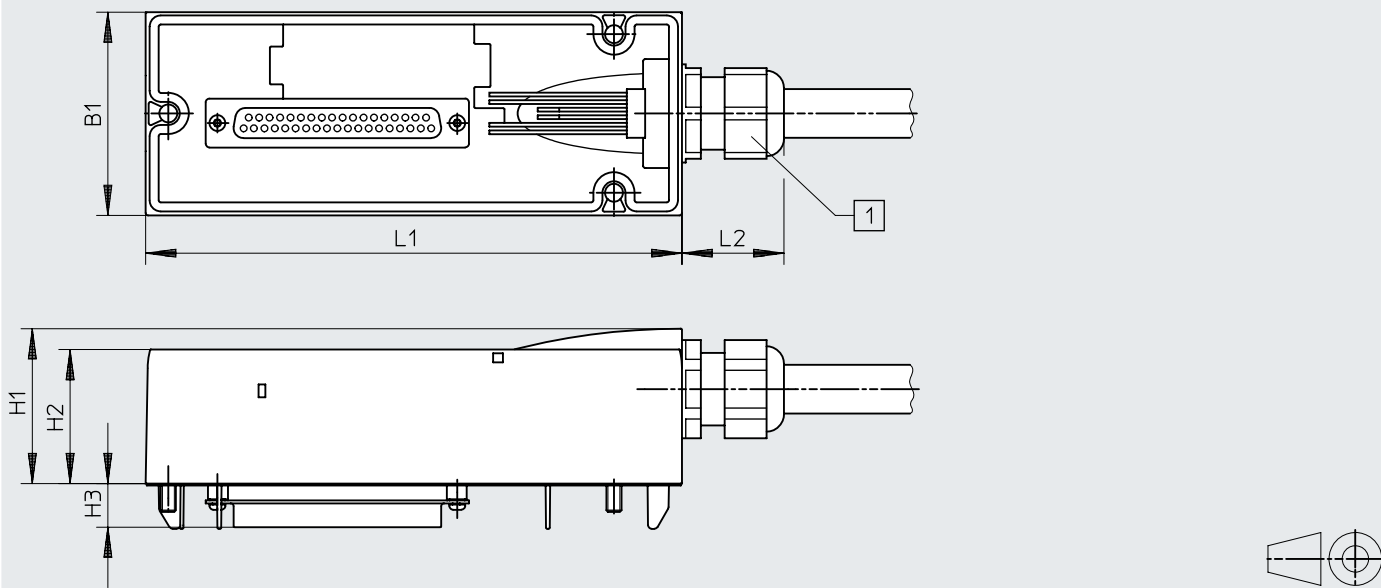
Circuitry (socket view)		Open end, 10-core		Open end, 26-core		Open end, 27-core		Open end, 37-core	
		Pin	Wire colour ¹⁾	Pin	Wire colour ¹⁾	Pin	Wire colour ¹⁾	Pin	Wire colour ¹⁾
	1	WH	1	WH	1	WH	1	WH	
	2	BN	2	BN	2	BN	2	BN	
	3	GN	3	GN	3	GN	3	GN	
	4	YE	4	YE	4	YE	4	YE	
	5	GY	5	GY	5	GY	5	GY	
	6	PK	6	PK	6	PK	6	PK	
	7	BU	7	BU	7	BU	7	BU	
	8	RD	8	RD	8	RD	8	RD	
	9	–	9	GY PK	9	GY PK	9	GY PK	
	10	–	10	RD BU	10	RD BU	10	RD BU	
	11	–	11	WH GN	11	WH GN	11	WH GN	
	12	–	12	BN GN	12	BN GN	12	BN GN	
	13	–	13	WH YE	13	WH YE	13	WH YE	
	14	–	14	YE BN	14	YE BN	14	YE BN	
	15	–	15	WH GY	15	WH GY	15	WH GY	
	16	–	16	GY BN	16	GY BN	16	GY BN	
	17	–	17	WH PK	17	WH PK	17	WH PK	
	18	–	18	PK BN	18	PK BN	18	PK BN	
	19	–	19	WH BU	19	WH BU	19	WH BU	
	20	–	20	BN BU	20	BN BU	20	BN BU	
	21	–	21	WH RD	21	WH RD	21	WH RD	
	22	–	22	BN RD	22	BN RD	22	BN RD	
	23	–	23	–	23	GY GN	23	GY GN	
	24	–	24	–	24	–	24	YE GY	
	25	–	25	–	25	–	25	PK GN	
	26	–	26	–	26	–	26	YE PK	
	27	–	27	–	27	–	27	GN BU	
	28	–	28	–	28	–	28	YE BU	
	29	–	29	–	29	–	29	GN RD	
	30	–	30	–	30	–	30	YE RD	
	31	–	31	–	31	–	31	GN BK	
	32	–	32	–	32	–	32	GY BU	
	33	–	33	–	33	–	33	YE BK	
	34	–	34	WH BK	34	WH BK	34	WH BK	
	35	–	35	BN BK	35	BN BK	35	BN BK	
	36	BK	36	BK	36	BK	36	BK	
	37	VT	37	VT	37	VT	37	VT	

1) To IEC 757

Datasheet

Dimensions

Download CAD data → www.festo.com



[1] Cable fitting M20x1.5

Type	B1	H1	H2	H3	L1	L2
NEBV-S1W37	54	41	36	11.6	142	27

Ordering data

Electrical connection 1	Cable sheath material	Electrical connection 2 Number of pins/cores	Cable length [m]	Weight [g]	Part no.	Type
Angled socket, Sub-D	TPE-U(PUR)	10	2.5	392	539240	NEBV-S1W37-E-2.5-LE10
			5	563.2	539241	NEBV-S1W37-E-5-LE10
			10	947	539242	NEBV-S1W37-E-10-LE10
		26	2.5	617	539243	NEBV-S1W37-E-2.5-LE26
			5	1006	539244	NEBV-S1W37-E-5-LE26
			10	1859	539245	NEBV-S1W37-E-10-LE26
		37	2.5	837.7	539246	NEBV-S1W37-K-2.5-LE37
			5	1410	539247	NEBV-S1W37-K-5-LE37
			10	2686	539248	NEBV-S1W37-K-10-LE37
	PVC	10	2.5	364	543271	NEBV-S1W37-KM-2.5-LE10
			5	557	543272	NEBV-S1W37-KM-5-LE10
			10	907	543273	NEBV-S1W37-KM-10-LE10
		27	2.5	663.8	543274	NEBV-S1W37-KM-2.5-LE27
			5	1124	543275	NEBV-S1W37-KM-5-LE27
			10	2000	543276	NEBV-S1W37-KM-10-LE27
		37	2.5	831	543277	NEBV-S1W37-KM-2.5-LE37
			5	1393	543278	NEBV-S1W37-KM-5-LE37
			10	2702	543279	NEBV-S1W37-KM-10-LE37

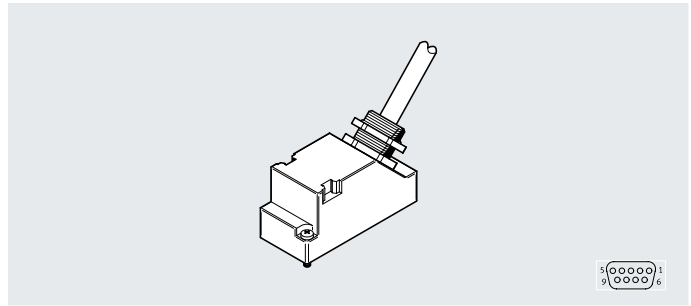
Datasheet

Connecting cable

KMP3

KMP4

- Connecting cable for multi-pin plug connection for valve terminal CPV
- Pre-assembled at one end
- Angled socket
- Cable lengths 5 m, 10 m or 1 ... 99 m
- 10 wires
- Sub-D, 9-pin



General technical data

Based on standard	DIN 41652
Cable designation	Via accessories
Contact durability	50

Technical data – Electrical connection 1

Function	Field device side
Connection type	Socket
Cable outlet	Angled
Design	Square
Connection technology	Sub-D
Number of pins/cores	9
Assigned pins/cores	9
Type of mounting	2x screw M3

Technical data – Electrical connection 2

Function	Controller side
Connection type	Cable
Connection technology	Open end
Number of pins/cores	10
Assigned pins/cores	9
Wire ends	Cut off bluntly

Technical data – Electrics

Nominal operating voltage	[V DC]	24
Operating voltage range	[V DC]	0 ... 30
Current rating at 40°C	[A]	3
Surge resistance	[kV]	1
Pollution degree		3

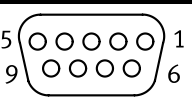
Datasheet

Technical data – Cable				
Type		KMP3	KMP4-...-PVC	KMP4-...-PUR
Cable diameter	[mm]	7.15	7.4	7
Cable diameter tolerance	[mm]	±0.3	±0.4	±0.4
Cable characteristic		Standard	Suitable for energy chains	Suitable for energy chains
Cable test conditions		Test conditions on request	Test conditions on request	Test conditions on request
Bending radius, fixed cable installation	[mm]	≥30	≥24	≥23
Bending radius, flexible cable installation	[mm]	≥75	≥39	≥37
Cable composition	[mm ²]	10x0.34	10x0.25	10x0.25
Nominal conductor cross section	[mm ²]	0.34	0.25	0.25

Materials				
Type		KMP3	KMP4-...-PVC	KMP4-...-PUR
Housing		PA	PA	PA
Housing colour		–	Black	Black
Seals		NBR	NBR	NBR
Pin contacts		Gold-plated copper alloy	Gold-plated copper alloy	Gold-plated copper alloy
Cable sheath		PVC	PVC	TPE-U(PUR)
Cable sheath colour		Grey	Grey	Grey
Note on materials		RoHS-compliant	RoHS-compliant	RoHS-compliant
LABS (PWIS) conformity		VDMA24364-B2-L	VDMA24364-B2-L	VDMA24364-B2-L

Operating and environmental conditions				
Type		KMP3	KMP4-...-PVC	KMP4-...-PUR
Ambient temperature	[°C]	–25 ... +70	–40 ... +70	–40 ... +70
Ambient temperature with flexible cable installation	[°C]	–5 ... +70	–5 ... +70	–40 ... +70
Storage temperature	[°C]	–25 ... +75	–25 ... +75	–25 ... +75
Degree of protection		IP65	IP65	IP65
Note on degree of protection		In mounted state	In mounted state	In mounted state
CE marking (see declaration of conformity) ¹⁾		To EU RoHS Directive		
UKCA marking (see declaration of conformity) ¹⁾		To UK RoHS regulations		

1) More information: www.festo.com/catalogue/NEBV → Support/Downloads.

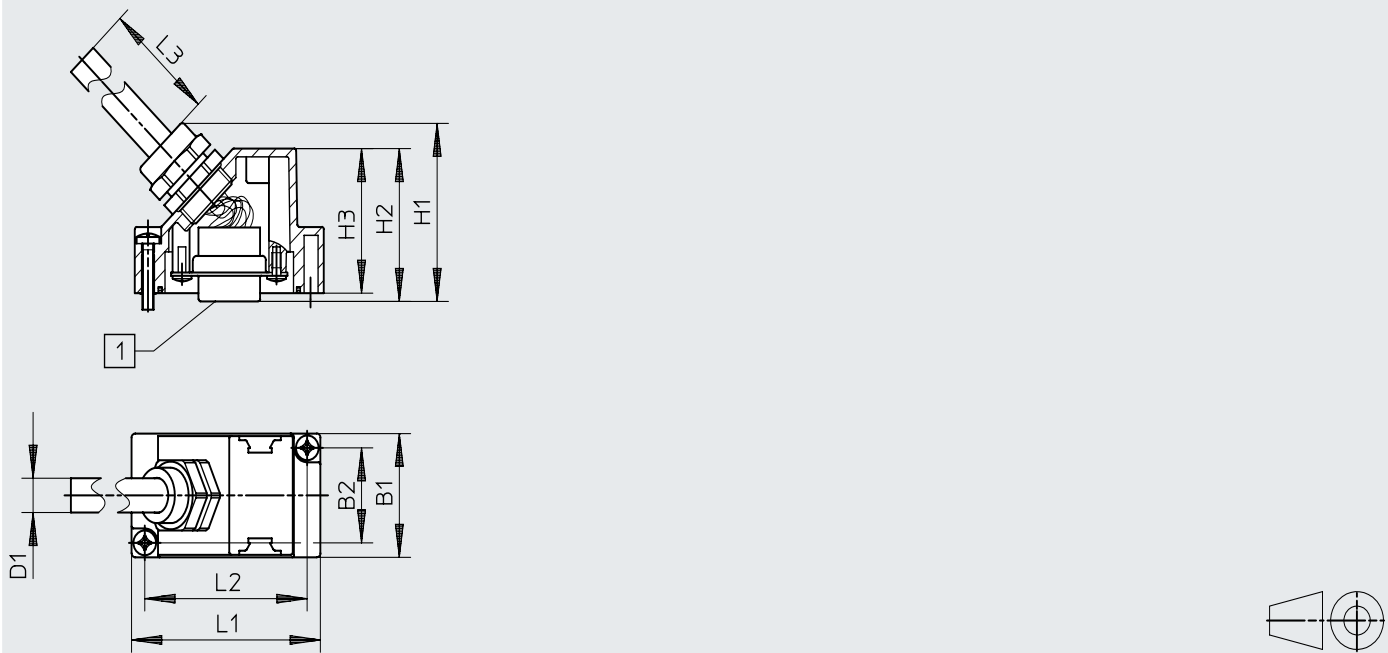
Circuitry (socket view)		
	Pin	Wire colour ¹⁾
	1	WH
	2	GN
	3	YE
	4	GY
	5	PK
	6	BU
	7	RD
	8	VT
	9	BK
	–	BN

1) To IEC 757

Datasheet

Dimensions

Download CAD data → www.festo.com



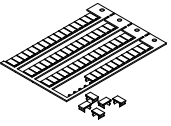
[1] Sub-D socket, 9-pin

Type	B1	B2	D1	H1	H2	H3	L1	L2	L3
KMP3-9P-08-5	30	23	7.15	43	37	35	50	43	5000
KMP3-9P-08-10									10000
KMP3-9P-08-X			1000 ... 99000						
KMP4-9P-5-PVC	30	23	7.4	43	37	35	50	43	5000
KMP4-9P-10-PVC			10000						
KMP4-9P-5-PUR			5000						
KMP4-9P-10-PUR			10000						

Ordering data

Electrical connection	Cable composition	Cable sheath material	Cable length [m]	Weight [g]	Part no.	Type
Sub-D socket, 9-pin	10x0.34 mm ²	PVC	5	425	18698	KMP3-9P-08-5
			10	814	18579	KMP3-9P-08-10
			1 ... 99	–	18697	KMP3-9P-08-X
	10x0.25 mm ²	PVC	5	413	193012	KMP4-9P-5-PVC
			10	791	193013	KMP4-9P-10-PVC
		TPE-U(PUR)	5	378	193014	KMP4-9P-5-PUR
		10	723	193015	KMP4-9P-10-PUR	

Ordering data – Accessories

			Part no.	Type
	Inscription labels in frames, pack of 64	6x10 mm	18576	IBS-6x10

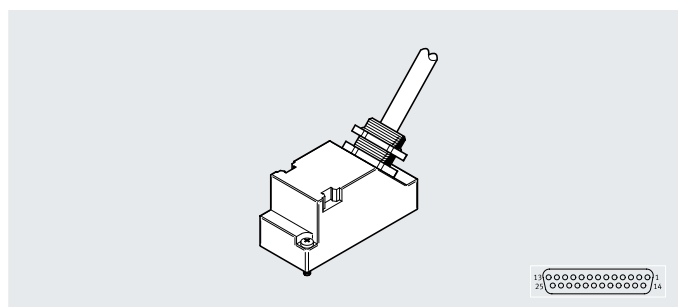
Datasheet

Connecting cable

KMP3

KMP4

- Connecting cable for multi-pin plug connection for valve terminal CPV
- Pre-assembled at one end
- Angled socket
- Cable lengths 2.5 m, 5 m or 1 ... 99 m
- 18 and 25 wires
- Sub-D, 25-pin



General technical data			
Type	KMP3	KMP4-...-PVC	KMP4-...-PUR
Based on standard	DIN 41652		
Cable designation	Via accessories		
Contact durability	50		
Technical data – Electrical connection 1			
Function	Field device side	Field device side	Field device side
Connection type	Socket	Socket	Socket
Cable outlet	Angled	Angled	Angled
Design	Square	Square	Square
Connection technology	Sub-D	Sub-D	Sub-D
Number of pins/cores	25	25	25
Assigned pins/cores	18	25	25
Type of mounting	2x screw M3	2x screw M3	2x screw M3
Technical data – Electrical connection 2			
Function	Controller side	Controller side	Controller side
Connection type	Cable	Cable	Cable
Connection technology	Open end	Open end	Open end
Number of pins/cores	18	25	25
Assigned pins/cores	18	25	25
Wire ends	Cut off bluntly	Cut off bluntly	Cut off bluntly
Technical data – Electrics			
Nominal operating voltage	[V DC]	24	
Operating voltage range	[V DC]	0 ... 30	
Current rating at 40°C	[A]	3	
Surge resistance	[kV]	1	
Pollution degree		3	

Datasheet

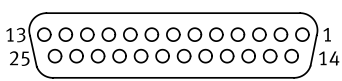
Technical data – Cable				
Type		KMP3	KMP4-...-PVC	KMP4-...-PUR
Cable diameter	[mm]	8.5	10.4	9.8
Cable diameter tolerance	[mm]	±0.5	±0.5	±0.4
Cable characteristic		Standard	Suitable for energy chains	Suitable for energy chains
Cable test conditions		Test conditions on request	Test conditions on request	Test conditions on request
Bending radius, fixed cable installation	[mm]	≥45	≥33	≥31
Bending radius, flexible cable installation	[mm]	≥90	≥55	≥51
Cable composition	[mm ²]	18x0.34	25x0.25	25x0.25
Nominal conductor cross section	[mm ²]	0.34	0.25	0.25

Materials				
Type		KMP3	KMP4-...-PVC	KMP4-...-PUR
Housing		PA	PA	PA
Housing colour		–	Black	Black
Seals		NBR	NBR	NBR
Pin contacts		Gold-plated copper alloy	Gold-plated copper alloy	Gold-plated copper alloy
Cable sheath		PVC	PVC	TPE-U(PUR)
Cable sheath colour		Grey	Grey	Grey
Note on materials		RoHS-compliant	RoHS-compliant	RoHS-compliant
LABS (PWIS) conformity		VDMA24364-B2-L	VDMA24364-B2-L	VDMA24364-B2-L

Operating and environmental conditions				
Type		KMP3	KMP4-...-PVC	KMP4-...-PUR
Ambient temperature	[°C]	–25 ... +70	–40 ... +70	–40 ... +70
Ambient temperature with flexible cable installation	[°C]	–5 ... +70	–5 ... +70	–40 ... +70
Storage temperature	[°C]	–25 ... +75	–25 ... +75	–25 ... +75
CE marking (see declaration of conformity) ¹⁾		To EU RoHS Directive	To EU RoHS Directive	To EU RoHS Directive
UKCA marking (see declaration of conformity) ¹⁾		To UK RoHS regulations	To UK RoHS regulations	To UK RoHS regulations
Degree of protection		IP65	IP65	IP65
Note on degree of protection		In mounted state	In mounted state	In mounted state

1) More information: www.festo.com/catalogue/... → Support/Downloads.

Datasheet

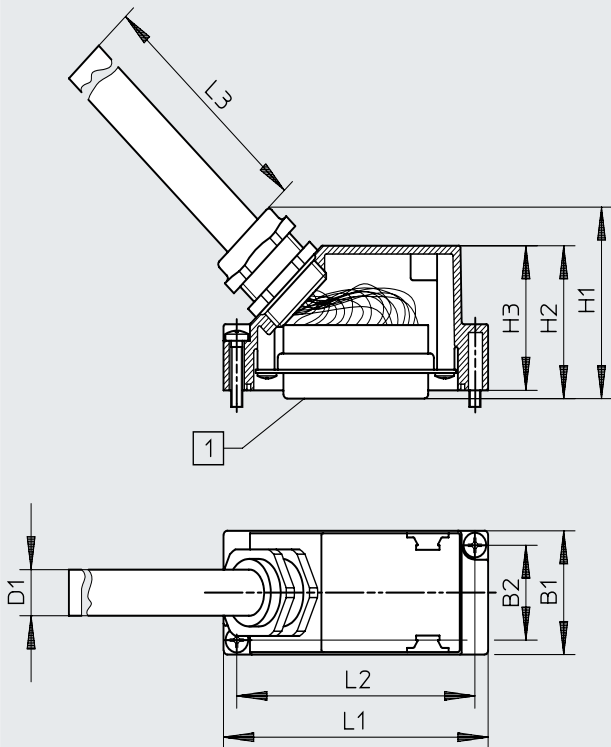
Circuitry (socket view)		Pin	Wire colour ¹⁾	
			KMP3	KMP4
	1	WH	WH	
	2	GN	GN	
	3	YE	YE	
	4	GY	GY	
	5	PK	PK	
	6	BU	BU	
	7	RD	RD	
	8	VT	VT	
	9	GY PK	GY PK	
	10	RD BU	RD BU	
	11	GN WH	GN WH	
	12	BN GN	BN GN	
	13	YE WH	YE WH	
	14	BN YE	BN YE	
	15	GY WH	GY WH	
	16	BN GY	BN GY	
	17	–	WH PK	
	18	–	BN PK	
	19	–	BU WH	
	20	–	BN BU	
	21	–	RD WH	
	22	–	BN RD	
	23	–	BK WH	
	24	BN	BN	
	25	BK	BK	

1) To IEC 757

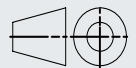
Datasheet

Dimensions

Download CAD data → www.festo.com



[1] Sub-D socket, 25-pin

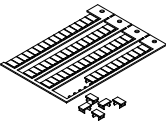


Type	B1	B2	D1	H1	H2	H3	L1	L2	L3
KMP3-25P-16-5	30	23	8.5	47	37	35	70	63	5000
KMP3-25P-16-10									10000
KMP3-25P-16-X			1000 ... 99000						
KMP4-25P-5-PVC			10.4						5000
KMP4-25P-10-PVC									10000
KMP4-25P-5-PUR			9.8						5000
KMP4-25P-10-PUR									10000

Ordering data

Electrical connection	Cable composition	Cable sheath material	Cable length [m]	Weight [g]	Part no.	Type
Sub-D socket, 25-pin	18x0.34 mm ²	PVC	5	672	18624	KMP3-25P-16-5
			10	1303	18625	KMP3-25P-16-10
			1 ... 99	–	18699	KMP3-25P-16-X
	25x0.25 mm ²	PVC	5	854	193016	KMP4-25P-5-PVC
			10	1657	193017	KMP4-25P-10-PVC
		TPE-U(PUR)	5	702	193018	KMP4-25P-5-PUR
		10	1617	193019	KMP4-25P-10-PUR	

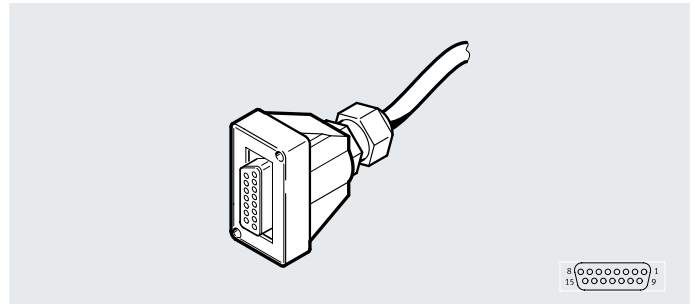
Ordering data – Accessories

			Part no.	Type
	Inscription labels in frames, pack of 64	6x10 mm	18576	IBS-6x10

Datasheet

Connecting cable KMPV-SUB

- Connecting cable for multi-pin plug distributor MPV-E/A/...-M8
- Pre-assembled at one end
- Straight socket
- Cable lengths 5 m or 10 m
- 15 wires
- Sub-D, 15-pin



General technical data		
Based on standard	DIN 41652	
Cable designation	Via accessories	
Contact durability	50	
Technical data – Electrical connection 1		
Function	Field device side	
Connection type	Socket	
Cable outlet to side	Straight	
Design	Square	
Connection technology	Sub-D	
Number of pins/wires	15	
Assigned pins/wires	15	
Type of mounting	2x screw M3	
Technical data – Electrical connection 2		
Function	Controller side	
Connection type	Cable	
Connection technology	Open end	
Number of pins/wires	15	
Assigned pins/wires	15	
Wire ends	Cut off bluntly	
Technical data – Electrics		
Nominal operating voltage	[V DC]	24
Operating voltage range	[V DC]	0 ... 30
Surge resistance	[kV]	1
Pollution degree		3
Technical data – Cable		
Cable diameter	[mm]	8.2
Cable diameter tolerance	[mm]	±0.2
Cable characteristic		Standard
Cable test conditions		Test conditions on request
Bending radius, fixed cable installation	[mm]	≥82
Cable composition	[mm ²]	15 x 0.25
Nominal conductor cross section	[mm ²]	0.25
Materials		
Housing	PA	
Housing colour	Black	
Seals	CR	
Pin contacts	Gold-plated copper alloy	
Cable sheath	TPE-U(PUR)	
Cable sheath colour	Grey	
Note on materials	RoHS-compliant	
LABS (PWIS) conformity	VDMA24364-B2-L	

Datasheet

Operating and environmental conditions

Ambient temperature [°C]	-20 ... +80
CE marking (see declaration of conformity) ¹⁾	To EU RoHS Directive
UKCA marking (see declaration of conformity) ¹⁾	To UK RoHS regulations
Degree of protection	IP65
Note on degree of protection	In mounted state

1) More information: www.festo.com/catalogue/... → Support/Downloads.

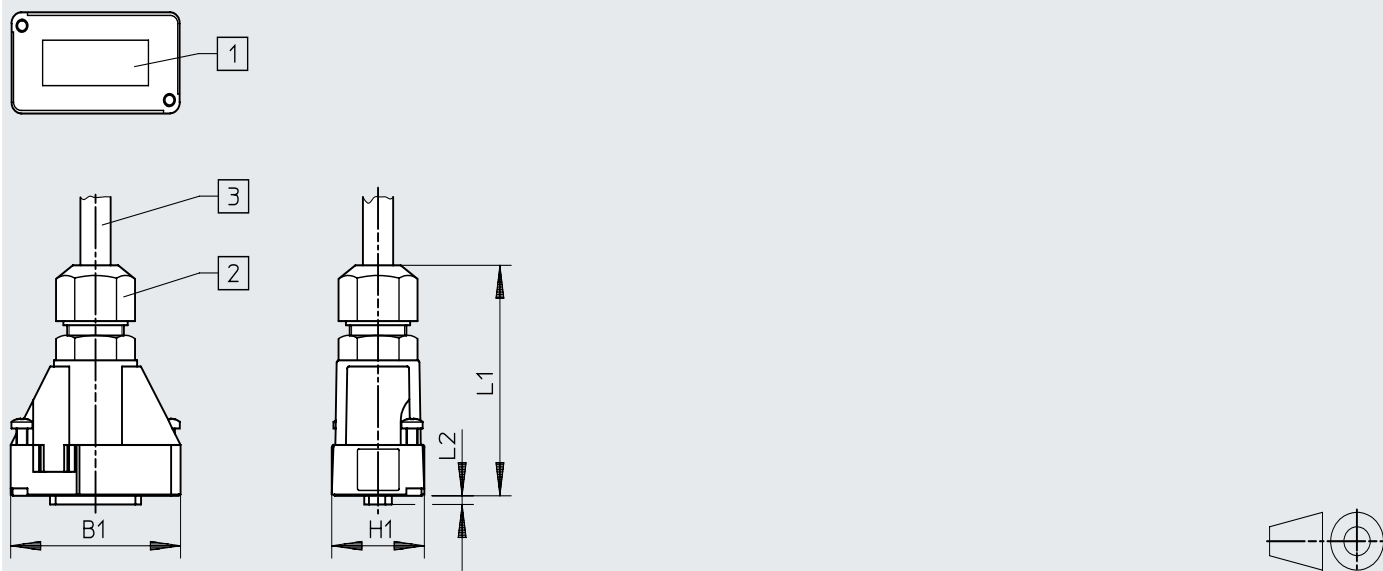
Circuitry (socket view)

	Pin	Wire colour ¹⁾
	1	WH
	2	BN
	3	GN
	4	YE
	5	GY
	6	PK
	7	BU
	8	RD
	9	BK
	10	VT
	11	GY PK
	12	RD BU
	13	GN WH
	14	BN GN
	15	YE WH

1) To IEC 757

Dimensions

Download CAD data → www.festo.com



[1] Sub-D socket, 15-pin

[2] Cable fitting PG9

[3] Cable length 5 m or 10 m

Type	B1	H1	L1	L2
KMPV-SUB-D-15-5	44.5	24.5	56.5	2.1
KMPV-SUB-D-15-10				

Datasheet

Ordering data				
Electrical connection	Cable length [m]	Weight [g]	Part no.	Type
Sub-D socket, 15-pin	5	300	177673	KMPV-SUB-D-15-5
	10	400	177674	KMPV-SUB-D-15-10