

Mechanically actuated valve VMEF

FESTO



Characteristics

At a glance

Innovative:

- Small and compact for a wide range of pneumatic applications
- Numerous valve functions can be selected: 3/2-way and 5/2-way functions
- Flow rate up to 1200 l/min
- Excellent pneumatic performance for a wide range of tasks
- Lightweight
- Minimal actuating forces

Versatile:

- The flexibility of pneumatic working ports provides a practical way of solving individual requirements
- Round silencer for ducted exhaust air
- Partially suitable for vacuum
- Partial reverse operation possible
- Actuation: direct and pilot operated
- Pressure range from vacuum to 10 bar possible
- Version as stem actuated valve, roller lever valve and roller lever valve with idle return

Operationally safe:

- Durable due to proven piston slide and disc seat valves
- Robust thanks to metal housing and connection thread or connector

Easy to assemble:

- To be mounted via through-holes (stem actuated valves are also suitable for front panel installation)
- Can be precisely adjusted with a mounting kit

Benefits:

- No electronic control required
- No programming effort
- Easy to adjust and connect
- Can be controlled and measured via sensors

Product segmentation



Festo Core Range

Solves the majority of your automation tasks

With the Festo Core Range, we have selected the most important products and functions from our broad product catalogue, and added the quickest delivery. The Core Range offers you the best value with the expected high Festo quality.

- Quickest delivery, worldwide – wherever, whenever
- Expected high Festo quality
- Easy and fast to select

Valve function

[M32]	3/2-way valve, normally closed or open	[M52]	5/2-way valve, single solenoid/monostable
Mechanical spring		Pneumatic spring/mechanical spring	
Vacuum operation possible		Vacuum operation possible	
directly controlled and pneumatically pilot-operated		partially reversible	
Reversible		Pneumatically pilot operated	
Ducted exhaust air		Ducted exhaust air	

Actuation type

[S]	Stem actuated valve	[R]	Roller lever valve
3/2-way valve, monostable		3/2-way valve, monostable	
5/2-way valve, monostable		5/2-way valve, monostable	

Characteristics

[K] Roller lever valve with idle return

3/2-way valve, monostable

5/2-way valve, monostable

[VR] Swivel lever valve, switching range right

3/2-way valve, monostable

5/2-way valve, monostable

[VB] Swivel lever valve, double-sided

3/2-way valve, monostable

5/2-way valve, monostable

[VL] Swivel lever valve, switching range left

3/2-way valve, monostable

5/2-way valve, monostable

Type code

001	Series	
VMEF	Mechanically actuated valve	
002	Actuation type	
K	Roller lever valve with idle return	
R	Roller lever valve	
S	Stem actuated valve	
VB	Swivel lever valve, double-sided	
VL	Swivel lever valve, switching range left	
VR	Swivel lever valve, switching range right	
003	Design principle	
	Piston spool	
T	Poppet valve	
004	Type of control	
	Directly actuated	
C	Indirectly actuated	

005	Pilot air	
	Internal	
Z	External	
006	Valve function	
M32	3/2-way valve, normally closed or open	
M52	5/2-way valve, single solenoid/monostable	
007	Reset method for monostable/single solenoid valves	
E	Pneumatic spring, external	
M	Mechanical spring	
008	Pneumatic connection	
G18	G1/8	
G14	G1/4	

Datasheet

General technical data						
Design	One-way roller lever with idle return, Piston gate valve	Piston gate valve	Piston gate valve, Roller lever	Roller lever, Poppet seat	One-way roller lever with idle return, Poppet seat	Poppet seat
Construction width	20 mm					
Type of piloting	Direct	Direct, Pilot actuated	Direct			Direct, Pilot actuated
Max. actuating speed with lateral actuation	0.7	–	1.4		0.7	–
Instructions on use	Risk of pinching	Do not use as a mechanical stop	Risk of pinching			Do not use as a mechanical stop
Type of actuation	Mechanical					
Type of mounting	With through-hole					
Sealing principle	Soft					
Flow direction	Reversible	Non-reversible, Reversible	Reversible			
Mounting position	optional					
Max. switching frequency	3 Hz					

Technical data – Stem actuated valve 3/2-way valves G1/4		
Pilot air supply	External	Internal
Valve function	3/2-way, closed, monostable	
Standard nominal flow rate (standardised to DIN 1343)	870 l/min	
lap	Zero overlap	
Type of piloting	Pilot actuated	
Type of reset	Mechanical spring	
Pilot air port 12/14	M5	
Nominal size	6 mm	
Actuating force	14 N	

Technical data – Stem actuated valve 3/2-way valves G1/8		
Pilot air supply	External	Internal
Valve function	3/2-way, closed, monostable	
Standard nominal flow rate (standardised to DIN 1343)	750 l/min	
lap	Zero overlap	
Type of piloting	Pilot actuated	
Type of reset	Mechanical spring	
Pilot air port 12/14	M5	
Nominal size	5.6 mm	
Actuating force	14 N	

Technical data – Stem actuated valve 5/2-way valves G1/4			
Pilot air supply	External		Internal
Type of reset	Mechanical spring	Pneumatic spring	Mechanical spring
Valve function	5/2-way, monostable		
Standard nominal flow rate (standardised to DIN 1343)	1,200 l/min		
lap	Overlap		
Type of piloting	Pilot actuated		
Pilot air port 12/14	M5		
Nominal size	7 mm		
Actuating force	14 N		

Datasheet

Technical data – Roller lever valve 3/2-way valves G1/4

Max. stroke limit (hard)	6.3 mm	11 mm
Standard nominal flow rate (standardised to DIN 1343)	870 l/min	
Valve function	3/2-way, single solenoid	
lap	Zero overlap	
Type of reset	Mechanical spring	
Nominal size	6 mm	
Actuating force	35.2 N	32.7 N

Technical data – Roller lever valve 3/2-way valves G1/8

Max. stroke limit (hard)	6.3 mm	11 mm
Standard nominal flow rate (standardised to DIN 1343)	750 l/min	
Valve function	3/2-way, single solenoid	
lap	Zero overlap	
Type of reset	Mechanical spring	
Nominal size	5.6 mm	
Actuating force	35.2 N	32.7 N

Technical data – Roller lever valve 5/2-way valves G1/4

Max. stroke limit (hard)	11.6 mm	11.8 mm	
Type of reset	Mechanical spring	Pneumatic spring	Mechanical spring
Standard nominal flow rate (standardised to DIN 1343)	1,200 l/min		
Valve function	5/2-way, monostable		
lap	Overlap		
Nominal size	7 mm		
Actuating force	38 N	23.5 N	

Technical data – Roller lever valve 5/2-way valves G1/8

Max. stroke limit (hard)	11.6 mm	11.8 mm
Standard nominal flow rate (standardised to DIN 1343)	750 l/min	
Valve function	5/2-way, monostable	
lap	Overlap	
Type of reset	Mechanical spring, Pneumatic spring	Mechanical spring
Nominal size	5.2 mm	
Actuating force	38 N	23.5 N

Technical data – Stem actuated valve 5/2-way valves G1/8

Pilot air supply	External	Internal	
Type of reset	Mechanical spring	Pneumatic spring	Mechanical spring
Valve function	5/2-way, monostable		
Standard nominal flow rate (standardised to DIN 1343)	750 l/min		
lap	Overlap		
Type of piloting	Pilot actuated		
Pilot air port 12/14	M5		
Nominal size	5.2 mm		
Actuating force	14 N		

Datasheet

Operating and ambient conditions, stem actuated valve

Pilot air supply	External	Internal
Operating medium	Compressed air to ISO 8573-1:2010 [7:-:-]	
Note on operating and pilot medium	Lubricated operation possible (in which case lubricated operation will always be required)	
Operating pressure	-0.95 ... 10 bar	2.5 ... 10 bar
Operating pressure	-0.095 ... 1 MPa	0.25 ... 1 MPa
Pilot pressure	2.5 ... 10 bar	
Media temperature	-10 ... 60°C	
Ambient temperature	-10 ... 60°C	
Corrosion resistance class CRC ¹⁾	2 - Moderate corrosion stress	

1) Corrosion resistance class CRC 2 to Festo standard FN 940070. Moderate corrosion stress. Indoor application where condensation can occur. External visible parts with primarily decorative surface requirements that are in direct contact with a normal industrial environment.

Materials, stem actuated valve

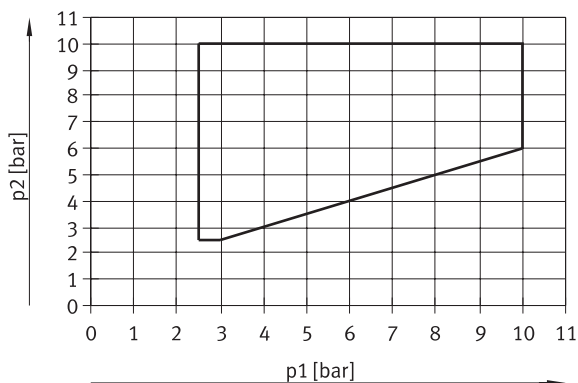
Material housing	Anodised wrought aluminium alloy
Material cover	PA-reinforced
Material mounting adaptor	–
Material seals	NBR
Note on materials	RoHS-compliant

Materials, roller lever valve

Material housing	Anodised wrought aluminium alloy
Material cover	PA-reinforced
Material mounting adaptor	Galvanised steel
Material seals	NBR
Note on materials	RoHS-compliant

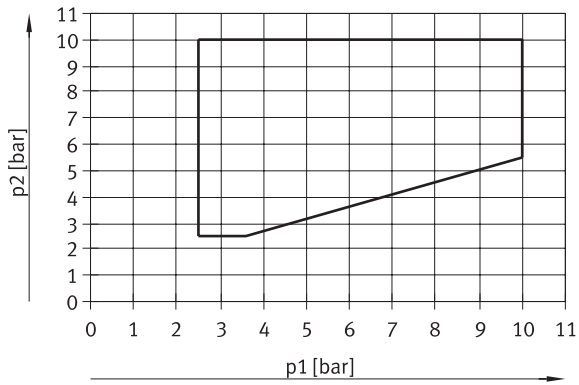
Materials, swivel lever valve

Material housing	Anodised wrought aluminium alloy
Material cover	PA-reinforced
Material mounting adaptor	–
Material seals	NBR
Note on materials	RoHS-compliant

Pilot pressure p₂ as a function of external pneumatic spring pressure p₁, for piston spool valves VMEF-...-M52...18

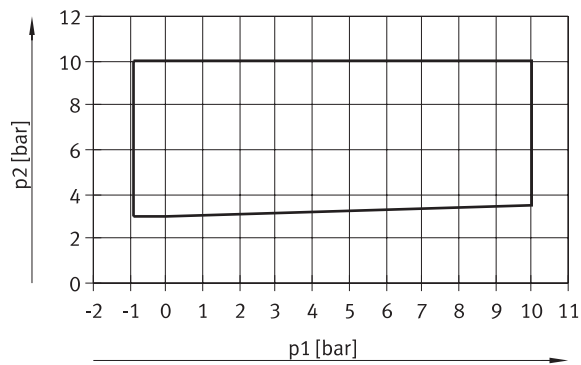
Datasheet

Pilot pressure p_2 as a function of external pneumatic spring pressure p_1 , for piston spool valves VMEF-...-M52...14



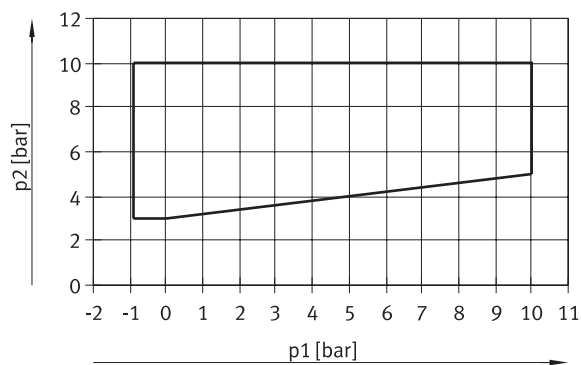
Pilot pressure p_2 as a function of working pressure p_1 , for poppet seat valves VMEF-...-M32... (normally closed)

VMEF



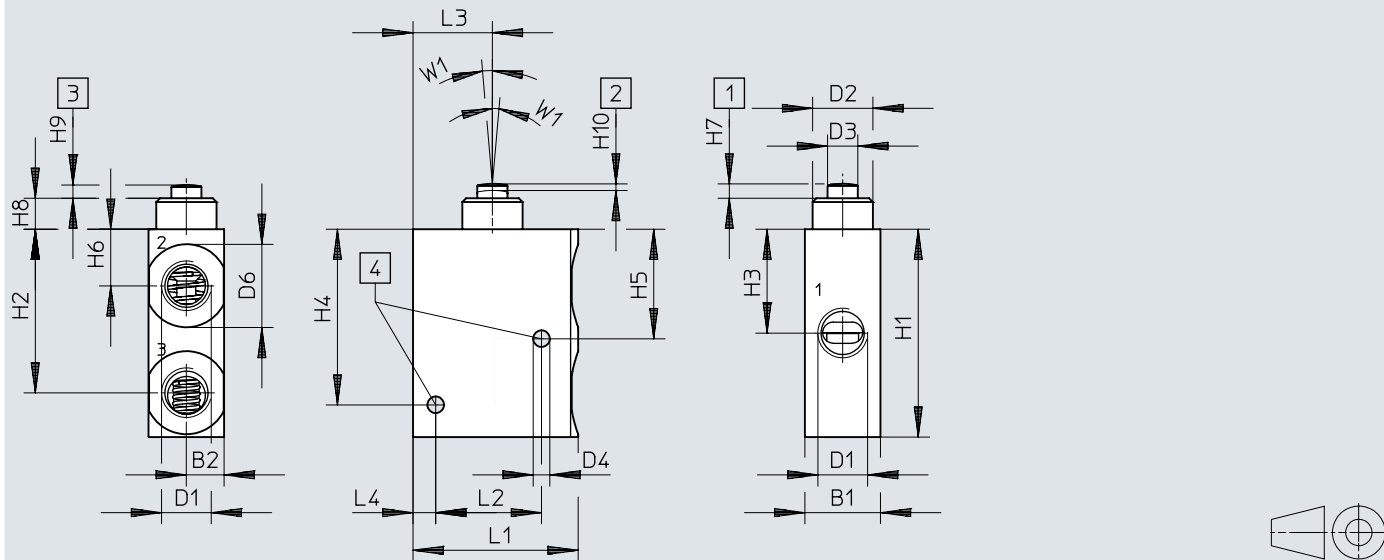
Pilot pressure p_2 as a function of working pressure p_1 , for poppet seat valves VMEF-...-M32... (normally open)

VMEF-G18/G14



Dimensions

Download CAD data → www.festo.com



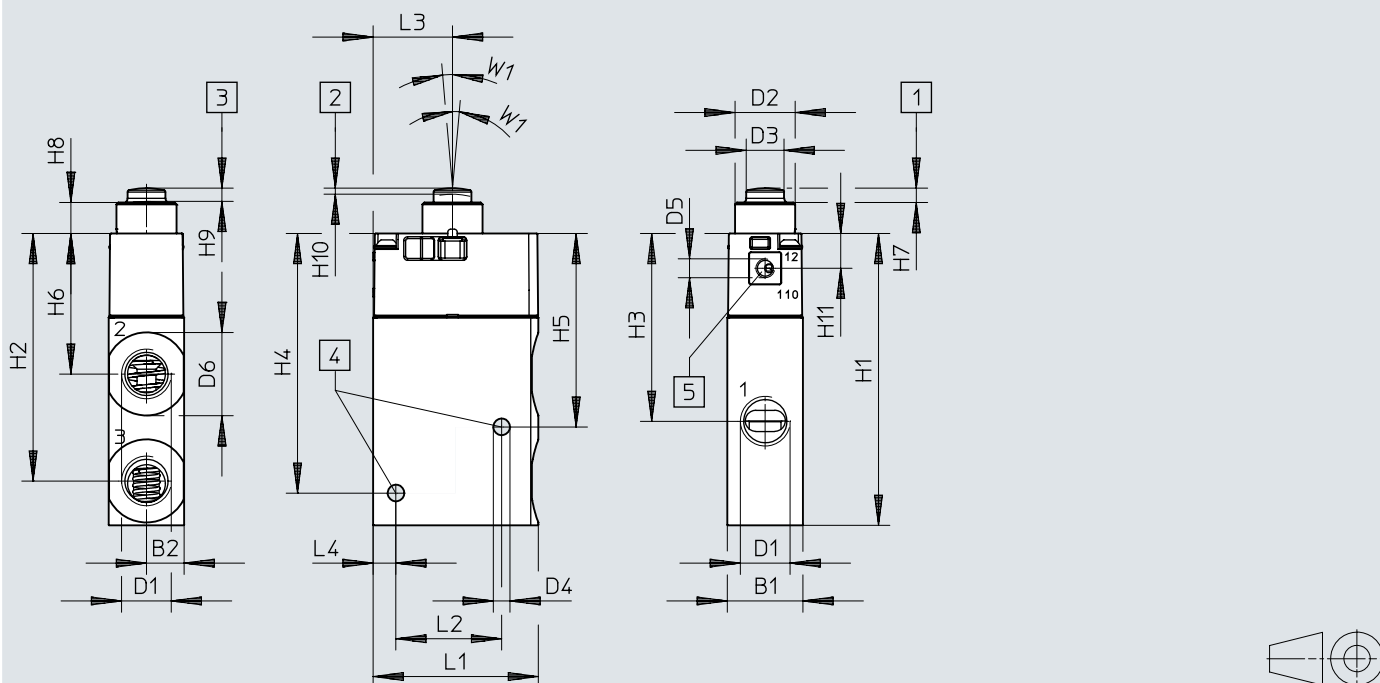
- [1] Normal position
- [2] Start of opening
- [3] Maximum stroke
- [4] Mounting hole

VMEF	B1	B2	D1	D2 ∅	D3 ∅	D4 ∅	D6 ∅	L1	L2	L3	L4
VMEF-ST-M32-M-G18	20	10	G1/8	16,0	8,0	4,4	16,5	43,7	28	21	6
VMEF-ST-M32-M-G14			G1/4				22				
VMEF	H1	H2	H3	H4	H5	H6	H7 ±0,2	H8	H9 ±0,3	H10 ±0,3	W1
VMEF-ST-M32-M-G18	55	43,3	27,5	46,5	29	15	3,8	8,2	3,5	1,8	5°
VMEF-ST-M32-M-G14											

Dimensions

Dimensions – Stem actuated 3/2-way valve and 3/2-way valve with external pilot air supply

Download CAD data → www.festo.com



- [1] Normal position
- [2] Start of opening
- [3] Maximum stroke
- [4] Mounting hole
- [5] Pilot air port 12 (110)

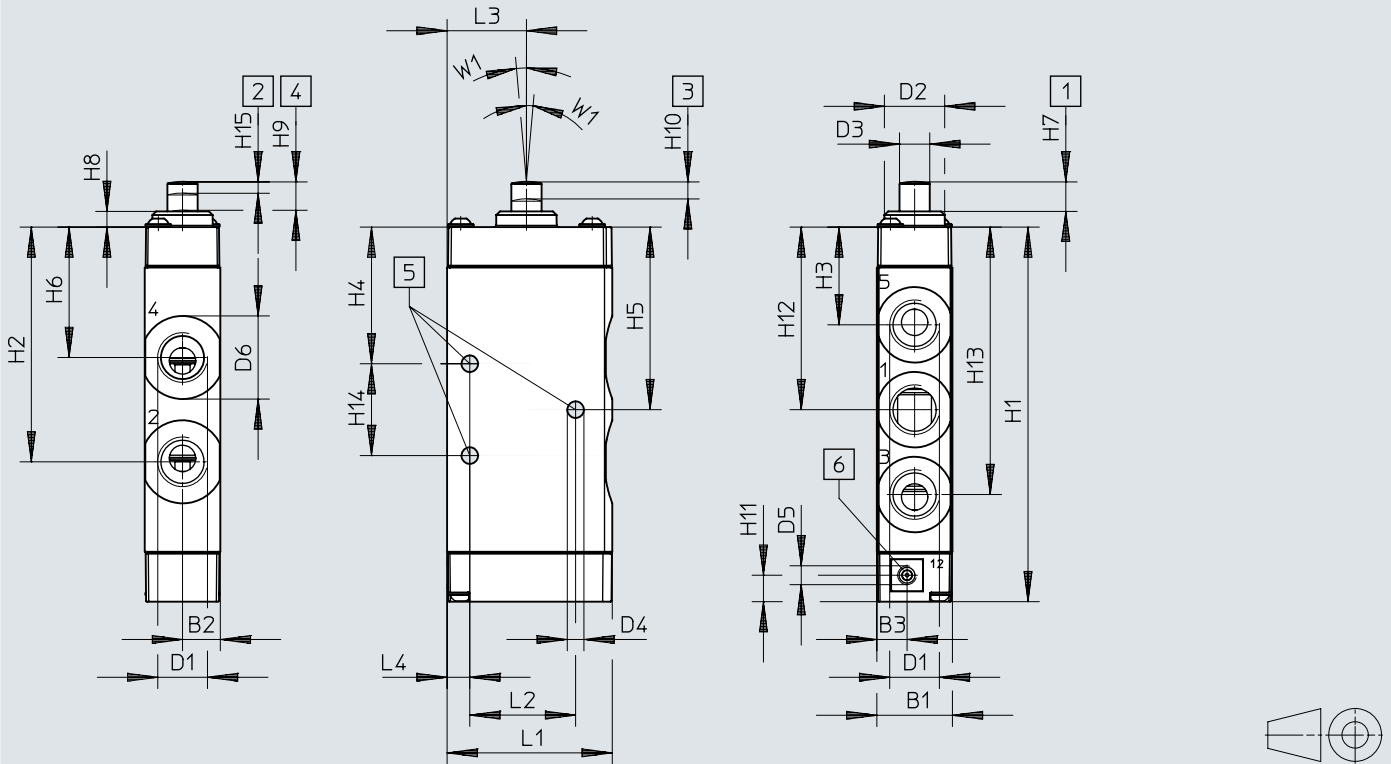
VMEF	B1	B2	D1	D2 ∅	D3 ∅	D4 ∅	D5	D6 ∅	L1	L2	L3	L4
VMEF-STC-M32-M-G18	20	10	G1/8	15,9	10	4,4	-	16,5	43,7	28	21	6
VMEF-STC-M32-M-G14			G1/4					22				
VMEF-STCZ-M32-M-G18			G1/8					16,5				
VMEF-STCZ-M32-M-G14			G1/4					22				

VMEF	H1	H2	H3	H4	H5	H6	H7 ±0,15	H8	H9 ±0,15	H10 ±0,4	H11	W1
VMEF-STC-M32-M-G18	77,2	65,5	49,7	68,7	51,2	37,2	3,8	8,2	3,5	1,6	9,2	5°
VMEF-STC-M32-M-G14												
VMEF-STCZ-M32-M-G18												
VMEF-STCZ-M32-M-G14												

Dimensions

Dimensions – Stem actuated 5/2-way valve

Download CAD data → www.festo.com



- [1] Normal position
- [2] Start of closing
- [3] Start of opening
- [4] Maximum stroke
- [6] Mounting hole
- [7] Pilot air port 12

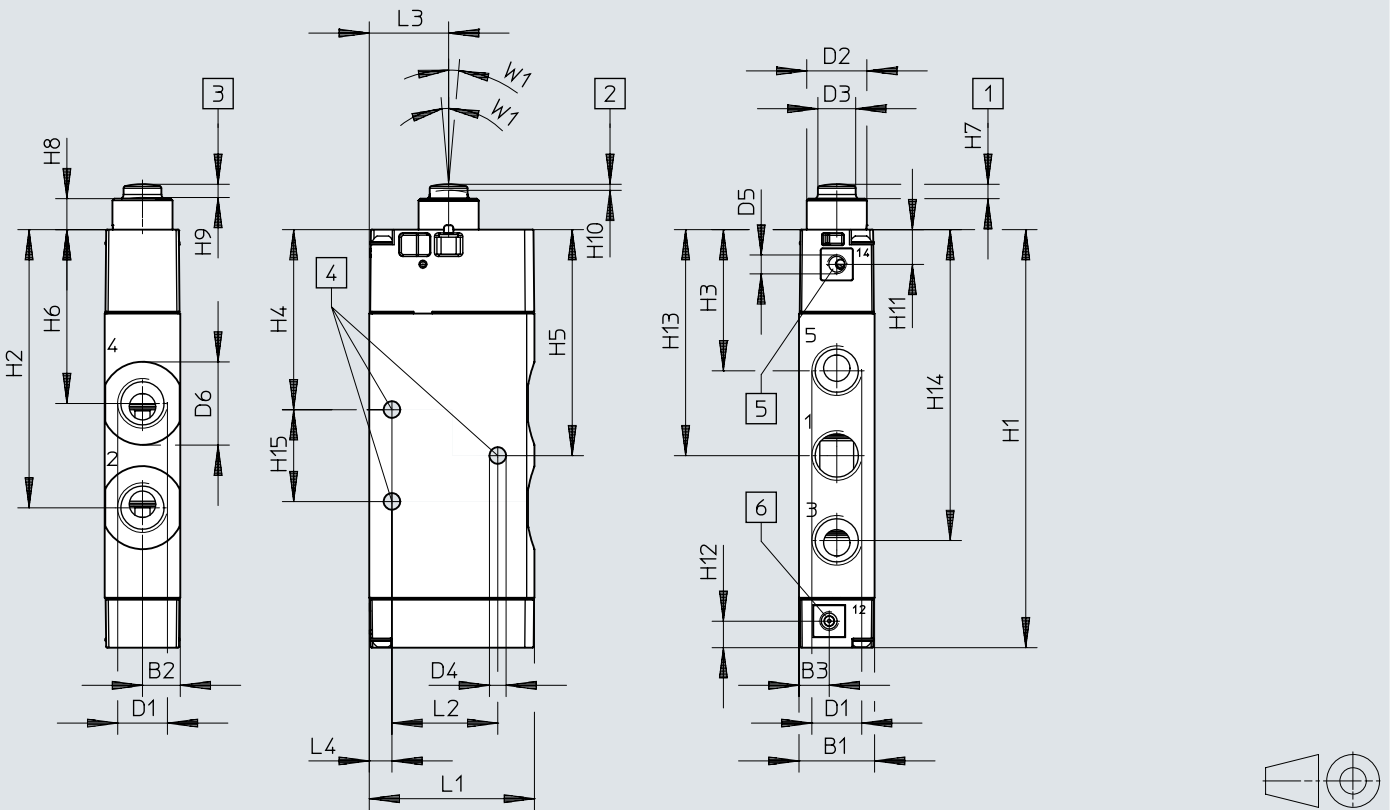
VMEF	B1	B2	B3	D1	D2 ø	D3 ø	D4 ø	D5	D6 ø	L1	L2	L3	L4	H1	H2
VMEF-S-M52-M-G18	20	10	8	G1/8	16	8	4,4	-	16,5	43,7	28	21	6	82,6	49,9
VMEF-S-M52-E-G18				M5											
VMEF-S-M52-M-G14				G1/4				-	22						
VMEF-S-M52-E-G14				M5											

VMEF	H3	H4	H5	H6	H7 ±0,15	H8	H9 ±0,15	H10 ±0,15	H11	H12	H13	H14	H15 ±0,15	W1			
VMEF-S-M52-M-G18	23,1	31,1	40,1	30,3	7,8	4,2	7,5	4,2	7	40,1	57,1	18	3	5°			
VMEF-S-M52-E-G18																	
VMEF-S-M52-M-G14								25,9	36,2	48,3	34,5	4,5			48,3	70,8	24,3
VMEF-S-M52-E-G14																	

Dimensions

Dimensions – Stem actuated 5/2-way valve and 5/2-way valve with external pilot air supply

Download CAD data → www.festo.com



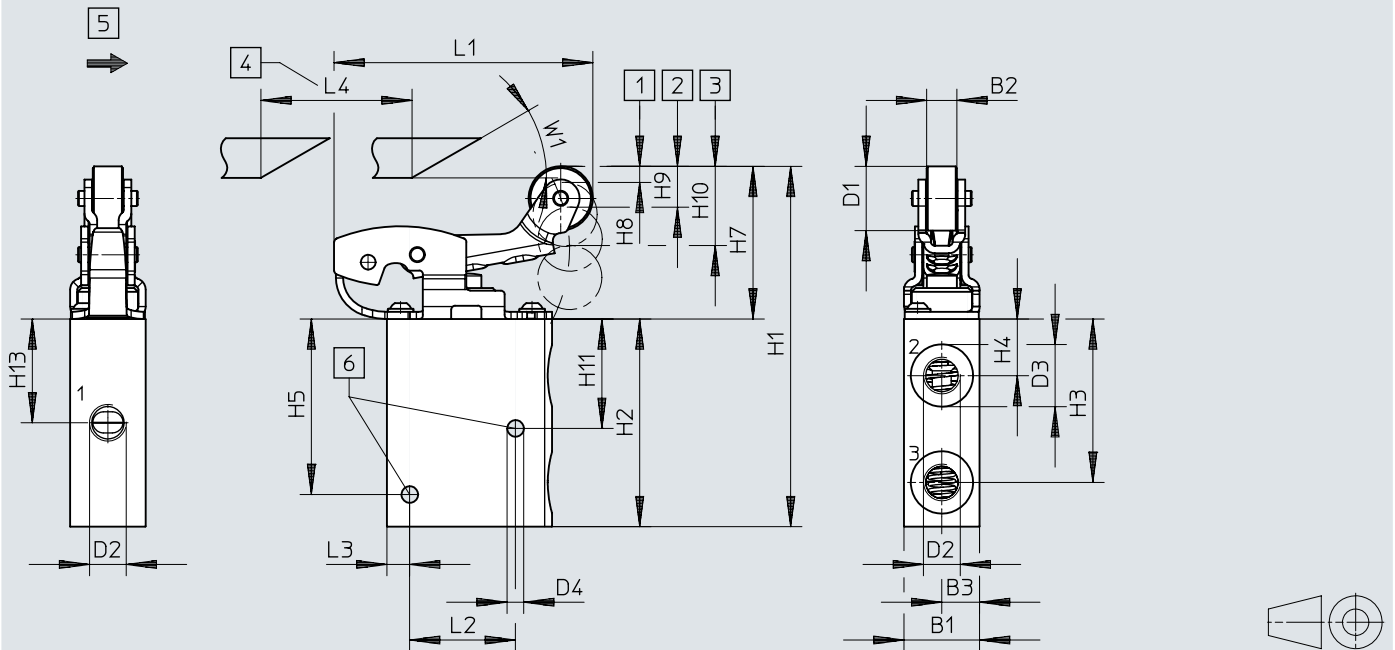
- [1] Normal position
- [2] Start of opening
- [3] Maximum stroke
- [4] Mounting hole
- [5] Pilot air port 14
- [6] Pilot air port 12

VMEF	B1	B2	B3	D1	D2 ∅	D3 ∅	D4 ∅	D5	D6 ∅	L1	L2	L3	L4
VMEF-SC-M52-M-G18	20	10	8	G1/8	15,9	10	4,4	-	16,5	43,7	28	21	6
VMEF-SCZ-M52-M-G18				G1/8				M5					
VMEF-SCZ-M52-E-G18				G1/8				-					
VMEF-SC-M52-M-G14				G1/4				-					
VMEF-SCZ-M52-M-G14				G1/4				M5					
VMEF-SCZ-M52-E-G14				G1/4				M5					

VMEF	H1	H2	H3	H4	H5	H6	H7 ±0,15	H8	H9 ±0,15	H10 ±0,4	H11	H12	H13	H14	H15	W1
VMEF-SC-M52-M-G18	94,1	61,4	34,6	42,6	51,6	41,8	3,8	8,2	3,5	1,6	9,2	7	51,6	68,6	18	5°
VMEF-SCZ-M52-M-G18																
VMEF-SCZ-M52-E-G18																
VMEF-SC-M52-M-G14	110,6	73,6	37,4	47,7	59,8	46	3,8	8,2	3,5	1,6	9,2	7	59,8	82,3	24,3	5°
VMEF-SCZ-M52-M-G14																
VMEF-SCZ-M52-E-G14																

Dimensions

Dimensions – Roller lever valve 3/2-way valve, roller lever

Download CAD data → www.festo.com

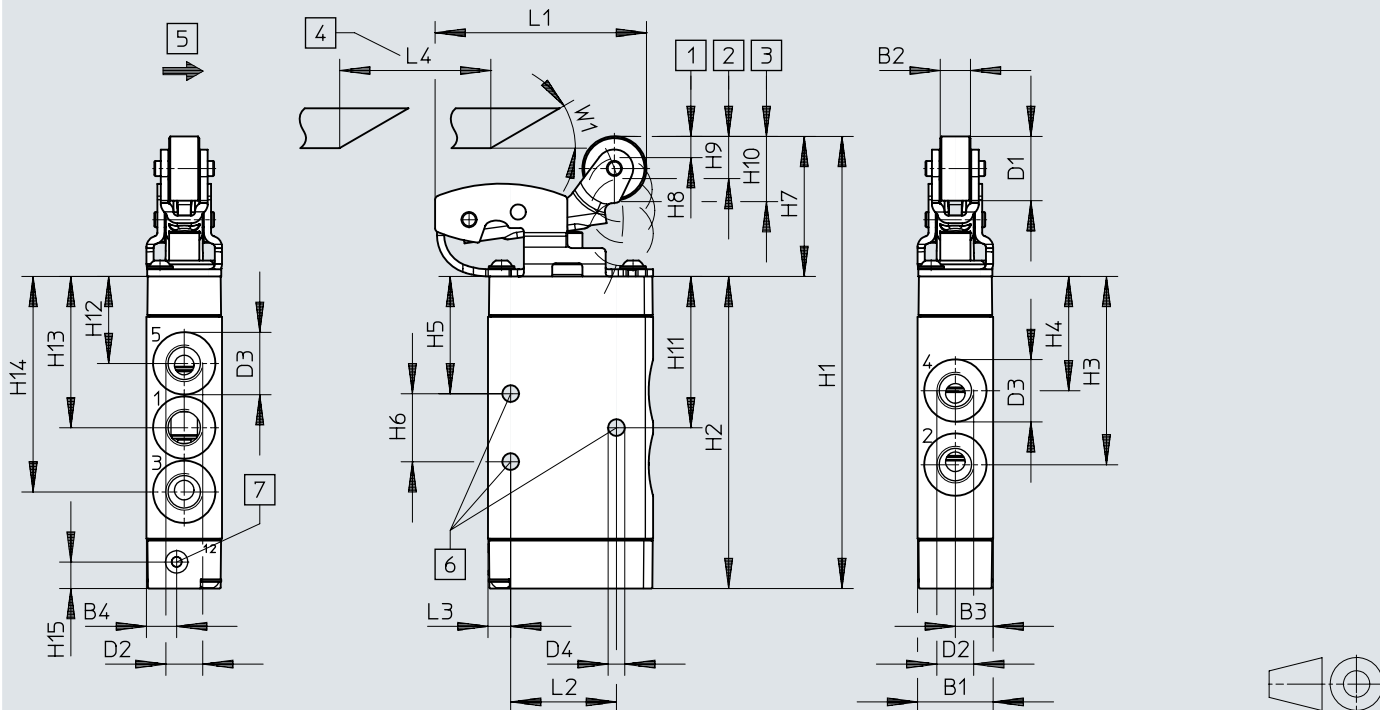
- [1] Start of opening
- [2] Max. opening
- [3] Max. stroke
- [4] Cam travel
- [5] Actuation direction
- [6] Mounting hole

VMEF	B1	B2	B3	D1 ø	D2	D3	D4 ø	L1	L2	L3	L4 min.	
VMEF-RT-M32-M-G18	20	8	10	17	G1/8	16,5	4,4	68,5	28	6	40	
VMEF-RT-M32-M-G14					G1/4	22						
VMEF	H1	H2	H3	H4	H5	H7	H8	H9	H10	H11	H13	W1
VMEF-RT-M32-M-G18	91,9	55	43,3	15	46,5	37	6	6	10	29	27,5	30°
VMEF-RT-M32-M-G14												

Dimensions

Dimensions – Roller lever valve 5/2-way valve, roller lever

Download CAD data → www.festo.com



- [1] Start of opening
- [2] Max. opening
- [3] Max. stroke
- [4] Cam travel
- [5] Actuation direction
- [6] Mounting hole
- [7] Pilot air port 12

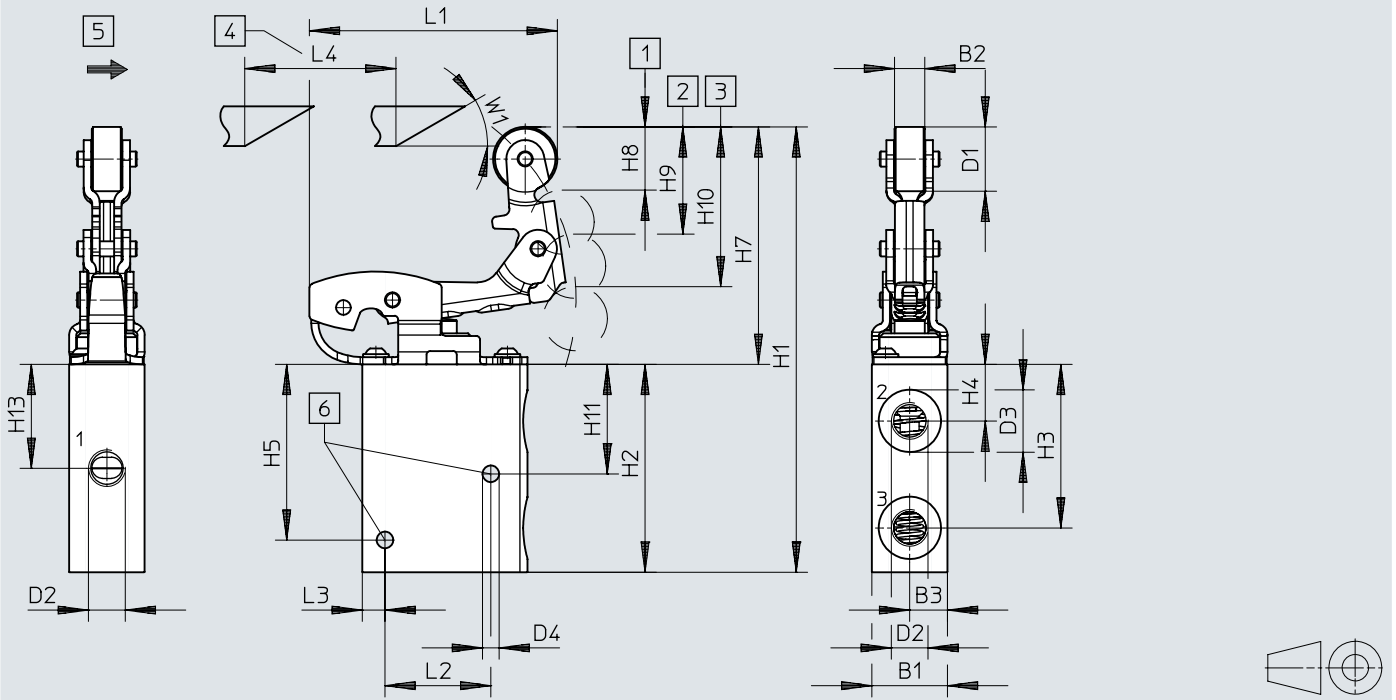
VMEF	B1	B2	B3	B4	D1 ∅	D2	D3	D4	L1	L2	L3	L4 min.	H1	H2
VMEF-R-M52-...G18	20	8	10	8	17	G1/8	16,5	4,4	56	28	6	40	119,6	82,6
VMEF-R-M52-...G14						G1/4	22						136,1	99,1

VMEF	H3	H4	H5	H6	H7	H8	H9	H10	H11	H12	H13	H14	H15	W1
VMEF-R-M52-...G18	49,9	30,3	31,1	18	37	7	5	11	40,1	23,1	40,1	57,1	7	30°
VMEF-R-M52-...G14	62,1	34,5	36,2	24,3					48,3	25,9	48,3	70,8		

Dimensions

Dimensions – Roller lever valve 3/2-way valve, roller lever with idle return

Download CAD data → www.festo.com



- [1] Start of opening
- [2] Max. opening
- [3] Max. stroke
- [4] Cam travel
- [5] Actuation direction
- [6] Mounting hole

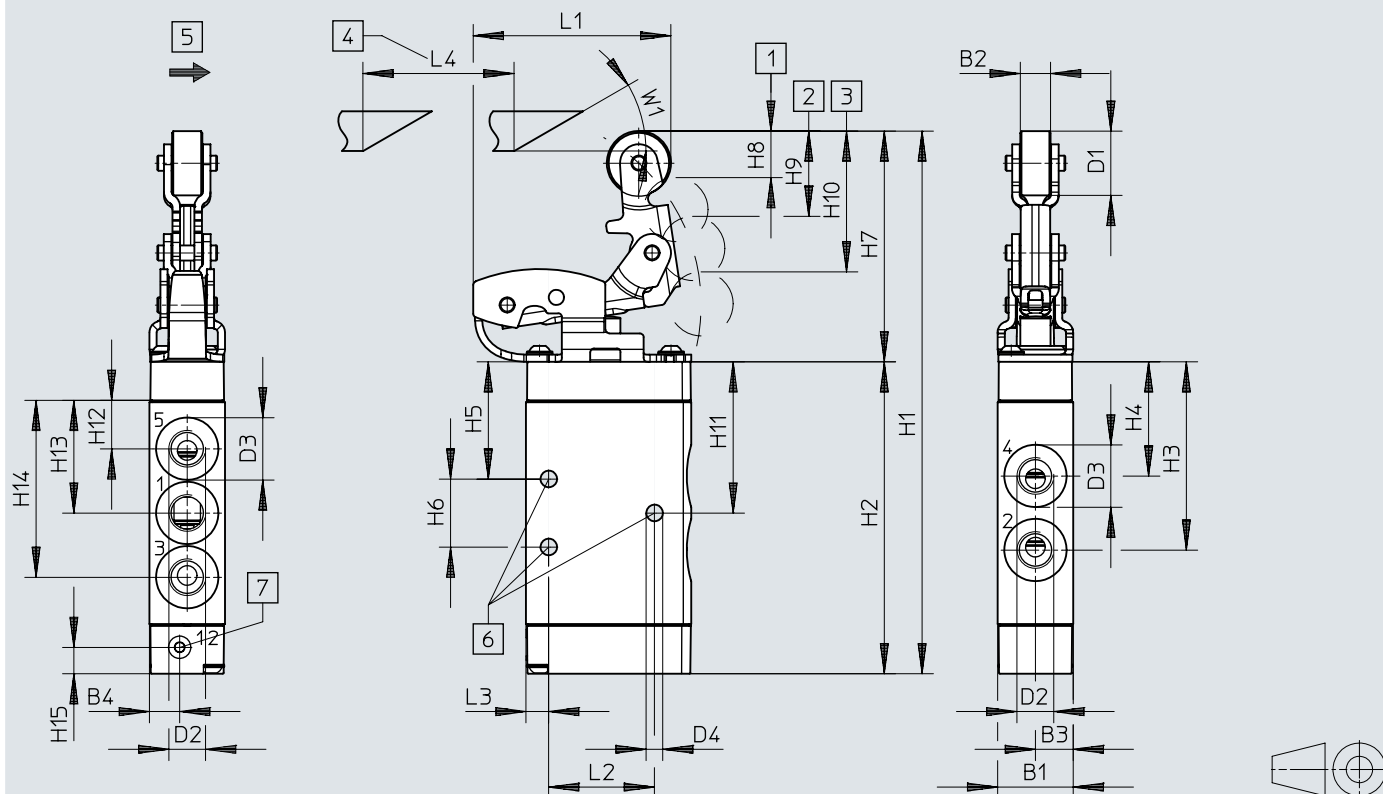
VMEF	B1	B2	B3	D1 ∅	D2	D3	D4 ∅	L1	L2	L3	L4 min.
VMEF-KT-M32-M-G18	20	8	10	17	G1/8	16,5	4,4	65,6	28	6	40
VMEF-KT-M32-M-G14					G1/4	22					

VMEF	H1	H2	H3	H4	H5	H7	H8	H9	H10	H11	H13	W1
VMEF-KT-M32-M-G18	117,2	55	43,3	15	46,5	62	6	6	10	29	27,5	30°
VMEF-KT-M32-M-G14												

Dimensions

Dimensions – Roller lever valve 5/2-way valve, roller lever with idle return

Download CAD data → www.festo.com



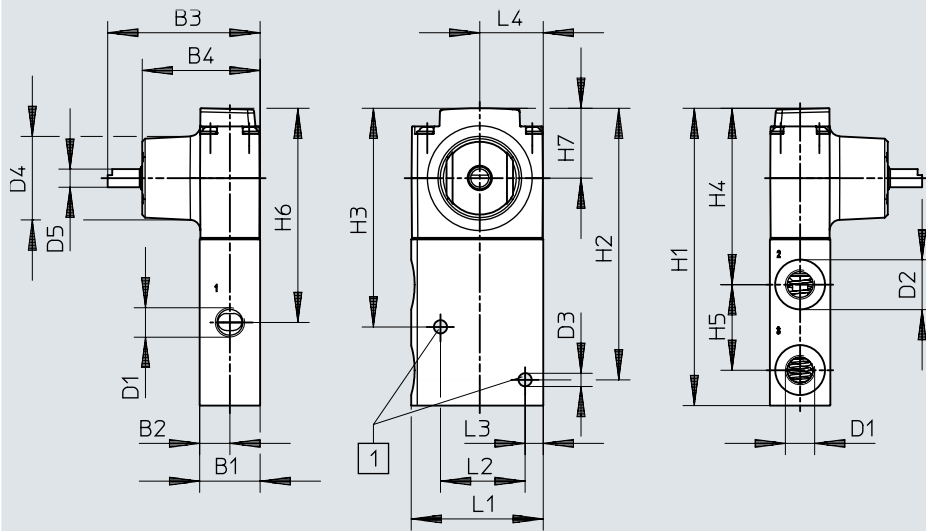
- [1] Start of opening
- [2] Max. opening
- [3] Max. stroke
- [4] Cam travel
- [5] Actuation direction
- [6] Mounting hole
- [7] Pilot air port 12

VMEF	B1	B2	B3	B4	D1 ∅	D2	D3	D4	L1	L2	L3	L4 min.	H1	H2
VMEF-K-M52-...G18	20	8	10	8	17	G1/8	16,5	4,4	52,4	28	6	40	143,5	82,6
VMEF-K-M52-...G14						G1/4	22						160	99,1

VMEF	H3	H4	H5	H6	H7	H8	H9	H10	H11	H12	H13	H14	H15	W1
VMEF-K-M52-...G18	49,9	30,3	31,1	18	61	7	5	11	40,1	23,1	40,1	57,1	7	30°
VMEF-K-M52-...G14	62,1	34,5	36,2	24,3					48,3	25,9	48,3	70,8		

Dimensions

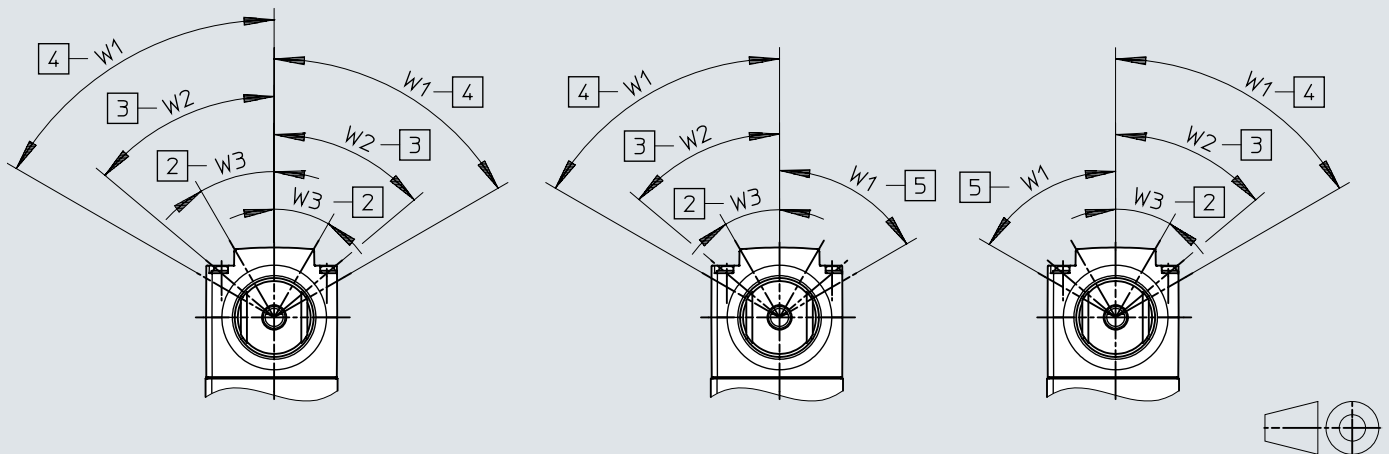
Dimensions – Swivel lever valve 3/2-way valve

Download CAD data → www.festo.com

VMEF-VBT-...

VMEF-VLT-...

VMEF-VRT-...



- [1] Mounting holes
- [2] Start of the opening
- [3] Max. opening
- [4] Flashover
- [5] Idling

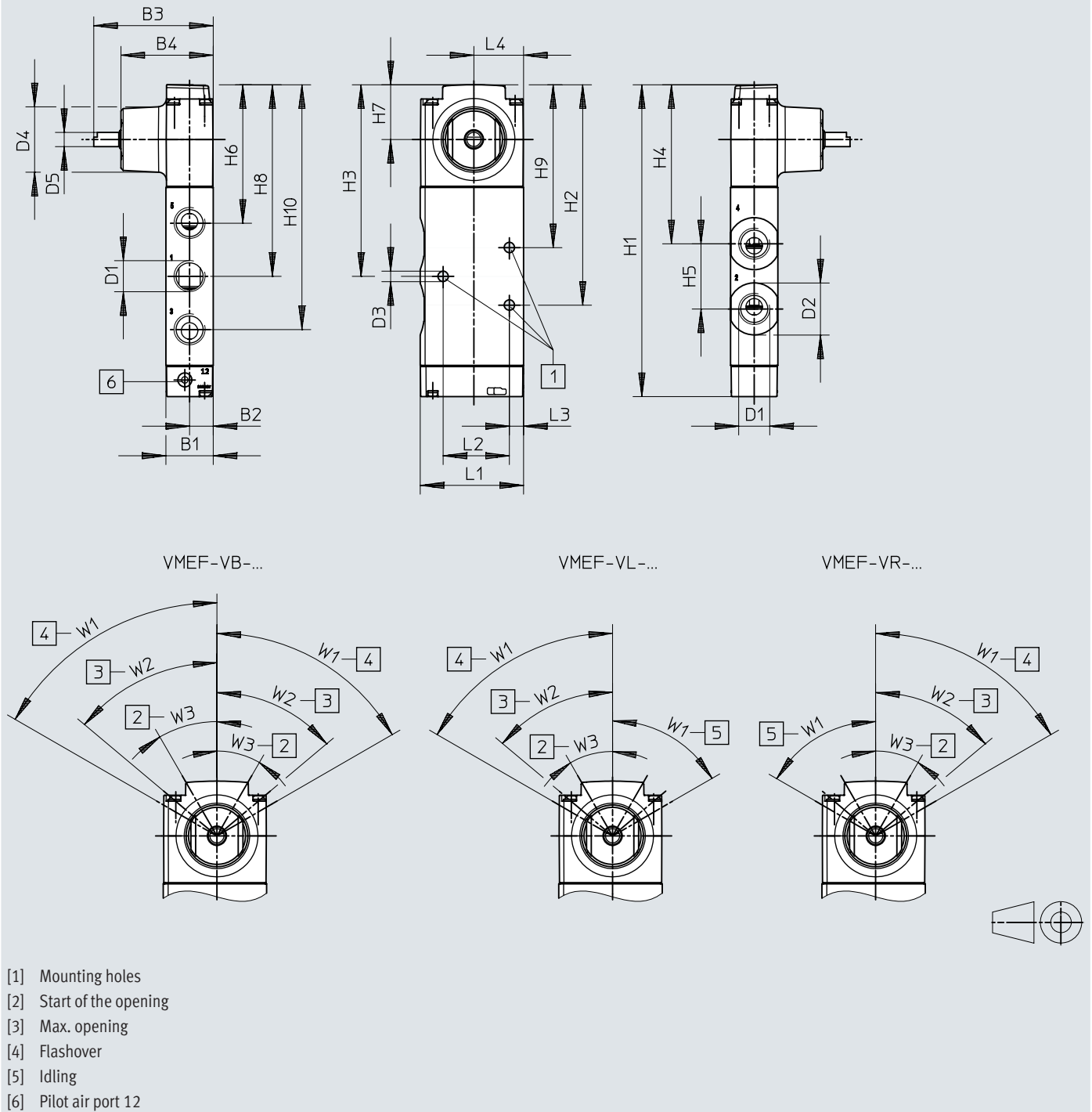
Dimensions

	B1	B2	B3	B4	D1	D2 ∅	D3 ∅	D4 ∅	D5 ∅	H1	H2	H3
VMEF-VBT-M32-M-G18	20	10	50,4	39	G1/8	16,5	4,4	27,7	6	98,4	89,9	72,4
VMEF-VBT-M32-M-G14					G1/4	22						
VMEF-VLT-M32-M-G18					G1/8	16,5						
VMEF-VLT-M32-M-G14					G1/4	22						
VMEF-VRT-M32-M-G18					G1/8	16,5						
VMEF-VRT-M32-M-G14					G1/4	22						

	H4	H5	H6	H7	L1	L2	L3	L4	W1	W2	W3
VMEF-VBT-M32-M-G18	58,4	28,3	70,9	23,1	43,7	28	6	21	60°	50°	30°
VMEF-VBT-M32-M-G14											
VMEF-VLT-M32-M-G18											
VMEF-VLT-M32-M-G14											
VMEF-VRT-M32-M-G18											
VMEF-VRT-M32-M-G14											

Dimensions

Dimensions – Swivel lever valve 5/2-way valve

Download CAD data → www.festo.com

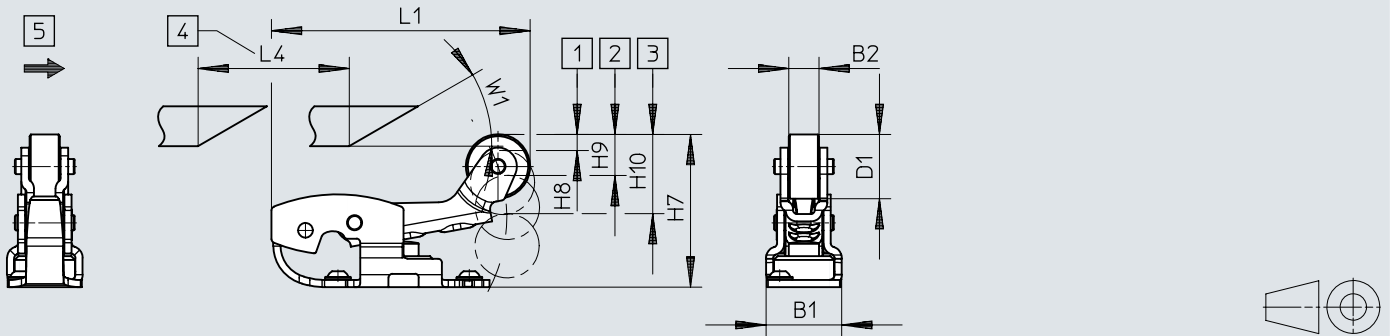
Dimensions

	B1	B2	B3	B4	D1	D2 ∅	D3 ∅	D4 ∅	D5 ∅	H1	H2	H3	H4
VMEF-VB-M52-M-G18	20	10	50,5	39	G1/8	16,5	4,4	27,7	6	115,3	81,7	72,7	62,9
VMEF-VL-M52-M-G18					G1/8								
VMEF-VR-M52-M-G18					G1/8								
VMEF-VB-M52-M-G14					G1/4	22				131,8	93,1	81	67,2
VMEF-VL-M52-M-G14					G1/4								
VMEF-VR-M52-M-G14					G1/4								

	H5	H6	H7	H8	H9	H10	L1	L2	L3	L4	W1	W2	W3
VMEF-VB-M52-M-G18	19,6	55,7	23,1	72,7	63,7	89,7	43,7	28	6	21	60°	50°	30°
VMEF-VL-M52-M-G18													
VMEF-VR-M52-M-G18													
VMEF-VB-M52-M-G14	27,6	58,5	23,1	81	68,8	103,5	43,7	28	6	21	60°	50°	30°
VMEF-VL-M52-M-G14													
VMEF-VR-M52-M-G14													

Dimensions

Dimensions – Actuator attachments VAOM, roller lever for 3/2-way valves

Download CAD data → www.festo.com

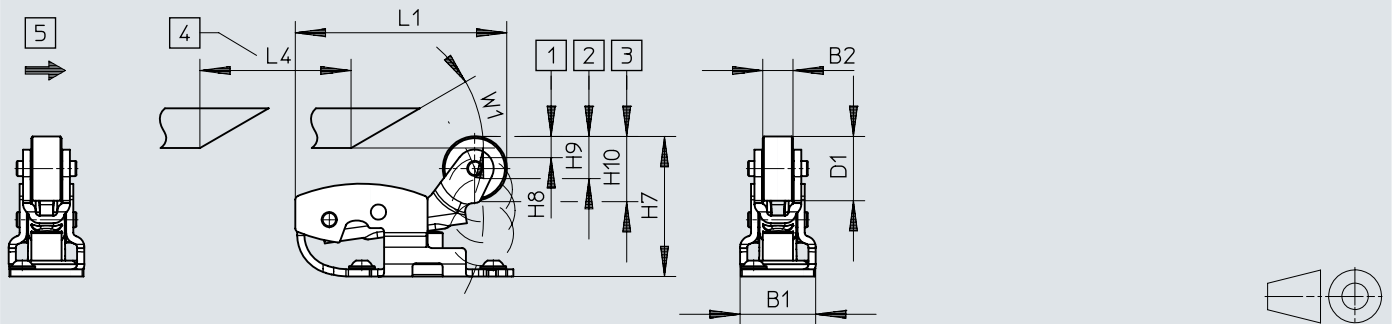
- [1] Start of opening
- [2] Max. opening
- [3] Max. stroke
- [4] Cam travel
- [5] Actuation direction

VAOM	B1	B2	D1 ∅	L1	L4 min.	H7 ±0,1	H8 ±0,1	H9 ±0,1	H10 ±0,1	W1
VAOM-R4-20-D1-32	20	8	17	68,5	40	36,9	2,9	2,9	6,3	30°

Dimensions

Dimensions – Actuator attachments VAOM, roller lever for 5/2-way valves

Download CAD data → www.festo.com



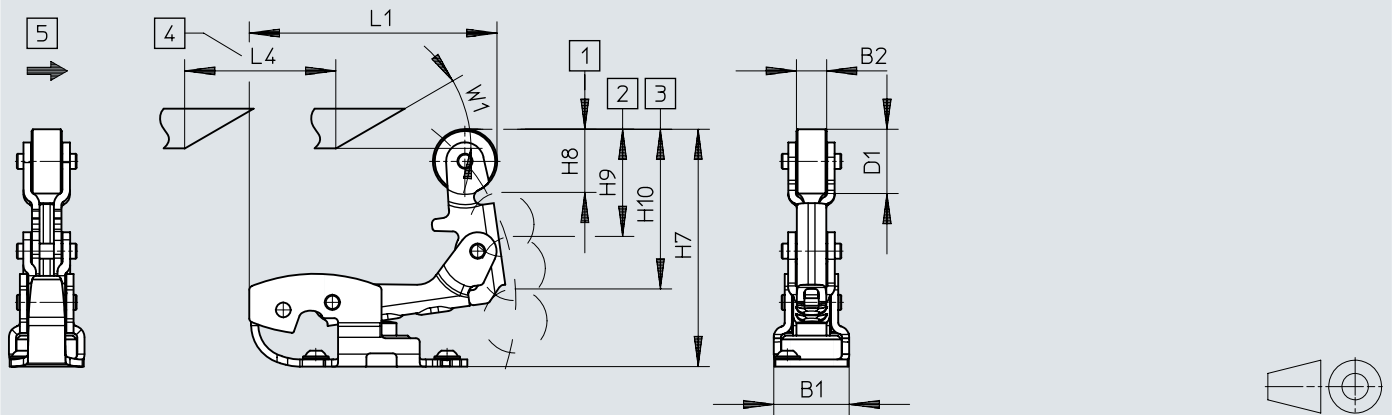
- [1] Start of opening
- [2] Max. opening
- [3] Max. stroke
- [4] Cam travel
- [5] Actuation direction

VAOM	B1	B2	D1 ∅	L1	L4 min.	H7 ±0,2	H8 ±0,3	H9 ±0,2	H10 ±0,1	W1
VAOM-R4-20-D1-52	20	8	17	56	40	37	7,3	7,6	11,6	30°

Dimensions

Dimensions – Actuator attachments VAOM, roller lever with idle return for 3/2-way valves

Download CAD data → www.festo.com



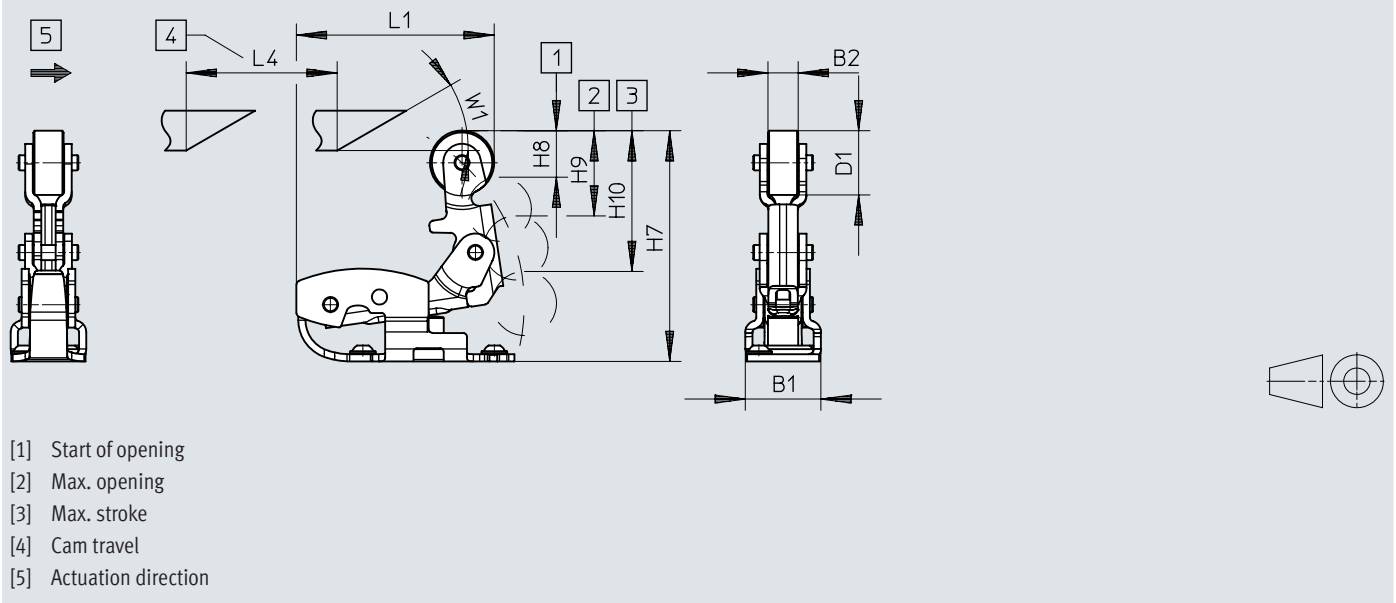
- [1] Start of opening
- [2] Max. opening
- [3] Max. stroke
- [4] Cam travel
- [5] Actuation direction

VAOM	B1	B2	D1 ∅	L1	L4 min.	H7 ±0,2	H8 ±0,2	H9 ±0,2	H10 ±0,1	W1
VAOM-R4-20-D2-32	20	8	17	65,6	40	62,2	5,9	5,8	11,1	30°

Dimensions

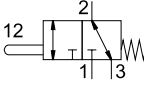
Dimensions – Actuator attachments VAOM, roller lever with idle return for 5/2-way valves

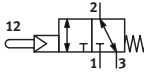
Download CAD data → www.festo.com

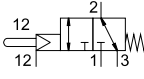


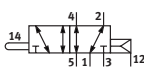
VAOM	B1	B2	D1 ∅	L1	L4 min.	H7 ±0,1	H8 ±0,3	H9 ±0,3	H10 ±0,1	W1
VAOM-R4-20-D2-52	20	8	17	52,4	40	60,9	7,4	7,7	11,8	30°

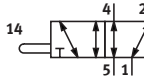
Ordering data

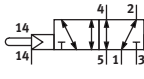
Stem actuated valve, 3/2-way valve, monostable, normally closed or open, reset via mechanical spring, vacuum compatible						
	Type of piloting	Flow direction	Design	Product weight	Part no.	Type
	Direct	Reversible	Poppet seat	110 g	★ 8031300	VMEF-ST-M32-M-G14
				116 g	★ 8031295	VMEF-ST-M32-M-G18

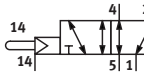
Stem actuated valve, 3/2-way valve, monostable, normally closed or open, reset via mechanical spring, pneumatically pilot controlled, internal pilot air						
	Type of piloting	Flow direction	Design	Product weight	Part no.	Type
	Pilot actuated	Reversible	Poppet seat	124 g	8031332	VMEF-STC-M32-M-G14
				131 g	8031331	VMEF-STC-M32-M-G18

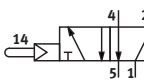
Stem actuated valve, 3/2-way valve, monostable, normally closed or open, reset via mechanical spring, pneumatically pilot controlled, external pilot air						
	Type of piloting	Flow direction	Design	Product weight	Part no.	Type
	Pilot actuated	Reversible	Poppet seat	124 g	8031336	VMEF-STCZ-M32-M-G14
				131 g	8031335	VMEF-STCZ-M32-M-G18

Stem actuated valve, 5/2-way valve, monostable, normally closed or open position, reset via (external) pneumatic spring, vacuum compatible						
	Type of piloting	Flow direction	Design	Product weight	Part no.	Type
	Direct	Reversible	Piston gate valve	144 g	8031299	VMEF-S-M52-E-G18
				177 g	8031304	VMEF-S-M52-E-G14

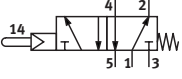
Stem actuated valve, 5/2-way valve, monostable, normally closed or open, reset via mechanical spring, vacuum compatible						
	Type of piloting	Flow direction	Design	Product weight	Part no.	Type
	Direct	Reversible	Piston gate valve	145 g	★ 8031297	VMEF-S-M52-M-G18
				178 g	★ 8031302	VMEF-S-M52-M-G14

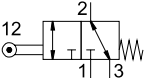
Stem actuated valve, 5/2-way valve, monostable, reset via pneumatic spring, pneumatically pilot controlled, external pilot air, vacuum-compatible						
	Type of piloting	Flow direction	Design	Product weight	Part no.	Type
	Pilot actuated	Reversible	Piston gate valve	150 g	8031324	VMEF-SCZ-M52-E-G18
				183 g	8031323	VMEF-SCZ-M52-E-G14

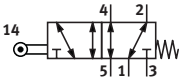
Stem actuated valve, 5/2-way valve, monostable, reset via mechanical spring, pneumatically pilot controlled, external pilot air, vacuum compatible						
	Type of piloting	Flow direction	Design	Product weight	Part no.	Type
	Pilot actuated	Reversible	Piston gate valve	151 g	8031328	VMEF-SCZ-M52-M-G18
				184 g	8031327	VMEF-SCZ-M52-M-G14

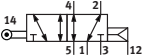
Stem actuated valve, 5/2-way valve, monostable, reset via mechanical spring, pneumatically pilot controlled, internal pilot air						
	Type of piloting	Flow direction	Design	Product weight	Part no.	Type
	Pilot actuated	Non-reversible	Piston gate valve	151 g	8031320	VMEF-SC-M52-M-G18

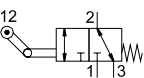
Ordering data

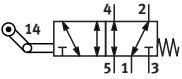
Stem actuated valve, 5/2-way valve, monostable, reset via mechanical spring, pneumatically pilot controlled, internal pilot air						
	Type of piloting	Flow direction	Design	Product weight	Part no.	Type
	Pilot actuated	Non-reversible	Piston gate valve	184 g	8031319	VMEF-SC-M52-M-G14

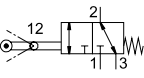
Roller lever valve, 3/2-way valve, monostable, normally closed or open, reset via mechanical spring, directly controlled, vacuum compatible						
	Type of piloting	Flow direction	Design	Product weight	Part no.	Type
	Direct	Reversible	Roller lever, Poppet seat	204 g	★ 8047095	VMEF-RT-M32-M-G14
				209 g		

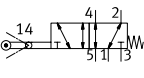
Roller lever valve, 5/2-way valve, monostable, reset via mechanical spring, directly controlled, vacuum compatible						
	Type of piloting	Flow direction	Design	Product weight	Part no.	Type
	Direct	Reversible	Piston gate valve, Roller lever	240 g	★ 8049238	VMEF-R-M52-M-G18
				272 g		

Roller lever valve, 5/2-way valve, monostable, reset via (external) pneumatic spring, directly controlled, vacuum compatible						
	Type of piloting	Flow direction	Design	Product weight	Part no.	Type
	Direct	Reversible	Piston gate valve, Roller lever	240 g	8047092	VMEF-R-M52-E-G18
				272 g		

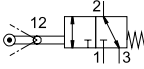
Roller lever valve with idle return, 3/2-way valve, monostable, normally closed or open, reset via mechanical spring, directly controlled, vacuum compatible						
	Type of piloting	Flow direction	Design	Product weight	Part no.	Type
	Direct	Reversible	One-way roller lever with idle return, Poppet seat	218 g	8047103	VMEF-KT-M32-M-G14
				227 g		

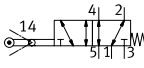
Roller lever valve with idle return, 5/2-way valve, monostable, reset via mechanical spring, directly controlled, vacuum compatible						
	Type of piloting	Flow direction	Design	Product weight	Part no.	Type
	Direct	Reversible	One-way roller lever with idle return, Piston gate valve	255 g	8049240	VMEF-K-M52-M-G18
				286 g		

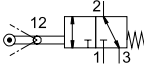
Swivel lever valve, switching range on both sides, poppet valve, 3/2-way valve, monostable, closed or open rest position, reset via mechanical spring						
	Type of piloting	Flow direction	Design	Product weight	Part no.	Type
	Direct	Reversible	Semi-rotary drive, Poppet seat	178 g	8048967	VMEF-VBT-M32-M-G18
					8048968	VMEF-VBT-M32-M-G14

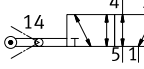
Swivel lever valve, switching range on both sides, 5/2-way valve, monostable, normally closed or open, reset via mechanical spring						
	Type of piloting	Flow direction	Design	Product weight	Part no.	Type
	Direct	Reversible	Piston gate valve, Semi-rotary drive	207 g	8048969	VMEF-VB-M52-M-G18
				236 g		

Ordering data

Swivel lever valve, switching range right, poppet valve, 3/2-way valve, monostable, closed or open rest position, reset via mechanical spring						
	Type of piloting	Flow direction	Design	Product weight	Part no.	Type
	Direct	Reversible	Semi-rotary drive, Poppet seat	178 g	8048971	VMEF-VRT-M32-M-G18
					8048972	VMEF-VRT-M32-M-G14

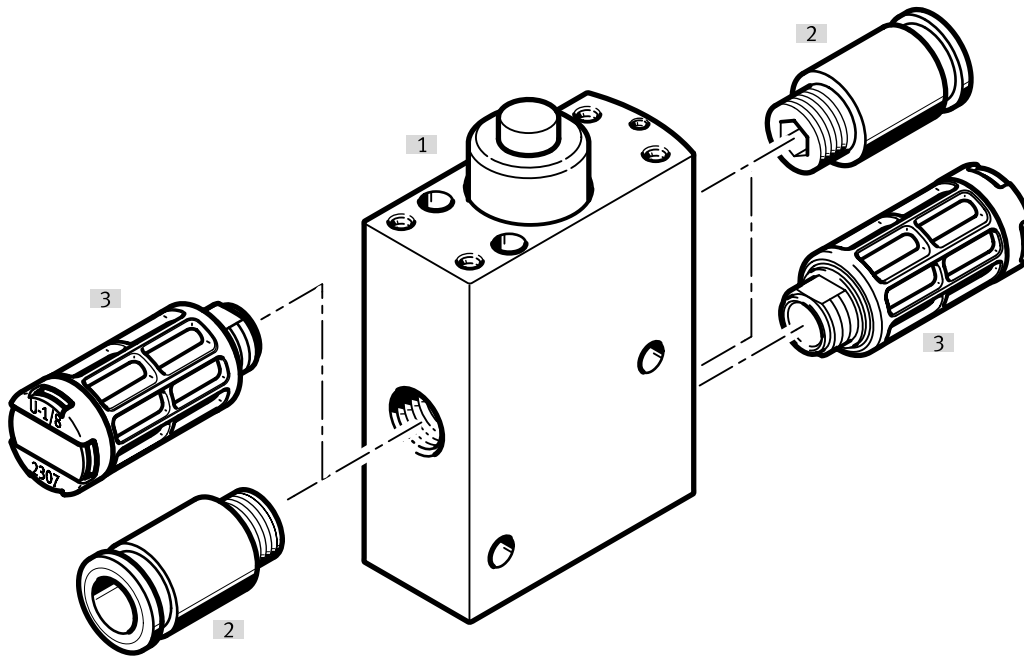
Swivel lever valve, switching range right, 5/2-way valve, monostable, normally closed or open, reset via mechanical spring						
	Type of piloting	Flow direction	Design	Product weight	Part no.	Type
	Direct	Reversible	Piston gate valve, Semi-rotary drive	207 g	8048973	VMEF-VR-M52-M-G18
				236 g	8048974	VMEF-VR-M52-M-G14

Swivel lever valve, switching range left, poppet valve, 3/2-way valve, monostable, closed or open rest position, reset via mechanical spring						
	Type of piloting	Flow direction	Design	Product weight	Part no.	Type
	Direct	Reversible	Semi-rotary drive, Poppet seat	178 g	8048976	VMEF-VLT-M32-M-G14
					8048975	VMEF-VLT-M32-M-G18

Swivel lever valve, switching range left, 5/2-way valve, monostable, normally closed or open, reset via mechanical spring						
	Type of piloting	Flow direction	Design	Product weight	Part no.	Type
	Direct	Reversible	Piston gate valve, Semi-rotary drive	207 g	8048977	VMEF-VL-M52-M-G18
				236 g	8048978	VMEF-VL-M52-M-G14

Peripherals

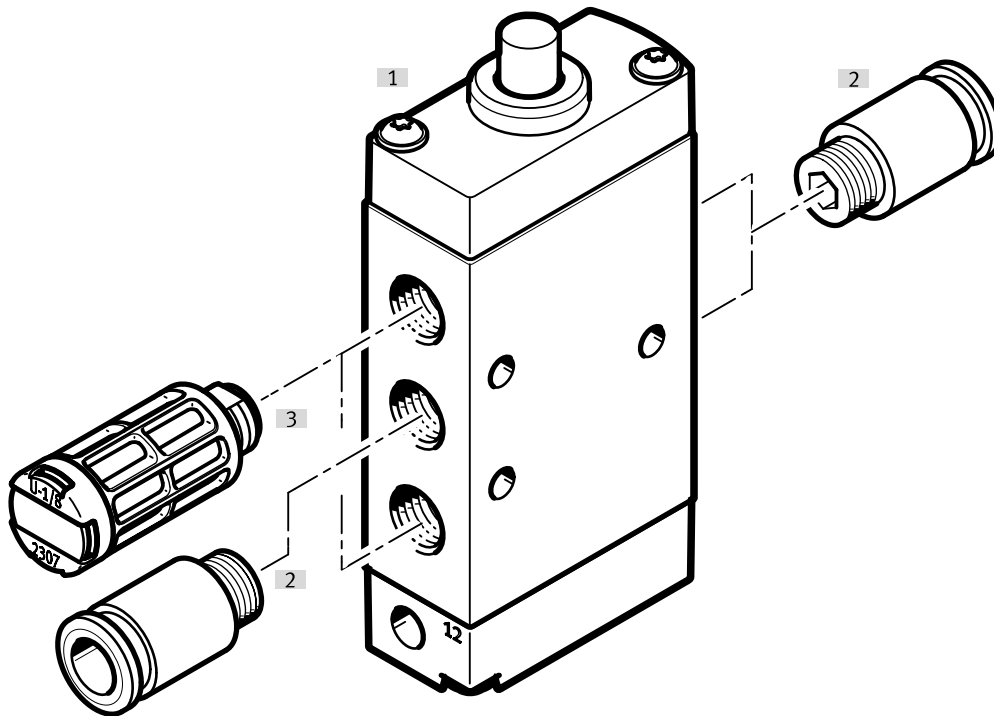
Peripherals overview, stem actuated valve 3/2



Accessories			→ Page/Internet
Type/order code	Description		
[1] 3/2-way valve	Stem actuated valve		vmef
[2] Fitting	For working air/exhaust air connections (1, 3, 5) and working connections (2, 4)		37
[3] Silencer	For exhaust air connections (3, 5)		37

Peripherals

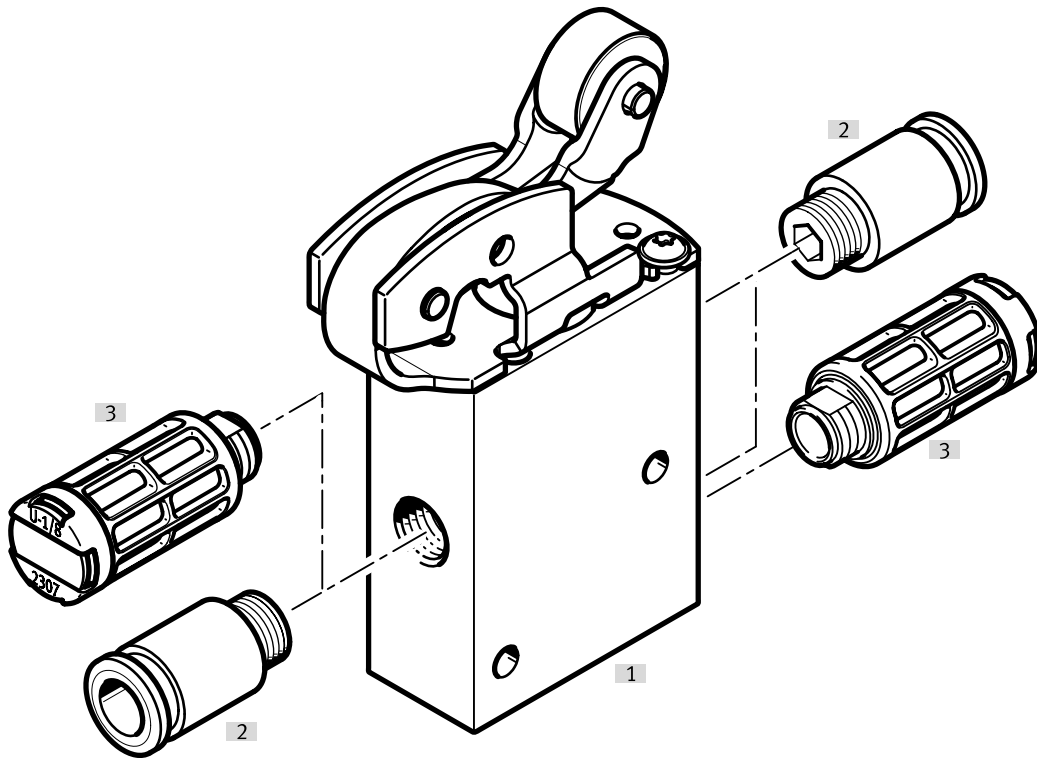
Peripherals overview, stem actuated valve 5/2



Accessories			→ Page/Internet
Type/order code	Description		
[1] 5/2-way valve	Stem actuated valve		vmef
[2] Fitting	For working air/exhaust air connections (1, 3, 5) and working connections (2, 4)		37
[3] Silencer	For exhaust air connections (3, 5)		37

Peripherals

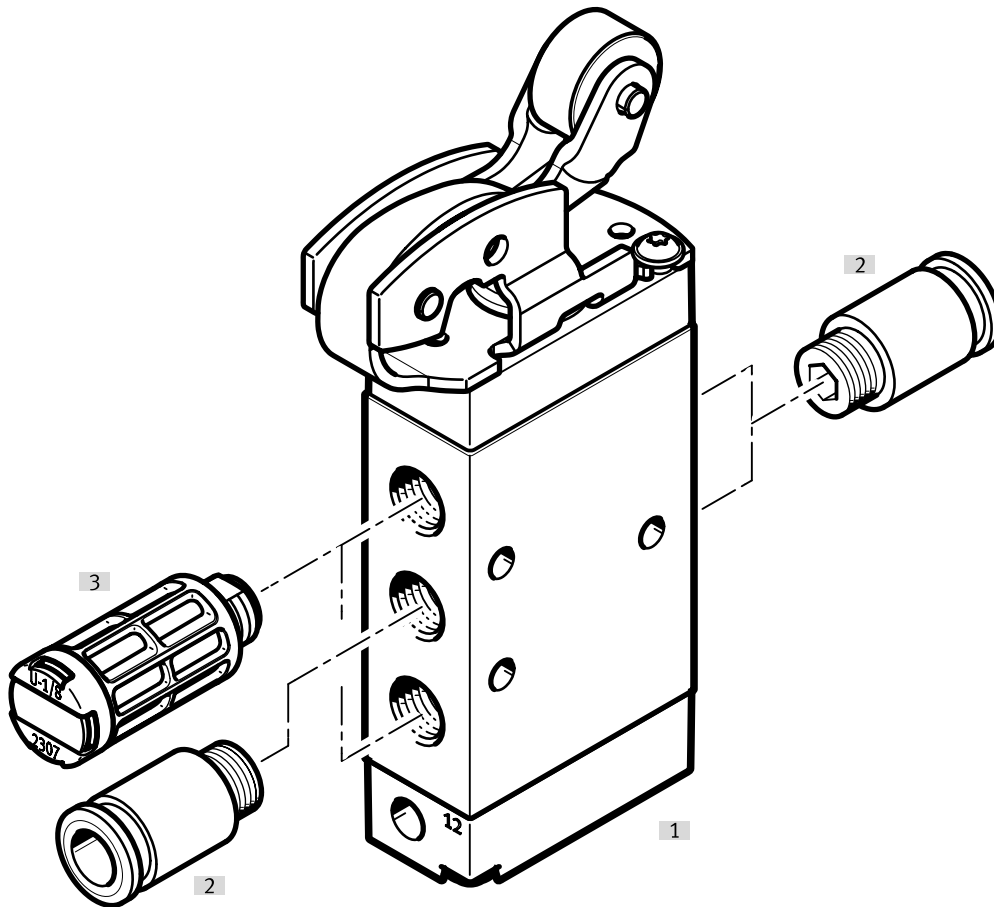
Peripherals overview, roller lever valve 3/2



Accessories			→ Page/Internet
Type/order code	Description		
[1] 3/2-way valve	Stem actuated valve with roller lever attachment		vmef
[2] Fitting	For working air/exhaust air connections (1, 3, 5) and working connections (2, 4)		37
[3] Silencer	For exhaust air connections (3, 5)		37

Peripherals

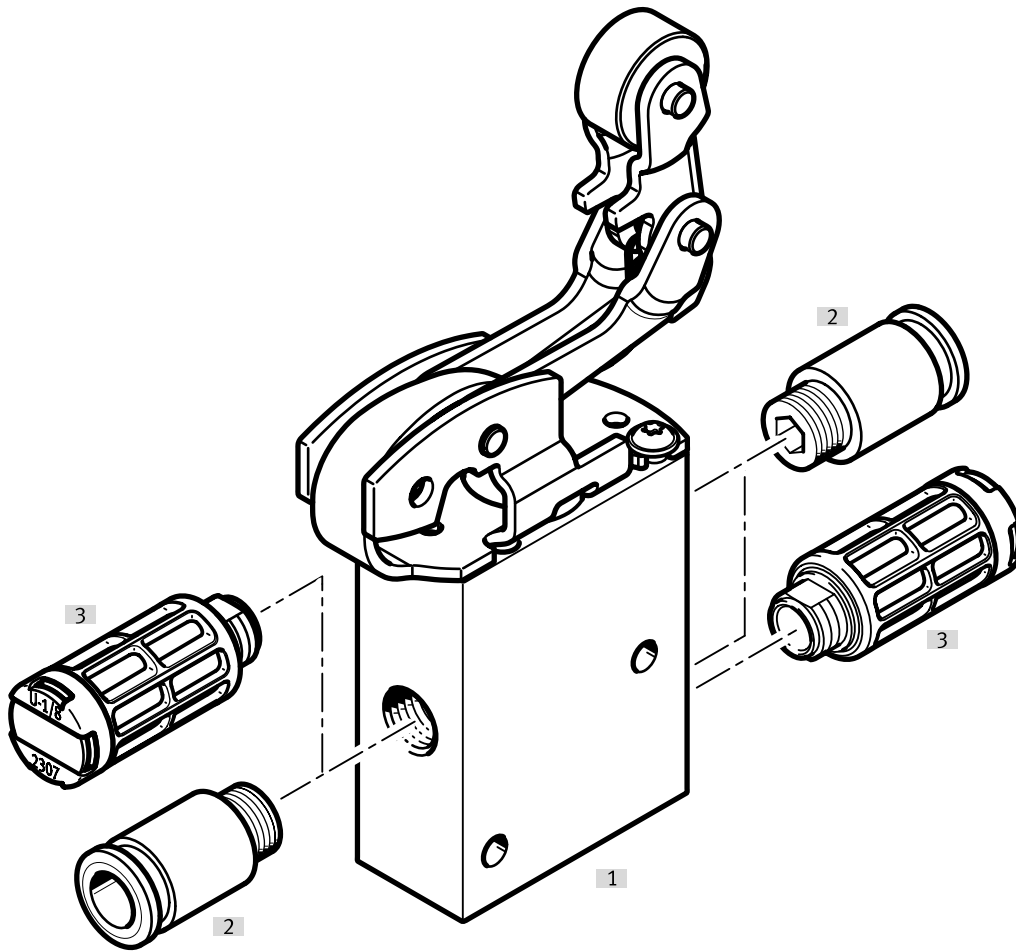
Peripherals overview, roller lever valve 5/2



Accessories			→ Page/Internet
Type/order code	Description		
[1]	5/2-way valve	Stem actuated valve with roller lever attachment	vmef
[2]	Fitting	For working air/exhaust air connections (1, 3, 5) and working connections (2, 4)	37
[3]	Silencer	For exhaust air connections (3, 5)	37

Peripherals

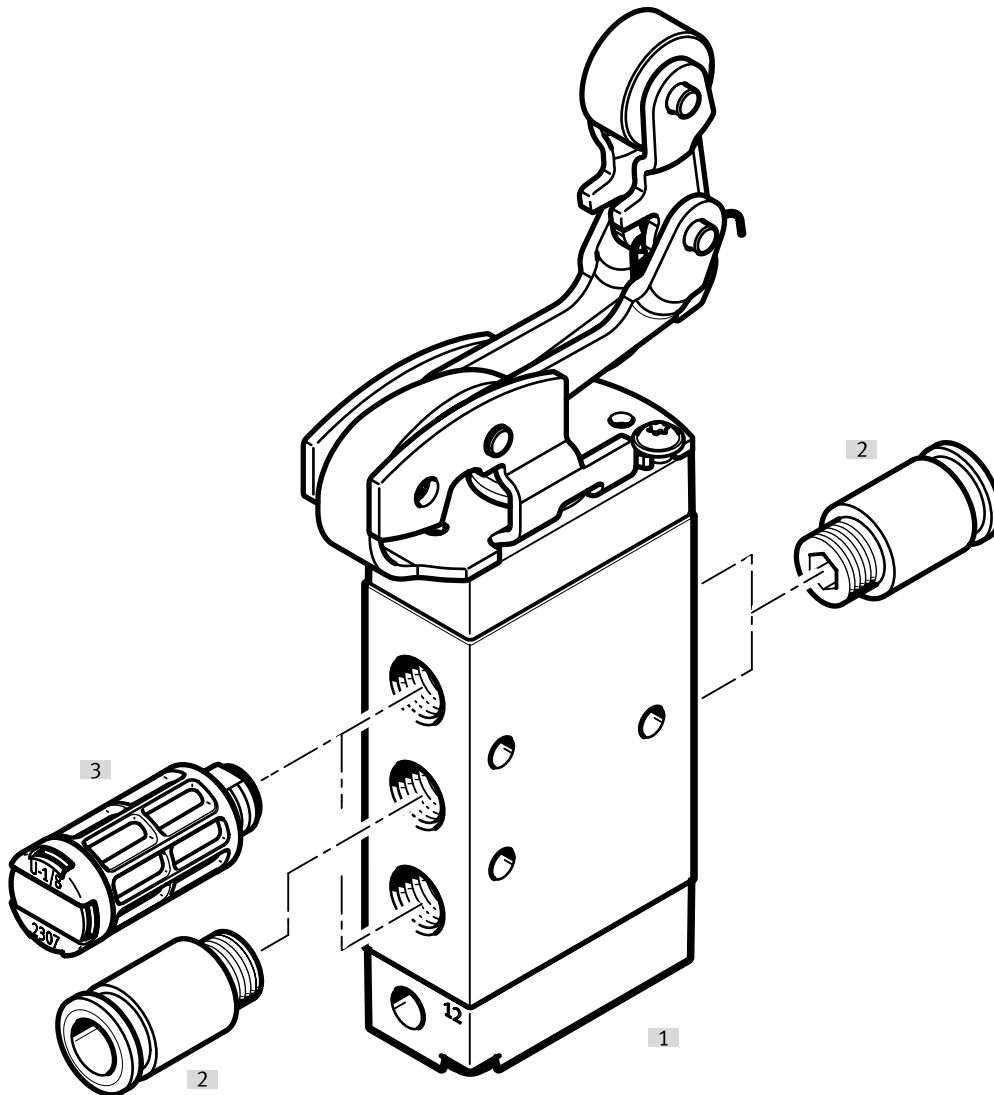
Peripherals overview, roller lever valve with idle return 3/2



Accessories			→ Page/Internet
Type/order code	Description		
[1] 3/2-way valve	Stem actuated valve with idle return roller lever attachment		vmef
[2] Fitting	For working air/exhaust air connections (1, 3, 5) and working connections (2, 4)		37
[3] Silencer	For exhaust air connections (3, 5)		37

Peripherals

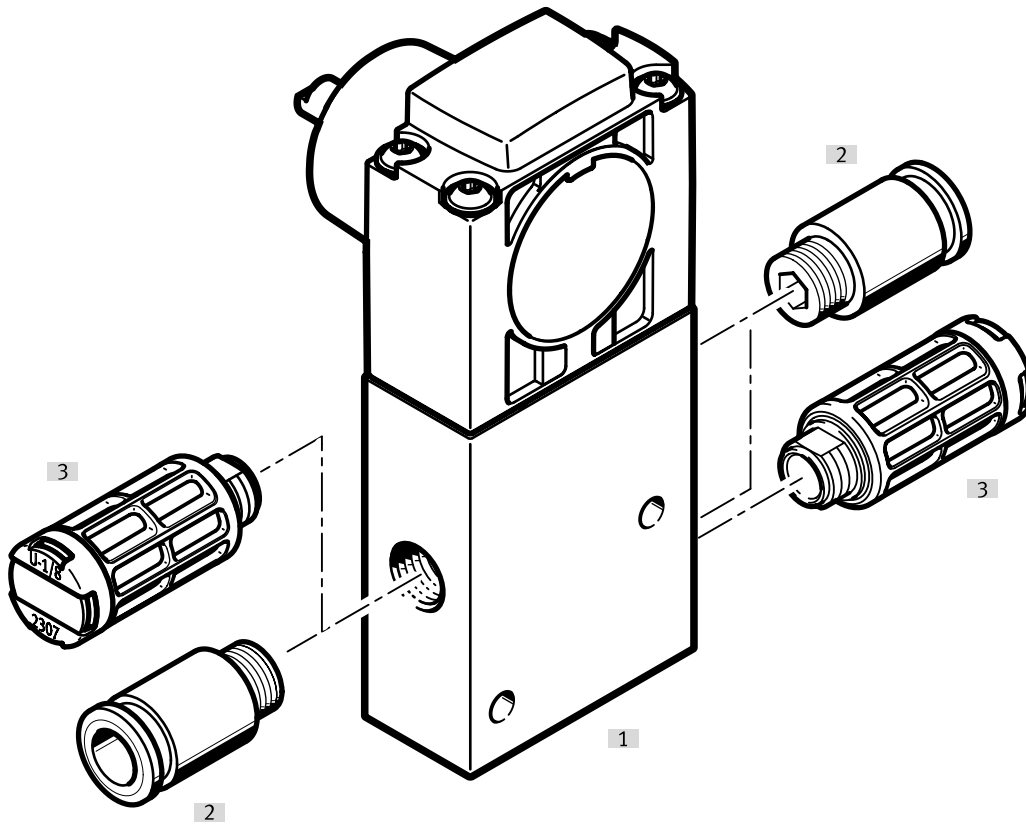
Peripherals overview, roller lever valve with idle return 5/2



Accessories			→ Page/Internet
Type/order code	Description		
[1] 5/2-way valve	Stem actuated valve with idle return roller lever attachment		vmef
[2] Fitting	For working air/exhaust air connections (1, 3, 5) and working connections (2, 4)		37
[3] Silencer	For exhaust air connections (3, 5)		37

Peripherals

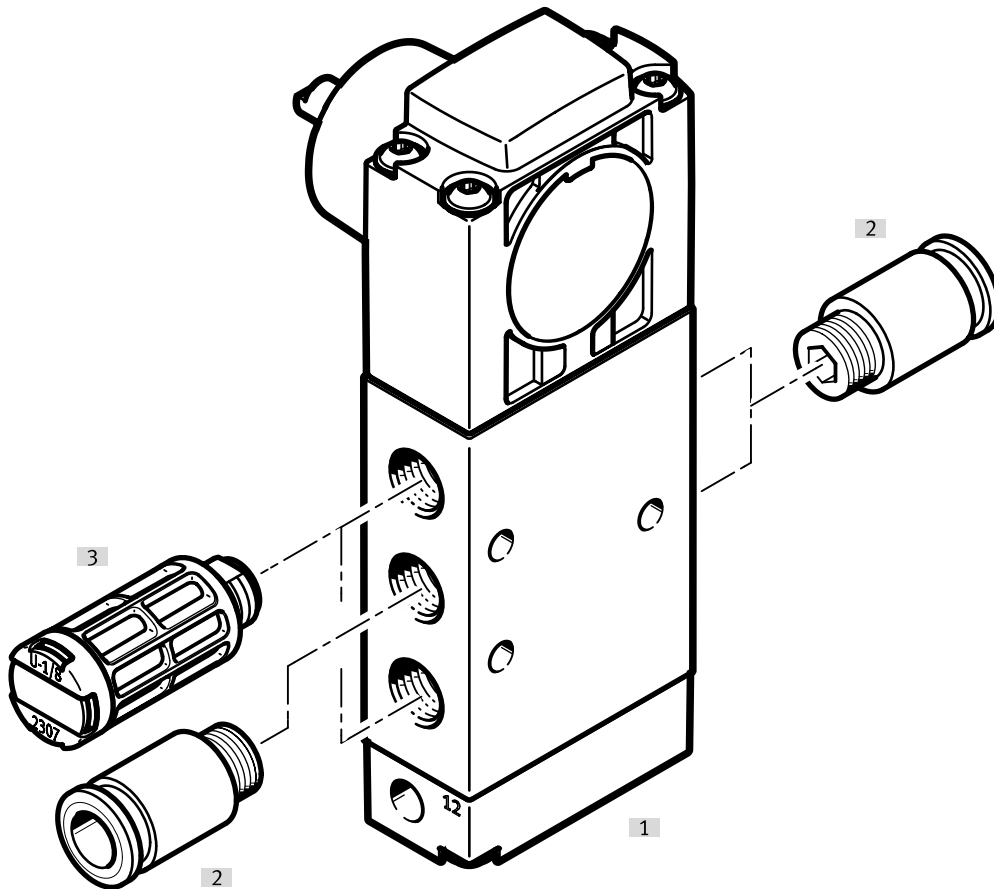
Peripherals overview, swivel lever valve 3/2



Accessories		→ Page/Internet
Type/order code	Description	
[1] 3/2-way valve	Swivel lever valve	vmef
[2] Fitting	For working air/exhaust air ports (1, 3, 5) and working ports (2, 4)	37
[3] Silencer	For exhaust ports (3, 5)	37

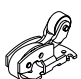
Peripherals


Peripherals overview, swivel lever valve 5/2




Accessories			→ Page/Internet
Type/order code	Description		
[1] 5/2-way valve	Swivel lever valve		vmef
[2] Fitting	For working air/exhaust air ports (1, 3, 5) and working ports (2, 4)		37
[3] Silencer	For exhaust ports (3, 5)		37

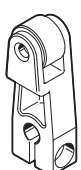
Accessories


Roller lever, for 3/2-way valves, with retaining screws				
	Type of mounting	Part no.	Type	
	Screw-clamped	8049235	VAOM-R4-20-D1-32	


Roller lever, for 5/2-way valves, with retaining screws				
	Type of mounting	Part no.	Type	
	Screw-clamped	8049233	VAOM-R4-20-D1-52	

Roller lever with idle return, for 3/2-way valves, with retaining screws				
	Type of mounting	Part no.	Type	
	Screw-clamped	8049237	VAOM-R4-20-D2-32	

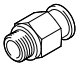
Roller lever with idle return, for 5/2-way valves, with retaining screws				
	Type of mounting	Part no.	Type	
	Screw-clamped	8049236	VAOM-R4-20-D2-52	

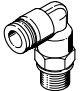
Short swivel lever				
	Product weight	Part no.	Type	
	30 g	5835	ASK-02	
		4789	ASS-02	
	35 g	5836	ASL-02	

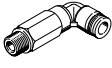
Push-in fitting, straight, with internal hexagon					
	Pneumatic connection, port 1	Pneumatic connection, port 2	Packaging unit [units]	Part no.	Type
	Male thread M5	For tubing outside diameter of 4 mm	10	★ 153315	QSM-M5-4-I
	Male thread G1/4	For tubing outside diameter of 6 mm		★ 186108	QS-G1/4-6-I
		For tubing outside diameter of 8 mm		★ 186110	QS-G1/4-8-I
		For tubing outside diameter of 10 mm		★ 186112	QS-G1/4-10-I


Push-in fitting, straight, with external hexagon					
	Pneumatic connection, port 1	Pneumatic connection, port 2	Packaging unit [units]	Part no.	Type
	Male thread M5	For tubing outer diameter of 3 mm	10	153302	QSM-M5-3


Accessories

Push-in fitting, straight, with external hexagon					
	Pneumatic connection, port 1	Pneumatic connection, port 2	Packaging unit [units]	Part no.	Type
	Male thread M5	For tubing outside diameter of 4 mm	10	★ 153304	QSM-M5-4
		For tubing outside diameter of 6 mm		★ 153306	QSM-M5-6
	Male thread G1/8	For tubing outside diameter of 4 mm		★ 186095	QS-G1/8-4
		For tubing outside diameter of 6 mm		★ 186096	QS-G1/8-6
	Male thread G1/4	For tubing outside diameter of 6 mm		★ 186097	QS-G1/4-6
		For tubing outside diameter of 8 mm		★ 186099	QS-G1/4-8
		For tubing outside diameter of 10 mm		★ 186101	QS-G1/4-10
		For tubing outer diameter of 12 mm		★ 186350	QS-G1/4-12

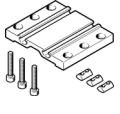
Push-in fitting, angled, with external hexagon					
	Pneumatic connection, port 1	Pneumatic connection, port 2	Packaging unit [units]	Part no.	Type
	Male thread G1/8	For tubing outside diameter of 4 mm	10	★ 186116	QSL-G1/8-4
			100	132048	QSL-G1/8-4-100
		For tubing outside diameter of 6 mm	10	★ 186117	QSL-G1/8-6
			100	132049	QSL-G1/8-6-100
		For tubing outside diameter of 8 mm	10	★ 186119	QSL-G1/8-8
			50	132050	QSL-G1/8-8-50
	Male thread G1/4	For tubing outside diameter of 8 mm	10	★ 186120	QSL-G1/4-8
			50	132052	QSL-G1/4-8-50
		For tubing outside diameter of 10 mm	10	★ 186122	QSL-G1/4-10
			50	132053	QSL-G1/4-10-50
		For tubing outer diameter of 12 mm	10	★ 186351	QSL-G1/4-12
			20	132054	QSL-G1/4-12-20

Push-in fitting, angled, long, with external hexagon					
	Pneumatic connection, port 1	Pneumatic connection, port 2	Packaging unit [units]	Part no.	Type
	Male thread G1/8	For tubing outside diameter of 4 mm	10	186127	QSL-G1/8-4
			100	133015	QSL-G1/8-4-100
		For tubing outside diameter of 6 mm	10	★ 186128	QSL-G1/8-6
			100	133016	QSL-G1/8-6-100
		For tubing outside diameter of 8 mm	10	★ 186130	QSL-G1/8-8
			100	133017	QSL-G1/8-8-100

Silencer, polymer				
	Pneumatic connection	Product weight	Part no.	Type
	G1/8	2.3 g	★ 2307	U-1/8
			534222	U-1/8-50
	G1/4	7.7 g	★ 2316	U-1/4
			534223	U-1/4-20

Silencer, metal				
	Pneumatic connection	Product weight	Part no.	Type
	G1/8	8 g	6841	U-1/8-B
	G1/4	17 g	6842	U-1/4-B

Accessories

Mounting kit for switching point adjustment			
	Product weight	Part no.	Type
	70 g	8060046	VAME-R4-20-PA