

Linear drives DGC-HD, with heavy-duty guide

FESTO



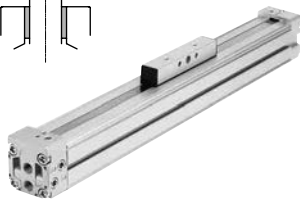
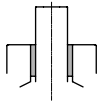
Key features

At a glance

- New heavy-duty design for:
 - Very high loads and torques thanks to duo rail guide
 - Long service life
- Ideal as a basic axis for linear gantries and cantilever axes
- In addition to its technical data, the linear drive also offers an excellent price/performance ratio
- Space-saving position sensing possible via proximity sensor in the profile slot
- Wide range of options for mounting on drives

Guide variants

Compact design DGC-K



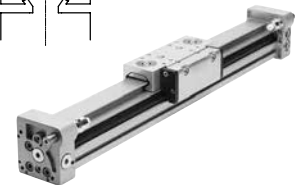
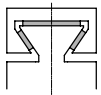
- Piston diam. 18 ... 80 mm
- Stroke lengths from 1 ... 8500 mm
- 30% narrower than the DGC-G
- Low moving dead weight
- Symmetrical design

Basic design DGC-G



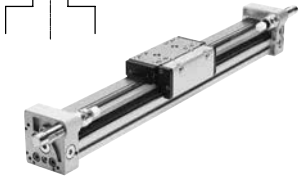
- Piston diam. 8 ... 63 mm
- Stroke lengths from 1 ... 8500 mm
- Guide backlash = 0.2 mm
- For small loads
- Operating behaviour under torque load = average

Plain-bearing guide DGC-GF



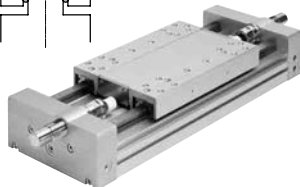
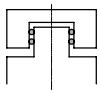
- Piston diam. 18 ... 63 mm
- Stroke lengths from 1 ... 8500 mm
- Guide backlash = 0.05 mm
- For small and medium loads
- Operating behaviour under torque load = average

Recirculating ball bearing guide DGC-KF



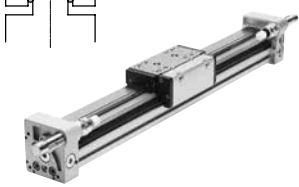
- Piston diam. 8 ... 63 mm
- Stroke lengths from 1 ... 8500 mm
- Guide backlash = 0 mm
- For medium and large loads
- Precision mounting interface with stainless steel slide
- Operating behaviour under torque load = very good

Heavy-duty guide DGC-HD



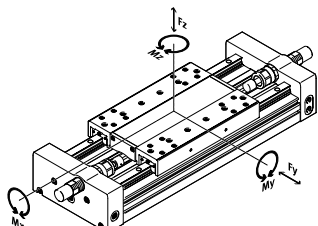


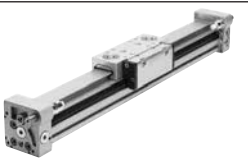

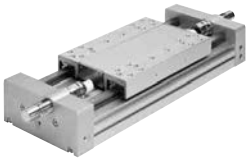
- Piston diam. 18, 25, 40 mm
- Stroke lengths from 10 ... 5000 mm
- Guide backlash = 0 mm
- For large loads
- Operating behaviour under torque load = very good

Guide axis DGC-FA

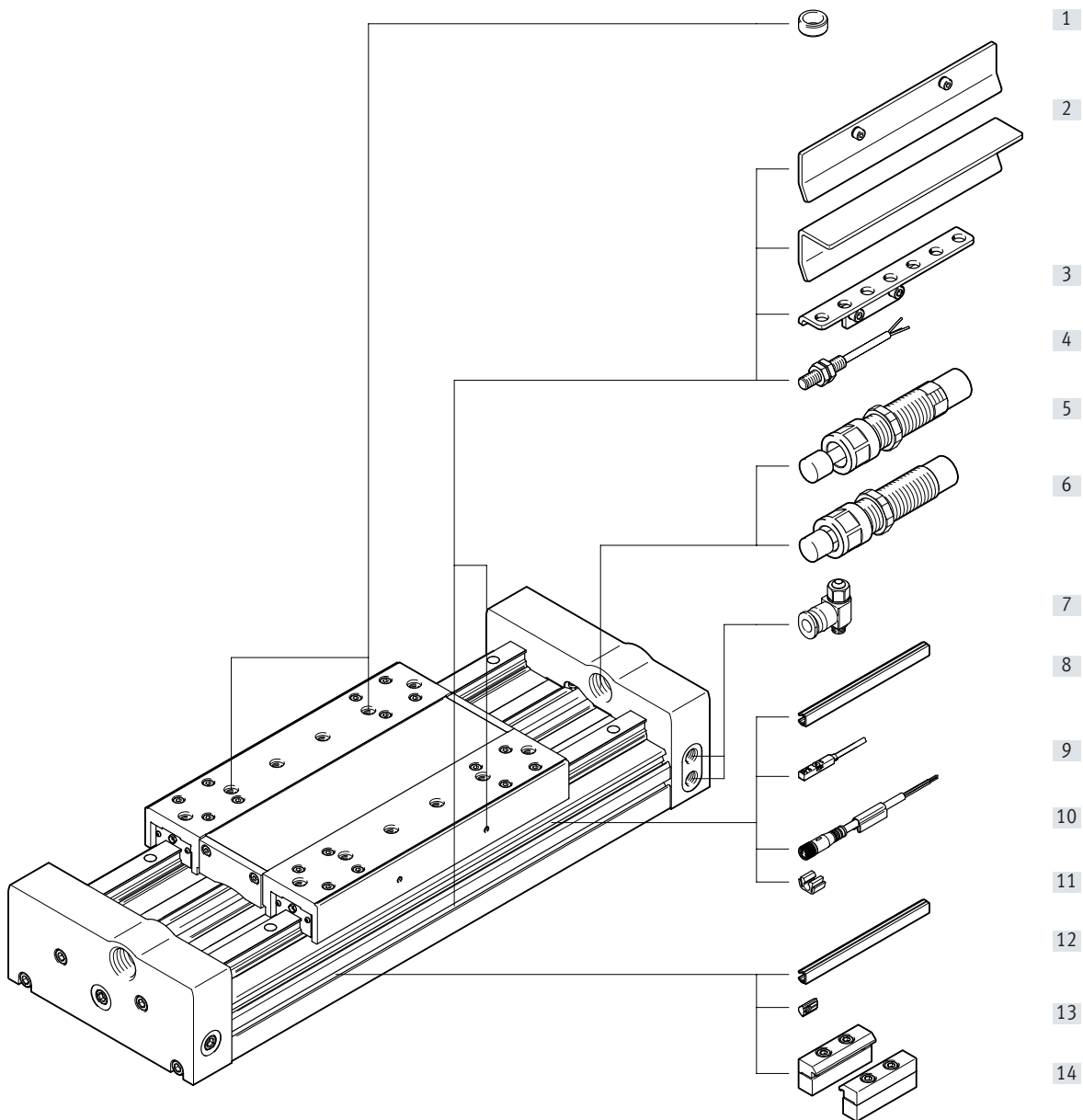


- Without drive
- Piston diam. 8 ... 63 mm
- Stroke lengths from 1 ... 8500 mm
- Guide backlash = 0 mm
- Precision guide, suitable for the DGC-KF. Can be used as machine component or as a twin guide with the DGC-KF

Product range overview

Product variants								
	Piston diameter [mm]	Theoretical force at 6 bar [N]	Guide characteristics					→ Page/ Internet
			F_y [N]	F_z [N]	M_x [Nm]	M_y [Nm]	M_z [Nm]	
								
Compact design DGC-K								
	18	153	–	120	0.8	11	1	dgc-k
	25	295	–	330	1.2	20	3	
	32	483	–	480	1.9	40	5	
	40	754	–	800	3.8	60	8	
	50	1178	–	1200	6	120	15	
	63	1870	–	1600	5.7	150	24	
	80	3016	–	2500	30.6	400	100	
Basic design DGC-G								
	8	30	150	150	0.5	2	2	dgc
	12	68	300	300	1.3	5	5	
	18	153	70	340	1.9	12	4	
	25	295	180	540	4	20	5	
	32	483	250	800	9	40	12	
	40	754	370	1100	12	60	25	
	50	1178	480	1600	20	150	37	
	63	1870	650	2000	26	150	48	
Plain-bearing guide DGC-GF								
	18	153	440	540	3.4	20	8.5	dgc
	25	295	640	1300	8.5	40	20	
	32	483	900	1800	15	70	33	
	40	754	1380	2000	28	110	54	
	50	1178	1500	2870	54	270	103	
	63	1870	2300	4460	96	450	187	
Recirculating ball bearing guide DGC-KF								
	8	30	300	300	1.7	4.5	4.5	dgc
	12	68	650	650	3.5	10	10	
	18	153	1850	1850	16	51	51	
	25	295	3050	3050	36	97	97	
	32	483	3310	3310	54	150	150	
	40	754	6890	6890	144	380	380	
	50	1178	6890	6890	144	634	634	
	63	1870	15200	15200	529	1157	1157	
Heavy-duty guide DGC-HD								
	18	153	3650	3650	140	275	275	4
	25	295	5600	5600	300	500	500	
	40	754	13000	13000	900	1450	1450	

Peripherals overview



Peripherals overview

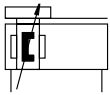
Accessories			
	Type/order code	Description	→ Page/Internet
[1]	Centring sleeve ZBH	<ul style="list-style-type: none"> For centring loads and attachments on the slide 2 centring pins/sleeves included in the scope of delivery of the drive 	20
[2]	Switch lug X, Z, O, P, W, R	For sensing the slide position	18
[3]	Sensor bracket O, P, W, R	Adapter for mounting the inductive proximity sensors (round design) on the drive	19
[4]	Proximity sensor, M8 O, P, W, R	<ul style="list-style-type: none"> Inductive, round design The order code O, P, W, R includes 1 switch lug and 2 sensor brackets in the scope of delivery 	21
[5]	Shock absorber YSR	Linear shock absorber, self-adjusting	20
[6]	Shock absorber YSRW	Progressive shock absorber, self-adjusting	20
[7]	One-way flow control valve GRLA	For regulating speed	20
[8]	Slot cover S	<ul style="list-style-type: none"> For sensor slot For protecting against contamination and securing the proximity sensor cable 	20
[9]	Proximity sensor, T-slot X, Z	<ul style="list-style-type: none"> Inductive, for T-slot The order code X, Z includes 1 switch lug in the scope of delivery 	21
[9]	Proximity sensor, T-slot I, J, N, G, H	Magneto-resistive, magnetic reed, for T-slot	20
[10]	Connecting cable V	For proximity sensor (order code W and R)	21
[11]	Clip SMBK	For mounting the proximity sensor cable in the slot	20
[12]	Slot cover B	For protection against contamination	20
[13]	Slot nut Y	<ul style="list-style-type: none"> For mounting slot For mounting attachments 	20
[14]	Profile mounting M	For mounting the drive on the profile	18

Type codes

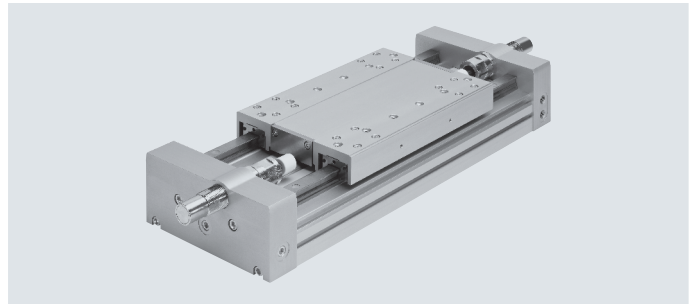
001	Series	
DGC	Linear drive	
002	Function	
	Double-acting	
003	Piston diameter	
18	18	
25	25	
40	40	
004	Stroke	
...	1 ... 5000	
005	Guide	
HD	Heavy-duty guide	
006	Cushioning	
Y3	Shock absorber, self-adjusting, progressive, at both ends	
Y9	Shock absorber, self-adjusting, linear, at both ends	
007	Slide	
	Standard	
GP	Protected recirculating ball bearing guide	
008	Additional slide left	
	None	
KL	Additional slide, standard, left	
009	Additional slide, right	
	None	
KR	Additional slide standard, right	
010	Accessories	
	None	
ZUB-	Accessories supplied loose	
011	Profile mounting	
	None	
...M	1 - 50 pieces	
012	Mounting slot covering	
	None	
...B	1 ... 50 pieces	
013	Cover, sensor slot	
	None	
...S	1 ... 50 pieces	
014	Slot nut, mounting slot	
	Without	
...Y	1 ... 99 pieces	



015	Proximity sensor, inductive, slot 8, PNP, N/O contact, cable 7.5 m	
	None	
...X	1 ... 9 pieces	
016	Proximity sensor, inductive, slot 8, PNP, N/C contact, cable 7.5 m	
	None	
...Z	1 ... 9 pieces	
017	Proximity sensor, inductive, M8, PNP, N/O contact, cable 2.5 m	
	None	
...O	1 ... 9 pieces	
018	Proximity sensor, inductive, M8, N/C contact, cable 2.5 m	
	None	
...P	1 ... 9 pieces	
019	Proximity sensor, inductive, M8, PNP, N/O contact, M8 plug	
	None	
...W	1 ... 9 pieces	
020	Proximity sensor, inductive, M8, PNP, N/C contact, M8 plug	
	None	
...R	1 ... 9 pieces	
021	Connecting cable, M8, 2.5 m	
	None	
...V	1 ... 9 pieces	
022	Proximity switch, contactless, cable 2.5 m	
	None	
...I	1 ... 9 pieces	
023	Proximity switch, contactless, plug M8	
	None	
...J	1 ... 9 pieces	
024	Proximity sensor, N/C contact, cable 2.5	
	None	
...N	1 ... 9 pieces	
025	Proximity sensor, magnetic reed, N/O contact, cable 2.5 m, can be inserted into slot from above	
	None	
...G	1 ... 9 pieces	
026	Proximity sensor, magnetic reed, N/O contact, plug M8, can be inserted into slot from above	
	None	
...H	1 ... 9 pieces	

Data sheet



www.festo.com



-  Diameter
18 ... 40 mm
-  Stroke length
10 ... 5000 mm

General technical data				
Piston diameter		18	25	40
Design	Pneumatic linear drive with heavy-duty guide			
Guide	Recirculating ball bearing guide			
Mode of operation	Double-acting			
Stroke	[mm]	10 ... 3000	10 ... 5000	10 ... 3500
Pneumatic connection		M5	G1/8	G1/4
Cushioning → page 10				
DGC...-YSR	Linear shock absorber, self-adjusting			
DGC...-YSRW	Progressive shock absorber, self-adjusting			
Max. speed	[m/s]	3		
Position sensing	For proximity sensor			
Type of mounting	Profile mounting			
Mounting position	Any			

Operating and environmental conditions				
Piston diameter		18	25	40
Operating pressure	[bar]	2.5 ... 8	1.5 ... 8	
Operating medium	Compressed air to ISO 8573-1:2010 [7:-:-]			
Note on operating/pilot medium	Lubricated operation possible (in which case lubricated operation will always be required)			
Ambient temperature ¹⁾	[°C]	-10 ... +60		

1) Note operating range of proximity sensors

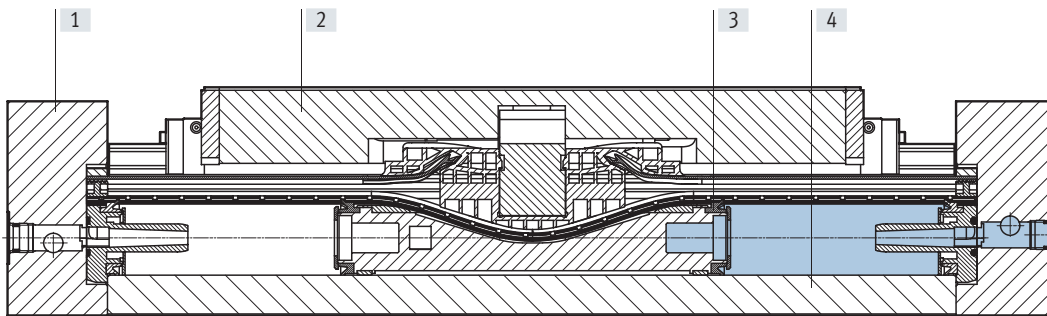
Forces [N]				
Piston diameter		18	25	40
Theoretical force at 6 bar		153	295	754

Data sheet

Weight [g]			
Piston diameter	18	25	40
Basic weight with 0 mm stroke	3987	7509	20469
Additional weight per 10 mm stroke	71	105	199
Moving mass	1057	2246	6178

Materials

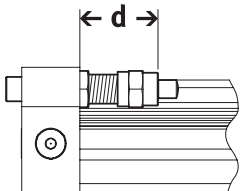
Sectional view



Linear drives

[1] End cap	Anodised aluminium
[2] Slide	Anodised aluminium
[3] Sealing band/cover strip	PU/steel
[4] Cylinder barrel	Anodised aluminium
- Seal	NBR, TPE-U(PU)
Note on materials	RoHS-compliant Contains paint-wetting impairment substances

Adjustable end-position range d [mm]

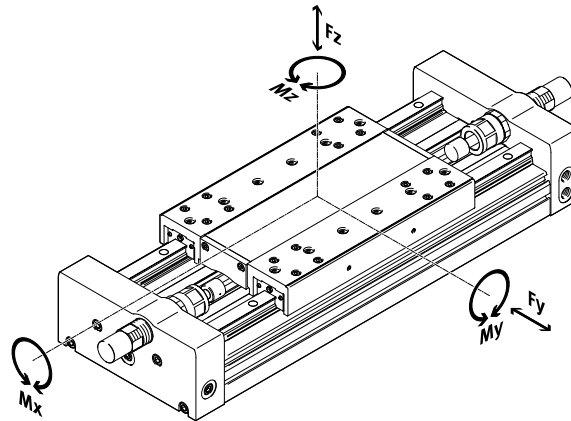


Piston diameter	18	25	40
DGC-...-HD	27.3 ... 52.3	31 ... 56	41 ... 76

Data sheet

Characteristic load values

The indicated forces and torques refer to the slide surface. The point of application of force is the point where the centre of the guide and the longitudinal centre of the slide intersect. These values must not be exceeded during dynamic operation. Special attention must be paid to the deceleration phase.



If the drive is simultaneously subjected to several of the forces and torques indicated below, the following equations must be satisfied in addition to the indicated maximum loads:

$$f_v = \frac{|F_{y1}|}{F_{y2}} + \frac{|F_{z1}|}{F_{z2}} + \frac{|M_{x1}|}{M_{x2}} + \frac{|M_{y1}|}{M_{y2}} + \frac{|M_{z1}|}{M_{z2}} \leq 1$$

F1/M1 = dynamic value

F2/M2 = maximum value

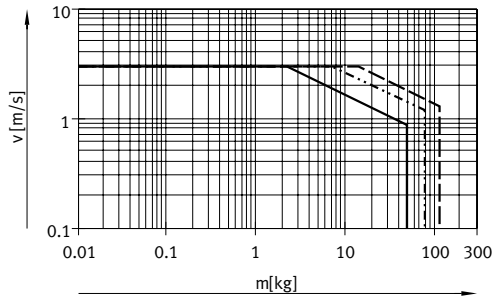
Permissible forces and torques		18	25	40
Piston diameter				
$F_{y_{max}}$	[N]	3650	5600	13000
$F_{z_{max}}$	[N]	3650	5600	13000
$M_{x_{max}}$	[Nm]	140	300	900
$M_{y_{max}}$	[Nm]	275	500	1450
$M_{z_{max}}$	[Nm]	275	500	1450

Data sheet

Maximum permissible piston speed v as a function of payload m and distance r_{max} from centre of mass

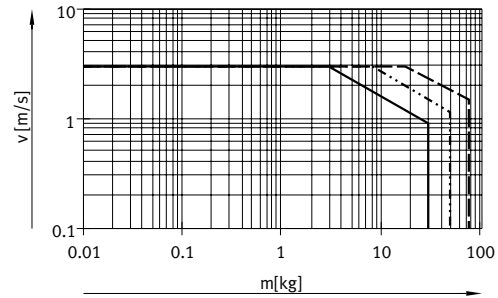
These specifications represent the maximum values that can be achieved.
In practice, these values can fluctuate dependent on the position of the payload and mounting position.

With YSR cushioning



- DGC-18-HD
- DGC-25-HD
- - - DGC-40-HD

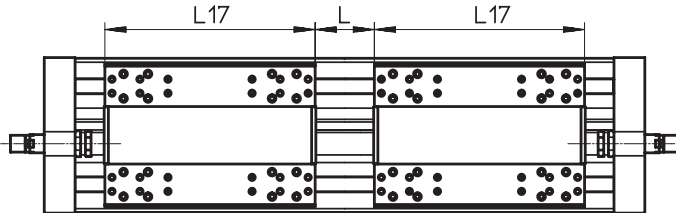
With YSRW cushioning



Working stroke reduction

For standard slide with additional slide KL or KR

- For a linear drive with additional slide, the working stroke is reduced by the length of the additional slide L17 and the distance between both slides L



Example:

Type: DGC-25-1000-HD-...-KR

L18 = 100 mm

Working stroke = 1000 mm – 220 mm – 100 mm = 680 mm

L17 = length of slide

L17 = length of additional slide

L = distance between the slides

Dimensions – Additional slide

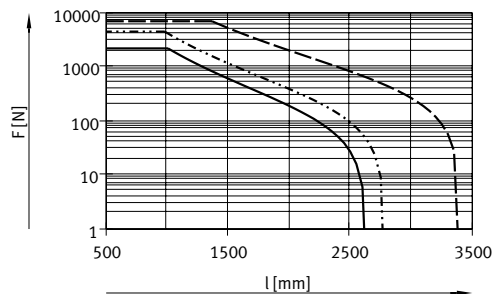
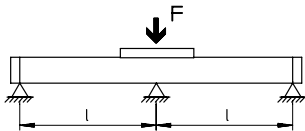
Piston diameter		18	25	40
Length L17	[mm]	202	222	302

Data sheet

Number of central supports MUP as a function of weight force F and distance l between supports

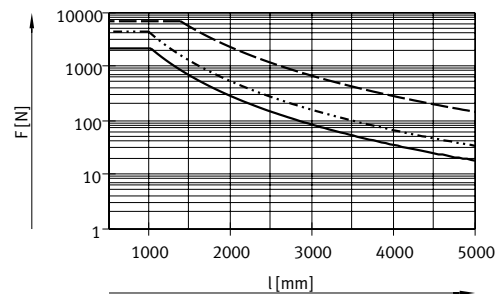
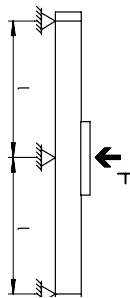
The drive may need to be supported to limit the deflection in the case of large strokes. The following graphs are provided to determine the maximum permissible distance between supports as a function of the mounting position and the applied weight and normal forces.

Mounting position
Horizontal



— DGC-18-HD
 DGC-25-HD
 - - - DGC-40-HD

Vertical



Example:

The drive DGC-25-1500-HD is subjected to a force of 200 N in a horizontal mounting position.

The drive has an overall length of:

$$\begin{aligned}
 l &= \text{stroke length} + L1 \text{ (see dimensions)} \\
 &= 1500 \text{ mm} + 351.5 \text{ mm} \\
 &= 1851.5 \text{ mm}
 \end{aligned}$$

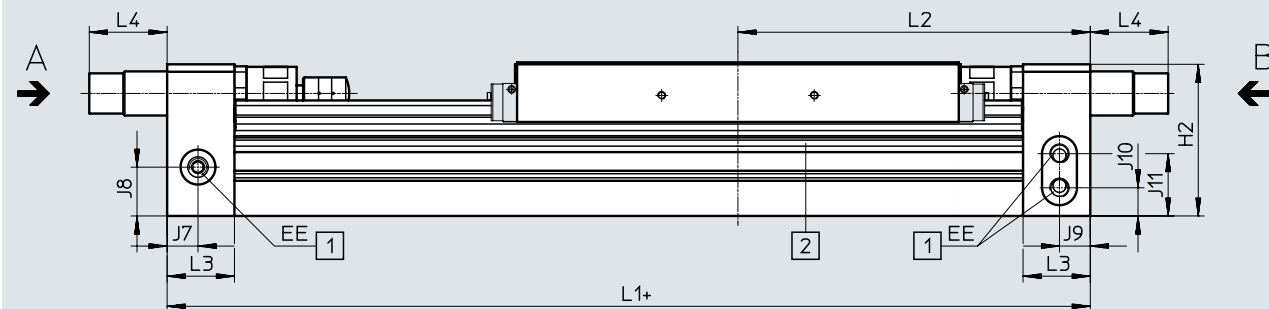
According to the graph, the max. distance between supports for the drive DGC-25-HD with a force of 200 N is 1800 mm.

In this example, profile mountings are required as the max. distance between supports (1800 mm) is smaller than the overall length of the drive (1851.5 mm).

Data sheet

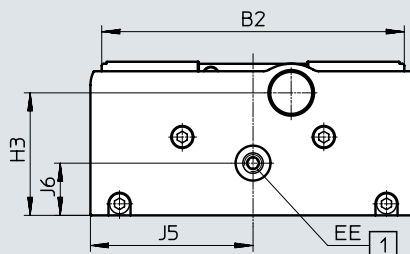
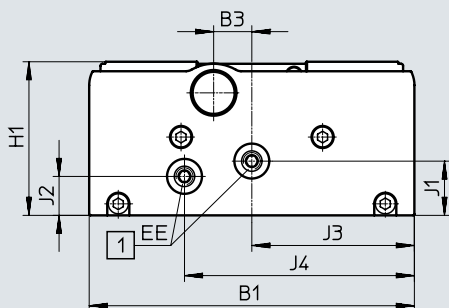
Dimensions

Download CAD data → www.festo.com



View B

View A



+ plus stroke length

[1] Compressed air supply port

[2] Sensor slot for proximity sensor

∅	B1	B2	B3	EE	H1	H2	H3
[mm]							
18	124	120	10	M5	64	63.1	51.7
25	162	150.7	19	G1/8	76.5	75.5	61
40	222	204	12	G1/4	111.5	109.5	91

∅	J1	J2	J3	J4	J5	J6	J7	J8
[mm]								
18	25.5	15	59	88	59	25.5	14.9	21.6
25	27	19.4	81	114.5	81	26	15.4	24.3
40	43	25	105	157	111	37	25.1	31

∅	J9	J10	J11	L1	L2	L3	L4	
							YSR	YSRW
[mm]								
18	14.9	15	25.6	306.5	153	24.5	34	20.5
25	15.4	14	31	351.5	175.5	33.5	43.8	38.8
40	25.1	23	45	472.5	236	44	48.3	38.3

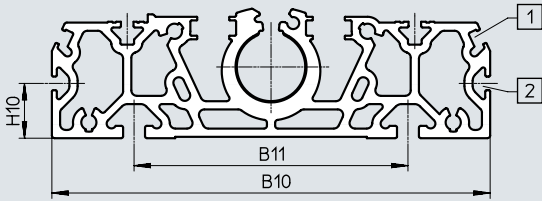
Length tolerance		≤ 1000	≤ 2000	≤ 3000	≤ 4000	≤ 5000
For stroke	[mm]					
L1	[mm]	+0.90	+1.10	+1.40	+1.50	+1.60

Data sheet

Dimensions

Download CAD data → www.festo.com

Profile barrel

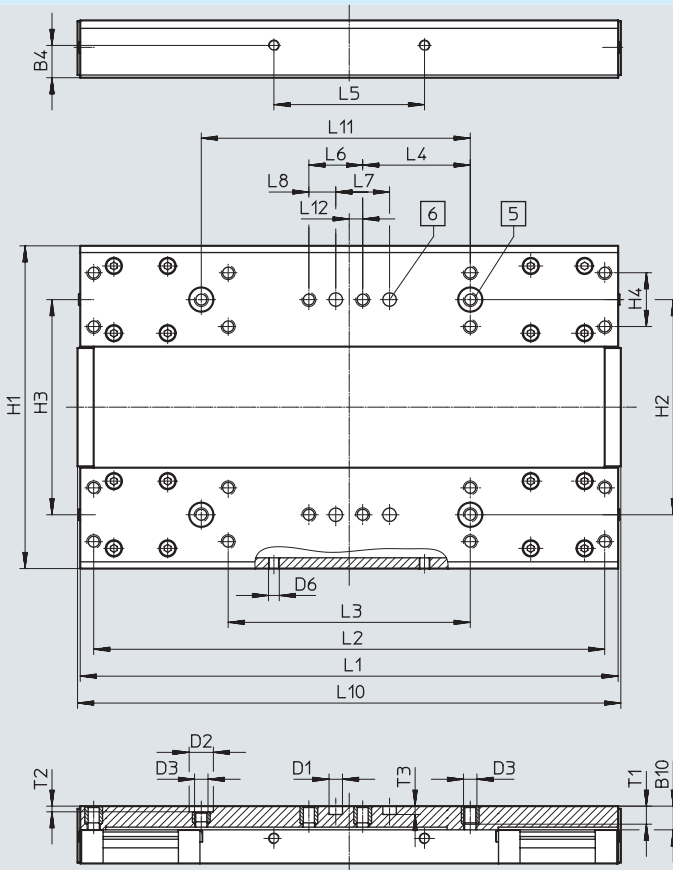


- [1] Sensor slot for proximity sensor
- [2] Mounting slot for slot nut

∅ [mm]	B10	B11	H10
18	122	80	20
25	160	100	20
40	220	140	20

Standard slide

∅ 18



- [5] Drilled hole for centring sleeve ZBH
- [6] Drilled hole for centring pin ZBS

∅ [mm]	B4	B10	D1 ∅ H7	D2 ∅ H7	D3	D6	H1	H2	H3	H4	L1	L2
18	±0.1	8.8	5	9	M5	M4	±0.3	±0.05	±0.1	±0.1	±0.1	±0.2
18	12	8.8	5	9	M5	M4	120	80	80	20	200	190

∅ [mm]	L3	L4	L5	L6	L7	L8	L10	L11	L12	T1	T2	T3
18	±0.2	±0.1	±0.2	±0.1	±0.03	±0.1	±0.03	±0.03	±0.03	±0.1	±0.1	±0.1
18	90	40	56	20	20	10	202	100	5	7.8	2.1	3.1

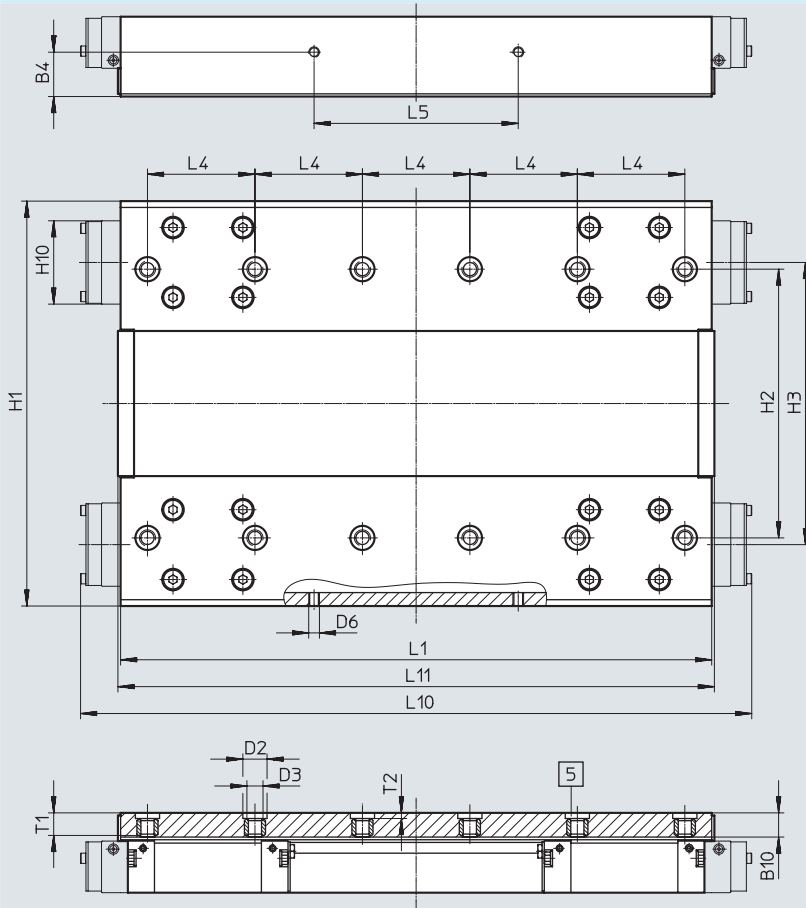
Data sheet

Dimensions

Download CAD data → www.festo.com

Standard slide / GP – Standard slide, protected

∅ 25



[5] Drilled hole for centring sleeve ZBH

∅	B4	B10*	D2	D3	D6	H1	H2	H3
[mm]	±0.1		∅ H7			±0.3	±0.05	
25	16.5	10	9	M6	M4	150.7	100	105
∅	H10*	L1	L4	L5	L10*	L11	T1	T2
[mm]		±0.1	±0.03	±0.1				+0.1
25	31	220	40	76	249.8	222	9	2.1

* Protected version

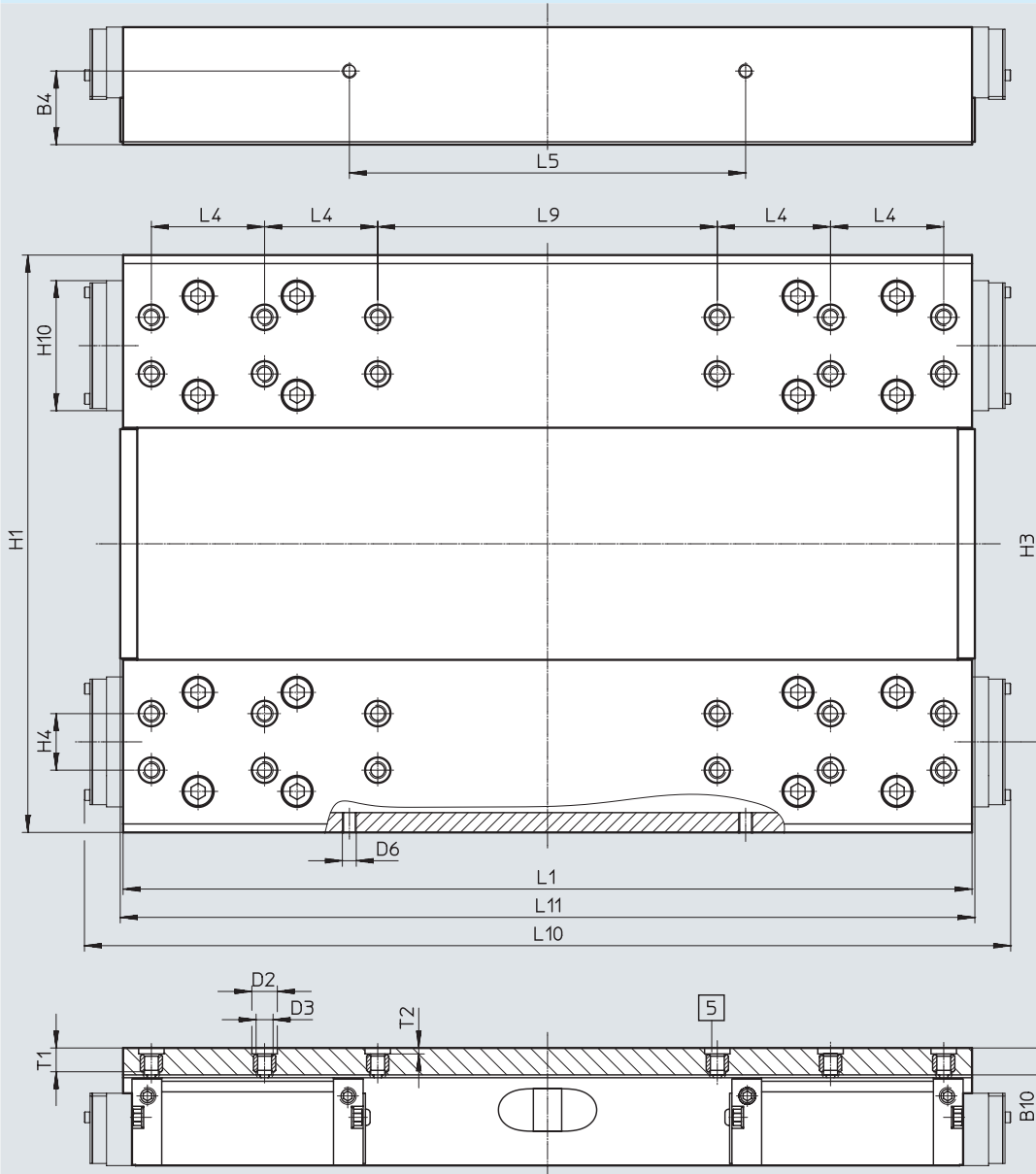
Data sheet

Dimensions

Download CAD data → www.festo.com

Standard slide / GP – Standard slide, protected

∅ 40



[5] Drilled hole for centring sleeve ZBH

∅	B4	B10*	D2 ∅ H7	D3	D6	H1	H3	H4
[mm]	±0.1					±0.3		±0.05
40	26	10.5	9	M6	M5	204	140	20

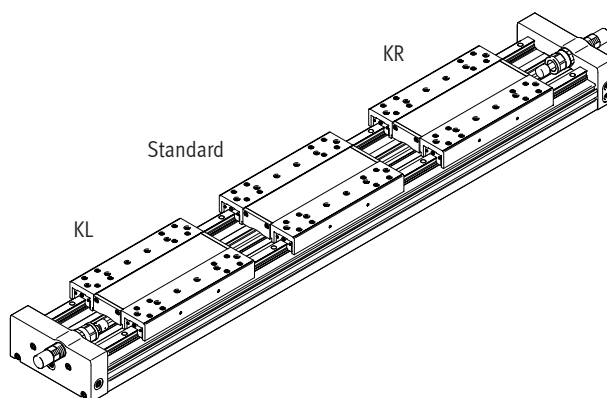
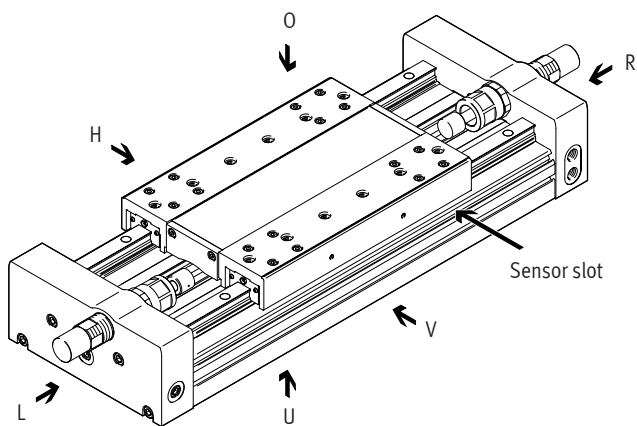
∅	H10*	L1	L4	L5	L9	L10*	L11	T1	T2
[mm]		±0.1	±0.05	±0.1	±0.05				+0.1
40	46	300	40	140	120	327.3	302	9.5	2.1

* Protected version

Ordering data – Modular product system


Order code

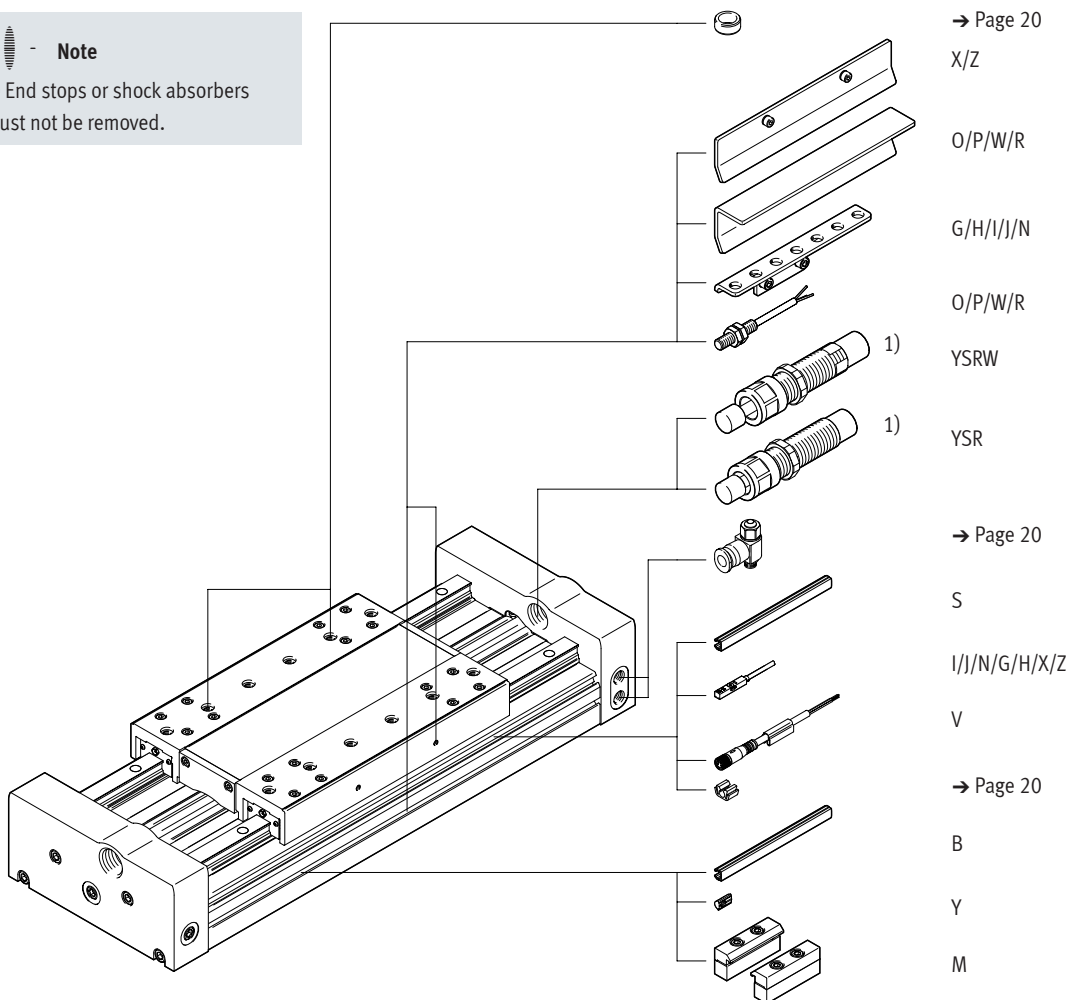
Mandatory data



- | | |
|----------|---------|
| O top | L left |
| U bottom | V front |
| R right | H rear |

Accessories

 **Note**
 1) End stops or shock absorbers must not be removed.



Ordering data – Modular product system

Ordering table					Condi- tions	Code	Enter code
Piston diameter		18	25	40			
Module no.		567547	567548	567549			
Function		Linear drive				DGC	DGC
Piston diameter	[mm]	18	25	40		-...	
Stroke	[mm]	10 ... 3000	10 ... 5000	10 ... 3500		-...	
Guide		Heavy-duty guide				-HD	-HD
Cushioning		Shock absorber, self-adjusting				-YSR	
		Progressive shock absorber, self-adjusting				-YSRW	
Slide		Standard slide					
		-	Standard slide, protected			-GP	
Additional slide		Standard slide, left			[1] [2]	-KL	
		Standard slide, right			[2]	-KR	
Accessories		Supplied loose				ZUB-	ZUB-
Profile mounting		1 ... 50				...M	
Slot cover for the mounting slot		1 ... 50 (1 = 2 pieces, 500 mm length)				...B	
Slot cover for sensor slot		1 ... 50 (1 = 2 pieces, 500 mm length)				...S	
Slot nut for the mounting slot		1 ... 99				...Y	
Proximity sensor (SIES), inductive, slot type 8, PNP, incl. switch lug	N/O contact, 7.5 m cable	1 ... 9				...X	
	N/C contact, 7.5 m cable	1 ... 9				...Z	
Proximity sensor (SIEN), inductive, M8, PNP, incl. switch lug and sensor bracket	N/O contact, 2.5 m cable	1 ... 9				...O	
	N/C contact, 2.5 m cable	1 ... 9				...P	
	N/O contact, M8 plug	1 ... 9				...W	
	N/C contact, M8 plug	1 ... 9				...R	
Connecting cable, M8, 3-wire, 2.5 m		1 ... 9				...V	
Proximity sensor (SMT), magneto-resistive, slot type 8	N/O contact, 2.5 m cable	1 ... 9				...I	
	N/O contact, M8 plug	1 ... 9				...J	
Proximity sensor (SME), magnetic reed, slot type 8	N/C contact, 7.5 m cable	1 ... 9				...N	
	N/O contact, 2.5 m cable	1 ... 9				...G	
	N/O contact, M8 plug	1 ... 9				...H	

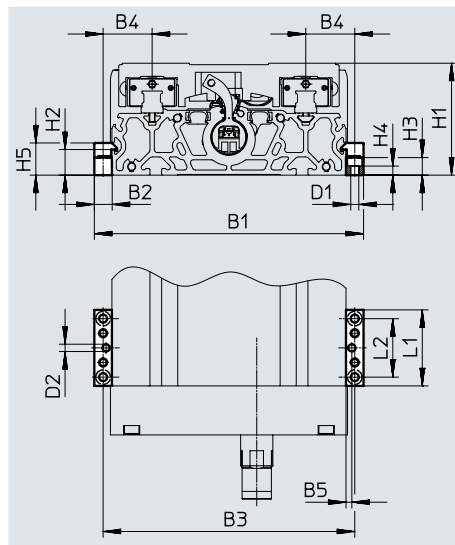
[1] KL Not with additional slide on right KR

[2] KL/KR Not with protected standard slide GP

Accessories

Profile mounting MUE (order code M)

Material:
Anodised aluminium
RoHS-compliant



Dimensions and ordering data

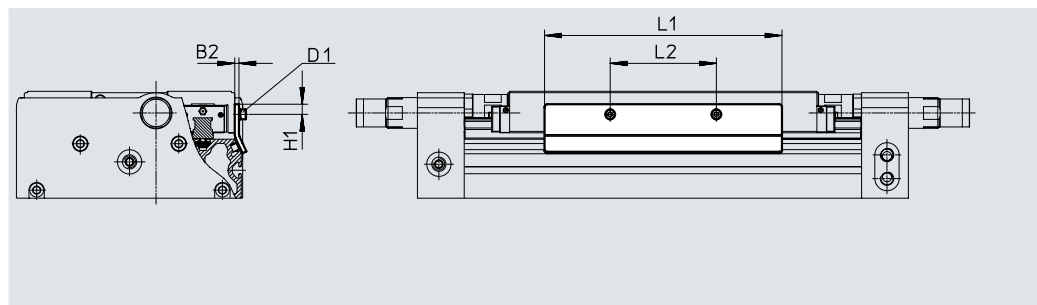
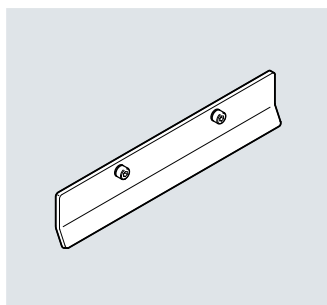
For diam. [mm]	B1	B2	B3	B4	B5	D1 ∅	D2 ∅ H7	H1	H2
18	146	12	134	27	4	5.5	5	64	17.5
25	184	12	172	33.5	4	5.5	5	76.5	17.5
40	258	19	239	49.5	4	9	5	111.5	16

For diam. [mm]	H3	H4	H5	L1	L2	Weight [g]	Part no.	Type
18	12	6.2	22	52	40	80	558043	MUE-70/80
25	12	6.2	22	52	40	80	558043	MUE-70/80
40	14	5.5	29.5	90	40	290	558044	MUE-120/185

Switch lug SF-EGC-HD-1

for sensing via proximity sensor
SIES-8M
(order code X or Z)

Material:
Galvanised steel
RoHS-compliant



Dimensions and ordering data

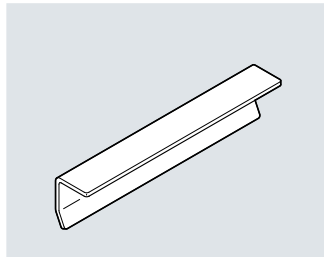
For diam. [mm]	B3	D1	H1	L1	L2	Weight [g]	Part no.	Type
18	2	M4x8	7.8	150	56	70	570027	SF-EGC-HD-1-125
25	3	M4x8	7.3	170	76	160	1645872	SF-EGC-HD-1-160
40	3	M5x10	11.5	250	140	310	1645866	SF-EGC-HD-1-220

Accessories

Switch lug SF-EGC-HD-2

for sensing via proximity sensor
SIEN-M8B (order code O, P, W or R) or
SIES-8M (order code X or Z)

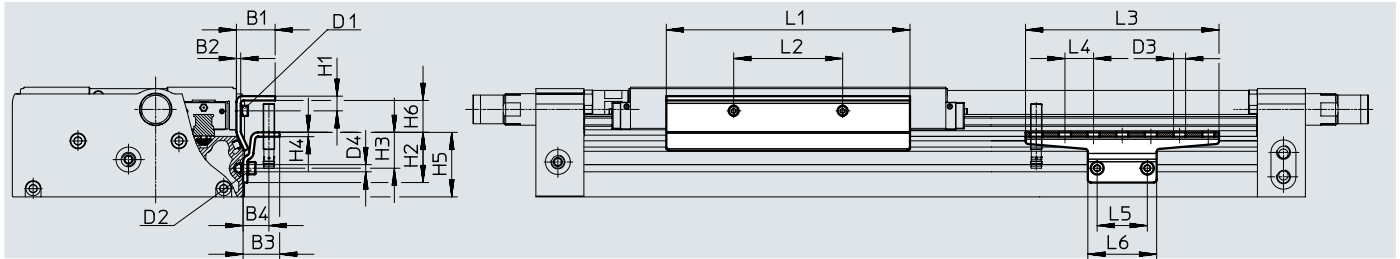
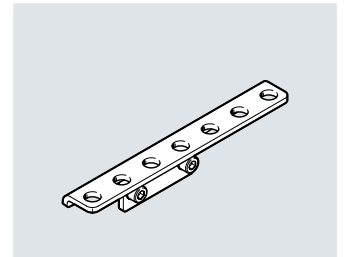
Material:
Galvanised steel
RoHS-compliant



Sensor bracket HWS-EGC

for proximity sensor SIEN-M8B
(order code O, P, W or R)

Material:
Galvanised steel
RoHS-compliant



Dimensions and ordering data



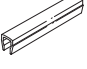

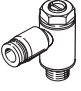
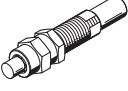
For diam. [mm]	B1	B2	B3	B4	D1	D2	D3 ∅	D4 ∅	H1	H2
18	24	2	25.5	18	M4x8	M5x8	8.4	5.2	9	35
25	27	3	25.5	18	M4x8	M5x8	8.4	5.2	10.3	35
40	31	3	25.5	18	M5x10	M5x14	8.4	5.2	11.5	65

For diam. [mm]	H3	H4	H5	H6	L1	L2	L3	L4	L5	L6
18	25	3	45	14	150	56	135	20	35	48
25	25	3	45	22.2	170	76	135	20	35	48
40	55	3	75	18.4	250	140	215	20	35	48

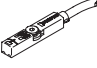
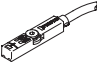
For diam. [mm]	Weight [g]	Part no.	Type
Switch lug			
18	122	570030	SF-EGC-HD-2-125
25	261	1645865	SF-EGC-HD-2-160
40	430	1645868	SF-EGC-HD-2-220

For diam. [mm]	Weight [g]	Part no.	Type
Sensor bracket			
18	110	558057	HWS-EGC-M5
25	110	558057	HWS-EGC-M5
40	217	570365	HWS-EGC-M8-B

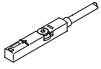
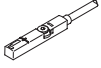
Accessories

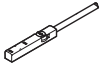
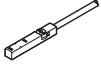
Ordering data		For diam.	Description	Order code	Part no.	Type	PU ¹⁾
Slot nut NST Data sheets → Internet: hmbn							
	18, 25 ³⁾	For mounting slot	Y	150914	NST-5-M5		1
	25 ⁴⁾ , 40			150915	NST-8-M6		
Centring pin/sleeve ZBS/ZBH ²⁾							
	18	For slide	-	150928	ZBS-5		10
	25, 40			8137184	ZBH-9-B		
Slot cover ABP Data sheets → Internet: abp							
	18	For mounting slot	B	151681	ABP-5		2
	25	Each 0.5 m		151680	ABP-5-S		
	40			151682	ABP-8		
	18, 25, 40	For sensor slot Each 0.5 m	S	563360	ABP-5-S1	2	
Clip SMBK							
	18 ... 40	For sensor slot, for mounting the proximity sensor cables	-	534254	SMBK-8		10
One-way flow control valve GRLA Data sheets → Internet: grla							
	18	Metal design	-	193137	GRLA-M5-QS-3-D		1
				193138	GRLA-M5-QS-4-D		
	25			193142	GRLA-1/8-QS-3-D		
				193143	GRLA-1/8-QS-4-D		
	40			193144	GRLA-1/8-QS-6-D		
				193145	GRLA-1/8-QS-8-D		
				193146	GRLA-1/4-QS-6-D		
				193147	GRLA-1/4-QS-8-D		
193148	GRLA-1/4-QS-10-D						
Shock absorber YSRW Data sheets → Internet: ysrw							
	18	Self-adjusting, progressive	YSRW	540351	YSRW-DGC-32-KF		1
	25			1232870	YSRW-DGC-40/50-B		
	40			543069	YSRW-DGC-63		

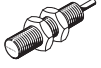

- 1) Packaging unit
- 2) 2 centring pins/sleeves included in the scope of delivery of the drive
- 3) For mounting slot at side
- 4) For mounting slot underneath



Ordering data – Proximity sensors for T-slot, magneto-resistive							Data sheets → Internet: smt
	Type of mounting	Electrical connection	Switching output	Cable length [m]	Order code	Part no.	Type
N/O contact							
	Insertable in the slot from above, flush with the cylinder profile, short design	Cable, 3-wire	PNP	2.5	I	574335	SMT-8M-A-PS-24V-E-2.5-OE
		Plug M8x1, 3-pin		0.3	J	574334	SMT-8M-A-PS-24V-E-0.3-M8D
		Plug M12x1, 3-pin	NPN	0.3	-	574337	SMT-8M-A-PS-24V-E-0.3-M12
		Cable, 3-wire		2.5	-	574338	SMT-8M-A-NS-24V-E-2.5-OE
		Plug M8x1, 3-pin		0.3	-	574339	SMT-8M-A-NS-24V-E-0.3-M8D
N/C contact							
	Insertable in the slot from above, flush with the cylinder profile, short design	Cable, 3-wire	PNP	7.5	-	574340	SMT-8M-A-PO-24V-E-7.5-OE

Accessories

Ordering data – Proximity sensors for T-slot, magnetic reed							Data sheets → Internet: sme
	Type of mounting	Electrical connection	Switching output	Cable length [m]	Order code	Part no.	Type
N/O contact							
	Insertable in the slot from above, flush with the cylinder profile	Cable, 3-wire	Contacting	2.5	G	543862	SME-8M-DS-24V-K-2.5-OE
				5.0	–	543863	SME-8M-DS-24V-K-5.0-OE
		Cable, 2-wire		2.5	–	543872	SME-8M-ZS-24V-K-2.5-OE
		Plug M8x1, 3-pin		0.3	H	543861	SME-8M-DS-24V-K-0.3-M8D
N/C contact							
	Insertable in the slot from above, flush with the cylinder profile	Cable, 3-wire	Contacting	7.5	N	546799	SME-8M-DO-24V-K-7.5-OE

Ordering data – Proximity sensors for T-slot, inductive							Data sheets → Internet: sies
	Type of mounting	Electrical connection	Switching output	Cable length [m]	Order code	Part no.	Type
N/O contact							
	Insertable in the slot from above, flush with the cylinder profile	Cable, 3-wire	PNP	7.5	X	551386	SIES-8M-PS-24V-K-7.5-OE
		Plug M8x1, 3-pin		0.3	–	551387	SIES-8M-PS-24V-K-0.3-M8D
		Cable, 3-wire	NPN	7.5	–	551396	SIES-8M-NS-24V-K-7.5-OE
		Plug M8x1, 3-pin		0.3	–	551397	SIES-8M-NS-24V-K-0.3-M8D
N/C contact							
	Insertable in the slot from above, flush with the cylinder profile	Cable, 3-wire	PNP	7.5	Z	551391	SIES-8M-PO-24V-K-7.5-OE
		Plug M8x1, 3-pin		0.3	–	551392	SIES-8M-PO-24V-K-0.3-M8D
		Cable, 3-wire	NPN	7.5	–	551401	SIES-8M-NO-24V-K-7.5-OE
		Plug M8x1, 3-pin		0.3	–	551402	SIES-8M-NO-24V-K-0.3-M8D

Ordering data – Proximity sensors M8 (round design), inductive							Data sheets → Internet: sien
	Electrical connection	LED	Switching output	Cable length [m]	Order code	Part no.	Type
N/O contact							
	Cable, 3-wire	■	PNP	2.5	O	150386	SIEN-M8B-PS-K-L
	Plug M8x1, 3-pin	■	PNP	–	W	150387	SIEN-M8B-PS-S-L
N/C contact							
	Cable, 3-wire	■	PNP	2.5	P	150390	SIEN-M8B-PO-K-L
	Plug M8x1, 3-pin	■	PNP	–	R	150391	SIEN-M8B-PO-S-L

Ordering data – Connecting cables					Data sheets → Internet: nebu
	Electrical connection, left	Electrical connection, right	Cable length [m]	Part no.	Type
	Straight socket, M8x1, 3-pin	Cable, open end, 3-wire	2.5	541333	NEBU-M8G3-K-2.5-LE3
			5	541334	NEBU-M8G3-K-5-LE3
	Straight socket, M12x1, 5-pin	Cable, open end, 3-wire	2.5	541363	NEBU-M12G5-K-2.5-LE3
			5	541364	NEBU-M12G5-K-5-LE3
	Angled socket, M8x1, 3-pin	Cable, open end, 3-wire	2.5	541338	NEBU-M8W3-K-2.5-LE3
			5	541341	NEBU-M8W3-K-5-LE3
	Angled socket, M12x1, 5-pin	Cable, open end, 3-wire	2.5	541367	NEBU-M12W5-K-2.5-LE3
			5	541370	NEBU-M12W5-K-5-LE3

Festo - Your Partner in Automation



1 Festo Inc.
5300 Explorer Drive
Mississauga, ON L4W 5G4
Canada

Festo Customer Interaction Center
Tel: 1 877 463 3786
Fax: 1 877 393 3786
Email: customer.service.ca@festo.com



2 Festo Pneumatic
Av. Ceylán 3,
Col. Tequesquináhuac
54020 Tlalneantla,
Estado de México

Multinational Contact Center
01 800 337 8669
ventas.mexico@festo.com



3 Festo Corporation
1377 Motor Parkway
Suite 310
Islandia, NY 11749

Festo Customer Interaction Center
1 800 993 3786
1 800 963 3786
customer.service.us@festo.com



4 Regional Service Center
7777 Columbia Road
Mason, OH 45040

Connect with us



www.festo.com/socialmedia



www.festo.com

Subject to change