

# Omron Sentech GigE Vision CMOS sensor series

Omron Sentech's brand new updated GigE Vision CMOS series, with new sensors, resolutions, and more.

## Features

- More compact body with updated form factor.
- Updated Pin Outs
- PTP Functionality
- Updated Software Features



## Product Line-Up

Model	Monochrome/Color	Resolution	Frame Rate	Effective Pixels (H*V)	Sensor Size	Cell Size (μm)	Sensor	Lens Mount	General Specifications
STC-MBS43POE	Monochrome	0.4M	265fps	728 x 544	1/2.9	6.9 x 6.9	IMX287	C	
STC-MCS43POE	Color								
STC-MBS163POE	Monochrome	1.6M	69fps	1456 x 1088	1/2.9	3.45 x 3.45	IMX273	C	
STC-MCS163POE	Color								
STC-MBS202POE	Monochrome	2M	54.6fps	1624 x 1440	1/1.7	4.5 x 4.5	IMX430	C	
STC-MCS202POE	Color								
STC-MBS312POE	Monochrome	3.2M	33.4fps	2048 x 1536	1/1.8	3.45 x 3.45	IMX265	C	
STC-MCS312POE	Color								
STC-MBS500POE	Monochrome	5M	21fps	2448 x 2048	2/3	3.45 x 3.45	IMX264	C	
STC-MCS500POE	Color								
STC-MBS1242POE	Monochrome	12M	8.7fps	4000 x 3000	1/1.7	1.85 x 1.85	IMX226	C	Rolling Shutter
STC-MCS1242POE	Color								
STC-MBS2041POE	Monochrome	20M	5.6fps	5472 x 3648	1	2.4 x 2.4	IMX183	C	Rolling Shutter
STC-MCS2041POE	Color								

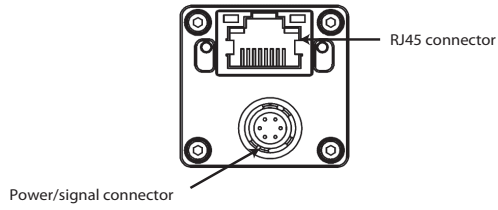
Tripod		
Model	Applicable Model	General Specifications
TP-KWA	GigE Vision M series	
TP-KWA-IEA	GigE Vision M series	Used to set M series with sensor center at same height as that of S series

Note: Ask your Omron representative about AC adapter.

# Omron Sentech GigE Vision

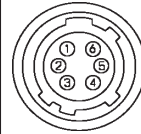
## External Connector Specification

External Link Connector	Ethernet: RJ45, power supply and I/O: HR10A-7R-6PB (Hirose) or equivalent
-------------------------	---



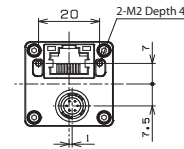
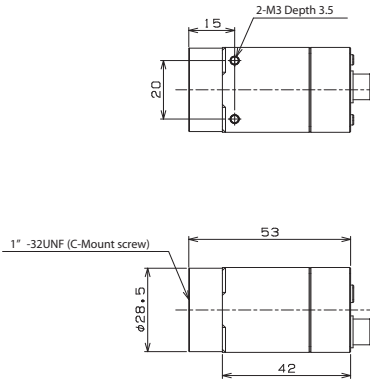
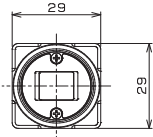
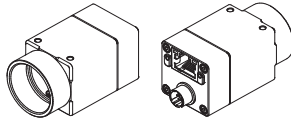
Pin Assignment

Pin No.	Signal name	I/O	Signal voltage
1	POWER IN	IN	10.8 to 26.4 Vdc
2	Isolated input (Line0)	IN	Low: 1.0 V or less High: 3.0 to 26.4 V * Potential difference between isolated input and isolated I/O common
3	Non-isolated I/O (Line2)	IN / OUT	3.0 to 26.4 V/Open Collector
4	Isolated output (Line1)	OUT	Open Collector
5	Isolated I/O common	IN	
6	GND	IN	0 V

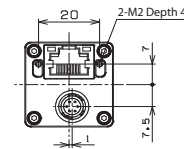
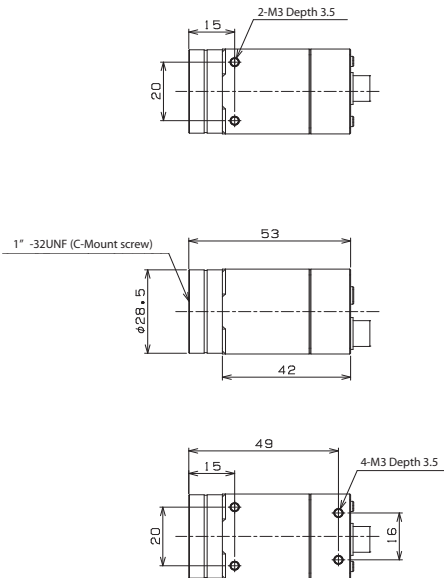
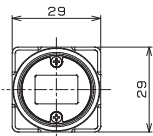
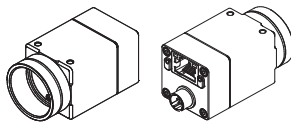


## Drawing dimension

Monochrome



Color



**OMRON AUTOMATION AMERICAS HEADQUARTERS** • Chicago, IL USA • 847.843.7900 • 800.556.6766 • automation.omron.com

**OMRON CANADA, INC. • HEAD OFFICE**

Toronto, ON, Canada • 416.286.6465 • 866.986.6766 • automation.omron.com

**OMRON ELECTRONICS DE MEXICO • HEAD OFFICE**

Ciudad de México • 52.55.5901.4300 • 01.800.386.6766 • mela@omron.com

**OMRON ELECTRONICS DE MEXICO • SALES OFFICE**

San Pedro Garza García, N.L. • 81.12.53.7392 • 01.800.386.6766 • mela@omron.com

**OMRON ELECTRONICS DE MEXICO • SALES OFFICE**

Eugenio Garza Sada, León, Gto • 01.800.386.6766 • mela@omron.com

**OMRON ELETRÔNICA DO BRASIL LTDA • HEAD OFFICE**

São Paulo, SP, Brasil • 55.11.2101.6300 • www.omron.com.br

**OMRON ARGENTINA • SALES OFFICE**

Buenos Aires, Argentina • +54.11.4521.8630 • +54.11.4523.8483  
mela@omron.com

**OTHER OMRON LATIN AMERICA SALES**

+54.11.4521.8630 • +54.11.4523.8483 • mela@omron.com

*Authorized Distributor:*

**Controllers & I/O**

- Machine Automation Controllers (MAC) • Motion Controllers
- Programmable Logic Controllers (PLC) • Temperature Controllers • Remote I/O

**Robotics**

- Industrial Robots • Mobile Robots

**Operator Interfaces**

- Human Machine Interface (HMI)

**Motion & Drives**

- Machine Automation Controllers (MAC) • Motion Controllers • Servo Systems
- Frequency Inverters

**Vision, Measurement & Identification**

- Vision Sensors & Systems • Measurement Sensors • Auto Identification Systems

**Sensing**

- Photoelectric Sensors • Fiber-Optic Sensors • Proximity Sensors
- Rotary Encoders • Ultrasonic Sensors

**Safety**

- Safety Light Curtains • Safety Laser Scanners • Programmable Safety Systems
- Safety Mats and Edges • Safety Door Switches • Emergency Stop Devices
- Safety Switches & Operator Controls • Safety Monitoring/Force-guided Relays

**Control Components**

- Power Supplies • Timers • Counters • Programmable Relays
- Digital Panel Meters • Monitoring Products

**Switches & Relays**

- Limit Switches • Pushbutton Switches • Electromechanical Relays
- Solid State Relays

**Software**

- Programming & Configuration • Runtime