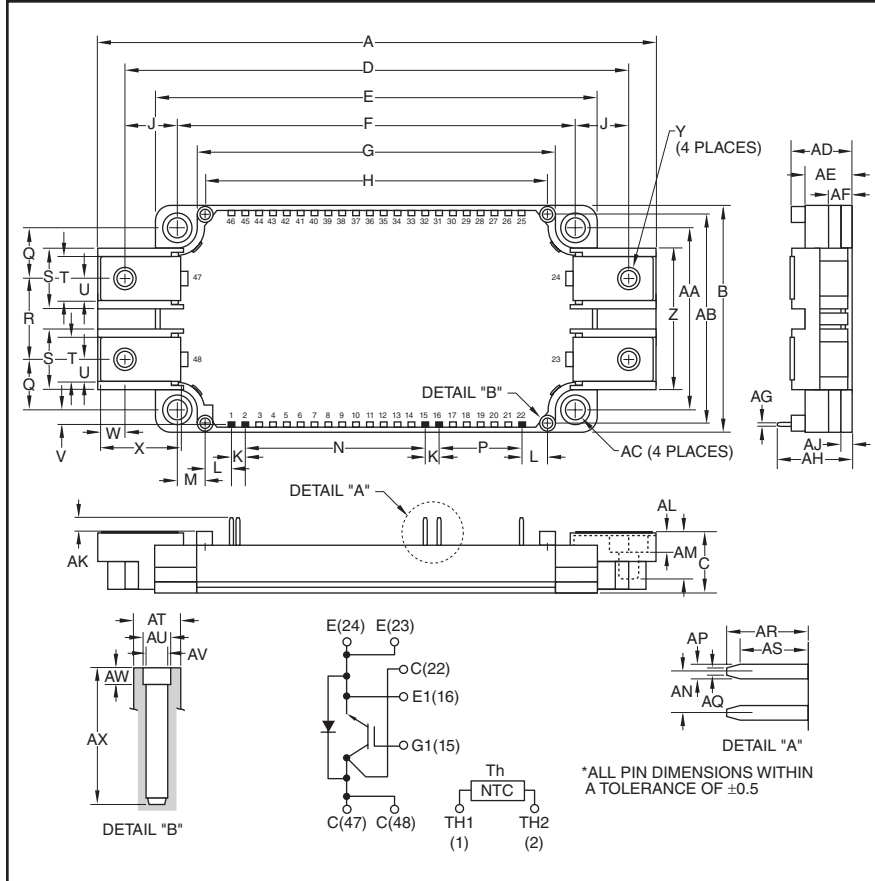


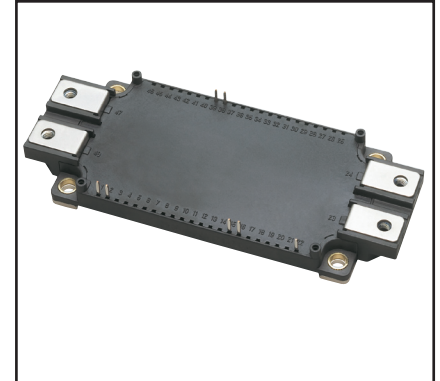
Single IGBTMOD™ NX-Series Module 600 Amperes/600 Volts



Outline Drawing and Circuit Diagram

Dimensions	Inches	Millimeters
A	5.98	152.0
B	2.44	62.0
C	0.67	17.0
D	5.39	137.0
E	4.79	121.7
F	4.33±0.02	110.0±0.5
G	3.89	99.0
H	3.72	94.5
J	0.53	13.5
K	0.15	3.8
L	0.28	7.25
M	0.30	7.75
N	1.95	49.54
P	0.9	22.86
Q	0.55	14.0
R	0.87	22.0
S	0.67	17.0
T	0.48	12.0
U	0.24	6.0
V	0.16	4.2
W	0.37	6.5
X	0.83	21.14
Y	M6	M6

Dimensions	Inches	Millimeters
Z	1.53	39.0
AA	1.97±0.02	50.0±0.5
AB	2.26	57.5
AC	0.22 Dia.	5.5 Dia.
AD	0.67+0.04/-0.02	17.0+1.0/-0.5
AE	0.51	13.0
AF	0.27	7.0
AG	0.03	0.8
AH	0.81	20.5
AJ	0.12	3.0
AK	0.14	3.5
AL	0.21	5.4
AM	0.49	12.5
AN	0.15	3.81
AP	0.05	1.15
AQ	0.025	0.65
AR	0.29	7.4
AS	0.24	6.2
AT	0.17 Dia.	4.3 Dia.
AU	0.10 Dia.	2.5 Dia.
AV	0.08 Dia.	2.1 Dia.
AW	0.06	1.5
AX	0.49	12.5



Description:

Powerex IGBTMOD™ Modules are designed for use in switching applications. Each module consists of one IGBT Transistor in a single configuration with a reverse connected super-fast recovery free-wheel diode. All components and interconnects are isolated from the heat sinking baseplate, offering simplified system assembly and thermal management.

Features:

- Low Drive Power
- Low $V_{CE(sat)}$
- Discrete Super-Fast Recovery Free-Wheel Diode
- Isolated Baseplate for Easy Heat Sinking

Applications:

- AC Motor Control
- Motion/Servo Control
- Photovoltaic/Fuel Cell

Ordering Information:

Example: Select the complete module number you desire from the table below -i.e. CM600HX-12A is a 600V (V_{CES}), 600 Ampere Single IGBTMOD™ Power Module.

Type	Current Rating Amperes	V_{CES} Volts (x 50)
CM	600	12

CM600HX-12A
Single IGBTMOD™ NX-Series Module
 600 Amperes/600 Volts

Absolute Maximum Ratings, $T_j = 25^\circ\text{C}$ unless otherwise specified

Characteristics	Symbol	CM600HX-12A	Units
Power Device Junction Temperature	T_j	-40 to 150	$^\circ\text{C}$
Storage Temperature	T_{stg}	-40 to 125	$^\circ\text{C}$
Mounting Torque, M5 Mounting Screws	—	31	in-lb
Mounting Torque, M6 Main Terminal Screws	—	40	in-lb
Module Weight (Typical)	—	330	Grams
Baseplate Flatness, On Centerline X, Y (See Below)	—	$\pm 0 \sim +100$	μm
Isolation Voltage, AC 1 minute, 60Hz Sinusoidal	V_{ISO}	2500	Volts

Inverter Sector

Collector-Emitter Voltage (G-E Short)	V_{CES}	600	Volts
Gate-Emitter Voltage (C-E Short)	V_{GES}	± 20	Volts
Collector Current ($T_C = 55^\circ\text{C}$) ^{*1*4*9}	I_C	600	Amperes
Peak Collector Current (Pulse) ^{*3}	I_{CM}	1200	Amperes
Emitter Current ($T_C = 25^\circ\text{C}$) ^{*1*4*9}	I_E^{*2}	600	Amperes
Peak Emitter Current (Pulse) ^{*3}	I_{EM}^{*2}	1200	Amperes
Maximum Collector Dissipation ($T_C = 25^\circ\text{C}$) ^{*1*4}	P_C	1890	Watts

*1 Case temperature (T_C) and heatsink temperature (T_f) are defined on the surface of the baseplate and heatsink at just under the chip.

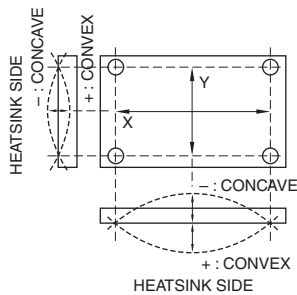
*2 I_E , I_{EM} , V_{EC} , t_{rr} and Q_{rr} represent ratings and characteristics of the anti-parallel, emitter-to-collector free-wheel diode (FWDi).

*3 Pulse width and repetition rate should be such that device junction temperature (T_j) does not exceed $T_{j(max)}$ rating.

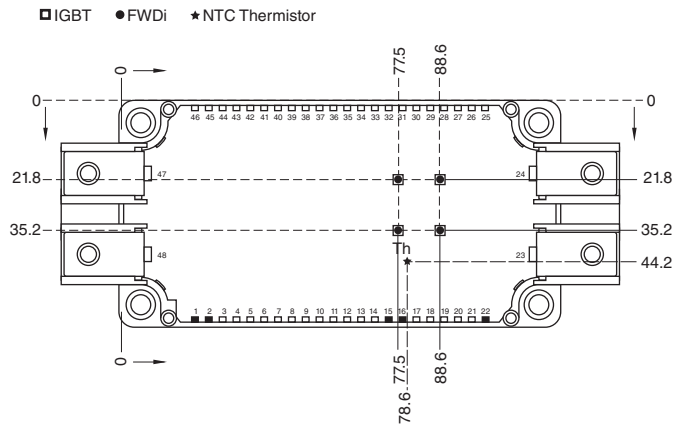
*4 Junction temperature (T_j) should not increase beyond $T_{j(max)}$ rating.

*9 Use both of each main terminal (collector and emitter) to connect external wiring.

BASEPLATE FLATNESS MEASUREMENT POINT



CHIP LOCATION (TOP VIEW)



Dimensions in mm (Tolerance: $\pm 1\text{mm}$)

CM600HX-12A
Single IGBTMOD™ NX-Series Module
 600 Amperes/600 Volts

Electrical and Mechanical Characteristics, $T_j = 25^\circ\text{C}$ unless otherwise specified

Inverter Sector

Characteristics	Symbol	Test Conditions	Min.	Typ.	Max.	Units
Collector Cutoff Current	I_{CES}	$V_{CE} = V_{CES}, V_{GE} = 0V$	—	—	1.0	mA
Gate-Emitter Threshold Voltage	$V_{GE(th)}$	$I_C = 60mA, V_{CE} = 10V$	5	6	7	Volts
Gate Leakage Current	I_{GES}	$V_{GE} = V_{GES}, V_{CE} = 0V$	—	—	0.5	μA
Collector-Emitter Saturation Voltage	$V_{CE(sat)}$	$I_C = 600A, V_{GE} = 15V, T_j = 25^\circ\text{C}^{*5}$	—	1.7	2.1	Volts
		$I_C = 600A, V_{GE} = 15V, T_j = 125^\circ\text{C}^{*5}$	—	1.9	—	Volts
		$I_C = 600A, V_{GE} = 15V, \text{Chip}$	—	1.6	—	Volts
Input Capacitance	C_{ies}		—	—	69.0	nF
Output Capacitance	C_{oes}	$V_{CE} = 10V, V_{GE} = 0V$	—	—	8.0	nF
Reverse Transfer Capacitance	C_{res}		—	—	2.4	nF
Total Gate Charge	Q_G	$V_{CC} = 300V, I_C = 600A, V_{GE} = 15V$	—	1600	—	nC
Inductive	Turn-on Delay Time	$t_{d(on)}$	—	—	700	ns
Load	Turn-on Rise Time	t_r	$V_{CC} = 300V, I_C = 600A,$		250	ns
Switch	Turn-off Delay Time	$t_{d(off)}$	$V_{GE} = \pm 15V,$		700	ns
Time	Turn-off Fall Time	t_f	$R_G = 1.0\Omega, I_E = 600A,$		600	ns
Reverse Recovery Time	t_{rr}^{*2}	Inductive Load Switching Operation	—	—	300	ns
Reverse Recovery Charge	Q_{rr}^{*2}		—	11	—	μC
Emitter-Collector Voltage	V_{EC}^{*2}	$I_E = 600A, V_{GE} = 0V, T_j = 25^\circ\text{C}^{*5}$	—	2.0	2.8	Volts
		$I_E = 600A, V_{GE} = 0V, T_j = 125^\circ\text{C}^{*5}$	—	1.95	—	Volts
		$I_E = 600A, V_{GE} = 0V, \text{Chip}$	—	1.9	—	Volts

Thermal and Mechanical Characteristics, $T_j = 25^\circ\text{C}$ unless otherwise specified

Characteristics	Symbol	Test Conditions	Min.	Typ.	Max.	Units
Module Lead Resistance	R_{lead}	Main Terminals-Chip (Per Switch)	—	0.6	—	m Ω
Thermal Resistance, Junction to Case**	$R_{th(j-c)Q}$	Per IGBT*1	—	—	0.066	$^\circ\text{C}/W$
Thermal Resistance, Junction to Case**	$R_{th(j-c)D}$	Per FWDi*1	—	—	0.11	$^\circ\text{C}/W$
Contact Thermal Resistance**	$R_{th(c-f)}$	Case to Heatsink (Per 1 Module) Thermal Grease Applied*1*7	—	0.015	—	$^\circ\text{C}/W$
Internal Gate Resistance	R_{Gint}	$T_C = 25^\circ\text{C}$	2.1	3.0	3.9	Ω
		$T_C = 125^\circ\text{C}$	4.2	6.0	7.8	Ω
External Gate Resistance	R_G		1.0	—	10	Ω

NTC Thermistor Sector, $T_j = 25^\circ\text{C}$ unless otherwise specified

Characteristics	Symbol	Test Conditions	Min.	Typ.	Max.	Units
Zero Power Resistance	R	$T_C = 25^\circ\text{C}^{*1}$	4.85	5.00	5.15	k Ω
Deviation of Resistance	$\Delta R/R$	$T_C = 100^\circ\text{C}, R_{100} = 493\Omega^{*1}$	-7.3	—	+7.8	%
B Constant	$B_{(25/50)}$	$B = (\ln R_1 - \ln R_2) / (1/T_1 - 1/T_2)^{*6}$	—	3375	—	K
Power Dissipation	P_{25}	$T_C = 25^\circ\text{C}^{*1}$	—	—	10	mW

*1 Case temperature (T_C) and heatsink temperature (T_f) are defined on the surface of the baseplate and heatsink at just under the chip.

*2 $I_E, I_{EM}, V_{EC}, t_{rr}$ and Q_{rr} represent ratings and characteristics of the anti-parallel, emitter-to-collector free-wheel diode (FWDi).

*5 Pulse width and repetition rate should be such as to cause negligible temperature rise.

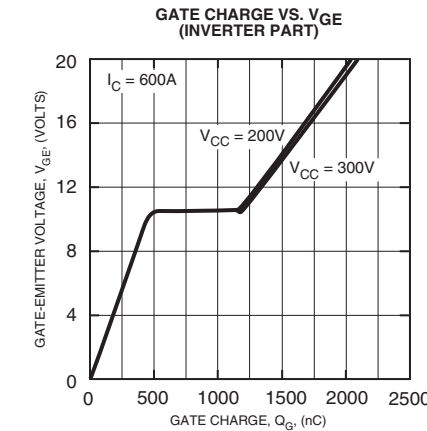
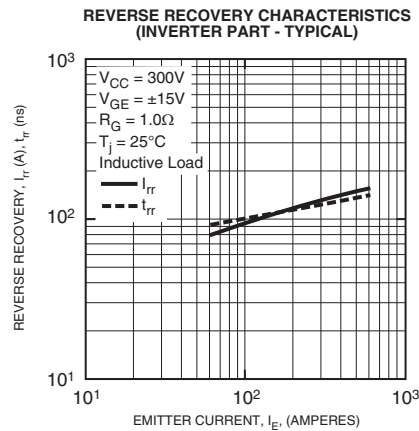
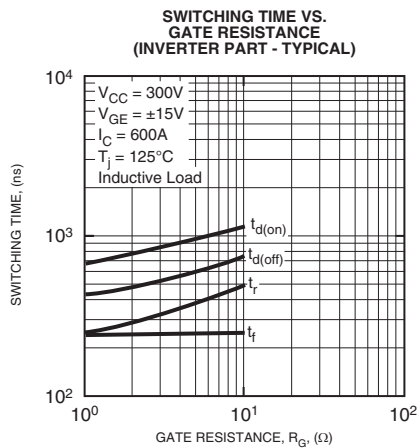
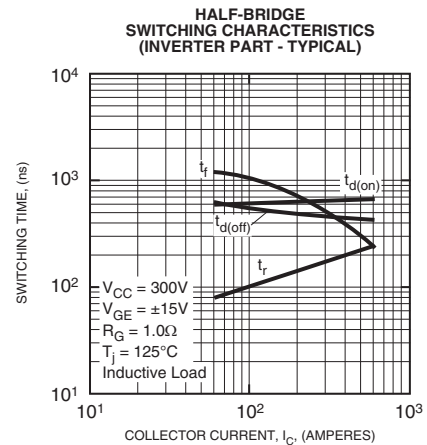
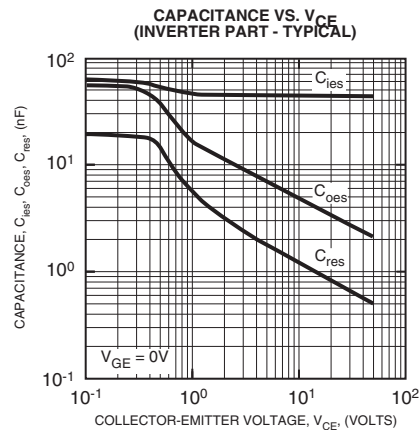
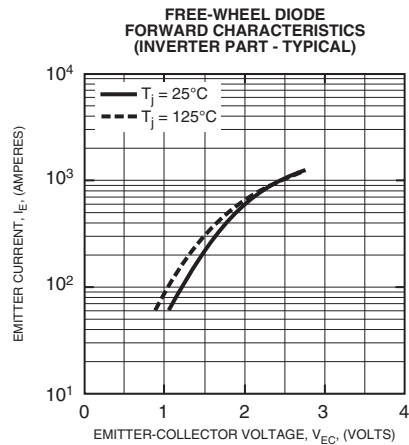
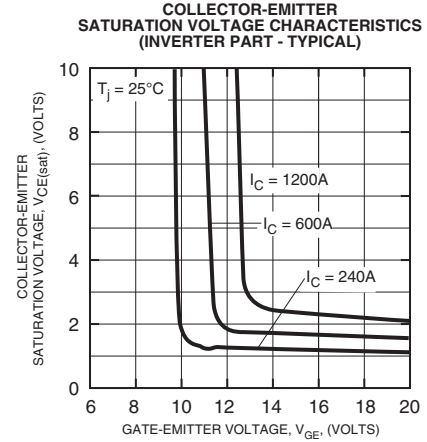
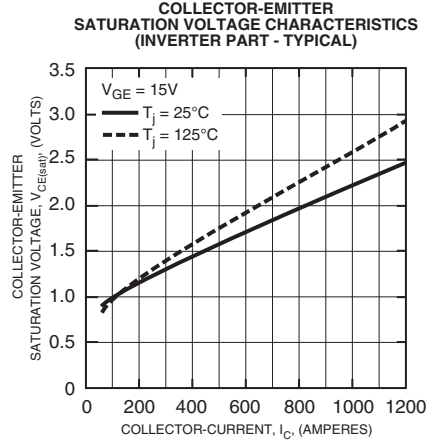
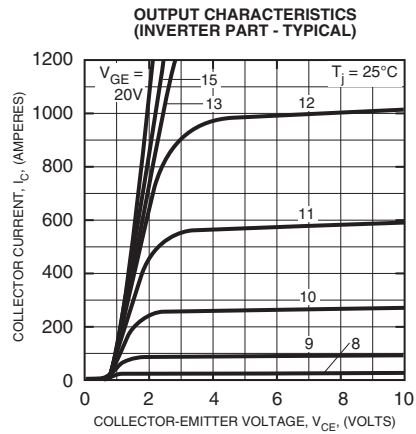
*6 R_1 : Resistance at Absolute Temperature $T_1(K), R_2$: Resistance at Absolute Temperature $T_2(K), T(K) = T(^\circ\text{C}) + 273.15$

*7 Typical value is measured by using thermally conductive grease of $\lambda = 0.9 [W/(m \cdot K)]$.



Powerex, Inc., 173 Pavilion Lane, Youngwood, Pennsylvania 15697 (724) 925-7272

CM600HX-12A
Single IGBTMOD™ NX-Series Module
 600 Amperes/600 Volts



CM600HX-12A
Single IGBTMOD™ NX-Series Module
 600 Amperes/600 Volts

