

MELSEC System Q

Programmable Controllers

Installation Manual for Digital Input and Output Modules

Art. no. 212595 UK, Version C, 19092011

Safety Information

For qualified staff only

This manual is only intended for use by properly trained and qualified electrical technicians who are fully acquainted with automation technology safety standards. All work with the hardware described, including system design, installation, setup, maintenance, service and testing, may only be performed by trained electrical technicians with approved qualifications who are fully acquainted with the applicable automation technology safety standards and regulations.

Proper use of equipment

The programmable controllers (PLC) of the MELSEC System Q are only intended for the specific applications explicitly described in this manual or the manuals listed below. Please take care to observe all the installation and operating parameters specified in the manual. All products are designed, manufactured, tested and documented in agreement with the safety regulations. Any modification of the hardware or software or disregarding of the safety warnings given in this manual or printed on the product can cause injury to persons or damage to equipment or other property. Only accessories and peripherals specifically approved by MITSUBISHI ELECTRIC may be used. Any other use or application of the products is deemed to be improper.

Relevant safety regulations

All safety and accident prevention regulations relevant to your specific application must be observed in the system design, installation, setup, maintenance, servicing and testing of these products. In this manual special warnings that are important for the proper and safe use of the products are clearly identified as follows:



DANGER:

Personnel health and injury warnings.
Failure to observe the precautions described here can result in serious health and injury hazards.



CAUTION:

Equipment and property damage warnings.
Failure to observe the precautions described here can result in serious damage to the equipment or other property.

Further Information

The following manuals contain further information about the modules:

- Hardware Manuals for the MELSEC System Q
- Programming Manual for the MELSEC A/Q series and the MELSEC System Q, art. no. 87431

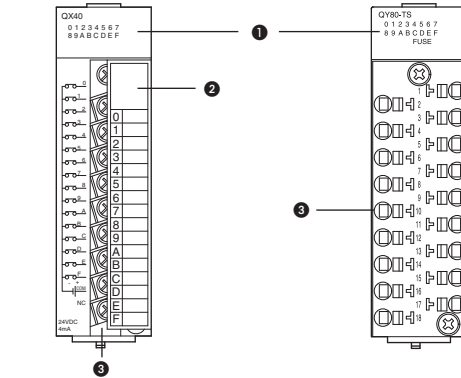
These manuals are available free of charge through the internet (www.mitsubishi-automation.com).

If you have any questions concerning the programming and operation of the equipment described in this manual, please contact your relevant sales office or department.

Names and Functions of Parts

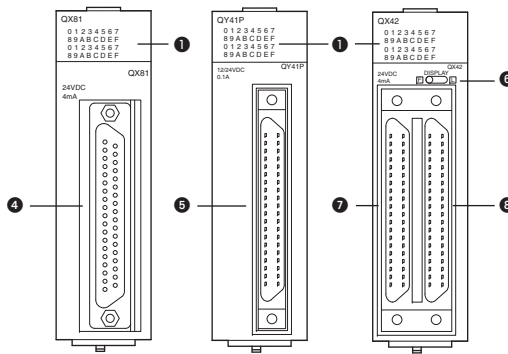
Modules with screw clamp terminals

Modules with spring clamp terminals



Modules with 37-pin connector

Modules with 40-pin connector(s)

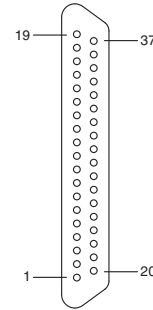


No.	Description	
1	Indicator LED (For each input/output a red LED is available which indicates the ON/OFF status of I/O (lit when I/O is ON.))	
2	Terminal cover (hinged)	
3	Removable terminal block	
4	37-pin D-sub connector (female)	
5	40-pin connector (female)	
6	Indication selector switch Used to switch the LED indications for a 64-point module. <ul style="list-style-type: none"> ● Position F: Indication for the signals at connector 1 (Inputs X00 to X1F resp. outputs Y00 to Y1F) For QH42P: Indication for inputs X00 to X1F ● Position L: Indication for the signals at connector 2 (Inputs X20 to X3F resp. outputs Y20 to Y3F) For QH42P: Indication for outputs Y00 to Y1F 	
7	40-pin connector (female)	Connector 1
8		Connector 2

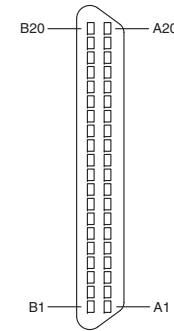
Pin Arrangement of the Connectors

The connectors are shown in module front view.

37-pin D-sub connector



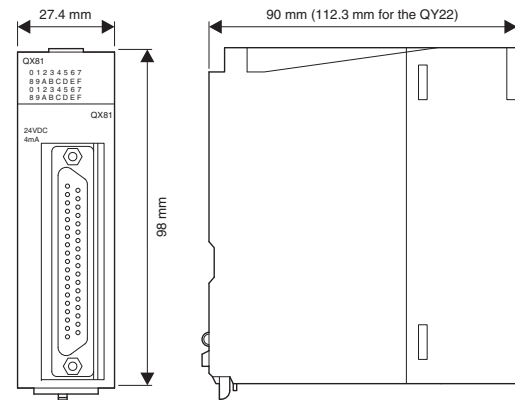
40-pin connector



Please note that the 40-pin connector is not a D-sub connector. For connection the connectors A6CON-2, A6CON-3, or A6CON-4 or prefabricated connection cables can be used (see section **Wiring**).

Dimensions

With the exception of the output module QY22, the dimensions of all digital I/O modules are identical.



Specifications

General specifications

Item	Specifications	
Ambient temperature	when operating	0 to 55 °C
	when stored	-25 to 75 °C
Ambient humidity when operating	5 to 95 % RH (no condensation)	
Working atmosphere	Free from corrosive or flammable gas and excessive conductive dusts	
Installation location	Inside control panel	

Further general specifications can be found in the Hardware Manual for the MELSEC System Q.

AC Input Modules

Specifications	QX10 QX10-TS	QX28
Number of inputs	16	8
Insulation method	Photocoupler	
Rated input voltage	100–120 V AC 50/60 Hz	100–240 V AC 50/60 Hz
Voltage range	85–132 V	85–264 V
Inrush current	200 mA within 1 ms (at 132 V AC)	500 mA within 1 ms (at 264 V AC)
Rated input current	7 mA (100 V AC, 50 Hz) 8 mA (100 V AC, 60 Hz)	7 mA (100 V AC, 50 Hz) 8 mA (100 V AC, 60 Hz) 14 mA (200 V AC, 50 Hz) 17 mA (200 V AC, 60 Hz)
Voltage/current for ON	≥ 80 V AC/≥ 5 mA	
Voltage/current for OFF	≤ 30 V AC/≤ 1.7 mA	
Input resistance	15 kΩ (50 Hz) 12 kΩ (60 Hz)	
Response time	OFF → ON	≤ 15 ms
	ON → OFF	≤ 20 ms
External connections	Terminals*	Screw clamp terminals
Groups of inputs/Inputs per group	1/16	1/8
Internal current consumption	50 mA	50 mA
Weight	0.17 kg	0.20 kg

* QX10: Screw clamp terminals
QX10-TS: Spring clamp terminals

DC Input Modules (24 V DC)

Specifications		QX40 QX40-TS	QX40-S1	QX41	QX41-S1
Number of inputs		16	16	32	32
Type of sensors		Positive common			
Insulation method		Photocoupler			
Rated input voltage		24 V DC			
Voltage range		20.4 to 28.8 V DC			
Rated input current		4 mA	6 mA	4 mA	4 mA
Voltage/current for ON		≥ 19 V/ ≥ 3 mA	≥ 19 V/ ≥ 4 mA	≥ 19 V/ ≥ 3 mA	≥ 19 V/ ≥ 4 mA
Voltage/current for OFF		≤ 11 V/≤ 1.7 mA			≤ 9.5 V/ ≤ 1.5 mA
Input resistance		5.6 kΩ	3.9 kΩ	5.6 kΩ	
Response time (adjustable)	OFF → ON	1/5/10/ 20/70 ms Initial setting: 10 ms	0.1/0.2/ 0.4/0.6/ 1.0 ms Initial setting: 0.2 ms	1/5/10/ 20/70 ms Initial setting: 10 ms	0.1/0.2/ 0.4/0.6/ 1.0 ms Initial setting: 0.2 ms
	ON → OFF				
External connections		Terminals*	Screw clamp terminals	One 40-pin connector	
Groups of inputs/Inputs per group		1/16		1/32	
Internal current consumption		50 mA	60 mA	75 mA	
Weight		0.16 kg	0.20 kg	0.15 kg	

* QX40: Screw clamp terminals
QX40-TS: Spring clamp terminals

Specifications		QX42 QX82	QX42-S1 QX82-S1	QX80 QX80-TS	QX81
Number of inputs		64	64	16	32
Type of sensors		QX42/QX42-S1: Positive common QX82/QX82-S1: Negative common		Negative common	
Insulation method		Photocoupler			
Rated input voltage		24 V DC			
Voltage range		20.4 to 28.8 V DC			
Rated input current		4 mA			
Voltage/current for ON		≥ 19 V/≥ 3 mA			
Voltage/current for OFF		≤ 11 V/ ≤ 1.7 mA	≤ 9.5 V/ ≤ 1.5 mA	≤ 11 V/ ≤ 1.7 mA	≤ 9.5 V/ ≤ 1.5 mA
Input resistance		5.6 kΩ			
Response time (adjustable)	OFF → ON	1/5/10/ 20/70 ms Initial setting: 10 ms	0.1/0.2/ 0.4/0.6/ 1.0 ms Initial setting: 0.2 ms	1/5/10/20/70 ms Initial setting: 10 ms	
	ON → OFF				
External connections		Two 40-pin connectors		Terminals	37-pin D-sub connector
Groups of inputs/Inputs per group		2/32		1/16	1/32
Internal current consumption		90 mA		50 mA	75 mA
Weight		0.18 kg		0.16 kg	

* QX80: Screw clamp terminals, QX80-TS: Spring clamp terminals

DC Input Modules (5 / 12 V DC)

Specifications		QX70	QX71	QX72
Number of inputs		16	32	64
Type of sensors		Positive/negative common selectable		
Insulation method		Photocoupler		
Rated input voltage		5 V DC/12 V DC		
Voltage range		4.25 to 6 V/10.2 to 14.4 V		
Rated input current		5 V DC: 1.2 mA/12 V DC: 3.3 mA		
Voltage/current for ON		≥ 3.5 V/≥ 1 mA		≥ 3.5 V/ ≥ 3 mA
Voltage/current for OFF		≤ 1 V/≤ 0.1 mA		
Input resistance		3.3 kΩ		
Response time (adjustable)	OFF → ON	1/5/10/20/70 ms Initial setting: 10 ms		
	ON → OFF			
External connections		Screw clamp terminals	One 40-pin connector	Two 40-pin connectors
Groups of inputs/Inputs per group		1/16	1/32	2/32
Internal current consumption		55 mA	70 mA	85 mA
Weight		0.14 kg	0.12 kg	0.13 kg

DC/AC Input Module (48 V)

Specifications	QX50		
	DC input	AC input	
Number of inputs			16
Type of sensors			Positive/negative common selectable
Insulation method			Photocoupler
Rated input voltage		48 V DC	48 V AC
Voltage range		40.8 to 57.6 V DC	40.8 to 52.8 V
Rated input current		approx. 4 mA	
Voltage/current for ON		≥ 28 V/≥ 2.5 mA	
Voltage/current for OFF		≤ 10 V/≤ 1.0 mA	
Input resistance		11.2 kΩ	
Response time	OFF → ON	≤ 5 ms	≤ 15 ms
	ON → OFF	≤ 20 ms	≤ 20 ms
External connections		Screw clamp terminals	
Groups of inputs/Inputs per group		1/16	
Internal current consumption		50 mA	
Weight		0.13 kg	

Relay Output Modules

Specifications		QY10	QY10-TS	QY18A
Number of outputs		16	16	8
Output type		Relay		
Insulation method		Relay		
Rated switching voltage/current		24 V DC, 2 A (resistive load) per output 240 V AC, 2 A (cosφ = 1) per output; max. 8 A per group (QY10 and QY10-TS only)		
Minimum switching load		5 V DC, 1 mA		
Max. switching voltage		125 V DC/264 V AC		
Maximum switching frequency		3600 times/hour		
Response time	OFF → ON	≤ 10 ms		
	ON → OFF	≤ 12 ms		
Surge suppressor		—		
External connections		Screw clamp terminals	Spring clamp terminals	Screw clamp terminals
Groups of outputs/Outputs per group		1/16		8/1 (all independent)
Internal current consumption		430 mA		
Weight		0.22 kg		

Triac Output Module

Specifications		QY22	
Number of outputs		16	
Output type		Triac	
Insulation method		Photocoupler	
Rated switching voltage		100 V to 240 V AC	
Max. load current		0.6 A per output, 4.8 A per module	
Voltage range		85 to 288 V AC	
Maximum rush current		20 A	
Max. voltage drop at ON		≤ 1.5 V	
Minimum Load		24 V AC (100 mA) 100 V AC (25 mA) 240 V AC (25 mA)	
Leakage current at OFF		≤ 1.5 mA (120 V, 60 Hz) ≤ 3 mA (240 V, 60 Hz)	
Response time	OFF → ON	0.5 x period + max. 1 ms	
	ON → OFF		
Surge suppressor		CR absorber	
Fuse		—	
External connections		Screw clamp terminals	
Groups of outputs/Outputs per group		1/16	
Internal current consumption		250 mA	
Weight		0.40 kg	

Transistor Output Modules

Specifications		QY40P	QY40P-TS	QY41P	QY42P
Number of outputs		16	16	32	64
Output type		Transistor (sink)			
Insulation method		Photocoupler			
Rated switching voltage		12 V to 24 V DC			
Rated switching current		0.1 A/output, 1.6 A/module		0.1 A/output, 2 A/group	
Voltage range		10.2 to 28.8 V DC			
Maximum inrush current		0.7 A, ≤ 10 ms			
Max. voltage drop at ON		0.2 V at 0.1 A			
Leakage current at OFF		≤ 0.1 mA			
Response time	OFF → ON	≤ 1 ms			
	ON → OFF				
Surge suppressor		Zener diode			
Fuse		—			
External connections		Screw clamp terminals	Spring clamp terminals	One 40-pin connector	Two 40-pin connectors
Groups of outputs/Outputs per group		1/16		1/32	2/32
External power supply		12 to 24 V DC			
Voltage	Current	10 mA (24 V)		20 mA (24 V)	
Internal current consumption		65 mA	105 mA	150 mA	
Weight		0.16 kg	0.15 kg	0.17 kg	

Specifications		QY50	QY68A
Number of outputs		16	8
Output type		Transistor (sink)	Transistor (sink/source)
Insulation method		Photocoupler	
Rated switching voltage		12 V to 24 V DC	5 V to 24 V DC
Rated switching current		0.5 A/output, 4 A/module	2 A/output, 8 A/module
Voltage range		10.2 to 28.8 V DC	4.5 to 28.8 V DC
Maximum inrush current		4 A, ≤ 10 ms	8 A, ≤ 10 ms
Max. voltage drop at ON		0.3 V at 0.5 A	0.3 V at 2 A
Leakage current at OFF		≤ 0.1 mA	
Response time	OFF → ON	≤ 3 ms	
	ON → OFF	≤ 1 ms	≤ 10 ms
Surge suppressor		Zener diode	
Fuse		6.7 A	—
External connections		Screw clamp terminals	
Groups of outputs/Outputs per group		1/16	8/1 (all outputs are independent.)
External power supply	Voltage	12 to 24 V DC	
	Current	20 mA (at 24 V)	
Internal current consumption		80 mA	110 mA
Weight		0.17 kg	0.14 kg

Transistor Output Modules

Specifications		QY70	QY71
Number of outputs		16	32
Output type		Transistor (sink)	
Insulation method		Photocoupler	
Rated switching voltage		5 V DC 12 V DC	
Rated switching current		16 mA/output, 256 mA/module	16 mA/output, 512 mA/module
Voltage range		4.5 to 6.5 V DC 10.8 to 15 V DC	
Maximum inrush current		40 mA, ≤ 10 ms	
Max. voltage drop at ON		0.3 V DC	
Leakage current at OFF		—	
Response time	OFF → ON	≤ 0.5 ms	
	ON → OFF		
Surge suppressor		—	—
Fuse		1.6 A	
External connections		Screw clamp terminals	One 40-pin connector
Groups of outputs/ Outputs per group		1/16	1/32
External power supply	Voltage	5/12 V DC	
	Current	90 mA (at 12 V)	170 mA (at 24 V)
Internal current consumption		95 mA	150 mA
Weight		0.14 kg	

Specifications		QY80 QY80-TS	QY81P	QY82P
Number of outputs		16	32	64
Output type		Transistor (source)		
Insulation method		Photocoupler		
Rated switching voltage		12 V to 24 V DC		
Rated switching current		0.5 A/output, 4 A/module	0.1 A/output, 2 A/module	
Voltage range		10.2 to 28.8 V DC		
Maximum inrush current		4 A, ≤ 10 ms	0.7 A, ≤ 10 ms	
Max. voltage drop at ON		0.3 V at 0.5 A	0.2 V at 0.1 A	
Leakage current at OFF		≤ 0.1 mA		
Response time	OFF → ON	≤ 1 ms		
	ON → OFF			
Surge suppressor		Zener diode		
Fuse		6.7 A	—	—
External connections		Terminals*	37-pin D-sub connector	Two 40-pin connectors
Groups of outputs/ Outputs per group		1/16	1/32	2/32
External power supply	Voltage	12 to 24 V DC		
	Current	20 mA (24 V)	40 mA (at 24 V)	
Internal current consumption		80 mA	95 mA	160 mA
Weight		0.17 kg	0.15 kg	0.17 kg

* QY80: Screw clamp terminals, QY80-TS: Spring clamp terminals

Input/Output Composite Modules

Specifications		QH42P	QX48Y57
Number of inputs		32	8
Insulation method		Photocoupler	
Rated input voltage		24 V DC	
Voltage range		20.4 to 28.8 V DC	
Rated input current		approx. 4 mA	
Voltage/current for ON		≥ 19V DC/≥ 3 mA	
Voltage/current for OFF		≤ 11 V DC/≤ 1.7 mA	
Input resistance		approx. 5.6 kΩ	
Response time (adjustable)	OFF → ON	1/5/10/20/70 ms, Initial setting: 10 ms	
	ON → OFF		
Groups of inputs/Inputs per group		1/32	1/8
Number of outputs		32	7
Output type		Transistor (sink)	
Insulation method		Photocoupler	
Rated switching voltage		12 to 24 V DC	
Rated switching current		0.1 A/output, 2 A/module	0.5 A/output, 2 A/module
Maximum inrush current		0.7 A ≤ 10 ms	4 A ≤ 10 ms
Max. voltage drop at ON		0.2 V at 0.1 A	0.1 V at 0.5 A
Leakage current at OFF		≤ 0.1 mA	
Response time	OFF → ON	≤ 1 ms	
	ON → OFF		
Surge suppressor		Zener diode	
Fuse		—	4 A
External connections		Two 40-pin connectors	Screw clamp terminals
Groups of outputs/ Outputs per group		1/32	1/7
External power supply	Voltage	12 to 24 V DC	
	Current	15 mA (at 24 V)	10 mA (at 24 V)
Internal current consumption		130 mA	80 mA
Weight		0.20 kg	0.20 kg

Installation

⚠ DANGER

Turn off all phases of the power supply for the PLC and other external sources before starting the installation or wiring work.

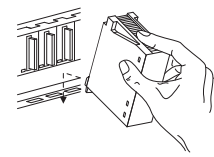
⚠ CAUTION

- Use the product in the environment within the general specifications described in the Hardware Manual for the MELSEC System Q. Never use the product in areas with dust, oily smoke, conductive dusts, corrosive or flammable gas, vibrations or impacts, or expose it to high temperature, condensation, or wind and rain.
- When drilling screw holes or wiring, cutting chips or wire chips should not enter ventilation slits. Such an accident may cause a short circuit. Use the provided dust proof sheet to cover the ventilation port. Be sure to remove this sheet from the PLC's ventilation port when the installation work is completed to prevent overheating.
- Fix the cables connected to a module so that the terminals or the connector is not directly stressed.

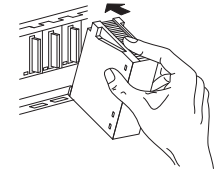
Mounting a module to a base unit

⚠ CAUTION

- Do not open or modify a module. Doing so can cause a failure, malfunction, injury or fire.
- Always insert the module fixing latch of the module into the module fixing hole of the base unit. Forcing the hook into the hole will damage the module connector and module.
- Do not touch the conductive or electronic parts of a module directly. Doing so can cause a unit malfunction or failure.



① After switching off the power supply, insert the module fixing latch into the module fixing hole of the base unit.



② Push the module in the direction of arrow to load it into the base unit.

③ Secure the module with an additional screw (M3 x 12) to the base unit if large vibration is expected. This screw is not supplied with the module.

Wiring

⚠ DANGER

- Turn off all phases of the power supply for the PLC and other external sources before starting the installation or wiring work.
- Before turning on the power supply after installation or wiring close the terminal cover of the module.
- Caused by an defective output module, outputs can be left on or off. Build an external monitoring circuit for outputs which can cause serious trouble.

Use only wires with a size of 0.3 mm² to 0.75 mm². Twist the end of strand wires and use ferrules. It is recommended to cover the wire connections with insulation tubes.

Connection cables

For connection to a 37-pin D-sub connector (QX81 and QY81P) the prefabricated connection cables Q32CBL-3M and Q32CBL-5M are available. For connection to a 40-pin connector (QX41, QX42, QX71, QX72, QY41P, QY42P, QY71 and QH42P) the prefabricated connection cables Q40CBL-3M and Q40CBL-5M can be used.

Please observe the following notes to reduce the effects of power supplies or other sources for electrical noise:

- Do not bundle AC supply lines together with DC supply lines.
- Do not lay signal cables close to the main circuit, high-voltage power lines, or load lines. Otherwise effects of noise or surge induction are likely to take place. Keep a safe distance of more than 100 mm from the above when wiring.
- The maximum cable length for in- and output connection is 100 m. To safely prevent noise you should limit the cable length to 20 m. Take the voltage drop on the line into consideration.

Wiring of the Input Modules

Modules with screw clamp terminals (QX10, QX28, QX40, QX40-S1, QX50, QX70, QX80)

The connection diagram for the digital input modules with removable terminals is printed on the modules. Please observe these diagrams when wiring the modules.

Modules with spring clamp terminals (QX10-TS, QX40-TS, QX80-TS)

Terminals 1 to 16: X00 to X0F
Terminal 17: COM (QX10-TS, QX40-TS), Vacant (QX80-TS)
Terminal 18: Vacant (QX10-TS, QX40-TS), COM (QX80-TS)

Module QX81 with 37-pin D-sub connector

Connection diagram	Pin	Signal	Pin	Signal
	1	X00	9	X10
	20	X01	28	X11
	2	X02	10	X12
	21	X03	29	X13
	3	X04	11	X14
	22	X05	30	X15
	4	X06	12	X16
	23	X07	31	X17
	5	X08	13	X18
	24	X09	32	X19
	6	X0A	14	X1A
	25	X0B	33	X1B
	7	X0C	15	X1C
	26	X0D	34	X1D
	8	X0E	16	X1E
	27	X0F	35	X1F
	17	COM	37	Vacant
	36	COM	19	
18	COM			

Modules with 40-pin connector

- QX41, QX41-S1

Connection diagram				Pin	Signal	Pin	Signal
				B20	X00	A20	X10
				B19	X01	A19	X11
				B18	X02	A18	X12
				B17	X03	A17	X13
				B16	X04	A16	X14
				B15	X05	A15	X15
				B14	X06	A14	X16
				B13	X07	A13	X17
				B12	X08	A12	X18
				B11	X09	A11	X19
				B10	X0A	A10	X1A
				B09	X0B	A09	X1B
				B08	X0C	A08	X1C
				B07	X0D	A07	X1D
				B06	X0E	A06	X1E
				B05	X0F	A05	X1F
				B04	Vacant	A04	Vacant
				B03		A03	
				B02	COM	A02	Vacant
				B01	COM	A01	Vacant

- QX42, QX42-S1, QX71, QX82, QX82-S1

Connect the COM terminal of the modules QX42 and QX42-S1 to the positive pole of an external power supply and the COM terminal of the modules QX82 and QX82-S1 to the negative pole of an external power supply. The QX71 can be used either in the positive common mode or the negative common mode.

Left connector				Right connector			
Pin	Signal	Pin	Signal	Pin	Signal	Pin	Signal
1B20	X00	1A20	X10	2B20	X20	2A20	X30
1B19	X01	1A19	X11	2B19	X21	2A19	X31
1B18	X02	1A18	X12	2B18	X22	2A18	X32
1B17	X03	1A17	X13	2B17	X23	2A17	X33
1B16	X04	1A16	X14	2B16	X24	2A16	X34
1B15	X05	1A15	X15	2B15	X25	2A15	X35
1B14	X06	1A14	X16	2B14	X26	2A14	X36
1B13	X07	1A13	X17	2B13	X27	2A13	X37
1B12	X08	1A12	X18	2B12	X28	2A12	X38
1B11	X09	1A11	X19	2B11	X29	2A11	X39
1B10	X0A	1A10	X1A	2B10	X2A	2A10	X3A
1B09	X0B	1A09	X1B	2B09	X2B	2A09	X3B
1B08	X0C	1A08	X1C	2B08	X2C	2A08	X3C
1B07	X0D	1A07	X1D	2B07	X2D	2A07	X3D
1B06	X0E	1A06	X1E	2B06	X2E	2A06	X3E
1B05	X0F	1A05	X1F	2B05	X2F	2A05	X3F
1B04	Vacant	1A04	Vacant	2B04	Vacant	2A04	Vacant
1B03		1A03		2B03		2A03	
1B02	COM1	1A02	Vacant	2B02	COM2	2A02	Vacant
1B01	COM1	1A01	Vacant	2B01	COM2	2A01	Vacant

Wiring of the Output Modules

Modules with screw clamp terminals (QY10, QY18, QY22, QY40P, QY68A, QY50, QY70, QY80)

The connection diagram for the digital output modules with removable terminals is printed on the modules. Please observe these diagrams when wiring the modules.

Modules with spring clamp terminals (QY10-TS, QY40P-TS, QY80-TS)

Terminal 1 to 16: Y00 to Y0F
 Terminal 17: COM (QY10-TS), 12–24 V DC (QY40P-TS), COM/12–24 V DC (QY80-TS)
 Terminal 18: Vacant (QY10-TS), COM/0 V (QY40P-TS), 0 V (QY80-TS)

Module QY81 with 37-pin D-sub connector

Connection diagram				Pin	Signal	Pin	Signal
				1	Y00	9	Y10
				20	Y01	28	Y11
				2	Y02	10	Y12
				21	Y03	29	Y13
				3	Y04	11	Y14
				22	Y05	30	Y15
				4	Y06	12	Y16
				23	Y07	31	Y17
				5	Y08	13	Y18
				24	Y09	32	Y19
				6	Y0A	14	Y1A
				25	Y0B	33	Y1B
				7	Y0C	15	Y1C
				26	Y0D	34	Y1D
				8	Y0E	16	Y1E
				27	Y0F	35	Y1F
				17	COM	37	0 V
				36	COM	19	0 V
				18	COM		

Modules with 40-pin connector

- QY41P and QY71

Connection diagram				Pin	Signal	Pin	Signal
				B20	Y00	A20	Y10
				B19	Y01	A19	Y11
				B18	Y02	A18	Y12
				B17	Y03	A17	Y13
				B16	Y04	A16	Y14
				B15	Y05	A15	Y15
				B14	Y06	A14	Y16
				B13	Y07	A13	Y17
				B12	Y08	A12	Y18
				B11	Y09	A11	Y19
				B10	Y0A	A10	Y1A
				B09	Y0B	A09	Y1B
				B08	Y0C	A08	Y1C
				B07	Y0D	A07	Y1D
				B06	Y0E	A06	Y1E
				B05	Y0F	A05	Y1F
				B04	Vacant	A04	Vacant
				B03		A03	
				B02	V+	A02	COM
				B01	V+	A01	COM

- QY42 and QY82P

Left connector				Right connector			
Pin	Signal	Pin	Signal	Pin	Signal	Pin	Signal
1B20	Y00	1A20	Y10	2B20	Y20	2A20	Y30
1B19	Y01	1A19	Y11	2B19	Y21	2A19	Y31
1B18	Y02	1A18	Y12	2B18	Y22	2A18	Y32
1B17	Y03	1A17	Y13	2B17	Y23	2A17	Y33
1B16	Y04	1A16	Y14	2B16	Y24	2A16	Y34
1B15	Y05	1A15	Y15	2B15	Y25	2A15	Y35
1B14	Y06	1A14	Y16	2B14	Y26	2A14	Y36
1B13	Y07	1A13	Y17	2B13	Y27	2A13	Y37
1B12	Y08	1A12	Y18	2B12	Y28	2A12	Y38
1B11	Y09	1A11	Y19	2B11	Y29	2A11	Y39
1B10	Y0A	1A10	Y1A	2B10	Y2A	2A10	Y3A
1B09	Y0B	1A09	Y1B	2B09	Y2B	2A09	Y3B
1B08	Y0C	1A08	Y1C	2B08	Y2C	2A08	Y3C
1B07	Y0D	1A07	Y1D	2B07	Y2D	2A07	Y3D
1B06	Y0E	1A06	Y1E	2B06	Y2E	2A06	Y3E
1B05	Y0F	1A05	Y1F	2B05	Y2F	2A05	Y3F
1B04	Vacant	1A04	Vacant	2B04	Vacant	2A04	Vacant
1B03		1A03		2B03		2A03	

QY42:

1B02	V+	1A02	COM1	2B02	V+	2A02	COM2
1B01	V+	1A01	COM1	2B01	V+	2A01	COM2

QY82P:

1B02	COM1	1A02	0 V	2B02	COM2	2A02	0 V
1B01	COM1	1A01	0 V	2B01	COM2	2A01	0 V

Wiring of the Input/Output Composite Modules

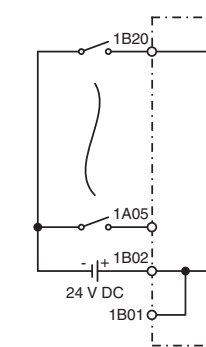
QX48Y57 (terminal block)

The connection diagram for the QX48Y57 is printed on the module. Please observe this diagram when wiring the module.

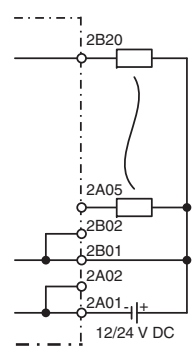
QH42P (two 40-pin connectors)

Left connector				Right connector			
Pin	Signal	Pin	Signal	Pin	Signal	Pin	Signal
1B20	X00	1A20	X10	2B20	Y00	2A20	Y10
1B19	X01	1A19	X11	2B19	Y01	2A19	Y11
1B18	X02	1A18	X12	2B18	Y02	2A18	Y12
1B17	X03	1A17	X13	2B17	Y03	2A17	Y13
1B16	X04	1A16	X14	2B16	Y04	2A16	Y14
1B15	X05	1A15	X15	2B15	Y05	2A15	Y15
1B14	X06	1A14	X16	2B14	Y06	2A14	Y16
1B13	X07	1A13	X17	2B13	Y07	2A13	Y17
1B12	X08	1A12	X18	2B12	Y08	2A12	Y18
1B11	X09	1A11	X19	2B11	Y09	2A11	Y19
1B10	X0A	1A10	X1A	2B10	Y0A	2A10	Y1A
1B09	X0B	1A09	X1B	2B09	Y0B	2A09	Y1B
1B08	X0C	1A08	X1C	2B08	Y0C	2A08	Y1C
1B07	X0D	1A07	X1D	2B07	Y0D	2A07	Y1D
1B06	X0E	1A06	X1E	2B06	Y0E	2A06	Y1E
1B05	X0F	1A05	X1F	2B05	Y0F	2A05	Y1F
1B04	Vacant	1A04	Vacant	2B04	Vacant	2A04	Vacant
1B03		1A03		2B03		2A03	
1B02	COM1	1A02	Vacant	2B02	V+	2A02	COM2
1B01	COM1	1A01	Vacant	2B01	V+	2A01	COM2

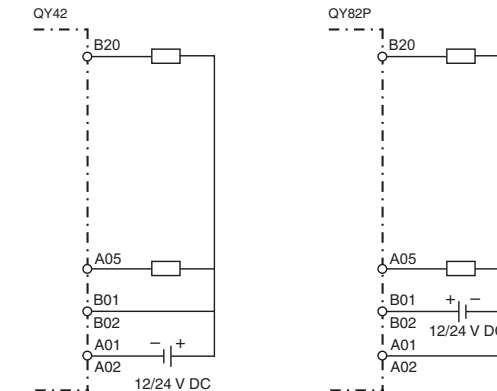
Input wiring for QH42P



Output wiring for QH42P



Connection diagram



MELSEC System Q

Speicherprogrammierbare Steuerungen

Installationsanleitung für Digital-Ein-/Ausgangsmodule

Art.-Nr.: 212595 DE, Version C, 19092011

Sicherheitshinweise

Nur für qualifizierte Elektrofachkräfte

Diese Installationsanleitung richtet sich ausschließlich an anerkannt ausgebildete Elektrofachkräfte, die mit den Sicherheitsstandards der Elektro- und Automatisierungstechnik vertraut sind. Projektierung, Installation, Inbetriebnahme, Wartung und Prüfung der Geräte dürfen nur von einer anerkannt ausgebildeten Elektrofachkraft durchgeführt werden. Eingriffe in die Hard- und Software unserer Produkte, soweit sie nicht in dieser Installationsanleitung oder anderen Handbüchern beschrieben sind, dürfen nur durch unser Fachpersonal vorgenommen werden.

Bestimmungsgemäßer Gebrauch

Die speicherprogrammierbaren Steuerungen (SPS) des MELSEC System Q sind nur für die Einsatzbereiche vorgesehen, die in der vorliegenden Installationsanleitung oder den unten aufgeführten Handbüchern beschrieben sind. Achten Sie auf die Einhaltung der in den Handbüchern angegebenen allgemeinen Betriebsbedingungen. Die Produkte wurden unter Beachtung der Sicherheitsnormen entwickelt, gefertigt, geprüft und dokumentiert. Unqualifizierte Eingriffe in die Hard- oder Software bzw. Nichtbeachtung der in dieser Installationsanleitung angegebenen oder am Produkt angebrachten Warnhinweise können zu schweren Personen- oder Sachschäden führen. Es dürfen nur von MITSUBISHI ELECTRIC empfohlene Zusatz- bzw. Erweiterungsgeräte in Verbindung mit den speicherprogrammierbaren Steuerungen des MELSEC System Q verwendet werden. Jede andere darüber hinausgehende Verwendung oder Benutzung gilt als nicht bestimmungsgemäß.

Sicherheitsrelevante Vorschriften

Bei der Projektierung, Installation, Inbetriebnahme, Wartung und Prüfung der Geräte müssen die für den spezifischen Einsatzfall gültigen Sicherheits- und Unfallverhütungsvorschriften beachtet werden. In dieser Installationsanleitung befinden sich Hinweise, die für den sachgerechten und sicheren Umgang mit dem Gerät wichtig sind. Die einzelnen Hinweise haben folgende Bedeutung:

GEFAHR:
Warnung vor einer Gefährdung des Anwenders
Nichtbeachtung der angegebenen Vorsichtsmaßnahmen kann zu einer Gefahr für das Leben oder die Gesundheit des Anwenders führen.

ACHTUNG:
Warnung vor einer Gefährdung von Geräten
Nichtbeachtung der angegebenen Vorsichtsmaßnahmen kann zu schweren Schäden am Gerät oder anderen Sachwerten führen.

Weitere Informationen

Die folgenden Handbücher enthalten weitere Informationen zu den Geräten:

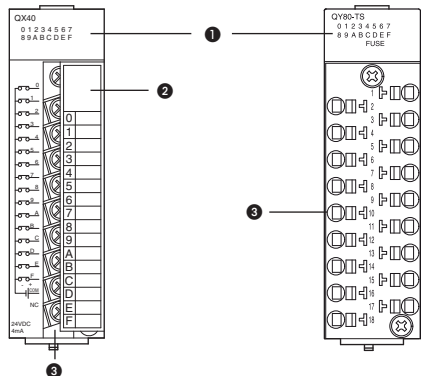
- Hardware-Beschreibung zum MELSEC System Q
- Programmieranleitung zur MELSEC A/Q-Serie und zum MELSEC System Q, Art.-Nr. 87432

Diese Handbücher stehen Ihnen im Internet kostenlos zur Verfügung (www.mitsubishi-automation.de). Sollten sich Fragen zur Installation, Programmierung und Betrieb der Steuerungen des MELSEC System Q ergeben, zögern Sie nicht, Ihr zuständiges Verkaufsbüro oder einen Ihrer Vertriebspartner zu kontaktieren.

Bedienelemente

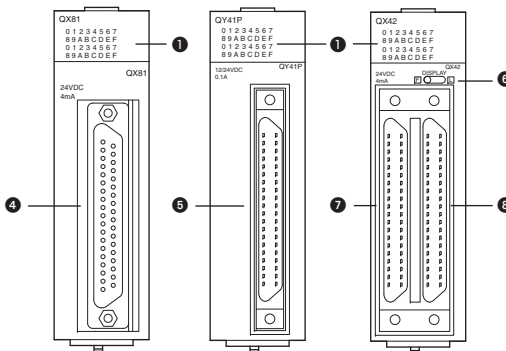
Module mit Schraubklemmen

Module mit Federkraftklemmen



Module mit 37-poliger Buchse

Module mit 40-poligem Steckanschluss



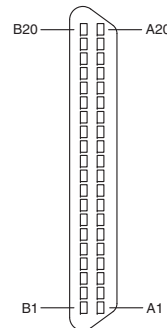
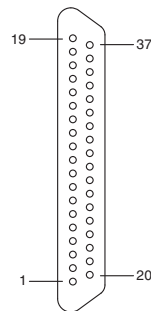
Nr.	Beschreibung
1	LED-Anzeige (Für jeden Ein-/Ausgang ist eine rote LED vorhanden, die den Zustand des entsprechenden Ein-/Ausgangs anzeigt (leuchtet = ON).)
2	Klemmenabdeckung (klappbar)
3	Abnehmbarer Klemmenblock
4	37-polige D-Sub-Buchse
5	40-polige Buchse
6	Schalter zur Umschaltung der LED-Anzeige bei Modulen mit 64 Ein- bzw. Ausgängen: <ul style="list-style-type: none"> • Stellung F: Zustandsanzeige für die Signale an Buchse 1 (Eingänge X00 bis X1F bzw. Ausgänge Y00 bis Y1F) Bei QH42P: Zustandsanzeige für Eingänge X00 bis X1F • Stellung L: Zustandsanzeige für die Signale an Buchse 2 (Eingänge X20 bis X3F bzw. Ausgänge Y20 bis Y3F) Bei QH42P: Zustandsanzeige für Ausgänge Y00 bis Y1F
7	Buchse 1
8	40-polige Buchse

Pin-Bellegung der Steckanschlüsse

Die Steckanschlüsse sind mit Blick auf das Modul dargestellt.

37-polige D-Sub-Buchse

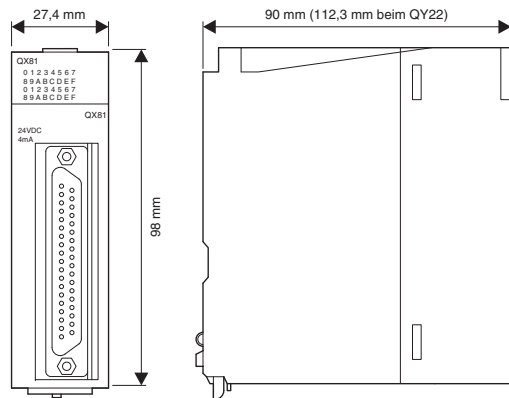
40-polige Buchse



Bitte beachten Sie, dass der 40-polige Steckanschluss keine D-Sub-Buchse ist. Zum Anschluss können die Stecker A6CON-2, A6CON-3 oder A6CON-4 oder fertig konfektionierte Leitungen verwendet werden (siehe Abschnitt **Anschluss**).

Abmessungen

Mit Ausnahme des Ausgangsmoduls QY22 haben alle digitalen E/A-Module identische Abmessungen.



Technische Daten

Allgemeine Betriebsbedingungen

Merkmale	Technische Daten	
Umgebungstemperatur	im Betrieb	0 bis 55 °C
	bei Lagerung	-25 bis 75 °C
Zulässige relative Luftfeuchtigkeit beim Betrieb	5 bis 95 % (ohne Kondensation)	
Umgebungsbedingungen	Keine aggressiven oder entzündlichen Gase, kein übermäßiger Staub	
Einbauort	Im Schaltschrank	

Weitere allgemeine Betriebsbedingungen sind in der Hardware-Beschreibung zum MELSEC System Q angegeben.

AC-Eingangsmodule

Technische Daten	QX10 QX10-TS	QX28
Anzahl der Eingänge	16	8
Isolation	Optokoppler	
Nennspannung	100–120 V AC 50/60 Hz	100–240 V AC 50/60 Hz
Spannungsbereich	85–132 V	85–264 V
Max. Einschaltstromspitze	200 mA für 1 ms (bei 132 V AC)	500 mA für 1 ms (bei 264 V AC)
Eingangsnennstrom	7 mA (100 V AC, 50 Hz) 8 mA (100 V AC, 60 Hz)	7 mA (100 V AC, 50 Hz) 8 mA (100 V AC, 60 Hz) 14 mA (200 V AC, 50 Hz) 17 mA (200 V AC, 60 Hz)
Spannung / Strom für Signalzustand „EIN“	≥ 80 V AC/≥ 5 mA	
Spannung / Strom für Signalzustand „AUS“	≤ 30 V AC/≤ 1,7 mA	
Eingangswiderstand	15 kΩ (50 Hz) 12 kΩ (60 Hz)	
Ansprechzeit	AUS → EIN	≤ 15 ms
	EIN → AUS	≤ 20 ms
Externe Anschlüsse	Klemmen*	Schraubklemmen
Anzahl der Gruppen/Eingänge pro Gruppe	1/16	1/8
Interne Stromaufnahme	50 mA	50 mA
Gewicht	0,17 kg	0,20 kg

* QX10: Schraubklemmen
 QX10-TS: Federkraftklemmen

DC-Eingangsmodule (24 V DC)

Technische Daten		QX40 QX40-TS	QX40-S1	QX41	QX41-S1
Anzahl der Eingänge		16	16	32	32
Art der Geber		Minusschaltend			
Isolation		Optokoppler			
Nennspannung		24 V DC			
Spannungsbereich		20,4 bis 28,8 V DC			
Eingangsnennstrom		4 mA	6 mA	4 mA	4 mA
Spannung/Strom für Signalzustand „EIN“		≥ 19 V/ ≥ 3 mA	≥ 19 V/ ≥ 4 mA	≥ 19 V/ ≥ 3 mA	≥ 19 V/ ≥ 4 mA
Spannung/Strom für Signalzustand „AUS“		≤ 11 V/≤ 1,7 mA			≤ 9,5 V/ ≤ 1,5 mA
Eingangswiderstand		5,6 kΩ	3,9 kΩ	5,6 kΩ	
Anprechzeit (einstellbar)	AUS → EIN	1/5/10/ 20/70 ms	0,1/0,2/ 0,4/0,6/ 1,0 ms	1/5/10/ 20/70 ms	0,1/0,2/ 0,4/0,6/ 1,0 ms
	EIN → AUS	Voreinstellung: 10 ms	Voreinstellung: 0,2 ms	Voreinstellung: 10 ms	Voreinstellung: 0,2 ms
Externe Anschlüsse		Klemmen*	Schraubklemmen	Ein 40-poliger Stecker	
Anzahl der Gruppen/Eingänge pro Gruppe		1/16		1/32	
Interne Stromaufnahme		50 mA	60 mA	75 mA	
Gewicht		0,16 kg	0,20 kg	0,15 kg	

* QX40: Schraubklemmen
QX40-TS: Federkraftklemmen

Technische Daten		QX42 QX82	QX42-S1 QX82-S1	QX80 QX80-TS	QX81
Anzahl der Eingänge		64	64	16	32
Art der Geber		QX42/QX42-S1: Minusschaltend QX82/QX82-S1: Plusschaltend		Plusschaltend	
Isolation		Optokoppler			
Nennspannung		24 V DC			
Spannungsbereich		20,4 bis 28,8 V DC			
Eingangsnennstrom		4 mA			
Spannung/Strom für Signalzustand „EIN“		≥ 19 V/≥ 3 mA			
Spannung/Strom für Signalzustand „AUS“		≤ 11 V/ ≤ 1,7 mA	≤ 9,5 V/ ≤ 1,5 mA	≤ 11 V/ ≤ 1,7 mA	≤ 9,5 V/ ≤ 1,5 mA
Eingangswiderstand		5,6 kΩ			
Anprechzeit (einstellbar)	AUS → EIN	1/5/10/ 20/70 ms	0,1/0,2/ 0,4/0,6/ 1,0 ms	1/5/10/20/70 ms	
	EIN → AUS	Voreinstellung: 10 ms	Voreinstellung: 0,2 ms	Voreinstellung: 10 ms	
Externe Anschlüsse		Zwei 40-polige Stecker		Klemmen*	Kompaktstecker Typ 37 D-Sub
Anzahl der Gruppen/Eingänge pro Gruppe		2/32		1/16	1/32
Interne Stromaufnahme		90 mA		50 mA	75 mA
Gewicht		0,18 kg		0,16 kg	

* QX80: Schraubklemmen
QX80-TS: Federkraftklemmen

DC-Eingangsmodule (5/12 V DC)

Technische Daten		QX70	QX71	QX72
Anzahl der Eingänge		16	32	64
Art der Geber		Wahlweise plus- oder minusschaltend		
Isolation		Optokoppler		
Nennspannung		5 V DC/12 V DC		
Spannungsbereich		4,25 bis 6 V/10,2 bis 14,4 V		
Eingangsnennstrom		5 V DC: 1,2 mA/12 V DC: 3,3 mA		
Spannung/Strom für Signalzustand „EIN“		≥ 3,5 V/≥ 1 mA		≥ 3,5 V/ ≥ 3 mA
Spannung/Strom für Signalzustand „AUS“		≤ 1 V/≤ 0,1 mA		
Eingangswiderstand		3,3 kΩ		
Anprechzeit (einstellbar)	AUS → EIN	1/5/10/20/70 ms		
	EIN → AUS	Voreinstellung: 10 ms		
Externe Anschlüsse		Schraubklemmen	Ein 40-poliger Stecker	Zwei 40-polige Stecker
Anzahl der Gruppen/Eingänge pro Gruppe		1/16	1/32	2/32
Interne Stromaufnahme		55 mA	70 mA	85 mA
Gewicht		0,14 kg	0,12 kg	0,13 kg

DC/AC-Eingangsmodul (48 V)

Technische Daten		QX50	
		DC-Eingang	AC-Eingang
Anzahl der Eingänge		16	
Art der Geber		Wahlweise plus- oder minusschaltend	
Isolation		Optokoppler	
Nennspannung		48 V DC	48 V AC
Spannungsbereich		40,8 bis 57,6 V DC	40,8 bis 52,8 V
Eingangsnennstrom		ca. 4 mA	
Spannung/Strom für Signalzustand „EIN“		≥ 28 V/≥ 2,5 mA	
Spannung/Strom für Signalzustand „AUS“		≤ 10 V/≤ 1,0 mA	
Eingangswiderstand		11,2 kΩ	
Anprechzeit	AUS → EIN	≤ 5 ms	≤ 15 ms
	EIN → AUS	≤ 20 ms	≤ 20 ms
Externe Anschlüsse		Schraubklemmen	
Anzahl der Gruppen/Eingänge pro Gruppe		1/16	
Interne Stromaufnahme		50 mA	
Gewicht		0,13 kg	

Relais-Ausgangsmodule

Technische Daten		QY10	QY10-TS	QY18A
Anzahl der Ausgänge		16		8
Ausgangstyp		Relais		
Isolation		Relais		
Nennschaltspannung/-strom		24 V DC, 2 A (ohmsche Last) pro Ausgang 240 V AC, 2 A (cosφ = 1) pro Ausgang max. 8 A pro Gruppe (nur QY10 und QY10-TS)		
Min. Schaltlast		5 V DC, 1 mA		
Max. Schaltspannung		125 V DC/264 V AC		
Max. Schaltfrequenz		3600 Schaltungen/h		
Anprechzeit	AUS → EIN	≤ 10 ms		
	EIN → AUS	≤ 12 ms		
Netzfilter		—		
Externe Anschlüsse		Schraubklemmen	Federkraftklemmen	Schraubklemmen
Anzahl Gruppen/Ausgänge pro Gruppe		1/16		8/1 (Alle Ausgänge sind unabhängig.)
Interne Stromaufnahme		430 mA		
Gewicht		0,22 kg		

Triac-Ausgangsmodul

Technische Daten		QY22
Anzahl der Ausgänge		16
Ausgangstyp		Triac
Isolation		Optokoppler
Ausgangsnennspannung		100 V bis 240 V AC
Max. Laststrom		0,6 A pro Ausgang, 4,8 A pro Modul
Spannungsbereich		85 bis 288 V AC
Einschaltstromspitze		20 A
Max. Spannungsabfall beim Einschalten		≤ 1,5 V
Min. Schaltlast		24 V AC (100 mA) 100 V AC (25 mA) 240 V AC (25 mA)
Leckstrom bei ausgeschaltetem Ausgang		≤ 1,5 mA (120 V, 60 Hz) ≤ 3 mA (240 V, 60 Hz)
Anprechzeit	AUS → EIN	0,5 x Periodendauer + max. 1 ms
	EIN → AUS	
Netzfilter		RC-Glied
Sicherung		—
Externe Anschlüsse		Schraubklemmen
Anzahl Gruppen/Ausgänge pro Gruppe		1 / 16
Interne Stromaufnahme		250 mA
Gewicht		0,40 kg

Transistor-Ausgangsmodule

Technische Daten		QY40P	QY40P-TS	QY41P	QY42P
Anzahl der Ausgänge		16	16	32	64
Ausgangstyp		Transistor (minusschaltend)			
Isolation		Optokoppler			
Ausgangsnennspannung		12 V bis 24 V DC			
Ausgangsnennstrom		0,1 A/Ausgang, 1,6 A/Modul		0,1 A/Ausgang, 2 A/Gruppe	
Spannungsbereich		10,2 bis 28,8 V DC			
Einschaltstromspitze		0,7 A, ≤ 10 ms			
Max. Spannungsabfall beim Einschalten		0,2 V bei 0,1 A			
Leckstrom bei ausgeschaltetem Ausgang		≤ 0,1 mA			
Anprechzeit	AUS → EIN	≤ 1 ms			
	EIN → AUS				
Netzfilter		Z-Diode			
Sicherung		—			
Externe Anschlüsse		Schraubklemmen	Federkraftklemmen	40-poliger Stecker	Zwei 40-polige Stecker
Anzahl Gruppen/Ausgänge pro Gruppe		1/16		1/32	2/32
Versorgung des Moduls	Spannung	12 bis 24 V DC			
	Strom	10 mA (24 V)		20 mA (24 V)	
Interne Stromaufnahme		65 mA		105 mA	150 mA
Gewicht		0,16 kg		0,15 kg	0,17 kg

Technische Daten		QY50	QY68A
Anzahl der Ausgänge		16	8
Ausgangstyp		Transistor (minusschaltend)	Transistor (plus-/minusschaltend)
Isolation		Optokoppler	
Ausgangsnennspannung		12 V bis 24 V DC	5 V bis 24 V DC
Ausgangsnennstrom		0,5 A/Ausgang, 4 A/Modul	2 A/Ausgang, 8 A/Modul
Spannungsbereich		10,2 bis 28,8 V DC	4,5 bis 28,8 V DC
Einschaltstromspitze		4 A, ≤ 10 ms	8 A, ≤ 10 ms
Max. Spannungsabfall beim Einschalten		0,3 V bei 0,5 A	0,3 V bei 2 A
Leckstrom bei ausgeschaltetem Ausgang		≤ 0,1 mA	
Anprechzeit	AUS → EIN	≤ 1 ms	
	EIN → AUS		
Netzfilter		Z-Diode	
Sicherung		6,7 A	—
Externe Anschlüsse		Schraubklemmen	
Anzahl Gruppen/Ausgänge pro Gruppe		1/16	8/1 (Alle Ausgänge sind unabhängig.)
Versorgung des Moduls	Spannung	12 bis 24 V DC	
	Strom	20 mA (bei 24 V)	
Interne Stromaufnahme		80 mA	110 mA
Gewicht		0,17 kg	0,14 kg

Transistor-Ausgangsmodule

Technische Daten		QY70	QY71
Anzahl der Ausgänge		16	32
Ausgangstyp	Transistor (minusschaltend)		
Isolation	Optokoppler		
Ausgangs-nennspannung	5 V DC 12 V DC		
Ausgangs-nennstrom	16 mA/Ausgang, 256 mA/Modul	16 mA/Ausgang, 512 mA/Modul	
Spannungsbereich	4,5 bis 6,5 V DC 10,8 bis 15 V DC		
Einschaltstromspitze	40 mA, ≤ 10 ms		
Max. Spannungsabfall beim Einschalten	0,3 V DC		
Leckstrom bei ausgeschaltetem Ausgang	—		
Ansprechzeit	AUS → EIN EIN → AUS	≤ 0,5 ms	
Netzfilter	—		
Sicherung	1,6 A		
Externe Anschlüsse	Schraubklemmen	40-poliger Stecker	
Anzahl Gruppen/Ausgänge pro Gruppe	1/16	1/32	
Versorgung des Moduls	Spannung	5/12 V DC	
	Strom	90 mA (bei 12 V)	170 mA (bei 24 V)
Interne Stromaufnahme	95 mA	150 mA	
Gewicht	0,14 kg		

Technische Daten		QY80 QY80-TS	QY81P	QY82P
Anzahl der Ausgänge		16	32	64
Ausgangstyp	Transistor (plusschaltend)			
Isolation	Optokoppler			
Ausgangs-nennspannung	12 V bis 24 V DC			
Ausgangs-nennstrom	0,5 A/Ausg., 4 A/Modul	0,1 A/Ausgang, 2 A/Modul		
Spannungsbereich	10,2 bis 28,8 V DC			
Einschaltstromspitze	4 A, ≤ 10 ms	0,7 A, ≤ 10 ms		
Max. Spannungsabfall beim Einschalten	0,3 V bei 0,5 A	0,2 V bei 0,1 A		
Leckstrom bei ausgeschaltetem Ausgang	≤ 0,1 mA			
Ansprechzeit	AUS → EIN EIN → AUS	≤ 1 ms		
Netzfilter	Z-Diode			
Sicherung	6,7 A	—		
Externe Anschlüsse	Klemmen*	Kompaktstecker Typ 37 D-Sub	Zwei 40-polige Stecker	
Anzahl Gruppen/Ausgänge pro Gruppe	1/16	1/32	2/32	
Versorgung des Moduls	Spannung	12 bis 24 V DC		
	Strom	20 mA (24 V)	40 mA (bei 24 V)	
Interne Stromaufnahme	80 mA	95 mA	160 mA	
Gewicht	0,17 kg	0,15 kg	0,17 kg	

* QY80: Schraubklemmen; QY80-TS: Federkraftklemmen

Kombinierte Ein-/Ausgangsmodule

Technische Daten		QH42P	QX48Y57
Anzahl der Eingänge		32	8
Isolation	Optokoppler		
Nennspannung	24 V DC		
Spannungsbereich	20,4 bis 28,8 V DC		
Eingangs-nennstrom	ca. 4 mA		
Spannung/Strom für Signalzustand „EIN“	≥ 19V DC/≥ 3 mA		
Spannung/Strom für Signalzustand „AUS“	≤ 11 V DC/≤ 1,7 mA		
Eingangswiderstand	ca. 5,6 kΩ		
Ansprechzeit (einstellbar)	AUS → EIN	1/5/10/20/70 ms, Voreinstellung: 10 ms	
	EIN → AUS		
Anzahl Gruppen/Eingänge pro Gruppe	1/32	1/8	
Anzahl der Ausgänge	32	7	
Ausgangstyp	Transistor (minusschaltend)		
Isolation	Optokoppler		
Ausgangs-nennspannung	12 bis 24 V DC		
Ausgangs-nennstrom	0,1 A/Ausgang, 2 A/Modul	0,5 A/Ausgang, 2 A/Modul	
Einschaltstromspitze	0,7 A ≤ 10 ms	4 A ≤ 10 ms	
Max. Spannungsabfall bei eingeschaltetem Ausgang	0,2 V bei 0,1 A	0,1 V bei 0,5 A	
Leckstrom bei ausgeschaltetem Ausgang	≤ 0,1 mA		
Ansprechzeit	AUS → EIN EIN → AUS	≤ 1 ms	
Netzfilter	Z-Diode		
Sicherung	—		
Externe Anschlüsse	Zwei 40-polige Stecker	Schraubklemmen	
Anzahl Gruppen/Ausgänge pro Gruppe	1/32	1/7	
Versorgung des Moduls	Spannung	12 bis 24 V DC	
	Strom	15 mA (bei 24 V)	10 mA (bei 24 V)
Interne Stromaufnahme	130 mA	80 mA	
Gewicht	0,20 kg	0,20 kg	

Installation

⚠️ GEFAHR

Schalten Sie vor der Installation und der Verdrahtung die Versorgungsspannung der SPS und andere externe Spannungen aus.

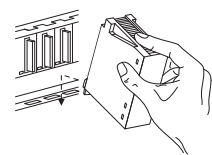
⚠️ ACHTUNG

- **Betreiben Sie die Geräte nur unter den Umgebungsbedingungen, die in der Hardware-Beschreibung zum MELSEC System Q aufgeführt sind. Die Geräte dürfen keinem Staub, Önebel, ätzenden oder entzündlichen Gasen, starken Vibrationen oder Schlägen, hohen Temperaturen und keiner Kondensation oder Feuchtigkeit ausgesetzt werden.**
- **Achten Sie bei der Montage darauf, dass keine Bohrspäne oder Drahtreste durch die Lüftungsschlitze in das Modul eindringen, die später einen Kurzschluss verursachen könnten. Verwenden Sie zum Verschließen der Lüftungsschlitze die mitgelieferte Abdeckung. Nach dem Abschluss aller Installationsarbeiten muss diese Abdeckung wieder entfernt werden, um eine Überhitzung der Steuerung zu vermeiden.**
- **Die an den Modulen angeschlossenen Leitungen müssen so befestigt werden, dass auf den Klemmleisten bzw. den Steckern keine übermäßige mechanische Belastung ausgeübt wird.**

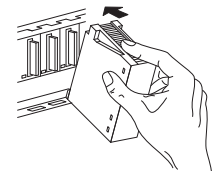
Montage der Module auf dem Baugruppenträger

⚠️ ACHTUNG

- **Öffnen Sie nicht das Gehäuse eines Moduls. Verändern Sie nicht das Modul. Störungen, Verletzungen und/oder Feuer können die Folge sein.**
- **Wird ein Modul nicht korrekt über die Führungslasche auf den Baugruppenträger gesetzt, können sich die Stifte im Modulstecker verbiegen.**
- **Berühren Sie keine leitenden Teile oder elektronische Bauteile der Module. Dies kann zu Störungen oder Beschädigung der Module führen.**



① Nachdem Sie die Netzspannung ausgeschaltet haben, setzen Sie das Modul mit der unteren Lasche in die Führung des Baugruppenträgers ein.



② Drücken Sie das Modul anschließend auf den Baugruppenträger, bis das Modul ganz am Baugruppenträger anliegt.

③ Sichern Sie das Modul zusätzlich mit einer Schraube (M3 x 12), wenn Vibrationen zu erwarten sind. Diese Schraube gehört nicht zum Lieferumfang der Module.

Anschluss

⚠️ GEFAHR

- **Schalten Sie vor der Installation und der Verdrahtung die Versorgungsspannung der SPS und andere externe Spannungen aus.**
- **Schließen Sie vor dem Einschalten der Spannung die Abdeckung der Klemmen der Module.**
- **Durch ein defektes Ausgangsmodul kann evtl. ein Ausgang nicht korrekt ein- oder ausgeschaltet werden. Sehen Sie deshalb bei Ausgängen, bei denen dadurch ein gefährlicher Zustand eintreten kann, Überwachungseinrichtungen vor.**

Verwenden Sie für die Verdrahtung Leitungen mit einem Querschnitt von 0,3 bis 0,75 mm². Abisolierte Drähte müssen mit Aderendhülsen versehen und mit einem Isolierschlauch vor Berührung geschützt werden.

Anschlusskabel

Für den Anschluss an eine 37-polige D-Sub-Buche (QX81 und QY81P) stehen Ihnen die vorkonfigurierten Anschlusskabel Q32CBL-3M und Q32CBL-5M zur Verfügung.

Für den Anschluss an eine 40-polige Buchse (QX41, QX42, QX71, QX72, QY41P, QY42P, QY71 und QH42P) können die vorkonfigurierten Anschlusskabel Q40CBL-3M und Q40CBL-5M verwendet werden.

Um Einflüsse von Netzteilen oder anderen Störquellen zu vermeiden, beachten Sie bitte die folgenden Hinweise:

- Gleichstromführende Leitungen sollten nicht in unmittelbarer Nähe von Wechselstromführenden Leitungen verlegt werden.
- Leitungen, die hohe Spannungen oder Ströme führen, sollten von Steuer- und Datenleitungen getrennt verlegt werden. Der Mindestabstand zwischen diesen Leitungen beträgt 100 mm.
- Leitungen zu den Ein- und Ausgängen können auf einer Länge von maximal 100 m erweitert werden. Um Störeinflüsse sicher zu vermeiden, sollten die Leitungslängen jedoch auf 20 m begrenzt werden. Berücksichtigen Sie den Spannungsabfall in den Leitungen.

Anschluss der Eingangsmodule

Module mit Schraubklemmen (QX10, QX28, QX40, QX40-S1, QX50, QX70, QX80)

Bei den Digital-Eingangsmodulen mit abnehmbarem Klemmenblock ist die Anschlussbelegung auf das Modul gedruckt. Bitte beachten Sie diese Klemmenbelegung bei der Verdrahtung.

Module mit Federkraftklemmen (QX10-TS, QX40-TS, QX80-TS)

Klemmen 1 bis 16: X00 bis X0F

Klemme 17: COM (QX10-TS, QX40-TS), Nicht belegt (QX80-TS)

Klemme 18: Nicht belegt (QX10-TS, QX40-TS), COM (QX80-TS)

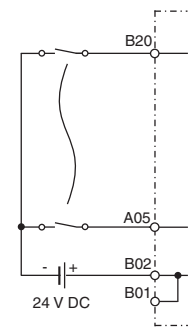
Modul QX81 mit 37-poliger D-Sub-Buchse

Anschlussbelegung		Pin	Signal	Pin	Signal
	1	X00	9	X10	
	20	X01	28	X11	
	2	X02	10	X12	
	21	X03	29	X13	
	3	X04	11	X14	
	22	X05	30	X15	
	4	X06	12	X16	
	23	X07	31	X17	
	5	X08	13	X18	
	24	X09	32	X19	
	6	X0A	14	X1A	
	25	X0B	33	X1B	
	7	X0C	15	X1C	
	26	X0D	34	X1D	
	8	X0E	16	X1E	
	27	X0F	35	X1F	
	17	COM	37	Nicht belegt	
	36	COM	19	Nicht belegt	
18	COM				

Module mit 40-poligem Steckanschluss

- QX41, QX41-S1

Anschlussbelegung		Pin	Signal	Pin	Signal
		B20	X00	A20	X10
		B19	X01	A19	X11
		B18	X02	A18	X12
		B17	X03	A17	X13
		B16	X04	A16	X14
		B15	X05	A15	X15
		B14	X06	A14	X16
		B13	X07	A13	X17
		B12	X08	A12	X18
		B11	X09	A11	X19
		B10	X0A	A10	X1A
		B09	X0B	A09	X1B
		B08	X0C	A08	X1C
		B07	X0D	A07	X1D
		B06	X0E	A06	X1E
		B05	X0F	A05	X1F
		B04	Nicht belegt	A04	Nicht belegt
		B03	Nicht belegt	A03	Nicht belegt
		B02	COM	A02	Nicht belegt
		B01	COM	A01	Nicht belegt



- QX42, QX42-S1, QX71, QX82, QX82-S1

An den Modulen QX42 und QX42-S1 werden minus-schaltende und an den Modulen QX82 und QX82-S1 plus-schaltende Sensoren angeschlossen. Beim QX42/QX42-S1 werden die COM-Anschlüsse mit dem Pluspol der geschalteten Spannung verbunden und beim QX82/QX82-S1 mit dem Minuspol.

An das Modul QX71 können wahlweise plus- oder minus-schaltende Sensoren angeschlossen werden. Bei plus-schaltenden Sensoren wird an den COM-Anschlüssen der Minuspol der geschalteten Spannung angeschlossen. Bei minus-schaltenden Sensoren schließen Sie an COM den Pluspol der Eingangsspannung an.

Linker Anschluss				Rechter Anschluss			
Pin	Signal	Pin	Signal	Pin	Signal	Pin	Signal
1B20	X00	1A20	X10	2B20	X20	2A20	X30
1B19	X01	1A19	X11	2B19	X21	2A19	X31
1B18	X02	1A18	X12	2B18	X22	2A18	X32
1B17	X03	1A17	X13	2B17	X23	2A17	X33
1B16	X04	1A16	X14	2B16	X24	2A16	X34
1B15	X05	1A15	X15	2B15	X25	2A15	X35
1B14	X06	1A14	X16	2B14	X26	2A14	X36
1B13	X07	1A13	X17	2B13	X27	2A13	X37
1B12	X08	1A12	X18	2B12	X28	2A12	X38
1B11	X09	1A11	X19	2B11	X29	2A11	X39
1B10	X0A	1A10	X1A	2B10	X2A	2A10	X3A
1B09	X0B	1A09	X1B	2B09	X2B	2A09	X3B
1B08	X0C	1A08	X1C	2B08	X2C	2A08	X3C
1B07	X0D	1A07	X1D	2B07	X2D	2A07	X3D
1B06	X0E	1A06	X1E	2B06	X2E	2A06	X3E
1B05	X0F	1A05	X1F	2B05	X2F	2A05	X3F
1B04	Nicht belegt	1A04	Nicht belegt	2B04	Nicht belegt	2A04	Nicht belegt
1B03	Nicht belegt	1A03	Nicht belegt	2B03	Nicht belegt	2A03	Nicht belegt
1B02	COM1	1A02	Nicht belegt	2B02	COM2	2A02	Nicht belegt
1B01	COM1	1A01	Nicht belegt	2B01	COM2	2A01	Nicht belegt

Anschluss der Ausgangsmodule

Module mit Schraubklemmen

(QY10, QY18, QY22, QY40P, QY68A, QY50, QY70, QY80)

Bei den Digital-Ausgangsmodulen mit abnehmbarem Klemmenblock ist die Anschlussbelegung auf das Modul gedruckt. Bitte beachten Sie diese Klemmenbelegung bei der Verdrahtung.

Module mit Federkraftklemmen (QY10-TS, QY40P-TS, QY80-TS)

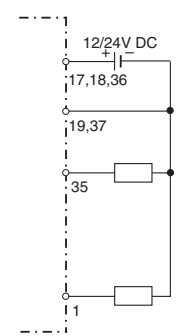
Klemmen 1 bis 16: Y00 bis Y0F

Klemme 17: COM (QY10-TS), 12–24 V DC (QY40P-TS), COM/12–24 V DC (QY80-TS)

Klemme 18: Nicht belegt (QY10-TS), COM/0 V (QY40P-TS), 0 V (QY80-TS)

Modul QY81 mit 37-poliger D-Sub-Buchse

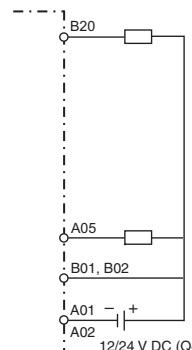
Anschlussbelegung		Pin	Signal	Pin	Signal
		1	Y00	9	Y10
		20	Y01	28	Y11
		2	Y02	10	Y12
		21	Y03	29	Y13
		3	Y04	11	Y14
		22	Y05	30	Y15
		4	Y06	12	Y16
		23	Y07	31	Y17
		5	Y08	13	Y18
		24	Y09	32	Y19
		6	Y0A	14	Y1A
		25	Y0B	33	Y1B
		7	Y0C	15	Y1C
		26	Y0D	34	Y1D
		8	Y0E	16	Y1E
		27	Y0F	35	Y1F
		17	COM	37	0 V
		36	COM	19	0 V
		18	COM		



Module mit 40-poligem Steckanschluss

- QY41P und QY71

Anschlussbelegung		Pin	Signal	Pin	Signal
		B20	Y00	A20	Y10
		B19	Y01	A19	Y11
		B18	Y02	A18	Y12
		B17	Y03	A17	Y13
		B16	Y04	A16	Y14
		B15	Y05	A15	Y15
		B14	Y06	A14	Y16
		B13	Y07	A13	Y17
		B12	Y08	A12	Y18
		B11	Y09	A11	Y19
		B10	Y0A	A10	Y1A
		B09	Y0B	A09	Y1B
		B08	Y0C	A08	Y1C
		B07	Y0D	A07	Y1D
		B06	Y0E	A06	Y1E
		B05	Y0F	A05	Y1F
		B04	Nicht belegt	A04	Nicht belegt
		B03	Nicht belegt	A03	Nicht belegt
		B02	V+	A02	COM
		B01	V+	A01	COM



- QY42 und QY82P

Linker Anschluss				Rechter Anschluss			
Pin	Signal	Pin	Signal	Pin	Signal	Pin	Signal
1B20	Y00	1A20	Y10	2B20	Y20	2A20	Y30
1B19	Y01	1A19	Y11	2B19	Y21	2A19	Y31
1B18	Y02	1A18	Y12	2B18	Y22	2A18	Y32
1B17	Y03	1A17	Y13	2B17	Y23	2A17	Y33
1B16	Y04	1A16	Y14	2B16	Y24	2A16	Y34
1B15	Y05	1A15	Y15	2B15	Y25	2A15	Y35
1B14	Y06	1A14	Y16	2B14	Y26	2A14	Y36
1B13	Y07	1A13	Y17	2B13	Y27	2A13	Y37
1B12	Y08	1A12	Y18	2B12	Y28	2A12	Y38
1B11	Y09	1A11	Y19	2B11	Y29	2A11	Y39
1B10	Y0A	1A10	Y1A	2B10	Y2A	2A10	Y3A
1B09	Y0B	1A09	Y1B	2B09	Y2B	2A09	Y3B
1B08	Y0C	1A08	Y1C	2B08	Y2C	2A08	Y3C
1B07	Y0D	1A07	Y1D	2B07	Y2D	2A07	Y3D
1B06	Y0E	1A06	Y1E	2B06	Y2E	2A06	Y3E
1B05	Y0F	1A05	Y1F	2B05	Y2F	2A05	Y3F
1B04	Nicht belegt	1A04	Nicht belegt	2B04	Nicht belegt	2A04	Nicht belegt
1B03	Nicht belegt	1A03	Nicht belegt	2B03	Nicht belegt	2A03	Nicht belegt

QY42:

1B02	V+	1A02	COM1	2B02	V+	2A02	COM2
1B01	V+	1A01	COM1	2B01	V+	2A01	COM2

QX82P:

1B02	COM1	1A02	0 V	2B02	COM2	2A02	0 V
1B01	COM1	1A01	0 V	2B01	COM2	2A01	0 V

Anschluss der kombinierten Ein-/Ausgangsmodule

Modul QX48Y57 (Schraubklemmen)

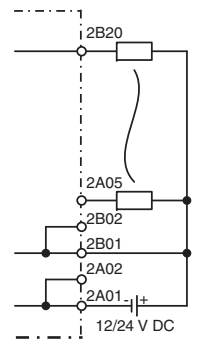
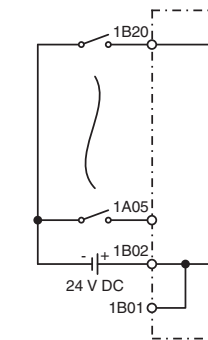
Beim QX48Y57 ist die Anschlussbelegung auf das Modul gedruckt. Bitte beachten Sie diese Klemmenbelegung bei der Verdrahtung.

Modul QH42P (Zwei 40-polige Steckanschlüsse)

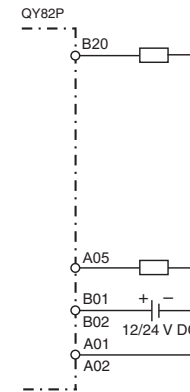
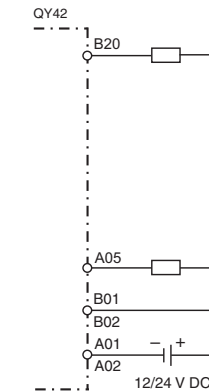
Linker Anschluss				Rechter Anschluss			
Pin	Signal	Pin	Signal	Pin	Signal	Pin	Signal
1B20	X00	1A20	X10	2B20	Y00	2A20	Y10
1B19	X01	1A19	X11	2B19	Y01	2A19	Y11
1B18	X02	1A18	X12	2B18	Y02	2A18	Y12
1B17	X03	1A17	X13	2B17	Y03	2A17	Y13
1B16	X04	1A16	X14	2B16	Y04	2A16	Y14
1B15	X05	1A15	X15	2B15	Y05	2A15	Y15
1B14	X06	1A14	X16	2B14	Y06	2A14	Y16
1B13	X07	1A13	X17	2B13	Y07	2A13	Y17
1B12	X08	1A12	X18	2B12	Y08	2A12	Y18
1B11	X09	1A11	X19	2B11	Y09	2A11	Y19
1B10	X0A	1A10	X1A	2B10	Y0A	2A10	Y1A
1B09	X0B	1A09	X1B	2B09	Y0B	2A09	Y1B
1B08	X0C	1A08	X1C	2B08	Y0C	2A08	Y1C
1B07	X0D	1A07	X1D	2B07	Y0D	2A07	Y1D
1B06	X0E	1A06	X1E	2B06	Y0E	2A06	Y1E
1B05	X0F	1A05	X1F	2B05	Y0F	2A05	Y1F
1B04	Nicht belegt	1A04	Nicht belegt	2B04	Nicht belegt	2A04	Nicht belegt
1B03	Nicht belegt	1A03	Nicht belegt	2B03	Nicht belegt	2A03	Nicht belegt
1B02	COM1	1A02	Nicht belegt	2B02	V+	2A02	COM2
1B01	COM1	1A01	Nicht belegt	2B01	V+	2A01	COM2

Anschluss der Eingänge des QH42P

Anschluss der Ausgänge des QH42P



Anschluss



MELSEC System Q

Automates programmables

Manuel d'installation pour les modules d'entrée/sortie numérique

N° art. : 212595 FR, Version C, 19092011

Informations de sécurité

Groupe cible

Ce manuel est destiné uniquement à des électriciens qualifiés et ayant reçus une formation reconnue par l'état et qui se sont familiarisés avec les standards de sécurité de la technique d'automatisation. Tout travail avec le matériel décrit, y compris la planification, l'installation, la configuration, la maintenance, l'entretien et les tests doit être réalisé uniquement par des électriciens formés et qui se sont familiarisés avec les standards et prescriptions de sécurité de la technique d'automatisation applicable.

Utilisation correcte

Les automates programmables (API) de la série MELSEC System Q sont uniquement destinés aux applications décrites dans le présent manuel conçus uniquement pour les applications spécifiques explicitement décrites dans ce manuel ou les manuels mentionnés ci-après. Veuillez prendre soin de respecter tous les paramètres d'installation et de fonctionnement spécifiés dans le manuel. Tous les produits ont été développés, fabriqués, contrôlés et documentés en respectant les normes de sécurité. Toute modification du matériel ou du logiciel ou le non-respect des avertissements de sécurité indiqués dans ce manuel ou placés sur le produit peut induire des dommages importants aux personnes ou au matériel ou à d'autres biens. Seuls les accessoires et appareils périphériques recommandés par MITSUBISHI ELECTRIC doivent être utilisés. Tout autre emploi ou application des produits sera considéré comme non conforme.

Prescriptions de sécurité importantes

Toutes les prescriptions de sécurité et de prévention d'accident importantes pour votre application spécifique doivent être respectées lors de la planification, l'installation, la configuration, la maintenance, l'entretien et les tests de ces produits.

Dans ce manuel, les avertissements spéciaux importants pour l'utilisation correcte et sûre des produits sont identifiés clairement comme suit :



DANGER :

Avertissements de dommage corporel.
Le non-respect des précautions décrites ici peut entraîner des dommages corporels et des risques de blessure.



ATTENTION :

Avertissements d'endommagement du matériel et des biens. Le non-respect des précautions décrites ici peut entraîner de graves endommagements du matériel ou d'autres biens.

Autres informations

Les manuels suivants comportent d'autres informations sur les modules :

- Description du matériel du MELSEC System Q
- Manuel de programmation de la série MELSEC A/Q et du MELSEC System Q, n° art. 87432

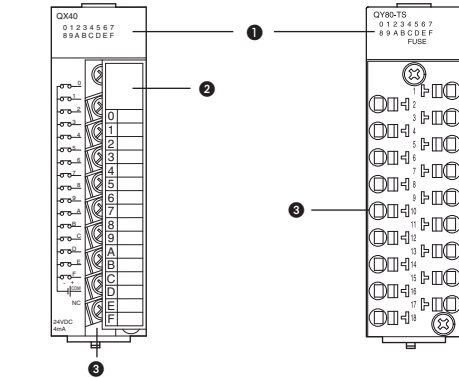
Ces manuels sont disponibles gratuitement sur (www.mitsubishi-automation.fr).

Si vous avez des questions concernant la programmation et le fonctionnement du matériel décrit dans ce manuel, contactez votre bureau de vente responsable ou votre distributeur.

Éléments de commande

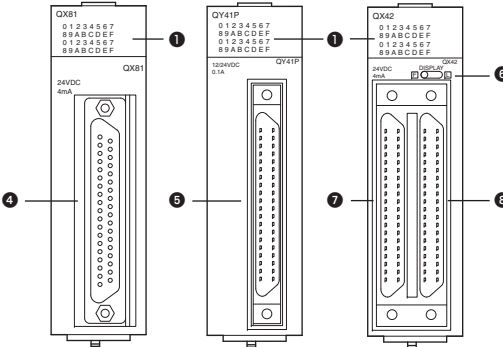
Modules avec bornes vissées

Modules avec bornes à ressort



Modules avec prise femelle de 37 broches

Modules avec prise embrochable de 40 broches



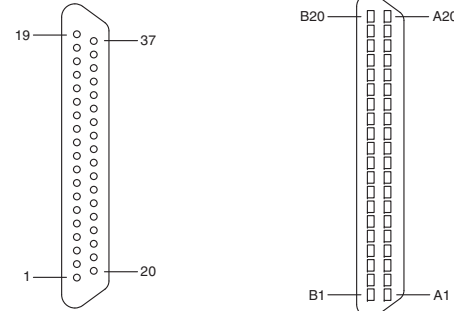
N°	Description
1	Affichage DEL (Une DEL rouge affichant l'état de l'entrée/sortie correspondante (allumée = ON) est présente pour chaque entrée/sortie.)
2	Cache-bornes (rabattable)
3	Répartiteur amovible
4	Prise femelle Sub-D à 37 broches
5	Prise femelle à 40 broches
6	Commutateur pour l'affichage de l'état des 64 entrées ou sorties du module : <ul style="list-style-type: none"> ● Position F : affichage de l'état des signaux de la prise 1 (entrées X00 à X1F ou sorties Y00 à Y1F) Pour QH42P : affichage de l'état des entrées X00 à X1F ● Position L : affichage de l'état des signaux de la prise 2 (entrées X20 à X3F ou sorties Y20 à Y3F) Pour QH42P : affichage de l'état des sorties Y00 à Y1F
7	Prise 1
8	Prise femelle à 40 broches

Affectation des broches des prises embrochables

La représentation des prises embrochables est visible sur le module.

Prise femelle Sub-D à 37 broches

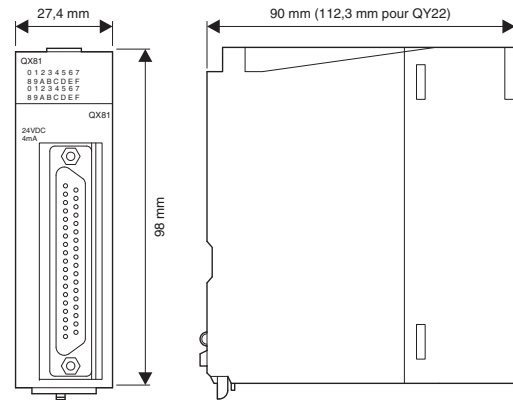
Prise femelle à 40 broches



Faire attention que la prise embrochable à 40 broches ne soit pas une prise femelle Sub-D. Les connecteurs A6CON-2, A6CON-3 ou A6CON-4 ou des câbles complètement montés peuvent être utilisés pour le raccordement (voir chapitre Raccordement).

Dimensions

À l'exception du module de sortie QY22, les dimensions de tous les modules d'E/S numérique sont identiques.



Données techniques

Conditions générales de fonctionnement

Caractéristique		Données techniques
Température ambiante	Service	0 à 55 °C
	Stockage	-25 à 75 °C
Humidité relative admissible en service		5 à 95 % (sans condensation)
Conditions environnementales		Pas de gaz corrosifs ou inflammables, peu de poussières
Emplacement de montage		Dans une armoire de distribution

Vous trouverez plus d'informations sur les conditions générales d'utilisation dans la description du matériel du MELSEC System Q.

Modules d'entrée CA

Données techniques	QX10 QX10-TS	QX28
Nombre d'entrées	16	8
Isolation	Photocoupleur	
Tension nominale	100-120 V CA 50/60 Hz	100-240 V CA 50/60 Hz
Plage de tension	85-132 V	85-264 V
Surintensité maxi à l'enclenchement	200 mA pour 1 ms (pour 132 V CA)	500 mA pour 1 ms (pour 264 V CA)
Courant nominal d'entrée	7 mA (100 V CA, 50 Hz) 8 mA (100 V CA, 60 Hz)	7 mA (100 V CA, 50 Hz) 8 mA (100 V CA, 60 Hz) 14 mA (200 V CA, 50 Hz) 17 mA (200 V CA, 60 Hz)
Tension/courant pour l'état de signal "ON"	≥ 80 V CA/≥ 5 mA	
Tension/courant pour l'état de signal "OFF"	≤ 30 V CA/≤ 1,7 mA	
Résistance d'entrée	15 kΩ (50 Hz) 12 kΩ (60 Hz)	
Temps de réponse	OFF → ON	≤ 15 ms
	ON → OFF	≤ 20 ms
Raccordements externes	bornes*	bornes vissées
Nombre de groupes/Entrées par groupe	1/16	1/8
Consommation interne de courant	50 mA	50 mA
Poids	0,17 kg	0,20 kg

* QX10 : bornes vissées
QX10-TS : bornes à ressort

Modules d'entrée CC (24 V CC)

Données techniques	QX40 QX40-TS	QX40-S1	QX41	QX41-S1
Nombre d'entrées	16	16	32	32
Type de capteur	Commutation négative			
Isolation	Photocoupleur			
Tension nominale	24 V CC			
Plage de tension	20,4 à 28,8 V CC			
Courant nominal d'entrée	4 mA	6 mA	4 mA	4 mA
Tension/courant pour l'état de signal "ON"	≥ 19 V / ≥ 3 mA	≥ 19 V / ≥ 4 mA	≥ 19 V / ≥ 3 mA	≥ 19 V / ≥ 4 mA
Tension/courant pour l'état de signal "OFF"	≤ 11 V/≤ 1,7 mA			≤ 9,5 V / ≤ 1,5 mA
Résistance d'entrée	5,6 kΩ	3,9 kΩ	5,6 kΩ	
Temps de réponse (réglable)	OFF → ON	1/5/10/ 20/70 ms	0,1/0,2/ 0,4/0,6/ 1,0 ms	1/5/10/ 20/70 ms
	ON → OFF	Pré-réglage : 10 ms	Pré-réglage : 0,2 ms	Pré-réglage : 10 ms
Raccordements externes	bornes*	bornes vissées	Un connecteur à 40 broches	
Nombre de groupes/ Entrées par groupe	1/16		1/32	
Consommation interne de courant	50 mA	60 mA	75 mA	
Poids	0,16 kg	0,20 kg	0,15 kg	

* QX40 : bornes vissées, QX40-TS : bornes à ressort

Données techniques	QX42 QX82	QX42-S1 QX82-S1	QX80 QX80-TS	QX81
	Nombre d'entrées	64	64	16
Type de capteur	QX42/QX42-S1 : Commutation négative QX82/QX82-S1 : Commutation positive		Commutation positive	
Isolation	Photocoupleur			
Tension nominale	24 V CC			
Plage de tension	20,4 à 28,8 V CC			
Courant nominal d'entrée	4 mA			
Tension/courant pour l'état de signal "ON"	≥ 19 V/≥ 3 mA			
Tension/courant pour l'état de signal "OFF"	≤ 11 V / ≤ 1,7 mA	≤ 9,5 V / ≤ 1,5 mA	≤ 11 V / ≤ 1,7 mA	≤ 9,5 V / ≤ 1,5 mA
Résistance d'entrée	5,6 kΩ			
Temps de réponse (réglable)	OFF → ON	1/5/10/ 20/70 ms	0,1/0,2/ 0,4/0,6/ 1,0 ms	1/5/10/20/70 ms
	ON → OFF	Pré-réglage : 10 ms	Pré-réglage : 0,2 ms	Pré-réglage : 10 ms
Raccordements externes	Deux connecteurs à 40 broches		bornes*	Connecteur compact de type Sub-D à 37 broches
Nombre de groupes/ Entrées par groupe	2/32		1/16	1/32
Consommation interne de courant	90 mA		50 mA	75 mA
Poids	0,18 kg		0,16 kg	

* QX80 : bornes vissées, QX80-TS : bornes à ressort

Modules d'entrée (5/12 V CC)

Données techniques	QX70	QX71	QX72
Nombre d'entrées	16	32	64
Type de capteur	Au choix à commutation positive ou négative		
Isolation	Photocoupleur		
Tension nominale	5 V CC/12 V CC		
Plage de tension	4,25 à 6 V/10,2 à 14,4 V		
Courant nominal d'entrée	5 V CC : 1,2 mA/12 V CC: 3,3 mA		
Tension/courant pour l'état de signal "ON"	≥ 3,5 V/≥ 1 mA		≥ 3,5 V / ≥ 3 mA
Tension/courant pour l'état de signal "OFF"	≤ 1 V/≤ 0,1 mA		
Résistance d'entrée	3,3 kΩ		
Temps de réponse (réglable)	OFF → ON	1/5/10/20/70 ms	
	ON → OFF	Pré-réglage : 10 ms	
Raccordements externes	bornes vissées	Un connecteur à 40 broches	Deux connecteurs à 40 broches
Nombre de groupes/ Entrées par groupe	1/16	1/32	2/32
Consommation interne de courant	55 mA	70 mA	85 mA
Poids	0,14 kg	0,12 kg	0,13 kg

Modules d'entrée CC/CA (48 V)

Données techniques	QX50	
	Entrée CC	Entrée CA
Nombre d'entrées	16	
Type de capteur	Au choix à commutation positive ou négative	
Isolation	Photocoupleur	
Tension nominale	48 V CC	48 V CA
Plage de tension	40,8 à 57,6 V CC	40,8 à 52,8 V
Courant nominal d'entrée	ca. 4 mA	
Tension/courant pour l'état de signal "ON"	≥ 28 V/≥ 2,5 mA	
Tension/courant pour l'état de signal "OFF"	≤ 10 V/≤ 1,0 mA	
Résistance d'entrée	11,2 kΩ	
Temps de réponse	OFF → ON	≤ 5 ms
	ON → OFF	≤ 20 ms
Raccordements externes	bornes vissées	
Nombre de groupes/ Entrées par groupe	1/16	
Consommation interne de courant	50 mA	
Poids	0,13 kg	

Modules de sortie à relais

Données techniques	QY10	QY10-TS	QY18A
Nombre de sorties	16		8
Type de sortie	Relais		
Isolation	Relais		
Tension/courant nominal de commutation	24 V CC, 2 A (charge ohmique) par sortie 240 V CA, 2 A maxi (cos phi = 1) par sortie ; 8 A par groupe (seulement QY10 et QY10-TS)		
Charge de commutation minimale	5 V CC, 1 mA		
Tension de commutation maxi	125 V CC/264 V CA		
Fréquence de commutation maxi	3600 commutations/h		
Temps de réponse	OFF → ON	≤ 10 ms	
	ON → OFF	≤ 12 ms	
Filtre de ligne	—		
Raccordements externes	bornes vissées	bornes à ressort	bornes vissées
Nombre de groupes/ Sorties par groupe	1/16		8/1 (Toutes les sorties sont indépendantes.)
Consommation interne de courant	430 mA		
Poids	0,22 kg		

Module de sortie triac

Données techniques	QY22	
Nombre de sorties	16	
Type de sortie	Triac	
Isolation	Photocoupleur	
Tension nominale de sortie	100 V à 240 V CA	
Courant sous charge maxi	0,6 A par sortie, 4,8 A par module	
Plage de tension	85 à 288 V CA	
Pointe de courant à l'enclenchement	20 A	
Chute de tension maxi à la mise en circuit	≤ 1,5 V	
Charge de commutation minimale	24 V CA (100 mA) 100 V CA (25 mA) 240 V CA (25 mA)	
Courant de fuite lors de sortie déconnectée	≤ 1,5 mA (120 V, 60 Hz) ≤ 3 mA (240 V, 60 Hz)	
Temps de réponse	OFF → ON	0,5 x durée de période + 1 ms maxi
	ON → OFF	
Filtre de ligne	Circuit RC	
Fusible	—	
Raccordements externes	bornes vissées	
Nombre de groupes/ Sorties par groupe	1/16	
Consommation interne de courant	250 mA	
Poids	0,40 kg	

Modules de sortie à transistor

Données techniques	QY40P	QY40P-TS	QY41P	QY42P
Nombre de sorties	16		32	64
Type de sortie	Transistor (à commutation négative)			
Isolation	Photocoupleur			
Tension nominal de sortie	12 V à 24 V CC			
Courant nominal de sortie	0,1 A/sortie, 1,6 A/module		0,1 A/sortie, 2 A/groupe	
Plage de tension	10,2 à 28,8 V CC			
Surintensité à l'enclenchement	0,7 A, ≤ 10 ms			
Chute de tension maxi à la mise en circuit	0,2 V pour 0,1 A			
Courant de fuite lors de sortie déconnectée	≤ 0,1 mA			
Temps de réponse	OFF → ON	≤ 1 ms		
	ON → OFF			
Filtre de ligne	Diode Zener			
Fusible	—			
Raccordements externes	bornes vissées	bornes à ressort	Connecteur à 40 broches	Deux connecteurs à 40 broches
	1/16		1/32	2/32
Alimentation du module	Tension	12 à 24 V CC		
	Courant	10 mA (24 V)	20 mA (24 V)	
Consommation interne de courant	65 mA	105 mA	150 mA	
Poids	0,16 kg	0,15 kg	0,17 kg	

Données techniques	QY50	QY68A
Nombre de sorties	16	8
Type de sortie	Transistor (à commutation négative)	Transistor (à commutation positive/négative)
Isolation	Photocoupleur	
Tension nominal de sortie	12 V à 24 V CC	5 V à 24 V CC
Courant nominal de sortie	0,5 A/sortie, 4 A/module	2 A/sortie, 8 A/module
Plage de tension	10,2 à 28,8 V CC	4,5 à 28,8 V CC
Surintensité à l'enclenchement	4 A, ≤ 10 ms	8 A, ≤ 10 ms
Chute de tension maxi à la mise en circuit	0,3 V pour 0,5 A	0,3 V pour 2 A
Courant de fuite lors de sortie déconnectée	≤ 0,1 mA	
Temps de réponse	OFF → ON	≤ 1 ms
	ON → OFF	
Filtre de ligne	Diode Zener	
Fusible	6,7 A	—
Raccordements externes	bornes vissées	
Nombre de groupes/ Sorties par groupe	1/16	8/1 (Toutes les sorties sont indépendantes.)
	Non nécessaire	
Alimentation du module	Tension	12 à 24 V CC
	Courant	20 mA (pour 24 V)
Consommation interne de courant	80 mA	110 mA
Poids	0,17 kg	0,14 kg

Modules de sortie à transistor

Données techniques		QY70	QY71
Nombre de sorties		16	32
Type de sortie		Transistor (à commutation négative)	
Isolation		Photocoupleur	
Tension nominal de sortie		5 V CC 12 V CC	
Courant nominal de sortie		16 mA/sortie, 256 mA/module	16 mA/sortie, 512 mA/module
Plage de tension		4,5 à 6,5 V CC 10,8 à 15 V CC	
Surintensité à l'enclenchement		40 mA, ≤ 10 ms	
Chute de tension maxi à la mise en circuit		0,3 V CC	
Courant de fuite lors de sortie déconnectée		—	
Temps de réponse	OFF → ON	≤ 0,5 ms	
	ON → OFF		
Filtre de ligne		—	—
Fusible		1,6 A	
Raccordements externes		bornes vissées	Connecteur à 40 broches
Nombre de groupes/Sorties par groupe		1/16	1/32
Alimentation du module	Tension	5/12 V CC	
	Courant	90 mA (pour 12 V)	170 mA (pour 24 V)
Consommation interne de courant		95 mA	150 mA
Poids		0,14 kg	

Données techniques		QY80 QY80-TS	QY81P	QY82P
Nombre de sorties		16	32	64
Type de sortie		Transistor (à commutation positive)		
Isolation		Photocoupleur		
Tension nominal de sortie		12 V à 24 V CC		
Courant nominal de sortie		0,5 A/sortie, 4 A/module	0,1 A/sortie, 2 A/module	
Plage de tension		10,2 à 28,8 V CC		
Surintensité à l'enclenchement		4 A, ≤ 10 ms	0,7 A, ≤ 10 ms	
Chute de tension maxi à la mise en circuit		0,3 V pour 0,5 A	0,2 V pour 0,1 A	
Courant de fuite lors de sortie déconnectée		≤ 0,1 mA		
Temps de réponse	OFF → ON	≤ 1 ms		
	ON → OFF			
Filtre de ligne		Diode Zener		
Fusible		6,7 A	—	—
Raccordements externes		bornes*	Connecteur compact de type Sub-D à 37 broches	Deux connecteurs à 40 broches
Nombre de groupes/Sorties par groupe		1/16	1/32	2/32
Alimentation du module	Tension	12 à 24 V CC		
	Courant	20 mA (24 V)	40 mA (pour 24 V)	
Consommation interne de courant		80 mA	95 mA	160 mA
Poids		0,17 kg	0,15 kg	0,17 kg

* QY80 : bornes vissées; QY80-TS : bornes à ressort

Modules combinés d'entrée/sortie

Données techniques		QH42P	QX48Y57
Nombre d'entrées		32	8
Isolation		Photocoupleur	
Tension nominale		24 V CC	
Plage de tension		20,4 à 28,8 V CC	
Courant nominal d'entrée		env. 4 mA	
Tension/courant pour l'état de signal "ON"		≥ 19V CC/≥ 3 mA	
Tension/courant pour l'état de signal "OFF"		≤ 11 V CC/≤ 1,7 mA	
Résistance d'entrée		ca. 5,6 kΩ	
Temps de réponse (réglable)	OFF → ON	1/5/10/20/70 ms, Préréglage : 10 ms	
	ON → OFF		
Nombre de groupes/Sorties par groupe		1/32	1/8
Nombre de sorties		32	7
Type de sortie		Transistor (à commutation négative)	
Isolation		Photocoupleur	
Tension nominal de sortie		12 à 24 V CC	
Courant nominal de sortie		0,1 A/sortie, 2 A/module	0,5 A/sortie, 2 A/module
Surintensité à l'enclenchement		0,7 A ≤ 10 ms	4 A ≤ 10 ms
Chute de tension maxi à la mise en circuit		0,2 V pour 0,1 A	0,1 V pour 0,5 A
Courant de fuite lors de sortie déconnectée		≤ 0,1 mA	
Temps de réponse	OFF → ON	≤ 1 ms	
	ON → OFF		
Filtre de ligne		Diode Zener	
Modules combinés d'entrée/sortie		—	4 A
Raccordements externes		Deux connecteurs à 40 broches	bornes vissées
Nombre de groupes/Sorties par groupe		1/32	1/7
Alimentation du module	Tension	12 à 24 V CC	
	Courant	15 mA (pour 24 V)	10 mA (pour 24 V)
Consommation interne de courant		130 mA	80 mA
Poids		0,20 kg	0,20 kg

Installation

⚠ DANGER

Toujours couper la tension d'alimentation de l'API et les autres tensions externes avant l'installation et le câblage.

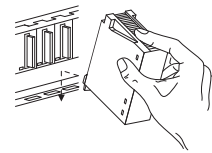
⚠ ATTENTION

- Utiliser l'équipement uniquement sous les conditions environnementales mentionnées dans la description du matériel du MELSEC System Q. Ne pas exposer l'équipement à la poussière, à la fumée d'huile, aux gaz corrosifs ou inflammables, aux fortes vibrations ou forts impacts, aux températures élevées, à la condensation ou à l'humidité.
- Lors de l'installation de l'équipement, veiller à ce qu'aucun copeau ou fragment de fil conducteur ne pénètre dans le module par les fentes d'aération et n'engendre ultérieurement un court-circuit. Utiliser le couvercle fourni pour boucher les fentes d'aération. Ne pas oublier d'enlever le couvercle après avoir installé l'unité afin d'éviter une surchauffe de l'automate.
- Les câbles raccordés aux modules doivent être fixés de manière telle qu'aucune contrainte mécanique excessive ne s'exerce sur les barrettes de raccordement ou les connecteurs.

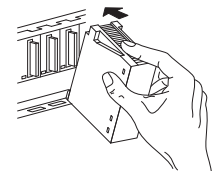
Montage des modules dans l'unité de base

⚠ ATTENTION

- Ne pas ouvrir le boîtier d'un module. Ne pas modifier le module. Au risque d'avoir pour conséquence des défaillances, des blessures et/ou un incendie.
- Faire attention à positionner le module correctement sur la patte de guidage de l'unité de base, sinon il y a un risque de plier les broches dans le connecteur du module.
- Ne jamais toucher aux parties conductrices du module ou aux composants électroniques. Ceci peut entraîner des dysfonctionnements ou des dégâts des modules.



① Après avoir coupé l'alimentation électrique, introduire la patte inférieure du module dans le trou de guidage de l'unité de base.



② Appuyer ensuite fermement le module dans l'unité de base en s'assurant qu'il soit totalement enfoncé dans l'unité de base.

③ Fixer en plus le module avec une vis (M3 x 12) si l'emplacement de montage est soumis à des vibrations. Cette vis n'est pas fournie avec le module.

Raccordement

⚠ DANGER

- Toujours couper la tension d'alimentation de l'API et les autres tensions externes avant l'installation et le câblage.
- Replacer les cache-bornes sur les modules avant de remettre le courant.
- Si un module de sortie est défectueux, il se peut qu'une sortie ne s'active/désactive pas correctement. Toujours prévoir des dispositifs de contrôle permettant une vérification dans les systèmes où une erreur de sortie peut se révéler dangereuse.

Utiliser des câbles de section de 0,3 à 0,75 mm². Les fils dénudés doivent être munis d'embouts et être protégés contre un contact par une gaine isolante.

Câble de raccordement

Les câbles de raccordement préconfectionnés Q32CBL-3M et Q32CBL-5M sont disponibles pour le raccordement à une prise femelle Sub-D à 37 broches (QX81 et QY81P). Pour le raccordement à une prise femelle à 40 broches (QX41, QX42, QX71, QX72, QY41P, QY42P, QY71 et QH42P), les câbles de raccordement préconfectionnés Q40CBL-3M et Q40CBL-5M peuvent être utilisés.

Prière de suivre les instructions suivantes pour éviter des interférences avec les modules d'alimentation ou les autres sources de perturbations :

- Les câbles parcourus par un courant continu ne doivent pas être posés à proximité directe des câbles parcourus par un courant alternatif.
- Les câbles parcourus par des hautes tensions ou des courants élevés doivent être distants des câbles de commande et des câbles de données. L'écart minimal entre ces câbles est de 100 mm.
- Les câbles des entrées et sorties peuvent s'étendre à une longueur maximale de 100 m. Toutefois, il est conseillé de ne pas dépasser 20 m pour éviter d'éventuelles interférences. Tenir compte de la chute de tension dans les câbles.

Raccordement des modules d'entrée

Modules avec bornes à vis (QX10, QX28, QX40, QX40-S1, QX50, QX70, QX80)

L'affectation des broches est inscrite pour les modules d'entrée numérique avec répartiteur amovible sur le module. Prière de tenir compte de cette affectation des bornes lors du câblage.

Modules avec bornes à ressort (QX10-TS, QX40-TS, QX80-TS)

Bornes 1 à 16 : X00 à X0F
Borne 17 : COM (QX10-TS, QX40-TS), Vacant (QX80-TS)
Borne 18 : Vacant (QX10-TS, QX40-TS), COM (QX80-TS)

Module QX81 avec prise femelle Sub-D avec 37 broches

Affectation des broches	Broche	Signal	Broche	Signal
	1	X00	9	X10
	20	X01	28	X11
	2	X02	10	X12
	21	X03	29	X13
	3	X04	11	X14
	22	X05	30	X15
	4	X06	12	X16
	23	X07	31	X17
	5	X08	13	X18
	24	X09	32	X19
	6	X0A	14	X1A
	25	X0B	33	X1B
	7	X0C	15	X1C
	26	X0D	34	X1D
	8	X0E	16	X1E
	27	X0F	35	X1F
	17	COM	37	non affecté
	36	COM	19	
	18	COM		

Modules avec prise embrochable de 40 broches

- QX41, QX41-S1

Affectation des broches		Broche	Signal	Broche	Signal
		B20	X00	A20	X10
		B19	X01	A19	X11
		B18	X02	A18	X12
		B17	X03	A17	X13
		B16	X04	A16	X14
		B15	X05	A15	X15
		B14	X06	A14	X16
		B13	X07	A13	X17
		B12	X08	A12	X18
		B11	X09	A11	X19
		B10	X0A	A10	X1A
		B09	X0B	A09	X1B
		B08	X0C	A08	X1C
		B07	X0D	A07	X1D
		B06	X0E	A06	X1E
		B05	X0F	A05	X1F
		B04	non affecté	A04	non affecté
		B03	COM	A03	non affecté
		B02	COM	A02	non affecté
		B01	COM	A01	non affecté

- QX42, QX42-S1, QX71, QX82, QX82-S1

Des capteurs à commutation négative sont raccordés sur les modules QX42 et QX42-S1 et des capteurs à commutation positive sur les modules QX82 et QX82-S1.

Pour le QX42/QX42-S1, les raccordements COM sont raccordés avec le pôle positif de la tension connectée et pour QX82/QX82-S1 avec le pôle négatif.

Il est possible de raccorder au choix des capteurs à commutation positive ou négative sur le module QX71. Avec des capteurs à commutation positive, le pôle négatif de la tension connectée est raccordé aux raccordements COM. Avec des capteurs à commutation négative, raccorder le pôle positif de la tension d'entrée à COM.

Raccord de gauche				Raccord de droite			
Broche	Signal	Broche	Signal	Broche	Signal	Broche	Signal
1B20	X00	1A20	X10	2B20	X20	2A20	X30
1B19	X01	1A19	X11	2B19	X21	2A19	X31
1B18	X02	1A18	X12	2B18	X22	2A18	X32
1B17	X03	1A17	X13	2B17	X23	2A17	X33
1B16	X04	1A16	X14	2B16	X24	2A16	X34
1B15	X05	1A15	X15	2B15	X25	2A15	X35
1B14	X06	1A14	X16	2B14	X26	2A14	X36
1B13	X07	1A13	X17	2B13	X27	2A13	X37
1B12	X08	1A12	X18	2B12	X28	2A12	X38
1B11	X09	1A11	X19	2B11	X29	2A11	X39
1B10	X0A	1A10	X1A	2B10	X2A	2A10	X3A
1B09	X0B	1A09	X1B	2B09	X2B	2A09	X3B
1B08	X0C	1A08	X1C	2B08	X2C	2A08	X3C
1B07	X0D	1A07	X1D	2B07	X2D	2A07	X3D
1B06	X0E	1A06	X1E	2B06	X2E	2A06	X3E
1B05	X0F	1A05	X1F	2B05	X2F	2A05	X3F
1B04	non affecté	1A04	non affecté	2B04	non affecté	2A04	non affecté
1B03	COM1	1A03	non affecté	2B03	COM2	2A03	non affecté
1B02	COM1	1A02	non affecté	2B02	COM2	2A02	non affecté
1B01	COM1	1A01	non affecté	2B01	COM2	2A01	non affecté

Raccordement des modules de sortie

Modules avec bornes à vis (QY10, QY18, QY22, QY40P, QY68A, QY50, QY70, QY80)

L'affectation des broches est inscrite pour les modules d'entrée numérique avec répartiteur amovible sur le module. Prière de tenir compte de cette affectation des bornes lors du câblage.

Modules avec bornes à ressort (QY10-TS, QY40P-TS, QY80-TS)

Bornes 1 à 16 : Y00 à Y0F
 Borne 17 : COM (QY10-TS), 12-24 V DC (QY40P-TS), COM/12-24 V DC (QY80-TS)
 Borne 18 : Non affecté (QY10-TS), COM/0 V (QY40P-TS), 0 V (QY80-TS)

Module QY81 avec prise femelle Sub-D avec 37 broches

Affectation des broches		Broche	Signal	Broche	Signal
		1	Y00	9	Y10
		20	Y01	28	Y11
		2	Y02	10	Y12
		21	Y03	29	Y13
		3	Y04	11	Y14
		22	Y05	30	Y15
		4	Y06	12	Y16
		23	Y07	31	Y17
		5	Y08	13	Y18
		24	Y09	32	Y19
		6	Y0A	14	Y1A
		25	Y0B	33	Y1B
		7	Y0C	15	Y1C
		26	Y0D	34	Y1D
		8	Y0E	16	Y1E
		27	Y0F	35	Y1F
		17	COM	37	0 V
		36	COM	19	0 V
		18	COM		

Modules avec prise embrochable de 40 broches

- QY41P et QY71

Affectation des broches		Broche	Signal	Broche	Signal
		B20	Y00	A20	Y10
		B19	Y01	A19	Y11
		B18	Y02	A18	Y12
		B17	Y03	A17	Y13
		B16	Y04	A16	Y14
		B15	Y05	A15	Y15
		B14	Y06	A14	Y16
		B13	Y07	A13	Y17
		B12	Y08	A12	Y18
		B11	Y09	A11	Y19
		B10	Y0A	A10	Y1A
		B09	Y0B	A09	Y1B
		B08	Y0C	A08	Y1C
		B07	Y0D	A07	Y1D
		B06	Y0E	A06	Y1E
		B05	Y0F	A05	Y1F
		B04	non affecté	A04	non affecté
		B03	non affecté	A03	non affecté
		B02	V+	A02	COM
		B01	V+	A01	COM

- QY42 et QY82P

Raccord de gauche				Raccord de droite			
Broche	Signal	Broche	Signal	Broche	Signal	Broche	Signal
1B20	Y00	1A20	Y10	2B20	Y20	2A20	Y30
1B19	Y01	1A19	Y11	2B19	Y21	2A19	Y31
1B18	Y02	1A18	Y12	2B18	Y22	2A18	Y32
1B17	Y03	1A17	Y13	2B17	Y23	2A17	Y33
1B16	Y04	1A16	Y14	2B16	Y24	2A16	Y34
1B15	Y05	1A15	Y15	2B15	Y25	2A15	Y35
1B14	Y06	1A14	Y16	2B14	Y26	2A14	Y36
1B13	Y07	1A13	Y17	2B13	Y27	2A13	Y37
1B12	Y08	1A12	Y18	2B12	Y28	2A12	Y38
1B11	Y09	1A11	Y19	2B11	Y29	2A11	Y39
1B10	Y0A	1A10	Y1A	2B10	Y2A	2A10	Y3A
1B09	Y0B	1A09	Y1B	2B09	Y2B	2A09	Y3B
1B08	Y0C	1A08	Y1C	2B08	Y2C	2A08	Y3C
1B07	Y0D	1A07	Y1D	2B07	Y2D	2A07	Y3D
1B06	Y0E	1A06	Y1E	2B06	Y2E	2A06	Y3E
1B05	Y0F	1A05	Y1F	2B05	Y2F	2A05	Y3F
1B04	non affecté	1A04	non affecté	2B04	non affecté	2A04	non affecté
1B03	non affecté	1A03	non affecté	2B03	non affecté	2A03	non affecté

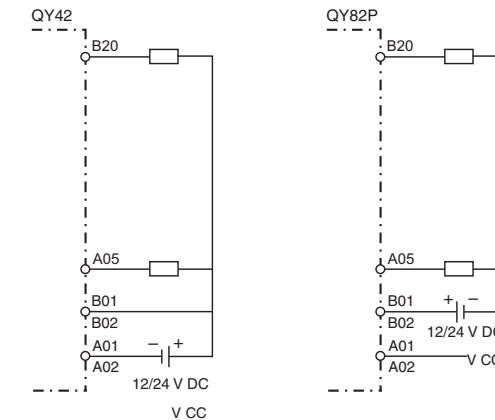
QY42 :

1B02	V+	1A02	COM1	2B02	V+	2A02	COM2
1B01	V+	1A01	COM1	2B01	V+	2A01	COM2

QX82P :

1B02	COM1	1A02	0 V	2B02	COM2	2A02	0 V
1B01	COM1	1A01	0 V	2B01	COM2	2A01	0 V

Raccordement



Raccordement des modules combinés d'entrée/sortie

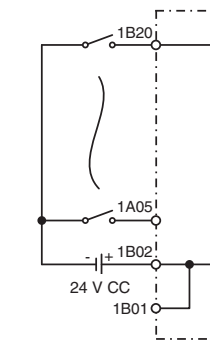
Module QX48Y57 (bornes à vis)

L'affectation des broches est inscrite sur le module QX48Y57. Prière de tenir compte de cette affectation des bornes lors du câblage.

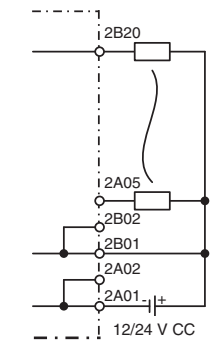
Module QH42P (Deux prises embrochables à 40 broches)

Raccord de gauche				Raccord de droite			
Broche	Signal	Broche	Signal	Broche	Signal	Broche	Signal
1B20	X00	1A20	X10	2B20	Y00	2A20	Y10
1B19	X01	1A19	X11	2B19	Y01	2A19	Y11
1B18	X02	1A18	X12	2B18	Y02	2A18	Y12
1B17	X03	1A17	X13	2B17	Y03	2A17	Y13
1B16	X04	1A16	X14	2B16	Y04	2A16	Y14
1B15	X05	1A15	X15	2B15	Y05	2A15	Y15
1B14	X06	1A14	X16	2B14	Y06	2A14	Y16
1B13	X07	1A13	X17	2B13	Y07	2A13	Y17
1B12	X08	1A12	X18	2B12	Y08	2A12	Y18
1B11	X09	1A11	X19	2B11	Y09	2A11	Y19
1B10	X0A	1A10	X1A	2B10	Y0A	2A10	Y1A
1B09	X0B	1A09	X1B	2B09	Y0B	2A09	Y1B
1B08	X0C	1A08	X1C	2B08	Y0C	2A08	Y1C
1B07	X0D	1A07	X1D	2B07	Y0D	2A07	Y1D
1B06	X0E	1A06	X1E	2B06	Y0E	2A06	Y1E
1B05	X0F	1A05	X1F	2B05	Y0F	2A05	Y1F
1B04	non affecté	1A04	non affecté	2B04	non affecté	2A04	non affecté
1B03	non affecté	1A03	non affecté	2B03	non affecté	2A03	non affecté
1B02	COM1	1A02	non affecté	2B02	V+	2A02	COM2
1B01	COM1	1A01	non affecté	2B01	V+	2A01	COM2

Raccordement des entrées du QH42P



Raccordement des sorties du QH42P



MELSEC System Q

Controllori Programmabili

Manuale d'installazione per moduli I/O digitali

Art. no. 212595 IT, Versione C, 19092011

Avvertenze di sicurezza

Solo per personale elettrico specializzato

Il presente manuale d'installazione si rivolge esclusivamente a personale elettrico specializzato e qualificato, a perfetta conoscenza degli standard di sicurezza elettrotecnica e di automazione. La progettazione, l'installazione, la messa in funzione, la manutenzione e il collaudo degli apparecchi possono essere effettuati solo da personale elettrico specializzato e qualificato. Gli interventi al software e hardware dei nostri prodotti, per quanto non illustrati nel presente manuale d'installazione o in altri manuali, possono essere eseguiti solo dal nostro personale specializzato.

Impiego conforme alla destinazione d'uso

I controllori programmabili (PLC) MELSEC System Q sono previsti solo per i settori d'impiego descritti nel presente manuale d'installazione o nei manuali indicati nel seguito. Abbiate cura di osservare le condizioni generali di esercizio riportate nei manuali. I prodotti sono stati progettati, realizzati, collaudati e documentati nel rispetto delle norme di sicurezza. Interventi non qualificati al software o hardware ovvero l'inosservanza delle avvertenze riportate nel presente manuale d'installazione o stampate sul prodotto possono causare danni seri a persone o cose. Con i controllori programmabili MELSEC System Q si possono utilizzare solo unità aggiuntive o di espansione consigliate da MITSUBISHI ELECTRIC. Ogni altro utilizzo o applicazione che vada oltre quanto illustrato è da considerarsi non conforme.

Norme rilevanti per la sicurezza

Nella progettazione, installazione, messa in funzione, manutenzione e collaudo delle apparecchiature si devono osservare le norme di sicurezza e prevenzione valide per il caso d'utilizzo specifico.

Nel presente manuale d'installazione troverete indicazioni importanti per una corretta e sicura gestione dell'apparecchio. Le singole indicazioni hanno il seguente significato:



PERICOLO

Indica un rischio per l'utilizzatore
L'inosservanza delle misure di prevenzione indicate può mettere a rischio la vita o l'incolumità dell'utilizzatore.



ATTENZIONE

Indica un rischio per le apparecchiature
L'inosservanza delle misure di prevenzione indicate può portare a seri danni all'apparecchio o ad altri beni.

Ulteriori informazioni

Ulteriori informazioni relative alle apparecchiature sono reperibili nei seguenti manuali:

- Descrizione hardware per la serie MELSEC System Q
- Manuale di programmazione per la serie MELSEC A/Q e MELSEC System Q

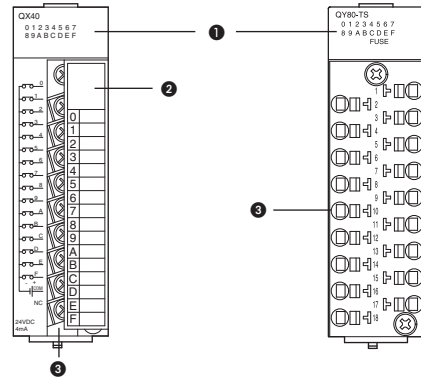
Questi manuali sono gratuitamente disponibili in Internet (www.mitsubishi-automation.it).

Nel caso di domande in merito ai lavori di installazione, programmazione e funzionamento dei controllori MELSEC System Q, non esitate a contattare l'Ufficio Vendite di vostra competenza o uno dei partner commerciali abituali.

Parti

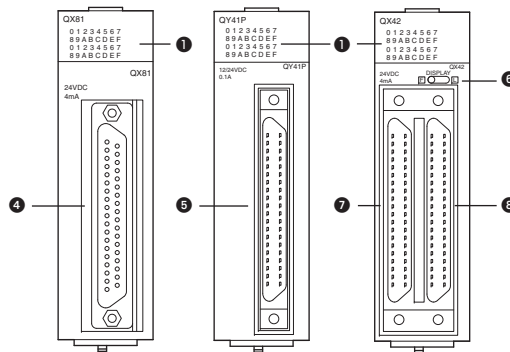
Moduli con morsetti a vite

Moduli con morsetti a molla



Moduli con connettore a 37 poli

Moduli con connettore a 40 poli

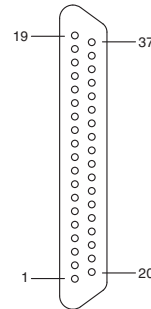


No.	Descrizione
1	Segnalazione LED (per ogni ingresso/uscita è presente un LED rosso che indica lo stato del rispettivo ingresso/della rispettiva uscita (accesso con I/O su ON))
2	Copri-morsetti (ripiegabile)
3	Morsettiere estraibile
4	Connettore D-Sub a 37 poli
5	Connettore a 40 poli
6	Interruttore per scorrere le segnalazioni LED dei moduli con 64 ingressi o uscite: <ul style="list-style-type: none"> ● Posizione F: Segnalazione di stato per i segnali del connettore 1 (ingressi da X00 a X1F ovvero uscite da Y00 a Y1F) Con QH42P: Indicazione di stato per ingressi da X00 a X1F ● Posizione L: Segnalazione di stato per i segnali del connettore 2 (ingressi da X20 a X3F ovvero uscite da Y20 a Y3F) Con QH42P: Indicazione di stato per uscite da Y00 a Y1F
7	Connettore 1
8	Connettore a 40 poli

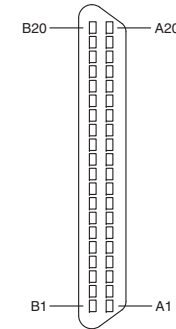
Occupazione pin dei connettori

I connettori sono visualizzati con sguardo rivolto sul modulo.

Connettore D-Sub a 37 poli



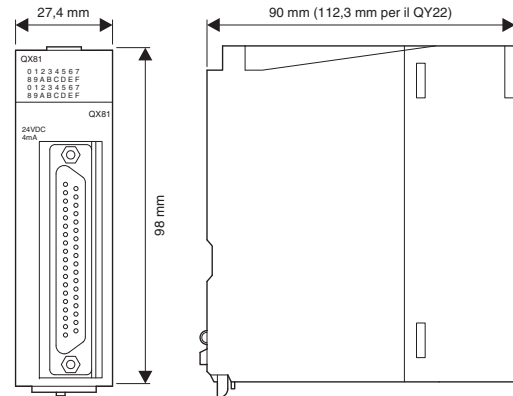
Connettore a 40 poli



Si prega di tenere presente che un connettore a 40 poli non è identico ad un connettore D-Sub. Per il collegamento è possibile utilizzare i connettori A6CON-2, A6CON-3 o A6CON-4 oppure cavi di collegamento preassemblati (vedi paragrafo **Collegamento**).

Dimensioni

Tutti i moduli I/O digitali hanno, ad eccezione del modulo uscita QY22, dimensioni identiche.



Specifiche tecniche

Condizioni di funzionamento generali

Caratteristica	Specifiche tecniche	
Temperatura ambiente	in esercizio	da 0 a 55 °C
	in fase di stoccaggio	da -25 a 75 °C
Umidità aria relativa consentita in fase di esercizio	da 5 a 95 % (senza condensa)	
Condizioni ambientali	Niente gas corrosivi o infiammabili, niente polvere eccessiva	
Punto di montaggio	Nell'armadio elettrico	

Altre condizioni generali d'esercizio sono riportate nella descrizione hardware relativa a MELSEC System Q.

Moduli d'ingresso CA

Specifiche tecniche	QX10 QX10-TS	QX28
Numero degli ingressi	16	8
Isolamento	Optoisolatore	
Tensione nominale	100-120 V CA 50/60 Hz	100-240 V CA 50/60 Hz
Range di voltaggio	85-132 V	85-264 V
Punta max. della corrente di entrata	200 mA per 1 ms (con 132 V CA)	500 mA per 1 ms (con 264 V CA)
Corrente nominale d'ingresso	7 mA (100 V CA, 50 Hz) 8 mA (100 V CA, 60 Hz)	7 mA (100 V CA, 50 Hz) 8 mA (100 V CA, 60 Hz) 14 mA (200 V CA, 50 Hz) 17 mA (200 V CA, 60 Hz)
Tensione/Corrente per stato di segnale "ON"	≥ 80 V CA/≥ 5 mA	
Tensione/Corrente per stato di segnale "OFF"	≤ 30 V CA/≤ 1,7 mA	
Resistenza d'ingresso	15 kΩ (50 Hz) 12 kΩ (60 Hz)	
Tempo di risposta	OFF → ON	≤ 15 ms
	ON → OFF	≤ 20 ms
Collegamenti esterni	Morsetti*	Morsetti a vite
Numero di gruppi/ ingressi per gruppo	1/16	1/8
Assorbimento interno di corrente	50 mA	50 mA
Peso	0,17 kg	0,20 kg

* QX10: morsetti a vite
QX10-TS: morsetti a molla

Moduli d'ingresso CC (24 V CC)

Specifiche tecniche	QX40 QX40-TS	QX40-S1	QX41	QX41-S1	
Numero degli ingressi	16	16	32	32	
Tipo di trasduttori	A circuito negativo				
Isolamento	Optoisolatore				
Tensione nominale	24 V CC				
Range di voltaggio	da 20,4 a 28,8 V CC				
Corrente nominale d'ingresso	4 mA	6 mA	4 mA	4 mA	
Tensione/Corrente per stato di segnale "ON"	≥ 19 V / ≥ 3 mA	≥ 19 V / ≥ 4 mA	≥ 19 V / ≥ 3 mA	≥ 19 V / ≥ 4 mA	
Tensione/Corrente per stato di segnale "OFF"	≤ 11 V / ≤ 1,7 mA			≤ 9,5 V / ≤ 1,5 mA	
Resistenza d'ingresso	5,6 kΩ	3,9 kΩ	5,6 kΩ		
Tempo di risposta (impostabile)	OFF → ON	1/5/ 10/20/ 70 ms	0,1/0,2/ 0,4/0,6/ 1,0 ms	1/5/ 10/20/ 70 ms	0,1/0,2/ 0,4/0,6/ 1,0 ms
	ON → OFF	Preimp- stazione: 10 ms	Preimp- stazione: 0,2 ms	Preimp- stazione: 10 ms	Preimp- stazione: 0,2 ms
Collegamenti esterni	Morsetti*	Morsetti a vite	Una connettore a 40 poli		
Numero di gruppi/ ingressi per gruppo	1/16		1/32		
Assorbimento interno di corrente	50 mA	60 mA	75 mA		
Peso	0,16 kg	0,20 kg	0,15 kg		

* QX40: morsetti a vite, QX40-TS: morsetti a molla

Specifiche tecniche	QX42 QX82	QX42-S1 QX82-S1	QX80 QX80-TS	QX81
	Numero degli ingressi	64	64	16
Tipo di trasduttori	QX42/QX42-S1: A circuito negativo QX82/QX82-S1: A circuito positivo		A circuito positivo	
Isolamento	Optoisolatore			
Tensione nominale	24 V CC			
Range di voltaggio	da 20,4 a 28,8 V CC			
Corrente nominale d'ingresso	4 mA			
Tensione/Corrente per stato di segnale "ON"	≥ 19 V / ≥ 3 mA			
Tensione/Corrente per stato di segnale "OFF"	≤ 11 V / ≤ 1,7 mA	≤ 9,5 V / ≤ 1,5 mA	≤ 11 V / ≤ 1,7 mA	≤ 9,5 V / ≤ 1,5 mA
Resistenza d'ingresso	5,6 kΩ			
Tempo di risposta (impostabile)	OFF → ON	1/5/ 10/20/ 70 ms	0,1/0,2/ 0,4/0,6/ 1,0 ms	1/5/10/20/70 ms
	ON → OFF	Preimp- stazione: 10 ms	Preimp- stazione: 0,2 ms	Preimp- stazione: 10 ms
Collegamenti esterni	Due connettori a 40 poli		Morsetti*	Connetto- re compa- to D-Sub a 37 poli
Numero di gruppi/ ingressi per gruppo	2/32		1/16	1/32
Assorbimento interno di corrente	90 mA		50 mA	75 mA
Peso	0,18 kg		0,16 kg	

* QX80: morsetti a vite, QX80-TS: morsetti a molla

Moduli d'ingresso CC (5/12 V CC)

Specifiche tecniche	QX70	QX71	QX72
Numero degli ingressi	16	32	64
Tipo di trasduttori	A scelta a circuito positivo o negativo		
Isolamento	Optoisolatore		
Tensione nominale	5 V CC/12 V CC		
Range di voltaggio	da 4,25 a 6 V/da 10,2 a 14,4 V		
Corrente nominale d'ingresso	5 V CC: 1,2 mA/12 V CC: 3,3 mA		
Tensione/Corrente per stato di segnale "ON"	≥ 3,5 V / ≥ 1 mA		≥ 3,5 V / ≥ 3 mA
Tensione/Corrente per stato di segnale "OFF"	≤ 1 V / ≤ 0,1 mA		
Resistenza d'ingresso	3,3 kΩ		
Tempo di risposta (impostabile)	OFF → ON	1/5/10/20/70 ms	
	ON → OFF	Preimp- stazione: 10 ms	
Collegamenti esterni	Morsetti a vite	Una connettore a 40 poli	Due connettori a 40 poli
Numero di gruppi/ ingressi per gruppo	1/16	1/32	2/32
Assorbimento interno di corrente	55 mA	70 mA	85 mA
Peso	0,14 kg	0,12 kg	0,13 kg

Modulo d'ingresso CC/CA (48 V)

Specifiche tecniche	QX50	
	Ingresso CC	Ingresso CA
Numero degli ingressi	16	
Tipo di trasduttori	A scelta a circuito positivo o negativo	
Isolamento	Optoisolatore	
Tensione nominale	48 V CC	48 V CA
Range di voltaggio	da 40,8 a 57,6 V CC	da 40,8 a 52,8 V
Corrente nominale d'ingresso	ca. 4 mA	
Tensione/Corrente per stato di segnale "ON"	≥ 28 V / ≥ 2,5 mA	
Tensione/Corrente per stato di segnale "OFF"	≤ 10 V / ≤ 1,0 mA	
Resistenza d'ingresso	11,2 kΩ	
Tempo di risposta	OFF → ON	≤ 5 ms
	ON → OFF	≤ 20 ms
Collegamenti esterni	Morsetti a vite	
Numero di gruppi/ ingressi per gruppo	1/16	
Assorbimento interno di corrente	50 mA	
Peso	0,13 kg	

Moduli di uscita a relè

Specifiche tecniche	QY10	QY10-TS	QY18A
Numero di uscite	16		8
Tipo di uscita	Relè		
Isolamento	Relè		
Tensione/Corrente di commutazione nominale	24 V CC, 2 A (carico ohmico) per uscita 240 V CA, 2 A (cosφ = 1) per uscita max. 8 A per gruppo (solo QY10 e QY10-TS)		
Carico min. di commutazione	5 V CC, 1 mA		
Tensione max. di commutazione	125 V CC/264 V CA		
Frequenza max. di commutazione	3600 passaggi/h		
Tempo di risposta	OFF → ON	≤ 10 ms	
	ON → OFF	≤ 12 ms	
Filtro di rete	—		
Collegamenti esterni	Morsetti a vite	Morsetti a molla	Morsetti a vite
Numero gruppi/uscite per gruppo	1/16		8/1 (Tutte le uscite sono indipendenti)
Assorbimento interno di corrente	430 mA		
Peso	0,22 kg		

Modulo d'uscita triac

Specifiche tecniche	QY22
Numero di uscite	16
Tipo di uscita	Triac
Isolamento	Optoisolatore
Tensione d'uscita nominale	da 100 V a 240 V CA
Corrente di carico max.	0,6 A per uscita, 4,8 A per modulo
Range di voltaggio	da 85 a 288 V CA
Punta della corrente di entrata	20 A
Caduta di tensione max. in fase di accensione	≤ 1,5 V
Carico min. di commutazione	24 V CA (100 mA) 100 V CA (25 mA) 240 V CA (25 mA)
Corrente di dispersione con uscita disinserita	≤ 1,5 mA (120 V, 60 Hz) ≤ 3 mA (240 V, 60 Hz)
Tempo di risposta	OFF → ON ON → OFF
Filtro di rete	Resistore-condensatore
Fusibile	—
Collegamenti esterni	Morsetti a vite
Numero gruppi/uscite per gruppo	1/16
Assorbimento interno di corrente	250 mA
Peso	0,40 kg

Moduli di uscita a transistor

Specifiche tecniche	QY40P	QY40P-TS	QY41P	QY42P
Numero di uscite	16	16	32	64
Tipo di uscita	Transistor (circuito negativo)			
Isolamento	Optoisolatore			
Tensione d'uscita nominale	da 12 V a 24 V CC			
Corrente nominale d'uscita	0,1 A/uscita, 1,6 A/modulo	0,1 A/uscita, 2 A/gruppo		
Range di voltaggio	da 10,2 a 28,8 V CC			
Punta della corrente di entrata	0,7 A, ≤ 10 ms			
Caduta di tensione max. con uscita ON	0,2 V con 0,1 A			
Corrente di dispersione con uscita disinserita	≤ 0,1 mA			
Tempo di risposta	OFF → ON	≤ 1 ms		
	ON → OFF	—		
Filtro di rete	Diodo Z			
Fusibile	—			
Collegamenti esterni	Morsetti a vite	Morsetti a molla	Connetto- re a 40 poli	Due connettori a 40 poli
Numero gruppi/uscite per gruppo	1/16		1/32	2/32
Alimenta- zione del modulo	Tensione	da 12 a 24 V CC		
	Corrente	10 mA (24 V)	20 mA (24 V)	
Assorbimento interno di corrente	65 mA	105 mA	150 mA	
Peso	0,16 kg	0,15 kg	0,17 kg	

Specifiche tecniche	QY50	QY68A
Numero di uscite	16	8
Tipo di uscita	Transistor (circuito negativo)	Transistor (circuito positivo/negativo)
Isolamento	Optoisolatore	
Tensione d'uscita nominale	da 12 V a 24 V CC	da 5 V a 24 V CC
Corrente nominale d'uscita	0,5 A/uscita, 4 A/modulo	2 A/uscita, 8 A/modulo
Range di voltaggio	da 10,2 a 28,8 V CC	da 4,5 a 28,8 V CC
Punta della corrente di entrata	4 A, ≤ 10 ms	8 A, ≤ 10 ms
Caduta di tensione max. con uscita ON	0,3 V con 0,5 A	0,3 V con 2 A
Corrente di dispersione con uscita disinserita	≤ 0,1 mA	
Tempo di risposta	OFF → ON	≤ 3 ms
	ON → OFF	≤ 10 ms
Filtro di rete	Diodo Z	
Fusibile	6,7 A	—
Collegamenti esterni	Morsetti a vite	
Numero gruppi/uscite per gruppo	1/16	8/1 (Tutte le uscite sono indipendenti.)
Alimenta- zione del modulo	Tensione	da 12 a 24 V CC
	Corrente	20 mA (con 24 V)
Assorbimento interno di corrente	80 mA	110 mA
Peso	0,17 kg	0,14 kg

Moduli di uscita a transistor

Specifiche tecniche		QY70	QY71
Numero di uscite		16	32
Tipo di uscita		Transistor (circuito negativo)	
Isolamento		Optoisolatore	
Tensione d'uscita nominale		5 V CC 12 V CC	
Corrente nominale d'uscita		16 mA/uscita, 256 mA/modulo	16 mA/uscita, 512 mA/modulo
Range di voltaggio		da 4,5 a 6,5 V CC da 10,8 a 15 V CC	
Punta della corrente di entrata		40 mA, ≤ 10 ms	
Caduta di tensione max. con uscita ON		0,3 V CC	
Corrente di dispersione con uscita disinserita		—	
Tempo di risposta	OFF → ON	≤ 0,5 ms	
	ON → OFF		
Filtro di rete		—	—
Fusibile		1,6 A	
Collegamenti esterni		Morsetti a vite	Connettore a 40 poli
Numero gruppi/uscite per gruppo		1/16	1/32
Alimentazione del modulo	Tensione	5/12 V CC	
	Corrente	90 mA (con 12 V)	170 mA (con 24 V)
Assorbimento interno di corrente		95 mA	150 mA
Peso		0,14 kg	

Specifiche tecniche		QY80 QY80-TS	QY81P	QY82P
Numero di uscite		16	32	64
Tipo di uscita		Transistor (circuito positivo)		
Isolamento		Optoisolatore		
Tensione d'uscita nominale		da 12 V a 24 V CC		
Corrente nominale d'uscita		0,5 A/uscita, 4 A/modulo	0,1 A/uscita, 2 A/modulo	
Range di voltaggio		da 10,2 a 28,8 V CC		
Punta della corrente di entrata		4 A, ≤ 10 ms	0,7 A, ≤ 10 ms	
Caduta di tensione max. con uscita ON		0,3 V con 0,5 A	0,2 V con 0,1 A	
Corrente di dispersione con uscita disinserita		≤ 0,1 mA		
Tempo di risposta	OFF → ON	≤ 1 ms		
	ON → OFF			
Filtro di rete		Diodo Z		
Fusibile		6,7 A	—	—
Collegamenti esterni		Morsetti*	Connettore compatto D-Sub a 37 poli	Due connettori a 40 poli
Numero gruppi/uscite per gruppo		1/16	1/32	2/32
Alimentazione del modulo	Tensione	da 12 a 24 V CC		
	Corrente	20 mA (24 V)	40 mA (con 24 V)	
Assorbimento interno di corrente		80 mA	95 mA	160 mA
Peso		0,17 kg	0,15 kg	0,17 kg

* QY80: morsetti a vite; QY80-TS: morsetti a molla

Moduli ingresso/uscita combinati

Specifiche tecniche		QH42P	QX48Y57
Numero degli ingressi		32	8
Isolamento		Optoisolatore	
Tensione nominale		24 V CC	
Range di voltaggio		da 20,4 a 28,8 V CC	
Corrente nominale d'ingresso		ca. 4 mA	
Tensione/Corrente per stato di segnale "ON"		≥ 19 V CC/≥ 3 mA	
Tensione/Corrente per stato di segnale "OFF"		≤ 11 V CC/≤ 1,7 mA	
Resistenza d'ingresso		ca. 5,6 kΩ	
Tempo di risposta (imposta- bile)	OFF → ON	1/5/10/20/70 ms, Preimpostazione: 10 ms	
	ON → OFF		
Numero di gruppi/ ingressi per gruppo		1/32	1/8
Numero di uscite		32	7
Tipo di uscita		Transistor (circuito negativo)	
Isolamento		Optoisolatore	
Tensione d'uscita nominale		da 12 a 24 V CC	
Corrente nominale d'uscita		0,1 A/uscita, 2 A/modulo	0,5 A/uscita, 2 A/modulo
Punta della corrente di entrata		0,7 A ≤ 10 ms	4 A ≤ 10 ms
Caduta di tensione max. con uscita ON		0,2 V con 0,1 A	0,1 V con 0,5 A
Corrente di dispersione con uscita disinserita		≤ 0,1 mA	
Tempo di risposta	OFF → ON	≤ 1 ms	
	ON → OFF		
Filtro di rete		Diodo Z	
Fusibile		—	4 A
Collegamenti esterni		Due connettori a 40 poli	Morsetti a vite
Numero gruppi/uscite per gruppo		1/32	1/7
Alimentazione del modulo	Tensione	da 12 a 24 V CC	
	Corrente	15 mA (con 24 V)	10 mA (con 24 V)
Assorbimento interno di corrente		130 mA	80 mA
Peso		0,20 kg	0,20 kg

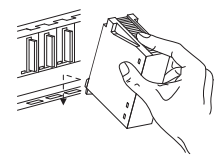
Installazione

PERICOLO	
<p>Prima di effettuare l'installazione e l'allacciamento, disinserire la tensione d'alimentazione del PLC ed altre tensioni esterne.</p>	

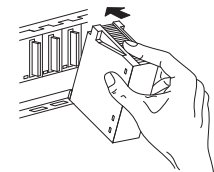
ATTENZIONE	
<p>● Osservare durante l'esercizio degli apparecchi le condizioni ambientali indicate nelle istruzioni sull'hardware di MELSEC System Q. Evitare l'esercizio degli apparecchi in un ambiente esposto a polvere, olio, gas corrosivi e infiammabili, forti vibrazioni o scosse, temperature elevate e formazione di condensa o umidità.</p>	
<p>● Fare attenzione durante il montaggio a non fare giungere trucioli di metallo o resti di fili metallici attraverso le fessure di ventilazione all'interno del dispositivo, circostanza che potrebbe essere causa di successivi corto circuiti. Utilizzare l'apposita copertura fornita in dotazione per proteggere le fessure di ventilazione. Una volta terminate le operazioni d'installazione, rimuovere questo coperchio, per evitare un surriscaldamento del controllore.</p>	
<p>● I cavi connessi ai moduli devono essere collegati in modo da non esporre morsetteria o connettori ad un eccessivo carico meccanico.</p>	

Montaggio dei moduli sul rack

ATTENZIONE	
<p>● Non aprire la cassa di un modulo. Fare attenzione a non modificare il modulo. Ne possono risultare anomalie, lesioni e/o incendi.</p>	
<p>● Se il modulo non viene correttamente posizionato sul rack tramite il listello di guida, i piedini del connettore del modulo possono distorcersi.</p>	



① Una volta disinserita la tensione di rete, introdurre il modulo nella guida del rack con la linguetta inferiore.



② Fare quindi pressione sul modulo contro il rack, fino a farlo aderire completamente al rack.

③ Fissare il modulo con una vite supplementare (M3 x 12), se si prevedono delle vibrazioni. Questa vite non rientra nella dotazione dei moduli.

Collegamento

PERICOLO	
<p>● Prima di effettuare l'installazione e l'allacciamento, disinserire la tensione d'alimentazione del PLC ed altre tensioni esterne.</p>	
<p>● Prima di dare tensione, chiudere il coperchio morsetti dei moduli.</p>	
<p>● Può succedere che un modulo di uscita difettoso sia causa di un inserimento o disinserimento non corretto dell'uscita. Dotare quindi le uscite che possono causare problemi gravi di un dispositivo di sorveglianza.</p>	

Eseguire il collegamento utilizzando cavi con un diametro compreso tra 0,3 a 0,75 mm². I cavi devono essere dotati di terminali a bussola a protezione da eventuali contatti.

Cavo di collegamento

Il collegamento ad un connettore D-Sub a 37 poli (QX81 e QY81P) è effettuato tramite cavi preconfezionati di tipo Q32CBL-3M e Q32CBL-5M. Il collegamento ad un connettore a 40 poli (QX41, QX42, QX71, QX72, QY41P, QY42P, QY71 e QH42P) è effettuato tramite cavi preconfezionati di tipo Q40CBL-3M e Q40CBL-5M.

Al fine di limitare le influenze derivanti da adattatori di rete o altre fonti di interferenza, osservare le seguenti indicazioni:

- Evitare la posa di linee a corrente continua nelle immediate vicinanze di linee a corrente alternata.
- Compire la posa di linee a tensione o corrente elevate separatamente da linee dati e di comando. Mantenere una distanza minima tra queste linee di 100 mm.
- Per linee riservate a ingressi e uscite è consentita un'estensione fino ad lunghezza massima di 100 m. Allo scopo di evitare interferenze e mantenere un esercizio sicuro, si consiglia di limitare la lunghezza delle linee a 20 m. Tenere presente il livello di caduta di tensione all'interno delle linee.

Collegamento dei moduli d'ingresso

Moduli con morsetti a vite (QX10, QX28, QX40, QX40-S1, QX50, QX70, QX80)

Gli schemi di connessione per i moduli d'ingresso digitali con morsetteria estraibile sono stampati direttamente sul modulo. Si prega di osservare tali schemi in sede di cablaggio.

Moduli con morsetti a molla (QX10-TS, QX40-TS, QX80-TS)

Morsetti da 1 a 16: da X00 a X0F

Morsetto 17: COM (QX10-TS, QX40-TS), vuoto (QX80-TS)

Morsetto 18: vuoto (QX10-TS, QX40-TS), COM (QX80-TS)

Modulo QX81 con connettore D-Sub a 37 poli

Schemi di connessione	Pin	Segnale	Pin	Segnale
	1	X00	9	X10
	20	X01	28	X11
	2	X02	10	X12
	21	X03	29	X13
	3	X04	11	X14
	22	X05	30	X15
	4	X06	12	X16
	23	X07	31	X17
	5	X08	13	X18
	24	X09	32	X19
	6	X0A	14	X1A
	25	X0B	33	X1B
	7	X0C	15	X1C
	26	X0D	34	X1D
	8	X0E	16	X1E
	27	X0F	35	X1F
	17	COM	37	Non occupato
	36	COM	19	
18	COM			

Moduli con connettore a 40 poli

- QX41, QX41-S1

Schemi di connessione	Pin	Segnale	Pin	Segnale
	B20	X00	A20	X10
	B19	X01	A19	X11
	B18	X02	A18	X12
	B17	X03	A17	X13
	B16	X04	A16	X14
	B15	X05	A15	X15
	B14	X06	A14	X16
	B13	X07	A13	X17
	B12	X08	A12	X18
	B11	X09	A11	X19
	B10	X0A	A10	X1A
	B09	X0B	A09	X1B
	B08	X0C	A08	X1C
	B07	X0D	A07	X1D
	B06	X0E	A06	X1E
	B05	X0F	A05	X1F
	B04	Non occupato	A04	Non occupato
	B03	COM	A03	COM
B02	COM	A02	Non occupato	
B01	COM	A01	Non occupato	

- QX42, QX42-S1, QX71, QX82, QX82-S1

Sui moduli QX42 e QX42-S1 sono collegati sensori a circuito negativo e sui moduli QX82 e QX82-S1 dei sensori a circuito positivo.

I collegamenti COM dei moduli QX42/QX42-S1 sono allacciati al polo positivo della tensione inserita, mentre per i moduli QX82/QX82-S1 l'allacciamento è eseguito con il polo negativo.

Il modulo QX71 consente a scelta l'allacciamento di sensori a circuito positivo o negativo. In presenza di sensori a circuito positivo, i collegamenti COM sono allacciati al polo negativo della tensione inserita. In presenza di sensori negativi, i collegamenti COM sono invece allacciati al polo positivo della tensione d'ingresso.

Connettore sinistro				Connettore destro			
Pin	Segnale	Pin	Segnale	Pin	Segnale	Pin	Segnale
1B20	X00	1A20	X10	2B20	X20	2A20	X30
1B19	X01	1A19	X11	2B19	X21	2A19	X31
1B18	X02	1A18	X12	2B18	X22	2A18	X32
1B17	X03	1A17	X13	2B17	X23	2A17	X33
1B16	X04	1A16	X14	2B16	X24	2A16	X34
1B15	X05	1A15	X15	2B15	X25	2A15	X35
1B14	X06	1A14	X16	2B14	X26	2A14	X36
1B13	X07	1A13	X17	2B13	X27	2A13	X37
1B12	X08	1A12	X18	2B12	X28	2A12	X38
1B11	X09	1A11	X19	2B11	X29	2A11	X39
1B10	X0A	1A10	X1A	2B10	X2A	2A10	X3A
1B09	X0B	1A09	X1B	2B09	X2B	2A09	X3B
1B08	X0C	1A08	X1C	2B08	X2C	2A08	X3C
1B07	X0D	1A07	X1D	2B07	X2D	2A07	X3D
1B06	X0E	1A06	X1E	2B06	X2E	2A06	X3E
1B05	X0F	1A05	X1F	2B05	X2F	2A05	X3F
1B04	Non occupato	1A04	Non occupato	2B04	Non occupato	2A04	Non occupato
1B03	COM	1A03	COM	2B03	COM	2A03	COM
1B02	COM1	1A02	COM1	2B02	COM2	2A02	COM2
1B01	COM1	1A01	COM1	2B01	COM2	2A01	COM2

Collegamento dei moduli d'uscita

Moduli con morsetti a vite (QY10, QY18, QY22, QY40P, QY68A, QY50, QY70, QY80)

Gli schemi di connessione per i moduli d'ingresso digitali con morsetteria estraibile sono stampati direttamente sul modulo. Si prega di osservare tali schemi in sede di cablaggio.

Moduli con morsetti a molla (QY10-TS, QY40P-TS, QY80-TS)

Morsetti da 1 a 16: da X00 a X0F
 Morsetto 17: COM (QY10-TS), 12-24 V DC (QY40P-TS), COM/12-24 V DC (QY80-TS)
 Morsetto 18: vuoto (QY10-TS), COM/0 V (QY40P-TS), 0 V (QY80-TS)

Modulo QX81 con connettore D-Sub a 37 poli

Schemi di connessione	Pin	Segnale	Pin	Segnale
	1	Y00	9	Y10
	20	Y01	28	Y11
	2	Y02	10	Y12
	21	Y03	29	Y13
	3	Y04	11	Y14
	22	Y05	30	Y15
	4	Y06	12	Y16
	23	Y07	31	Y17
	5	Y08	13	Y18
	24	Y09	32	Y19
	6	Y0A	14	Y1A
	25	Y0B	33	Y1B
	7	Y0C	15	Y1C
	26	Y0D	34	Y1D
	8	Y0E	16	Y1E
	27	Y0F	35	Y1F
	17	COM	37	0 V
	36	COM	19	0 V
18	COM			

Moduli con connettore a 40 poli

- QY41P und QY71

Schemi di connessione	Pin	Segnale	Pin	Segnale
	B20	Y00	A20	Y10
	B19	Y01	A19	Y11
	B18	Y02	A18	Y12
	B17	Y03	A17	Y13
	B16	Y04	A16	Y14
	B15	Y05	A15	Y15
	B14	Y06	A14	Y16
	B13	Y07	A13	Y17
	B12	Y08	A12	Y18
	B11	Y09	A11	Y19
	B10	Y0A	A10	Y1A
	B09	Y0B	A09	Y1B
	B08	Y0C	A08	Y1C
	B07	Y0D	A07	Y1D
	B06	Y0E	A06	Y1E
	B05	Y0F	A05	Y1F
	B04	Non occupato	A04	Non occupato
	B03	COM	A03	COM
B02	V+	A02	COM	
B01	V+	A01	COM	

- QY42 e QY82P

Connettore sinistro				Connettore destro			
Pin	Segnale	Pin	Segnale	Pin	Segnale	Pin	Segnale
1B20	Y00	1A20	Y10	2B20	Y20	2A20	Y30
1B19	Y01	1A19	Y11	2B19	Y21	2A19	Y31
1B18	Y02	1A18	Y12	2B18	Y22	2A18	Y32
1B17	Y03	1A17	Y13	2B17	Y23	2A17	Y33
1B16	Y04	1A16	Y14	2B16	Y24	2A16	Y34
1B15	Y05	1A15	Y15	2B15	Y25	2A15	Y35
1B14	Y06	1A14	Y16	2B14	Y26	2A14	Y36
1B13	Y07	1A13	Y17	2B13	Y27	2A13	Y37
1B12	Y08	1A12	Y18	2B12	Y28	2A12	Y38
1B11	Y09	1A11	Y19	2B11	Y29	2A11	Y39
1B10	Y0A	1A10	Y1A	2B10	Y2A	2A10	Y3A
1B09	Y0B	1A09	Y1B	2B09	Y2B	2A09	Y3B
1B08	Y0C	1A08	Y1C	2B08	Y2C	2A08	Y3C
1B07	Y0D	1A07	Y1D	2B07	Y2D	2A07	Y3D
1B06	Y0E	1A06	Y1E	2B06	Y2E	2A06	Y3E
1B05	Y0F	1A05	Y1F	2B05	Y2F	2A05	Y3F
1B04	Non occupato	1A04	Non occupato	2B04	Non occupato	2A04	Non occupato
1B03	COM	1A03	COM	2B03	COM	2A03	COM

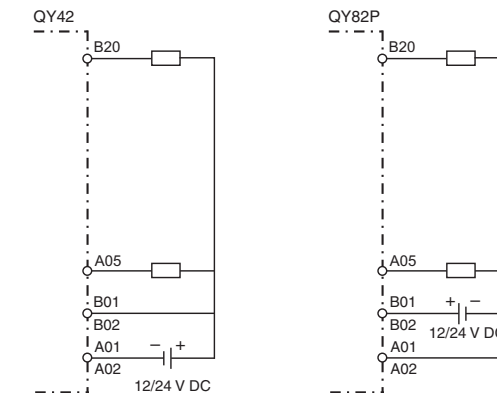
QY42:

1B02	V+	1A02	COM1	2B02	V+	2A02	COM2
1B01	V+	1A01	COM1	2B01	V+	2A01	COM2

QX82P:

1B02	COM1	1A02	0 V	2B02	COM2	2A02	0 V
1B01	COM1	1A01	0 V	2B01	COM2	2A01	0 V

Schemi di connessione



Collegamento dei moduli d'ingresso/d'uscita combinati

Modulo QX48Y57 (morsetti a vite)

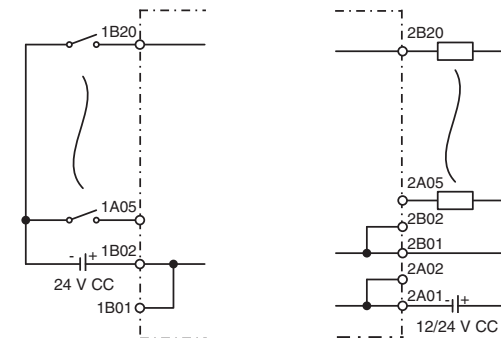
Lo schema di connessione per il modulo QX48Y57 è stampato direttamente sul modulo. Si prega di osservare tale schema in sede di cablaggio.

Modulo QH42P (Due connettori a 40 poli)

Connettore sinistro				Connettore destro			
Pin	Segnale	Pin	Segnale	Pin	Segnale	Pin	Segnale
1B20	X00	1A20	X10	2B20	Y00	2A20	Y10
1B19	X01	1A19	X11	2B19	Y01	2A19	Y11
1B18	X02	1A18	X12	2B18	Y02	2A18	Y12
1B17	X03	1A17	X13	2B17	Y03	2A17	Y13
1B16	X04	1A16	X14	2B16	Y04	2A16	Y14
1B15	X05	1A15	X15	2B15	Y05	2A15	Y15
1B14	X06	1A14	X16	2B14	Y06	2A14	Y16
1B13	X07	1A13	X17	2B13	Y07	2A13	Y17
1B12	X08	1A12	X18	2B12	Y08	2A12	Y18
1B11	X09	1A11	X19	2B11	Y09	2A11	Y19
1B10	X0A	1A10	X1A	2B10	Y0A	2A10	Y1A
1B09	X0B	1A09	X1B	2B09	Y0B	2A09	Y1B
1B08	X0C	1A08	X1C	2B08	Y0C	2A08	Y1C
1B07	X0D	1A07	X1D	2B07	Y0D	2A07	Y1D
1B06	X0E	1A06	X1E	2B06	Y0E	2A06	Y1E
1B05	X0F	1A05	X1F	2B05	Y0F	2A05	Y1F
1B04	Non occupato	1A04	Non occupato	2B04	Non occupato	2A04	Non occupato
1B03	COM	1A03	COM	2B03	COM	2A03	COM
1B02	COM1	1A02	COM1	2B02	V+	2A02	COM2
1B01	COM1	1A01	COM1	2B01	V+	2A01	COM2

Cablaggio degli ingressi del QH42P

Cablaggio delle uscite del QH42P



MELSEC System Q

Controladores lógicos programables

Instrucciones de instalación para módulos digitales de entrada/salida

Nº de art.: 212595 ES, versión C, 19092011

Indicaciones de seguridad

Sólo para electricistas profesionales debidamente cualificados

Estas instrucciones de instalación están dirigidas exclusivamente a electricistas profesionales reconocidos que estén perfectamente familiarizados con los estándares de seguridad de la electrotécnica y de la técnica de automatización. La proyección, la instalación, la puesta en servicio, el mantenimiento y el control de los dispositivos tienen que ser llevados a cabo exclusivamente por electricistas profesionales reconocidos. Manipulaciones en el hardware o en el software de nuestros productos que no estén descritas en estas instrucciones de instalación o en otros manuales, pueden ser realizadas únicamente por nuestros especialistas.

Empleo reglamentario

Los controladores lógicos programables (PLCs) del sistema Q de MELSEC han sido diseñados exclusivamente para los campos de aplicación que se describen en las presentes instrucciones de instalación o en los manuales indicados más abajo. Hay que atenerse a las condiciones de operación indicadas en los manuales. Los productos han sido desarrollados, fabricados, controlados y documentados en conformidad con las normas de seguridad pertinentes. Manipulaciones en el hardware o en el software por parte de personas no cualificadas, así como el incumplimiento de las indicaciones de advertencia contenidas en estas instrucciones de instalación o colocadas en el producto, pueden tener como consecuencia graves daños personales y materiales. En combinación con los controladores lógicos programables del sistema Q de MELSEC sólo se permite el empleo de los dispositivos adicionales o de ampliación recomendados por MITSUBISHI ELECTRIC. Todo empleo o aplicación distinto o más amplio del indicado se considerará como no reglamentario.

Normas relevantes para la seguridad

Al realizar trabajos de proyección, instalación, puesta en servicio, mantenimiento y control de los dispositivos, se deben observar las normas de seguridad y de prevención de accidentes vigentes para la aplicación específica. En estas instrucciones de instalación hay una serie de indicaciones importantes para el manejo seguro y adecuado del dispositivo. A continuación se recoge el significado de cada una de las indicaciones:



PELIGRO

Advierte de un peligro para el usuario
El incumplimiento de las medidas de seguridad indicadas puede tener como consecuencia un peligro para la vida o la salud del usuario.



ATENCIÓN

Advierte de un peligro para el dispositivo u otros aparatos
El incumplimiento de las medidas de seguridad indicadas puede tener como consecuencia graves daños en el dispositivo o en otros bienes materiales.

Otras informaciones

Los manuales siguientes contienen más información acerca de los dispositivos:

- Descripción del hardware del sistema Q de MELSEC
- Instrucciones de programación para la serie A/Q de MELSEC y para el sistema Q de MELSEC, nº de art. 87432

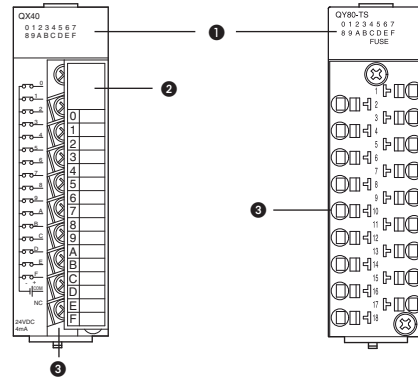
Estos manuales están a su disposición de forma gratuita en Internet (www.mitsubishi-automation.es).

Si se le presentaran dudas acerca de la instalación, programación y la operación de los controladores del sistema Q de MELSEC, no dude en ponerse en contacto con su oficina de ventas o con uno de sus vendedores autorizados.

Elementos de mando

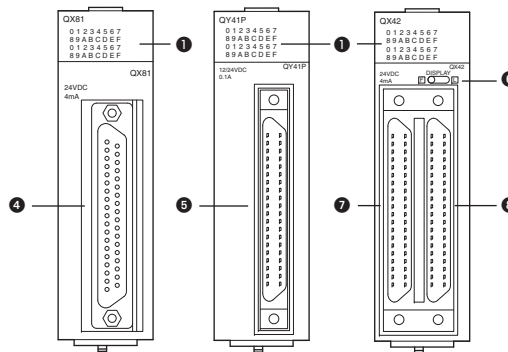
Módulos con bornes de tornillo

Módulos con bornes de resorte



Módulos con hembrilla de 37 polos

Módulos con conector de 40 polos

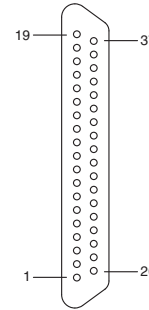


Nº	Descripción
1	Indicación LED (para cada entrada/salida hay un LED rojo que indica el estado de la entrada/salida correspondiente (iluminado = ON))
2	Cubierta de bornes (abatible)
3	Bloqueo de bornes desmontable
4	Hembrilla D-Sub con 37 polos
5	Hembrilla de 40 polos
6	Interruptor para la conmutación de la indicación LED en módulos de 64 entradas/salidas: <ul style="list-style-type: none"> ● Posición F: Indicación de estado para las señales en la hembrilla 1 (entradas X00 hasta X1F ó bien salidas Y00 hasta Y1F). Con QH42P: Indicación de estado para entradas X00 hasta X1F ● Posición L: Indicación de estado para las señales en la hembrilla 2 (entradas X20 hasta X3F ó bien salidas Y20 hasta Y3F). Con QH42P: Indicación de estado para salidas Y00 hasta Y1F
7	Hembrilla 1
8	Hembrilla de 40 polos Hembrilla 2

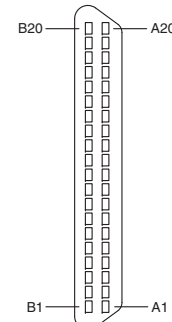
Ocupación de los pines de los conectores

Los conectores se representan con el módulo visto de frente.

Hembrilla D-Sub con 37 polos



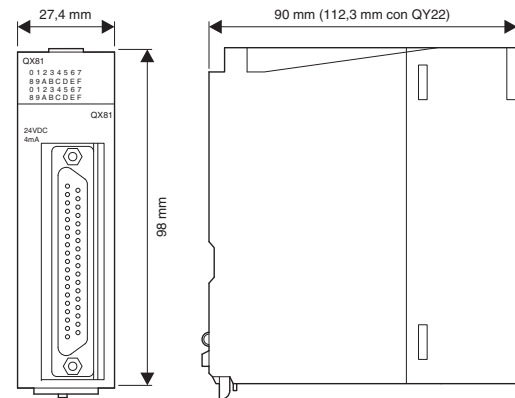
Hembrilla de 40 polos



Tenga en cuenta que el conector de 40 polos no es un conector hembra D-Sub. Para la conexión es posible emplear las clavijas A6CON-2, A6CON-3, A6CON-4 ó cables ya prefabricados (ver sección **Conexión**).

Dimensiones

A excepción del módulo de salida QY22, todos los módulos digitales E/S tienen las mismas dimensiones.



Datos técnicos

Condiciones generales de operación

Característica	Datos técnicos	
Temperatura ambiente	en funcionamiento	Entre 0 y 55 °C
	en almacenamiento	Entre -25 y 75 °C
Humedad relativa del aire permitida durante el funcionamiento	De 5 a 95 % (sin condensación)	
Condiciones ambientales	Sin gases agresivos o inflamables, sin polvo excesivo	
Lugar de montaje	En el armario de distribución	

En la descripción de hardware del sistema Q de MELSEC se recogen más condiciones generales de funcionamiento.

Módulos de entrada AC

Datos técnicos	QX10 QX10-TS	QX28	
Número de entradas	16	8	
Aislamiento	Optoacoplador		
Tensión nominal	100–120 V AC 50/60 Hz	100–240 V AC 50/60 Hz	
Rango de tensión	85–132 V	85–264 V	
Punta máx. de corriente de conexión	200 mA durante 1 ms (con 132 V AC)	500 mA durante 1 ms (con 264 V AC)	
Corriente nominal de entrada	7 mA (100 V AC, 50 Hz) 8 mA (100 V AC, 60 Hz)	7 mA (100 V AC, 50 Hz) 8 mA (100 V AC, 60 Hz) 14 mA (200 V AC, 50 Hz) 17 mA (200 V AC, 60 Hz)	
Tensión/corriente para ON	≥ 80 V AC/≥ 5 mA		
Tensión / corriente para OFF	≤ 30 V AC/≤ 1,7 mA		
Resistencia de entrada	15 kΩ (50 Hz) 12 kΩ (60 Hz)		
Tiempo de respuesta	OFF → ON	≤ 15 ms	≤ 10 ms
	ON → OFF	≤ 20 ms	≤ 20 ms
Conexiones externas	Bornes*	Bornes de tornillo	
Número de grupos/entradas por grupo	1/16	1/8	
Consumo interno de corriente	50 mA	50 mA	
Peso	0,17 kg	0,20 kg	

* QX10: Bornes de tornillo
QX10-TS: bornes de resorte

Módulos de entrada DC (24 V DC)

Datos técnicos	QX40 QX40-TS	QX40-S1	QX41	QX41-S1	
Número de entradas	16	16	32	32	
Tipo de transmisor	NPN				
Aislamiento	Optoacoplador				
Tensión nominal	24 V DC				
Rango de tensión	20,4 hasta 28,8 V DC				
Corriente nominal de entrada	4 mA	6 mA	4 mA	4 mA	
Tensión/corriente para ON	≥ 19 V / ≥ 3 mA	≥ 19 V / ≥ 4 mA	≥ 19 V / ≥ 3 mA	≥ 19 V / ≥ 4 mA	
Tensión/corriente para OFF	≤ 11 V / ≤ 1,7 mA			≤ 9,5 V / ≤ 1,5 mA	
Resistencia de entrada	5,6 kΩ	3,9 kΩ	5,6 kΩ		
Tiempo de respuesta (ajustable)	OFF → ON	1/5/10/ 20/70 ms	0,1/0,2/ 0,4/0,6/ 1,0 ms	1/5/10/ 20/70 ms	0,1/0,2/ 0,4/0,6/ 1,0 ms
	ON → OFF	Ajuste previo: 10 ms	Ajuste previo: 0,2 ms	Ajuste previo: 10 ms	Ajuste previo: 0,2 ms
Conexiones externas	Bornes*	Bornes de tornillo	Un conector de 40 polos		
Número de grupos/entradas por grupo	1/16		1/32		
Consumo interno de corriente	50 mA	60 mA	75 mA		
Peso	0,16 kg	0,20 kg	0,15 kg		

* QX40: Bornes de tornillo, QX40-TS: Bornes de resorte

Datos técnicos	QX42 QX82	QX42-S1 QX82-S1	QX80	QX81
	Entrada DC		Entrada AC	
Número de entradas	64	64	16	32
Tipo de transmisor	QX42/QX42-S1: NPN QX82/QX82-S1: PNP		PNP	
Aislamiento	Optoacoplador			
Tensión nominal	24 V DC			
Rango de tensión	20,4 hasta 28,8 V DC			
Corriente nominal de entrada	4 mA			
Tensión/corriente para ON	≥ 19 V / ≥ 3 mA			
Tensión/corriente para OFF	≤ 11 V / ≤ 1,7 mA	≤ 9,5 V / ≤ 1,5 mA	≤ 11 V / ≤ 1,7 mA	≤ 9,5 V / ≤ 1,5 mA
Resistencia de entrada	5,6 kΩ			
Tiempo de respuesta (ajustable)	OFF → ON	1/5/10/ 20/70 ms	0,1/0,2/ 0,4/0,6/ 1,0 ms	1/5/10/20/70 ms
	ON → OFF	Ajuste previo: 10 ms	Ajuste previo: 0,2 ms	Ajuste previo: 10 ms
Conexiones externas	Dos conectores de 40 polos		Bornes*	Clavija compacta tipo 37 D-Sub
Número de grupos/entradas por grupo	2/32		1/16	1/32
Consumo interno de corriente	90 mA		50 mA	75 mA
Peso	0,18 kg		0,16 kg	

* QX80: Bornes de tornillo, QX80-TS: Bornes de resorte

Módulos de entrada DC (5/12 V DC)

Datos técnicos	QX70	QX71	QX72
Número de entradas	16	32	64
Tipo de transmisor	Opcionalmente PNP ó NPN		
Aislamiento	Optoacoplador		
Tensión nominal	5 V DC/12 V DC		
Rango de tensión	4,25 hasta 6 V/10,2 hasta 14,4 V		
Corriente nominal de entrada	5 V DC: 1,2 mA / 12 V DC: 3,3 mA		
Tensión/corriente para ON	≥ 3,5 V / ≥ 1 mA		≥ 3,5 V / ≥ 3 mA
Tensión/corriente para OFF	≤ 1 V / ≤ 0,1 mA		
Resistencia de entrada	3,3 kΩ		
Tiempo de respuesta (ajustable)	OFF → ON	1/5/10/20/70 ms	
	ON → OFF	Ajuste previo: 10 ms	
Conexiones externas	Bornes de tornillo	Un conector de 40 polos	Dos conectores de 40 polos
Número de grupos/entradas por grupo	1/16	1/32	2/32
Consumo interno de corriente	55 mA	70 mA	85 mA
Peso	0,14 kg	0,12 kg	0,13 kg

Módulo de entrada DC/AC (48 V)

Datos técnicos	QX50	
	Entrada DC	Entrada AC
Número de entradas	16	
Tipo de transmisor	Opcionalmente PNP ó NPN	
Aislamiento	Optoacoplador	
Tensión nominal	48 V DC	48 V AC
Rango de tensión	40,8 hasta 57,6 V DC	40,8 hasta 52,8 V
Corriente nominal de entrada	aprox. 4 mA	
Tensión/corriente para ON	≥ 28 V / ≥ 2,5 mA	
Tensión/corriente para OFF	≤ 10 V / ≤ 1,0 mA	
Resistencia de entrada	11,2 kΩ	
Tiempo de respuesta	OFF → ON	≤ 5 ms
	ON → OFF	≤ 20 ms
Conexiones externas	Bornes de tornillo	
Número de grupos/entradas por grupo	1/16	
Consumo interno de corriente	50 mA	
Peso	0,13 kg	

Módulos de salida de relé

Datos técnicos	QY10	QY10-TS	QY18A
Número de salidas	16		8
Tipo de salida	Relé		
Aislamiento	Relé		
Tensión/corriente nominal de conexión	24 V DC, 2 A (carga óhmica) por salida 240 V AC, 2 A (cosφ = 1) por salida máx. 8 A por grupo (sólo QY10 y QY10-TS)		
Carga mín. de conmutación	5 V DC, 1 mA		
Tensión de conexión máx.	125 V DC/264 V AC		
Frecuencia máx. de conmutación	3600 veces/h		
Tiempo de respuesta	OFF → ON	≤ 10 ms	
	ON → OFF	≤ 12 ms	
Filtro de red	—		
Conexiones externas	Bornes de tornillo	Bornes de resorte	Bornes de tornillo
Número de grupos/salidas por grupo	1/16		8/1 (Todas las salidas son independientes.)
Consumo interno de corriente	430 mA		
Peso	0,22 kg		

Módulo de salida triac

Datos técnicos	QY22	
Número de salidas	16	
Tipo de salida	Triac	
Aislamiento	Optoacoplador	
Tensión nominal de salida	100 V hasta 240 V AC	
Corriente máx. de carga	0,6 A por salida, 4,8 A por módulo	
Rango de tensión	85 hasta 288 V AC	
Punta máx. de corriente de conexión	20 A	
Caída de tensión máx. al conectar	≤ 1,5 V	
Carga mín. de conmutación	24 V AC (100 mA) 100 V AC (25 mA) 240 V AC (25 mA)	
Corriente de fuga con salida desconectada	≤ 1,5 mA (120 V, 60 Hz) ≤ 3 mA (240 V, 60 Hz)	
Tiempo de respuesta	OFF → ON	0,5 x duración de periodo + máx. 1 ms
	ON → OFF	
Filtro de red	Elemento RC	
Fusible	—	
Conexiones externas	Bornes de tornillo	
Número de grupos/salidas por grupo	1/16	
Consumo interno de corriente	250 mA	
Peso	0,40 kg	

Módulos de salida de transistor

Datos técnicos	QY40P	QY40P-TS	QY41P	QY42P
Número de salidas	16	16	32	64
Tipo de salida	Transistor (NPN)			
Aislamiento	Optoacoplador			
Tensión nominal de salida	12 V hasta 24 V DC			
Corriente nominal de salida	0,1 A por salida 1,6 A por módulo		0,1 A por salida 2 A por grupo	
Rango de tensión	10,2 hasta 28,8 V DC			
Punta máx. de corriente de conexión	0,7 A, ≤ 10 ms			
Caída de tensión máx. con salida ON	0,2 V con 0,1 A			
Corriente de fuga con salida desconectada	≤ 0,1 mA			
Tiempo de respuesta	OFF → ON	≤ 1 ms		
	ON → OFF			
Filtro de red	Diodo Z			
Fusible	—			
Conexiones externas	bornes de tornillo	bornes de resorte	conector de 40 polos	Dos conectores de 40 polos
Número de grupos/entradas por grupo	1/16	1/32	1/32	2/32
Alimentación del módulo	Tensión	12 hasta 24 V DC		
	Corriente	10 mA (24 V)	20 mA (24 V)	20 mA (24 V)
Consumo interno de corriente	65 mA	105 mA	150 mA	
Peso	0,16 kg	0,15 kg	0,17 kg	

Datos técnicos	QY50	QY68A
Número de salidas	16	8
Tipo de salida	Transistor (NPN)	Transistor (PNP/NPN)
Aislamiento	Optoacoplador	
Tensión nominal de salida	12 V hasta 24 V DC	5 V hasta 24 V DC
Corriente nominal de salida	0,5 A por salida, 4 A por módulo	2 A por salida, 8 A por módulo
Rango de tensión	10,2 hasta 28,8 V DC	4,5 hasta 28,8 V DC
Punta máx. de corriente de conexión	4 A, ≤ 10 ms	8 A, ≤ 10 ms
Caída de tensión máx. con salida ON	0,3 V con 0,5 A	0,3 V con 2 A
Corriente de fuga con salida desconectada	≤ 0,1 mA	
Tiempo de respuesta	OFF → ON	≤ 3 ms
	ON → OFF	≤ 10 ms
Filtro de red	Diodo Z	
Fusible	6,7 A	—
Conexiones externas	Bornes de tornillo	
Número de grupos/salidas por grupo	1/16	8/1 (Todas las salidas son independientes.)
Alimentación del módulo	Tensión	12 hasta 24 V DC
	Corriente	20 mA (con 24 V)
Consumo interno de corriente	80 mA	110 mA
Peso	0,17 kg	0,14 kg

Módulos de salida de transistor

Datos técnicos		QY70	QY71
Número de salidas		16	32
Tipo de salida		Transistor (NPN)	
Aislamiento		Optoacoplador	
Tensión nominal de salida		5 V DC 12 V DC	
Corriente nominal de salida		16 mA por salida, 256 mA por módulo	16 mA por salida, 512 mA por módulo
Rango de tensión		4,5 hasta 6,5 V DC 10,8 hasta 15 V DC	
Punta máx. de corriente de conexión		40 mA, ≤ 10 ms	
Caída de tensión máx. con salida ON		0,3 V DC	
Corriente de fuga con salida desconectada		—	
Tiempo de respuesta	OFF → ON ON → OFF	≤ 0,5 ms	
Filtro de red		—	—
Fusible		1,6 A	
Conexiones externas		Bornes de tornillo	Un conector de 40 polos
Número de grupos/salidas por grupo		1/16	1/32
Alimentación del módulo	Tensión	5/12 V DC	
	Corriente	90 mA (con 12 V)	170 mA (con 24 V)
Consumo interno de corriente		95 mA	150 mA
Peso		0,14 kg	


Datos técnicos		QY80, QY80-TS	QY81P	QY82P
Número de salidas		16	32	64
Tipo de salida		Transistor (PNP)		
Aislamiento		Optoacoplador		
Tensión nominal de salida		12 V hasta 24 V DC		
Corriente nominal de salida		0,5 A por salida, 4 A por módulo	0,1 A por salida, 2 A por módulo	
Rango de tensión		10,2 hasta 28,8 V DC		
Punta máx. de corriente de conexión		4 A, ≤ 10 ms	0,7 A, ≤ 10 ms	
Caída de tensión máx. con salida ON		0,3 V con 0,5 A	0,2 V con 0,1 A	
Corriente de fuga con salida desconectada		≤ 0,1 mA		
Tiempo de respuesta	OFF → ON ON → OFF	≤ 1 ms		
Filtro de red		Diodo Z		
Fusible		6,7 A	—	—
Conexiones externas		Bornes*	Clavija compacta tipo 37 D-Sub	Dos conectores de 40 polos
Número de grupos/salidas por grupo		1/16	1/32	2/32
Alimentación del módulo	Tensión	12 hasta 24 V DC		
	Corriente	20 mA (24 V)	40 mA (con 24 V)	
Consumo interno de corriente		80 mA	95 mA	160 mA
Peso		0,17 kg	0,15 kg	0,17 kg


* QY80: bornes de tornillo; QY80-TS: bornes de resorte

Módulos de entrada/salida combinados


Datos técnicos		QH42P	QX48Y57
Número de entradas		32	8
Aislamiento		Optoacoplador	
Tensión nominal		24 V DC	
Rango de tensión		20,4 hasta 28,8 V DC	
Corriente nominal de entrada		aprox. 4 mA	
Tensión/corriente para ON		≥ 19 V DC/≥ 3 mA	
Tensión/corriente para OFF		≤ 11 V DC/≤ 1,7 mA	
Resistencia de entrada		aprox. 5,6 kΩ	
Tiempo de respuesta (ajustable)	OFF → ON ON → OFF	1/5/10/20/70 ms, Ajuste previo: 10 ms	
Número de grupos/entradas por grupo		1/32	1/8
Número de salidas		32	7
Tipo de salida		Transistor (NPN)	
Aislamiento		Optoacoplador	
Tensión nominal de salida		12 hasta 24 V DC	
Corriente nominal de salida		0,1 A por salida, 2 A por módulo	0,5 A por salida, 2 A por módulo
Punta máx. de corriente de conexión		0,7 A ≤ 10 ms	4 A ≤ 10 ms
Caída de tensión máx. con salida ON		0,2 V con 0,1 A	0,1 V con 0,5 A
Corriente de fuga con salida desconectada		≤ 0,1 mA	
Tiempo de respuesta	OFF → ON ON → OFF	≤ 1 ms	
Filtro de red		Diodo Z	
Fusible		—	4 A
Conexiones externas		Dos conectores de 40 polos	Bornes de tornillo
Número de grupos/salidas por grupo		1/32	1/7
Alimentación del módulo	Tensión	12 hasta 24 V DC	
	Corriente	15 mA (con 24 V)	10 mA (con 24 V)
Consumo interno de corriente		130 mA	80 mA
Peso		0,20 kg	0,20 kg

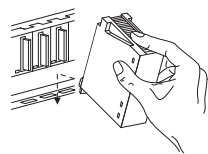
Instalación

PELIGRO	
	
<p>Antes de empezar con la instalación y con el cableado, hay que desconectar la tensión de alimentación del PLC y otras posibles tensiones externas.</p>	

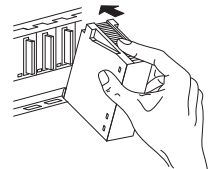
ATENCIÓN	
	
<p>● Haga funcionar los aparatos sólo bajo las condiciones ambientales especificadas en la descripción de hardware del sistema Q de MELSEC. Los aparatos no deben exponerse al polvo, a niebla de aceite, a gases corrosivos o inflamables, a vibraciones fuertes o a golpes, a altas temperaturas, a condensación ni a humedad.</p>	
<p>● Al realizar el montaje tenga cuidado de que no entren al interior del módulo a través de las ranuras de ventilación virutas de metal o restos de cables que podrían provocar después un cortocircuito. Emplee la cubierta adjunta para tapar las ranuras de ventilación. Después de haber concluido todos los trabajos de instalación, hay que retirar de nuevo la cubierta con objeto de evitar un sobrecalentamiento del controlador.</p>	
<p>● Los cables conectados a los módulos tienen que estar fijados de tal manera que no se ejerza ninguna carga mecánica excesiva sobre las regletas de bornes o sobre los conectores.</p>	

Montaje de los módulos sobre la unidad base

ATENCIÓN	
	
<p>● No abra la carcasa de un módulo. No modifique el módulo. Ello puede tener como consecuencia disfunciones, lesiones y/o fuego.</p>	
<p>● Si un módulo no se coloca correctamente en la unidad base poniendo el saliente en la guía, es posible que se doblen los pines de la clavija del módulo.</p>	
<p>● No toque partes conductoras o elementos electrónicos de los módulos. Ello puede dar lugar a fallos o a desperfectos en los módulos.</p>	




① Después de haber desconectado la tensión de red, ponga el módulo con el saliente inferior en la guía de la unidad base.



② Seguidamente empuje el módulo contra la unidad base hasta que el módulo quede pegado a la misma.

③ Asegure el módulo adicionalmente con un tornillo (M3 x 12) siempre que quepa esperar vibraciones. Este tornillo no se incluye en el volumen de suministro de los módulos.

Conexión

PELIGRO	
	
<p>● Antes de empezar con la instalación y con el cableado, hay que desconectar la tensión de alimentación del PLC y otras posibles tensiones externas.</p>	
<p>● Antes de conectar la tensión, cierre la cubierta de los bornes de los módulos.</p>	
<p>● Debido a un módulo de salida defectuoso puede suceder que una salida no pueda conectarse o desconectarse correctamente. Por ello hay que prever dispositivos de supervisión para las salidas en las que por ese motivo puede presentarse un estado peligroso.</p>	

Emplee únicamente cables con una sección de entre 0,3 y 0,75 mm². Los conductores no aislados tienen que estar provistos de terminales y ser protegidos contra el contacto accidental por medio de tubos aislantes.

Cables de conexión

Para la conexión a una hembrilla D-Sub de 37 polos (QX81 y QY81P) están disponibles los cables prefabricados Q32CBL-3M y Q32CBL-5M. Para la conexión a una hembrilla de 40 polos (QX41, QX42, QX71, QX72, QY41P, QY42P, QY71 y QH42P) es posible emplear los cables prefabricados Q40CBL-3M y Q40CBL-5M.

Para evitar perturbaciones procedentes de unidades de alimentación o de otras fuentes de interferencias, observe las indicaciones siguientes:

- Cables conductores de corriente continua no deben tenderse en las proximidades inmediatas de cables conductores de corriente alterna.
- Los cables que conducen altas tensiones o corrientes hay que tenerlos separados de los cables de control y de datos. La distancia mínima con respecto a ese tipo de cables tiene que ser de 100 mm.
- Los cables de las entradas y salidas pueden extenderse a una longitud máxima de 100 m. Sin embargo, para evitar de forma segura interferencias externas, la longitud de los cables debe limitarse a 20 m. Tenga en cuenta la caída de tensión en los cables.

Conexión de los módulos de entrada

Módulos con bornes de tornillo (QX10, QX28, QX40, QX40-S1, QX50, QX70, QX80)

En los módulos de entrada digitales con bloque de bornes desmontable, el diagrama de conexiones está impreso en el módulo mismo. Tenga en cuenta el diagrama para el cableado.

Módulos con bornes de resorte (QX10-TS, QX40-TS, QX80-TS)

Bornes 1–16: X00–X0F
 Borne 17: COM (QX10-TS, QX40-TS), Sin asignar (QX80-TS)
 Borne 18: Sin asignar (QX10-TS, QX40-TS), COM (QX80-TS)

Módulo QX81 con conector hembra D-Sub de 37 polos

Diagrama de conexión		Pin	Señal	Pin	Señal
	1	X00	9	X10	
	20	X01	28	X11	
	2	X02	10	X12	
	21	X03	29	X13	
	3	X04	11	X14	
	22	X05	30	X15	
	4	X06	12	X16	
	23	X07	31	X17	
	5	X08	13	X18	
	24	X09	32	X19	
	6	X0A	14	X1A	
	25	X0B	33	X1B	
	7	X0C	15	X1C	
	26	X0D	34	X1D	
	8	X0E	16	X1E	
	27	X0F	35	X1F	
	17	COM	37	Sin asignar	
	36	COM	19		
18	COM				

Módulos con conector de 40 polos

- QX41, QX41-S1

Diagrama de conexión	Pin	Señal	Pin	Señal
	B20	X00	A20	X10
	B19	X01	A19	X11
	B18	X02	A18	X12
	B17	X03	A17	X13
	B16	X04	A16	X14
	B15	X05	A15	X15
	B14	X06	A14	X16
	B13	X07	A13	X17
	B12	X08	A12	X18
	B11	X09	A11	X19
	B10	X0A	A10	X1A
	B09	X0B	A09	X1B
	B08	X0C	A08	X1C
	B07	X0D	A07	X1D
	B06	X0E	A06	X1E
	B05	X0F	A05	X1F
	B04	Sin asignar	A04	Sin asignar
	B03	Sin asignar	A03	Sin asignar
	B02	COM	A02	Sin asignar
	B01	COM	A01	Sin asignar

- QX42, QX42-S1, QX71, QX82, QX82-S1

A los módulos QX42 y QX42-S1 se conectan sensores NPN, y a los módulos QX82 y QX82-S1 se conectan sensores PNP.

En QX42/QX42-S1, las conexiones COM se conectan con el polo positivo de la fuente de alimentación externa, y en QX82/QX82-S1 con el polo negativo.

Al módulo QX71 pueden conectarse tanto sensores PNP como NPN. Con sensores PNP, a las conexiones COM se conecta el polo negativo de la fuente externa de alimentación. Con sensores NPN, a las conexiones COM se conecta el polo positivo de la fuente externa de alimentación.

Conexión izquierda				Conexión derecha			
Pin	Señal	Pin	Señal	Pin	Señal	Pin	Señal
1B20	X00	1A20	X10	2B20	X20	2A20	X30
1B19	X01	1A19	X11	2B19	X21	2A19	X31
1B18	X02	1A18	X12	2B18	X22	2A18	X32
1B17	X03	1A17	X13	2B17	X23	2A17	X33
1B16	X04	1A16	X14	2B16	X24	2A16	X34
1B15	X05	1A15	X15	2B15	X25	2A15	X35
1B14	X06	1A14	X16	2B14	X26	2A14	X36
1B13	X07	1A13	X17	2B13	X27	2A13	X37
1B12	X08	1A12	X18	2B12	X28	2A12	X38
1B11	X09	1A11	X19	2B11	X29	2A11	X39
1B10	X0A	1A10	X1A	2B10	X2A	2A10	X3A
1B09	X0B	1A09	X1B	2B09	X2B	2A09	X3B
1B08	X0C	1A08	X1C	2B08	X2C	2A08	X3C
1B07	X0D	1A07	X1D	2B07	X2D	2A07	X3D
1B06	X0E	1A06	X1E	2B06	X2E	2A06	X3E
1B05	X0F	1A05	X1F	2B05	X2F	2A05	X3F
1B04	Sin asignar	1A04	Sin asignar	2B04	Sin asignar	2A04	Sin asignar
1B03	Sin asignar	1A03	Sin asignar	2B03	Sin asignar	2A03	Sin asignar
1B02	COM1	1A02	Sin asignar	2B02	COM2	2A02	Sin asignar
1B01	COM1	1A01	Sin asignar	2B01	COM2	2A01	Sin asignar

Conexión de los módulos de salida

Módulos con bornes de tornillo (QY10, QY18, QY22, QY40P, QY68A, QY50, QY70, QY80)

En los módulos de salida digitales con bloque de bornes desmontable, el diagrama de conexiones está impreso en el módulo mismo. Tenga en cuenta el diagrama para el cableado.

Módulos con bornes de resorte (QY10-TS, QY40P-TS, QY80-TS)

Bornes 1-16: Y00-Y0F

Borne 17: COM (QY10-TS), 12-24 V DC (QY40P-TS), COM/12-24 V DC (QY80-TS)

Borne 18: Sin asignar (QY10-TS), COM/0 V (QY40P-TS), 0 V (QY80-TS)

Módulo QY81 con conector hembra D-Sub de 37 polos

Diagrama de conexión	Pin	Señal	Pin	Señal
	1	Y00	9	Y10
	20	Y01	28	Y11
	2	Y02	10	Y12
	21	Y03	29	Y13
	3	Y04	11	Y14
	22	Y05	30	Y15
	4	Y06	12	Y16
	23	Y07	31	Y17
	5	Y08	13	Y18
	24	Y09	32	Y19
	6	Y0A	14	Y1A
	25	Y0B	33	Y1B
	7	Y0C	15	Y1C
	26	Y0D	34	Y1D
	8	Y0E	16	Y1E
	27	Y0F	35	Y1F
	17	COM	37	0 V
	36	COM	19	0 V
	18	COM		

Módulos con conector de 40 polos

- QY41P y QY71

Diagrama de conexión	Pin	Señal	Pin	Señal
	B20	Y00	A20	Y10
	B19	Y01	A19	Y11
	B18	Y02	A18	Y12
	B17	Y03	A17	Y13
	B16	Y04	A16	Y14
	B15	Y05	A15	Y15
	B14	Y06	A14	Y16
	B13	Y07	A13	Y17
	B12	Y08	A12	Y18
	B11	Y09	A11	Y19
	B10	Y0A	A10	Y1A
	B09	Y0B	A09	Y1B
	B08	Y0C	A08	Y1C
	B07	Y0D	A07	Y1D
	B06	Y0E	A06	Y1E
	B05	Y0F	A05	Y1F
	B04	Sin asignar	A04	Sin asignar
	B03	Sin asignar	A03	Sin asignar
	B02	V+	A02	COM
	B01	V+	A01	COM

- QY42 y QY82P

Conexión izquierda				Conexión derecha			
Pin	Señal	Pin	Señal	Pin	Señal	Pin	Señal
1B20	Y00	1A20	Y10	2B20	Y20	2A20	Y30
1B19	Y01	1A19	Y11	2B19	Y21	2A19	Y31
1B18	Y02	1A18	Y12	2B18	Y22	2A18	Y32
1B17	Y03	1A17	Y13	2B17	Y23	2A17	Y33
1B16	Y04	1A16	Y14	2B16	Y24	2A16	Y34
1B15	Y05	1A15	Y15	2B15	Y25	2A15	Y35
1B14	Y06	1A14	Y16	2B14	Y26	2A14	Y36
1B13	Y07	1A13	Y17	2B13	Y27	2A13	Y37
1B12	Y08	1A12	Y18	2B12	Y28	2A12	Y38
1B11	Y09	1A11	Y19	2B11	Y29	2A11	Y39
1B10	Y0A	1A10	Y1A	2B10	Y2A	2A10	Y3A
1B09	Y0B	1A09	Y1B	2B09	Y2B	2A09	Y3B
1B08	Y0C	1A08	Y1C	2B08	Y2C	2A08	Y3C
1B07	Y0D	1A07	Y1D	2B07	Y2D	2A07	Y3D
1B06	Y0E	1A06	Y1E	2B06	Y2E	2A06	Y3E
1B05	Y0F	1A05	Y1F	2B05	Y2F	2A05	Y3F
1B04	Sin asignar	1A04	Sin asignar	2B04	Sin asignar	2A04	Sin asignar
1B03	Sin asignar	1A03	Sin asignar	2B03	Sin asignar	2A03	Sin asignar

QY42:

1B02	V+	1A02	COM1	2B02	V+	2A02	COM2
1B01	V+	1A01	COM1	2B01	V+	2A01	COM2

QX82P:

1B02	COM1	1A02	0 V	2B02	COM2	2A02	0 V
1B01	COM1	1A01	0 V	2B01	COM2	2A01	0 V

Conexión de los módulos combinados de entrada/salida

Módulo QX48Y57 (bornes de tornillo)

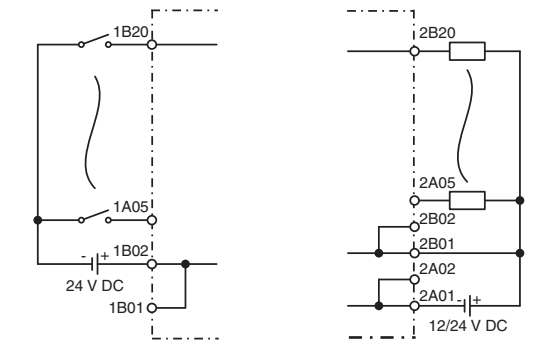
En QX48Y57, el diagrama de conexión está impreso en el módulo mismo. Tenga en cuenta este diagrama para el cableado.

Módulo QH42P (Dos conectores de 40 polos)

Conexión izquierda				Conexión derecha			
Pin	Señal	Pin	Señal	Pin	Señal	Pin	Señal
1B20	X00	1A20	X10	2B20	Y00	2A20	Y10
1B19	X01	1A19	X11	2B19	Y01	2A19	Y11
1B18	X02	1A18	X12	2B18	Y02	2A18	Y12
1B17	X03	1A17	X13	2B17	Y03	2A17	Y13
1B16	X04	1A16	X14	2B16	Y04	2A16	Y14
1B15	X05	1A15	X15	2B15	Y05	2A15	Y15
1B14	X06	1A14	X16	2B14	Y06	2A14	Y16
1B13	X07	1A13	X17	2B13	Y07	2A13	Y17
1B12	X08	1A12	X18	2B12	Y08	2A12	Y18
1B11	X09	1A11	X19	2B11	Y09	2A11	Y19
1B10	X0A	1A10	X1A	2B10	Y0A	2A10	Y1A
1B09	X0B	1A09	X1B	2B09	Y0B	2A09	Y1B
1B08	X0C	1A08	X1C	2B08	Y0C	2A08	Y1C
1B07	X0D	1A07	X1D	2B07	Y0D	2A07	Y1D
1B06	X0E	1A06	X1E	2B06	Y0E	2A06	Y1E
1B05	X0F	1A05	X1F	2B05	Y0F	2A05	Y1F
1B04	Sin asignar	1A04	Sin asignar	2B04	Sin asignar	2A04	Sin asignar
1B03	Sin asignar	1A03	Sin asignar	2B03	Sin asignar	2A03	Sin asignar
1B02	COM1	1A02	Sin asignar	2B02	V+	2A02	COM2
1B01	COM1	1A01	Sin asignar	2B01	V+	2A01	COM2

Conexión de las entradas del QH42P

Conexión de las salidas del QH42P



MELSEC System Q

Программируемые логические контроллеры

Руководство по установке модулей дискретного ввода и вывода

Арт. № 212595 RUS, Версия С, 19092011

Указания по безопасности

Только для квалифицированных специалистов

Данное руководство по установке адресовано исключительно квалифицированным специалистам, получившим соответствующее образование и знающим стандарты безопасности в области электротехники и техники автоматизации. Проектировать, устанавливать, вводить в эксплуатацию, обслуживать и проверять оборудование разрешается только квалифицированному специалисту, получившему соответствующее образование. Вмешательства в аппаратную часть и программное обеспечение нашей продукции, не описанные в этом или иных руководствах, разрешены только нашим специалистам.

Использование по назначению

Программируемые логические контроллеры (ПЛК) MELSEC System Q предназначены только для тех областей применения, которые описаны в этом руководстве по установке или нижеуказанных руководствах. Обращайте внимание на соблюдение общих условий эксплуатации, названных в руководствах. Продукция разработана, изготовлена, проверена и описана в документации с соблюдением норм безопасности. Неквалифицированные вмешательства в аппаратную часть или программное обеспечение, либо несоблюдение предупреждений, содержащихся в этом руководстве или нанесенных на само оборудование, могут привести к серьезным травмам или материальному ущербу. В сочетании с программируемыми контроллерами MELSEC System Q разрешается использовать только дополнительные или расширительные устройства, рекомендуемые компанией Mitsubishi Electric. Любое иное использование, выходящее за рамки сказанного, считается использованием не по назначению.

Предписания, относящиеся к безопасности

При проектировании, установке, вводе в эксплуатацию, техническом обслуживании и проверке оборудования должны соблюдаться предписания по технике безопасности и охране труда, относящиеся к специфическому случаю применения. В этом руководстве содержатся указания, важные для правильного и безопасного обращения с прибором. Особые указания встречающиеся в данном руководстве имеют следующие значения:



ОПАСНОСТЬ

Предупреждение об опасности для пользователя
Несоблюдение указанных мер предосторожности может создать угрозу для жизни или здоровья пользователя.



ВНИМАНИЕ

Предупреждение об опасности для оборудования
Несоблюдение указанных мер предосторожности может привести к серьезным повреждениям оборудования или иного имущества.

Дополнительная информация

Дополнительная информация об оборудовании содержится в следующих руководствах:

- описание аппаратной части MELSEC System Q
- руководство по программированию для серий A/Q и MELSEC System Q

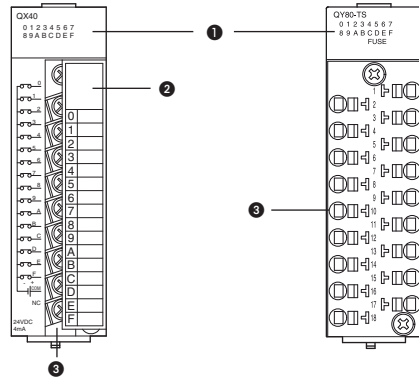
Эти руководства бесплатно предоставлены в ваше распоряжении в интернете (www.mitsubishi-automation.ru).

Если возникнут вопросы по установке, программированию и эксплуатации контроллеров MELSEC System Q, обратитесь в ваше региональное торговое представительство или к вашему региональному торговому партнеру.

Элементы управления

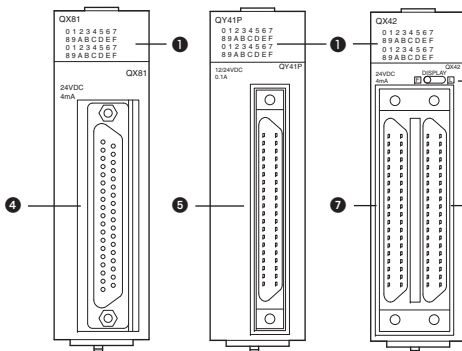
Модули с винтовыми клеммами

Модули с пружинными клеммами



Модули с 37-контактным разъёмом

Модули с 40-контактными разъёмами

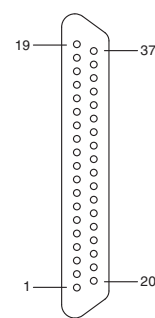


№	Описание
1	Индикаторный светодиод (для каждого канала ввода/вывода предусмотрен красный светодиод, показывающий состояние ВКЛ/ВЫКЛ ввода/вывода (светится во включенном состоянии ввода/вывода))
2	Крышка клеммника (откидная)
3	Съёмная клеммная колодка
4	37-контактный разъём D-sub (розетка)
5	40-контактный разъём (розетка)
6	Переключатель режима индикации Служит для переключения светодиодной индикации для модуля с 64 входами. <ul style="list-style-type: none"> ● Положение F: индикация сигналов на разъёме 1 (входы с X00 по X1F, выходы с Y00 по Y1F). Для QN42P: индикация для входов с X00 по X1F. ● Положение L: индикация сигналов на разъёме 2 (входы с X20 по X3F, выходы с Y20 по Y3F). Для QN42P: индикация для выходов с Y00 по Y1F.
7	40-контактный разъём
8	(розетка)

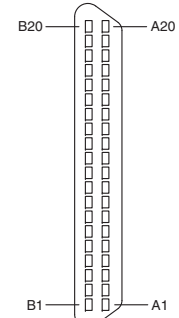
Назначение контактов разъёмов

Разъёмы показаны на виде модуля спереди.

37-контактный разъём D-sub (розетка)



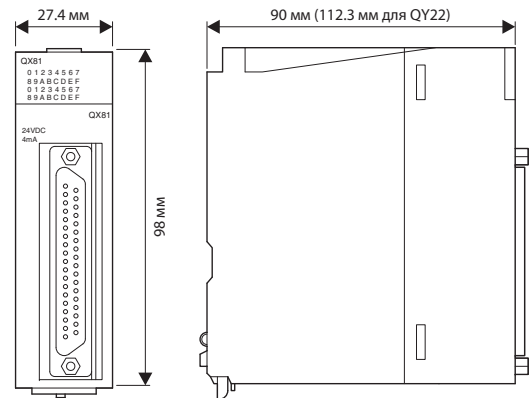
40-контактный разъём (розетка)



Данный 40-контактный разъём не является разъёмом D-sub. Для подключения можно использовать разъём А6СОН-2, А6СОН-3 или А6СОН-4 либо готовые соединительные провода (см. раздел **Электропроводка**).

Размеры

Размеры всех дискретных модулей ввода/вывода одинаковые, за исключением модуля вывода QY22.



Технические данные

Общие условия эксплуатации

Параметр	Технические данные	
Температура окружающего воздуха	при эксплуатации	от 0 до 55 °С
	при хранении	от -25 до 75 °С
Допустимая относительная влажность воздуха во время эксплуатации	от 5 до 95 % (без конденсации)	
Окружающие условия	без агрессивных и легковоспламеняющихся газов, без чрезмерной пыли	
Требования к месту монтажа	В шкафу управления	

Прочие общие условия эксплуатации указаны в описании аппаратной части System Q.

Модули ввода переменного тока

Технические данные	QX10 QX10-TS	QX28
Кол-во входов	16	8
Гальваническая развязка	Оптронная	
Номинальное входное напряжение	100–120 В пер. 50/60 Гц	100–240 В пер. 50/60 Гц
Диапазон напряжения	85–132 В	85–264 В
Пусковой ток	200 мА в течение 1 мс (при 132 В пер.)	500 мА в течение 1 мс (при 264 В пер.)
Номинальный входной ток	7 мА (100 В пер., 50 Гц) 8 мА (100 В пер., 60 Гц)	7 мА (100 В пер., 50 Гц) 8 мА (100 В пер., 60 Гц) 14 мА (200 В пер., 50 Гц) 17 мА (200 В пер., 60 Гц)
Напряжение/ток включения	≥ 80 В пер./≥ 5 мА	
Напряжение/ток отключения	≤ 30 В пер./≤ 1.7 мА	
Входное сопротивление	15 кОм (для 50 Гц) 12 кОм (для 60 Гц)	
Время отклика	ВЫКЛ → ВКЛ	≤ 15 мс
	ВКЛ → ВЫКЛ	≤ 20 мс
Внешние соединения	Клеммы*	Винтовые клеммы
Групп входов/Входов в группе	1/16	1/8
Внутреннее потребление тока	50 мА	50 мА
Вес	0.17 кг	0.20 кг

* QX10: винтовые клеммы
QX10-TS: пружинные клеммы

Модули входа пост. тока (24 В)

Технические данные		QX40 QX40-TS	QX40-S1	QX41	QX41-S1
Кол-во входов		16	16	32	32
Тип датчиков		Общий плюс			
Гальваническая развязка		Оптронная			
Номинальное входное напряжение		24 В пост.			
Диапазон напряжения		от 20.4 до 28.8 В пост.			
Номинальный входной ток		4 мА	6 мА	4 мА	4 мА
Напряжение/ток включения		≥ 19 В/ ≥ 3 мА	≥ 19 В/ ≥ 4 мА	≥ 19 В/ ≥ 3 мА	≥ 19 В/ ≥ 4 мА
Напряжение/ток отключения		≤ 11 В/≤ 1.7 мА			≤ 9.5 В/ ≤ 1.5 мА
Входное сопротивление		5.6 кОм	3.9 кОм	5.6 кОм	
Время отклика (регулируемое)	Выкл → Вкл	1/5/ 10/20/ 70 мс	0.1/0.2/ 0.4/0.6/ 1.0 мс	1/5/ 10/20/ 70 мс	0.1/0.2/ 0.4/0.6/ 1.0 мс
	Вкл → Выкл	Исходная настройка: 10 мс	Исходная настройка: 0.2 мс	Исходная настройка: 10 мс	Исходная настройка: 0.2 мс
Внешние соединения		Клеммы*	Винтовые клеммы	Один 40-контактный разъём	
Групп входов/Входов в группе		1/16		1/32	
Внутреннее потребление тока		50 мА	60 мА	75 мА	
Вес		0.16 кг	0.20 кг	0.15 кг	

* QX40: винтовые клеммы, QX40-TS: пружинные клеммы

Технические данные	QX42 QX82	QX42-S1 QX82-S1	QX80 QX80-TS	QX81	
	Кол-во входов		64	64	16
Тип датчиков		QX42/QX42-S1: Общий плюс QX82/QX82-S1: Общий минус		Общий минус	
Гальваническая развязка		Оптронная			
Номинальное входное напряжение		24 В пост.			
Диапазон напряжения		от 20.4 до 28.8 В пост.			
Номинальный входной ток		4 мА			
Напряжение/ток включения		≥ 19 В/≥ 3 мА			
Напряжение/ток отключения		≤ 11 В/ ≤ 1.7 мА	≤ 9.5 В/ ≤ 1.5 мА	≤ 11 В/ ≤ 1.7 мА	≤ 9.5 В/ ≤ 1.5 мА
Входное сопротивление		5.6 кОм			
Время отклика (регулируемое)	Выкл → Вкл	1/5/ 10/20/ 70 мс	0.1/0.2/ 0.4/0.6/ 1.0 мс	1/5/10/20/70 мс	
	Вкл → Выкл	Исходная настройка: 10 мс	Исходная настройка: 0.2 мс	Исходная настройка: 10 мс	
Внешние соединения		Два 40-контактных разъёма		Клеммы*	37-контактный разъём D-sub
Групп входов/Входов в группе		2/32		1/16	1/32
Внутреннее потребление тока		90 мА		50 мА	75 мА
Вес		0.18 кг		0.16 кг	

* QX80: винтовые клеммы, QX80-TS: пружинные клеммы

Модули входа пост. тока (5/12 В)

Технические данные		QX70	QX71	QX72
Кол-во входов		16	32	64
Тип датчиков		Общий плюс/минус (по выбору)		
Гальваническая развязка		Оптронная		
Номинальное входное напряжение		5 В пост./12 В пост.		
Диапазон напряжения		от 4.25 до 6 В/от 10.2 до 14.4 В		
Номинальный входной ток		5 В пост.: 1.2 мА/12 В пост.: 3.3 мА		
Напряжение/ток включения		≥ 3.5 В/≥ 1 мА		≥ 3.5 В/ ≥ 3 мА
Напряжение/ток отключения		≤ 1 В/≤ 0.1 мА		
Входное сопротивление		3.3 кОм		
Время отклика (регулируемое)	Выкл → Вкл	1/5/10/20/70 мс		
	Вкл → Выкл	Исходная настройка: 10 мс		
Внешние соединения		Винтовые клеммы	Один 40-контактный разъём	Два 40-контактных разъёма
Групп входов/Входов в группе		1/16	1/32	2/32
Внутреннее потребление тока		55 мА	70 мА	85 мА
Вес		0.14 кг	0.12 кг	0.13 кг

Модуль входа пост./перем. тока (48 В)

Технические данные	QX50		
	входа пост.	входа перем.	
Кол-во входов		16	
Тип датчиков		Общий плюс/минус (по выбору)	
Гальваническая развязка		Оптронная	
Номинальное входное напряжение		48 В пост.	48 В пер.
Диапазон напряжения		от 40.8 до 57.6 В пост.	от 40.8 до 52.8 В
Номинальный входной ток		ок. 4 мА	
Напряжение/ток включения		≥ 28 В/≥ 2.5 мА	
Напряжение/ток отключения		≤ 10 В/≤ 1.0 мА	
Входное сопротивление		11.2 кОм	
Время отклика	Выкл → Вкл	≤ 5 мс	≤ 15 мс
	Вкл → Выкл	≤ 20 мс	≤ 20 мс
Внешние соединения		Винтовые клеммы	
Групп входов/Входов в группе		1/16	
Внутреннее потребление тока		50 мА	
Вес		0.13 кг	

Модули релейных выходов

Технические данные		QY10	QY10-TS	QY18A
Кол-во выходов		16	16	8
Тип выхода		Релейный		
Гальваническая развязка		Релейный		
Номинальное коммутируемое напряжение/ток		24 В пост., 2 А (активная нагрузка) на каждый выход 240 В перем., 2 А (косинус фи = 1) на каждый выход; макс. 8 А на группу (только для QY10 и QY10-TS)		
Мин. коммутируемая нагрузка		5 В пост., 1 мА		
Макс. коммутируемое напряжение		125 В пост./264 В пер.		
Макс. частота переключения		3600 переключений в час		
Время отклика	Выкл → Вкл	≤ 10 мс		
	Вкл → Выкл	≤ 12 мс		
Защита от перенапряжений		—		
Внешние соединения		Винтовые клеммы	Пружинные клеммы	Винтовые клеммы
Групп выходов/Выходов в группе		1/16		8/1 (все независимые)
Внутреннее потребление тока		430 мА		
Вес		0.22 кг		

Модуль тиристорного выхода

Технические данные		QY22	
Кол-во выходов		16	
Тип выхода		Тиристорный	
Гальваническая развязка		Оптронная	
Номинальное коммутируемое напряжение		100 В до 240 В пер.	
Макс. коммутируемый ток		0.6 А на каждый выход, 4.8 А на каждый модуль	
Диапазон напряжения		85 до 288 В пер.	
Пусковой ток		20 А	
Макс. падение напряжения при включении		≤ 1.5 В	
Мин. коммутируемая нагрузка		24 В пер. (100 мА) 100 В пер. (25 мА) 240 В пер. (25 мА)	
Ток утечки при отключении		≤ 1.5 мА (120 В, 60 Гц) ≤ 3 мА (240 В, 60 Гц)	
Время отклика	Выкл → Вкл	0.5 x период + макс. 1 мс	
	Вкл → Выкл		
Защита от перенапряжений		Устройство защиты от перенапряжений CR-типа	
Предохранитель		—	
Внешние соединения		Винтовые клеммы	
Групп выходов/Выходов в группе		1/16	
Внутреннее потребление тока		250 мА	
Вес		0.40 кг	

Модули транзисторных выходов

Технические данные		QY40P	QY40P-TS	QY41P	QY42P
Кол-во выходов		16	16	32	64
Тип выхода		Транзисторный (переключающий на минус)			
Гальваническая развязка		Оптронная			
Номинальное коммутируемое напряжение		от 12 В до 24 В пост.			
Номинальный коммутируемый ток		0.1 А на каждый выход, 1.6 А на каждый модуль		0.1 А на каждый выход, 2 А на каждую группу	
Диапазон напряжения		от 10.2 до 28.8 В пост.			
Пусковой ток		0.7 А, ≤ 10 мс			
Макс. падение напряжения при включении		0.2 В при 0.1 А			
Ток утечки при отключении		≤ 0.1 мА			
Время отклика	Выкл → Вкл	≤ 1 мс			
	Вкл → Выкл				
Защита от перенапряжений		Опорный диод			
Предохранитель		—			
Внешние соединения		Винтовые клеммы	Пружинные клеммы	40-контактный разъём	Два 40-контактных разъёма
Групп выходов/Выходов в группе		1/16		1/32	2/32
Внешнее питание	Напряжение	от 12 до 24 В пост.			
	Ток	10 мА (24 В)	20 мА (24 В)	20 мА (24 В)	20 мА (24 В)
Внутреннее потребление тока		65 мА		105 мА	150 мА

Технические данные		QY50	QY68A
Кол-во выходов		16	8
Тип выхода		Транзисторный (переключающий на минус)	Транзисторный (переключающий на минус/плюс)
Гальваническая развязка		Оптронная	
Номинальное коммутируемое напряжение		от 12 В до 24 В пост.	от 5 В до 24 В пост.
Номинальный коммутируемый ток		0.5 А на каждый выход, 4 А на каждый модуль	2 А на каждый выход, 8 А на каждый модуль
Диапазон напряжения		от 10.2 до 28.8 В пост.	от 4.5 до 28.8 В пост.
Пусковой ток		4 А, ≤ 10 мс	8 А, ≤ 10 мс
Макс. падение напряжения при включении		0.3 В при 0.5 А	0.3 В при 2 А
Ток утечки при отключении		≤ 0.1 мА	
Время отклика	Выкл → Вкл	≤ 1 мс	
	Вкл → Выкл	≤ 10 мс	
Защита от перенапряжений		Опорный диод	
Предохранитель		6.7 А	—
Внешние соединения		Винтовые клеммы	
Групп выходов/Выходов в группе		1/16	8/1 (все независимые)
Внешнее питание	Напряжение	от 12 до 24 В пост.	
	Ток	20 мА (при 24 В)	
Внутреннее потребление тока		80 мА	110 мА
Вес		0.17 кг	0.14 кг

Модули транзисторных выходов

Технические данные		QY70	QY71
Кол-во выходов		16	32
Тип выхода		Транзисторный (переключающий на минус)	
Гальваническая развязка		Оптронная	
Номинальное коммутируемое напряжение		5 В пост. 12 В пост.	
Номинальный коммутируемый ток		16 мА на каждый выход, 256 мА на каждый модуль	16 мА на каждый выход, 512 мА на каждый модуль
Диапазон напряжения		от 4.5 до 6.5 В пост. от 10.8 до 15 В пост.	
Пусковой ток		40 мА, ≤ 10 мс	
Макс. падение напряжения при включении		0.3 В пост.	
Ток утечки при отключении		—	
Время отклика	Выкл → Вкл	≤ 0.5 мс	
	Вкл → Выкл		
Защита от перенапряжений		—	—
Предохранитель		1.6 А	
Внешние соединения		Винтовые клеммы	Один 40-контактный разъём
Групп выходов/Выходов в группе		1/16	1/32
Внешнее питание	Напряжение	5/12 В пост.	
	Ток	90 мА (при 12 В)	170 мА (при 24 В)
Внутреннее потребление тока		95 мА	150 мА
Вес		0.14 кг	

Технические данные		QY80 QY80-TS	QY81P	QY82P
Кол-во выходов		16	32	64
Тип выхода		Транзисторный (переключающий на плюс)		
Гальваническая развязка		Оптронная		
Номинальное коммутируемое напряжение		от 12 В до 24 В пост.		
Номинальный коммутируемый ток		0.5 А на каждый выход, 4 А на каждый модуль	0.1 А на каждый выход, 2 А на каждый модуль	
Диапазон напряжения		от 10.2 до 28.8 В пост.		
Пусковой ток		4 А, ≤ 10 мс	0.7 А, ≤ 10 мс	
Макс. падение напряжения при включении		0.3 В при 0.5 А	0.2 В при 0.1 А	
Ток утечки при отключении		≤ 0.1 мА		
Время отклика	Выкл → Вкл	≤ 1 мс		
	Вкл → Выкл			
Защита от перенапряжений		Опорный диод		
Предохранитель		6.7 А	—	—
Внешние соединения		Клеммы*	37-контактный разъём D-sub	Два 40-контактных разъёма
Групп выходов/Выходов в группе		1/16	1/32	2/32
Внешнее питание	Напряжение	от 12 до 24 В пост.		
	Ток	20 мА (24 В)	40 мА (при 24 В)	
Внутреннее потребление тока		80 мА	95 мА	160 мА
Вес		0.17 кг	0.15 кг	0.17 кг


* QY80: винтовые клеммы; QY80-TS: пружинные клеммы

Композитные модули ввода/вывода


Технические данные		QН42P	QX48Y57
Кол-во входов		32	8
Гальваническая развязка		Оптронная	
Номинальное входное напряжение		24 В пост.	
Диапазон напряжения		от 20.4 до 28.8 В пост.	
Номинальный входной ток		ок. 4 мА	
Напряжение/ток включения		≥ 19 В пост./≥ 3 мА	
Напряжение/ток отключения		≤ 11 В пост./≤ 1.7 мА	
Входное сопротивление		ок. 5.6 кОм	
Время отклика (регулируемое)	Выкл → Вкл	1/5/10/20/70 мс, Исходная настройка: 10 мс	
	Вкл → Выкл		
Групп входов/Входов в группе		1/32	1/8
Кол-во выходов		32	7
Тип выхода		Транзисторный (переключающий на минус)	
Гальваническая развязка		Оптронная	
Номинальное коммутируемое напряжение		от 12 до 24 В пост.	
Номинальный коммутируемый ток		0.1 А на каждый выход, 2 А на каждый модуль	0.5 А на каждый выход, 2 А на каждый модуль
Пусковой ток		0.7 А ≤ 10 мс	4 А ≤ 10 мс
Макс. падение напряжения при включении		0.2 В при 0.1 А	0.1 В при 0.5 А
Ток утечки при отключении		≤ 0.1 мА	
Время отклика	Выкл → Вкл	≤ 1 мс	
	Вкл → Выкл		
Защита от перенапряжений		Опорный диод	
Предохранитель		—	4 А
Внешние соединения		Два 40-контактных разъёма	Винтовые клеммы
Групп выходов/Выходов в группе		1/32	1/7
Внешнее питание		от 12 до 24 В пост.	
Внешнее питание	Напряжение	15 мА (при 24 В)	
	Ток	10 мА (при 24 В)	
Внутреннее потребление тока		130 мА	80 мА
Вес		0.20 кг	0.20 кг

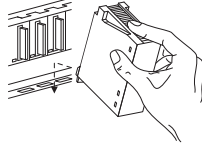
Монтаж

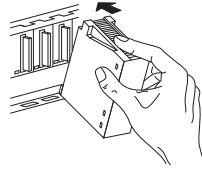
ОПАСНОСТЬ	
	
<p>Перед монтажом и выполнением электропроводки отключите все фазы питания ПЛК и прочее внешнее питание.</p>	

ВНИМАНИЕ	
	
<p>● Эксплуатируйте приборы только в окружающих условиях, указанных в описании оборудования System Q. Не допускайте воздействия на приборы пыли, масляного тумана, едких или легковоспламеняющихся газов, сильной вибрации, ударов, высоких температур, конденсации и влажности.</p>	
<p>● При монтаже обращайте внимание на то, чтобы через вентиляционные прорезы в модуль не проникли стружки от сверления или кусочки проводов, которые позднее могут вызвать короткое замыкание. Чтобы закрыть вентиляционные прорезы, воспользуйтесь прилагаемой крышкой. По окончании всех монтажных работ эту крышку необходимо снова снять во избежание перегрева контроллера.</p>	
<p>● Подключенные к модулю провода следует закрепить так, чтобы к клеммам или разъёмам не была приложена чрезмерная механическая нагрузка.</p>	

Монтаж модуля на базовом шасси


ВНИМАНИЕ	
	
<p>● Не вскрывайте и не модифицируйте модуль. Это может привести к отказу, неисправности, травме или пожару.</p>	
<p>● Обязательно вставьте фиксатор модуля в установочное отверстие на базовом шасси. Чрезмерное усилие при установке может привести к повреждению разъёма и модуля.</p>	
<p>● Не касайтесь токопроводящих частей и электронных компонентов модулей. Это может привести к неисправности или отказу модуля.</p>	

- 

Отключив питание, вставьте фиксатор модуля в установочное отверстие на базовом шасси.
- 

Вставьте модуль в базовое шасси, как показано стрелкой.
- Закрепите модуль дополнительным винтом (M3 x 12) при установке базового шасси в месте, где может быть сильная вибрация. Крепежный винт в комплект модуля не входит.

Электропроводка

ОПАСНОСТЬ	
	
<p>● Перед монтажом и выполнением электропроводки отключите все фазы питания ПЛК и прочее внешнее питание.</p>	
<p>● Прежде чем включить питание после монтажа или выполнения проводки, закройте крышку клеммника модуля.</p>	
<p>● Неисправный модуль вывода при некоторых обстоятельствах может оставить выходы включенными или выключенными. Поэтому для выходов, способных породить опасное состояние, предусмотрите внешнюю цепь контроля.</p>	

Используйте только провода сечением от 0.3 до 0.75 мм², скручивая концы многожильных проводов и надев кабельные наконечники. Рекомендуется закрывать соединения проводов изолирующими трубками.

Соединительные провода

Для подключения к 37-контактному разъёму D-sub (для QX81 и QY81P) предусмотрены готовые соединительные провода Q32CBL-3M и Q32CBL-5M. Для подключения к 40-контактному разъёму (для QX41, QX42, QX71, QX72, QY41P, QY42P, QY71 и QH42P) предусмотрены готовые соединительные провода Q40CBL-3M и Q40CBL-5M.

Для снижения уровня электрических помех со стороны источников питания или иных устройств соблюдайте следующие указания:

- Проводку постоянного тока не следует прокладывать в непосредственной близости от проводки переменного тока.
- Питающую проводку следует прокладывать отдельно от проводки цепей управления и линий передачи данных. В противном случае могут возникать помехи. Минимальное расстояние между этими проводками: 100 мм.
- Проводку входов и выходов можно расширять на длину не более 100 м. Однако во избежание помех длина проводов не должна превышать 20 м. Учитывайте падение напряжения в проводке.

Подключение модулей входа

Модули с клеммной колодкой (QX10, QX28, QX40, QX40-51, QX50, QX70, QX80)

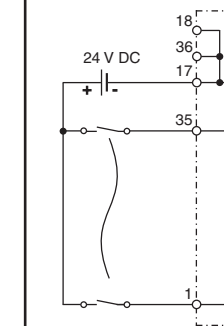
Схема подключения модулей дискретного входа со съёмными клеммными колодками напечатана на модулях. Руководствуйтесь данными схемами при подключении модулей.

Модули с пружинными клеммами (QX10-TS, QX40-TS, QX80-TS)

Клеммы с 1 по 16: X00 по X0F
Клемма 17: общая (QX10-TS, QX40-TS), резервная (QX80-TS)
Клемма 18: общая (QX10-TS, QX40-TS), резервная (QX80-TS)

Модуль QX81 с 37-контактным разъёмом D-sub

Схема подключения	Контакт	Сигнал	Контакт	Сигнал
	1	X00	9	X10
	20	X01	28	X11
	2	X02	10	X12
	21	X03	29	X13
	3	X04	11	X14
	22	X05	30	X15
	4	X06	12	X16
	23	X07	31	X17
	5	X08	13	X18
	24	X09	32	X19
	6	X0A	14	X1A
	25	X0B	33	X1B
	7	X0C	15	X1C
	26	X0D	34	X1D
	8	X0E	16	X1E
	27	X0F	35	X1F
	17	COM	37	Не используется
	36	COM	19	
	18	COM		



Модули с 40-контактным разъёмом

- QX41, QX41-S1

Схема подключения	Контакт	Сигнал	Контакт	Сигнал
	B20	X00	A20	X10
	B19	X01	A19	X11
	B18	X02	A18	X12
	B17	X03	A17	X13
	B16	X04	A16	X14
	B15	X05	A15	X15
	B14	X06	A14	X16
	B13	X07	A13	X17
	B12	X08	A12	X18
	B11	X09	A11	X19
	B10	X0A	A10	X1A
	B09	X0B	A09	X1B
	B08	X0C	A08	X1C
	B07	X0D	A07	X1D
	B06	X0E	A06	X1E
	B05	X0F	A05	X1F
	B04	Не используется	A04	Не используется
	B03	Не используется	A03	Не используется
	B02	COM	A02	Не используется
	B01	COM	A01	Не используется

- QX42, QX42-S1, QX71, QX82, QX82-S1

На модулях QX42 и QX42-S1 клемма COM подключается к положительному полюсу внешнего источника питания, на модулях QX82 и QX82-S1 – к отрицательному полюсу.

Модуль QX71 можно подключать как с общим плюсом, так и с общим минусом.

Левый разъём				Правый разъём			
Контакт	Сигнал	Контакт	Сигнал	Контакт	Сигнал	Контакт	Сигнал
1B20	X00	1A20	X10	2B20	X20	2A20	X30
1B19	X01	1A19	X11	2B19	X21	2A19	X31
1B18	X02	1A18	X12	2B18	X22	2A18	X32
1B17	X03	1A17	X13	2B17	X23	2A17	X33
1B16	X04	1A16	X14	2B16	X24	2A16	X34
1B15	X05	1A15	X15	2B15	X25	2A15	X35
1B14	X06	1A14	X16	2B14	X26	2A14	X36
1B13	X07	1A13	X17	2B13	X27	2A13	X37
1B12	X08	1A12	X18	2B12	X28	2A12	X38
1B11	X09	1A11	X19	2B11	X29	2A11	X39
1B10	X0A	1A10	X1A	2B10	X2A	2A10	X3A
1B09	X0B	1A09	X1B	2B09	X2B	2A09	X3B
1B08	X0C	1A08	X1C	2B08	X2C	2A08	X3C
1B07	X0D	1A07	X1D	2B07	X2D	2A07	X3D
1B06	X0E	1A06	X1E	2B06	X2E	2A06	X3E
1B05	X0F	1A05	X1F	2B05	X2F	2A05	X3F
1B04	Не используется	1A04	Не используется	2B04	Не используется	2A04	Не используется
1B03	Не используется	1A03	Не используется	2B03	Не используется	2A03	Не используется
1B02	COM1	1A02	Не используется	2B02	COM2	2A02	Не используется
1B01	COM1	1A01	Не используется	2B01	COM2	2A01	Не используется

Подключение модулей выхода

Модули с клеммной колодкой (QY10, QY18, QY22, QY40P, QY68A, QY50, QY70, QY80)

Схема подключения модулей дискретного выхода со съёмными клеммными колодками напечатана на модулях. Руководствуйтесь данными схемами при подключении модулей.

Модули с пружинными клеммами (QY10-TS, QY40P-TS, QY80-TS)

Клеммы с 1 до 16: Y00 до Y0F

Клемма 17: COM (QY10-TS), 12–24 В пост. (QY40P-TS), COM/12–24 В пост. (QY80-TS)

Клемма 18: резервная (QY10-TS), COM/0 В (QY40P-TS), 0 В (QY80-TS)

Модуль QY81 с 37-контактным разъёмом D-sub

Схема подключения	Контакт	Сигнал	Контакт	Сигнал
	1	Y00	9	Y10
	20	Y01	28	Y11
	2	Y02	10	Y12
	21	Y03	29	Y13
	3	Y04	11	Y14
	22	Y05	30	Y15
	4	Y06	12	Y16
	23	Y07	31	Y17
	5	Y08	13	Y18
	24	Y09	32	Y19
	6	Y0A	14	Y1A
	25	Y0B	33	Y1B
	7	Y0C	15	Y1C
	26	Y0D	34	Y1D
	8	Y0E	16	Y1E
	27	Y0F	35	Y1F
	17	COM	37	0 В
	36	COM	19	0 В
18	COM			

Модули с 40-контактным разъёмом

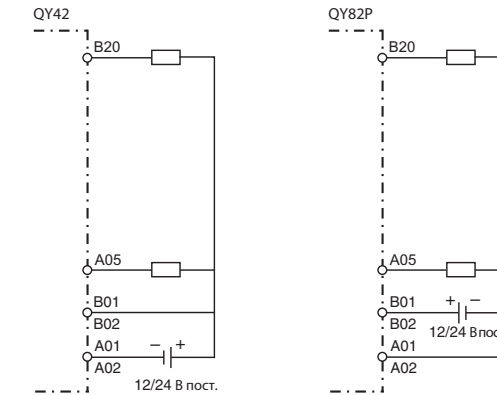
- QY41P и QY71

Схема подключения	Контакт	Сигнал	Контакт	Сигнал
	B20	Y00	A20	Y10
	B19	Y01	A19	Y11
	B18	Y02	A18	Y12
	B17	Y03	A17	Y13
	B16	Y04	A16	Y14
	B15	Y05	A15	Y15
	B14	Y06	A14	Y16
	B13	Y07	A13	Y17
	B12	Y08	A12	Y18
	B11	Y09	A11	Y19
	B10	Y0A	A10	Y1A
	B09	Y0B	A09	Y1B
	B08	Y0C	A08	Y1C
	B07	Y0D	A07	Y1D
	B06	Y0E	A06	Y1E
	B05	Y0F	A05	Y1F
	B04	Не используется	A04	Не используется
	B03	Не используется	A03	Не используется
	B02	V+	A02	COM
	B01	V+	A01	COM

- QY42 и QY82P

Левый разъём				Правый разъём			
Контакт	Сигнал	Контакт	Сигнал	Контакт	Сигнал	Контакт	Сигнал
1B20	Y00	1A20	Y10	2B20	Y20	2A20	Y30
1B19	Y01	1A19	Y11	2B19	Y21	2A19	Y31
1B18	Y02	1A18	Y12	2B18	Y22	2A18	Y32
1B17	Y03	1A17	Y13	2B17	Y23	2A17	Y33
1B16	Y04	1A16	Y14	2B16	Y24	2A16	Y34
1B15	Y05	1A15	Y15	2B15	Y25	2A15	Y35
1B14	Y06	1A14	Y16	2B14	Y26	2A14	Y36
1B13	Y07	1A13	Y17	2B13	Y27	2A13	Y37
1B12	Y08	1A12	Y18	2B12	Y28	2A12	Y38
1B11	Y09	1A11	Y19	2B11	Y29	2A11	Y39
1B10	Y0A	1A10	Y1A	2B10	Y2A	2A10	Y3A
1B09	Y0B	1A09	Y1B	2B09	Y2B	2A09	Y3B
1B08	Y0C	1A08	Y1C	2B08	Y2C	2A08	Y3C
1B07	Y0D	1A07	Y1D	2B07	Y2D	2A07	Y3D
1B06	Y0E	1A06	Y1E	2B06	Y2E	2A06	Y3E
1B05	Y0F	1A05	Y1F	2B05	Y2F	2A05	Y3F
1B04	Не используется	1A04	Не используется	2B04	Не используется	2A04	Не используется
1B03	Не используется	1A03	Не используется	2B03	Не используется	2A03	Не используется
QY42:							
1B02	V+	1A02	COM1	2B02	V+	2A02	COM2
1B01	V+	1A01	COM1	2B01	V+	2A01	COM2
QY82P:							
1B02	COM1	1A02	0 В	2B02	COM2	2A02	0 В
1B01	COM1	1A01	0 В	2B01	COM2	2A01	0 В

Подключение



Подключение композитных модулей ввода/вывода

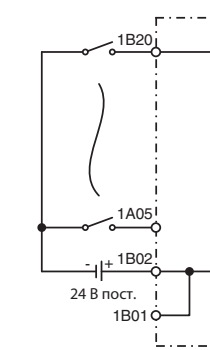
QX48Y57 (клеммная колодка)

Схема подключения QX48Y57 напечатана на модуле. Руководствуйтесь данной схемой при подключении модуля.

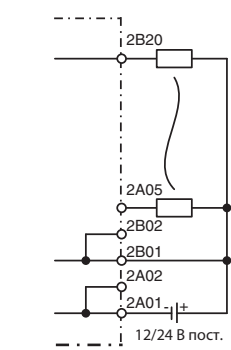
QH42P (два 40-контактных разъёма)

Левый разъём				Правый разъём			
Контакт	Сигнал	Контакт	Сигнал	Контакт	Сигнал	Контакт	Сигнал
1B20	X00	1A20	X10	2B20	Y00	2A20	Y10
1B19	X01	1A19	X11	2B19	Y01	2A19	Y11
1B18	X02	1A18	X12	2B18	Y02	2A18	Y12
1B17	X03	1A17	X13	2B17	Y03	2A17	Y13
1B16	X04	1A16	X14	2B16	Y04	2A16	Y14
1B15	X05	1A15	X15	2B15	Y05	2A15	Y15
1B14	X06	1A14	X16	2B14	Y06	2A14	Y16
1B13	X07	1A13	X17	2B13	Y07	2A13	Y17
1B12	X08	1A12	X18	2B12	Y08	2A12	Y18
1B11	X09	1A11	X19	2B11	Y09	2A11	Y19
1B10	X0A	1A10	X1A	2B10	Y0A	2A10	Y1A
1B09	X0B	1A09	X1B	2B09	Y0B	2A09	Y1B
1B08	X0C	1A08	X1C	2B08	Y0C	2A08	Y1C
1B07	X0D	1A07	X1D	2B07	Y0D	2A07	Y1D
1B06	X0E	1A06	X1E	2B06	Y0E	2A06	Y1E
1B05	X0F	1A05	X1F	2B05	Y0F	2A05	Y1F
1B04	Не используется	1A04	Не используется	2B04	Не используется	2A04	Не используется
1B03	Не используется	1A03	Не используется	2B03	Не используется	2A03	Не используется
1B02	COM1	1A02	Не используется	2B02	V+	2A02	COM2
1B01	COM1	1A01	Не используется	2B01	V+	2A01	COM2

Подключение входов QH42P



Подключение выходов QH42P



MELSEC System Q

Sterowniki programowalne

Podręcznik instalowania modułów wejść i wyjść cyfrowych

Nr art. 212595 PL, Wersja C, 19092011

Informacje związane z bezpieczeństwem

Tylko dla wykwalifikowanego personelu

Niniejszy podręcznik przeznaczony jest do użytku wyłącznie przez odpowiednio wykwalifikowanych techników elektryków, którzy doskonale znają wszystkie standardy bezpieczeństwa i regulacje, właściwe dla technologii związanej z automatyką. Cała praca z opisanym sprzętem, włącznie z projektem systemu, instalacją, konfiguracją, konserwacją, serwisem i testowaniem wyposażenia, może być wykonywana wyłącznie przez wyszkolonych techników elektryków z potwierdzonymi kwalifikacjami, którzy doskonale znają wszystkie standardy bezpieczeństwa i regulacje, właściwe dla technologii związanej z automatyką.

Poprawne wykorzystywanie sprzętu

Sterowniki programowalne (PLC) z serii MELSEC System Q, przeznaczone są do aplikacji wyraźnie opisanych w tym podręczniku, lub w podręcznikach wymienionych poniżej. Prosimy o uważne przestrzeganie wszystkich parametrów instalacyjnych i eksploatacyjnych, wymienionych w tej instrukcji. Wszystkie produkty zostały zaprojektowane, wyprodukowane, przetestowane i udokumentowane zgodnie z przepisami bezpieczeństwa. Każda modyfikacja sprzętu lub oprogramowania, albo ignorowanie podanych w tej instrukcji lub wydrukowanych na produkcie ostrzeżeń związanych z bezpieczeństwem, może spowodować obrażenia osób albo uszkodzenie sprzętu czy innego mienia. Mogą być używane tylko akcesoria i sprzęt peryferyjny, specjalnie zatwierdzone przez MITSUBISHI ELECTRIC. Każde inne wykorzystanie lub zastosowanie tych produktów, uznawane jest za niewłaściwe.

Stosowne regulacje bezpieczeństwa

Wszystkie regulacje bezpieczeństwa zapobiegające wypadkom i właściwe dla określonych zastosowań, muszą być przestrzegane przy projektowaniu systemu, instalacji, konfiguracji, obsłudze, serwisowaniu i testowaniu tych produktów.

W niniejszej instrukcji, specjalne ostrzeżenia istotne przy właściwym i bezpiecznym wykorzystywaniu produktów, są wyraźnie wyróżnione w następujący sposób:

NIEBEZPIECZEŃSTWO:
Ostrzeżenia związane ze zdrowiem i obrażeniami pracowników.
Nieprzestrzeganie środków ostrożności opisanych w niniejszej instrukcji, może doprowadzić do poważnych obrażeń i utraty zdrowia.

UWAGA:
Ostrzeżenia związane z uszkodzeniem sprzętu i mienia.
Nieprzestrzeganie środków ostrożności opisanych w niniejszej instrukcji, może spowodować poważne uszkodzenie sprzętu lub innej własności.

Dodatkowa informacja

Dodatkowe informacje na temat modułów, zawarte są w następujących podręcznikach:

- Podręczniki techniczne do MELSEC System Q
- Podręcznik programowania dla serii MELSEC A/Q i MELSEC System Q, nr kat. 87431.

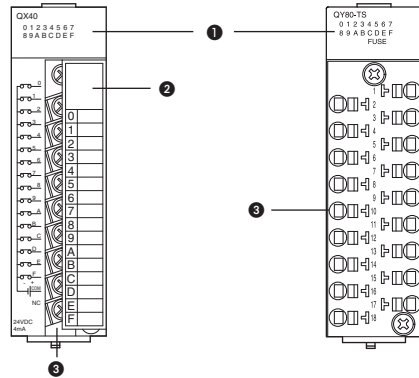
Podręczniki te dostępne są bezpłatnie poprzez Internet (www.mitsubishi-automation.pl).

Jeśli pojawiają się jakiegokolwiek pytania związane z programowaniem i działaniem sprzętu opisanego w tym podręczniku, prosimy o skontaktowanie się z właściwym biurem handlowym lub oddziałem.

Nazwy i funkcje części składowych

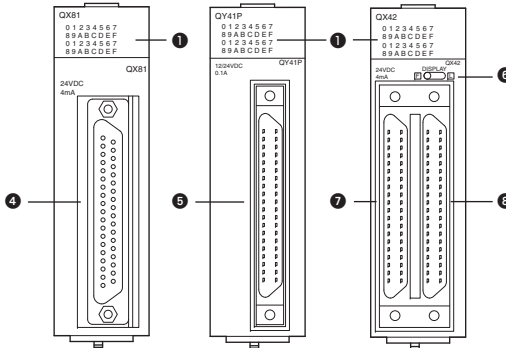
Moduły ze śrubowymi listwami zaciskowymi

Moduły ze sprężynowymi listwami zaciskowymi



Moduły z 37-stykowym złączem

Moduły z 40-stykowymi złączami



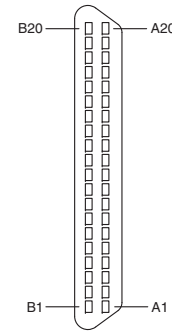
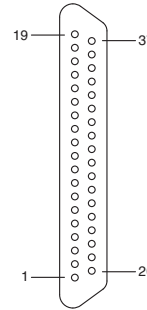
Nr	Opis
1	Wskaźnik LED (dla każdego we/wy przewidziana jest czerwona dioda LED, wskazująca stan Zał./Wył. wejścia/wyjścia (świeci, gdy we/wyj jest Zał.)).
2	Pokrywa listwy zaciskowej (na zawiasach)
3	Wymienna listwa zaciskowa
4	37-stykowe złącze D-sub (gniazdo)
5	40-stykowe złącze (gniazdo)
6	Przełącznik rodzaju wskazania W 64-punktowym module używany jest do przełączania wskaźnik diod LED. <ul style="list-style-type: none"> ● Pozycja F: wskazanie dotyczy sygnałów na złączu 1 (wejścia X00 do X1F, odpowiednio wyjścia Y00 do Y1F) Dla QH42P: wskazanie dotyczy wejść X00 do X1F ● Pozycja L: wskazanie dotyczy sygnałów na złączu 2 (wejścia X20 do X3F, odpowiednio wyjścia Y20 do Y3F) Dla QH42P: wskazanie dotyczy wyjść Y00 do Y1F
7	40-stykowe złącze (gniazdo)
8	40-stykowe złącze (gniazdo)

Rozmieszczenie styków w złączu

Złącza pokazane są od strony czołowej modułu.

37-stykowe złącze D-sub (gniazdo)

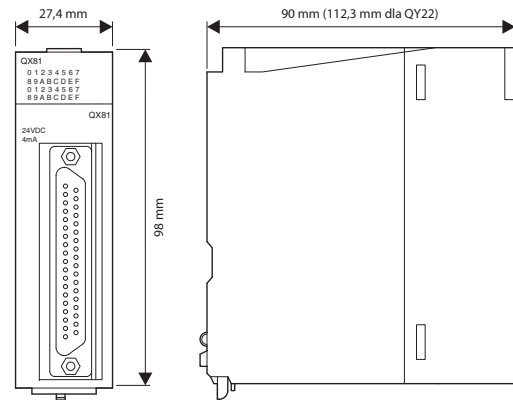
40-stykowe złącze (gniazdo)



Należy zauważyć, że 40-stykowe złącze nie jest złączem typu D-sub. W celu podłączenia złącz A6CON-2, A6CON-3 lub A6CON-4, można zastosować prefabrykowane kable łączące (zob. dział **Okablowanie**).

Wymiary

Wymiary wszystkich cyfrowych modułów we/wy są jednakowe, za wyjątkiem modułu wyjściowego QY22.



Dane techniczne

Ogólne wymagania

Pozycja	Dane techniczne	
Temperatura otoczenia	podczas pracy	0 do 55 °C
	podczas przechowywania	-25 do 75 °C
Wilgotność otoczenia podczas pracy	Wilgotność względna 5 do 95 % (bez skraplania)	
Atmosfera w warunkach pracy	Wolna od żrących lub palnych gazów i nadmiernej ilości pyłów przewodzących	
Rozmieszczenie instalacji	Wewnątrz pulpitu sterowniczego	

Dalsze ogólne wymagania można znaleźć w podręczniku technicznym do serii MELSEC System Q.

Moduły z wejściami AC

Dane techniczne	QX10 QX10-TS	QX28
Liczba wejść	16	8
Metoda izolacji	Złącze optoelektroniczne	
Znamionowe napięcie wejściowe	100–120 V AC 50/60 Hz	100–240 V AC 50/60 Hz
Zakres napięcia	85–132 V	85–264 V
Prąd rozruchowy	200 mA w czasie 1 ms (przy 132 V AC)	500 mA w czasie 1 ms (przy 264 V AC)
Znamionowy prąd wejściowy	7 mA (100 V AC, 50 Hz) 8 mA (100 V AC, 60 Hz)	7 mA (100 V AC, 50 Hz) 8 mA (100 V AC, 60 Hz) 14 mA (200 V AC, 50 Hz) 17 mA (200 V AC, 60 Hz)
Napięcie/prąd w stanie „Zał.”	≥ 80 V AC/≥ 5 mA	
Napięcie/prąd w stanie „Wył.”	≤ 30 V AC/≤ 1,7 mA	
Rezystancja wejściowa	15 kΩ (50 Hz) 12 kΩ (60 Hz)	
Czas odpowiedzi	„Wył.” → „Zał.”	≤ 15 ms
	„Zał.” → „Wył.”	≤ 20 ms
Podłączenia zewnętrzne	Zaciski*	Śrubowe listwy zaciskowe
Grupy wejść/ ilość wejść w grupie	1/16	1/8
Wewnętrzny pobór prądu	50 mA	50 mA
Waga	0,17 kg	0,20 kg

* QX10: Śrubowe listwy zaciskowe
 QX10-TS: Sprężynowe listwy zaciskowe

Moduły z wejściami DC (24 V DC)

Dane techniczne	QX40 QX40-TS	QX40-S1	QX41	QX41-S1
Liczba wejść	16	16	32	32
Rodzaj czujników	Zacisk wspólny dodatni			
Metoda izolacji	Złącze optoelektroniczne			
Znamionowe napięcie wejściowe	24 V DC			
Zakres napięcia	20,4 do 28,8 V DC			
Znamionowy prąd wejściowy	4 mA	6 mA	4 mA	4 mA
Napięcie/prąd w stanie „Zał.”	≥ 19 V / ≥ 3 mA	≥ 19 V / ≥ 4 mA	≥ 19 V / ≥ 3 mA	≥ 19 V / ≥ 4 mA
Napięcie/prąd w stanie „Wył.”	≤ 11 V / ≤ 1,7 mA			≤ 9,5 V / ≤ 1,5 mA
Rezystancja wejściowa	5,6 kΩ	3,9 kΩ	5,6 kΩ	
Czas odpowiedzi (ustawiany)	„Wył.” → „Zał.”	1/5/10/20/70 ms	0,1/0,2/0,4/0,6/1,0 ms	1/5/10/20/70 ms
	„Zał.” → „Wył.”	Ustawienie początkowe:		
	10 ms	0,2 ms	10 ms	0,2 ms
Podłączenia zewnętrzne	Zaciski*	Śrubowe listwy zaciskowe	Jedno złącze 40-stykowe	
Grupy wejść/ ilość wejść w grupie	1/16		1/32	
Wewnętrzny pobór prądu	50 mA	60 mA	75 mA	
Waga	0,16 kg	0,20 kg	0,15 kg	

* QX40: Śrubowe listwy zaciskowe; QX40-TS: Sprężynowe listwy zaciskowe

Dane techniczne	QX42 QX82	QX42-S1 QX82-S1	QX80 QX80-TS	QX81
Liczba wejść	64	64	16	32
Rodzaj czujników	QX42/QX42-S1: Zacisk wspólny dodatni QX82/QX82-S1: Zacisk wspólny ujemny		Zacisk wspólny ujemny	
Metoda izolacji	Złącze optoelektroniczne			
Znamionowe napięcie wejściowe	24 V DC			
Zakres napięcia	20,4 do 28,8 V DC			
Znamionowy prąd wejściowy	4 mA			
Napięcie/prąd w stanie „Zał.”	≥ 19 V / ≥ 3 mA			
Napięcie/prąd w stanie „Wył.”	≤ 11 V / ≤ 1,7 mA	≤ 9,5 V / ≤ 1,5 mA	≤ 11 V / ≤ 1,7 mA	≤ 9,5 V / ≤ 1,5 mA
Rezystancja wejściowa	5,6 kΩ			
Czas odpowiedzi (ustawiany)	„Wył.” → „Zał.”	1/5/10/20/70 ms	0,1/0,2/0,4/0,6/1,0 ms	1/5/10/20/70 ms
	„Zał.” → „Wył.”	Ustawienie początkowe:		
	10 ms	0,2 ms	10 ms	
Podłączenia zewnętrzne	Dwa złącza 40-stykowe		Zaciski*	37-stykowe złącze D-sub
Grupy wejść/ ilość wejść w grupie	2/32		1/16	1/32
Wewnętrzny pobór prądu	90 mA		50 mA	75 mA
Waga	0,18 kg		0,16 kg	

* QX80: Śrubowe listwy zaciskowe; QX80-TS: sprężynowe listwy zaciskowe

Moduły z wejściami DC (5/12 V DC)

Dane techniczne	QX70	QX71	QX72
Liczba wejść	16	32	64
Rodzaj czujników	Wybierany zacisk wspólny dodatni/ujemny		
Metoda izolacji	Złącze optoelektroniczne		
Znamionowe napięcie wejściowe	5 V DC/12 V DC		
Zakres napięcia	4,25 do 6 V/10,2 do 14,4 V		
Znamionowy prąd wejściowy	5 V DC: 1,2 mA/12 V DC: 3,3 mA		
Napięcie/prąd w stanie „Zał.”	≥ 3,5 V / ≥ 1 mA		≥ 3,5 V / ≥ 3 mA
Napięcie/prąd w stanie „Wył.”	≤ 1 V / ≤ 0,1 mA		
Rezystancja wejściowa	3,3 kΩ		
Czas odpowiedzi (ustawiany)	„Wył.” → „Zał.”	1/5/10/20/70 ms	
	„Zał.” → „Wył.”	Ustawienie początkowe: 10 ms	
Podłączenia zewnętrzne	Śrubowe listwy zaciskowe	Jedno złącze 40-stykowe	Dwa złącza 40-stykowe
Grupy wejść/ ilość wejść w grupie	1/16	1/32	2/32
Wewnętrzny pobór prądu	55 mA	70 mA	85 mA
Waga	0,14 kg	0,12 kg	0,13 kg

Moduł z wejściami DC/AC (48 V)

Dane techniczne	QX50	
	Wejście DC	Wejście AC
Liczba wejść	16	
Rodzaj czujników	Wybierany zacisk wspólny dodatni/ujemny	
Metoda izolacji	Złącze optoelektroniczne	
Znamionowe napięcie wejściowe	48 V DC	48 V AC
Zakres napięcia	40,8 do 57,6 V DC	40,8 do 52,8 V
Znamionowy prąd wejściowy	około 4 mA	
Napięcie/prąd w stanie „Zał.”	≥ 28 V / ≥ 2,5 mA	
Napięcie/prąd w stanie „Wył.”	≤ 10 V / ≤ 1,0 mA	
Rezystancja wejściowa	11,2 kΩ	
Czas odpowiedzi	„Wył.” → „Zał.”	≤ 5 ms
	„Zał.” → „Wył.”	≤ 20 ms
Podłączenia zewnętrzne	Śrubowe listwy zaciskowe	
Grupy wejść/ ilość wejść w grupie	1/16	
Wewnętrzny pobór prądu	50 mA	
Waga	0,13 kg	

Moduły z wyjściami przekaźnikowymi

Dane techniczne	QY10	QY10-TS	QY18A
Liczba wyjść	16		8
Rodzaj wyjścia	Przełącznik		
Metoda izolacji	Przełącznik		
Znamionowe napięcie/ prąd przełączania	24 V DC, 2 A na wyjście (obciążenie oporowe) 240 V AC, 2 A na wyjście (cos φ = 1); maks. 8 A na grupę (tylko QY10 i QY10-TS)		
Minimalne przełączane obciążenie	5 V DC, 1 mA		
Maksymalne przełączane napięcie	125 V DC/264 V AC		
Maksymalna częstotliwość przełączania	3600 razy/godzinę		
Czas odpowiedzi	„Wył.” → „Zał.”	≤ 10 ms	
	„Zał.” → „Wył.”	≤ 12 ms	
Tłumik przepięć	—		
Podłączenia zewnętrzne	Śrubowe listwy zaciskowe	Sprężynowe listwy zaciskowe	Śrubowe listwy zaciskowe
Grupy wyjść/ ilość wyjść w grupie	1/16		8/1 (wszystkie są niezależne)
Wewnętrzny pobór prądu	430 mA		
Waga	0,22 kg		

Moduł z wyjściami triakowymi

Dane techniczne	QY22	
Liczba wyjść	16	
Rodzaj wyjścia	Triak	
Metoda izolacji	Złącze optoelektroniczne	
Znamionowe przełączane napięcie	100 V do 240 V AC	
Maks. prąd obciążenia	0,6 A na wyjście, 4,8 A na moduł	
Zakres napięcia	85 do 288 V AC	
Prąd rozruchowy	20 A	
Maks. spadek napięcia w stanie Zał.	≤ 1,5 V	
Minimalne przełączane obciążenie	24 V AC (100 mA) 100 V AC (25 mA) 240 V AC (25 mA)	
Prąd upływu w stanie Wył.	≤ 1,5 mA (120 V, 60 Hz) ≤ 3 mA (240 V, 60 Hz)	
Czas odpowiedzi	„Wył.” → „Zał.”	0,5 x okres + maks. 1 ms
	„Zał.” → „Wył.”	
Tłumik przepięć	Tłumik CR	
Bezpiecznik	—	
Podłączenia zewnętrzne	Śrubowe listwy zaciskowe	
Grupy wyjść/ ilość wyjść w grupie	1/16	
Wewnętrzny pobór prądu	250 mA	
Waga	0,40 kg	

Moduły z wyjściami tranzystorowymi

Dane techniczne	QY40P	QY40P-TS	QY41P	QY42P
Liczba wyjść	16	16	32	64
Rodzaj wyjścia	Tranzystor (sink)			
Metoda izolacji	Złącze optoelektroniczne			
Znamionowe przełączane napięcie	12 V do 24 V DC			
Znamionowy przełączany prąd	0,1 A/wyjście, 1,6 A/Moduł		0,1 A/wyjście, 2 A/grupę	
Zakres napięcia	10,2 do 28,8 V DC			
Prąd rozruchowy	0,7 A, ≤ 10 ms			
Maks. spadek napięcia w stanie Zał.	0,2 V przy 0,1 A			
Prąd upływu w stanie Wył.	≤ 0,1 mA			
Czas odpowiedzi	„Wył.” → „Zał.”	≤ 1 ms		
	„Zał.” → „Wył.”			
Tłumik przepięć	Dioda Zenera			
Bezpiecznik	—			
Podłączenia zewnętrzne	Śrubowe listwy zaciskowe	Sprężynowe listwy zaciskowe	Jedno złącze 40-stykowe	Dwa złącza 40-stykowe
Grupy wyjść/ ilość wyjść w grupie	1/16		1/32	2/32
Zasilanie zewnętrzne	Napięcie	12 do 24 V DC		
	Prąd	10 mA (24 V)	20 mA (24 V)	20 mA (24 V)
Wewnętrzny pobór prądu	65 mA	105 mA	150 mA	
Waga	0,16 kg	0,15 kg	0,17 kg	

Dane techniczne	QY50	QY68A
Liczba wyjść	16	8
Rodzaj wyjścia	Tranzystor (sink)	Tranzystor (sink/source)
Metoda izolacji	Złącze optoelektroniczne	
Znamionowe przełączane napięcie	12 V do 24 V DC	5 V do 24 V DC
Znamionowy przełączany prąd	0,5 A/wyjście, 4 A/moduł	2 A/wyjście, 8 A/moduł
Zakres napięcia	10,2 do 28,8 V DC	4,5 do 28,8 V DC
Prąd rozruchowy	4 A, ≤ 10 ms	8 A, ≤ 10 ms
Maks. spadek napięcia w stanie Zał.	0,3 V przy 0,5 A	0,3 V przy 2 A
Prąd upływu w stanie Wył.	≤ 0,1 mA	
Czas odpowiedzi	„Wył.” → „Zał.”	≤ 3 ms
	„Zał.” → „Wył.”	≤ 10 ms
Tłumik przepięć	Dioda Zenera	
Bezpiecznik	6,7 A	—
Podłączenia zewnętrzne	Śrubowe listwy zaciskowe	
Grupy wyjść/ ilość wyjść w grupie	1/16	8/1 (wszystkie są niezależne)
Zasilanie zewnętrzne	Napięcie	12 do 24 V DC
	Prąd	20 mA (przy 24 V)
Wewnętrzny pobór prądu	80 mA	110 mA
Waga	0,17 kg	0,14 kg

Moduły z wyjściami tranzystorowymi

Dane techniczne		QY70	QY71
Liczba wyjść		16	32
Rodzaj wyjścia	Tranzystor (sink)		
Metoda izolacji	Złącze optoelektroniczne		
Znamionowe przelączane napięcie	5 V DC 12 V DC		
Znamionowy przelączany prąd	16 mA/wyjście, 256 mA/moduł	16 mA/wyjście, 512 mA/moduł	
Zakres napięcia	4,5 do 6,5 V DC 10,8 do 15 V DC		
Prąd rozruchowy	40 mA, ≤ 10 ms		
Maks. spadek napięcia w stanie Zał.	0,3 V DC		
Prąd upływu w stanie Wyl.	—		
Czas odpowiedzi	„Wyl.” → „Zał.”	≤ 0,5 ms	
	„Zał.” → „Wyl.”		
Tłumik przepięć	—	—	
Bezpiecznik	1,6 A		
Podłączenia zewnętrzne	Śrubowe listwy zaciskowe	Jedno złącze 40-stykowe	
Grupy wyjść/ilość wyjść w grupie	1/16	1/32	
Zasilanie zewnętrzne	Napięcie	5/12 V DC	
	Prąd	90 mA (przy 12 V)	170 mA (przy 24 V)
Wewnętrzny pobór prądu	95 mA	150 mA	
Waga	0,14 kg		

Dane techniczne		QY80 QY80-TS	QY81P	QY82P
Liczba wyjść		16	32	64
Rodzaj wyjścia	Tranzystor (source)			
Metoda izolacji	Złącze optoelektroniczne			
Znamionowe przelączane napięcie	12 V do 24 V DC			
Znamionowy przelączany prąd	0,5 A/wyjście, 4 A/moduł	0,1 A/wyjście, 2 A/moduł		
Zakres napięcia	10,2 do 28,8 V DC			
Prąd rozruchowy	4 A, ≤ 10 ms	0,7 A, ≤ 10 ms		
Maks. spadek napięcia w stanie Zał.	0,3 V przy 0,5 A	0,2 V przy 0,1 A		
Prąd upływu w stanie Wyl.	≤ 0,1 mA			
Czas odpowiedzi	„Wyl.” → „Zał.”	≤ 1 ms		
	„Zał.” → „Wyl.”			
Tłumik przepięć	Dioda Zenera			
Bezpiecznik	6,7 A	—	—	
Podłączenia zewnętrzne	Zaciski*	37-stykowe złącze D-sub	Dwa złącza 40-stykowe	
Grupy wyjść/ilość wyjść w grupie	1/16	1/32	2/32	
Zasilanie zewnętrzne	Napięcie	12 do 24 V DC		
	Prąd	20 mA (24 V)	40 mA (przy 24 V)	
Wewnętrzny pobór prądu	80 mA	95 mA	160 mA	
Waga	0,17 kg	0,15 kg	0,17 kg	


* QY80: Śrubowe listwy zaciskowe; QY80-TS: Sprężynowe listwy zaciskowe

Mieszane moduły wejściowo/wyjściowe


Dane techniczne		QH42P	QX48Y57
Liczba wejść		32	8
Metoda izolacji	Złącze optoelektroniczne		
Znamionowe napięcie wejściowe	24 V DC		
Zakres napięcia	20,4 do 28,8 V DC		
Znamionowy prąd wejściowy	około 4 mA		
Napięcie/prąd w stanie „Zał.”	≥ 19V DC/≥ 3 mA		
Napięcie/prąd w stanie „Wyl.”	≤ 11 V DC/≤ 1,7 mA		
Rezystancja wejściowa	około 5,6 kΩ		
Czas odpowiedzi (ustawiany)	„Wyl.” → „Zał.”	1/5/10/20/70 ms, Ustawienie początkowe: 10 ms	
	„Zał.” → „Wyl.”		
Grupy wejść/ilość wejść w grupie	1/32	1/8	
Liczba wyjść	32		
Rodzaj wyjścia	Tranzystor (sink)		
Metoda izolacji	Złącze optoelektroniczne		
Znamionowe przelączane napięcie	12 do 24 V DC		
Znamionowy przelączany prąd	0,1 A/wyjście, 2 A/moduł	0,5 A/wyjście, 2 A/moduł	
Prąd rozruchowy	0,7 A ≤ 10 ms	4 A ≤ 10 ms	
Maks. spadek napięcia w stanie Zał.	0,2 V przy 0,1 A	0,1 V przy 0,5 A	
Prąd upływu w stanie Wyl.	≤ 0,1 mA		
Czas odpowiedzi	„Wyl.” → „Zał.”	≤ 1 ms	
	„Zał.” → „Wyl.”		
Tłumik przepięć	Dioda Zenera		
Bezpiecznik	—	4 A	
Podłączenia zewnętrzne	Dwa złącza 40-stykowe	Śrubowe listwy zaciskowe	
Grupy wyjść/ilość wyjść w grupie	1/32	1/7	
Zasilanie zewnętrzne	Napięcie	12 do 24 V DC	
	Prąd	15 mA (przy 24 V)	10 mA (przy 24 V)
Wewnętrzny pobór prądu	130 mA	80 mA	
Waga	0,20 kg	0,20 kg	

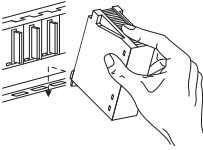
Instalacja i okablowanie

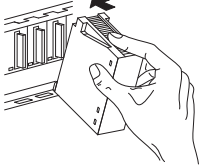
NIEBEZPIECZEŃSTWO	
	
<p>Przed rozpoczęciem instalacji okablowania należy odłączyć wszystkie fazy zasilania PLC oraz inne zewnętrzne źródła.</p>	

UWAGA	
	
<p>● Produkt należy używać w warunkach otoczenia zawartych w ogólnych danych technicznych, opisanych w instrukcji technicznej do MELSEC System Q. Nie wolno używać produktu w obszarach zapylonych, oparach oleju, pyłach przewodzących, żrących lub palnych gazach, narażać na wibracje lub uderzenia, wystawiać na działanie wysokiej temperatury, pary skroplonej lub wiatru i deszczu.</p>	
<p>● Podczas wiercenia otworów pod wkręty lub okablowania, wióry lub obcinane końcówki przewodów nie powinny dostać się do środka szczelinami wentylacyjnymi. Taki przypadek może spowodować zwarcie obwodu. Otwory wentylacyjne należy przykryć dostarczoną, przeciwpylową opaską zabezpieczającą. Chcąc nie dopuścić do przegrzania, należy po zakończeniu instalacji upewnić się, że opaska została usunięta z otworów wentylacyjnych PLC.</p>	
<p>● Kable podłączone do modułu należy tak zamocować, żeby listwy zaciskowe lub złącza nie były poddawane bezpośrednim naprężeniom.</p>	

Montaż modułu do płyty bazowej


UWAGA	
	
<p>● Nie otwierać lub nie modyfikować modułu. Takie poczynania mogą spowodować awarię, wadliwe działanie, uszkodzenie lub pożar.</p>	
<p>● Zatrzaszk do przytwierdzenia modułu należy zawsze wkładać do odpowiedniego otworu znajdującego się w płycie bazowej. Wciskanie zaczepu do otworu spowoduje uszkodzenie złącza modułu oraz modułu.</p>	
<p>● Nie należy bezpośrednio dotykać przewodzących lub elektronicznych części produktu. Takie poczynania mogą spowodować wadliwe działanie elementu lub awarię.</p>	

- 

Po wyłączeniu napięcia zasilania, zatrzaszk do przytwierdzenia modułu należy włożyć do odpowiedniego otworu w płycie bazowej.
- 

Chcąc zainstalować moduł na płycie bazowej, należy pchać go w kierunku oznaczonym strzałką.
- Jeśli spodziewane są duże drgania, moduł należy umocować do płyty bazowej za pomocą dodatkowej śruby (M3 x 12). Śruba ta nie jest dostarczana wraz z modułem.

Okablowanie

NIEBEZPIECZEŃSTWO	
	
<p>● Przed rozpoczęciem instalacji okablowania należy odłączyć wszystkie fazy zasilania PLC oraz inne zewnętrzne źródła.</p>	
<p>● Po wykonaniu instalacji lub okablowaniu a przed załączeniem napięcia zasilania, należy w module zamknąć osłonę listwy zaciskowej.</p>	
<p>● Na skutek uszkodzenia modułu, jego wyjścia mogą pozostać w stanie złączonym lub wyłączonym. Należy zbudować zewnętrzny obwód monitorujący te wyjścia, które mogą spowodować znaczną awarię.</p>	

Używać przewodów o przekroju od 0,3 mm² do 0,75 mm². Końce linek należy skrócić i zastosować skuwki. Zalecana jest ochrona połączeń przewodów izolacyjnymi rurkami.

Kable łączące

Połączenie z 37-stykowym złączem D-sub (QX81 i QY81P) można wykonać za pomocą dostępnych, prefabrykowanych kabli łączących Q32CBL-3M i Q32CBL-5M.

Do połączenia z 40-stykowym złączem (QX41, QX42, QX71, QX72, QY41P, QY42P, QY71 i QH42P), można użyć prefabrykowanych kabli łączących Q40CBL-3M i Q40CBL-5M.

W celu zmniejszenia wpływu obwodów zasilających lub innych źródeł na powstanie zakłóceń elektrycznych, należy przestrzegać następujących uwag:

- Nie wiązać razem przewodów zasilających AC, z przewodami zasilającymi obwody DC.
- Nie układać kabli sygnałowych blisko obwodów sieci zasilającej, linii zasilających wysokiego napięcia lub linii łączących z obciążeniem. W przeciwnym wypadku mogą pojawić się następstwa, spowodowane wpływem zakłóceń lub przepięć. Kable należy prowadzić z zachowaniem bezpiecznej odległości od powyższych obwodów, większej niż 100 mm.
- Maksymalna długość kabli łączących wejścia i wyjścia wynosi 100 m. Właściwe zapobieganie zakłóceniom wymaga jednak ograniczenia długości kabla do 20 m. Pod uwagę trzeba wziąć spadek napięcia w przewodzie.

Okablowanie modułów wejściowych

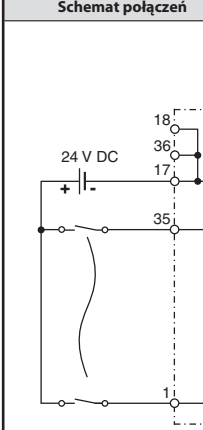
Moduły z listwą zaciskową (QX10, QX28, QX40, QX40-S1, QX50, QX70, QX80)

Schemat połączeń cyfrowych modułów wejściowych z wymiennymi listwami zaciskowymi, wydrukowany jest na modułach. Przy kablowaniu modułów należy patrzeć na te schematy.

Moduły ze sprężynowymi listwami zaciskowymi (QX10-TS, QX40-TS, QX80-TS)

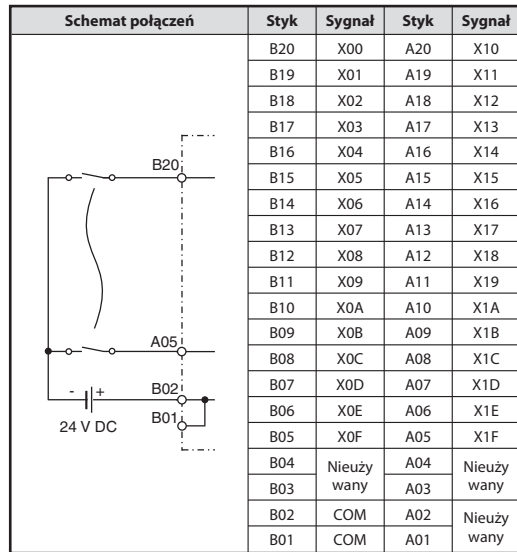
Zaciski 1 do 16: X00 do X0F
Zacisk 17: COM (QX10-TS, QX40-TS), wolny (QX80-TS)
Zacisk 18: Wolny (QX10-TS, QX40-TS), COM (QX80-TS)

Moduł QX81 z 37-stykowym złączem D-sub

Schemat połączeń	Styk	Sygnał	Styk	Sygnał
	1	X00	9	X10
	20	X01	28	X11
	2	X02	10	X12
	21	X03	29	X13
	3	X04	11	X14
	22	X05	30	X15
	4	X06	12	X16
	23	X07	31	X17
	5	X08	13	X18
	24	X09	32	X19
	6	X0A	14	X1A
	25	X0B	33	X1B
	7	X0C	15	X1C
	26	X0D	34	X1D
	8	X0E	16	X1E
	27	X0F	35	X1F
	17	COM	37	Nie używany
	36	COM	19	
18	COM			

Moduły z 40-stykowym złączem

- QX41, QX41-S1



- QX42, QX42-S1, QX71, QX82, QX82-S1

Zacisk COM w modułach QX42 i QX42-S1 należy połączyć z dodatnim biegunem zewnętrznego zasilacza, natomiast w modułach QX82 i QX82-S1 zacisk COM należy połączyć z ujemnym biegunem zewnętrznego zasilacza.

Moduł QX71 może być użyty zarówno wtedy, gdy zacisk wspólny połączony jest z biegunem dodatnim, jak i ze wspólnym zaciskiem ujemnym.

Lewe złącze				Prawe złącze			
Styk	Sygnal	Styk	Sygnal	Styk	Sygnal	Styk	Sygnal
1B20	X00	1A20	X10	2B20	X20	2A20	X30
1B19	X01	1A19	X11	2B19	X21	2A19	X31
1B18	X02	1A18	X12	2B18	X22	2A18	X32
1B17	X03	1A17	X13	2B17	X23	2A17	X33
1B16	X04	1A16	X14	2B16	X24	2A16	X34
1B15	X05	1A15	X15	2B15	X25	2A15	X35
1B14	X06	1A14	X16	2B14	X26	2A14	X36
1B13	X07	1A13	X17	2B13	X27	2A13	X37
1B12	X08	1A12	X18	2B12	X28	2A12	X38
1B11	X09	1A11	X19	2B11	X29	2A11	X39
1B10	X0A	1A10	X1A	2B10	X2A	2A10	X3A
1B09	X0B	1A09	X1B	2B09	X2B	2A09	X3B
1B08	X0C	1A08	X1C	2B08	X2C	2A08	X3C
1B07	X0D	1A07	X1D	2B07	X2D	2A07	X3D
1B06	X0E	1A06	X1E	2B06	X2E	2A06	X3E
1B05	X0F	1A05	X1F	2B05	X2F	2A05	X3F
1B04	Nie używany	1A04	Nie używany	2B04	Nie używany	2A04	Nie używany
1B03	Nie używany	1A03	Nie używany	2B03	Nie używany	2A03	Nie używany
1B02	COM1	1A02	Nie używany	2B02	COM2	2A02	Nie używany
1B01	COM1	1A01	Nie używany	2B01	COM2	2A01	Nie używany

Okablowanie modułów wyjściowych

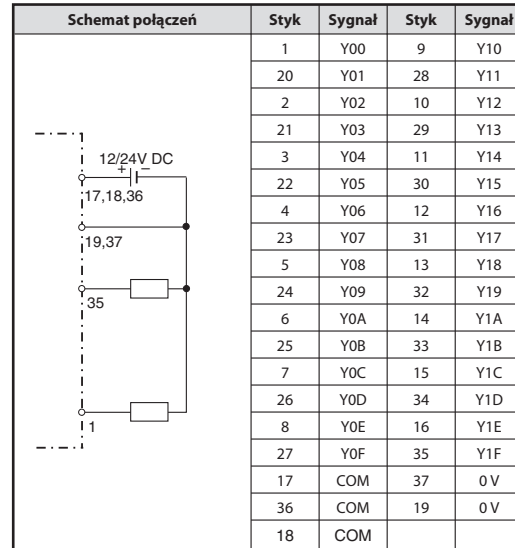
Moduły z listwą zaciskową (QY10, QY18, QY22, QY68A, QY40P, QY50, QY70, QY80)

Schemat połączeń cyfrowych modułów wyjściowych z wymiennymi listwami zaciskowymi, wydrukowany jest na modułach. Przy kablowaniu modułów należy patrzeć na te schematy.

Moduły ze sprężynowymi listwami zaciskowymi (QY10-TS, QY40P-TS, QY80-TS)

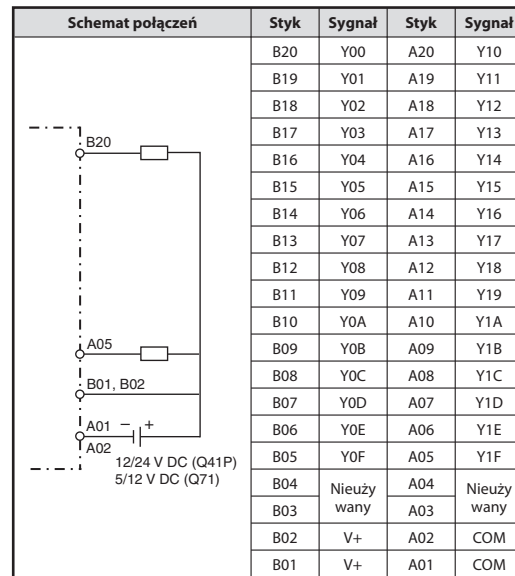
Zaciski 1 do 16: Y00 do Y0F
COM (QY10-TS), 12-24 V DC (QY40P-TS),
COM/12-24 V DC (QY80-TS)
Zacisk 17: Wolny (QY10-TS), COM/0 V (QY40P-TS),
0 V (QY80-TS)

Moduł QX81 z 37-stykowym złączem D-sub

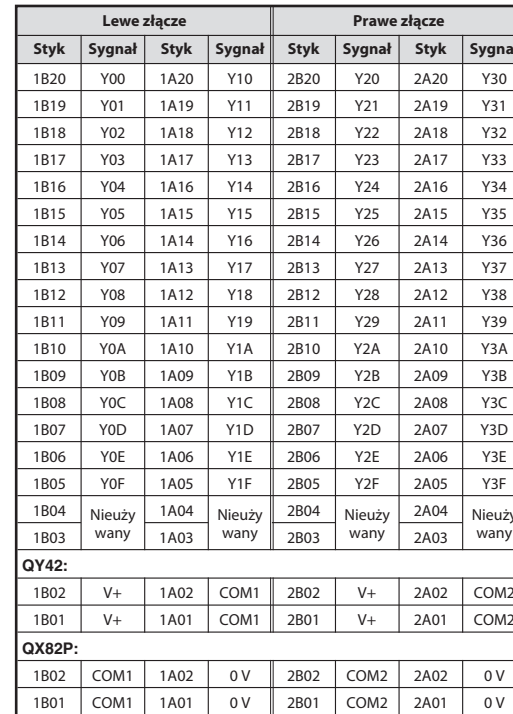


Moduły z 40-stykowym złączem

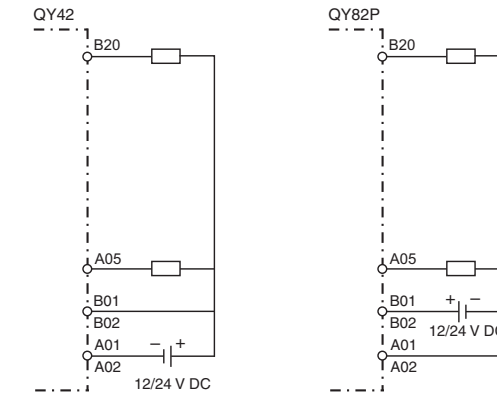
- QY41P i QY71



- QY42 i QY82P



Złącze

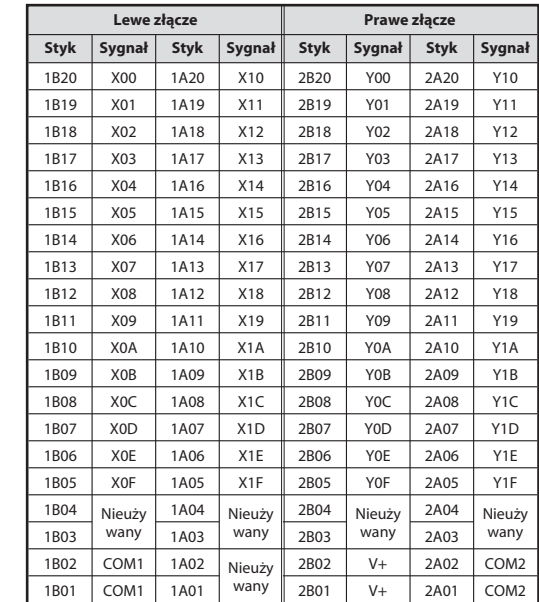


Okablowanie mieszanych modułów wejściowo/wyjściowych

QX48Y57 (listwa zaciskowa)

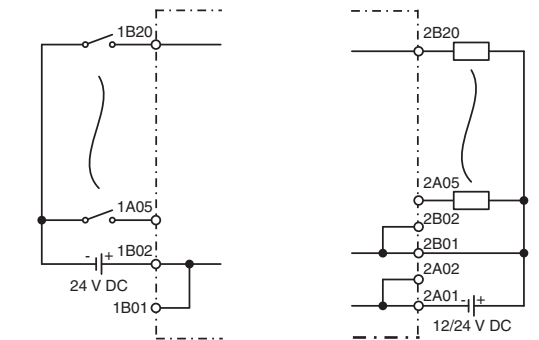
Schemat połączenia QX48Y57 wydrukowany jest na module. Przy kablowaniu modułu należy patrzeć na te schematy.

QH42P (Dwa złącza 40-stykowe)



Okablowanie wejścia modułu QH42P

Okablowanie wyjścia modułu QH42P



MELSEC System Q

Programozható vezérlők

Digitális I/O modulok – telepítési útmutató

Rend.sz. 212595 HUN, verzió C, 19092011

Biztonsági óvintézkedések

Kizárólag szakképzett villamos szakemberek számára

Jelen telepítési útmutató az elektromos és automatizálási technika biztonsági előírásait ismerő, megfelelő képzettséggel rendelkező villamos szakemberek számára íródott. A készülék rendszerbe illesztését, telepítését, üzembe helyezését, karbantartását és ellenőrzését csakis megfelelő képzettséggel rendelkező villamos szakember végezheti. Termékeink jelen telepítési útmutatóban vagy más kézikönyvekben nem szereplő hardveres illetve szoftveres módosítását kizárólag erre jogosult szakembereink végezhetik.

Rendeltetésszerű használat

A MELSEC System Q programozható logikai vezérlő (PLC) egységei csak a jelen telepítési útmutatóban vagy az alább felsorolt kézikönyvekben szereplő alkalmazási területeken használhatók. Ügyeljen a kézikönyvekben megadott általános üzemeltetési feltételek betartására. Az ismertetett termékek tervezése, gyártása, ellenőrzése és dokumentálása a vonatkozó biztonsági szabványok szigorú betartása mellett történt. A készülék hardveres vagy szoftveres részének engedély nélküli módosítása, illetve a telepítési útmutatóban leírtak be nem tartása súlyos személyi sérülést, illetve anyagi károkat okozhat. A MELSEC System Q sorozat PLC egységeihez kizárólag a Mitsubishi Electric által javasolt és jóváhagyott kiegészítők és bővítmények használhatók. Minden más használat és alkalmazás nem ajánlott.

Biztonsági előírások

A készülékek rendszerbe illesztését, telepítését, üzembe helyezését, karbantartását és ellenőrzését az adott alkalmazásra érvényes biztonsági és baleset-megelőzési előírások betartásával kell elvégezni. A telepítési útmutató a készülék szakszerű és biztonságos használata szempontjából fontos figyelmeztetéseket tartalmaz. Ezek jelentése a következő:

VESZÉLY:
A felhasználót **fenyegető veszélyre figyelmeztet.**
Be nem tartása veszélyt jelenthet a felhasználó életére és egészségére.

VIGYÁZAT:
A készüléket **fenyegető veszélyre figyelmeztet.**
Be nem tartása a készülék vagy más anyagi javak súlyos károsodását okozhatja.

További információk

A következő kézikönyvekben további információk találhatóak a készülékkel kapcsolatban:

- MELSEC System Q hardver-kézikönyv
- Programozási útmutató a MELSEC A/Q sorozathoz és a MELSEC System Q-hoz, cikkszám: 87432

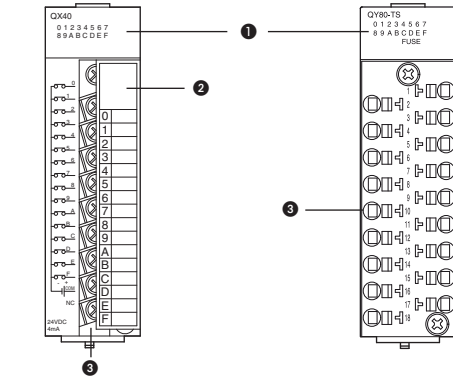
A kézikönyvek ingyenesen letölthetők internetes honlapunkról (www.mitsubishi-automation.hu).

Amennyiben kérdése volna a MELSEC System Q vezérlések telepítésével, programozásával és üzemeltetésével kapcsolatban, kérjük, forduljon az önhöz legközelebbi kereskedelmi kirendeltségünkhöz vagy viszonteladónkhoz.

Kezelőelemek

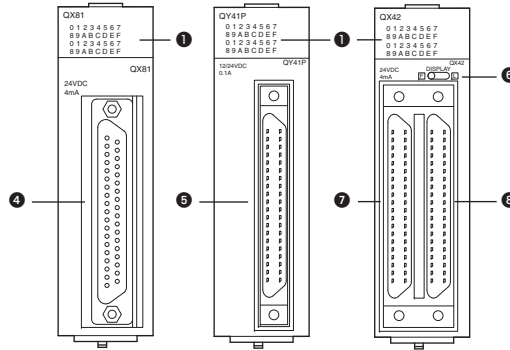
Csavarszorítós sorkapcsú modulok

Rugós szorítós sorkapcsú modulok



Modulok 37 tűs csatlakozóval

Modulok 40 tűs csatlakozóval

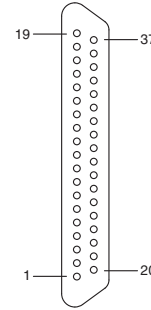


Nr.	Leírás	
1	LED kijelző (minden be- és kimenethez tartozik egy piros LED, amely az adott be/kimenet állapotát jelzi (világít = BE).)	
2	Kapocsfedél (kihajtható)	
3	Levehető kapocsleéc	
4	37 tűs D-Sub csatlakozó	
5	40 tűs csatlakozó	
6	Kapcsoló a LED kijelző átkapcsolásához 64 be/kimenettel rendelkező moduloknál: <ul style="list-style-type: none"> ● F állás: Állapotkijelzés az 1-es csatlakozó jelei számára (X00–X1F bemenetek ill. Y00–Y1F kimenetek) QH42P-nél: Állapotkijelzés az X00–X1F bemenetek számára ● L állás: Állapotkijelzés az 2-es csatlakozó jelei számára (X20–X3F bemenetek ill. Y20–Y3F kimenetek) QH42P-nél: Állapotkijelzés az Y00–Y1F kimenetek számára 	
7	40 tűs csatlakozó	1-es csatlakozó
8		2-es csatlakozó

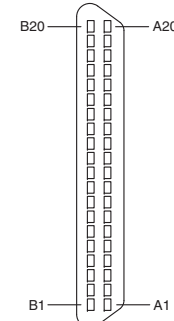
A csatlakozótűk kiosztása

A csatlakozók a képen a modul előlőnézetében láthatók.

37 tűs D-Sub csatlakozó



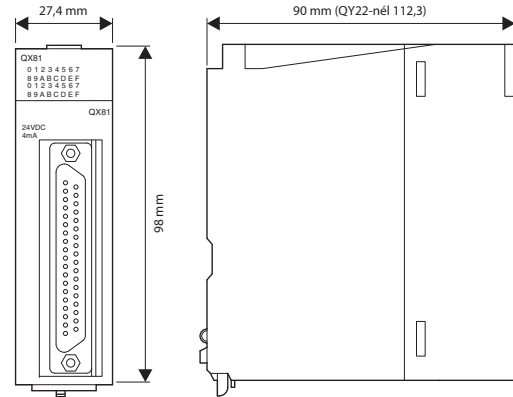
40 tűs csatlakozó



Ügyeljen arra, hogy a 40 tűs csatlakozó nem D-Sub csatlakozó. Csatlakoztatáshoz az A6CON-2, A6CON-3 vagy az A6CON-4 csatlakozók, illetve a készre szerelt vezetékek használhatók (lásd a Csatlakoztatás c. részt).

Méretetek

Az QY22 kimeneti modul kivételével minden E/A modul mérete megegyező.



Műszaki adatok

Általános üzemeltetési feltételek

Feltétel	Műszaki adatok	
Környezeti hőmérséklet	Üzem közben	0–55°C
	Raktározás	–25 és 75 °C között
Relatív páratartalom (üzem közben)		5–95 % (páralesapódás nélküli)
Környezet		Nincs jelen sem agresszív vagy gyúlékony gáz, sem túlzott mértékű por
Beszerezési helye		Vezérlőpanel

A további általános üzemeltetési feltételeket lásd a MELSEC System Q hardver kézikönyvben.

AC bemeneti modulok

Műszaki adatok	QX10 QX10-TS	QX28
Bemenetek száma	16	8
Szigetelés	Optocsatoló	
Névleges feszültség	100–120 V AC 50/60 Hz	100–240 V AC 50/60 Hz
Feszültségtartomány	85–132 V	85–264 V
Max. bekapcsolási túláram	200 mA, 1 ms-ig (132 V AC feszültségnél)	500 mA, 1 ms-ig (264 V AC feszültségnél)
Névleges bemenő áram	7 mA (100 V AC, 50 Hz) 8 mA (100 V AC, 60 Hz)	7 mA (100 V AC, 50 Hz) 8 mA (100 V AC, 60 Hz) 14 mA (200 V AC, 50 Hz) 17 mA (200 V AC, 60 Hz)
A "BE" jelszint feszültsége/árama	≥ 80 V AC/≥ 5 mA	
A "KI" jelszint feszültsége/árama	≤ 30 V AC/≤ 1,7 mA	
Bemeneti ellenállás	15 kΩ (50 Hz) 12 kΩ (60 Hz)	
Válaszidő	KI → BE	≤ 15 ms
	BE → KI	≤ 20 ms
Külső csatlakozások	Kapcsok*	Csavarszorítós sorkapcsok
Bemeneti csoportok száma/bemenetek csoportonként	1/16	1/8
Belső áramfelvétel	50 mA	50 mA
Tömeg	0,17 kg	0,20 kg

* QX10: csavarszorítós sorkapcsok
QX10-TS: rugós szorítós sorkapcsok

DC bemeneti modulok (24 V DC)

Műszaki adatok	QX40 QX40-TS	QX40-S1	QX41	QX41-S1
Bemenetek száma	16	16	32	32
Jeladó típusa	Negatív kapcsolású			
Szigetelés	Optocsatoló			
Névleges feszültség	24 V DC			
Feszültségtartomány	20,4–28,8 V DC			
Névleges bemenő áram	4 mA	6 mA	4 mA	4 mA
A "BE" jelszint feszültsége/árama	≥ 19 V/ ≥ 3 mA	≥ 19 V/ ≥ 4 mA	≥ 19 V/ ≥ 3 mA	≥ 19 V/ ≥ 4 mA
A "KI" jelszint feszültsége/árama	≤ 11 V/≤ 1,7 mA			≤ 9,5 V/ ≤ 1,5 mA
Bemeneti ellenállás	5,6 kΩ	3,9 kΩ	5,6 kΩ	
Válaszidő (beállítható)	KI → BE BE → KI	1/5/10/ 20/70 ms Alap- beállítás: 10 ms	0,1/0,2/ 0,4/0,6/ 1,0 ms Alap- beállítás: 0,2 ms	1/5/10/ 20/70 ms Alap- beállítás: 10 ms
Külső csatlakozások	Kapcsok*	Csavarszorító sorkapcsok	Egy 40 tűs csatlakozó	
Bemeneti csoportok száma/ bemenetek csoportonként	1/16		1/32	
Belső áramfelvétel	50 mA	60 mA	75 mA	
Tömeg	0,16 kg	0,20 kg	0,15 kg	

* QX40: csavarszorítás sorkapcsok
QX40-TS: rugós szorítás sorkapcsok

Műszaki adatok	QX42 QX82	QX42-S1 QX82-S1	QX80 QX80-TS	QX81
Bemenetek száma	64	64	16	32
Jeladó típusa	QX42/QX42-S1: negatív kapcsolású QX82/QX82-S1: pozitív kapcsolású		Pozitív kapcsolású	
Szigetelés	Optocsatoló			
Névleges feszültség	24 V DC			
Feszültségtartomány	20,4–28,8 V DC			
Névleges bemenő áram	4 mA			
A "BE" jelszint feszültsége/árama	≥ 19 V/≥ 3 mA			
A "KI" jelszint feszültsége/árama	≤ 11 V/ ≤ 1,7 mA	≤ 9,5 V/ ≤ 1,5 mA	≤ 11 V/ ≤ 1,7 mA	≤ 9,5 V/ ≤ 1,5 mA
Bemeneti ellenállás	5,6 kΩ			
Válaszidő (beállítható)	KI → BE BE → KI	1/5/10/ 20/70 ms Alap- beállítás: 10 ms	0,1/0,2/ 0,4/0,6/ 1,0 ms Alap- beállítás: 0,2 ms	1/5/10/20/70 ms Alapbeállítás: 10 ms
Külső csatlakozások	Két 40 tűs csatlakozó	Kapcsok*	37 tűs D-Sub csatlakozó	
Bemeneti csoportok száma/ bemenetek csoportonként	2/32		1/16	1/32
Belső áramfelvétel	90 mA	50 mA	75 mA	
Tömeg	0,18 kg		0,16 kg	

* QX80: csavarszorítás sorkapcsok
QX80-TS: rugós szorítás sorkapcsok

DC bemeneti modulok (5/12 V DC)

Műszaki adatok	QX70	QX71	QX72
Bemenetek száma	16	32	64
Jeladó típusa	Választható pozitív vagy negatív kapcsolás		
Szigetelés	Optocsatoló		
Névleges feszültség	5 V DC/12 V DC		
Feszültségtartomány	4,25–6 V/10,2–14,4 V		
Névleges bemenő áram	5 V DC: 1,2 mA/12 V DC: 3,3 mA		
A "BE" jelszint feszültsége/árama	≥ 3,5 V/≥ 1 mA		≥ 3,5 V/ ≥ 3 mA
A "KI" jelszint feszültsége/árama	≤ 1 V/≤ 0,1 mA		
Bemeneti ellenállás	3,3 kΩ		
Válaszidő (beállítható)	KI → BE BE → KI	1/5/10/20/70 ms Alapbeállítás: 10 ms	
Külső csatlakozások	Csavarszorítás sorkapcsok	Egy 40 tűs csatlakozó	Két 40 tűs csatlakozó
Bemeneti csoportok száma/ bemenetek csoportonként	1/16	1/32	2/32
Belső áramfelvétel	55 mA	70 mA	85 mA
Tömeg	0,14 kg	0,12 kg	0,13 kg

DC bemeneti modulok (48 V)

Műszaki adatok	QX50	
	DC bemeneti	AC bemeneti
Bemenetek száma	16	
Jeladó típusa	Választható pozitív vagy negatív kapcsolás	
Szigetelés	Optocsatoló	
Névleges feszültség	48 V DC	48 V AC
Feszültségtartomány	40,8–57,6 V DC	40,8–52,8 V
Névleges bemenő áram	kb. 4 mA	
A "BE" jelszint feszültsége/árama	≥ 28 V/≥ 2,5 mA	
A "KI" jelszint feszültsége/árama	≤ 10 V/≤ 1,0 mA	
Bemeneti ellenállás	11,2 kΩ	
Válaszidő	KI → BE BE → KI	≤ 5 ms ≤ 20 ms
Külső csatlakozások	Csavarszorítás sorkapcsok	
Bemeneti csoportok száma/ bemenetek csoportonként	1/16	
Belső áramfelvétel	50 mA	
Tömeg	0,13 kg	

Relé kimeneti modulok

Műszaki adatok	QY10	QY10-TS	QY18A
Kimenetek száma	16		8
Kimenet típusa	Relé		
Szigetelés	Relé		
Névleges kapcsolási feszültség/áram	24 V DC, 2 A (ohmos terhelés) kimenetenként 240 V AC, 2 A (cos fi = 1) kimenetenként; max. 8 A csoportonként (csak QY10 és QY10-TS)		
Min. kapcsolási terhelés	5 V DC, 1 mA		
Max. kapcsolási áram	125 V DC/264 V AC		
Max. kapcsolási frekvencia	3600 kapcsolás/h		
Válaszidő	KI → BE BE → KI	≤ 10 ms ≤ 12 ms	
Túlfeszültség-levezető	—		
Külső csatlakozások	Csavarszorítás sorkapcsok	Rugós szorítás sorkapcsok	Csavarszorítás sorkapcsok
Bemeneti csoportok száma/ bemenetek csoportonként	1/16		8/1 (Minden kimenet független)
Belső áramfelvétel	430 mA		
Tömeg	0,22 kg		

Triak kimeneti modul

Műszaki adatok	QY22
Kimenetek száma	16
Kimenet típusa	Triak
Szigetelés	Optocsatoló
Névleges kapcsolási feszültség	100 V–240 V AC
Max. terhelőáram	Kimenetenként 0,6 A, modulonként 4,8 A
Feszültségtartomány	85–288 V AC
Max. bekapcsolási túláram	20 A
Max. feszültségesés bekapcsoláskor	≤ 1,5 V
Min. terhelés	24 V AC (100 mA) 100 V AC (25 mA) 240 V AC (25 mA)
Szivárgási áram kikapcsolt kimenetnél	≤ 1,5 mA (120 V, 60 Hz) ≤ 3 mA (240 V, 60 Hz)
Válaszidő	KI → BE BE → KI
Túlfeszültség-levezető	RC tag
Biztosító	—
Külső csatlakozások	Csavarszorítás sorkapcsok
Bemeneti csoportok száma/ bemenetek csoportonként	1/16
Belső áramfelvétel	250 mA
Tömeg	0,40 kg

Tranzisztoros kimeneti modulok

Műszaki adatok	QY40P	QY40P-TS	QY41P	QY42P
Kimenetek száma	16	16	32	64
Kimenet típusa	Tranzisztor (pozitív/negatív kapcsolású)			
Szigetelés	Optocsatoló			
Névleges kapcsolási feszültség	12 V – 24 V DC			
Névleges kimenő áram	0,1 A/kimenet, 1,6 A/modul		0,1 A/kimenet, 2 A/ csoport	
Feszültségtartomány	10,2–28,8 V DC			
Max. bekapcsolási túláram	0,7 A, ≤ 10 ms			
Max. feszültségesés bekapcsoláskor	0,2 V/0,1 A			
Szivárgási áram kikapcsolt kimenetnél	≤ 0,1 mA			
Válaszidő	KI → BE BE → KI	≤ 1 ms		
Túlfeszültség-levezető	Zener dióda			
Biztosító	—			
Külső csatlakozások	Csavarszorítás sorkapcsok	Rugós szorítás sorkapcsok	Egy 40 tűs csatlakozó	Két 40 tűs csatlakozó
Bemeneti csoportok száma/ bemenetek csoportonként	1/16	1/32	2/32	
Tápellátás	Feszültség Áram	12–24 V DC 10 mA (24 V) 20 mA (24 V) 20 mA (24 V)		
Belső áramfelvétel	65 mA	105 mA	150 mA	
Tömeg	0,16 kg	0,15 kg	0,17 kg	

Műszaki adatok	QY50	QY68A
Kimenetek száma	16	8
Kimenet típusa	Tranzisztor (negatív kapcsolású)	Tranzisztor (pozitív/negatív kapcsolású)
Szigetelés	Optocsatoló	
Névleges kapcsolási feszültség	12 V–24 V DC	5 V–24 V DC
Névleges kimenő áram	0,5 A/kimenet, 4 A/modul	2 A/kimenet, 8 A/modul
Feszültségtartomány	10,2–28,8 V DC	4,5–28,8 V DC
Max. bekapcsolási túláram	4 A, ≤ 10 ms	8 A, ≤ 10 ms
Max. feszültségesés bekapcsoláskor	0,3 V/0,5 A	0,3 V/2 A
Szivárgási áram kikapcsolt kimenetnél	≤ 0,1 mA	
Válaszidő	KI → BE BE → KI	≤ 3 ms ≤ 10 ms
Túlfeszültség-levezető	Zener dióda	
Biztosító	6,7 A	—
Külső csatlakozások	Csavarszorítás sorkapcsok	
Bemeneti csoportok száma/ bemenetek csoportonként	1/16	8/1 (minden kimenet független)
Tápellátás	Feszültség Áram	12–24 V DC 20 mA (24 V)
Belső áramfelvétel	80 mA	110 mA
Tömeg	0,17 kg	0,14 kg

Tranzisztoros kimeneti modulok

Műszaki adatok	QY70	QY71	
Bemenetek száma	16	32	
Kimenet típusa	Tranzisztor (negatív kapcsolású)		
Szigetelés	Optocsatoló		
Névleges kapcsolási feszültség	5 V DC 12 V DC		
Névleges kimenő áram	16 mA/kimenet, 256 mA/modul	16 mA/kimenet, 512 mA/modul	
Feszültségtartomány	4,5–6,5 V DC 10,8–15 V DC		
Max. bekapcsolási túláram	40 mA, ≤ 10 ms		
Max. feszültségesés bekapcsoláskor	0,3 V DC		
Szivárgási áram kikapcsolt kimenetnél	—		
Válaszidő	KI → BE BE → KI ≤ 0,5 ms		
Túlfeszültség-levezető	—		
Biztosító	1,6 A		
Külső csatlakozások	Csavarzorítás sorkapcsok	Egy 40 tűs csatlakozó	
Kimeneti csoportok száma/kimenetek csoportonként	1/16	1/32	
Tápellátás	Feszültség	5/12 V DC	
	Áram	90 mA (12 V)	170 mA (24 V)
Belső áramfelvétel	95 mA	150 mA	
Tömeg	0,14 kg		


Műszaki adatok	QY80 QY80-TS	QY81P	QY82P
Bemenetek száma	16	32	64
Kimenet típusa	Tranzisztor (pozitív kapcsolású)		
Szigetelés	Optocsatoló		
Névleges kapcsolási feszültség	12 V–24 V DC		
Névleges kimenő áram	0,5 A/kimenet, 4 A/modul	0,1 A/kimenet, 2 A/modul	
Feszültségtartomány	10,2–28,8 V DC		
Max. bekapcsolási túláram	4 A, ≤ 10 ms	0,7 A, ≤ 10 ms	
Max. feszültségesés bekapcsoláskor	0,3 V/0,5 A	0,2 V/0,1 A	
Szivárgási áram kikapcsolt kimenetnél	≤ 0,1 mA		
Válaszidő	KI → BE BE → KI ≤ 1 ms		
Túlfeszültség-levezető	Zener dióda		
Biztosító	6,7 A	—	—
Külső csatlakozások	Kapcsok*	37 tűs D-Sub csatlakozó	Két 40 tűs csatlakozó
Kimeneti csoportok száma/kimenetek csoportonként	1/16	1/32	2/32
Tápellátás	Feszültség	12–24 V DC	
	Áram	20 mA (24 V)	40 mA (24 V)
Belső áramfelvétel	80 mA	95 mA	160 mA
Tömeg	0,17 kg	0,15 kg	0,17 kg


* QY80: Csavarzorítás sorkapcsok; QY80-TS: Rugós szorítás sorkapcsok

Kombinált I/O modulok


Műszaki adatok	QH42P	QX48Y57	
Bemenetek száma	32	8	
Szigetelés	Optocsatoló		
Névleges feszültség	24 V DC		
Feszültségtartomány	20,4–28,8 V DC		
Névleges bemenő áram	kb. 4 mA		
A "BE" jelszint feszültsége/árama	≥ 19V DC/≥ 3 mA		
A "KI" jelszint feszültsége/árama	≤ 11 V DC/≤ 1,7 mA		
Bemeneti ellenállás	kb. 5,6 kΩ		
Válaszidő (beállítható)	KI → BE BE → KI 1/5/10/20/70 ms, Alapbeállítás: 10 ms		
Bemeneti csoportok száma/ bemenetek csoportonként	1/32	1/8	
Kimenetek száma	32	7	
Kimenet típusa	Tranzisztor (negatív kapcsolású)		
Szigetelés	Optocsatoló		
Névleges kapcsolási feszültség	12–24 V DC		
Névleges kimenő áram	0,1 A/kimenet, 2 A/modul	0,5 A/kimenet, 2 A/modul	
Max. bekapcsolási túláram	0,7 A ≤ 10 ms	4 A ≤ 10 ms	
Max. feszültségesés bekapcsoláskor	0,2 V/0,1 A	0,1 V/0,5 A	
Szivárgási áram kikapcsolt kimenetnél	≤ 0,1 mA		
Válaszidő	KI → BE BE → KI ≤ 1 ms		
Túlfeszültség-levezető	Zener dióda		
Biztosító	—	4 A	
Külső csatlakozások	Két 40 tűs csatlakozó	Csavarzorítás sorkapcsok	
Kimeneti csoportok száma/ kimenetek csoportonként	1/32	1/7	
Tápellátás	Feszültség	12–24 V DC	
	Áram	15 mA (24 V)	10 mA (24 V)
Belső áramfelvétel	130 mA	80 mA	
Tömeg	0,20 kg	0,20 kg	

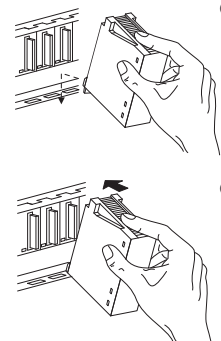
Felszerelés

VESZÉLY	
	
A telepítési és huzalozási munkálatok megkezdése előtt mindig kapcsolja ki a PLC tápellátását, és kapcsoljon ki minden külső tápforrást.	

VIGYÁZAT	
	
<ul style="list-style-type: none"> ● A berendezést kizárólag a MELSEC System Q hardver kézikönyvben leírt feltételek között üzemeltesse. Ne tegye ki a készüléket pornak, olajkődnek, korrozív vagy gyúlékony gázoknak, erős rezgésnek illetve ütéseknek, magas hőmérsékletnek, páralecsapódásnak, vagy nedvességnek. ● Huzalozáskor vagy a csavarok furatainak fúrásakor ügyeljen arra, hogy a levágott vezetékvegek vagy forgácsok ne juthassanak a szellőzőnyílásokba. Felszerelés közben használja a mellékelt fedelet a szellőzőnyílások letakarására. A szerelési munkálatokat követően távolítsa el a fedelet, ellenkező esetben a vezérlő üzem közben túlmelegedhet. ● Úgy csatlakoztassa a kábeleket a modulokhoz, hogy a kapcsolókat ill. a csatlakozókat ne tegye ki túlzott mechanikai igénybevételnek. 	

A modulok felszerelése az alapegységre

VIGYÁZAT	
	
<ul style="list-style-type: none"> ● Ne nyissa fel a modul tokozását, és ne alakítsa át a modult, mert ez meghibásodást, üzemzavart, személyi sérüléseket és/vagy tüzet okozhat. ● A modulrögítítő fülnek az alapegységen található lyukba történő behelyezését mindig körültekintően végezze. Ellenkező esetben, a modul illetve a csatlakozója megsérülhet. ● Soha ne érintse meg a modul áramot vezető részét vagy elektronikus alkatrészeit. Ez a modul hibás működését vagy tönkremenetelét okozhatja. 	

- 
- ① A tápegység kikapcsolása után helyezze a modul alsó fülét az alapegység vezetőnyílásába.
 - ② Ezután nyomja a modult határozottan az alapegységre, míg az teljesen a helyére nem kerül.
- ③ Ha a felszerelés helyén rezgések jelentkezhetnek, rögzítse a modult rögzítőcsavarokkal (M3 x 12). A csavarok nem részei a modul szállítási terjedelemének.

Csatlakoztatás

A huzalozáshoz 0,3–0,75 mm² keresztmetszetű vezetéket használjon. A lecsapított vezetékek végére helyezzen kábelarut, melyet a megérintés elkerülése érdekében védjen szigetelőcsővel.

Csatlakozókábel

A 37 tűs D-Sub csatlakozóhoz (QX81 és QY81P) a előszerelt Q32CBL-3M és Q32CBL-5M csatlakozókábelek csatlakoztathatók. A 40 tűs csatlakozóhoz (QX41, QX42, QX71, QX72, QY41P, QY42P, QY71 és QH42P) az előszerelt Q40CBL-3M és Q40CBL-5M csatlakozókábelek használhatók.

Kérjük, hogy a tápegységek és más zavarforrások interferenciájának kiküszöbölése érdekében tartsa be a következő útmutatásokat:

- Ne vezessen DC tápkábeleket AC tápkábelek közvetlen közelében.
- A nagyfeszültségű, illetve nagy áramot vezető kábeleket az vezérlő- és adatkábelektől különválasztva vezesse. Tartson köztük legalább 100 mm távolságot.
- A bemenő és kimenő kábelek legfeljebb 100 m-ig hosszabbíthatók meg. Az interferencia biztonságos elkerülése érdekében nem ajánlott túllépni a 20 m-es távolságot. Vegye figyelembe a kábelekre érvényes feszültségéset is.

A bemeneti modulok csatlakoztatása

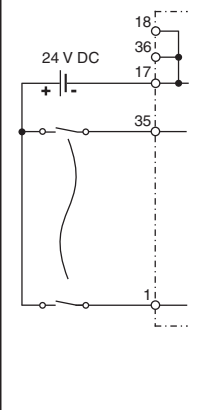
Kapocslelcell ellátott modulok (QX10, QX28, QX40, QX40-51, QX50, QX70, QX80)

A levehető kapcsolóval rendelkező digitális bemeneti modulok esetén a kapcsolási rajz a modulra van nyomtatva. Kérjük, hogy huzalozásnál vegye figyelembe ezt a kapcsolási rajzot.

Rugós szorítás sorkapcsú modulok (QX10-TS, QX40-TS, QX80-TS)

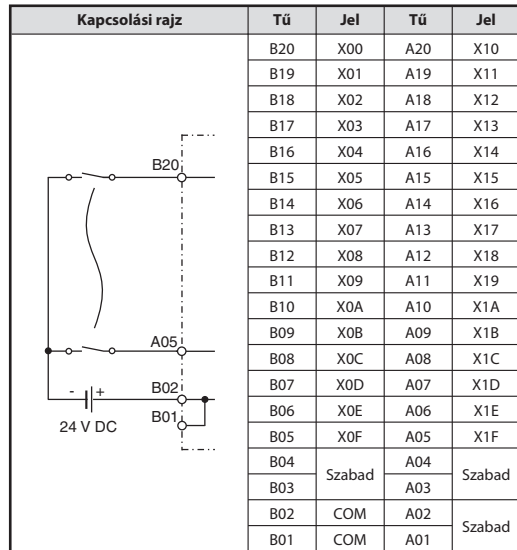
1–16. kapocs: X00–X0F
17. kapocs: COM (QX10-TS, QX40-TS); szabad (QX80-TS)
18. kapocs: Szabad (QX10-TS, QX40-TS), COM (QX80-TS)

QX81 modul 37 tűs D-Sub csatlakozóval

Kapcsolási rajz	Tű	Jel	Tű	Jel
	1	X00	9	X10
	20	X01	28	X11
	2	X02	10	X12
	21	X03	29	X13
	3	X04	11	X14
	22	X05	30	X15
	4	X06	12	X16
	23	X07	31	X17
	5	X08	13	X18
	24	X09	32	X19
	6	X0A	14	X1A
	25	X0B	33	X1B
	7	X0C	15	X1C
	26	X0D	34	X1D
	8	X0E	16	X1E
	27	X0F	35	X1F
	17	COM	37	Szabad
	36	COM	19	
18	COM			

Modulok 40 tűs csatlakozóval

- QX41, QX41-S1



- QX42, QX42-S1, QX71, QX82, QX82-S1

A COM kaptst a QX42/QX42-S1 moduloknál a külső tápegység pozitív pólusához, a QX82/QX82-S1 moduloknál a külső tápegység negatív pólusához csatlakoztassa.

QX71 modul esetén pozitív és negatív kapcsolósú érzékelők egyaránt csatlakoztathatók.

Bal oldali csatlakozó				Jobb oldali csatlakozó			
Tű	Jel	Tű	Jel	Tű	Jel	Tű	Jel
1B20	X00	1A20	X10	2B20	X20	2A20	X30
1B19	X01	1A19	X11	2B19	X21	2A19	X31
1B18	X02	1A18	X12	2B18	X22	2A18	X32
1B17	X03	1A17	X13	2B17	X23	2A17	X33
1B16	X04	1A16	X14	2B16	X24	2A16	X34
1B15	X05	1A15	X15	2B15	X25	2A15	X35
1B14	X06	1A14	X16	2B14	X26	2A14	X36
1B13	X07	1A13	X17	2B13	X27	2A13	X37
1B12	X08	1A12	X18	2B12	X28	2A12	X38
1B11	X09	1A11	X19	2B11	X29	2A11	X39
1B10	X0A	1A10	X1A	2B10	X2A	2A10	X3A
1B09	X0B	1A09	X1B	2B09	X2B	2A09	X3B
1B08	X0C	1A08	X1C	2B08	X2C	2A08	X3C
1B07	X0D	1A07	X1D	2B07	X2D	2A07	X3D
1B06	X0E	1A06	X1E	2B06	X2E	2A06	X3E
1B05	X0F	1A05	X1F	2B05	X2F	2A05	X3F
1B04		1A04		2B04		2A04	
1B03	Szabad	1A03	Szabad	2B03	Szabad	2A03	Szabad
1B02	COM1	1A02	Szabad	2B02	COM2	2A02	Szabad
1B01	COM1	1A01	Szabad	2B01	COM2	2A01	Szabad

A kimeneti modulok csatlakoztatása

Modulok csatlakozókapszokkal (QY10, QY18, QY22, QY68A, QY40P, QY50, QY70, QY80)

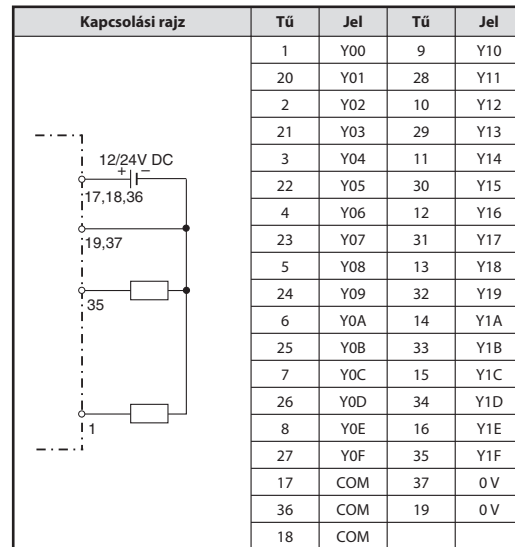
A levehető kapcsolóval rendelkező digitális kimeneti modulok esetén a kapcsolási rajz a modulra van nyomtatva. Kérjük, hogy huzalozásnál vegye figyelembe ezt a kapcsolási rajzot.

Rugós szorító sorkapcsú modulok (QY10-TS, QY40P-TS, QY80-TS)

- 1-16. kaptcs: Y00-Y0F
- 17. kaptcs: COM (QY10-TS), 12-24 V DC (QY40P-TS), COM/12-24 V DC (QY80-TS)
- 18. kaptcs: Szabad (QY10-TS), COM/0 V (QY40P-TS), 0 V (QY80-TS)

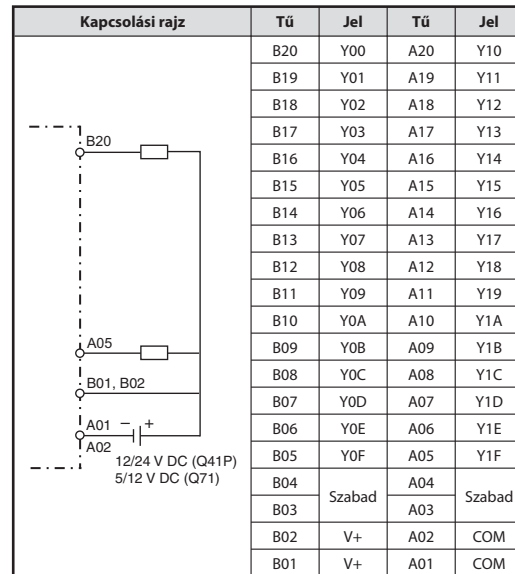
Modulok 37 tűs csatlakozóval

- QY81



Modulok 40 tűs csatlakozóval

- QY41P és QY71



- QY42 és QY82P

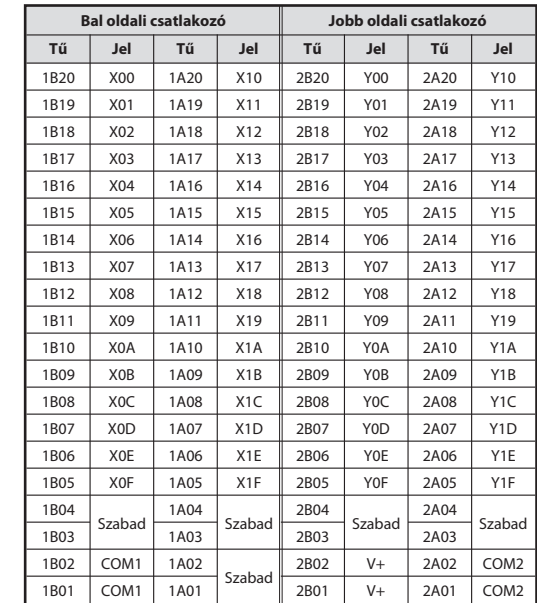


A kombinált I/O modulok csatlakoztatása

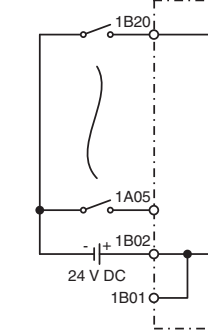
QX48Y57 modul (kapcsoló)

A QX48Y57 modulnál a kapcsolási rajz a modulra van nyomtatva. Kérjük, hogy huzalozásnál vegye figyelembe ezt a kapcsolási rajzot.

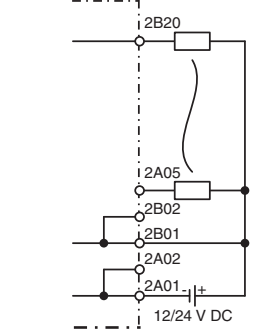
QH42P (Két 40 tűs csatlakozó)



A QH42P modul bemeneteinek csatlakoztatása



A QH42P modul kimeneteinek csatlakoztatása



MELSEC System Q

Programovatelné logické automaty

Návod k instalaci digitálních vstupních/výstupních modulů

Č. výt. 212595 CZ, Verze C, 19092011

Bezpečnostní pokyny

Pouze pro osoby s elektrotechnickou kvalifikací

Tento návod k instalaci je určen výhradně pro prokazatelně vyškolené pracovníky s elektrotechnickou kvalifikací, kteří jsou obeznámeni s bezpečnostními standardy v elektrotechnice a automatizační technice. Projektování, instalaci, uvádění do provozu, údržbu a kontroly přístrojů mohou provádět pouze prokazatelně vyškolení pracovníci s elektrotechnickou kvalifikací. Zásady do technického a programového vybavení našich výrobků, které nejsou popsány v tomto návodu nebo ostatních příručkách, mohou provádět pouze odborní pracovníci naší firmy.

Použití v souladu se stanoveným určením

Programovatelné automaty (PLC) systému MELSEC Q jsou určeny jen pro ty oblasti použití, které jsou popsány v tomto návodu k instalaci nebo v níže uvedených příručkách. Dodržujte všeobecné provozní podmínky uvedené v těchto příručkách. Popsané výrobky byly vyvinuty, vyrobeny, přezkoušeny a vybaveny dokumentací tak, aby vyhovely příslušným bezpečnostním normám. Nekvalifikované zásahy do technického nebo programového vybavení případně nedodržení varovných upozornění uvedených v této příručce nebo umístěných na přístroji může vést k těžkým škodám na zdraví osob a majetku. Ve spojení s programovatelnými automaty systému MELSEC Q se mohou používat pouze doplňkové a rozšiřující přístroje, které byly doporučeny firmou MITSUBISHI ELECTRIC. Jakákoliv jiná aplikace nebo využití jdoucí nad rámec nasazení popsaného v tomto návodu bude považováno za použití odporující stanovenému určení.

Předpisy vztahující se k bezpečnosti

Při projektování, instalaci, uvádění do provozu, údržbě a kontrole přístrojů je nezbytné dodržovat bezpečnostní předpisy a předpisy pro předcházení úrazům platné pro daný případ nasazení.

V tomto návodu k instalaci jsou obsažena upozornění, která jsou důležitá pro správné a bezpečné zacházení s tímto výrobkem. Jednotlivá upozornění mají následující význam:

NEBEZPEČÍ:

Varování před ohrožením uživatele Zanedbání uvedených preventivních opatření může vést k ohrožení života nebo zdraví uživatele.

VÝSTRAHA:

Varování před poškozením přístrojů Zanedbání uvedených preventivních opatření může vést k známým škodám na přístroji nebo na jiných věcných hodnotách.

Další informace

Následující příručky obsahují další informace o těchto přístrojích

- Popis technického vybavení systému MELSEC Q
- Návod k programování pro řadu MELSEC A/Q a systém MELSEC Q, č. zboží 87432

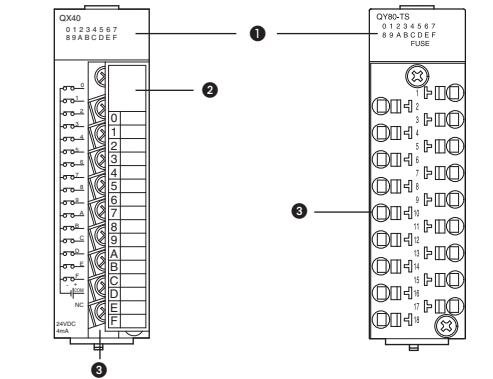
Obě příručky jsou bezplatně k dispozici na internetu (www.mitsubishi-automation-cz.com).

S vašimi dotazy k instalaci, programování a provozu automatů systému MELSEC Q se bez váhání obraťte na příslušné prodejní místo nebo na některého z vašich distributorů.

Obslužné prvky

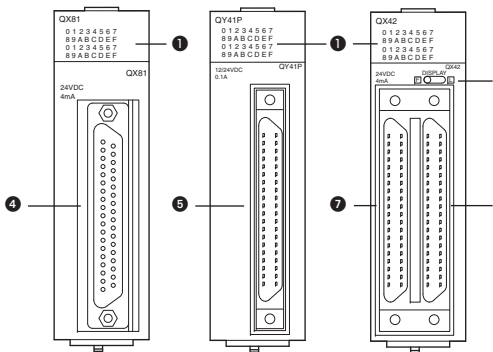
Moduly se šroubovými svorkami

Moduly s pérovými svorkami



Moduly s 37pólovou zásuvkou

Moduly s 40pólovým konektorovým připojením

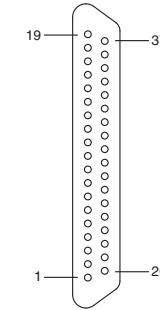


Č.	Popis	
1	Stavové kontrolky LED (pro každý vstup/výstup je k dispozici jedná červená LED, která indikuje stav příslušného vstup/výstupu, svítí = ZAP.)	
2	Kryt svorkovnice (odklápěcí)	
3	Odnímatelný svorkovnicový blok	
4	37pólová zásuvka typu D-Sub	
5	40pólová zásuvka	
6	Přepínač k přepnutí kontrolky LED u modulů s 64 vstupy příp. výstupy: <ul style="list-style-type: none"> ● Poloha F: Stavová indikace pro signály na zásuvce 1 (vstupy X00 až X1F příp. výstupy Y00 až Y1F) U QH42P: Stavová indikace pro vstupy X00 až X1F ● Poloha L: Stavová indikace pro signály na zásuvce 2 (vstupy X20 až X3F příp. výstupy Y20 až Y3F U QH42P: Stavová indikace pro výstupy Y00 až Y1F 	
7	40pólová zásuvka	Zásuvka 1
8	40pólová zásuvka	Zásuvka 2

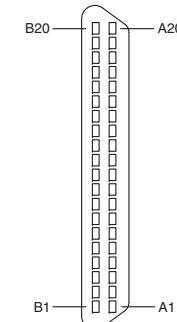
Uspořádání svorek konektorových připojení

Konektorová připojení jsou vyobrazena při pohledu na modul z přední strany.

37pólová zásuvka typu D-Sub



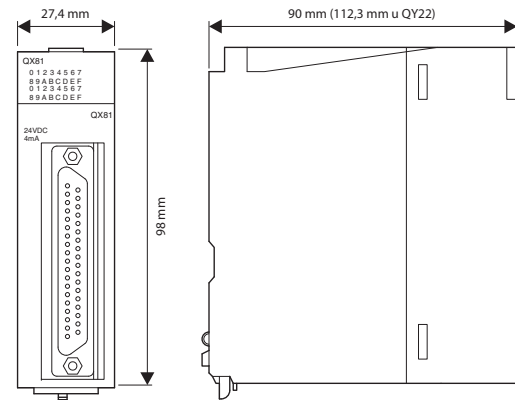
40pólová zásuvka



Všimněte si, že 40pólové připojení není zásuvka typu D-Sub. K připojení můžete použít vidlice A6CON-2, A6CON-3 nebo A6CON-4 nebo hotové sériové vyráběné kabely (viz odstavec Připojení).

Rozměry

S výjimkou výstupního modulu QY22 mají všechny digitální v/v moduly stejné rozměry.



Technické údaje

Všeobecné provozní podmínky

Parametr	Technické údaje	
Okolní teplota	provozní	0 až 55 °C
	skladovací	-25 až 75 °C
Relativní vlhkost při provozu	5 až 95 % (bez kondenzace)	
Vnější vlivy	bez agresivních nebo hořlavých plynů, pouze mírná prašnost	
Místo instalace	v rozvaděči	

Další všeobecné provozní podmínky jsou uvedeny v Popisu technického vybavení systému MELSEC Q.

Vstupní moduly AC (střídavé)

Technické údaje	QX10 QX10-TS	QX28	
Počet vstupů	16	8	
Galvanické oddělení	Optické vazební členy		
Jmenovité napětí	100–120 V AC 50/60 Hz	100–240 V AC 50/60 Hz	
Rozsah napětí	85–132 V	85–264 V	
Max. zapínací proud	200 mA po dobu 1 ms (při 132 Vst)	500 mA po dobu 1 ms (při 264 Vst)	
Jmenovitý vstupní proud	7 mA (100 V AC, 50 Hz) 8 mA (100 V AC, 60 Hz)	7 mA (100 V AC, 50 Hz) 8 mA (100 V AC, 60 Hz) 14 mA (200 V AC, 50 Hz) 17 mA (200 V AC, 60 Hz)	
Napětí/proud pro stav signálu "ZAP"	≥ 80 V AC/≥ 5 mA		
Napětí/proud pro stav signálu "VYP"	≤ 30 V AC/≤ 1,7 mA		
Vstupní odpor	15 kΩ (50 Hz) 12 kΩ (60 Hz)		
Doba odezvy	VYP → ZAP	≤ 15 ms	≤ 10 ms
	ZAP → VYP	≤ 20 ms	≤ 20 ms
Externí přívody	Svorky*	Šroubové svorky	
Počet skupin vstupů/vstupů v skupině	1/16	1/8	
Interní proudový odběr	50 mA	50 mA	
Hmotnost	0,17 kg	0,20 kg	

* QX10: Šroubové svorky
QX10-TS: Pérové svorky

Vstupní moduly DC (stejnoseměrné, 24 Vss)

Technické údaje	QX40 QX40-TS	QX40-S1	QX41	QX41-S1
Počet vstupů	16	16	32	32
Druh vysílače	Spinající mínus			
Galvanické oddělení	Optické vazební členy			
Jmenovité napětí	24 V DC			
Rozsah napětí	20,4 až 28,8 V DC			
Jmenovitý vstupní proud	4 mA	6 mA	4 mA	4 mA
Napětí/proud pro stav signálu "ZAP"	≥ 19 V/ ≥ 3 mA	≥ 19 V/ ≥ 4 mA	≥ 19 V/ ≥ 3 mA	≥ 19 V/ ≥ 4 mA
Napětí/proud pro stav signálu "VYP"	≤ 11 V/≤ 1,7 mA			≤ 9,5 V/ ≤ 1,5 mA
Vstupní odpor	5,6 kΩ	3,9 kΩ	5,6 kΩ	
Doba odezvy (nastavitelná)	VYP → ZAP 1/5/10/ 20/70 ms přednas- tavení: 10 ms	0,1/0,2/ 0,4/0,6/ 1,0 ms přednas- tavení: 0,2 ms	1/5/10/ 20/70 ms přednas- tavení: 10 ms	0,1/0,2/ 0,4/0,6/ 1,0 ms přednas- tavení: 0,2 ms
ZAP → VYP				
Externí přívozy	Svorky*	Šroubové svorky	jeden 40pólový konektor	
Počet skupin vstupů/ vstupů v skupině	1/16		1/32	
Interní proudový odběr	50 mA	60 mA	75 mA	
Hmotnost	0,16 kg	0,20 kg	0,15 kg	

* QX40: Šroubové svorky, QX40-TS: Pérové svorky

Technické údaje	QX42 QX82	QX42-S1 QX82-S1	QX80 QX80-TS	QX81
	Počet vstupů	64	64	16
Druh vysílače	QX42/QX42-S1: spinající mínus QX82/QX82-S1: spinající plus		Spinající plus	
Galvanické oddělení	Optické vazební členy			
Jmenovité napětí	24 V DC			
Rozsah napětí	20,4 až 28,8 V DC			
Jmenovitý vstupní proud	4 mA			
Napětí/proud pro stav signálu "ZAP"	≥ 19 V/≥ 3 mA			
Napětí/proud pro stav signálu "VYP"	≤ 11 V/ ≤ 1,7 mA	≤ 9,5 V/ ≤ 1,5 mA	≤ 11 V/ ≤ 1,7 mA	≤ 9,5 V/ ≤ 1,5 mA
Vstupní odpor	5,6 kΩ			
Doba odezvy (nastavitelná)	VYP → ZAP 1/5/10/ 20/70 ms přednas- tavení: 10 ms	0,1/0,2/ 0,4/0,6/ 1,0 ms přednas- tavení: 0,2 ms	1/5/10/20/70 ms přednastavení: 10 ms	
ZAP → VYP				
Externí přívozy	jeden 40pólový konektor		Odnímatelný svorkovnicový blok	Kompaktní konektor typu 37 D-Sub
Počet skupin vstupů/ vstupů v skupině	2/32		1/16	1/32
Interní proudový odběr	90 mA		50 mA	75 mA
Hmotnost	0,18 kg		0,16 kg	

* QX80: Šroubové svorky, QX80-TS: Pérové svorky

Vstupní moduly DC (stejnoseměrné, 5/12 Vss)

Technické údaje	QX70	QX71	QX72
Počet vstupů	16	32	64
Druh vysílače	Volitelně spinání kladného nebo záporného pólu		
Galvanické oddělení	Optické vazební členy		
Jmenovité napětí	5 V DC/12 V DC		
Rozsah napětí	4,25 až 6 V/10,2 až 14,4 V		
Jmenovitý vstupní proud	5 V DC: 1,2 mA/12 V DC: 3,3 mA		
Napětí/proud pro stav signálu "ZAP"	≥ 3,5 V/≥ 1 mA		≥ 3,5 V/ ≥ 3 mA
Napětí/proud pro stav signálu "VYP"	≤ 1 V/≤ 0,1 mA		
Vstupní odpor	3,3 kΩ		
Doba odezvy (nastavitelná)	VYP → ZAP ZAP → VYP	1/5/10/20/70 ms přednastavení: 10 ms	
Externí přívozy	Šroubové svorky	jeden 40pólový konektor	Dva 40pólové konektory
Počet skupin vstupů/ vstupů v skupině	1/16	1/32	2/32
Interní proudový odběr	55 mA	70 mA	85 mA
Hmotnost	0,14 kg	0,12 kg	0,13 kg

Vstupní modul DC/AC (48 V)

Technické údaje	QX50		
	DC vstup	AC vstup	
Počet vstupů	16		
Druh vysílače	volitelně spinání kladného nebo záporného pólu		
Galvanické oddělení	Optické vazební členy		
Jmenovité napětí	48 V DC	48 V AC	
Rozsah napětí	40,8 až 57,6 V DC	40,8 až 52,8 V	
Jmenovitý vstupní proud	asi 4 mA		
Napětí/proud pro stav signálu "ZAP"	≥ 28 V/≥ 2,5 mA		
Napětí/proud pro stav signálu "VYP"	≤ 10 V/≤ 1,0 mA		
Vstupní odpor	11,2 kΩ		
Doba odezvy	VYP → ZAP ZAP → VYP	≤ 5 ms ≤ 20 ms	≤ 15 ms ≤ 20 ms
Externí přívozy	Šroubové svorky		
Počet skupin vstupů/ vstupů v skupině	1/16		
Interní proudový odběr	50 mA		
Hmotnost	0,13 kg		

Reléové výstupní moduly

Technické údaje	QY10	QY10-TS	QY18A
Počet výstupů	16		8
Typ výstupu	Relé		
Galvanické oddělení	Relé		
Jmenovité spínací napětí/proud	24 Vss, 2 A (ohmická zátěž) na jeden výstup 240 Vst, 2 A (cos f = 1) na jeden výstup max. 8 A na skupinu (jen QY10 a QY10-TS)		
Min. spínaná zátěž	5 V DC, 1 mA		
Max. spínané napětí	125 V DC/264 V AC		
Max. spínací frekvence	3600 sepnutí/h		
Doba odezvy	VYP → ZAP ZAP → VYP	≤ 10 ms ≤ 12 ms	
Síťový filtr	—		
Externí přívozy	Šroubové svorky	Pérové svorky	Šroubové svorky
Počet skupin výstupů/ výstupů ve skupině	1/16		8/1 Všechny výstupy jsou nezávislé.
Interní proudový odběr	430 mA		
Hmotnost	0,22 kg		

Triakový výstupní modul

Technické údaje	QY22	
Počet výstupů	16	
Typ výstupu	Triak	
Galvanické oddělení	Optické vazební členy	
Jmenovité spínací napětí/proud	100 V až 240 V AC	
Max. proudová zatížitelnost	0,6 A na jeden výstup, 4,8 A na modul	
Rozsah napětí	85 až 288 V AC	
Max. zapínací proud	20 A	
Max. pokles napětí při zapnutí	≤ 1,5 V	
Min. spínaná zátěž	24 V AC (100 mA) 100 V AC (25 mA) 240 V AC (25 mA)	
Svodový proud při vypnutém výstupu	≤ 1,5 mA (120 V, 60 Hz) ≤ 3 mA (240 V, 60 Hz)	
Doba odezvy	VYP → ZAP ZAP → VYP	0,5 x doba periody + max. 1 ms
Síťový filtr	RC člen	
Pojistka	—	
Externí přívozy	Šroubové svorky	
Počet skupin výstupů / výstupů ve skupině	1/16	
Interní proudový odběr	250 mA	
Hmotnost	0,40 kg	

Tranzistorové výstupní moduly

Technické údaje	QY40P	QY40P-TS	QY41P	QY42P
Počet výstupů	16	16	32	64
Typ výstupu	Tranzistor (spinající záporný pól)			
Galvanické oddělení	Optické vazební členy			
Jmenovité spínací napětí/proud	12 V až 24 V DC			
Jmenovitý výstupní proud	0,1 A/výstup, 1,6 A/ skupina		0,1 A/výstup, 2 A/skupina	
Rozsah napětí	10,2 až 28,8 V DC			
Max. zapínací proud	0,7 A, ≤ 10 ms			
Max. pokles napětí při zapnutí	0,2 V/0,1 A			
Svodový proud při vypnutém výstupu	≤ 0,1 mA			
Doba odezvy	VYP → ZAP ZAP → VYP	≤ 1 ms		
Síťový filtr	Z-dioda			
Pojistka	—			
Externí přívozy	Šroubové svorky	Pérové svorky	Jeden 40-pólový konektor	Dva 40-pólové konektory
Počet skupin výstupů/ výstupů ve skupině	1/16		1/32	2/32
Externí napájení modulu	Napětí Proud	12 až 24 V DC		
		10 mA (24 V)	20 mA (24 V)	20 mA (24 V)
Interní proudový odběr	65 mA		105 mA	150 mA
Hmotnost	0,16 kg		0,15 kg	0,17 kg

Technické údaje	QY50	QY68A
Počet výstupů	16	8
Typ výstupu	Tranzistor (spinající záporný pól)	Tranzistor (spinající kladný/záporný pól)
Galvanické oddělení	Optické vazební členy	
Jmenovité spínací napětí/proud	12 V až 24 V DC	5 V až 24 V DC
Jmenovitý výstupní proud	0,5 A/výstup, 4 A/modul	2 A/výstup, 8 A/modul
Rozsah napětí	10,2 až 28,8 V DC	4,5 až 28,8 V DC
Max. zapínací proud	4 A, ≤ 10 ms	8 A, ≤ 10 ms
Max. pokles napětí při zapnutí	0,3 V/0,5 A	0,3 V/2 A
Svodový proud při vypnutém výstupu	≤ 0,1 mA	
Doba odezvy	VYP → ZAP ZAP → VYP	≤ 1 ms ≤ 10 ms
Síťový filtr	Z-dioda	
Pojistka	6,7 A	—
Externí přívozy	Šroubové svorky	
Počet skupin výstupů/ výstupů ve skupině	1/16	8/1 (Všechny výstupy jsou nezávislé.)
Externí napájení modulu	Napětí Proud	12 až 24 V DC 20 mA (24 V)
Interní proudový odběr	80 mA	
Hmotnost	0,17 kg	0,14 kg

Tranzistorové výstupní moduly

Technické údaje		QY70	QY71
Počet výstupů		16	32
Typ výstupu	Tranzistor (spínací záporný pól)		
Galvanické oddělení	Optické vazební členy		
Jmenovité spínací napětí/proud	5 V DC 12 V DC		
Jmenovitý výstupní proud	16 mA/výstup, 256 mA/modul	16 mA/výstup, 512 mA/modul	
Rozsah napětí	4,5 až 6,5 V DC 10,8 až 15 V DC		
Max. zapínací proud	40 mA, ≤ 10 ms		
Max. pokles napětí při zapnutí	0,3 V DC		
Svodový proud při vypnutém výstupu	—		
Doba odezvy	VYP → ZAP ZAP → VYP	≤ 0,5 ms	
Síťový filtr	—		
Pojistka	1,6 A		
Externí přívody	Šroubové svorky	Jeden 40pólový konektor	
Počet skupin výstupů/výstupů ve skupině	1/16	1/32	
Externí napájení modulu	Napětí	5/12 V DC	
	Proud	90 mA (12 V)	170 mA (24 V)
Interní proudový odběr	95 mA	150 mA	
Hmotnost	0,14 kg		

Technické údaje		QY80 QY80-TS	QY81P	QY82P
Počet výstupů		16	32	64
Typ výstupu	Tranzistor (spínací plus)			
Galvanické oddělení	Optické vazební členy			
Jmenovité spínací napětí/proud	12 V až 24 V DC			
Jmenovitý výstupní proud	0,5 A/výstup, 4 A/modul	0,1 A/výstup, 2 A/modul		
Rozsah napětí	10,2 až 28,8 V DC			
Max. zapínací proud	4 A, ≤ 10 ms	0,7 A, ≤ 10 ms		
Max. pokles napětí při zapnutí	0,3 V/0,5 A	0,2 V/0,1 A		
Svodový proud při vypnutém výstupu	≤ 0,1 mA			
Doba odezvy	VYP → ZAP ZAP → VYP	≤ 1 ms		
Síťový filtr	Z-dioda			
Pojistka	6,7 A	—		
Externí přívody	Svorky *	Kompaktní konektor typu 37 D-Sub	Dva 40pólové konektory	
Počet skupin výstupů/výstupů ve skupině	1/16	1/32	2/32	
Externí napájení modulu	Napětí	12 až 24 V DC		
	Proud	20 mA (24 V)	40 mA (24 V)	
Interní proudový odběr	80 mA	95 mA	160 mA	
Hmotnost	0,17 kg	0,15 kg	0,17 kg	


* QY80: Šroubové svorky; QY80-TS: Pérové svorky

Kombinované vstupní/výstupní moduly


Technické údaje		QH42P	QX48Y57
Počet vstupů		32	8
Galvanické oddělení	Optické vazební členy		
Jmenovité napětí	24 V DC		
Rozsah napětí	20,4 až 28,8 V DC		
Jmenovitý vstupní proud	asi 4 mA		
Napětí/proud pro stav signálu "ZAP"	≥ 19V DC/≥ 3 mA		
Napětí/proud pro stav signálu "VYP"	≤ 11 V DC/≤ 1,7 mA		
Vstupní odpor	asi 5,6 kΩ		
Doba odezvy (nastavitelná)	VYP → ZAP ZAP → VYP	1/5/10/20/70 ms, přednastavení: 10 ms	
Počet skupin vstupů/vstupů ve skupině	1/32	1/8	
Počet výstupů	32	7	
Typ výstupu	Tranzistor (spínací záporný pól)		
Galvanické oddělení	Optické vazební členy		
Jmenovité spínací napětí/proud	12 až 24 V DC		
Jmenovitý výstupní proud	0,1 A/výstup, 2 A/modul	0,5 A/výstup, 2 A/modul	
Max. zapínací proud	0,7 A ≤ 10 ms	4 A ≤ 10 ms	
Max. pokles napětí při zapnutí	0,2 V/0,1 A	0,1 V/0,5 A	
Svodový proud při vypnutém výstupu	≤ 0,1 mA		
Doba odezvy	VYP → ZAP ZAP → VYP	≤ 1 ms	
Síťový filtr	Z-dioda		
Pojistka	—		
Externí přívody	Dva 40pólové konektory	Šroubové svorky	
Počet skupin výstupů/výstupů ve skupině	1/32	1/7	
Externí napájení modulu	Napětí	12 až 24 V DC	
	Proud	15 mA (24 V)	10 mA (24 V)
Interní proudový odběr	130 mA	80 mA	
Hmotnost	0,20 kg	0,20 kg	

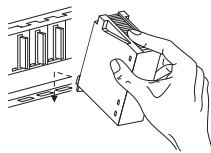
Instalace

NEBEZPEČÍ	
	
<p>Před instalací a připojováním kabelů vypněte napájecí napětí pro PLC a ostatní externí napětí.</p>	

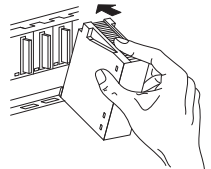
VÝSTRAHA	
	
<p>● Zařízení provozujte pouze v prostředí, které vyhovuje podmínkám uvedeným v popisu technického vybavení systému MELSEC Q. Jednotky nesmí být vystaveny prachu, olejové mlze, leptavým a hořlavým plynům, silným vibracím nebo rázům, vysokým teplotám a kondenzačním účinkům nebo vlhkosti.</p>	
<p>● Při montáži dávejte pozor na to, aby se do modulu nedostaly přes větrací štěrbinu třísky z vrtání nebo zbytky drátů, které by mohly později způsobit zkrat. K uzavření větracích štěrbin použijte dodávaný kryt. Po ukončení všech instalačních prací kryt opět sejměte, aby při provozu nedošlo k přehřátí automatu.</p>	
<p>● Vodiče musí být připojené k modulům takovým způsobem, aby svorkovnice nebo konektory nebyly vystaveny přílišnému mechanickému namáhání.</p>	

Montáž modulů na sběrnicový nosič zásuvných modulů

VÝSTRAHA	
	
<p>● Neotevírejte kryt modulu. Neprovádějte změny na modulu. Při těchto činnostech by mohly vzniknout poruchy a/nebo požár a zároveň dojít k poranění.</p>	
<p>● Pokud není modul správně nasazen do vodičící vybrání na nosiči zásuvných modulů, pak může dojít k ohnutí kolíků na konektoru modulu.</p>	
<p>● Nedotýkejte se žádných vodivých dílů nebo elektronických komponent modulů. Mohlo by to vést k poruchám nebo poškození modulů.</p>	




- ① Po vypnutí síťového napětí nasadte modul spodní západkou do vodičící vybrání nosiče modulů.



- ② Pak modul přitlačte k sběrnicovému nosiči zásuvných modulů tak, aby přilehl celou plochou na nosič.

- ③ Pokud pracujete v prostředí s výskytem vibrací, zajistěte modul dodatečně jedním šroubkem (M3 x 12). Tento šroubek není obsahem dodávky modulu.

Připojení

NEBEZPEČÍ	
	
<p>● Před instalací a připojováním kabelů vypněte napájecí napětí pro PLC a ostatní externí napětí.</p>	
<p>● Před zapnutím napětí zakryjte svorky na modulu.</p>	
<p>● Závada na výstupním modulu může způsobit, že ovládání (zapínání nebo vypínání) některého výstupu nebude pracovat správně. Zajistěte proto pro výstupy, u kterých by tím mohlo dojít k nebezpečné události, externí monitorovací zařízení.</p>	

K propojování používejte vodiče s průřezem 0,3 až 0,75 mm². Odizolované dráty musí být opatřeny koncovkami a chráněny izolačními převlečkami před dotykem.

Připojovací kabel

Pro připojení k 37pólové zásuvce D-Sub (QX81 a QY81P) jsou k dispozici hotové připojovací kabely Q32CBL-3M a Q32CBL-5M.

Pro připojení k 40pólové zásuvce (QX41, QX42, QX71, QX72, QY41P, QY42P, QY71 a QH42P) můžete použít hotové připojovací kabely Q40CBL-3M a Q40CBL-5M.

K eliminaci vlivu síťových zdrojů a jiných zdrojů rušení dodržujte následující pokyny:

- Nepokládejte stejnosměrná vedení do bezprostřední blízkosti střídavých kabelů.
- Vedení, která vedou vysoká napětí nebo proudy, musí být položena odděleně od ovládacích a datových vodičů. Minimální odstup mezi těmito vodiči činí 100 mm.
- Vedení k vstupům/výstupům mohou dosahovat délky maximálně 100 m. K spolehlivé ochraně před rušivými vlivy je však nutné omezit délku vedení na 20 m. Počítejte také s úbytkem napětí na vedení.

Připojení vstupních modulů

Moduly se šroubovými svorkami

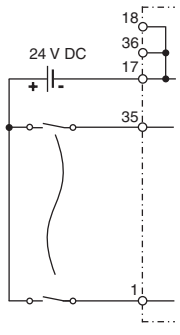
(QX10, QX28, QX40, QX40-S1, QX50, QX70, QX80)

U digitálních vstupních modulů s odnímatelným svorkovnicovým blokem je zapojení svorek vytyčeno na modulu. Dodržujte toto obsazení svorek při zapojování.

Moduly s pérovými svorkami (QX10-TS, QX40-TS, QX80-TS)

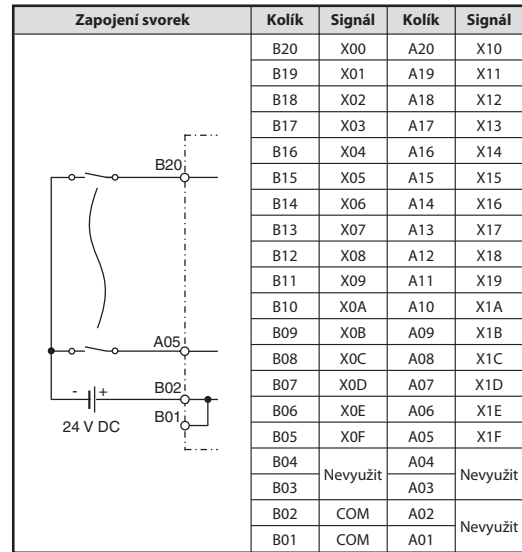
Svorky 1 až 16: X00 až X0F
Svorka 17: COM (QX10-TS, QX40-TS), nezapojená (QX80-TS)
Svorka 18: Nezapojená (QX10-TS, QX40-TS), COM (QX80-TS)

Modul QX81 s 37pólovou zásuvkou D-Sub

Zapojení svorek	Kolík	Signál	Kolík	Signál
	1	X00	9	X10
	20	X01	28	X11
	2	X02	10	X12
	21	X03	29	X13
	3	X04	11	X14
	22	X05	30	X15
	4	X06	12	X16
	23	X07	31	X17
	5	X08	13	X18
	24	X09	32	X19
	6	X0A	14	X1A
	25	X0B	33	X1B
	7	X0C	15	X1C
	26	X0D	34	X1D
	8	X0E	16	X1E
	27	X0F	35	X1F
	17	COM	37	Nevyužit
	36	COM	19	
18	COM			

Moduly s 40pólovým konektorovým připojením

● QX41, QX41-S1



● QX42, QX42-S1, QX71, QX82, QX82-S1

U QX42/QX42-S1 se společně svorky COM spojují s kladným pólem spínaného napětí a u QX82/QX82-S1 se záporným pólem spínaného externího napětí.

Levý přípojovací konektor				Pravý přípojovací konektor			
Pin	Signál	Pin	Signál	Pin	Signál	Pin	Signál
1B20	X00	1A20	X10	2B20	X20	2A20	X30
1B19	X01	1A19	X11	2B19	X21	2A19	X31
1B18	X02	1A18	X12	2B18	X22	2A18	X32
1B17	X03	1A17	X13	2B17	X23	2A17	X33
1B16	X04	1A16	X14	2B16	X24	2A16	X34
1B15	X05	1A15	X15	2B15	X25	2A15	X35
1B14	X06	1A14	X16	2B14	X26	2A14	X36
1B13	X07	1A13	X17	2B13	X27	2A13	X37
1B12	X08	1A12	X18	2B12	X28	2A12	X38
1B11	X09	1A11	X19	2B11	X29	2A11	X39
1B10	X0A	1A10	X1A	2B10	X2A	2A10	X3A
1B09	X0B	1A09	X1B	2B09	X2B	2A09	X3B
1B08	X0C	1A08	X1C	2B08	X2C	2A08	X3C
1B07	X0D	1A07	X1D	2B07	X2D	2A07	X3D
1B06	X0E	1A06	X1E	2B06	X2E	2A06	X3E
1B05	X0F	1A05	X1F	2B05	X2F	2A05	X3F
1B04	Ne- využit	1A04	Ne- využit	2B04	Ne- využit	2A04	Ne- využit
1B03	COM1	1A03	Ne- využit	2B03	COM2	2A03	Ne- využit
1B02	COM1	1A02	Ne- využit	2B02	COM2	2A02	Ne- využit
1B01	COM1	1A01	Ne- využit	2B01	COM2	2A01	Ne- využit

Připojení výstupních modulů

Moduly s přípojovacími svorkami (QY10, QY18, QY22, QY68A, QY40P, QY50, QY70, QY80)

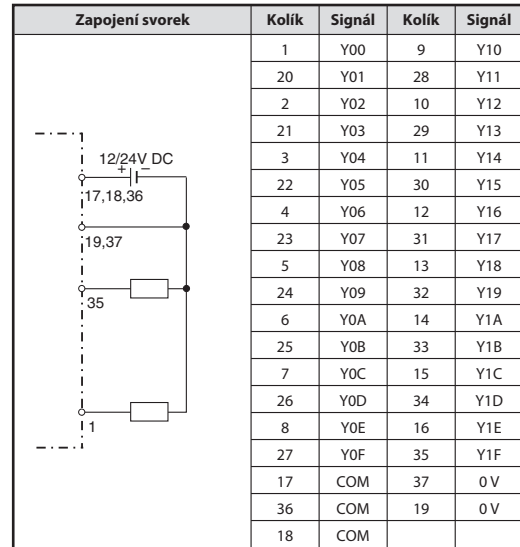
U digitálních výstupních modulů s odnímatelným svorkovnicovým blokem je zapojení svorek vytištěno na modulu. Dodržujte toto obsazení svorek při zapojování.

Moduly s pérovými svorkami (QY10-TS, QY40P-TS, QY80-TS)

Svorky 1 až 16: Y00 až Y0F
 Svorka 17: COM (QX10-TS, QX40-TS), nezapojená (QX80-TS)
 Svorka 18: Nezapojená (QY10-TS), COM/0 V (QY40P-TS), 0 V (QY80-TS)

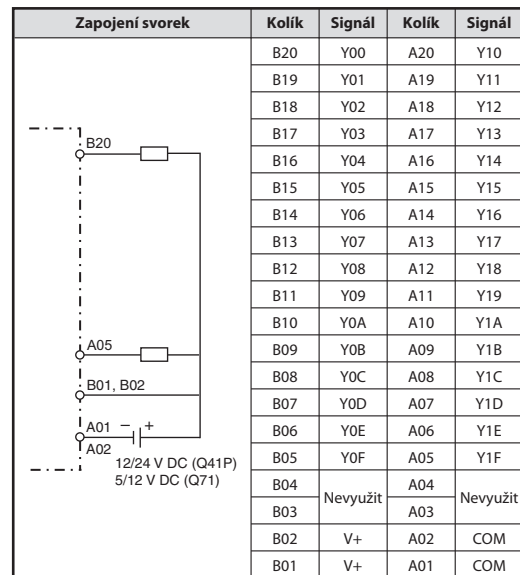
Moduly s 37pólovou zásuvkou

● QY81

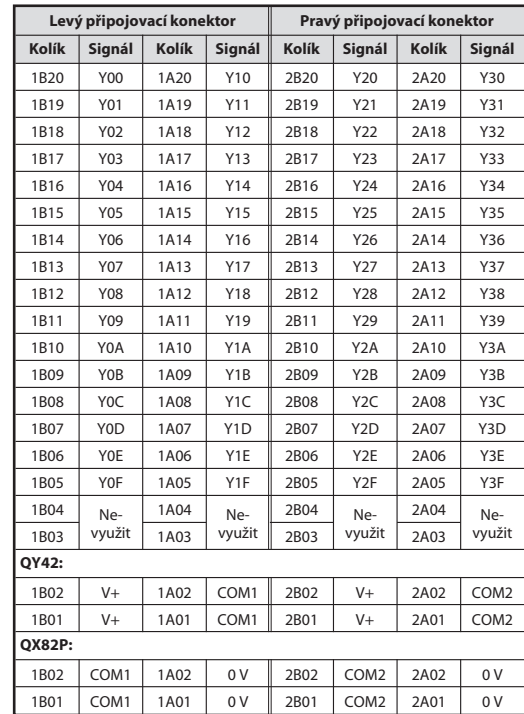


Moduly s 40pólovým konektorovým připojením

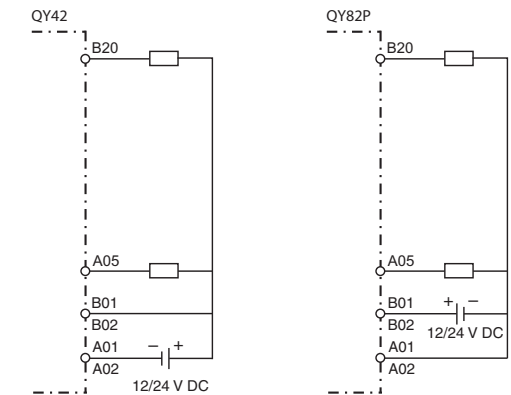
● QY41P a QY71



● QY42 a QY82P



Zapojení svorek



Připojení kombinovaných vstupních/výstupních modulů

QX48Y57 (šroubové svorky)

U modulu QX48Y57 je zapojení svorek vytištěno na modulu. Dodržujte toto obsazení svorek při zapojování.

QH42P (dva 40pólové konektory)



Připojení vstupů modulu QH42P

Připojení výstupů modulu QH42P

