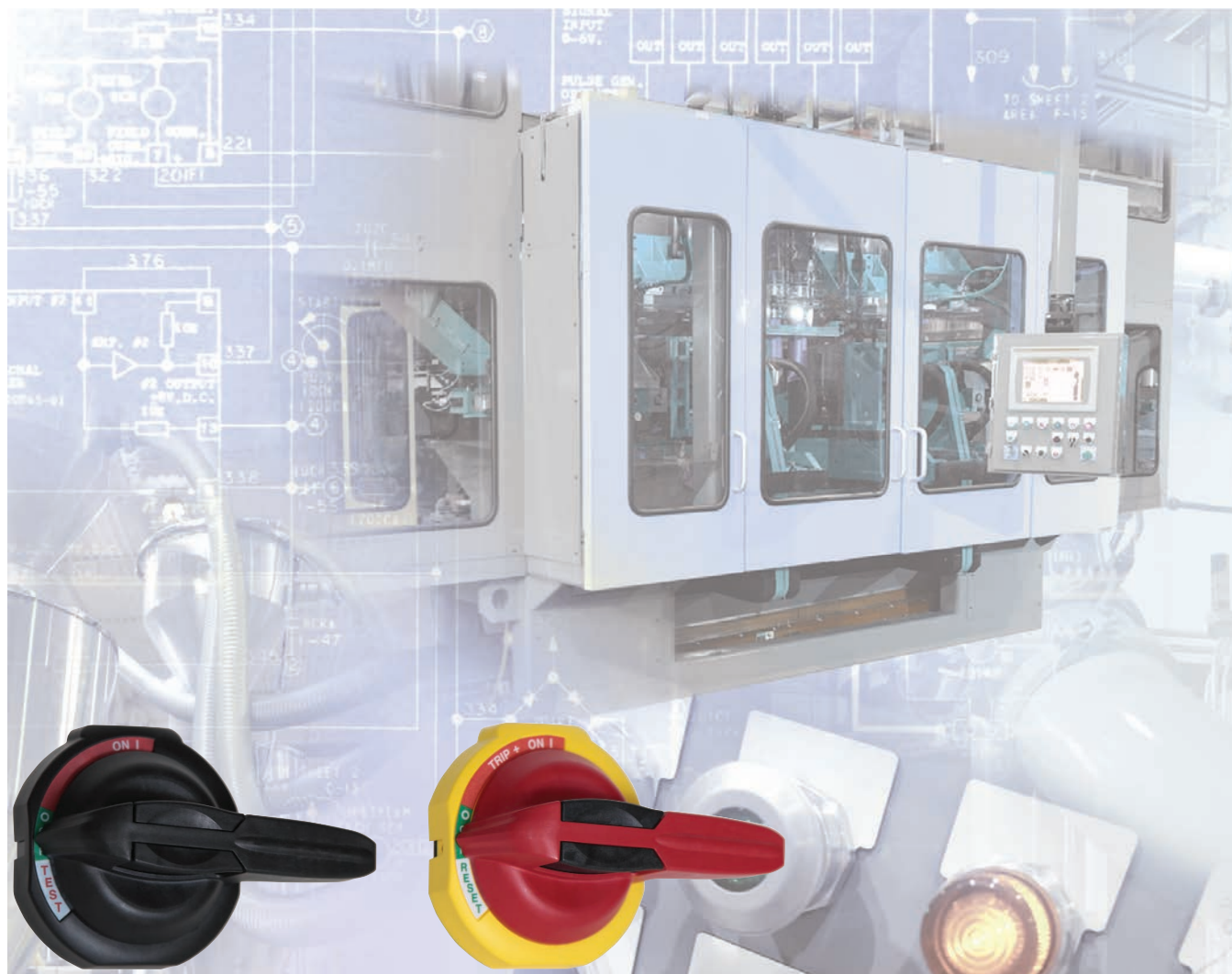



# Bulletin 194R/140U External Operating Handles






LISTEN.  
THINK.  
SOLVE.™



	<p><b>Bulletin 194R/140U Next Generation Disconnect Handles</b></p> <ul style="list-style-type: none"> <li>• Available in matte black for ON-OFF switching and red/yellow for Emergency OFF requirements</li> <li>• One-hand operation to open the door</li> <li>• Operating handle environmental ratings:                     <ul style="list-style-type: none"> <li>- Type 3R, 3, 12, 4, 4X</li> </ul> </li> <li>• Handle with or without test mode; Trip indication on Bul 140U handle</li> <li>• Padlockable handle for up to three padlocks</li> <li>• Defeater mechanism</li> <li>• NFPA 79 internal operating handle with shaft (option)</li> <li>• Option for either vertical or 45° mount holes</li> </ul> <p>Bulletin 194R/140U Next Generation Disconnect Handles have been redesigned with a unique form and contemporary styling to improve both comfort and performance in the field. These handles are designed to be used with Bulletin 194R fused and non-fused disconnect switches up to 60 A, Bulletin 140U/UE Molded Case Circuit Breakers, Bulletin 140M Motor Protection Circuit Breakers, and Bulletin 140M Motor Circuit Protectors.</p>	<p><b>Table of Contents</b></p> <p>Product Selection ..... this page</p> <p>Specifications..... 4</p> <p>Approximate Dimensions..... 5</p> <p><b>Standards Compliance</b></p> <p>IEC/EN 60947-3              UL 98              UL 489              UL 508              CSA, C22.2 Nos. 4, 5, 14              VDE 0660</p> <p><b>Certifications</b></p> <p>CE Marked              cULus Recognized (File No. E3125 Vol 2)</p>
---	--	---

**Product Selection**  
**Operating Handles (Accepts 3 Padlocks)**

	Description	Shaft Type	For Use With	Color	Environmental Rating	Cat. No.
	Padlockable handle, standard	194R-S, 194R-N operating shafts	Bul. 194R disconnect switches up to 60 A	Black	Type 3R, 3, 12, 4, 4X	<b>194R-PB</b>
				Red/Yellow	Type 3R, 3, 12, 4, 4X	<b>194R-PY</b>
	Padlockable handle, test mode			Black	Type 3R, 3, 12, 4, 4X	<b>194R-PBT</b>
				Red/Yellow	Type 3R, 3, 12, 4, 4X	<b>194R-PYT</b>
	Padlockable handle, standard, with trip indication		Black	Bul. 140U/UE Molded Case Circuit Breakers, 140M Motor Protection Circuit Breakers & Motor Circuit Protectors; 100, 125, and 250A devices	Type 3R, 3, 12, 4, 4X	<b>140U-PB</b>
			Red/Yellow	Type 3R, 3, 12, 4, 4X	<b>140U-PY</b>	

**OSHA Lockout/Tag Out Compliance (LOTO)**

OSHA CFR36 Section 1910 mandates that disconnects be able to be locked out while in the OFF position during servicing. All Bulletin 194R/140U handles comply with this important safety requirement.





*(Please see NFPA Article 430 for disconnect requirements of motor applications)*

## External Operating Handles

### Product Selection/Specifications

#### Operating Shafts

	Description	For Use With	Operating Shaft Length	Cat. No.
	Extension shaft	140U-P*, 194R-P*, and 194R-P*T handles	12 in. (30.48 cm)	<b>194R-S1</b>
			21 in. (53.34 cm)	<b>194R-S2</b>
	NFPA 79 internal operating handle with shaft		12 in. (30.48 cm)	<b>194R-N1</b>
			21 in. (53.34 cm)	<b>194R-N2</b>

#### Bulletin 140U

To order the components for a handle kit, select the rated current of the protective device and then one of each of the following: rotary operator, handle, and shaft.

Bulletin 140U/UE/M Frame Size	Rotary Operator	Handle		Operating Shaft§	
	Cat. No.	Color	Cat. No.	Length	Cat. No.
G	<b>140U-G-RMX</b>	Black	<b>140U-PB</b>	12 in. (30.48 cm)	<b>194R-S1</b>
				21 in. (53.34 cm)	<b>194R-S2</b>
		Red/Yellow	<b>140U-PY</b>	12 in. (30.48 cm)	<b>194R-S1</b>
				21 in. (53.34 cm)	<b>194R-S2</b>
H	<b>140U-H-RMX</b>	Black	<b>140U-PB</b>	12 in. (30.48 cm)	<b>194R-S1</b>
				21 in. (53.34 cm)	<b>194R-S2</b>
		Red/Yellow	<b>140U-PY</b>	12 in. (30.48 cm)	<b>194R-S1</b>
				21 in. (53.34 cm)	<b>194R-S2</b>
J	<b>140U-J-RMX</b>	Black	<b>140U-PB</b>	12 in. (30.48 cm)	<b>194R-S1</b>
				21 in. (53.34 cm)	<b>194R-S2</b>
		Red/Yellow	<b>140U-PY</b>	12 in. (30.48 cm)	<b>194R-S1</b>
				21 in. (53.34 cm)	<b>194R-S2</b>

§ If NFPA 79 operator is required, replace Cat. No. 194R-S1 with Cat. No. **194R-N1** or Cat. No. 194R-S2 with Cat. No. **194R-N2**.

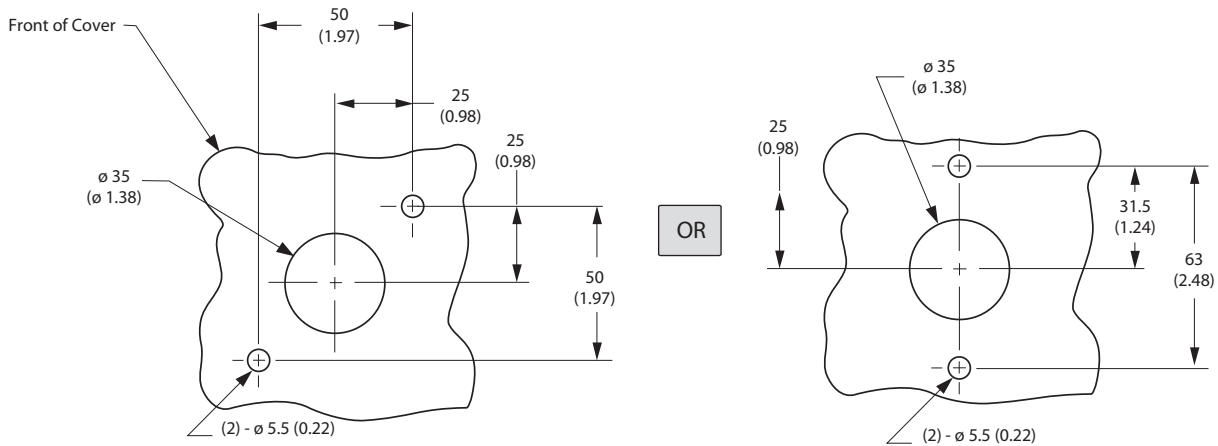
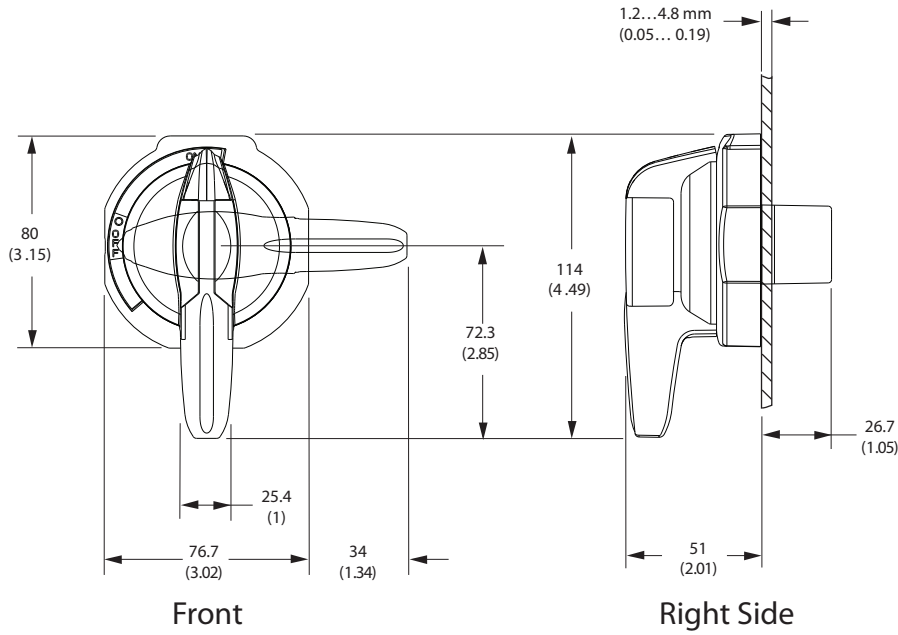
#### Specifications

Specifications	
Standards Compliance	IEC/EN 60947-3; UL 98; UL 489; UL 508; CSA, C22.2 Nos. 4, 5, 14; VDE 0660
Certifications	CE Marked, cULus Recognized (File No. E3125 Vol 2)
Environmental Ratings	Type 3R, 3, 12, 4, 4X
Shaft Diameter	6 mm (1/4 in.) square
Screwdriver	6 mm (1/4 in.) flathead; T-20
Recommended torque	2.8 N•m (25 lb•in.)

**Approximate Dimensions**

Dimensions in millimeters (inches). Dimensions are not intended to be used for manufacturing purposes.

**Operating Handles**



Allen-Bradley, Rockwell Software, Rockwell Automation, and LISTEN. THINK. SOLVE are trademarks of Rockwell Automation, Inc.  
Trademarks not belonging to Rockwell Automation are property of their respective companies.

**[www.rockwellautomation.com](http://www.rockwellautomation.com)**

---

**Power, Control and Information Solutions Headquarters**

Americas: Rockwell Automation, 1201 South Second Street, Milwaukee, WI 53204-2496 USA, Tel: (1) 414.382.2000, Fax: (1) 414.382.4444

Europe/Middle East/Africa: Rockwell Automation NV, Pegasus Park, De Kleetlaan 12a, 1831 Diegem, Belgium, Tel: (32) 2 663 0600, Fax: (32) 2 663 0640

Asia Pacific: Rockwell Automation, Level 14, Core F, Cyberport 3, 100 Cyberport Road, Hong Kong, Tel: (852) 2887 4788, Fax: (852) 2508 1846