

Bulletin 1608P ProDySC Dynamic Voltage Sag Corrector

Catalog Numbers 1608P - 25 and 50 Amp Models



Important User Information

Solid-state equipment has operational characteristics differing from those of electromechanical equipment. Safety Guidelines for the Application, Installation and Maintenance of Solid State Controls (publication [SGI-1.1](#) available from your local Rockwell Automation sales office or online at <http://www.rockwellautomation.com/literature/>) describes some important differences between solid-state equipment and hard-wired electromechanical devices. Because of this difference, and also because of the wide variety of uses for solid-state equipment, all persons responsible for applying this equipment must satisfy themselves that each intended application of this equipment is acceptable.

In no event will Rockwell Automation, Inc. be responsible or liable for indirect or consequential damages resulting from the use or application of this equipment.

The examples and diagrams in this manual are included solely for illustrative purposes. Because of the many variables and requirements associated with any particular installation, Rockwell Automation, Inc. cannot assume responsibility or liability for actual use based on the examples and diagrams.

No patent liability is assumed by Rockwell Automation, Inc. with respect to use of information, circuits, equipment, or software described in this manual.

Reproduction of the contents of this manual, in whole or in part, without written permission of Rockwell Automation, Inc., is prohibited.

Throughout this manual, when necessary, we use notes to make you aware of safety considerations.



WARNING: Identifies information about practices or circumstances that can cause an explosion in a hazardous environment, which may lead to personal injury or death, property damage, or economic loss.



ATTENTION: Identifies information about practices or circumstances that can lead to personal injury or death, property damage, or economic loss. Attentions help you identify a hazard, avoid a hazard, and recognize the consequence.



SHOCK HAZARD: Labels may be on or inside the equipment, for example, a drive or motor, to alert people that dangerous voltage may be present.



BURN HAZARD: Labels may be on or inside the equipment, for example, a drive or motor, to alert people that surfaces may reach dangerous temperatures.

IMPORTANT

Identifies information that is critical for successful application and understanding of the product.

ProDySC, Allen-Bradley, Rockwell Software, Rockwell Automation, and TechConnect are trademarks of Rockwell Automation, Inc. Trademarks not belonging to Rockwell Automation are property of their respective companies.

Additional Resources

These documents contain additional information concerning related products from Rockwell Automation.

Resource	Description
Industrial Automation Wiring and Grounding Guidelines, publication 1770-4.1	Provides general guidelines for installing a Rockwell Automation industrial system.
Product Certifications website, http://www.ab.com	Provides declarations of conformity, certificates, and other certification details.

You can view or download publications at <http://www.rockwellautomation.com/literature/>. To order paper copies of technical documentation, contact your local Allen-Bradley distributor or Rockwell Automation sales representative.

	Important User Information	2
	Additional Resources	2
Ch 1 - Introduction	Safety Considerations	5
Ch 2 - Installation	Installation Check List	7
	Inspecting and Unpacking	7
	Location (Environment)	7
	Mounting Considerations	7
	Mounting the ProDySC	8
	Bypass Switch	10
	Bypass Switch Modes	10
	Bypass Switch Wiring Diagram	11
	Circuit Breaker Recommendations	11
	Accessing ProDySC Terminations	11
	ProDySC Terminations and Ratings	12
	Input:	12
	Output:	12
Ch 3 - Communications	Dry Contacts	15
	Serial Communications Port	16
Ch 4 - Applying Power		
Ch 5 - Display Screen	Overview	19
	Home Screen	21
	System Status	21
	Voltage Sag Events	22
	Voltage Sag Log	22
	Voltage Sag Detail	23
	Voltage Sag RMS Voltage Charts	24
	Voltage Sag Notification	24
	System Events	25
	System Event Log	25
	System Event Detail	26
	System Event Notification	27
	System Configuration	28
	Model Information	28
	Run System Tests	29
	Diagnostics Mode	29
Ch 6 - Maintenance	Preventative Maintenance	31
	Monthly Checks	31
	3-6 Month Checks	31
	System Event	32
	Fuse Replacement	33
	Fuse Rating Charts	34
Ch 7 - Specifications and Dimensions	Technical Specifications	35
	Heat Dissipation	36
	Approximate Dimensions	36

Notes:

Introduction

The Allen-Bradley Bulletin 1608P ProDySC Dynamic Sag Corrector is engineered to provide years of trouble-free voltage sag (dip) protection. The patented ProDySC technology does not use batteries, requires only routine maintenance, includes three-stage transient voltage surge suppression, and has unparalleled energy efficiency. Most electronic devices found in industry today are susceptible to power disturbances. A momentary sag in line voltage can reset or damage sensitive production equipment. The ProDySC provides instantaneous dynamic sag correction to help your equipment ride through these common events. The ProDySC connects normal utility power directly to the load until a voltage sag occurs. During a sag, the ProDySC inverter is activated—adding missing voltage to keep the load voltage within the normal range. When utility power returns to normal, the inverter is deactivated and the ProDySC is quickly ready to correct the next sag.

The ProDySC reports these voltage sag events through its integrated touch screen display and provides system status, voltage sag notification and history, runtime statistics and system history in a simple and intuitive touch-based user interface.

Safety Considerations

The ProDySC is designed to operate in industrial applications. Follow these guidelines to ensure that the safety and installation of the ProDySC are handled with appropriate care.



SHOCK HAZARD: The ProDySC has high voltage remaining up to 5 minutes after disconnection from the AC line. Touching exposed or disconnected terminals, cables or parts of the ProDySC can lead to serious injuries or even death. Wait for a minimum of 5 minutes before performing any service or testing on the ProDySC after power is removed.

Keep the cabinet doors closed to ensure proper cooling airflow and to protect personnel from dangerous voltages inside the ProDySC.



ATTENTION: - To reduce the risk of fire or electric shock, install this ProDySC in a temperature and humidity controlled, indoor environment, free of conductive contaminants.

- Avoid installing the ProDySC directly near heat-emitting equipment such as ovens, heaters, or furnaces.
- Ambient temperature must not exceed 40°C (104°F).
- Do not operate near water or excessive humidity (95% max).
- When punching or drilling holes for conduit fittings, take care to avoid dropping metallic particles inside the enclosure as this can result in electrical damage.
- The system is not intended for outdoor use.
- The operating environment should be maintained within the parameters stated in this manual.
- Only authorized service personnel should perform service on the ProDySC.
- Ensure all power is disconnected before performing installation or service.



ATTENTION: Internal components can be easily damaged by electrostatic discharge (ESD). Do not touch circuit boards or electronic components with hands or metal objects. Use an insulated screw driver when connecting the lines.

- The ProDySC is not rated to directly power life support equipment.
 - Ensure the area around the ProDySC is clean and uncluttered.
 - Observe all DANGER, CAUTION, and WARNING notices affixed to the inside and outside of the equipment.
-

Installation

Installation Check List

Before proceeding, please take a few minutes to review the necessary steps to install your ProDySC.

- All packing materials and restraints have been removed.
- The ProDySC is placed in its installed location.
- All conduits and cables are properly routed to the ProDySC.
- All power cables are properly terminated.
- A ground conductor is properly installed and terminated.
- If neutral connection is required that it is properly terminated on the ProDySC.
- The area around the installed ProDySC is clean and dust-free.
- Adequate work space exists around the ProDySC.
- Adequate lighting is provided around the ProDySC.
- Operational checks have been reviewed and completed.

Inspecting and Unpacking

- Carefully inspect the outer packaging for evidence of damage during transit. Do not install a damaged cabinet. Report any damage to the carrier and contact your local sales or service immediately.
- Check the ProDySC label for correct model number with the packaging list to ensure you have received the correct voltage, current, and wiring configurations.
- After removing the packaging material, inspect the contents for any evidence of physical damage, and compare each item with the Bill of Lading. If damage has occurred or shortages are evident contact your carrier immediately.

Location (Environment)

The ProDySC must be installed in a protected environment. The location must provide adequate airflow around the ProDySC in an atmosphere free from excessive dust, corrosive fumes, or conductive contaminants. Do not operate the ProDySC in an environment where the ambient temperature or humidity is beyond the specified limits given in this manual.

Mounting Considerations

The ProDySC must be mounted vertically, as shown in the figures, and may be mounted inside another enclosure if the ProDySC inlet temperature remains at or below specified limits. Read this entire user manual to understand the additional space requirements around the ProDySC for power conductor entry, communications conductors, and airflow. Refer to [Specifications and Dimensions on page 35](#) for temperature ratings and heat dissipation.

Mounting the ProDySC

Using the 3/8" hardware and four (4) wall mounting brackets supplied, mount the wall mount brackets to the back of the ProDySC. Mount each bracket to the back of the ProDySC with a single 3/8"-16 x 1" hex cap head screw. Mount the brackets so the flat portion of the mounting bracket is against the back of the ProDySC. Bolt two 2 x 4 pieces of lumber horizontally to the wall using 3/8" by 4" hex-head lag bolts.

Make certain that:

1. The lag bolts line up with the wall studs.
2. The distance between the centers of the pieces of lumber is equal to the distance between the centers of the mounting holes. Refer to [Figure 1](#).
3. Bolt unit to the 2 x 4 pieces of lumber with (4) 3/8" by 2" long hex-head lag bolts.

NOTICE: Weights and complete mounting dimensions are provided in [Chapter 7](#)

Figure 1 - 25 A Mounting dimensions, in. [mm]

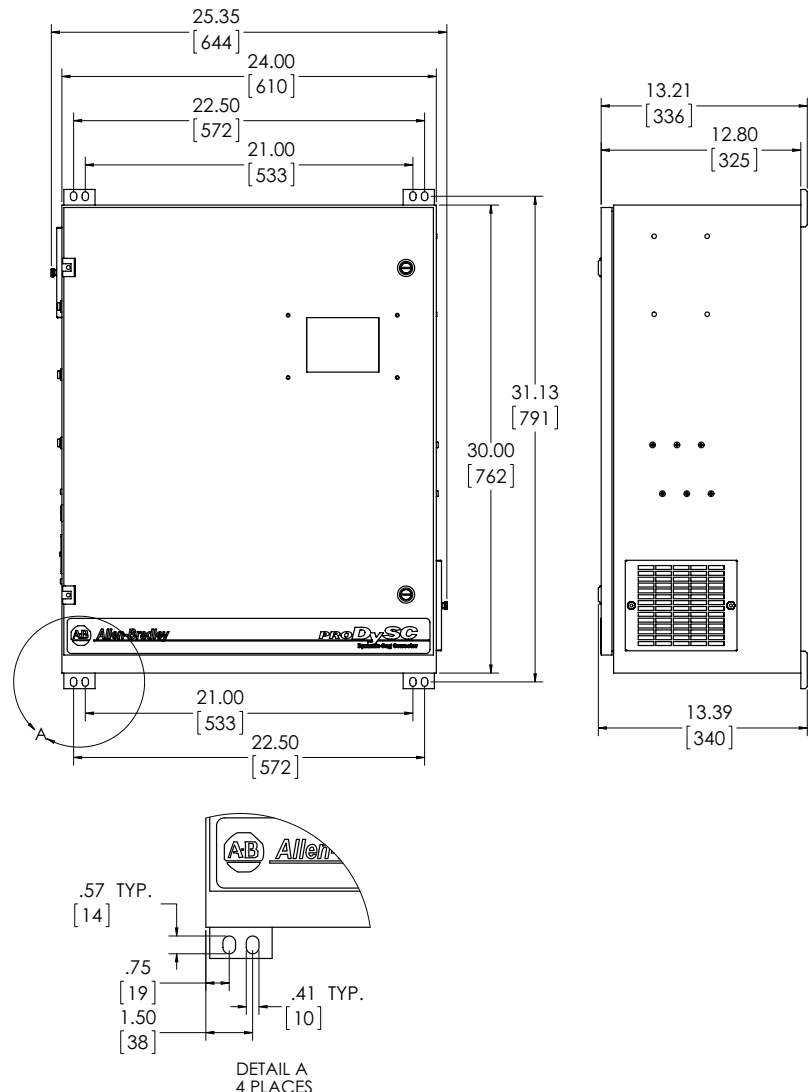
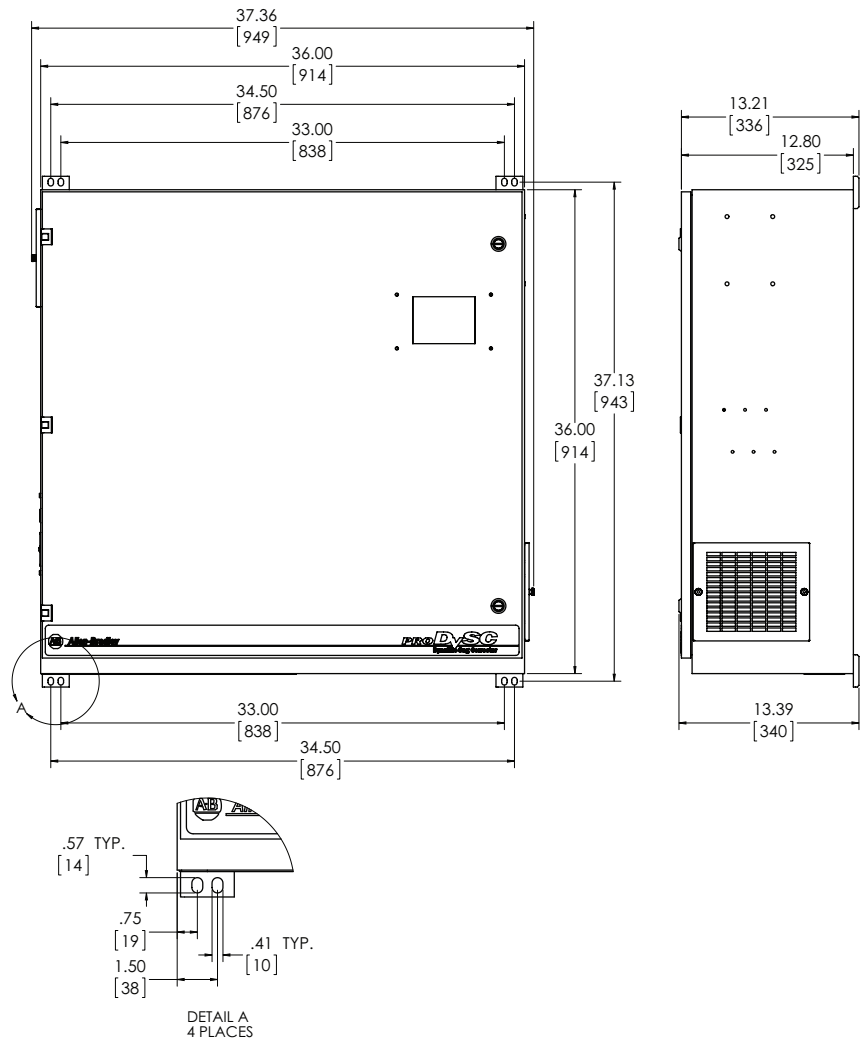


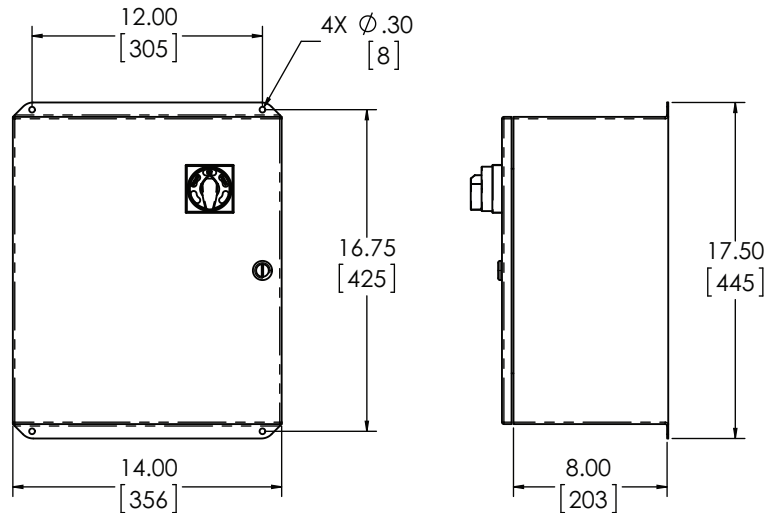
Figure 2 - 50A Mounting dimensions, in. [mm]



Bypass Switch

Installation of the ProDySC with an external maintenance bypass is required to avoid power interruptions to the critical loads during maintenance, service, or testing. Mount the bypass close to the ProDySC to provide quick access and visual coordination when testing or providing service. The 1608P bypass is a wall mounted enclosure with a 3 position rotary switch. Its dimensions and mounting locations are shown in [Figure 3](#).

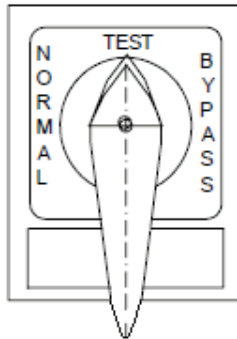
Figure 3 - 25A and 50A bypass mounting dimensions



Bypass Switch Modes

The 1608P bypass switch has three modes of operation and is configured as shown in [Figure 4](#)

Figure 4 - Bypass switch and mode operation



NORMAL Mode - Power flows from the utility source through the ProDySC to the load.

TEST Mode - Power flows directly from the utility to the load. ProDySC outputs are not connected to the load. ProDySC inputs have power provided for testing by a qualified technician.

BYPASS Mode - Power flows directly from the utility to the load. No power is present on ProDySC inputs or outputs.

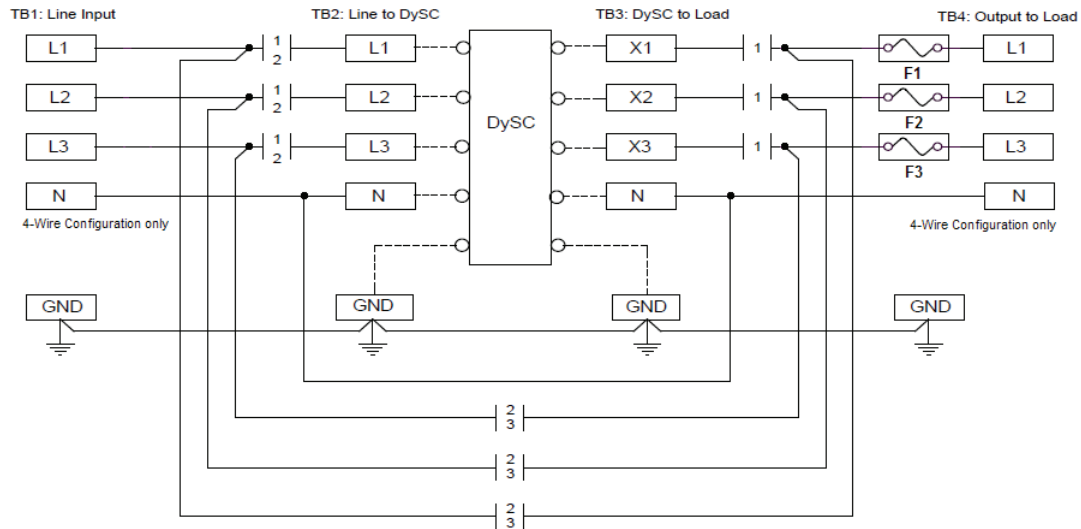
NOTICE: The 1608P bypass switch contacts are designed to make-before-break and will not disrupt power to the load during any mode transitions. The switch has lockout/tagout (LOTO) provisions.

Bypass Switch Wiring Diagram

The maintenance bypass has input and output terminals labeled and located inside the bypass enclosure as shown in [Figure 5](#). The neutral connection is available for 4-wire ProDySC configurations.

NOTICE: All electrical connections must be completed by a qualified electrician, in compliance with all local codes and the National Electric Code.

Figure 5 - Bypass wiring diagram



Circuit Breaker Recommendations

Branch circuit protection upstream of the ProDySC is required. Recommended circuit breakers and maximum allowed circuit breaker ratings are listed in [Table 1](#). Branch circuit protection rated less than the ProDySC current rating may result in nuisance tripping.

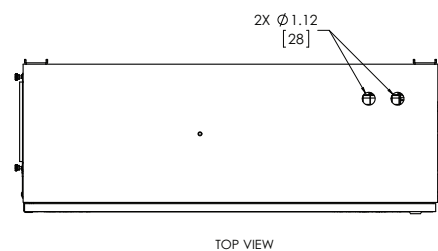
Table 1 - Recommended Branch Circuit Protection

ProDySC Rating	Recommended MCCB Cat. No.	Max. MCCB Rating
25 A	140U-H3C3-C35	35 A
50 A	140U-H6C3-C70	70 A

Accessing ProDySC Terminations

Two holes are provided for punch-out locations to provide the appropriate hole size for conduit fittings in the ProDySC. Take care to avoid dropping any metal filings inside the enclosure. Metallic contamination will void the product warranty. See [Figure 6](#) for preferred Input/Output wiring locations.

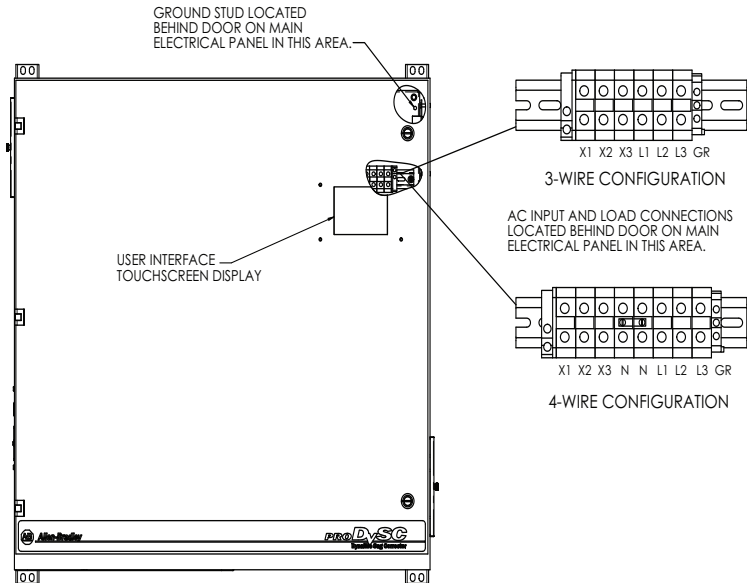
Figure 6 - Knockout Hole Locations



ProDySC Terminations and Ratings

A qualified electrician must install the units. To access the ProDySC Electrical Terminations, turn the two ¼ - turn latches CCW and swing open the door. The unit is furnished with one of the terminal block configurations as shown in [Figure 7](#). For power cable termination specifications see [Table 2](#) for the 25A rated units and [Table 3](#) for the 50A rated units.

Figure 7 - Input/Output terminal locations



ATTENTION: All electrical connections must be completed by a qualified electrician, in compliance with all local codes and the National Electric Code

Input:

- Ground (Earth): Connect the safety ground conductor to the ground stud.
- 3-Wire Input: Connect source L1, L2, and L3 to terminals labeled L1, L2, and L3 respectively.
- 4-Wire Input: Connect source L1, L2, L3, and Neutral to terminals labeled L1, L2, L3, N respectively.

IMPORTANT

4-wire ProDySCs (units with "... V4" in their part number) must also have a neutral connected to the neutral terminal block. The neutral terminal block is labeled "N". Neutral must be connected for these units to operate properly.

Output:

- Terminal blocks are provided marked X1, X2, X3 and N (if used) as shown in [Figure 7](#). If there are multiple loads, a separate distribution box must be provided so that there is only one set of output wires terminated inside the ProDySC enclosure.

IMPORTANT

The 480V 3 phase 3W ProDySC has not been evaluated by Underwriter's Laboratories, Inc.® for connection to a corner-grounded delta power source.

Table 2 - ProDySC 25 Amp Power Cable Terminations









3 Wire with a Ground				
Terminal Connection	Function	Terminal Marking	Wire Range AWG (mm ²)	Torque lb-in (Nm)
AC Input	Phase A, B, C	L1, L2, L3	24-8 (0.5-6)	7.1- 8.9 (0.8-1)
	Ground		¼-20 Stud	65 (7.3)
AC Output	Phase A, B, C	X1, X2, X3	24-8 (0.5-6)	7.1- 8.9 (0.8-1)
	Ground		¼-20 Stud	65 (7.3)
4 Wire with a Ground				
AC Input	Phase A, B, C	L1, L2, L3	24-8 (0.5-6)	7.1- 8.9 (0.8-1)
	Ground		¼-20 Stud	65 (7.3)
	Neutral	N	10-0 (1-35)	24.9- 26.7 (2.8-3)
AC Output	Phase A, B, C	X1, X2, X3	24-8 (0.5-6)	7.1- 8.9 (0.8-1)
	Neutral	N	10-0 (1-35)	24.9- 26.7 (2.8-3)
	Ground		¼-20 Stud	65 (7.3)

Table 3 - ProDySC 50Amp Power Cable Terminations

3 Wire with a Ground				
Terminal Connection	Function	Terminal Marking	Wire Range AWG (mm ²)	Torque lb-in (Nm)
AC Input	Phase A, B, C	L1, L2, L3	10-0 (1-35)	24.9-26.7 (2.8-3)
	Ground		¼-20 Stud	65 (7.3)
AC Output	Phase A, B, C	X1, X2, X3	10-0 (1-35)	24.9-26.7 (2.8-3)
	Ground		¼-20 Stud	65 (7.3)
4 Wire with a Ground				
AC Input	Phase A, B, C and Neutral	L1, L2, L3, N	10-0 (1-35)	24.9-26.7 (2.8-3)
	Ground		¼-20 Stud	65 (7.3)
AC Output	Phase A, B, C and Neutral	X1, X2, X3, N	10-0 (1-35)	24.9-26.7 (2.8-3)
	Ground		¼-20 Stud	65 (7.3)



WARNING: The ProDySC must be safety-grounded according to the National Code. In addition, all local, state, and federal regulations applicable to the installation of electrical systems as well as accident prevention regulations must be strictly observed.

Notes:

Communications

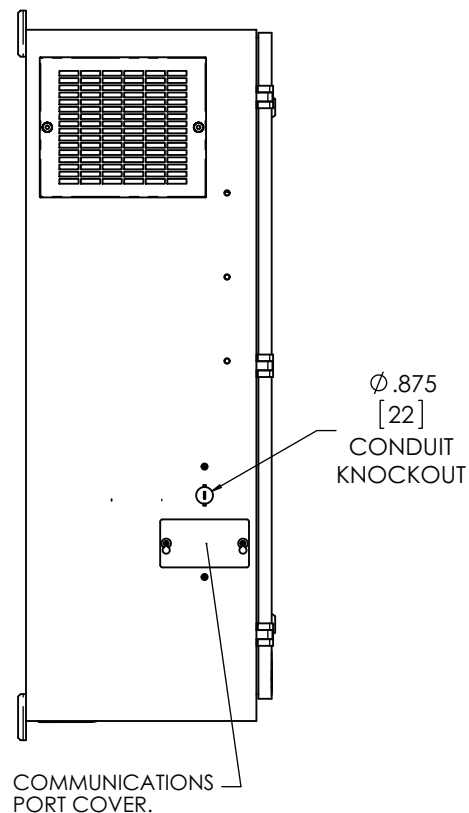
Both dry contacts (relays) that indicate status and a Serial Communications Port (RS-232) are available for monitoring the ProDySC.

Dry Contacts

Three relay contacts indicate ProDySC status. The contacts are form A and close upon occurrence of the named event: (a) any SAG EVENT, when rms input voltage drops below 88.5% of rated value; (b) OUTPUT OK, when output voltage remains between 87% and 110%; and (c) a system ALARM event. The relay contact ratings are 24V at A.

- For access, remove the Communications Port cover (See [Figure 8](#)).
- A removable connector (plug) is provided to facilitate wiring.
- All wiring is to be Class 2, limited to 24 Volts, AC or DC.
- Acceptable wire gauges range from 24AWG to 12AWG (0.205-2.5mm²).
- Torque connections to 5.0 lb-in (0.6 N-m).
- For permanent installations, a standard conduit knockout is located within the wiring area (See [Figure 8](#)).

Figure 8 - Access Cover Location

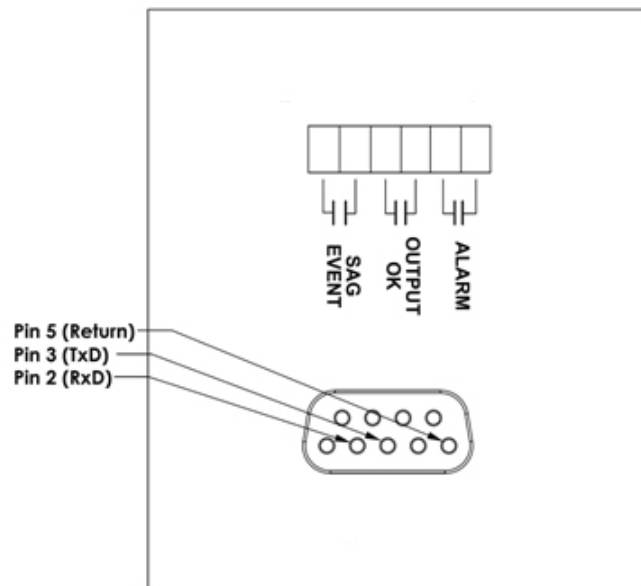


Serial Communications Port

The ProDySC serial port is a DE-9 female connector. The pin-out follows standard RS-232 protocol: pin 2 is RxD, pin 3 is TxD and pin 5 is common (return). All other pins are unused. Contacts are galvanically isolated from the system power and grounds.

- Protection: The RS-232 port is ESD-protected to 15kV
- Protocol: 57.6k bps, 8 data bits, one stop bit, no parity, flow control off
- Data packets are SLIP encoded (with 2 byte length field)
- Data accessible through this port includes line and load voltages, line and load currents, status, and event and diagnostic logs.
- Consult Rockwell Automation technical support for specifications to the ProDySC SLIP protocol.

Figure 9 - Serial Communications Port



Applying Power

- Verify that the ProDySC voltage rating matches the source voltage.
- Before applying power to the ProDySC, make certain there are no metal filings or any conductive debris in or on any components inside the ProDySC.
- Ensure that all input/output wiring including grounding has been completed and that all access doors are closed.
- Place the maintenance bypass in “Bypass” mode.
- Apply power from the upstream branch protection device. Power will flow through the maintenance bypass directly to the load.
- Place the maintenance bypass in “Test” mode. The ProDySC touchscreen will become active but the load will still be powered through the bypass.
- Ensure that the touchscreen displays “OK” in the upper left corner and that the nominal voltage, current, and frequency in the status display are correct
- If a “Critical” or “Fatal” system event appears on the touch screen (1) place the maintenance bypass switch in BYPASS and (2) call for technical support
- Place the maintenance bypass in “Normal” mode.
- Verify that the output (load) voltage is present and within its nominal rating.
- If a “Critical” or “Fatal” system event appears on the touch screen (1) place the maintenance bypass switch in BYPASS and (2) call for technical support.

Notes:

Display Screen

Overview

The ProDySC® touch screen display is a window to voltage sags and ProDySC protection. The display provides system status, voltage sag notification and history, runtime statistics and system history in a simple and intuitive touch-based user interface.

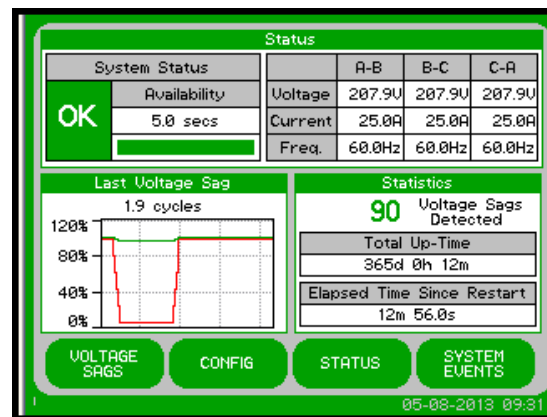
When the system first starts, a welcome screen displaying the ProDySC product logo appears. This screen disappears after 5 seconds, when the “Home” screen appears.

Note: The touch screen is optimized for use with a plastic stylus or bare finger.

At installation time perform the following steps to configure your system:

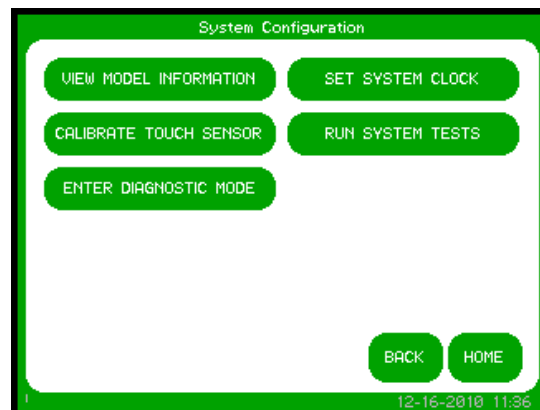
Step 1: Press the "CONFIG" button at the bottom of the “HOME” screen (See [Figure 10](#)).

Figure 10 - Home Screen



Step 2: Begin calibration by pressing "CALIBRATE TOUCH SENSOR" (See [Figure 11](#)).

Figure 11 - System Configuration



Note: To recalibrate from any screen, hold anywhere on the screen for 10 seconds. You will see a small progress bar at the bottom of the screen. When the progress bar reaches 100 percent, the calibration screen will open.

Step 3: The "Touch Screen Calibration" screen will then appear (See [Figure 12](#)). Press and hold on the center of the touch target, release when the touch target begins to flash. Repeat with the next two touch targets.

Step 4: The screen uses the new calibration configuration. You can test the calibration before saving by pressing anywhere on the screen to ensure the touch target appears where you press. After testing, press the "SAVE" button. Press the "BACK" button to return to the "System Configuration" screen.

Figure 12 - Touch Screen Calibration

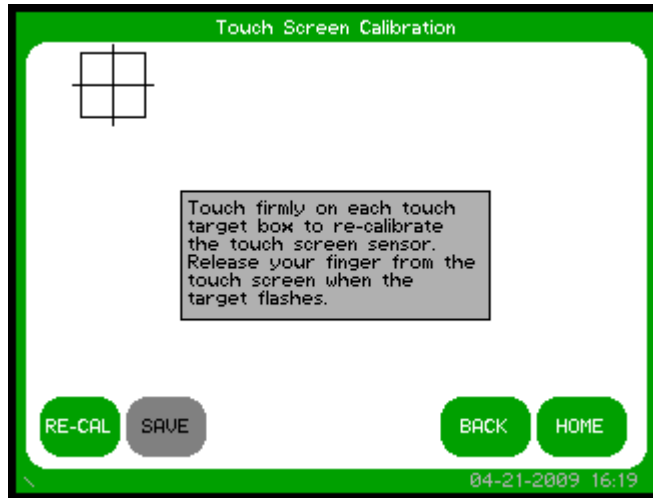
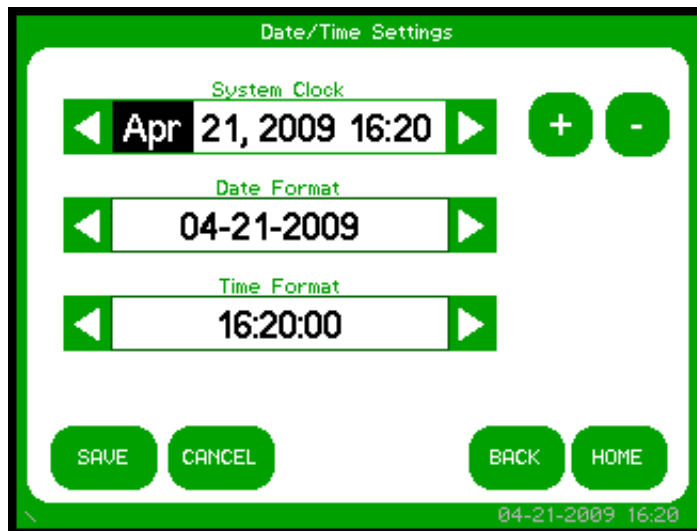


Figure 13 - Set System Date and Time

Step 5: Set date and time by pressing "SET SYSTEM CLOCK" in "System Configuration." Press "SAVE" when completed.



Home Screen

The "HOME" screen of the display provides a snapshot view of the status of the entire system (See [Figure 14](#)). You can return to this screen from any other screen by pressing the "HOME" button. After 5 minutes of inactivity (i.e. not pressing the screen), the touch screen will automatically return to the "HOME" screen. The "HOME" screen is divided into four main areas described in [Table 4](#).

Figure 14 - Home Screen

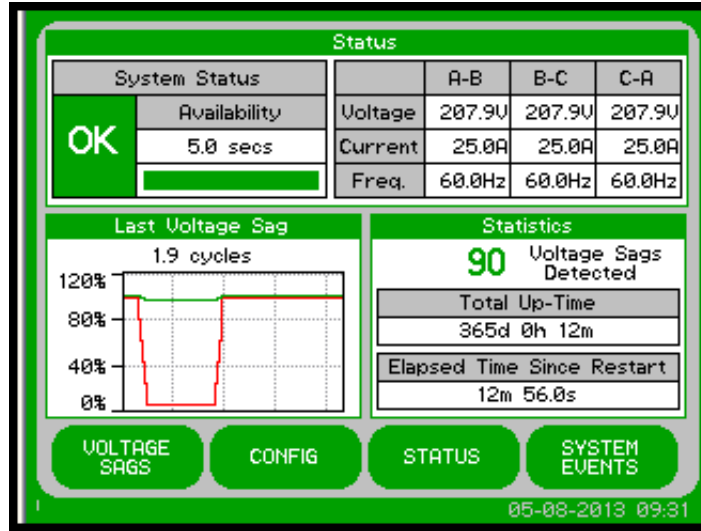


Table 4 - Home Screen Description

Description	Function
Status	Real-time system operation: available runtime, output line-to-neutral (L-N) or line-to-line (L-L) voltage (model dependent), load current, and frequency
Last Voltage Sag	Rotating information about the last voltage sag: event start time, event duration, and sag depth
Statistics	Summary view of ProDySC performance based on sags detected, plus a rotating display of last power-up date, elapsed time (since power up), and total up-time
Main Menu	The menu buttons at the bottom of the screen navigate through: VOLTAGE SAGS: Displays the "Voltage Sag Log" screen CONFIG: Displays the "System Configuration" screen STATUS: Displays the "System Status" screen SYSTEM EVENTS: Displays the "System Event Log" screen

System Status

The "System Status" screen displays the real-time overall system status. Reach this screen by pressing "STATUS" on the "HOME" screen or the "Status" area at the top of the "HOME" screen

Figure 15 - System Status Summary

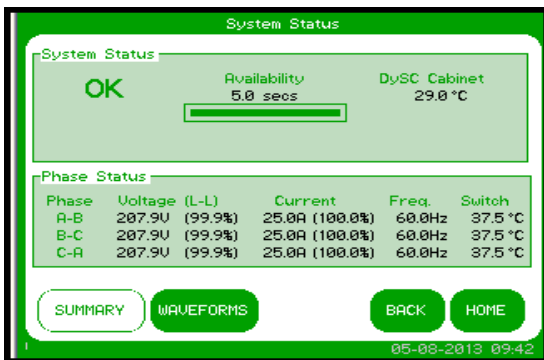


Figure 16 - - System Status Waveforms

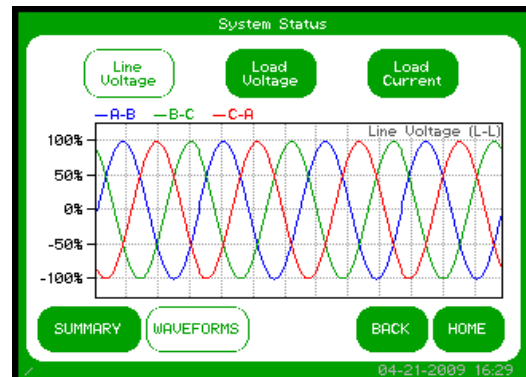


Table 5 - System Status Description

Description	Function
System Status	Overall system status including current operational status, availability to correct sags, and internal cabinet temperature
Phase Status	Voltage, current, frequency, and static switch temperature are displayed for all phases. The percentage displayed following the voltage and current is the percent of nominal value for the ProDySC. Nominal values are listed on the "View Model Information" screen.
Waveforms	A sample of a 4 cycle waveform that includes real-time line voltage, load voltage, or load current can be selected for display

Voltage Sag Events

A voltage sag is defined as the period when input RMS voltage drops to less than 88.5% of the rated DySC voltage. Details of each voltage sag and corresponding ProDySC protection are captured and saved to the voltage sag log.

Voltage Sag Log

The "Voltage Sag Log" screen (See [Figure 17](#)) displays a list of the last 61 voltage sags. Reach this screen by pressing "VOLTAGE SAGS" button on the "HOME" screen.

Figure 17 - Voltage Sag Log

#	Time	RMS%	Duration
30	04-21-2009 15:19:25	5%	1.9 cycles
29	04-21-2009 08:22:45	10%	3.9 cycles
28	04-21-2009 01:26:05	15%	5.9 cycles
27	04-20-2009 18:29:25	20%	7.9 cycles
26	04-20-2009 11:32:45	25%	9.9 cycles
25	04-20-2009 04:36:05	30%	11.8 cycles
24	04-19-2009 21:39:25	35%	13.8 cycles
23	04-19-2009 14:42:45	40%	15.8 cycles
22	04-19-2009 07:46:05	45%	17.8 cycles
21	04-19-2009 00:49:25	50%	19.8 cycles

Table 6 - Voltage Sag Log Description

Description	Function
#	Unique ID within the list (0-60) to identify the voltage sag
Time	Start time and date of the voltage sag
Check Mark	Denotes the ProDySC protected the voltage sag
RMS %	Worst-case RMS voltage (percent of nominal) across all phases
Duration	Duration of the voltage sag

Note: Use the up/down arrows to navigate through the list. Press the "SELECT" button to view additional details about the voltage sag

Voltage Sag Detail

The "Voltage Sag Detail" screen (See [Figure 18](#)) displays all information related to the selected event. Details for the most recent sag event can also be accessed by pressing anywhere in the Last Voltage Sag area of the HOME screen.

The worst-case RMS voltage recorded during the event is displayed in the upper window along with the corresponding voltage percentage and the event duration. Table 7 describes the remaining screen content.

Figure 18 - Voltage Sag Detail

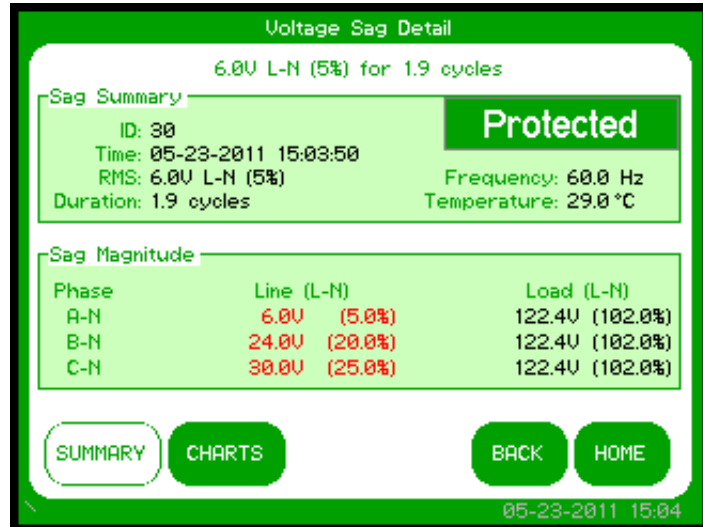


Table 7 - Voltage Sag Detail Description

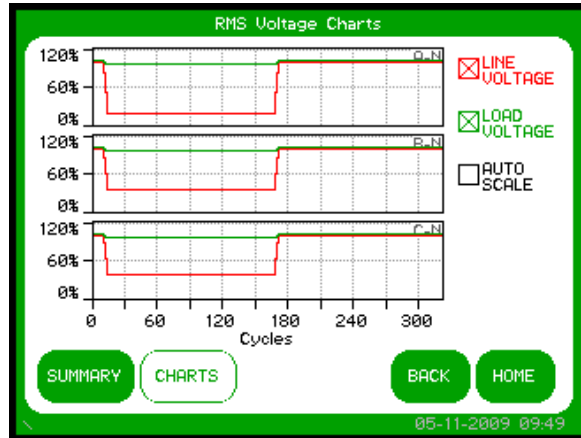
Description	Function
Sag Summary	<p>ID: Unique ID within the list (0-60) to identify the voltage sag</p> <p>Time: Start time of the voltage sag</p> <p>RMS: Worst-case RMS voltage (L-N) and percent of rated voltage across all phases</p> <p>Duration: Duration of the voltage sag</p> <p>Frequency: Frequency of the line prior to the start of the voltage sag</p> <p>Temperature: Internal temperature of the PRODYSC prior to the start of the voltage sag</p>
Sag Magnitude	<p>Line Voltage: Line RMS voltage and percent of rated (L-N). Voltages <= 80% of nominal are displayed in red.</p> <p>Load Voltage: Load RMS voltage and percent of nominal (L-N).</p>
Correction Result	<p>The "Correction Result" is displayed in a box in the upper-right-hand corner of the "Event Summary" section. The "Correction Result" conveys how the PRODYSC performed correcting the voltage sag. The possible values are:</p> <p>Protected: The output RMS voltage on all phases is ≥85 percent of nominal and the PRODYSC correction was active for the duration of the voltage sag (will be displayed in green).</p> <p>Run Error: An unexpected system event occurred during the sag (will be displayed in orange)</p> <p>Run Inhibited: The PRODYSC system was inhibited when the sag occurred (will be displayed in orange).</p>

Note: The "Voltage Sag Detail" for the most recent event can also be accessed by pressing the "Last Voltage Sag" area of the "HOME" screen.

Voltage Sag RMS Voltage Charts

The line and load RMS voltage (L-N) of each phase is recorded for 8 cycles prior to the start of the voltage sag followed by the first 300 cycles of the voltage sag (See [Figure 19](#)). Reach this screen by pressing "CHARTS" on the "Voltage Sag Detail" screen as shown in [Figure 18 on page 23](#).

Figure 19 - - RMS Voltage Charts



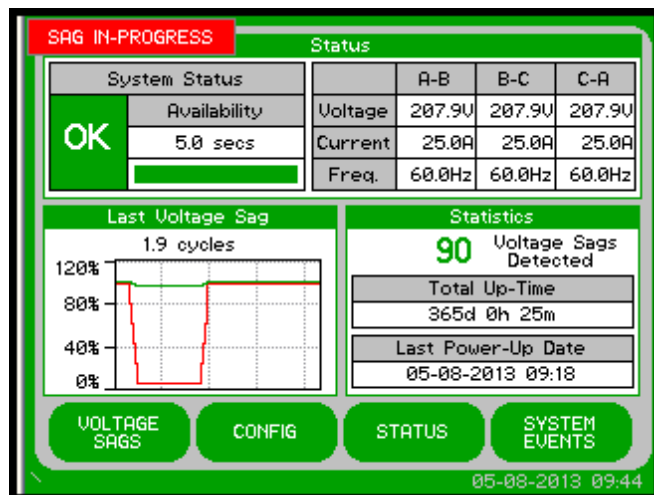
Line voltage is shown in red and load voltage is shown in green. By pressing the check boxes in the right column, you can toggle each data series Off and On as well as enable y-axis auto-scaling.

Note: 300 cycles = 5.0 seconds at 60 Hz or 6 seconds at 50 Hz.

Voltage Sag Notification

While the voltage sag is in-progress, a flashing red box in the upper left-hand corner will display "SAG-IN-PROGRESS." This box will appear on every screen until the voltage sag ends. See [Figure 20](#).

Figure 20 - Voltage Sag Detected



System Events

The ProDySC tracks all operational events which are classified into five groups based on severity.

Table 8 - System Event Description

Description	Function
Informational	Purely informational. No action is required.
Auto-Resetting	The PRODySC will reset within 60 seconds. No user action is required.
User Attention	User action may be required to correct a problem. The PRODySC will reset 60 seconds after the error condition is corrected.
Manual-Reset	For system events that force an automatic transfer to mechanical bypass, a manual reset of the DySC system will be required.
Call Service	For events classified as Call Service, factory trained service support will be required. Contact SoftSwitching Technologies support.

System Event Log

The "System Event Log" screen displays a list of the last 40 system events in chronological order (See [Figure 21](#)). Reach this screen by pressing "SYSTEM EVENTS" on the "HOME" screen.

Figure 21 - System Event Log

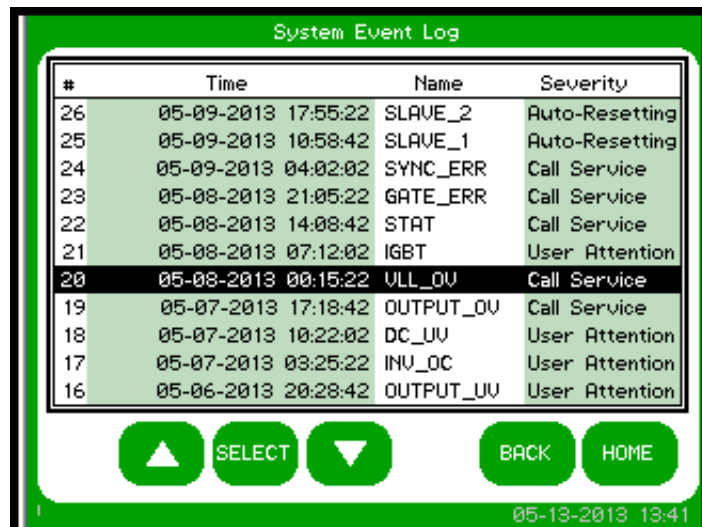


Table 9 - System Event Log Description

Description	Function
#	Unique ID (0-39) to identify the system event (unique within the list)
Time	Start time of the system event
Name	Short name of the system event.
Severity	Severity of the system event

Note: Use the up/down arrows to navigate through the list. Press the "SELECT" button to view additional detail about the system event.

System Event Detail

The "System Event Detail" screen is displayed when a specific system event is selected by pressing on the "SELECT" button on the "SYSTEM EVENT LOG" screen (See [Figure 21 on page 25](#)). It provides detailed information that was recorded during the event (See [Figure 22](#)).

Figure 22 - System Event Detail

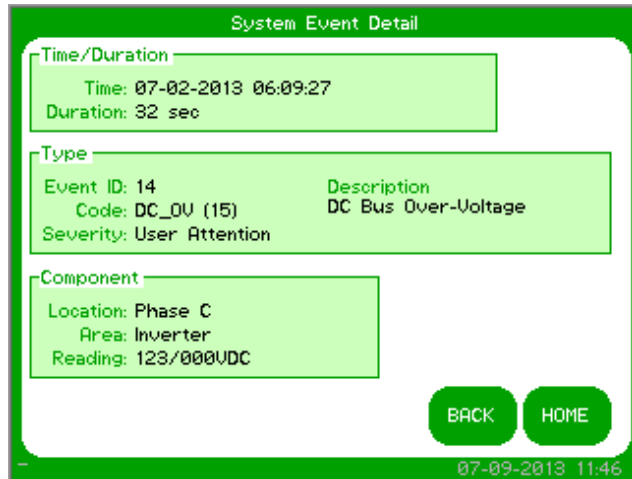


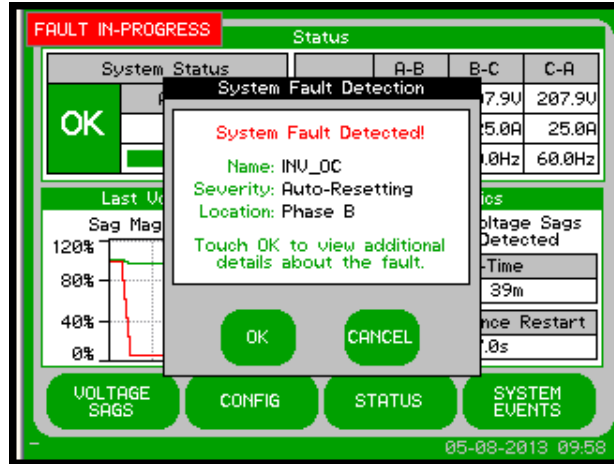
Table 10 - System Event Detail

Description	Function
Time/Duration	Time: Date and start time of the system event Duration: The amount of time the event lasted.
Type	Event ID: Unique ID within the list (0-39) to identify the event. Code: Abbreviation of the event followed by a numeric event code in parentheses. (For a list of codes and abbreviations Refer to System Event Table on page 32) Severity: Severity of the event Description: Name of the event Refer to System Event Table on page 32
Component	Location: The location in the system where the event originated (i.e. Phase A, Phase B, Phase C, etc.). Area: The specific area within the location where the event originated (i.e. Inverter, etc.). Reading: In some cases, the system will record a relevant data value during the event i.e. For an "Inverter Over-current Fault," the component "reading" is the current value that caused the event. If a data value is not appropriate for the event type, "N.A." is displayed.

System Event Notification

When the ProDySC system first detects an event condition, the "System Fault Detection" dialog box will be displayed (See [Figure 23](#)). Within the "System Fault Detection" box, the name, severity, and location of the event will be displayed.

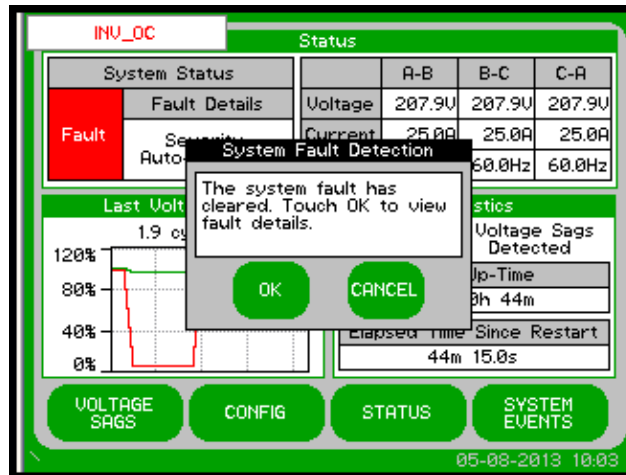
Figure 23 - System Fault Detection



Pressing the "OK" button will open the "System Event Detail" screen. The event will appear in the event list after the event is over. The window can be closed by pressing the "CANCEL" button or waiting 15 seconds.

When the event condition clears, a new dialog box will be displayed. Press "OK" to view the complete event detail, or "CANCEL" to close the dialog box (See [Figure 24](#)).

Figure 24 - System Fault Detection - Cleared

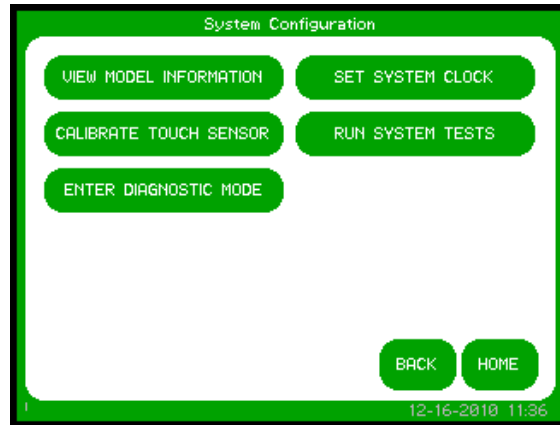


If a "Call Service" severity event is detected, record the event details including: name, description, location, and reading. Contact product support immediately. If the event clears, the touch screen will automatically go back to normal operation.

System Configuration

Press the "CONFIG" button at the bottom of the "HOME" screen to enter the "System Configuration" screen (See [Figure 25](#)). The "SET SYSTEM CLOCK" and "CALIBRATE TOUCH SENSOR" functions are described at the start of this chapter.

Figure 25 - System Configuration



Model Information

Touch "VIEW MODEL INFORMATION" to go to the "Model Information" screen. (See [Figure 26](#)).

Figure 26 - Model Information

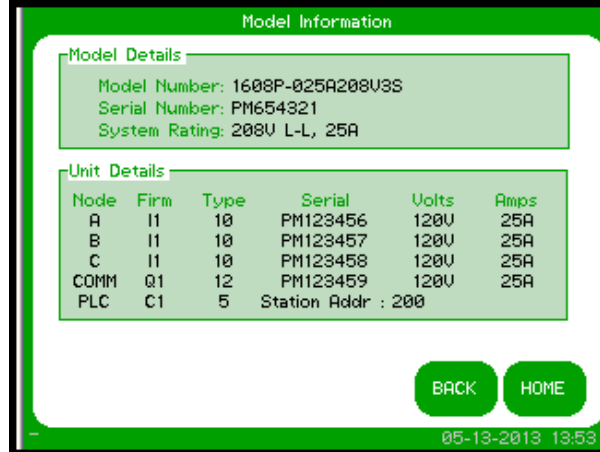


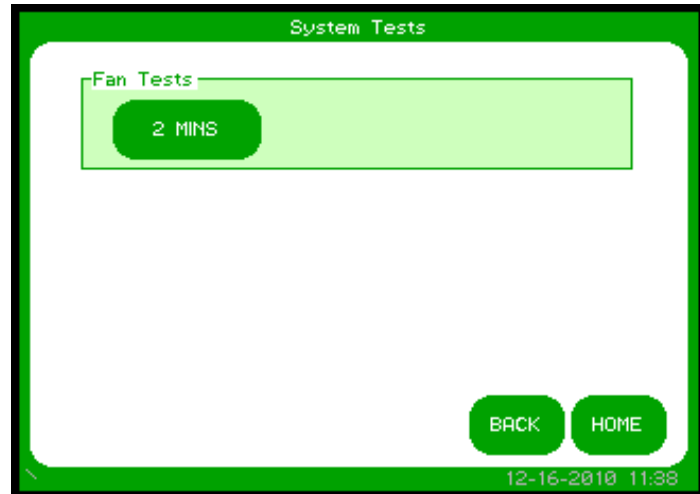
Table 11 - Model Information

Description	Function
Model Details	Model Number: System Model number
	Serial Number: System serial number
	System Rating: System voltage and current ratings
Unit Details	Node: The location index for the details listed to the right
	Firm: The firmware version for the location indexed.
	Type: Unique code specifying firmware part number for the location indexed.
	Serial: The serial number for the location indexed
	Volts: The rated voltage for the locations
	Amps: The rated current for the location indexed

Run System Tests

Press the "RUN SYSTEM TESTS" to enter the "System Tests" screen. Press "2 MINS" to run the system fans for 2 minutes (See [Figure 27](#)).

Figure 27 - System Tests



Diagnostics Mode

This is not a user function. It is numerical code protected for authorized service personnel.

Notes:

Maintenance

Preventative Maintenance

The ProDySC requires very little preventative maintenance. The ProDySC should be checked periodically for proper air flow and status indicator operation.

Monthly Checks

- Ensure the touch screen display is working and no active events are displayed.
- Update system time, if needed, [Figure 13 on page 20](#)
- Use a soft cloth to clean the touch display. DO NOT USE harsh detergent, abrasive sponges, alcohol, ammonia, toluene, or acetone on the touch display.
- Ensure air intake and exhaust filters are not covered or obstructed.

3-6 Month Checks

- Check air filters and clean when necessary.
 - Air filters for the ProDySC will require periodic cleaning, with the frequency depending on the environment. Filters are located on the right and left sides of the ProDySC, and can be accessed with the door closed. The ProDySC need not have power removed for this operation. Remove the grill covers by unscrewing the knurled nuts; the washable foam filter pads are behind the grill cover. Gently wash the foam filter pads as needed with a light non-abrasive soap and water mixture. Towel-dry; do not wring-out. Place the filter and grill cover back into their location and replace the screw caps by rotating clockwise until finger tight. Replace filter if damaged. Consult Rockwell Automation technical support for replacement filters. Replacement filters must be no more restrictive to air flow than the original equipment filters.
- Check fan for proper operation.
 - Tap on “CONFIG” on the touch screen display. Tap on “Run System Test”. This will bring up a “System Test” screen to test the fans. After tapping the “Fan Test” button, you should hear the fan run for two minutes.
- Ensure that the (optional) bypass switch is in “Normal” mode so that the ProDySC is protecting the load.

Table 12 - System Event Table

Event Code	Code Name	Full Name	Severity	Area	Event Description	Event Resolution
1	POWER_ON	DySC Power On	Informational	Unit	Power re-applied to the DySC.	No action needed.
4	T_FAN_ST	Fan Test Start	Informational	Unit	Start acknowledgment of DySC fan test.	No action needed.
5	T_IN_ST_1	Inverter Test (.5 cycles) Start	Informational	Unit	Start acknowledgment of DySC 0.5 cycle inverter test.	No action needed.
6	T_IN_ST_2	Inverter Test (3 cycles) Start	Informational	Unit	Start acknowledgment of DySC 3 cycle inverter test.	No action needed.
7	T_IN_ST_3	Inverter Test (5.5 seconds) Start	Informational	Unit	Start acknowledgment of DySC 5.5 second inverter test.	No action needed.
9	EXTERNAL	External Inhibit	Auto-Resetting	Inverter	Controller is inhibited by another phase controller.	Review event details from other phase controllers.
11	RUN_TO	Inverter Run Timeout	Auto-Resetting	Inverter	DySC inverter had a total cumulative runtime of more than rated.	No action needed.
12	LIM_CYCLE	Inverter Limit Cycle Timeout	Auto-Resetting	Inverter	Power was re-applied more than once within a 58 second period.	No action needed.
13	STAT_OT	Static Switch Over-Temperature	User Attention	Static Switch	Static switch heatsink temperature was greater than maximum rating.	Verify ambient temperature is within DySC specification. Check for damaged fans. Check for dirty or obstructed air filters.
14	OVERLOAD	Overload	User Attention	Unit	Inverter inhibited because load current exceeded maximum rating.	Reduce load. In parallel DySC systems, verify proper current sharing among slave cabinets.
15	DC_OV	DC Bus Over-Voltage	User Attention	Inverter	Positive or negative half of DC bus voltage exceeded maximum rating.	Verify line voltage is within ratings. Verify proper DySC application. Call service.
16	CNTRL_UV	Controller Power Under-Voltage	User Attention	Inverter	DySC control power supply is out of tolerance.	Verify DySC is online and line voltage is within ratings. Call service.
17	OUTPUT_UV	Output Under-Voltage	User Attention	Inverter	DySC output voltage was less than 80% of nominal during sag correction. Sag condition likely outside of DySC specification.	Verify line voltage is within ratings. Verify proper DySC application.
18	INV_OC	Inverter Over-Current	User Attention	Inverter	Inverter current exceeded maximum rating during sag correction.	Verify load current is within ratings. Verify mechanical bypass switch is open. Verify proper DySC application.
19	DC_UV	DC Bus Under-Voltage	User Attention	Inverter	DC bus voltage below operational range.	Verify line voltage is within ratings. Call service.
20	OUTPUT_OV	Output Over-Voltage	Call Service	Inverter	DySC output voltage was greater than 115% of nominal during sag correction.	Call service.
25	SYNC_ERR	Line Synchronization Error	Call Service	Inverter	Inverter not synchronized to line when sag detected.	Call service.
31	CONFIG	Configuration Alert	Call Service	Inverter	Controller configuration has changed.	Call service.
32	CNTRL_MEM	Controller Memory Busy	Auto-Resetting	Inverter	Controller is loading new data into Flash memory.	No action needed.
33	UNBALANCE	Start-Up Test: DC Bus Unbalance	Call Service	Inverter	Positive and negative halves of the DC bus did not charge equally during power up.	Call service.
34	AC_V_CHK	Start-Up Test: AC Voltage Check	Call Service	Inverter	Output voltage was detected out of tolerance during the start-up test.	Call service.
35	ROLL_CALL	Start-Up Test: Controller Roll Call Timeout	Call Service	Unit	Controller communication problem detected during start-up test.	Call service.
36	COM_VER	Start-Up Test: Communication Compatibility Mismatch	Call Service	Unit	Firmware communication compatibility problem detected during start-up test.	Call service.
37	CNFG_TO	Start-Up Test: Controller Configuration Timeout	Call Service	Unit	Controller communication problem detected during start-up test.	Call service.
38	CNFG_ERR	Start-Up Test: Controller Configuration Mismatch	Call Service	Unit	Controller firmware configuration problem detected during start-up test.	Call service.
39	FIRM_TO	Start-Up Test: Controller Firmware Check Timeout	Call Service	Unit	Controller communication problem detected during start-up test.	Call service.
40	FIRM_DIFF	Start-Up Test: Controller Firmware Revision Mismatch	Call Service	Unit	Controller communication problem detected during start-up test.	Call service.
41	SRL_TO	Start-Up Test: Controller Serial Number Check Timeout	Call Service	Unit	Controller firmware revision mismatch detected during start-up test.	Call service.
42	SRL_DIFF	Start-Up Test: Serial Number Mismatch	Informational	Unit	Controller communication problem detected during start-up test.	Call service.
44	T_INV_TO	Inverter Test Timeout	Call Service	Unit	Controller serial number mismatch detected during start-up test. Phase control board failed to respond to Comm board's inverter test.	No action needed. Call service.

Fuse Replacement

Fast-acting fuses are included to protect the ProDySC in the event of a load short circuit. If the screen is dark when power is applied, it may indicate a blown fuse. Check the fuse(s) for continuity.



WARNING: Turn the power to the ProDySC off by placing the Bypass Switch into “BYPASS” or opening the branch circuit breaker before replacing the fuse. Failure to comply with this warning can result in injury or death.

The ProDySC has high voltage remaining up to 5 minutes after disconnection from the AC line. Touching exposed or disconnected terminals, cables or parts of the ProDySC can lead to serious injuries or even death. Wait for a minimum of 5 minutes before performing any service or testing on the DySC after power is removed

Keep the cabinet doors closed to ensure proper cooling airflow and to protect personnel from dangerous voltages inside the ProDySC.

IMPORTANT A qualified electrician must replace the fuse. Open the front cabinet door(s) to access the fuse holders and fuses.

To maintain protection of the ProDySC, be sure to replace the fuse with the same type and rating. These fuses are available from the factory. Provide the factory with the ProDySC model number located on the outside of the enclosure.

Fuse Rating Charts

Replace fuse with the same type or equivalent cross-referenced rating. You may order these fuses through Rockwell Automation or the manufacturer listed.

Table 13 - DySC Fuse Ratings for 25A Unit

Fuse Reference	Fuse Location	Fuse Rating	Manufacturer Part Number
F1, F2, F3	Main Power Input	60A/500V	Mersen A50QS60-4
F7	Input Control Transformer	0.5A/600V	Mersen ATQR1/2
F4, F5, F6	Cross-Coupling Transformer	15A/600V	Mersen TRS15R
F8, F9, F10 (3 wire models only)	Neutral Forming Transformer	0.75A/600V	Mersen ATQR3/4
F17, F18	Output Control Transformer	2A/600V	Mersen ATQR2
F1, F2 (ER models only)	Extended-Run Module PCB (x3)	25A/600V	Mersen A60Q25-2

Table 14 - DySC Fuse Ratings for 50A Units

Fuse Reference	Fuse Location	Fuse Rating	Manufacturer Part Number
F1, F2, F3	Main Power Input	150A/500V	Mersen A50QS150-4
F7	Input Control Transformer	0.5A/600V	Mersen ATQR1/2
F4, F5, F6	Cross-Coupling Transformer	30A/600V	Mersen TRS30R
F8, F9, F10 (3 wire models only)	Neutral Forming Transformer	0.75A/600V	Mersen ATQR3/4
F17, F18	Output Control Transformer	2A/600V	Mersen ATQR2
F1, F2 (ER models only)	Extended-Run Module PCB (x6)	25A/600V	Mersen A60Q25-2



WARNING: De-energize the Bypass Switch by opening the upstream branch circuit breaker before replacing a Bypass Switch fuse. Failure to comply with this warning can result in injury or death

Table 15 - Bypass Switch Fuse Ratings

Bypass Cat. No.	Fuse Rating	Manufacturer Part Number
1608P-BP025A480V3	35A/600V	Bussmann LPJ-35SP
1608P-BP050A480V3	100A/600V	Bussmann DFJ-100

Specifications and Dimensions

Table 16 - Technical Specifications

Electrical Input/Output (Normal Mode—Static Switch)	
Connection Configuration	Series-connected with load. Under normal line condition, the static switch passes utility voltage directly to the load
Standard Input Voltages	3 ∅: 208, 380, 400, 415, 480V ¹
Voltage Range	± 10%
Current Overload (Static Switch)	150% @ 30Sec., 400% @ 5 Sec., 600% @ 0.5 Sec.
Frequency	50/60 Hz Auto Sensing
Frequency Range	45 to 65 Hz
TVSS	Built-in 3-Layers consisting of MOVs & Capacitors
Efficiency	> 99% @ 480V
Electrical Output (Sag Correction Mode - Inverter)	
Output Voltage	Pre-sag rms voltage
Voltage Regulation	+5%-13% of nominal
Output Current ²	Rated RMS (25A or 50A). Not rated for DC loads: max. allowable 2% DC loading
Crest Factor (at nameplate rms load)	1.45
Voltage Waveform	Sine wave
Voltage Sag Correction Times	
Single Event	
3 phase 87% to 50% Voltage Remaining	5 seconds
All three phases to zero voltage remaining	50ms or 200ms (SR or ER). Based on load at nameplate ratings with a power factor of 0.7
Multiple Event	
Max Sag Correction Time	5 seconds cumulative usage
Sequential Sag Recovery	0 seconds (assuming cumulative run-time available)
Full Recovery Time	Max 5 minutes
Mechanical	
Enclosure Ratings	NEMA 1 (IP20)
Cable Entry	Top
Cooling	Filtered Forced Air
Access	Front for servicing and connections
Bypass (External)	Panel mounted for PM or servicing ProDySC
Environmental	
Ambient Temperature	0 to 40°C
Storage Temperature	-40°C to 75°C
Relative Humidity	0 to 95% non-condensing
Altitude	Rated current available to 1000m (3300ft). De-rate output current 10% per 1000m, from 1000m to 3000m (9900ft).
Safety	
Agency Approvals	cULus Listed

1. ProDySC has not been evaluated for use in Corner Grounded or Ungrounded Delta Power Systems

2. When using ProDySC with motor drive loads, either insert 3% to 5% line reactance at ProDySC output or limit motor drive loads to 60% of ProDySC rating

Heat Dissipation

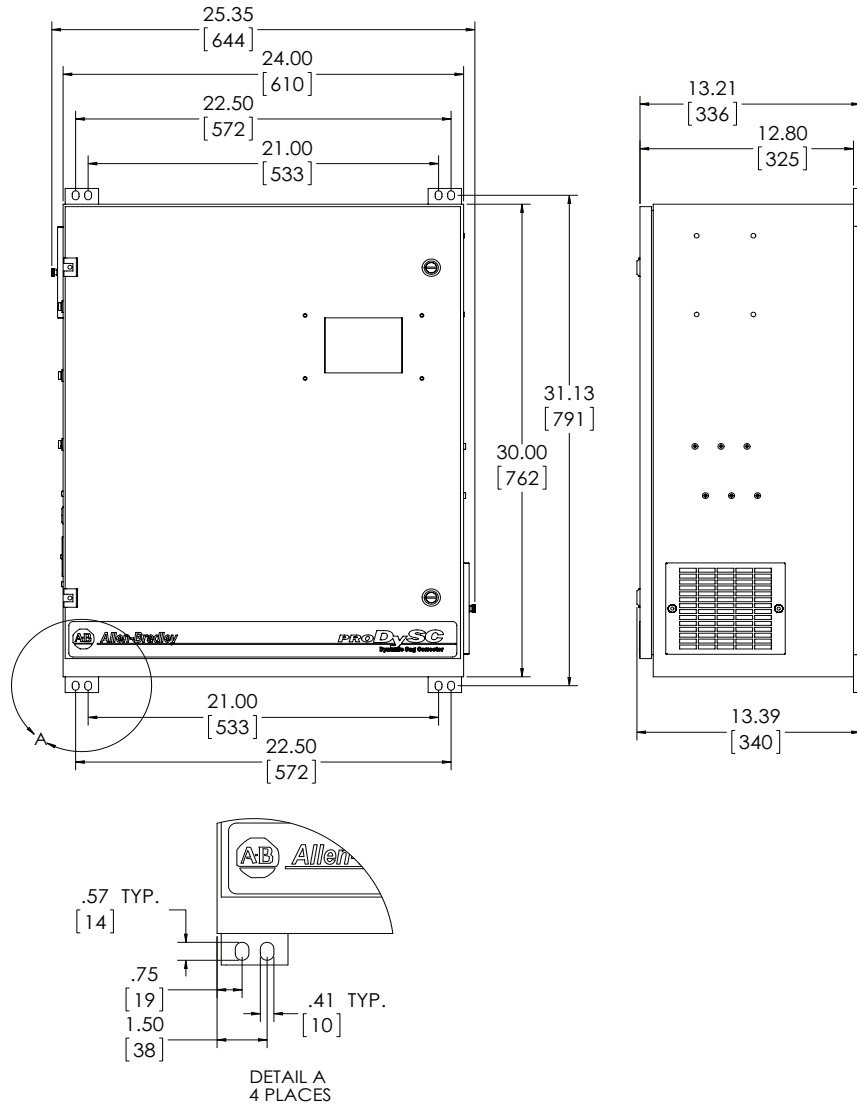
Rating (A)	Heat Loss (J)	Heat Loss (Btu/h)	Efficiency (%)
Standard Run-time (SR)			
25	280	957	97.8%
50	350	1196	97.2%
Extended Run-time (ER)			
25	420	1435	98.2%
50	560	1913	97.7%

Approximate Dimensions

Rating (A)	H x W x D in. [mm]	Weight lbs.[kg]
Standard Run-time (SR)		
25	32 x 26 x 14 [813 x 660 x 356]	277 [126]
50	38 x 38 x 14 [965 x 965 x 356]	330 [150]
Extended Run-time (ER)		
Voltage independent; may be either 3 or 4 wire		
25	32 x 26 x 14 [813 x 660 x 356]	307 [140]
50	38 x 38 x 14 [965 x 965 x 356]	398 [181]

Dimensions are shown in inches (millimeters). Dimensions are not intended to be used for manufacturing purposes.

Figure 28 - 25A Standard/Extended Run



Rockwell Automation Support

Rockwell Automation provides technical information on the Web to assist you in using its products.

At <http://www.rockwellautomation.com/support>, you can find technical manuals, technical and application notes, sample code and links to software service packs, and a MySupport feature that you can customize to make the best use of these tools. You can also visit our Knowledgebase at <http://www.rockwellautomation.com/knowledgebase> for FAQs, technical information, support chat and forums, software updates, and to sign up for product notification updates.

For an additional level of technical phone support for installation, configuration, and troubleshooting, we offer TechConnectSM support programs. For more information, contact your local distributor or Rockwell Automation representative, or visit <http://www.rockwellautomation.com/support/>.

Installation Assistance

If you experience a problem within the first 24 hours of installation, review the information that is contained in this manual. You can contact Customer Support for initial help in getting your product up and running.

United States or Canada	1.440.646.3434
Outside United States or Canada	Use the Worldwide Locator at http://www.rockwellautomation.com/rockwellautomation/support/overview.page , or contact your local Rockwell Automation representative.

New Product Satisfaction Return

Rockwell Automation tests all of its products to help ensure that they are fully operational when shipped from the manufacturing facility. However, if your product is not functioning and needs to be returned, follow these procedures.

United States	Contact your distributor. You must provide a Customer Support case number (call the phone number above to obtain one) to your distributor to complete the return process.
Outside United States	Please contact your local Rockwell Automation representative for the return procedure.

Documentation Feedback

Your comments will help us serve your documentation needs better. If you have any suggestions on how to improve this document, complete this form, publication [RA-DU002](#), available at <http://www.rockwellautomation.com/literature/>.

www.rockwellautomation.com

Power, Control and Information Solutions Headquarters

Americas: Rockwell Automation, 1201 South Second Street, Milwaukee, WI 53204-2496 USA, Tel: (1) 414.382.2000, Fax: (1) 414.382.4444
Europe/Middle East/Africa: Rockwell Automation NV, Pegasus Park, De Kleetlaan 12a, 1831 Diegem, Belgium, Tel: (32) 2 663 0600, Fax: (32) 2 663 0640
Asia Pacific: Rockwell Automation, Level 14, Core F, Cyberport 3, 100 Cyberport Road, Hong Kong, Tel: (852) 2887 4788, Fax: (852) 2508 1846