

Terminal Block Specifications

Bulletin Number 1492

Topic	Page
IEC Screw Type Terminal Blocks	3
IEC Spring Clamp Type Terminal Blocks	24
IEC Terminal Block Accessories	42
NEMA Terminal Blocks	65
NEMA Terminal Block Accessories	69
Power Blocks	78

Additional Resources

These documents contain additional information concerning related products from Rockwell Automation.

Resource	Description
Industrial Automation Wiring and Grounding Guidelines, publication 1770-4.1	Provides general guidelines for installing a Rockwell Automation industrial system.
Product Certifications website, http://www.ab.com	Provides declarations of conformity, certificates, and other certification details.

You can view or download publications at <http://www.rockwellautomation.com/literature/>. To order paper copies of technical documentation, contact your local Allen-Bradley distributor or Rockwell Automation sales representative.



	1492-WM3				1492-WM4				1492-WMD1		
Dimensions are not intended to be used for manufacturing purposes. Note: Height dimension is measured from top of rail to top of terminal block.											
	Single-circuit mini terminal block.				Single-circuit mini terminal block.				Two-circuit mini terminal block.		
Specifications											
Certifications		IEC	CSA	ATEX		IEC	CSA	ATEX		CSA	IEC
Voltage Rating	300V AC/DC	500V AC/DC	300V AC/DC	420V AC/DC	300V AC/DC	500V AC/DC	300V AC/DC	420V AC/DC	300V AC/DC	300V AC/DC	500V AC/DC
Maximum Current	15 A	24 A	15 A	24 A	20 A	32 A	20 A	32 A	15 A	15 A	17.5 A
Wire Range (Rated Cross Section)	#30...14 AWG	0.5...2.5 mm ²	#22...14 AWG	2.5 mm ²	#22...12 AWG	0.5...4.0 mm ²	#22...12 AWG	4.0 mm ²	#22...16 AWG		0.5...1.5 mm ²
Wire Strip Length	0.24 in. (6 mm)				0.39 in. (10 mm)				0.35 in. (9 mm)		
Recommended Tightening Torque	4.2...4.6 lb•in (0.47...0.52 N•m)				4.7...6.2 lb•in (0.53...0.70 N•m)				4.2...4.6 lb•in (0.47...0.52 N•m)		
Density	61 pcs/ft (200/m)				50 pcs/ft (166/m)				61 pcs/ft (200/m)		
Housing Temperature Range	-40...+195 °F (-40...+90 °C)				-40...+195 °F (-40...+90 °C)				-40...+195 °F (-40...+90 °C)		

	1492-WMG3		1492-WMG4		
Dimensions are not intended to be used for manufacturing purposes. Note: Height dimension is measured from top of rail to top of terminal block.					
	Single-circuit mini grounding terminal block.		Single-circuit mini grounding terminal block.		
Specifications					
Certifications	IEC				IEC
Maximum Current	Grounding		Grounding		
Wire Range (Rated Cross Section)	#14 AWG (2.5 mm ²)		#22...12 AWG		0.5...4.0 mm ²
Wire Strip Length	0.31 in. (8 mm)		0.39 in. (10 mm)		
Recommended Tightening Torque	6.2 lb•in (0.7 N•m)		5.3 lb•in (0.6 N•m)		
Density	50 pcs/ft (166 pcs/m)		50 pcs/ft (166 pcs/m)		
Housing Temperature Range	—		-40...+195 °F (-40...+90 °C)		

	1492-J3				1492-J4				1492-J6			
Dimensions are not intended to be used for manufacturing purposes. Note: Height dimension is measured from top of rail to top of terminal block.												
	Feed-through terminal block				Feed-through terminal block				Feed-through terminal block			
Specifications												
Certifications		CSA	IEC	ATEX		CSA	IEC	ATEX		CSA	IEC	ATEX
Voltage Rating	600V AC/DC		800V AC/DC	550V AC/DC	600V AC/DC		800V AC/DC	690V AC/DC	600V AC/DC		800V AC/DC	550V AC/DC
Maximum Current	25 A	20 A	24 A	21 A	35 A	25 A	32 A	28 A	50 A	41 A	36 A	
Wire Range (Rated Cross Section)	#28...12 AWG	#26...12 AWG	2.5 mm ²	2.5 mm ² (#20...14 AWG)	#22...10 AWG	#26...10 AWG	4 mm ²	4 mm ² (#20...12 AWG)	#22...8 AWG	6 mm ²	6 mm ² (#20...10 AWG)	
Wire Strip Length	0.39 in. (10 mm)				0.39 in. (10 mm)				0.47 in. (12 mm)			
Recommended Tightening Torque	4.5...7.1 lb•in (0.5...0.8 N•m)				9.0 lb•in (1.0 N•m)				14.2 lb•in (1.6 N•m)			
Density	59 pcs/ft (196 pcs/m)				49 pcs/ft (163 pcs/m)				37 pcs/ft (123 pcs/m)			
Housing Temperature Range	-58...+248 °F (-50...+120 °C)				-58...+248 °F (-50...+120 °C)				-58...+248 °F (-50...+120 °C)			

	1492-J10				1492-J16				1492-J35			
Dimensions are not intended to be used for manufacturing purposes. Note: Height dimension is measured from top of rail to top of terminal block.												
	Feed-through terminal block				Feed-through terminal block				Feed-through terminal block			
Specifications												
Certifications		CSA	IEC	ATEX		CSA	IEC	ATEX		CSA	IEC	ATEX
Voltage Rating	600V AC/DC		1000V AC/DC	550V AC/DC	600V AC/DC		1000V AC/DC	690V AC/DC	1000V AC/DC		600V AC/DC	1000V AC/DC
Maximum Current	65 A	50 A	57 A	50 A	85 A	76 A	66 A	150 A	120 A	125 A	109 A	
Wire Range (Rated Cross Section)	#18...6 AWG		10 mm ²	10 mm ² (#16...8 AWG)	#18...4 AWG		16 mm ²	16 mm ² (#16...6 AWG)	#12...1/0 AWG	#12...2 AWG	35 mm ²	35 mm ² (#14...2 AWG)
Wire Strip Length	0.47 in. (12 mm)				0.63 in. (16 mm)				0.70 in. (18 mm)			
Recommended Tightening Torque	20.4 lb•in (2.3 N•m)				35.0 lb•in (4.0 N•m)				51.0 lb•in (5.8 N•m)			
Density	30 pcs/ft (100 pcs/m)				25 pcs/ft (83 pcs/m)				19 pcs/ft (62 pcs/m)			
Housing Temperature Range	-58...+248 °F (-50...+120 °C)				-58...+248 °F (-50...+120 °C)				-58...+248 °F (-50...+120 °C)			

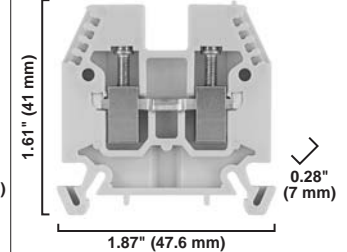
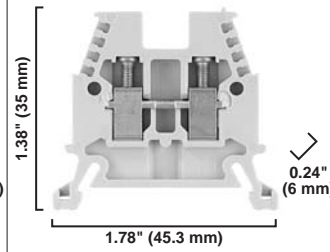
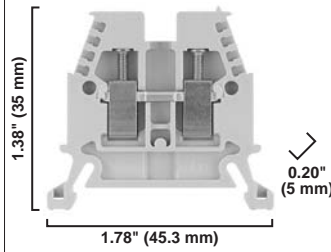
	1492-J50				1492-J70				1492-J120		
Dimensions are not intended to be used for manufacturing purposes. Note: Height dimension is measured from top of rail to top of terminal block.											
	Feed-through terminal block				Feed-through terminal block				Feed-through terminal block		
Specifications											
Certifications		CSA	IEC	ATEX		CSA	IEC	ATEX		CSA	IEC
Voltage Rating	1000V AC/DC	600V AC/DC	1000V AC/DC	690V AC/DC	600V AC/DC		1000V AC/DC	690V AC/DC	1000V AC/DC		
Maximum Current	150 A		150 A	126 A	175 A	205 A	192 A	167 A	228 A	220 A	269 A
Wire Range (Rated Cross Section)	#10...1/0 AWG	#8...1/0 AWG	50 mm ²	#10...1/0 AWG 50 mm ²	#6...2/0 AWG		70 mm ²	#8...2/0 AWG 70 mm ²	#4...250 MCM AWG	#4...4/0 AWG	16...120 mm ²
Wire Strip Length	0.94 in. (24 mm)				0.87 in. (22 mm)				1.06 in. (27 mm)		
Recommended Tightening Torque	31.5 lb•in (3.6 N•m)				87.0 lb•in (9.8 N•m)				141.6 lb•in (16.0 N•m)		
Density	16 pcs/ft (54 pcs/m)				14 pcs/ft (48 pcs/m)				11 pcs/ft (37 pcs/m)		
Housing Temperature Range	-58...+248 °F (-50...+120 °C)				-58...+248 °F (-50...+120 °C)				-58...+248 °F (-50...+120 °C)		

1492-W3

1492-W4

1492-W6

Dimensions are not intended to be used for manufacturing purposes.
 Note: Height dimension is measured from top of rail to top of terminal block.

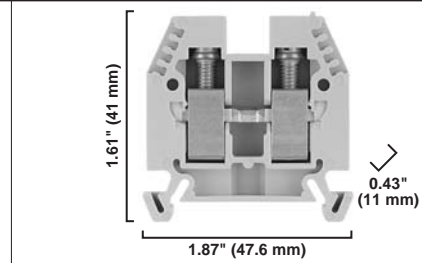
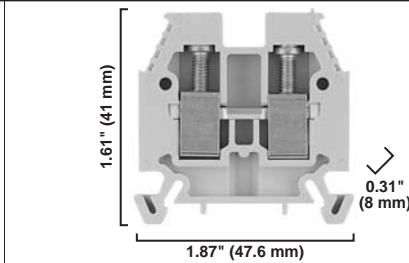


Specifications	Single-circuit terminal block.				Single-circuit terminal block.				Single-circuit terminal block.		
Certifications		IEC	CSA	ATEX		IEC	CSA	ATEX		IEC	CSA
Voltage Rating	600V AC/DC	800V AC/DC	600V AC/DC	550V AC/DC	600V AC/DC	800V AC/DC	600V AC/DC	550V AC/DC	600V AC/DC	800V AC/DC	600V AC/DC
Maximum Current	20 A	24 A	20 A	24 A	30 A	32 A	30 A	32 A	40 A	41 A	40 A
Wire Range (Rated Cross Section)	#30...14 AWG	0.5...2.5 mm ²	#22...14 AWG	2.5 mm ²	#22...10 AWG	0.5...4.0 mm ²	#22...10 AWG	4.0 mm ²	#22...10 AWG	0.5...6.0 mm ²	#22...10 AWG
Wire Strip Length	0.39 in. (10 mm)				0.35 in. (9 mm)				0.47 in. (12 mm)		
Recommended Tightening Torque	5.0...5.6 lb•in (0.6 N•m)				5.0...5.6 lb•in (0.6 N•m)				5.6...6.8 lb•in (0.7 N•m)		
Density	61 pcs/ft (200 pcs/m)				50 pcs/ft (166 pcs/m)				43 pcs/ft (142 pcs/m)		
Housing Temperature Range	-40...+195 °F (-40...+90 °C)				-40...+195 °F (-40...+90 °C)				-40...+195 °F (-40...+90 °C)		

1492-W10

1492-W16S

Dimensions are not intended to be used for manufacturing purposes.
 Note: Height dimension is measured from top of rail to top of terminal block.



Specifications	Single-circuit terminal block.				Single-circuit terminal block.			
Certifications		IEC	CSA	ATEX		IEC	CSA	ATEX
Voltage Rating	600V AC/DC	800V AC/DC	600V AC/DC	550V AC/DC	600V AC/DC	800V AC/DC	600V AC/DC	550V AC/DC
Maximum Current	50 A	57 A	50 A	50 A	85 A	76 A	85 A	76 A
Wire Range (Rated Cross Section)	#22...8 AWG	10 mm ²	#22...8 AWG	0.5...10 mm ²	#14...4 AWG	16 mm ²	#14...4 AWG	2.5...16 mm ²
Wire Strip Length	0.51 in. (13 mm)				0.51 in. (13 mm)			
Recommended Tightening Torque	12.2...13.4 lb•in (1.4 N•m)				18...20 lb•in (2.1 N•m)			
Density	38 pcs/ft (125 pcs/m)				27 pcs/ft (90 pcs/m)			
Housing Temperature Range	-40...+195 °F (-40...+90 °C)				-40...+195 °F (-40...+90 °C)			

	1492-JD3				1492-JD4				1492-JT3M		
Dimensions are not intended to be used for manufacturing purposes. Note: Height dimension is measured from top of rail to top of terminal block.											
	Specifications <i>Two-level, two-circuit feed-through terminal block</i>				Specifications <i>Two-level, two-circuit feed-through terminal block</i>				Specifications <i>Three-level, three-circuit terminal block with ground point</i>		
Certifications											
Voltage Rating	600V AC/DC	300V AC/DC	400V AC/DC	275V AC/DC	600V AC/DC	300V AC/DC	800V AC/DC	550V AC/DC	300V AC/DC		400V AC/DC
Maximum Current	20 A	10 A	24 A	21 A	35 A	30 A	32 A	28 A	10 A		24 A
Wire Range (Rated Cross Section)	#22...12 AWG	26...12 AWG	2.5 mm ²	2.5 mm ² (20...14 AWG)	#26...10 AWG		0.5...4 mm ²	4 mm ² (20...12 AWG)	#22...12 AWG	#26...10 AWG	0.5...2.5 mm ²
Wire Strip Length	0.39 in. (10 mm)				0.315 in. (8 mm)				0.28 in. (7 mm)		
Recommended Tightening Torque	4.5...7.1 lb•in (0.5...0.8 N•m)				4.5 lb•in (0.5 N•m)				4.4 lb•in (0.5 N•m)		
Density	59 pcs/ft (196 pcs/m)				49 pcs/ft (163 pcs/m)				49 pcs/ft (163 pcs/m)		
Housing Temperature Range	-58...+248 °F (-50...+120 °C)				-58...+248 °F (-50...+120 °C)				-58...+248 °F (-50...+120 °C)		

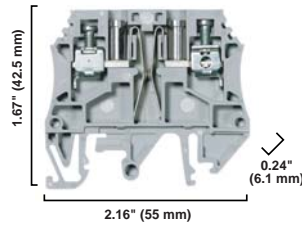
	1492-J2Q			1492-J3TW				1492-J4TW			
Dimensions are not intended to be used for manufacturing purposes. Note: Height dimension is measured from top of rail to top of terminal block.											
	Specifications <i>Feed-through terminal block with 2 connection points on each side</i>			Specifications <i>Feed-through terminal block with 3 connection points, 2 on one side</i>				Specifications <i>Feed-through terminal block with 3 connection points, 2 on one side</i>			
Certifications											
Voltage Rating	300V AC/DC		800V AC/DC	300V AC/DC		800V AC/DC	550V AC/DC	600V AC/DC		500V AC/DC	
Maximum Current	25 A	10 A	17.5 A	—			30 A	32 A			
Maximum Current	Single Side	—		10 A	15 A	17.5 A	15 A	—	—	—	
Maximum Current	Twin Side	—		20 A		24 A	21 A	—	—	—	
Wire Range (Rated Cross Section)	Single Side	#22...12 AWG	#26...12 AWG	1.5 mm ²	#22...12 AWG	26...12 AWG	2.5 mm ²	2.5 mm ² (#20...14 AWG)	#30...10 AWG		
Wire Range (Rated Cross Section)	Twin Side	—		#22...12 AWG	26...12 AWG	1.5 mm ²	1.5 mm ² (#20...16 AWG)	4 mm ²			
Wire Strip Length	0.28 in. (7 mm)			Single Side: 0.39 in. (10 mm) Twin Side: 0.26 in. (7 mm)				0.39 in. (10 mm)			
Recommended Tightening Torque	4.5 lb•in (0.5 N•m)			Single Side: 7.0 lb•in (0.8 N•m) Twin Side: 4.5 lb•in (0.5 N•m)				6.2 lb•in (0.7 N•m)			
Density	59 pcs/ft (196 pcs/m)			59 pcs/ft (196 pcs/m)				59 pcs/ft (196 pcs/m)			
Housing Temperature Range	Insulation Temperature Range	-58...+248 °F (-50...+120 °C)			-58...+248 °F (-50...+120 °C)				-58...+248 °F (-50...+120 °C)		

	1492-J4Q	1492-JD3C	1492-JD4C
<p>Dimensions are not intended to be used for manufacturing purposes. Note: Height dimension is measured from top of rail to top of terminal block.</p>			
	<p>Specifications</p> <p>Single-level feed-through terminal block with 2 connection points on each side</p>	<p>Two-level feed-through terminal block with commoning bar</p>	<p>Two-level feed-through terminal block with commoning bar</p>
Certifications	CSA IEC	CSA IEC ATEX	CSA IEC ATEX
Voltage Rating	600V AC/DC	600V AC/DC	600V AC/DC
Maximum Current	30 A	20 A	35 A
Wire Range (Rated Cross Section)	#30...10 AWG	#22...12 AWG	#26...10 AWG
Wire Strip Length	0.39 in. (10 mm)	0.39 in. (10 mm)	0.28 in. (7 mm)
Recommended Tightening Torque	6.2 lb•in (0.7 N•m)	4.5...7.1 lb•in (0.5...0.8 N•m)	4.5 lb•in (0.5 N•m)
Density	49 pcs/ft (163 pcs/m)	59 pcs/ft (196 pcs/m)	49 pcs/ft (163 pcs/m)
Housing Temperature Range	-58...+248 °F (-50...+120 °C)	-58...+248 °F (-50...+120 °C)	-58...+248 °F (-50...+120 °C)

	1492-W4TW	1492-WR3	1492-J4M
<p>Dimensions are not intended to be used for manufacturing purposes. Note: Height dimension is measured from top of rail to top of terminal block.</p>			
	<p>Specifications</p> <p>Feed-through terminal block with 3 connection points, 2 on one side</p>	<p>Single-circuit terminal block with terminals on common side.</p>	<p>Motor connection terminal block cluster with 3 feeds and ground</p>
Certifications	CSA IEC	CSA IEC	Certifications on individual blocks (1492-J4, JG4)
Voltage Rating	600V AC/DC	300V AC/DC	500V AC/DC
Maximum Current	30 A	15 A	15 A
Wire Range (Rated Cross Section)	#18...10 AWG	#22...14 AWG	#22...10 AWG
Wire Strip Length	0.35 in. (9 mm)	0.39 in. (10 mm)	0.39 in. (10 mm)
Recommended Tightening Torque	5.0...5.6 lb•in (0.6 N•m)	5.0...5.6 lb•in (0.6 N•m)	9.0 lb•in (1.0 N•m)
Density	50 pcs/ft (166 pcs/m)	61 pcs/ft (200 pcs/m)	12 pcs/ft (40 pcs/m)
Housing Temperature Range	-40...+195 °F (-40...+90 °C)	-40...+195 °F (-40...+90 °C)	-58...+248 °F (-50...+120 °C)

1492-J4CTB

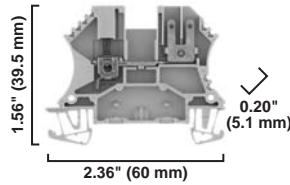
Dimensions are not intended to be used for manufacturing purposes.
Note: Height dimension is measured from top of rail to top of terminal block.



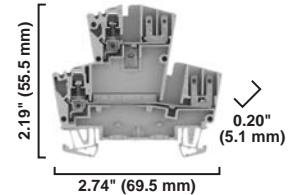
Specifications	<i>Single-level feed through block with circuit-break test/measurement plug capability</i>		
Certifications	UL	CSA	IEC
Voltage Rating	300V AC/DC		500V AC/DC
Maximum Current	8 A		6 A
Wire Range (Rated Cross Section)	#26...10 AWG		0.5...4 mm ²
Wire Strip Length	0.394 in. (10 mm)		
Recommended Tightening Torque	4.4...7.1 lb•in (0.5...0.8 N•m)		
Density	49 pcs/ft (163 pcs/m)		
Housing Temperature Range	-58...+248 °F (-50...+120 °C)		

1492-J3F

Dimensions are not intended to be used for manufacturing purposes.
Note: Height dimension is measured from top of rail to top of terminal block.



1492-JD3F

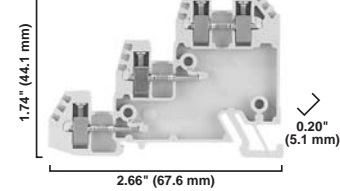
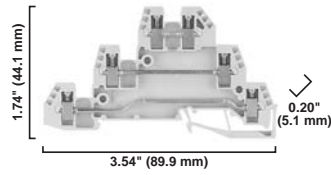


Specifications	<i>Feed-through terminal block with stab connections on one side</i>			<i>Two-level, two-circuit feed-through terminal block with stab connections on one side</i>		
Certifications	UL	CSA	IEC	UL	CSA	IEC
Voltage Rating	300V AC/DC		500V AC/DC	300V AC/DC		400V AC/DC
Maximum Current	16 A	10 A	16 A (2 x 8)	10 A		16 A (2 x 8)
Wire Range (Rated Cross Section)	#22...12 AWG	#26...12 AWG	2.5 mm ²	#22...12 AWG	#26...12 AWG	2.5 mm ²
Wire Strip Length	0.39 in. (10 mm)			0.39 in. (10 mm)		
Recommended Tightening Torque	4.5...7.1 lb•in (0.5...0.8 N•m)			4.5...7.1 lb•in (0.5...0.8 N•m)		
Density	59 pcs/ft (196 pcs/m)			59 pcs/ft (196 pcs/m)		
Housing Temperature Range	-58...+248 °F (-50...+120 °C)			-58...+248 °F (-50...+120 °C)		

1492-WTF3...

1492-WTS3...

Dimensions are not intended to be used for manufacturing purposes.
Note: Height dimension is measured from top of rail to top of terminal block.



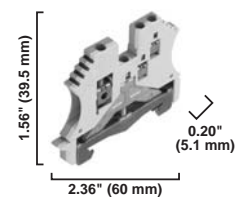
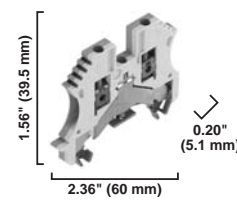
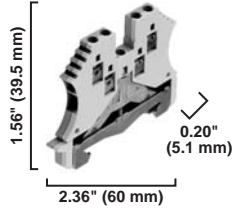
Specifications	Three-circuit terminal block.			Three-level sensor block.		
	UL	CSA	IEC	UL	CSA	IEC
Certifications	UL	CSA	IEC	UL	CSA	IEC
Voltage Rating	300V AC/DC		250V AC/DC	300V AC/DC		250V AC/DC
Maximum Current	10 A		24 A	10 A		24 A
Wire Range (Rated Cross Section)	#26...14 AWG		0.5...2.5mm ²	#26...14 AWG		0.5...2.5mm ²
Recommended Tightening Torque	4.2...4.6 lb•in (0.5 N•m)			4.2...4.6 lb•in (0.5 N•m)		
Density	60 pcs/ft (197 pcs/m)			60 pcs/ft (197 pcs/m)		
Housing Temperature Range	-40...+195 °F (-40...+90 °C)			-40...+195 °F (-40...+90 °C)		
Indicator Type	No indicator			No indicator		
WTF3LP/WTS3LP	Red LED for PNP devices (10...50V)			Red LED for PNP devices (10...50V)		
WTF3LN/WTS3LN	Red LED for NPN devices (10...50V)			Red LED for NPN devices (10...50V)		
Leakage Current	—			—		
WTF3LP/WTS3LP	2.69 mA @ 50V			2.69 mA @ 50V		
WTF3LN/WTS3LN	2.69 mA @ 50V			2.69 mA @ 50V		
Wire Strip Length	0.31 in. (8 mm)			0.31 in. (8 mm)		

1492-JG2Q

1492-JG3

1492-JG3TW

Dimensions are not intended to be used for manufacturing purposes.
Note: Height dimension is measured from top of rail to top of terminal block.



Specifications	Feed-through grounding terminal block with 2 connection points on each side			Feed-through grounding terminal block				Feed-through grounding terminal block with 3 connection points, 2 on one side			
	UL	CSA	IEC	UL	CSA	IEC	ATEX	UL	CSA	IEC	ATEX
Certifications	UL	CSA	IEC	UL	CSA	IEC	ATEX	UL	CSA	IEC	ATEX
Voltage Rating	—			—				—			
Maximum Current	Grounding			Grounding				Grounding			
Wire Range (Rated Cross Section)	#22...14 AWG	1.5 mm ²		#22...12 AWG	2.5 mm ²		2.5 mm ² (#20...14 AWG)	Single Side: #22...12 AWG	2.5 mm ²		2.5 mm ² (#20...14 AWG)
								Twin Side: #26...12 AWG	1.5 mm ²		1.5 mm ² (#20...16 AWG)
Wire Strip Length	0.28 in. (7 mm)			0.39 in. (10 mm)				Single Side: 0.39 in. (10 mm) Twin Side: 0.28 in. (7 mm)			
Recommended Tightening Torque	5.0 lb•in (0.6 N•m)			7.1 lb•in (0.8 N•m)				Single Side: 7.1 lb•in (0.8 N•m)			
Mounting Torque — Center Screw	3.5...5.3 lb•in (0.4...0.6 N•m)			3.5...6.2 lb•in (0.4...0.6 N•m)				Twin Side: 4.5 lb•in (0.5 N•m)			
Density	59 pcs/ft (196 pcs/m)			59 pcs/ft (196 pcs/m)				59 pcs/ft (196 pcs/m)			
Housing Temperature Range	-58...+248 °F (-50...+120 °C)			-58...+248 °F (-50...+120 °C)				-58...+248 °F (-50...+120 °C)			

	1492-JG4				1492-JG4TW			1492-JG4Q		
<p>Dimensions are not intended to be used for manufacturing purposes. Note: Height dimension is measured from top of rail to top of terminal block.</p>										
	<p>Specifications</p> <p><i>Feed-through grounding terminal block</i></p>				<p><i>Single-level grounding terminal block with 3 connection points, 2 on one side</i></p>			<p><i>Single-level grounding terminal block with two connection points on each side</i></p>		
Certifications		CSA	IEC	ATEX		CSA	IEC		CSA	IEC
Voltage Rating	—	—	—	—	—	—	—	—	—	—
Maximum Current	Grounding				Grounding			Grounding		
Wire Range (Rated Cross Section)	#22...10 AWG	4 mm ²	4 mm ² (#20...12 AWG)		#30...10 AWG	0.5...4 mm ²		#30...10 AWG	0.5...4 mm ²	
Wire Strip Length	0.39 in. (10 mm)				0.394 in. (10 mm)			0.394 in. (10 mm)		
Recommended Tightening Torque	9 lb•in (1.0 N•m)				6.2 lb•in (0.7 N•m)			6.2 lb•in (0.7 N•m)		
Mounting Torque - Center Screw	4.4...7.1 lb•in (0.5...0.8 N•m)				—			—		
Density	49 pcs/ft (163 pcs/m)				49 pcs/ft (163 pcs/m)			49 pcs/ft (163 pcs/m)		
Housing Temperature Range	-58...+248 °F (-50...+120 °C)				-58...+248 °F (-50...+120 °C)			-58...+248 °F (-50...+120 °C)		

	1492-JG6				1492-JG10			
<p>Dimensions are not intended to be used for manufacturing purposes. Note: Height dimension is measured from top of rail to top of terminal block.</p>								
	<p>Specifications</p> <p><i>Feed-through grounding terminal block</i></p>				<p><i>Feed-through grounding terminal block</i></p>			
Certifications		CSA	IEC	ATEX		CSA	IEC	ATEX
Voltage Rating	—	—	—	—	—	—	—	—
Maximum Current	Grounding				Grounding			
Wire Range (Rated Cross Section)	#22...8 AWG	6 mm ²	6 mm ² (#20...10 AWG)		#16...6 AWG	10 mm ²	10 mm ² (#16...8 AWG)	
Wire Strip Length	0.47 in. (12 mm)				0.47 in. (12 mm)			
Recommended Tightening Torque	14.2 lb•in (1.6 N•m)				20.4 lb•in (2.3 N•m)			
Mounting Torque — Center Screw	4.4...8.9 lb•in (0.5...1.0 N•m)				4.4...8.9 lb•in (0.5...1.0 N•m)			
Density	37 pcs/ft (123 pcs/m)				30 pcs/ft (100 pcs/m)			
Housing Temperature Range	-58...+248 °F (-50...+120 °C)				-58...+248 °F (-50...+120 °C)			

	1492-JG16				1492-JG35				1492-JG50			
<p>Dimensions are not intended to be used for manufacturing purposes. Note: Height dimension is measured from top of rail to top of terminal block.</p>												
	<p>Specifications</p> <p><i>Feed-through grounding terminal block</i></p>				<p><i>Feed-through grounding terminal block</i></p>				<p><i>Feed-through grounding terminal block</i></p>			
Certifications		CSA	IEC	ATEX		CSA	IEC	ATEX		CSA	IEC	ATEX
Voltage Rating	—	—	—	—	—	—	—	—	—	—	—	—
Maximum Current	Grounding				Grounding				Grounding			
Wire Range (Rated Cross Section)	#24...4 AWG	16 mm ²	16 mm ² (#16...6 AWG)		#12...1 AWG	#12...2 AWG	35 mm ²	35 mm ² (#14...2 AWG)	#10...1/0 AWG	#14...1/0 AWG	50 mm ²	50 mm ² (10...1/0 AWG)
Wire Strip Length	0.63 in. (16 mm)				0.70 in. (18 mm)				0.94 in. (24 mm)			
Recommended Tightening Torque	35.0 lb•in (4.0 N•m)				51.0 lb•in (5.8 N•m)				31.5 lb•in (3.6 N•m)			
Mounting Torque — Center Screw	10.6...21.2 lb•in (1.2...2.4 N•m)				10.6...21.2 lb•in (1.2...2.4 N•m)				17.7...35.4 lb•in (2.0...4.0 N•m)			
Density	25 pcs/ft (83 pcs/m)				19 pcs/ft (62 pcs/m)				16 pcs/ft (54 pcs/m)			
Housing Temperature Range	-58...+248 °F (-50...+120 °C)				-58...+248 °F (-50...+120 °C)				-58...+248 °F (-50...+120 °C)			

	1492-JG70	1492-JG120	1492-JDG3
Dimensions are not intended to be used for manufacturing purposes. Note: Height dimension is measured from top of rail to top of terminal block.			
	<i>Feed-through grounding terminal block</i>	<i>Feed-through grounding terminal block</i>	<i>Two-circuit terminal block with one feed-through and one grounding circuit</i>
Certifications			
Voltage Rating	—	—	300V AC/DC 400V AC/DC 275V AC/DC
Maximum Current	Grounding	—	20 A 24 A 21 A
Wire Range (Rated Cross Section)	#6...2/0 AWG 70 mm ² (#8...2/0 AWG)	#4...3/0 AWG #4...4/0 AWG 16...95 mm ²	#22...12 AWG 2.5 mm ² (#20...14 AWG)
Wire Strip Length	0.87 in. (22 mm)	1.06 in. (27 mm)	0.39 in. (10 mm)
Recommended Tightening Torque	87.0 lb•in (9.8 N•m)	88.5 lb•in (10 N•m)	4.5...7.1 lb•in (0.5...0.8 N•m)
Mounting Torque — Center Screw	17.7...35.4 lb•in (2.0...4.0 N•m)	—	—
Density	14 pcs/ft (48 pcs/m)	11 pcs/ft (37 pcs/m)	59 pcs/ft (196 pcs/m)
Housing Temperature Range	-58...+248 °F (-50...+120 °C)	-58...+248 °F (-50...+120 °C)	-58...+248 °F (-50...+120 °C)

	1492-JDG3C	1492-JDG4	1492-JDG4C
Dimensions are not intended to be used for manufacturing purposes. Note: Height dimension is measured from top of rail to top of terminal block.			
	<i>Two-level grounding terminal block with commoning bar</i>	<i>Two-circuit terminal block with one feed-through and one grounding</i>	<i>Two-level grounding terminal block with commoning bar</i>
Certifications			
Voltage Rating	—	600V AC/DC 300V AC/DC 800V AC/DC 550V AC/DC	—
Maximum Current	Grounding	35 A 30 A 32 A 28 A	Grounding
Wire Range (Rated Cross Section)	#22...12 AWG #26...12 AWG 2.5 mm ² 2.5 mm ² (#20...14 AWG)	#26...10 AWG 4 mm ² 4 mm ²	#26...10 AWG 4 mm ² 4 mm ²
Wire Strip Length	0.39 in. (10 mm)	0.31 in. (8 mm)	0.31 in. (8 mm)
Recommended Tightening Torque	4.5...7.1 lb•in (0.5...0.8 N•m)	4.5...8.8 lb•in (0.5...1.0 N•m)	4.5...8.8 lb•in (0.5...1.0 N•m)
Mounting Torque — Center Screw	—	—	—
Density	59 pcs/ft (196 pcs/m)	49 pcs/ft (163 pcs/m)	49 pcs/ft (163 pcs/m)
Housing Temperature Range	-58...+248 °F (-50...+120 °C)	-58...+248 °F (-50...+120 °C)	-58...+248 °F (-50...+120 °C)

	1492-WG4				1492-WG6				1492-WG10S		
<p>Dimensions are not intended to be used for manufacturing purposes. Note: Height dimension is measured from top of rail to top of terminal block.</p>											
	<p>1.38" (35 mm)</p> <p>1.89" (48 mm)</p> <p>0.24" (6 mm)</p>				<p>1.61" (41 mm)</p> <p>1.89" (48 mm)</p> <p>0.28" (7 mm)</p>				<p>1.61" (41 mm)</p> <p>1.89" (48 mm)</p> <p>0.31" (8 mm)</p>		
Specifications	Single-circuit grounding terminal block.				Single-circuit grounding terminal block.				Single-circuit grounding terminal block.		
Certifications		IEC	CSA	ATEX		IEC	CSA	ATEX		CSA	IEC
Voltage Rating	—	—	—	—	—	—	—	—	—	—	—
Maximum Current	Grounding				Grounding				Grounding		
Wire Range (Rated Cross Section)	#22...12 AWG	4 mm ²	#22...12 AWG	4 mm ²	#22...10 AWG	6 mm ²	#22...10 AWG	6 mm ²	#22...8 AWG	#22...8 AWG	10 mm ²
Wire Strip Length	0.43 in. (11 mm)				0.47 in. (12 mm)				0.43 in. (11 mm)		
Recommended Tightening Torque	5.6...6.8 lb•in (0.7 N•m)				5.6...6.8 lb•in (0.7 N•m)				7.1 lb•in (0.8 N•m)		
Density	50 pcs/ft (166 pcs/m)				43 pcs/ft (142 pcs/m)				38 pcs/ft (125 pcs/m)		
Housing Temperature Range	-40...+195 °F (-40...+90 °C)				-40...+195 °F (-40...+90 °C)				-40...+195 °F (-40...+90 °C)		

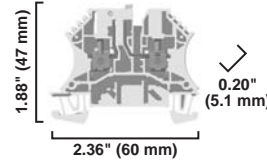
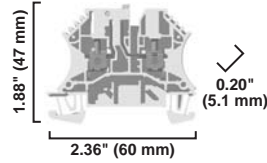
	1492-WG16S		
<p>Dimensions are not intended to be used for manufacturing purposes. Note: Height dimension is measured from top of rail to top of terminal block.</p>			
	<p>1.6" (41 mm)</p> <p>2.14" (54.3 mm)</p> <p>0.51" (13 mm)</p>		
Specifications	Single-circuit grounding terminal block.		
Certifications		CSA	IEC
Voltage Rating	—	—	—
Maximum Current	Grounding		
Wire Range (Rated Cross Section)	#14...4 AWG		2.5...16 mm ²
Wire Strip Length	0.51 in. (13 mm)		
Recommended Tightening Torque	18...20 lb•in (2.1 N•m)		
Center Screw Mounting Torque	10.6 lb•in (1.2 N•m)		
Density	27 pcs/ft (90 pcs/m)		
Housing Temperature Range	-40...+195 °F (-40...+90 °C)		

1492-JKD3

1492-JKD3TP

1492-JKD4

Dimensions are not intended to be used for manufacturing purposes.
Note: Height dimension is measured from top of rail to top of terminal block.



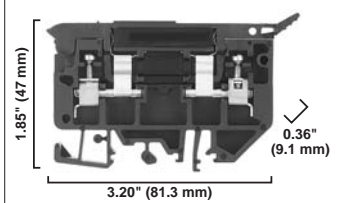
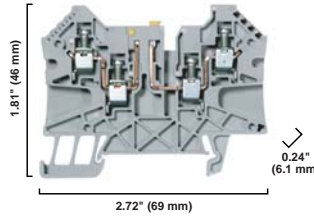
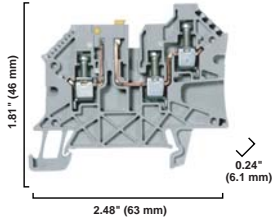
Specifications	<i>Feed through terminal block with knife disconnect</i>			<i>Feed-through terminal block with knife disconnect and test screws</i>			<i>Feed-through terminal block with knife disconnect</i>		
Certifications		CSA	IEC		CSA	IEC		CSA	IEC
Voltage Rating	300V AC/DC		500V AC/DC	300V AC/DC		500V AC/DC	600V AC/DC	300V AC/DC	400V AC/DC
Maximum Current	10 A		24 A	10 A		24 A	22 A	10 A	32 A
Wire Range (Rated Cross Section)	#22...12 AWG		2.5 mm ²	#22...12 AWG		2.5 mm ²	#22...10 AWG		0.05...4.0 mm ²
Fuse Size (Dummy Fuse Supplied)	—			—			—		
Wire Strip Length	0.39 in. (10 mm)			0.39 in. (10 mm)			0.512 in. (13 mm)		
Recommended Tightening Torque	7.1 lb•in. (0.8 N•m)			7.1 lb•in. (0.8 N•m)			9.0 lb•in. (1.0 N•m)		
Density	49 pcs/ft (163 pcs/m)			49 pcs/ft (163 pcs/m)			49 pcs/ft (163 pcs/m)		
Housing Temperature Range	-58...+248 °F (-50...+120 °C)			-58...+248 °F (-50...+120 °C)			-58...+248 °F (-50...+120 °C)		

1492-JKD4TW

1492-JKD4Q

1492-H7

Dimensions are not intended to be used for manufacturing purposes.
Note: Height dimension is measured from top of rail to top of terminal block.



Specifications	<i>Feed-through terminal block with knife disconnect; 3 connection points, 2 on one side</i>			<i>Feed-through terminal block with knife disconnect; 2 connection points on each side</i>			<i>Handle-style isolating terminal block</i>		
Certifications		CSA	IEC		CSA	IEC		CSA	IEC
Voltage Rating	600V AC/DC		500V AC/DC	600V AC/DC		500V AC/DC	300V AC/DC	300V AC/DC	500V AC/DC
Maximum Current	25 A		30 A	25 A		30 A	15 A	15 A	15 A
Wire Range (Rated Cross Section)	#30...10 AWG		0.5...4 mm ²	#30...10 AWG		0.5...4 mm ²	#30...10 AWG		0.5...4.0 mm ²
Fuse Size (Dummy Fuse Supplied)	—			—			1/4 x 1-1/4 in.		
Wire Strip Length	0.39 in. (10 mm)			0.39 in. (10 mm)			0.38 in. (9.7 mm)		
Recommended Tightening Torque	6.2 lb•in (0.7 N•m)			6.2 lb•in (0.7 N•m)			7.1 lb•in (0.8 N•m)		
Density	49 pcs/ft (163 pcs/m)			49 pcs/ft (163 pcs/m)			33 pcs/ft (109 pcs/m)		
Housing Temperature Range	-58...+248 °F (-50...+120 °C)			-58...+248 °F (-50...+120 °C)			-40...+221 °F (-40...+105 °C)		

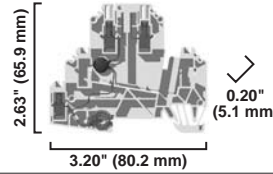
	1492-J3P			1492-J3PTP			1492-JD3P		
<p>Dimensions are not intended to be used for manufacturing purposes. Note: Height dimension is measured from top of rail to top of terminal block.</p>									
	<p>Specifications</p> <p>Selectable component plug-in terminal block</p>			<p>Selectable component plug-in terminal block with test plug socket</p>			<p>Two Circuit selectable component plug-in terminal block</p>		
Certifications		CSA	IEC		CSA	IEC		CSA	IEC
Voltage Rating	600V AC/DC	300V AC/DC	500V AC/DC	300V AC/DC		500V AC/DC	300V AC/DC		500V AC/DC
Maximum Current	20 A	10 A	24 A	20 A	10 A	24 A	20 A		24 A
Wire Range (Rated Cross Section)	#30...12 AWG		2.5 mm ²	#30...12 AWG		2.5 mm ²	#24...12 AWG	#30...12 AWG	2.5 mm ²
Wire Strip Length	0.39 in. (10 mm)			0.39 in. (10 mm)			0.31 in. (8 mm)		
Recommended Tightening Torque	4.4 lb•in (0.5 N•m)			4.4 lb•in (0.5 N•m)			4.4 lb•in (0.5 N•m)		
Density	59 pcs/ft (196 pcs/m)			59 pcs/ft (196 pcs/m)			59 pcs/ft (196 pcs/m)		
Housing Temperature Range	-58...+248 °F (-50...+120 °C)			-58...+248 °F (-50...+120 °C)			-58...+248 °F (-50...+120 °C)		

	1492-JD3PTP			1492-JD3PSS			1492-JD3PSSTP		
<p>Dimensions are not intended to be used for manufacturing purposes. Note: Height dimension is measured from top of rail to top of terminal block.</p>									
	<p>Specifications</p> <p>Two-circuit selectable component plug-in terminal block with test plug socket</p>			<p>Two-circuit selectable component plug-in terminal block with internal surge suppressor</p>			<p>Two-circuit selectable component plug-in terminal block with internal surge suppressor and test plug socket</p>		
Certifications		CSA	IEC		CSA	IEC		CSA	IEC
Voltage Rating	300V AC/DC		500V AC/DC	300V AC/DC		115V AC	300V AC/DC		115V AC/DC
Maximum Current	20 A		24 A	20 A		24 A	20 A		24 A
Wire Range (Rated Cross Section)	#24...12 AWG	#30...12 AWG	2.5 mm ²	#24...12 AWG	#30...12 AWG	2.5 mm ²	#24...12 AWG	#30...12 AWG	2.5 mm ²
Wire Strip Length	0.31 in. (8 mm)			0.31 in. (8 mm)			0.31 in. (8 mm)		
Recommended Tightening Torque	4.4 lb•in (0.5 N•m)			4.4 lb•in (0.5 N•m)			4.4 lb•in (0.5 N•m)		
Density	59 pcs/ft (196 pcs/m)			59 pcs/ft (196 pcs/m)			59 pcs/ft (196 pcs/m)		
Housing Temperature Range	-58...+248 °F (-50...+120 °C)			-58...+248 °F (-50...+120 °C)			-58...+248 °F (-50...+120 °C)		

	1492-JDG3P			1492-JDG3PTP			1492-JDG3PSS		
<p>Dimensions are not intended to be used for manufacturing purposes. Note: Height dimension is measured from top of rail to top of terminal block.</p>									
	<p>Specifications</p> <p>Two-circuit block with ground connection</p>			<p>Two-circuit block with test plug socket and ground connection</p>			<p>Single-circuit block with MOV to ground</p>		
Certifications		CSA	IEC		CSA	IEC		CSA	IEC
Voltage Rating	300V AC/DC		500V AC/DC	300V AC/DC		500V AC/DC	300V AC/DC		115V AC
Maximum Current	20 A		24 A	20 A		24 A	20 A		24 A
Wire Range (Rated Cross Section)	#24...12 AWG	#30...12 AWG	2.5 mm ²	#24...12 AWG	#30...12 AWG	2.5 mm ²	#24...12 AWG	#30...12 AWG	2.5 mm ²
Wire Strip Length	0.31 in. (8 mm)			0.31 in. (8 mm)			0.31 in. (8 mm)		
Recommended Tightening Torque	4.4 lb•in (0.5 N•m)			4.4 lb•in (0.5 N•m)			4.4 lb•in (0.5 N•m)		
Density	59 pcs/ft (196 pcs/m)			59 pcs/ft (196 pcs/m)			59 pcs/ft (196 pcs/m)		
Housing Temperature Range	-58...+248 °F (-50...+120 °C)			-58...+248 °F (-50...+120 °C)			-58...+248 °F (-50...+120 °C)		

1492-JDG3PSSTP

Dimensions are not intended to be used for manufacturing purposes.
 Note: Height dimension is measured from top of rail to top of terminal block.



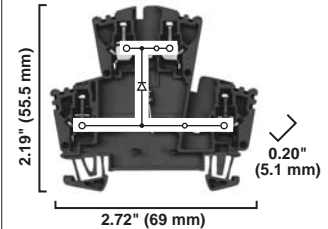
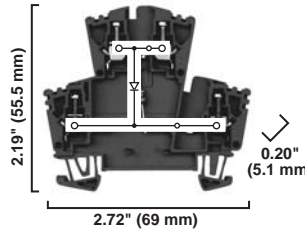
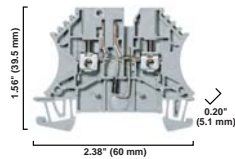
Specifications	Single-circuit block with MOV to ground and test plug socket		
Certifications		CSA	IEC
Voltage Rating	300V AC/DC		115V AC
Maximum Current	20 A		24 A
Wire Range (Rated Cross Section)	#24...12 AWG	#30...12 AWG	2.5 mm ²
Wire Strip Length	0.31 in. (8 mm)		
Recommended Tightening Torque	4.4 lb•in (0.5 N•m)		
Density	59 pcs/ft (196 pcs/m)		
Housing Temperature Range	-58...+248 °F (-50...+120 °C)		

1492-J3DF

1492-JD3DF★

1492-JD3DR★

Dimensions are not intended to be used for manufacturing purposes.
 Note: Height dimension is measured from top of rail to top of terminal block.

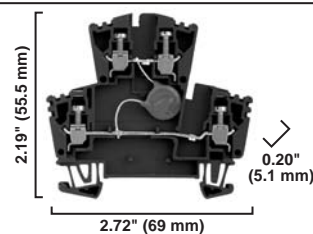
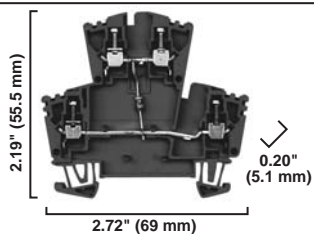


Specifications	Single-level diode forward terminal block with test plug sockets			Two-Level terminal block with a diode in forward bias between the levels.			Two-Level terminal block with a diode in reverse bias between the levels.		
Certifications		CSA	IEC		CSA	IEC		CSA	IEC
Voltage Rating	300V AC/DC		500V AC/DC	600V AC/DC	300V AC/DC	400V AC/DC	600V AC/DC	300V AC/DC	400V AC/DC
Diode Reverse Voltage Rating	—			1000V			1000V		
Maximum Current	20 A	10 A	6 A	20 A	10 A	—	20 A	10 A	—
Diode Current★	—			1 A			1 A		
Resistor Type	—			—			—		
Resistor Value	—			—			—		
Current through Busbar	10 A	1 A	14 A	10 A			10 A		
Wire Range (Rated Cross Section)	#26...12 AWG		0.5...2.5 mm ²	#22...12 AWG	#26...12 AWG	2.5 mm ²	#22...12 AWG	#26...12 AWG	2.5 mm ²
Wire Strip Length	0.394 in. (10 mm)			0.39 in. (10 mm)			0.39 in. (10 mm)		
Recommended Tightening Torque	4.4...6.2 lb•in (0.5...0.7 N•m)			4.5...7.1 lb•in (0.5...0.8 N•m)			4.5...7.1 lb•in (0.5...0.8 N•m)		
Density	59 pcs/ft (196 pcs/m)			59 pcs/ft (196 pcs/m)			59 pcs/ft (196 pcs/m)		
Housing Temperature Range	-58...+248 °F (-50...+120 °C)			-58...+248 °F (-50...+120 °C)			-58...+248 °F (-50...+120 °C)		

1492-JD3RC001 ★

1492-JD3SS

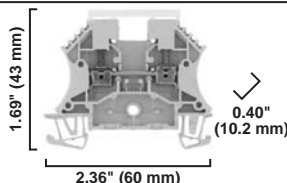
Dimensions are not intended to be used for manufacturing purposes.
 Note: Height dimension is measured from top of rail to top of terminal block.



Specifications	<i>Two-level terminal block with a 249 ohm resistor between the levels</i>			<i>Two-level terminal block with an MOV between the levels.</i>		
Certifications						
Voltage Rating	600V AC/DC	300V AC/DC	400V AC/DC	600V AC/DC	115V AC/DC	
Resistor Type	Precision Wire Wound			—		
Resistor Value	249 Ω, 1/2 W			—		
Current through Busbar	20 A	10 A	—	20 A	10 A	24 A
Wire Range (Rated Cross Section)	#22...12 AWG	#26...12 AWG	2.5 mm ²	#22...12 AWG	#26...12 AWG	2.5 mm ²
Wire Strip Length	0.39 in. (10 mm)			0.39 in. (10 mm)		
Recommended Tightening Torque	4.5...7.1 lb•in (0.5...0.8 N•m)			4.5...7.1 lb•in (0.5...0.8 N•m)		
Density	59 pcs/ft (196 pcs/m)			59 pcs/ft (196 pcs/m)		
Housing Temperature Range	-58...+248 °F (-50...+120 °C)			-58...+248 °F (-50...+120 °C)		

1492-JTC3...

Dimensions are not intended to be used for manufacturing purposes.
 Note: Height dimension is measured from top of rail to top of terminal block.



Specifications	<i>Two circuit terminal block with current bars made of thermocouple material</i>	
Certifications		
Voltage Rating	—	55V AC/DC
Wire Range (Rated Cross Section)	#30...12 AWG 2.5 mm ²	#20...14 AWG 2.5 mm ²
Wire Strip Length	0.39 in. (10 mm)	
Recommended Tightening Torque	3.5...5.3 lb•in (0.4...0.6 N•m)	
Density	29 pcs/ft (98 pcs/m)	
Housing Temperature Range	-58...+248 °F (-50...+120 °C)	

Neutral Disconnect and Installation Blocks

	1492-JDG3ND			1492-JD3N			1492-JDG3N		
Dimensions are not intended to be used for manufacturing purposes. Note: Height dimension is measured from top of rail to top of terminal block.									
Specifications	3-Level terminal block with neutral disconnect and ground connection			2-Level feed-through terminal block for installation applications			3-Level terminal block with 2 feed-through and ground connection		
Certifications		CSA	IEC		CSA	IEC		CSA	IEC
Voltage Rating	300V AC/DC		400V AC/DC	300V AC/DC		400V AC/DC	300V AC/DC		400V AC/DC
Maximum Current	15 A	10 A	24 A	15 A	10 A	24 A	15 A	10 A	24 A
Wire Range (Rated Cross Section)	#22...12 AWG	#26...12 AWG	2.5 mm ²	#22...12 AWG	#26...12 AWG	2.5 mm ²	#22...12 AWG	#26...12 AWG	2.5 mm ²
Wire Strip Length	0.31 in. (8 mm)			0.31 in. (8 mm)			0.31 in. (8 mm)		
Recommended Tightening Torque	7.0 lb•in (0.8 N•m)			7.0 lb•in (0.8 N•m)			7.0 lb•in (0.8 N•m)		
Density	49 pcs/ft (163 pcs/m)			49 pcs/ft (163 pcs/m)			49 pcs/ft (163 pcs/m)		
Housing Temperature Range	-58...+248 °F (-50...+120 °C)			-58...+248 °F (-50...+120 °C)			-58...+248 °F (-50...+120 °C)		

Single-Circuit Neutral Disconnect Blocks

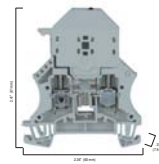
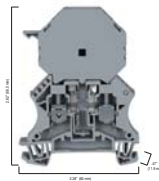
	1492-J3ND			1492-J4ND			1492-J16ND		
Dimensions are not intended to be used for manufacturing purposes. Note: Height dimension is measured from top of rail to top of terminal block.									
Specifications	Single-level screw neutral disconnect terminal block			Single-level screw neutral disconnect terminal block			Single-level screw neutral disconnect terminal block		
Certifications		CSA	IEC		CSA	IEC		CSA	IEC
Voltage Rating	600V AC/DC		400V AC/DC	600V AC/DC		400V AC/DC	300V AC/DC		400V AC/DC
Maximum Current	25 A	20 A	24 A	35 A	25 A	32 A	65 A		76 A
Wire Range (Rated Cross Section)	#22...12 AWG	#26...12 AWG	2.5 mm ²	#22...10 AWG	#26...10 AWG	4 mm ²	#14...6 AWG		16 mm ²
Wire Strip Length	0.394 in. (10 mm)			0.394 in. (10 mm)			0.47 in. (12 mm)		
Recommended Tightening Torque	7.1 lb•in (0.5 N•m)			9.0 lb•in (1.0 N•m)			19.5 lb•in (2.2 N•m)		
Density	59 pcs/ft (196 pcs/m)			49 pcs/f (/163 pcs/m)			25 pcs/ft (83 pcs/m)		
Housing Temperature Range	-58...+248 °F (-50...+120 °C)			-58...+248 °F (-50...+120 °C)			-58...+248 °F (-50...+120 °C)		

Fuse Blocks

1492-J6FB1...

1492-J6FB2...

Dimensions are not intended to be used for manufacturing purposes.
Note: Height dimension is measured from top of rail to top of terminal block.

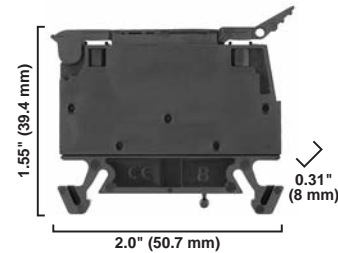
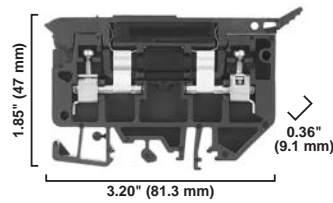


Specifications	Single-circuit fuse block with or without blown fuse indication			Single-circuit fuse block with or without blown fuse indication		
Certifications	UL	CSA	IEC	UL	CSA	IEC
J6FB1/J6FB2	600V AC/DC		500V AC/DC	600V AC/DC		500V AC/DC
Voltage Rating	J6FB124/J6FB224		10...36V AC/DC	10...36V AC/DC		
	J6FB148/J6FB248		30...70V AC/DC	30...70V AC/DC		
	J6FB1120/J6FB2120		60...150V AC/DC	60...150V AC/DC		
	J6FB1250/J6FB2250		100...250V AC/DC	100...250V AC/DC		
Maximum Current	10 A	16 A	6.3 A	10 A	10 A	6.3 A
Wire Range (Rated Cross Section)	#22...8 AWG	#20...8 AWG	6 mm ²	#22...8 AWG	#20...8 AWG	6 mm ²
Wire Strip Length	0.47 in. (12 mm)			0.47 in. (12 mm)		
Recommended Tightening Torque	10.6 lb•in (1.2 N•m)			14.2 lb•in (1.6 N•m)		
Density	25 pcs/ft (84 pcs/m)			38 pcs/ft (126 pcs/m)		
Housing Temperature Range	-58...+248 °F (-50...+120 °C)			-58...+248 °F (-50...+120 °C)		
Leakage Current	≤ 0.5 mA at Nominal Voltage			≤ 0.5 mA at Nominal Voltage		
Fuse Size (not supplied)	1/4 x 1-1/4 in.			5 x 20 mm		

1492-H...

1492-WFB4...

Dimensions are not intended to be used for manufacturing purposes.
Note: Height dimension is measured from top of rail to top of terminal block.



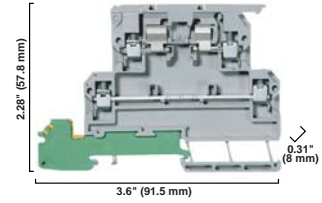
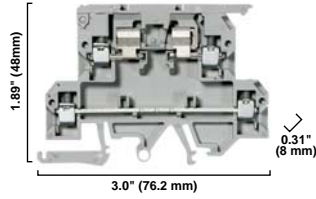
Specifications	Single-circuit fusible terminal block with or without fuse indication.			Single-circuit fuse block with or without fuse indication.		
Certifications	UL	CSA	IEC	UL	CSA	IEC
H6/WFB4	300V AC/DC		500V AC/DC	300V AC/DC		500V AC/DC
Voltage Rating	H5/WFB424		10...57V AC/DC	10...57V AC/DC		
	H4/WFB4250		100...300V AC	85...264V AC		
Maximum Current	15 A		0.5...4 mm ²	15 A		15 A ★
Wire Range (Rated Cross Section)	#30...12 AWG		0.38 in. (9.7 mm)	#30...12 AWG		0.5...4 mm ²
Wire Strip Length	0.38 in. (9.7 mm)			0.31 in. (8 mm)		
Recommended Tightening Torque	7.1 lb•in (0.8 N•m)			2.65...5.3 lb•in (0.3...0.6 N•m)		
Density	33 pcs/ft (109pcs /m)			38 pcs/ft (125 pcs/m)		
Housing Temperature Range	-40...+195 °F (-40...+90 °C)			-40...+195 °F (-40...+90 °C)		
Indicator Type						
H6/WFB4	Non-Indicating			Non-Indicating		
H5/WFB424	Red LED			Red LED		
H4/WFB4250	Neon			Neon		
Leakage Current						
H6/WFB4	—			—		
H5/WFB424	2 mA @ 24V			2 mA @ 24V		
H4/WFB4250	2 mA @ 300V			2 mA @ 300V		
Fuse Size (Not Supplied)	1/4 x 1-1/4 in.			5 x 20 mm		

Feed-through Hinged Blocks

1492-JD3FB...

1492-JDG3FB...

Dimensions are not intended to be used for manufacturing purposes.
 Note: Height dimension is measured from top of rail to top of terminal block.



Specifications	Two-level terminal block with feed-through circuit and hinged-arm fuse circuit			Three-Level terminal block with feed-through circuit, hinged-arm fuse circuit, and ground point		
Certifications	UL	CSA	IEC	UL	CSA	IEC
	600V AC/DC	600V AC/DC	500V AC/DC	600V AC/DC	600V AC/DC	500V AC/DC
Voltage Rating	JD3FB/JDG3FB	10...36V AC/DC		10...36V AC/DC		
	JD3FB24/JDG3FB24	30...70V AC/DC		30...70V AC/DC		
	JD3FB48/JDG3FB48	60...150V AC/DC		60...150V AC/DC		
	JD3FB120/JDG3FB120	100...250V AC/DC		100...250V AC/DC		
Maximum Current	Fuse Circuit	10 A	10 A	6.3 A‡	10 A	10 A
	Feed-through Circuit	20 A	25 A	6.3 A‡	20 A	25 A
Wire Range (Rated Cross Section)	#22...12 AWG	#20...8 AWG	0.5...4 mm ²	#22...12 AWG	#20...8 AWG	0.5...4 mm ²
Wire Strip Length	0.35 in. (9 mm)			0.35 in. (9 mm)		
Recommended Tightening Torque	5.5 lb-in. (0.65 N-m)			5.5 lb-in. (0.65 N-m)		
Density	38 pcs/ft (125 pcs/m)			38 pcs/ft (125 pcs/m)		
Housing Temperature Range	-58...+248 °F (-50...+120 °C)			-58...+248 °F (-50...+120 °C)		
Leakage Current	≤ 0.5mA at Nominal Voltage			≤ 0.5mA at Nominal Voltage		
Fuse Size (Not Supplied)	5 x 20 mm			5 x 20 mm		

‡ IEC standards for 5 x 20 mm fuses do not include ratings above 6.3 A.

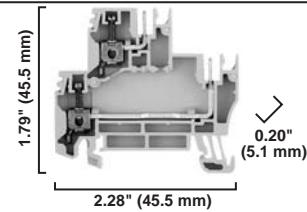
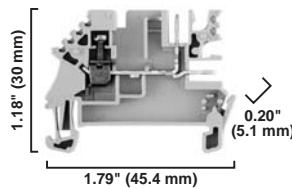
★ The Bulletin 1492-GMC marker carrier installs directly on the top of a 1492-EAJ35 end anchor or a 1492-ERL35 end retainer for group marking purposes.

Plug-in Connection Blocks

1492-JC3

1492-JDC3

Dimensions are not intended to be used for manufacturing purposes.
 Note: Height dimension is measured from top of rail to top of terminal block.

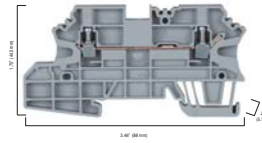


Specifications	Feed-Through terminal block with 2 plug-in comb connections on one side.			Two Circuit terminal block with plug-in comb connection on one side of each circuit.		
Certifications		CSA	IEC		CSA	IEC
Voltage Rating	300V AC/DC		250V AC/DC	300V AC/DC		250V AC/DC
Maximum Current	20 A	10 A	10 A (2 x 8)	20 A (2 x 10)	24 A	17.5 A
Wire Range (Rated Cross Section)	#22...12 AWG	#26...12 AWG	2.5 mm ²	#22...12 AWG	#26...12 AWG	2.5 mm ²
Wire Strip Length	0.39 in. (10 mm)			0.39 in. (10 mm)		
Recommended Tightening Torque	4.5 lb-in (0.5 N-m)			4.5...7.1 lb-in (0.5...0.8 N-m)		
Density	59 pcs/ft (196 pcs/m)			59 pcs/ft (196 pcs/m)		
Housing Temperature Range	-58...+248 °F (-50...+120 °C)			-58...+248 °F (-50...+120 °C)		

Process Terminal Blocks

1492-JP3

Dimensions are not intended to be used for manufacturing purposes.
Note: Height dimension is measured from top of rail to top of terminal block.



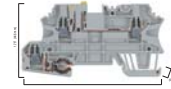
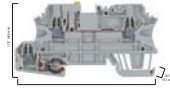
Specifications	Single-circuit feed-through process terminal block		
Certifications	UL	CSA	IEC
Voltage Rating	600V AC/DC		800V AC/DC
Maximum Current	20 A	26 A	24 A
Wire Range (Rated Cross Section)	#26...12 AWG		2.5 mm ²
Wire Strip Length	0.39 in. (10 mm)		
Recommended Tightening Torque	4.4...5.3 lb•in. (0.5...0.6 N•m)		
Density	59 pcs/ft (196 pcs/m)		
Housing Temperature Range	-58...+248 °F (-50...+120 °C)		

1492-JPKD3

1492-JPGKD3

1492-JPGKD3TP

Dimensions are not intended to be used for manufacturing purposes.
Note: Height dimension is measured from top of rail to top of terminal block.



Specifications	Single-circuit, feed-through process terminal block with knife disconnect		Single-circuit, feed-through terminal block with knife disconnect and ground connection			Single-circuit, knife disconnect feed-through process terminal block with test screws and ground connection		
Certifications	cURus	IEC	UL	CSA	IEC	UL	CSA	IEC
Voltage Rating	600V AC/DC	500V AC/DC	300V AC/DC		500V AC/DC	300V AC/DC		500V AC/DC
Maximum Current	20 A	20 A	19 A	19 A	20 A	19 A	19 A	20 A
Wire Range (Rated Cross Section)	#26...12 AWG	2.5 mm ²	#26...12 AWG		2.5 mm ²	#26...12 AWG		2.5 mm ²
Wire Strip Length	0.39 in. (10 mm)		0.39 in. (10 mm)			0.39 in. (10 mm)		
Recommended Tightening Torque	4.4...5.3 lb•in (0.5...0.6 N•m)		4.4...5.3 lb•in (0.5...0.6 N•m)			4.4...5.3 lb•in (0.5...0.6 N•m)		
Density	59 pcs/ft (196 pcs/m)		59 pcs/ft (196 pcs/m)			59 pcs/ft (196 pcs/m)		
Housing Temperature Range	-58...+248 °F (-50...+120 °C)		-58...+248 °F (-50...+120 °C)			-58...+248 °F (-50...+120 °C)		

1492-JP3FB

1492-JPG3FB

Dimensions are not intended to be used for manufacturing purposes.
Note: Height dimension is measured from top of rail to top of terminal block.



Specifications	Disconnect style single-circuit fusible terminal block with or without fuse indication			Disconnect style single-circuit fusible terminal block with or without fuse indication and ground connection		
Certifications	UL	CSA	IEC	UL	CSA	IEC
Voltage Rating §	JP3FB/JP3GFB	600V AC/DC		600V AC/DC		500V AC/DC
	JP3FB24/JPG3FB24	10...36V AC/DC		10...36V AC/DC		
	JP3FB48/JPG3FB48	30...70V AC/DC		30...70V AC/DC		
	JP3FB120/JPG3FB120	60...150V AC/DC		60...150V AC/DC		
	JP3FB250/JPG3FB250	100...250V AC/DC		100...250V AC/DC		
Maximum Current	17 A	17 A	6.3 A	17 A	17 A	6.3 A
Wire Range (Rated Cross Section)	#26...12 AWG	#26...12 AWG	2.5 mm ²	#26...12 AWG		2.5 mm ²
Wire Strip Length	0.39 in. (10 mm)			0.39 in. (10 mm)		
Recommended Tightening Torque	4.4...5.3 lb•in. (0.5...0.6 N•m)			4.4...5.3 lb•in. (0.5...0.6 N•m)		
Density	59 pcs/ft (196 pcs/m)			59 pcs/ft (196 pcs/m)		
Housing Temperature Range	-58...+248 °F (-50...+120 °C)			-58...+248 °F (-50...+120 °C)		

Short-Circuit Current Ratings
Fuse Ratings

Cat. No.	Wire Range Cu [AWG]		Overcurrent Protection Fuse Required Class/Max. Current Rating [A]						Maximum Voltage [V]	SCCR, RMS SYM [A]										
	Line	Load	J	T	RK1	RK5	G	CC												
1492-J3	14...12	14...12	30	30	—	—	30	30	600	100,000										
1492-J3P																				
1492-JD3SS																				
1492-JD3																				
1492-JD3C																				
1492-JG3TW																				
1492-JDG3C																				
1492-JG3	14...12	14...12	30	30	—	—	30	30	300	100,000										
1492-J3F																				
1492-J3TW																				
1492-JC3																				
1492-JDC3																				
1492-JKD3																				
1492-JD3FB																				
1492-JD3F																				
1492-JDG3FB																				
1492-JD3PSSTP																				
1492-JD3PTP																				
1492-JDG3P																				
1492-JDG3PSS																				
1492-JDG3PSSTP																				
1492-JDG3PTP																				
1492-JDG3																				
1492-JD3PSS																				
1492-JD3P																				
1492-J4											14...10	14...10	60	60	30	—	60	30	600	100,000
1492-JG4																				
1492-JKD4																				
1492-J4TW																				
1492-J4Q																				
1492-JG4TW																				
1492-JG4Q																				
1492-JKD4TW																				
1492-JKD4Q																				
1492-JKD4TP																				
1492-JD4C																				
1492-JD4																				
1492-JKD4QTP																				
1492-JKD4TWTP																				
1492-JSD4	14...10	14...10	60	60	30	—	60	30	300	100,000										
1492-JKD4																				
1492-J4CTB																				
1492-J6	14...8	14...8	100	100	60	30	60	30	600	100,000										
1492-JG6																				
1492-J10	14...6	14...6	100	100	60	30	60	30	600	100,000										
1492-JG10																				
1492-J16	14...4	14...4	100	100	60	30	60	30	600	100,000										
1492-JG16																				
1492-J16ND																				
1492-J35	12...1/0	12...1/0	200	200	100	30	60	30	600	100,000										
1492-JG35																				
1492-J50	6...1/0	6...1/0	200	200	100	30	60	30	600	100,000										
1492-JG50																				
1492-J70	1/0...3/0	1/0...3/0	400	400	200	100	60	30	600	100,000										
1492-JG70																				
1492-J120	4...4/0	4...4/0	400	400	200	100	60	30	600	100,000										
1492-JG120																				

Overcurrent Ratings

Cat. No.	Wire Range Cu [AWG] (Line and Load)	Overcurrent Protection Device Required	Max. Current [A]	SCCR, RMS Sym A 480Y/277V	SCCR, RMS Sym. A 600Y/347V		
1492-J3	14...12	140M-D8E-__	16	65,000	30,000		
1492-JG3TW		140M-C2E-B10		65,000	30,000		
1492-J3P		140M-C2E-B16		65,000	30,000		
1492-J3		140M-C2E-B25		65,000	30,000		
1492-JD3		140M-C2E-B40		65,000	25,000		
1492-JD3C		140M-C2E-B63		65,000	★		
1492-JD3SS		140M-C2E-A__		65,000	30,000		
1492-JDG3C		140M-C2E-C10		65,000	★		
1492-JG3		140MC2E-C16		30,000	★		
1492-J4		14...10		140M-F8E-__	32	65,000	30,000
1492-JG4	140M-D8E-C10		65,000	30,000			
1492-J4TW	140M-D8E-C16		65,000	30,000			
1492-J4Q	140M-D8E-C20		65,000	★			
1492-JG4TW	140M-D8E-C25		30,000	★			
1492-JG4Q	140M-D8E-B__		65,000	30,000			
1492-JKD4TW	140M-C2E-B10		65,000	30,000			
1492-JKD4Q	140M-C2E-B16		65,000	30,000			
1492-JKD4TP	140M-C2E-B25		65,000	30,000			
1492-JD4C	140M-C2E-B40		65,000	25,000			
1492-JD4	140M-C2E-B63		65,000	★			
1492-JKD4QTP	140M-C2E-C10		65,000	★			
1492-JKD4TWTP	140M-C2E-C16		30,000	★			
	140M-C2E-A__		65,000	30,000			
1492-J6	14...8		140M-F8E-__	32		65,000	30,000
1492-JG6			140M-D8E-C10			65,000	30,000
		140M-D8E-C16	65,000		30,000		
		140M-D8E-C20	65,000		★		
		140M-D8E-C25	30,000		★		
		140M-D8E-B__	65,000		30,000		
		140M-C2E-B10	65,000		30,000		
		140M-C2E-B16	65,000		30,000		
		140M-C2E-B25	65,000		30,000		
		140M-C2E-B40	65,000		25,000		
		140M-C2E-B63	65,000		★		
		140M-C2E-C10	65,000		★		
		140M-C2E-C16	30,000		★		
		140M-C2E-A__	65,000		30,000		

★ Bulletin 140M does not have ratings at this voltage.

Cat. No.	Wire Range Cu [AWG] (Line and Load)	Overcurrent Protection Device Required	Max. Current [A]	SCCR, RMS Sym A 480Y/277V	SCCR, RMS Sym. A 300V+
1492-J3TW	14...12	140M-D8E-__	16	65,000	30,000
1492-JC3		140M-C2E-B10		65,000	30,000
1492-JDC3		140M-C2E-B16		65,000	30,000
1492-J3F		140M-C2E-B25		65,000	30,000
1492-JD3F		140M-C2E-B40		65,000	25,000
1492-JKD3		140M-C2E-B63		65,000	★
1492-JD3FB		140M-C2E-A__		65,000	30,000
1492-JDG3FB		140M-C2E-C10		65,000	★
1492-JD3PSSTP		140MC2E-C16		30,000	★
1492-JD3PTP					
1492-JDG3P					
1492-JDG3PSS					
1492-JDG3PSSTP					
1492-JDG3PTP					
1492-JDG3					
1492-JD3P					
1492-JD3PSS					
1492-JKD4	14...10	140M-F8E-__	32	65,000	30,000
1492-JSD4		140M-D8E-C10		65,000	30,000
1492-J4CTB		140M-D8E-C16		65,000	30,000
		140M-D8E-C20		65,000	★
		140M-D8E-C25		30,000	★
		140M-D8E-B__		65,000	30,000
		140M-C2E-B10		65,000	30,000
		140M-C2E-B16		65,000	30,000
		140M-C2E-B25		65,000	30,000
		140M-C2E-B40		65,000	25,000
		140M-C2E-B63		65,000	★
		140M-C2E-C10		65,000	★
		140M-C2E-C16		30,000	★
	140M-C2E-A__	65,000	30,000		

Cat. No.	Wire Range Cu [AWG] (Line and Load)	Overcurrent Protection Device Required	Max. Current [A]	SCCR, RMS Sym A 480V+	SCCR, RMS Sym. A 600Y 347V+
1492-J10	14...10	140M-H8P-__	50	50,000	30,000
1492-JG10					
1492-J16					
1492-JG16	14...4	140M-H8P-__	100	30,000	30,000
1492-J16ND					
1492-J35	12...2	140M-H8P-__	100	50,000	30,000
1492-JG35					
1492-J50					
1492-JG50	2...1/0	140M-H8P-__	150	65,000	30,000

Cat. No.	Wire Range Cu [AWG] (Line and Load)	Overcurrent Protection Device Required	Max. Current [A]	SCCR, RMS Sym A 480V+	SCCR, RMS Sym. A 600V+
1492-J70	4...1/0	140U-J0X3	175	65,000	★
	1/0	140U-J0X3		★	30,000
1492-J120	2...3/0	140U-J0X3	228	65,000	30,000

★ Bulletin 140M does not have ratings at this voltage.
 + Voltage terminal block was tested at for respective SCCR

Allen-Bradley spring-clamp terminal blocks generally have been designed to meet the requirements of one or more regulatory bodies. Most products have also been tested per additional standards. The following is a listing of some of the regulatory bodies and standards which apply to Allen-Bradley spring-clamp terminal block products. See the particular product description for information on specific certifications and ratings.



(Underwriters Laboratories) — Allen-Bradley spring-clamp terminal blocks with one of these ratings have been tested by Underwriters Laboratories and meet the requirements of one or more of the following United States Standards:

- UL 486E — Equipment Wiring Terminals for Use with Aluminum and/or Copper Conductors
- UL 1059 — Standard for Terminal Blocks

Reference UL file E40735



(Underwriters Laboratories) — Allen-Bradley spring-clamp terminal blocks with this rating have been tested by Underwriters Laboratories and meet the requirements of one or more of the following Canadian Standards:

- CSA 22.2 No. 158 — Terminal Blocks

Reference UL file E40735



(Canadian Standards Association) — Allen-Bradley spring-clamp terminal blocks with this rating have been tested by the Canadian Standards Association and meet the requirements of the following Canadian Standard:

- CSA 22.2 No. 158 — Terminal Blocks

Reference CSA files 677896



Allen-Bradley spring-clamp terminal blocks listed in this catalog meet the requirements of the Low Voltage Directive put forth by the European Union. Devices have been tested and comply with one or more of the following European Norms:

- EN 60947-1 — Low Voltage Switchgear and Controlgear: General Rules
- EN 60947-7-1 — Low Voltage Switchgear and Controlgear: Terminal Blocks for Copper Conductors
- EN 60947-7-2 — Low Voltage Switchgear and Controlgear: Protective Conductor Terminal Blocks for Copper Conductors
- EN 60947-7-3 — Low Voltage Switchgear and Controlgear: Safety Requirements for Fuse Terminal Blocks



ATEX — Devices listed in this catalog with “ATEX” ratings meet the following European Norms per DEMKO or KEMA, Approval Certification Bodies for the European Union:

- EN 60079-0 — Electrical Apparatus for Potentially Explosive Atmospheres — General Requirements
- EN 60079-7 — Electrical Apparatus for Potentially Explosive Atmospheres — Increased Safety “e”

Contact your local Allen-Bradley distributor for a copy of the certificate.

Ex e II — Bulletin 1492-L terminal blocks in this catalog meet the following Canadian Standards per Underwriters Laboratories:

- CAN/CSA E60079-7 — Electrical Apparatus for Explosive Atmospheres — Part 0 — General Requirements
- CAN/CSA E60079-0 — Electrical Apparatus for Explosive Atmospheres — Part 7 — Increased Safety “e”

These products are suitable for Class I, Zone 1 Hazardous Locations. Reference UL file E187022. Contact your local Allen-Bradley distributor for more information.

AEx e II — Allen-Bradley spring-clamp terminal blocks with an “AEx e II” rating meet the following United States Standard per Underwriters Laboratories:

- UL 2279 — Standard for Electrical Equipment for Use in Class I, Zone 0, 1, and 2 Hazardous (Classified) Locations

These products are suitable for Class I, Zone 1 Hazardous Locations. Reference UL file E187022. Contact your local Allen-Bradley distributor for more information.

Lloyd's Register — Bulletin 1492-L terminal blocks in this catalog have been certified for use in marine, off-shore, and industrial installations per the following standard:

- Lloyd's Register Test Specification No. 1:1996

Contact your local Allen-Bradley distributor for a copy of the certificate.

The Allen-Bradley Line of Spring-Clamp Terminal Blocks...

The Bulletin 1492-L line of internationally approved spring-clamp IEC-style terminal blocks offers a variety of products that can make any application:

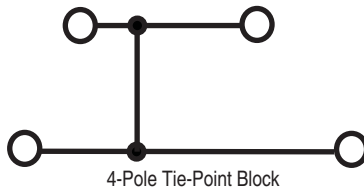
- Fast — Reduces wiring time by more than 50%
- Practical — Requires only a flat-head screwdriver for easy installation. Maintenance-free, no need to retighten
- Reliable — Secure contact is durable under extreme conditions such as high-vibration applications

Products Available in the 1492-L Spring-Clamp Line

- **Feed-Through Blocks**, accommodating wire sizes from #30...#2 AWG (0.2...35 mm²)
- **Grounding Blocks** for grounding a given circuit to the DIN Rail
- **Multi-Circuit Blocks** for doubling circuit wiring density
- **Isolation Blocks** for circuit isolation during testing and troubleshooting
- **Plug-In Style Terminal Blocks** accommodating component plugs, fuse plugs, and disconnect plugs
- **Sensor Blocks** for coordination of three-wire sensor groups with or without ground terminations
- **Electrical Component Blocks** which allow for the insertion of fixed components into control circuits. Components include diodes and surge suppression circuits

Tie-Point Block

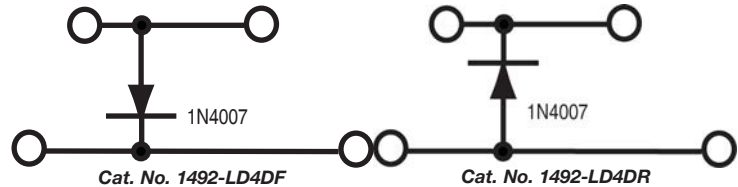
(Cat. Nos. 1492-LD2C, LD3C, LD4C)



Diode Block

(Cat. Nos. 1492-LD4DF, 1492-LD4DR)

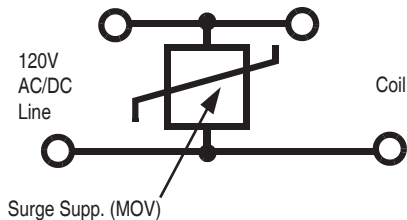
Uses a 1N4007 diode between the upper and lower levels for insertion into a control circuit. This block is useful in low voltage DC control circuits for directioning and suppression.



Surge Suppression Block

(Cat. No. 1492-LD4SS)

Provides a convenient means of incorporating transient suppression for relays, contactors and solenoids into a control system.



- **Test Blocks** for allowing a bank of pluggable terminal strips to be easily connected for test purposes
- A wide variety of snap-in markers are available for individual or group circuit identification
- A broad offering of accessories such as screwless end retainers, electrical warning plates, end barriers, protective stops and test plugs to provide exactly what the application requires
- Operating instructions (printed on an adhesive label), for fixing inside a panel
- **Mini-blocks** available in rail-mount or panel-mount configurations

Materials and Design Features

The 1492-L line is specially designed for safety, installation ease, and ruggedness. Features include:

- Tin-plated terminals and stainless steel spring clamps for resistance to corrosion and vibration
- Spring clamp design to minimize stress relaxation and maintain contact force, even under vibration
- Top wire entry for ease of installation
- Circuit testing with standard 2 mm diameter test probe or stackable test plugs on most spring-clamp blocks
- Insulation stops to ensure electrical connection when using smaller gauge wires
- Markers that are visible after terminal blocks are wired
- Multiple marking options
- Common profiles to minimize stocking of accessories
- Self-extinguishing, polyamide 6.6 housing materials with a flammability rating UL 94-V0 (1492-R terminal blocks have a UL 94-V2 flammability rating)
- Screwless center jumpers to simplify jumpering terminals together

Note: To ensure proper wire termination, these blocks are designed to accept only **one** wire per terminal.

	1492-LMJ3			1492-LMJG3		
Dimensions are not intended to be used for manufacturing purposes. Note: Height dimension is measured from top of rail to top of terminal block.						
	Mini rail-mount, feed-through terminal block with jumper capability			Mini rail-mount grounding terminal block		
Certifications		CSA	IEC		CSA	IEC
Voltage Rating	600V AC/DC		500V AC/DC	275V AC/DC		—
Maximum Current	20 A		24 A	20 A		Grounding
Wire Range (Rated Cross Section)	#26...12 AWG		2.5 mm ²	#20...12 AWG		#26...12 AWG 2.5 mm ²
Wire Strip Length	0.39 in. (10 mm)			0.39 in. (10 mm)		
Density	59 pcs/ft (196 pcs/m)			59 pcs/ft (196 pcs/m)		
Housing Temperature Range	-58...+248 °F (-50...+120 °C)			-58...+248 °F (-50...+120 °C)		

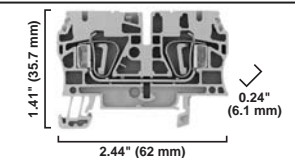
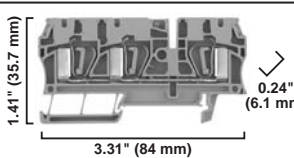
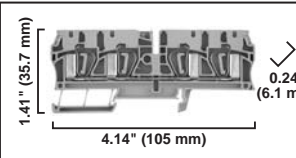
	1492-LM3			1492-LM3Q			1492-LMG3		
Dimensions are not intended to be used for manufacturing purposes. Note: Height dimension is measured from top of rail to top of terminal block.									
	Mini rail-mount, feed-through terminal block			Mini rail-mount, feed-through terminal block with 2 connection points on each side			Mini rail-mount grounding terminal block		
Certifications		CSA	IEC		CSA	IEC		CSA	IEC
Voltage Rating	600V AC/DC		800V AC/DC	600V AC/DC		800V AC/DC	—		
Maximum Current	20 A	25 A	24 A	20 A	25 A	24 A	Grounding		
Wire Range (Rated Cross Section)	#26...12 AWG		2.5 mm ²	#26...12 AWG		2.5 mm ²	#26...12 AWG		2.5 mm ²
Wire Strip Length	0.39 in. (10 mm)			0.39 in. (10 mm)			0.39 in. (10 mm)		
Density	59 pcs/ft (196 pcs/m)			30 pcs/ft (99 pcs/m)			59 pcs/ft (196 pcs/m)		
Housing Temperature Range	-58...+248 °F (-50...+120 °C)			-58...+248 °F (-50...+120 °C)			-58...+248 °F (-50...+120 °C)		

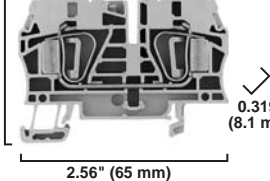
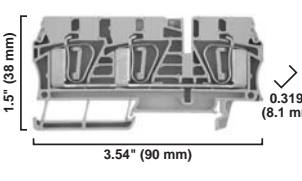
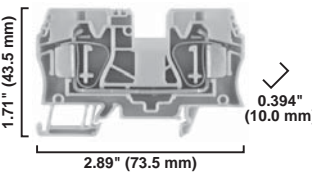
	1492-LMP3			1492-LMP3Q		
Dimensions are not intended to be used for manufacturing purposes. Note: One end block and one end barrier or two end barriers must be used on each end of a terminal bank to provide mounting slots.						
	Mini surface mount feed-through terminal block			Mini surface mount, feed-through terminal block with 2 connection points on each side		
Certifications		CSA	IEC		CSA	IEC
Voltage Rating	600V AC/DC		800V AC/DC	600V AC/DC		800V AC/DC
Maximum Current	20 A	25 A	24 A	20 A	25 A	24 A
Wire Range (Rated Cross Section)	#26...12 AWG		2.5 mm ²	#26...12 AWG		2.5 mm ²
Wire Strip Length	0.39 in. (10 mm)			0.39 in. (10 mm)		
Density	59 pcs/ft (196 pcs/m)			30 pcs/ft (99 pcs/m)		
Housing Temperature Range	-58...+248 °F (-50...+120 °C)			-58...+248 °F (-50...+120 °C)		

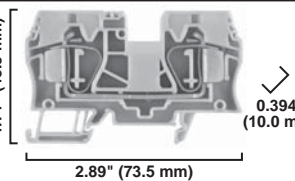
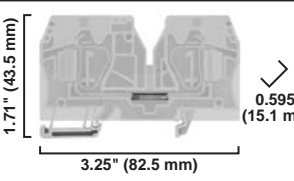
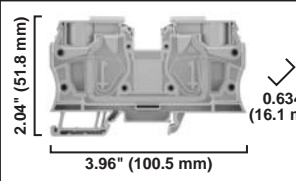
Mini-Blocks, Interlocking, 600V UL Rated

	1492-L2				1492-L2T				1492-L2Q			
Dimensions are not intended to be used for manufacturing purposes. Note: Height dimension is measured from top of rail to top of terminal block.												
	Feed-through terminal block				Feed-through terminal block with 2 connection points on one side				Feed-through terminal block with 2 connection points per side			
Certifications		CSA	IEC	ATEX		CSA	IEC	ATEX		CSA	IEC	ATEX
Voltage Rating	300V AC/DC		500V AC/DC	550V AC/DC	300V AC/DC		500V AC/DC	550V AC/DC	300V AC/DC		500V AC/DC	550V AC/DC
Maximum Current	15 A	20 A	17.5 A	15 A	15 A	20 A	17.5 A	15 A	15 A	20 A	17.5 A	15 A
Wire Range (Rated Cross Section)	#26...14 AWG		1.5 mm ²	1.5 mm ²	#26...14 AWG		1.5 mm ²	1.5 mm ²	#26...14 AWG		1.5 mm ²	1.5 mm ²
Wire Strip Length	0.39 in. (10 mm)				0.39 in. (10 mm)				0.39 in. (10 mm)			
Density	87 pcs/ft (285 pcs/m)				87 pcs/ft (285 pcs/m)				87 pcs/ft (285 pcs/m)			
Housing Temperature Range	-58...+248 °F (-50...+120 °C)				-58...+248 °F (-50...+120 °C)				-58...+248 °F (-50...+120 °C)			

	1492-L3				1492-L3T				1492-L3Q			
Dimensions are not intended to be used for manufacturing purposes. Note: Height dimension is measured from top of rail to top of terminal block.												
	Feed-through terminal block				Feed-through terminal block with 3 connection points, 2 on one side				Feed-through terminal block with 2 points on each side			
Certifications		CSA	IEC	ATEX		CSA	IEC	ATEX		CSA	IEC	ATEX
Voltage Rating	600V AC/DC		800V AC/DC	550V AC/DC	600V AC/DC		800V AC/DC	550V AC/DC	600V AC/DC		800V AC/DC	550V AC/DC
Maximum Current	25 A	27 A	24 A	21 A	25 A	27 A	24 A	21 A	25 A	27 A	24 A	21 A
Wire Range (Rated Cross Section)	#30...12 AWG	#26...12 AWG	2.5 mm ²	2.5 mm ² (20...12 AWG)	#30...12 AWG	#26...12 AWG	2.5 mm ²	2.5 mm ² (20...12 AWG)	#30...12 AWG	#26...12 AWG	2.5 mm ²	2.5 mm ² (20...12 AWG)
Wire Strip Length	0.39 in. (10 mm)				0.39 in. (10 mm)				0.39 in. (10 mm)			
Density	59 pcs/ft (196 pcs/m)				59 pcs/ft (196 pcs/m)				59 pcs/ft (196 pcs/m)			
Housing Temperature Range	-58...+248 °F (-50...+120 °C)				-58...+248 °F (-50...+120 °C)				-58...+248 °F (-50...+120 °C)			

	1492-L4	1492-L4T	1492-L4Q
Dimensions are not intended to be used for manufacturing purposes. Note: Height dimension is measured from top of rail to top of terminal block.			
Specifications	Feed-through terminal block		Feed-through terminal block with 3 connection points, 2 on one side
Certifications	CSA IEC ATEX	CSA IEC ATEX	CSA IEC ATEX
Voltage Rating	600V AC/DC	800V AC/DC 550V AC/DC	600V AC/DC 800V AC/DC 550V AC/DC
Maximum Current	33 A 35 A	32 A 28 A	33 A 35 A 32 A 28 A
Wire Range (Rated Cross Section)	#26...10 AWG 4 mm ²	4 mm ² (20...10 AWG)	#26...10 AWG 4 mm ² 4 mm ² (20...10 AWG)
Wire Strip Length	0.47 in. (12 mm)		0.47 in. (12 mm)
Density	49 pcs/ft (163 pcs/m)		49 pcs/ft (163 pcs/m)
Housing Temperature Range	-58...+248 °F (-50...+120 °C)		-58...+248 °F (-50...+120 °C)

	1492-L6	1492-L6T	1492-L10
Dimensions are not intended to be used for manufacturing purposes. Note: Height dimension is measured from top of rail to top of terminal block.			
Specifications	Feed-through terminal block		Feed-through terminal block
Certifications	CSA IEC ATEX	CSA IEC ATEX	CSA IEC ATEX
Voltage Rating	600V AC/DC	800V AC/DC 550V AC/DC	600V AC/DC 800V AC/DC 550V AC/DC
Maximum Current	50 A	41 A 36 A	60 A 55 A 57 A 50 A
Wire Range (Rated Cross Section)	#22...8 AWG #20...8 AWG 6 mm ²	6 mm ² (20...8 AWG)	#22...8 AWG #20...8 AWG 6 mm ² (#20...10 AWG)
Wire Strip Length	0.51 in. (13 mm)		0.70 in. (18 mm)
Density	37 pcs/ft (123 pcs/m)		30 pcs/ft (99 pcs/m)
Housing Temperature Range	-58...+248 °F (-50...+120 °C)		-58...+248 °F (-50...+120 °C)

	1492-L16	1492-L16D*	1492-L35
Dimensions are not intended to be used for manufacturing purposes. Note: Height dimension is measured from top of rail to top of terminal block.			
Specifications	Feed-through terminal block		Power distribution block with center jumper connection/feed
Certifications	CSA IEC ATEX	CSA IEC	CSA IEC ATEX
Voltage Rating	600V AC/DC	800V AC/DC 550V AC/DC	600V AC/DC 800V AC/DC 690V AC/DC
Maximum Current	65 A	76 A 66 A	65 A 76 A 120 A 125 A 109 A
Wire Range (Rated Cross Section)	#14...4 AWG 16 mm ²	16 mm ² (16...6 AWG)	#14...4 AWG 16 mm ² #12...2 AWG 35 mm ²
Wire Strip Length	0.70 in. (18 mm)		0.98 in. (25 mm)
Density	25 pcs/ft (82 pcs/m)		20 pcs/ft (66 pcs/m)
Housing Temperature Range	-58...+248 °F (-50...+120 °C)		-58...+248 °F (-50...+120 °C)

Feed Left:

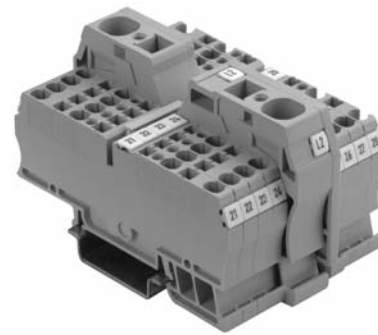
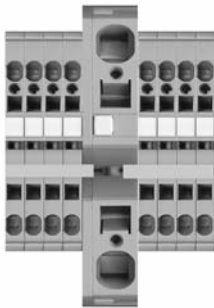


Feed Right:



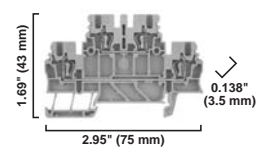
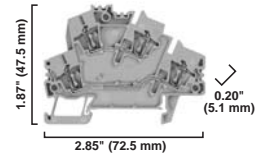
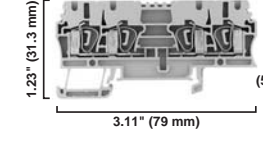
The Cat. No. 1492-L16D feed terminal allows wires with a cross section from 4...14 AWG and up to 16 mm² to be used. Using standard cross connections, the potential can be distributed to any number of terminals with smaller cross sections. The following tables show some variants for potential distribution of the supply, the required cross connection, and the maximum current. The maximum current for the single terminal block must not be exceeded.

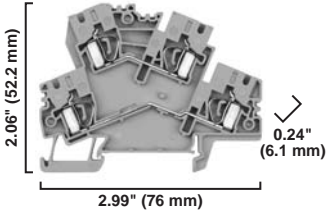
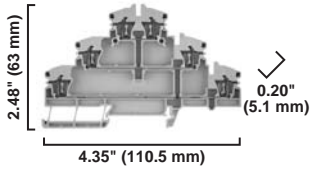
Feed Middle:



Feed Left				Feed Middle				Feed Right			
Feed Terminal	Feed	I_{max}	Jumper	Feed Terminal	Feed	I_{max}	Jumper	Feed Terminal	Feed	I_{max}	Jumper
1492-L3	4...14 AWG (16 mm ²)	62 A	1492-CJK5-*	1492-L3	#4...14 AWG (16 mm ²)	76 A	1492-CJK5-*	1492-L3	#4...14 AWG (16 mm ²)	62 A	1492-CJK5-*
1492-L3Q		62 A	1492-CJK5-*	1492-L3Q		76 A	1492-CJK5-*	1492-L3Q		62 A	1492-CJK5-*
1492-L4		76 A	1492-CJK6-*	1492-L4		76 A	1492-CJK6-*	1492-L4		76 A	1492-CJK6-*
								1492-L4T		76 A	1492-CJK6-*
1492-L6		76 A	1492-CJL8-*	1492-L6		76 A	1492-CJL8-*	1492-L6		76 A	1492-CJL8-*
								1492-L6T		76 A	1492-CJL8-*

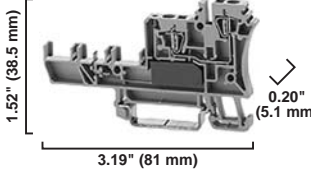
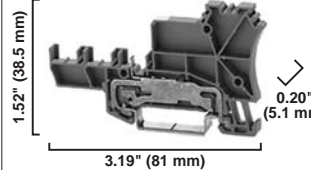
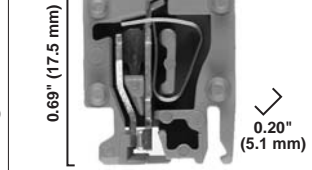
* See accessory section for availability of specific jumper pole configurations.

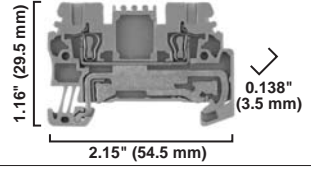
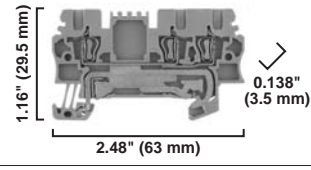
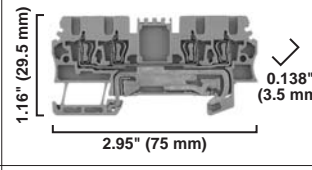
	1492-LD2	1492-LD3	1492-L3QS
Dimensions are not intended to be used for manufacturing purposes. Note: Height dimension is measured from top of rail to top of terminal block.			
Specifications	<i>Two-circuit feed-through terminal block</i>		<i>Two-circuit feed-through terminal block</i>
Certifications	CSA IEC	CSA IEC ATEX	CSA IEC ATEX
Voltage Rating	300V AC/DC 600V AC/DC 500V AC/DC	600V AC/DC 800V AC/DC 550V AC/DC	600V AC/DC 800V AC/DC 550V AC/DC
Maximum Current	10 A	20 A 25 A	25 A 27 A
Wire Range (Rated Cross Section)	#28... 16 AWG 1.5 mm ²	#30... 12 AWG 2.5 mm ²	#26... 12 AWG 2.5 mm ²
Wire Strip Length	0.39 in. (10 mm)		0.39 in. (10 mm)
Density	87 pcs/ft (285 pcs/m)		59 pcs/ft (196 pcs/m)
Housing Temperature Range	-58...+248 °F (-50...+120 °C)		-58...+248 °F (-50...+120 °C)

	1492-LD4	1492-LTF3
Dimensions are not intended to be used for manufacturing purposes. Note: Height dimension is measured from top of rail to top of terminal block.		
Specifications	<i>Two-circuit feed-through terminal block</i>	
Certifications	CSA IEC	CSA IEC
Voltage Rating	600V AC/DC	800V AC/DC
Maximum Current	25 A 30 A	15 A 20 A
Wire Range (Rated Cross Section)	#26...10 AWG 4 mm ²	#26...12 AWG 2.5 mm ²
Wire Strip Length	0.39 in. (10 mm)	
Density	49 pcs/ft (163 pcs/m)	
Housing Temperature Range	-58...+248 °F (-50...+120 °C)	

	1492-LD2C			1492-LD3C			1492-LD4C			
Dimensions are not intended to be used for manufacturing purposes. Note: Height dimension is measured from top of rail to top of terminal block.										
	Two-level feed-through terminal block with commoning bar			Two-level feed-through terminal block with commoning bar			Two-level feed-through terminal block with commoning bar			
Specifications										
Certifications		CSA	IEC		CSA	IEC	ATEX		CSA	IEC
Voltage Rating	300V AC/DC	600V AC/DC	500V AC/DC	600V AC/DC		800V AC/DC	550V AC/DC	600V AC/DC		800V AC/DC
Maximum Current	10 A		17.5 A	20 A	25 A	24 A	22 A	25 A	30 A	32 A
Wire Range (Rated Cross Section)	#28...16 AWG		1.5 mm ²	#30...12 AWG		2.5 mm ²	0.5...2.5 mm ² (#20...14 AWG)	#26...10 AWG		4 mm ²
Wire Strip Length	0.39 in. (10 mm)			0.39 in. (10 mm)			0.39 in. (10 mm)			
Density	87 pcs/ft (285 pcs/m)			59 pcs/ft (196 pcs/m)			49 pcs/ft (163 pcs/m)			
Housing Temperature Range	-58...+248 °F (-50...+120 °C)			-58...+248 °F (-50...+120 °C)			-58...+248 °F (-50...+120 °C)			

	1492-LS2-3* 1492-LS2-3L*			1492-LSG2-3*			1492-LS2-BR 1492-LS2-B 1492-LSG2		
Dimensions are not intended to be used for manufacturing purposes. Note: Height dimension is measured from top of rail to top of terminal block.									
	3 conductor sensor block base for plug in distribution blocks			3 conductor sensor ground block base for plug in distribution blocks			Plug in Distribution blocks — internally jumpered		
Specifications									
Certifications		CSA	IEC		CSA	IEC		CSA	IEC
Voltage Rating (without LED)	300V AC/DC		250V AC/DC	300V AC/DC		250V AC/DC	300V AC/DC		250V AC/DC
Voltage Rating (with LED)	5...30V AC/DC			—			5...30V AC/DC		
Maximum Current	10 A		17.5 A	10 A		17.5 A	10 A		17.5 A
Wire Range (Rated Cross Section)	#26...14 AWG		1.5 mm ²	#26...14 AWG		1.5 mm ²	#26...14 AWG		1.5 mm ²
Wire Strip Length	0.31 in. (8 mm)			0.31 in. (8 mm)			0.31 in. (8 mm)		
Density	59 pcs/ft (196 pcs/m)			59 pcs/ft (196 pcs/m)			59 pcs/ft (196 pcs/m)		
Housing Temperature Range	-58...+248 °F (-50...+120 °C)			-58...+248 °F (-50...+120 °C)			-58...+248 °F (-50...+120 °C)		

	1492-LS2-4★ 1492-LS2-4L★	1492-LSG2-4★	1492-LS2-BR 1492-LS2-B 1492-LSG2
Dimensions are not intended to be used for manufacturing purposes. Note: Height dimension is measured from top of rail to top of terminal block.			
Specifications	4 conductor sensor block base for plug in distribution blocks		Plug In Distribution blocks — internally jumpered
Certifications	CSA IEC	CSA IEC	CSA IEC
Voltage Rating (without LED)	300V AC/DC		300V AC/DC
Voltage Rating (with LED)	5...30V AC/DC		5...30V AC/DC
Maximum Current	10 A	17.5 A	10 A
Wire Range (Rated Cross Section)	#26...14 AWG	1.5 mm ²	#26...14 AWG
Wire Strip Length	0.31 in. (8 mm)		0.28 in. (7 mm)
Density	59 pcs/ft (196 pcs/m)		59 pcs/ft (196 pcs/m)
Housing Temperature Range	-58...+248 °F (-50...+120 °C)		-58...+248 °F (-50...+120 °C)

	1492-LG2	1492-LG2T	1492-LG2Q
Dimensions are not intended to be used for manufacturing purposes. Note: Height dimension is measured from top of rail to top of terminal block.			
Specifications	Feed-through grounding terminal block		Feed-through grounding terminal block with 2 points on each side
Certifications	CSA IEC ATEX	CSA IEC ATEX	CSA IEC ATEX
Voltage Rating	—		—
Maximum Current	Grounding		Grounding
Wire Range (Rated Cross Section)	#26...14 AWG	1.5 mm ² (20...16 AWG)	#26...14 AWG
Wire Strip Length	0.39 in. (10 mm)		0.39 in. (10 mm)
Density	87 pcs/ft (285 pcs/m)		87 pcs/ft (285 pcs/m)
Housing Temperature Range	-58...+248 °F (-50...+120 °C)		-58...+248 °F (-50...+120 °C)

	1492-LG3				1492-LG3T				1492-LG3Q			
Dimensions are not intended to be used for manufacturing purposes. Note: Height dimension is measured from top of rail to top of terminal block.												
	2.34" (59.5 mm)				2.54" (64.5 mm)				3.11" (79 mm)			
Specifications	Feed-through grounding terminal block				Feed-through grounding terminal block with 2 points on one side				Feed-through grounding terminal block with 2 points on each side			
Certifications		CSA	IEC	ATEX		CSA	IEC	ATEX		CSA	IEC	ATEX
Voltage Rating	—				—				—			
Maximum Current	Grounding				Grounding				Grounding			
Wire Range (Rated Cross Section)	#30... 12 AWG	#26... 12 AWG	2.5 mm ²	2.5 mm ² (20... 12 AWG)	#30... 12 AWG	#26... 12 AWG	2.5 mm ²	2.5 mm ² (20... 12 AWG)	#30... 12 AWG	#26... 12 AWG	2.5 mm ²	2.5 mm ² (20... 12 AWG)
Wire Strip Length	0.39 in. (10 mm)				0.39 in. (10 mm)				0.39 in. (10 mm)			
Density	59 pcs/ft (196 pcs/m)				59 pcs/ft (196 pcs/m)				59 pcs/ft (196 pcs/m)			
Housing Temperature Range	-58...+248 °F (-50...+120 °C)				-58...+248 °F (-50...+120 °C)				-58...+248 °F (-50...+120 °C)			

	1492-LG4				1492-LG4T				1492-LG4Q			
Dimensions are not intended to be used for manufacturing purposes. Note: Height dimension is measured from top of rail to top of terminal block.												
	2.44" (62 mm)				3.31" (84 mm)				4.14" (105 mm)			
Specifications	Feed-through grounding terminal block				Feed-through grounding terminal block with 2 points on one side				Feed-through grounding terminal block with 2 points on each side			
Certifications		CSA	IEC	ATEX		CSA	IEC	ATEX		CSA	IEC	ATEX
Voltage Rating	—				—				—			
Maximum Current	Grounding				Grounding				Grounding			
Wire Range (Rated Cross Section)	#26...10 AWG		4 mm ²	4 mm ² (20... 10 AWG)	#26...10 AWG		4 mm ²	4 mm ² (20... 12 AWG)	#26...10 AWG		4 mm ²	4 mm ² (20... 12 AWG)
Wire Strip Length	0.47 in. (12 mm)				0.47 in. (12 mm)				0.47 in. (12 mm)			
Density	49 pcs/ft (163 pcs/m)				49 pcs/ft (163 pcs/m)				49 pcs/ft (163 pcs/m)			
Housing Temperature Range	-58...+248 °F (-50...+120 °C)				-58...+248 °F (-50...+120 °C)				-58...+248 °F (-50...+120 °C)			

	1492-LG6				1492-LG6T				1492-LG10			
Dimensions are not intended to be used for manufacturing purposes. Note: Height dimension is measured from top of rail to top of terminal block.												
	Feed-through grounding terminal block				Feed-through grounding terminal block with 2 points on one side				Feed-through grounding terminal block			
Certifications		CSA	IEC	ATEX		CSA	IEC	ATEX		CSA	IEC	ATEX
Voltage Rating	—	—	—	—	—	—	—	—	—	—	—	—
Maximum Current	Grounding				Grounding				Grounding			
Wire Range (Rated Cross Section)	#22...8 AWG	#20...8 AWG	6 mm ²	6 mm ² (20...8 AWG)	#22...8 AWG	#20...8 AWG	6 mm ²	6 mm ² (20...10 AWG)	#16...6 AWG	10 mm ²	10 mm ² (16...8 AWG)	
Wire Strip Length	0.51 in. (13 mm)				0.51 in. (13 mm)				0.70 in. (18 mm)			
Density	37 pcs/ft (123 pcs/m)				37 pcs/ft (123 pcs/m)				30 pcs/ft (99 pcs/m)			
Housing Temperature Range	-58...+248 °F (-50...+120 °C)				-58...+248 °F (-50...+120 °C)				-58...+248 °F (-50...+120 °C)			

	1492-LG16				1492-LG35				1492-LDG2		
Dimensions are not intended to be used for manufacturing purposes. Note: Height dimension is measured from top of rail to top of terminal block.											
	Feed-through grounding terminal block				Feed-through grounding terminal block				Two-circuit terminal block with 1 feed-through and 1 ground circuit		
Certifications		CSA	IEC	ATEX		CSA	IEC	ATEX		CSA	IEC
Voltage Rating	—	—	—	—	—	—	—	—	300V AC/DC	500V AC/DC	
Maximum Current	Grounding				Grounding				10 A	17.5 A	
Wire Range (Rated Cross Section)	#14...6 AWG	#14...4 AWG	16 mm ²	16 mm ² (16...6 AWG)	#12...2 AWG	35 mm ²	35 mm ² (#14...2 AWG)		#28...16 AWG	1.5 mm ²	
Wire Strip Length	0.70 in. (18 mm)				0.98 in. (25 mm)				0.31 in. (8 mm)		
Density	25 pcs/ft (82 pcs/m)				18 pcs/ft (62 pcs/m)				87 pcs/ft (285 pcs/m)		
Housing Temperature Range	-58...+248 °F (-50...+120 °C)				-58...+248 °F (-50...+120 °C)				-58...+248 °F (-50...+120 °C)		

Grounding Blocks

	1492-LDG2C			1492-LDG3			1492-LDG3C				
<p>Dimensions are not intended to be used for manufacturing purposes. Note: Height dimension is measured from top of rail to top of terminal block.</p>											
Specifications	Single-circuit, two-level grounding terminal block with 2 connection points on each side			Two-circuit grounding terminal block with 1 feed-through and 1 ground circuit			Single-circuit, two-level grounding terminal block with 2 connection points on each side				
Certifications		CSA	IEC		CSA	IEC	ATEX		CSA	IEC	ATEX
Voltage Rating	—	—	—	600V AC/DC		800V AC/DC	550V AC/DC	—	—	—	—
Maximum Current	Grounding			20 A	25 A	24 A	20 A	Grounding			
Wire Range (Rated Cross Section)	#28...16 AWG		1.5 mm ²	#26...12 AWG	#30...12 AWG	2.5 mm ²	0.5...2.5 mm ² (#20...14 AWG)	#26...12 AWG	#30...12 AWG	2.5 mm ²	0.5...2.5 mm ² (20...14 AWG)
Wire Strip Length	0.39 in. (10 mm)			0.39 in. (10 mm)			0.39 in. (10 mm)				
Density	87 pcs/ft (285 pcs/m)			59 pcs/ft (196 pcs/m)			59 pcs/ft (196 pcs/m)				
Housing Temperature Range	-58...+248 °F (-50...+120 °C)			-58...+248 °F (-50...+120 °C)			-58...+248 °F (-50...+120 °C)				

	1492-LDG4			1492-LDG4C		
<p>Dimensions are not intended to be used for manufacturing purposes. Note: Height dimension is measured from top of rail to top of terminal block.</p>						
Specifications	Two-circuit grounding terminal block with 1 feed-through and 1 ground circuit			Single-circuit, two-level grounding terminal block with 2 connection points on each side		
Certifications		CSA	IEC		CSA	IEC
Voltage Rating	600V AC/DC		800V AC/DC	—	—	—
Maximum Current	25 A	30 A	32 A	Grounding		
Wire Range (Rated Cross Section)	#26...10 AWG		4 mm ²	#26...10 AWG		4 mm ²
Wire Strip Length	0.39 in. (10 mm)			0.39 in. (10 mm)		
Density	49 pcs/ft (163 pcs/m)			49 pcs/ft (163 pcs/m)		
Housing Temperature Range	-58...+248 °F (-50...+120 °C)			-58...+248 °F (-50...+120 °C)		

	1492-LD32P	1492-LG31P	1492-LG3T1P
<p>Dimensions are not intended to be used for manufacturing purposes. Note: Height dimension is measured from top of rail to top of terminal block.</p>			
Specifications	<p><i>Two-circuit terminal block with 1 fixed and 1 plug-in connection on each level. Plug-in connectors can be individual or grouped configurations.</i></p>		<p><i>Single-circuit grounding terminal block with 1 fixed and 1 plug-in connection.</i></p>
Certifications			
Voltage Rating	300V AC/DC	500V AC/DC	—
Maximum Current	20 A	24 A	Grounding
Limited Rating - Voltage*	600V AC/DC	—	Grounding
Limited Rating - Current*	5 A	—	—
Wire Range (Rated Cross Section)	26... 12 AWG	0.5...2.5 mm ²	26... 12 AWG
Wire Strip Length	0.394 in (10 mm)		0.394 in (10 mm)
Density (Blocks per ft/m)	59 pcs/ft (196 pcs/m)		59 pcs/ft (196 pcs/m)
Housing Temperature Range	-58...+248 °F (-50...+120 °C)		-58...+248 °F (-50...+120 °C)

1492-LKD3

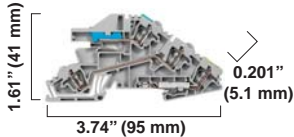
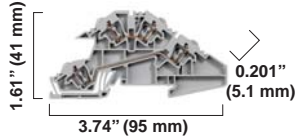
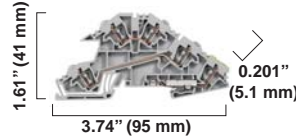
<p>Dimensions are not intended to be used for manufacturing purposes. Note: Height dimension is measured from top of rail to top of terminal block.</p>	
Specifications	<p><i>Knife disconnect feed-through terminal block</i></p>
Certifications	
Voltage Rating	600V AC/DC
Maximum Current	20 A
Wire Range (Rated Cross Section)	#30...12 AWG
Wire Strip Length	0.39 in. (10 mm)
Density	59 pcs/ft (196 pcs/m)
Housing Temperature Range	-58...+248 °F (-50...+120 °C)

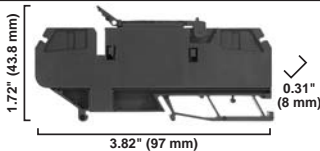
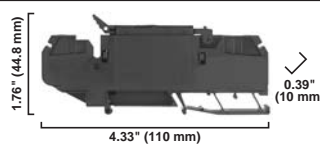
	1492-L3P			1492-LDG3P			1492-LDAG3		
Dimensions are not intended to be used for manufacturing purposes. Note: Height dimension is measured from top of rail to top of terminal block.									
Specifications	Single circuit plug-in component block for a variety of components			Terminal block with slot for plug-in component, feed-through circuit and 1 ground connection			Analog Loop Control Terminal Block with 2 Feed-Through Circuits and 1 Ground Connection		
Certifications		CSA	IEC		CSA	IEC		CSA	IEC
Voltage Rating	600V AC/DC		500V AC/DC	300V AC/DC		250V AC/DC	300V AC/DC		250V AC/DC
Maximum Current	20 A		24 A	10 A		20 A	10 A		24 A
Wire Range (Rated Cross Section)	#30...12 AWG		4 mm ²	#26...12 AWG		2.5 mm ²	#26...12 AWG		2.5 mm ²
Wire Strip Length	0.39 in. (10 mm)			0.31 in. (8 mm)			0.31 in. (8 mm)		
Density	59 pcs/ft (196 pcs/m)			59 pcs/ft (196 pcs/m)			59 pcs/ft (196 pcs/m)		
Housing Temperature Range	-58...+248 °F (-50...+120 °C)			-58...+248 °F (-50...+120 °C)			-58...+248 °F (-50...+120 °C)		

	1492-L31P			1492-L3T1P			1492-L3Q2P		
Dimensions are not intended to be used for manufacturing purposes. Note: Height dimension is measured from top of rail to top of terminal block.									
Specifications	Single circuit terminal block with 1 fixed and 1 plug-in connection. Plug-in connectors can be individual or grouped configurations.			Single circuit terminal block with 2 fixed and 1 plug-in connection. Plug-in connectors can be individual or grouped configurations.			Single circuit terminal block with 2 fixed and 2 plug-in connections. Plug-in connectors can be individual or grouped configurations.		
Certifications		CSA	IEC		CSA	IEC		CSA	IEC
Voltage Rating	300V AC/DC		500V AC/DC	300V AC/DC		500V AC/DC	300V AC/DC		500V AC/DC
Maximum Current	20 A		24 A	20 A		24 A	20 A		24 A
Limited Rating - Voltage†	600V AC/DC		—	600V AC/DC		—	600V AC/DC	—	—
Limited Rating - Current†	5 A		—	5 A		—	5 A	—	—
Wire Range (Rated Cross Section)	#26...12 AWG		0.5...2.5 mm ²	#26...12 AWG		0.5...2.5 mm ²	#26...12 AWG		0.5...2.5 mm ²
Wire Strip Length	0.394 in. (10 mm)			0.394 in. (10 mm)			0.394 in. (10 mm)		
Density	59 pcs/ft (196 pcs/m)			59 pcs/ft (196 pcs/m)			59 pcs/ft (196 pcs/m)		
Housing Temperature Range	-58...+248 °F (-50...+120 °C)			-58...+248 °F (-50...+120 °C)			-58...+248 °F (-50...+120 °C)		

	1492-LD32P	1492-LG31P	1492-LG3T1P
<p>Dimensions are not intended to be used for manufacturing purposes. Note: Height dimension is measured from top of rail to top of terminal block.</p>			
Specifications	Two-circuit terminal block with 1 fixed and 1 plug-in connection. Plug-in connectors can be individual or grouped configurations.		Single circuit grounding terminal block with 1 fixed and 1 plug-in connection.
Certifications	UL, CSA, IEC	UL, CSA, IEC	UL, CSA, IEC
Voltage Rating	300V AC/DC	500V AC/DC	—
Maximum Current	20 A	24 A	Grounding
Limited Rating - Voltage*	600V AC/DC	—	—
Limited Rating - Current*	5 A	—	—
Wire Range (Rated Cross Section)	#26...12 AWG	0.5...2.5 mm ²	#26...12 AWG 0.5...2.5 mm ²
Wire Strip Length	0.394 in. (10 mm)		0.394 in. (10 mm)
Density	59 pcs/ft (196 pcs/m)		59 pcs/ft (196 pcs/m)
Housing Temperature Range	-58...+248 °F (-50...+120 °C)		-58...+248 °F (-50...+120 °C)

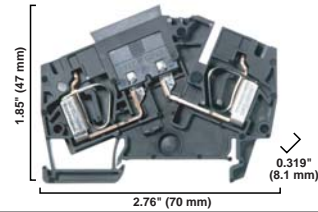
	1492-LD4DF	1492-LD4DR	1492-LD4SS*
<p>Dimensions are not intended to be used for manufacturing purposes. Note: Height dimension is measured from top of rail to top of terminal block.</p>			
Specifications	Two-level terminal block with an IN4007 diode in forward bias between the 2 levels.		Two level terminal block with an MOV between the 2 levels.
Certifications	UL, CSA, IEC	UL, CSA, IEC	UL, CSA, IEC
Voltage Rating	600V AC/DC	600V AC/DC	600V AC/DC 600V AC/DC 140V AC/DC
Maximum Current	25 A 30 A 32 A	25 A 30 A 32 A	120V — 32 A
Component Current/Wattage Rating*	1 A		25 A 30 A 32 A
Wire Range (Rated Cross Section)	#26...10 AWG 4 mm ²	#26...10 AWG 4mm ²	#26...10 AWG 26...10 AWG 4mm ²
Wire Strip Length	0.39 in. (10 mm)		0.39 in. (10 mm)
Density	49 pcs/ft (163 pcs/m)		49 pcs/ft (163 pcs/m)
Housing Temperature Range	-58...+248 °F (-50...+120 °C)		-58...+248 °F (-50...+120 °C)

	1492-LDG3ND			1492-LD3N			1492-LDG3N		
Dimensions are not intended to be used for manufacturing purposes. Note: Height dimension is measured from top of rail to top of terminal block.									
Specifications	3-Level terminal block with neutral disconnect and ground connection			2-Level feed-through terminal block for installation applications			3-Level terminal block with 2 feed-through and ground connection		
Certifications		CSA	IEC		CSA	IEC		CSA	IEC
Voltage Rating	600V AC/DC	300V AC/DC	400V AC/DC	600V AC/DC	300V AC/DC	400V AC/DC	600V AC/DC	300V AC/DC	400V AC/DC
Maximum Current	15 A	10 A	24 A	15 A	10 A	24 A	15 A	10 A	24 A
Wire Range (Rated Cross Section)	#26...12 AWG		2.5 mm ²	#26...12 AWG		2.5 mm ²	#26...12 AWG		2.5 mm ²
Wire Strip Length	0.31 in. (8 mm)			0.31 in. (8 mm)			0.31 in. (8 mm)		
Density	59 pcs/ft (196 pcs/m)			59 pcs/ft (196 pcs/m)			59 per ft/196 per meter		
Housing Temperature Range	-58...+248 °F (-50...+120 °C)			-58...+248 °F (-50...+120 °C)			-58...+248°F (-50...+120°C)		

	1492-RFB4...			1492-RAFB4...		
Dimensions are not intended to be used for manufacturing purposes. Note: Height dimension is measured from top of rail to top of terminal block.						
Specifications	Single-circuit fuse terminal block with or without blown fuse indicator			Single-circuit fuse terminal block with or without blown fuse indicator		
Certifications		cUR	IEC		cUR	IEC
Maximum Current	15 A*	15 A*	15 A*	12 A	12 A	12 A
Wire Range (Rated Cross Section)	#22...12 AWG	#22...12 AWG	0.5...4 mm ²	#22...12 AWG	#22...12 AWG	0.5...4 mm ²
Voltage Rating	RFB4/RAFB4	300V AC/DC		300V AC/DC		500V AC/DC
	RFB424/RAFB424	10...57V AC/DC		10...57V AC/DC		
	RFB4250/RAFB4250	85...264V AC		85...264V AC		
Indicator Type	RFB4/RAFB4	Non-indicating		Non-indicating		
	RFB424/RAFB424	LED		LED		
	RFB4250/RAFB4250	LED		LED		
Leakage Current	RFB4/RAFB4	—		—		
	RFB424/RAFB424	2 mA @ 24V		2 mA @ 24V		
	RFB4250/RAFB4250	1 mA @ 264V		1 mA @ 264V		
Fuse Size (Not Supplied)	5 x 20 mm			1/4 x 1 -1/4 in.		
Wire Strip Length	0.47 in. (12 mm)			0.47 in. (12 mm)		
Density	37 pcs/ft (125 pcs/m)			30 pcs/ft (100 pcs/m)		
Insulation Temperature Range	-4...+140 °F (-20...+60 °C)			-4...+221 °F (-40...+105 °C)		

1492-LAFB6

Dimensions are not intended to be used for manufacturing purposes.
Note: Height dimension is measured from top of rail to top of terminal block.



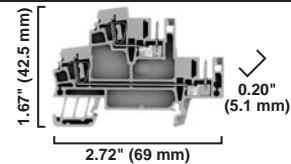
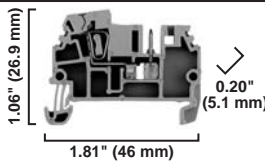
Specifications	<i>Single-circuit automotive style fuse terminal block with or without LED blown fuse indication</i>		
Certifications		CSA	IEC
Voltage Rating	-LAFB6 300V AC/DC		250V AC/DC
	-LAFB624	10...36V AC/DC	
Maximum Current	30 A	25 A	30 A
Wire Range (Rated Cross Section)	#22...12 AWG	#22... 10 AWG	0.5...6 mm ²
Wire Strip Length	0.394 in. (10 mm)		
Density	37 pcs/ft (123 pcs/m)		
Housing Temperature Range	-58...+248 °F (-50...+120 °C)		

Plug-in Connection Blocks

1492-LC3

1492-LDC3

Dimensions are not intended to be used for manufacturing purposes.
Note: Height dimension is measured from top of rail to top of terminal block.



Specifications	<i>Feed-through terminal block with plug in comb connection on one side.</i>			<i>Two Circuit terminal block with plug in comb connection on one side of each circuit</i>		
Certifications		CSA	IEC		CSA	IEC
Voltage Rating	300V AC/DC		250V AC/DC	300V AC/DC		250V AC/DC
Maximum Current	10 A		16 A	10 A		16 A
Wire Range (Rated Cross Section)	#26...12 AWG		2.5 mm ²	#26...14 AWG		2.5 mm ²
Wire Strip Length	0.39 in. (10 mm)			0.39 in. (10 mm)		
Density	59 pcs/ft (196 pcs/m)			59 pcs/ft (196 pcs/m)		
Housing Temperature Range	-58...+248 °F (-50...+120 °C)			-58...+248 °F (-50...+120 °C)		

Short-Circuit Current Ratings — Fuse Ratings

Cat. No.	Wire Cu [AWG]		Overcurrent Protection Fuse Required Class/Max. Amp Rating						Maximum Voltage	SCCR, RMS SYM [A]
	Line	Load	J	T	RK1	RK5	G	CC		
1492-L3	14...12	14...12	30	30	—	—	30	30	600	100,000
1492-L3Q										
1492-L3T										
1492-LD3										
1492-L3QS										
1492-LMJ3										
1492-LMJG3										
1492-LKD3										
1492-L3P										
1492-LG3T										
1492-LG3Q										
1492-LG3										
1492-LD3C										
1492-LDG3C										
1492-LDG3										
1492-LC3										
1492-LDC3										
1492-LDG3P										
1492-LDG3ND										
1492-LDG3N										
1492-LD3N										
1492-LD31P										
1492-LD3Q2P										
1492-LG31P										
1492-LG3T1P										
1492-L3T1P										
1492-LDG3FB										
1492-L4	14...10	14...10	60	60	30	—	30	30	600	100,000
1492-L4Q										
1492-L4T										
1492-LD4										
1492-LD4C										
1492-LG4										
1492-LG4T										
1492-LG4Q										
1492-LD4DFX2										
1492-L6	14...8	14...8	60	60	30	—	60	30	600	100,000
1492-L6T										
1492-LG6										
1492-LG6T	14...8	14...8	60	60	30	—	60	30	300	100,000
1492-LAFB6										
1492-L10	14...6	14...6	100	100	60	30	60	30	600	100,000
1492-LG10										
1492-L16	14...4	14...4	100	100	60	30	60	30	600	100,000
1492-LG16										
1492-L35	12...2	12...2	200	200	100	30	60	30	600	100,000
1492-LG35										

Mounting Rails

Cat. No.	Description	Pkg Qty.	Dimensions*
199-DR1	Symmetrical Rail 35 mm x 7.5 mm 3.28 ft (1 m) long Zinc-Plated Clear Chromated Steel EN60715 DIN #3	10	
199-DR2	Same as Cat. No. 199-DR1, but length = 2 m	20	
199-DR4	Heavy Duty Symmetrical Rail 35 mm x 15 mm 3.28 ft (1 m) long Zinc-Plated Clear Chromated Steel EN60715 DIN #3	5	
1492-DR3	Mini 15 mm x 5.5 mm Rail 3.28 ft (1 m) long Zinc-Plated Clear Chromated Steel EN60715 DIN #2	5	
1492-DR5	Symmetrical Rail 35 mm x 7.5 mm 3.28 ft (1 m) long Copper-Free Aluminum EN60715 For Bul. 1492 Terminal Blocks Only DIN #3	10	
‡ 1492-DR6	Symmetrical Rail 35 mm x 7.5 mm 2.26 in. (57.4 mm) high 3.28 ft (1 m) long Copper-Free Aluminum For Bul. 1492 Terminal Blocks Only DIN #3	2	
‡ 1492-DR7	Symmetrical Rail 35 mm x 7.5 mm 2.80 in. (71.0 mm) high 3.28 ft (1 m) long Angled 30° Zinc-Plated, Chromated Steel DIN #3	2	
1492-DR8	Symmetrical Rail 35 mm x 15 mm 3.28 ft (1 m) long Copper EN60715 DIN #3	5	
§ 1492-DR9	Symmetrical Rail 35 mm x 15 mm 3.28 ft (1 m) long Zinc-Plated Clear Chromated Steel EN60715 DIN #3	5	

* Dimensions shown in inches (millimeters). Dimensions are not intended to be used for manufacturing purposes.
 ‡ 0.218 x 0.50 in. (5.5 x 12.7 mm) slotted mounting holes every 3 in. (76.2 mm) starting 1.69 in. (42.9 mm) from end.
 § Dimensions in millimeters.

End Barriers

End barriers are required to provide the necessary insulation for the last terminal block in a group.


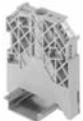



Dimensions Width x Length x Height	For Use With	Color	Pkg Qty.	Cat. No.
0.08 x 1.14 x 2.03 in. (2 x 28.9 x 51.5 mm)	1492-L2, LG2	Grey	50	1492-EBL2
		Blue	50	1492-EBL2-B
		Yellow	50	1492-EBL2-Y
0.08 x 1.14 x 2.48 in. (2 x 28.9 x 63 mm)	1492-L2T, LG2T	Grey	50	1492-EBL2T
		Blue	50	1492-EBL2T-B
		Yellow	50	1492-EBL2T-Y
0.08 x 1.14 x 2.95 in. (2 x 28.9 x 75 mm)	1492-L2Q, LG2Q	Grey	50	1492-EBL2Q
		Blue	50	1492-EBL2Q-B
		Yellow	50	1492-EBL2Q-Y
0.08 x 1.15 x 2.34 in. (2 x 29.1 x 59.5 mm)	1492-L3, LG3, LKD3, L3P	Grey	50	1492-EBL3
		Blue	50	1492-EBL3-B
		Yellow	50	1492-EBL3-Y
0.08 x 1.20 x 2.54 in. (2 x 30.6 x 64.5 mm)	1492-L3T, LG3T	Grey	50	1492-EBL3T
		Blue	50	1492-EBL3T-B
		Yellow	50	1492-EBL3T-Y
0.08 x 1.20 x 3.11 in. (2 x 30.6 x 79 mm)	1492-L3Q, L3QS, LG3Q	Grey	50	1492-EBL3Q
		Blue	50	1492-EBL3Q-B
		Yellow	50	1492-EBL3Q-Y
0.10 x 1.06 x 2.8 in. (2.5 x 27 x 71 mm)	1492-L31P, 1492-LG31P	Yellow	50	1492-EBL31P-Y
	1492-L3T1P, 1492-LG3T1P	Grey	50	1492-EBL3T1P
		Yellow	50	1492-EBL3T1P-Y
0.08 x 1.20 x 3.11 in. (2 x 30.6 x 79 mm)	1492-L3Q2P	Grey	50	1492-EBL3Q2P
0.10 x 1.76 x 3.17 in. (2.5 X 44.7 x 80.5)	1492-LD32P	Grey	50	1492-EBLD32P
0.08 x 1.37 x 2.44 in. (2 x 34.85 x 62 mm)	1492-L4, LG4	Grey	50	1492-EBL4
		Blue	50	1492-EBL4-B
		Yellow	50	1492-EBL4-Y
0.08 x 1.37 x 3.31 in. (2 x 34.85 x 84 mm)	1492-L4T, LG4T	Grey	50	1492-EBL4T
		Blue	50	1492-EBL4T-B
		Yellow	50	1492-EBL4T-Y
0.08 x 1.37 x 4.13 in. (2 x 34.85 x 105 mm)	1492-L4Q, LG4Q	Grey	50	1492-EBL4Q
		Blue	50	1492-EBL4Q-B
		Yellow	50	1492-EBL4Q-Y
0.08 x 1.45 x 2.56 in. (2 x 36.95 x 65 mm)	1492-L6, LG6	Grey	50	1492-EBL6
		Blue	50	1492-EBL6-B
		Yellow	50	1492-EBL6-Y
0.08 x 1.45 x 3.54 in. (2 x 36.95 x 90 mm)	1492-L6T, LG6T	Grey	50	1492-EBL6T
		Blue	50	1492-EBL6T-B
		Yellow	50	1492-EBL6T-Y
0.12 x 1.67 x 2.89 in. (3 x 42.5 x 73.5 mm)	1492-L10, LG10	Grey	20	1492-EBL10
		Blue	20	1492-EBL10-B
		Yellow	20	1492-EBL10-Y
0.12 x 1.71 x 3.25 in. (3 x 43.5 x 82.5 mm)	1492-L16, LG16	Grey	20	1492-EBL16
		Blue	20	1492-EBL16-B
		Yellow	20	1492-EBL16-Y
—	1492-LAFB6	Black	50	1492-EBLAFB6
0.08 x 1.65 x 2.95 in. (2 x 41.9 x 75 mm)	1492-LD2, LDG2, LD2C, LDG2C	Grey	50	1492-EBLD2
		Blue	20	1492-EBLD2-B
		Yellow	20	1492-EBLD2-Y
0.08 x 1.87 x 2.85 in. (2 x 47.5 x 72.5 mm)	1492-LD3, LD3C, LDG3, LDG3C	Grey	20	1492-EBLD3
		Blue	20	1492-EBLD3-B
		Yellow	20	1492-EBLD3-Y
0.08 x 2.05 x 2.99 in. (2 x 52 x 76 mm)	1492-LD4, LD4C, LDG4, LDG4C, LD4DF, LD4DR, LD4RB..., LD4SS	Grey	20	1492-EBLD4
		Blue	20	1492-EBLD4-B
		Yellow	20	1492-EBLD4-Y

End Barriers

Dimensions Width x Length x Height	For Use With	Color	Pkg Qty.	Cat. No.
0.20 x 0.94 x 1.31 in. (5.1 x 23.8 x 33.3 mm)	1492-LMP3, LMP3Q	Grey	50	1492-EBLMP3
		Blue	50	1492-EBLMP3-B
0.20 x 0.94 x 1.31 in. (5.1 x 23.8 x 33.3 mm)	1492-LM3, LM3Q, LMG3, LMP3E, LMP3QE	Grey	50	1492-EBLM3
		Grey	50	1492-EBLMJ3
0.06 x 0.97 x 1.38 in. (1.5 x 24.65 x 35 mm)	1492-LMJ3, LMJG3	Blue	50	1492-EBLMJ3-B
		Yellow	50	1492-EBLMJ3-Y
		Grey	20	1492-EBLTF3
0.06 x 2.32 x 4.35 in. (1.5 x 59 x 110.5 mm)	1492-LTF3	Grey	50	1492-EBLS2-3
0.06 x 2.69 x 1.77 in. (5 x 68.5 x 45 mm)	1492-LS2-3, LS2-3L, LSG2-3		50	1492-EBLS2-4
0.20 x 3.2 x 1.77 in. (5 x 81.5 x 45 mm)	1492-LS2-4, LS2-4L, LSG2-4		20	1492-EBLDAG3
0.06 x 1.81 x 3.74 in. (1.5 x 46 x 95 mm)	1492-LDAG3, LDG3P		20	1492-EBLC3
0.10 x 1.04 x 1.81 in. (2.5 x 26.4 x 46 mm)	1492-LC3		20	1492-EBLDC3
0.10 x 1.65 x 2.72 in. (2.5 x 41.85 x 69 mm)	1492-LDC3		20	1492-BSPJLD3N
—	1492-LDG3ND, LD3N, LDG3N		20	1492-BSPJLD3N-B
—	1492-LDG3ND, LD3N, LDG3N		20	

End Anchor/End Retainers

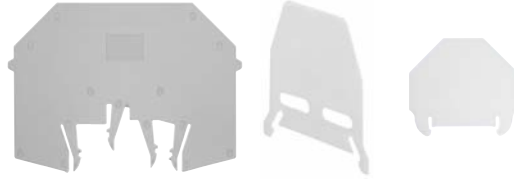
End anchors and end retainers mount at both ends of a group of terminal blocks to add rigidity to the terminal assembly and prevent sliding along the rails.

Photo	Dimensions Width x Length x Height	Tightening Torque	Markers	For Use With	Color	Pkg Qty.	Cat. No.
	0.31 x 2.20 x 1.85 in. (8 x 56 x 47 mm)	4.4 lb•in (0.5 N•m)	1492-M7X12 1492-M8X5	199-DR1, 199-DR2, 1492-DR4, 1492-DR5, 1492-DR6, 1492-DR7, 1492-DR8, 1492-DR9	Grey	100	1492-EAJ35
	0.48 x 2.20 x 2.48 in. (12.2 x 56 x 63 mm)	4.4 lb•in (0.5 N•m)	1492-M7X12 1492-M5X5	199-DR1, 199-DR2, 1492-DR4, 1492-DR5, 1492-DR6, 1492-DR7, 1492-DR8, 1492-DR9	Grey	50	1492-EAHJ35
	0.31 x 1.06 x 1.06 in. (8 x 27 x 27 mm)	3.5 lb•in (0.9 N•m)	1492-M5X5	1492-DR3	Grey	50	1492-EAJ15
	0.24 x 2.19 x 1.63 in. (6 x 55.6 x 41.5 mm)	—	1492-M5X10 1492-M5X5	199-DR1, 199-DR2, 1492-DR4, 1492-DR5, 1492-DR6, 1492-DR7, 1492-DR8, 1492-DR9	Grey	20	1492-ERL35
	0.20 x 0.96 x 0.75 in. (5 x 24.5 x 19 mm)	—	1492-M5X10 1492-M5X5	1492-DR3	Grey	20	1492-ERL15

Partition Plates and Separation Plates

Partition plates allow visual and electrical separation of terminal groups and provide the necessary electrical spacing between adjacent insulated jumpers or between exposed ends of cut jumpers.

Separation plates consist of flexible thermoplastic material and are used between terminal blocks to isolate adjacent center jumpers both visually and electrically.



Dimensions Width x Length x Height	For Use With	Color	Pkg Qty.	Cat. No.
Partition Plates				
0.118 x 3.15 x 2.48 in. (3 x 80 x 63 mm)	1492-JD3, JD3C, JD3F, JD3DF, JD3DR, JD3RC..., JD3SS	Grey	20	1492-PPJD3
0.005 x 3.54 x 2.51 in. (0.13 x 90.1 x 63.8 mm)	1492-JD3P..., JDG3P...	Beige	20	1492-PPJD3P
0.08 x 1.57 x 1.20 in. (2 x 40 x 30.5 mm)	1492-WM3, WM4, WMG3, WMG4	Grey	50	1492-PPM3
0.014 x 2.28 x 1.51 in. (0.35 x 58 x 38.3 mm)	1492-WMD1	Grey	50	1492-PPMD1
0.06 x 1.85 x 1.57 in. (1.5 x 47 x 40 mm)	1492-W3, W4, WG4	Grey	50	1492-PP3
0.06 x 2.17 x 1.81 in. (1.5 x 55 x 46 mm)	1492-W6, W10, W16S, W4TW, WG6, WG10S, WG16S	Grey	50	1492-PP10
0.014 x 2.88 x 1.85 in. (0.35 x 73.2 x 47.1 mm)	1492-WTF3..., WTS3...	Beige	50	1492-PPTS3
0.06 x 1.93 x 2.36 in. (1.5 x 49 x 60 mm)	1492-J3, J4, J6, J10, J2Q, J3TW, J3F, JG2Q, JG3, JG3TW, JKD3, JKD3TP, J3P, J3PTP, JTC3	Grey	20	1492-EBJ16
		Blue	20	1492-EBJ16-B
		Yellow	20	1492-EBJ16-Y
Separation Plates				
.014 x 1.76 x 1.57 in. (0.35 x 44.8 x 40.0 mm)	1492-W3, W4	Beige	50	1492-SP3
	All 1492-FPK2 Fuse Plugs	Beige	50	1492-SPJ3

Jumpers use the terminal block wire openings. Multi-pole jumpers can be cut into a smaller number of poles. Jumpers carry 100% of rated terminal block current. The back of IEC style jumpers are insulated with plastic. An adjacent partition plate provides the necessary electrical spacings between adjacent jumpers or between exposed ends of cut jumpers.

Center Jumpers — Screw Type

These center jumpers are insulated and are available in 2-...50-pole configurations. They mount with screws into the screw type terminal blocks.

Note: The following rules apply when going across different potentials with jumpers cut out:

- Always de-rate to 400V
- Always use a partition plate where a cut jumper strip may leave a live end exposed

Center Jumpers — Screwless Type

These center jumpers are insulated and are available in 2-...50-pole configurations. They mount without screws into the both Spring-Clamp terminal blocks and some screw terminal blocks.


Note: When using multiple screwless jumpers in 1492-J3, 1492-J2Q, or 1492-J4 terminal blocks, the following rules apply when going across different potentials with jumpers cut out:

- When using all 3 channels, or 2 side-by-side channels, de-rate to 125V
- When using 2 outside channels (leaving the center channel open), de-rate to 400V
- Always use a partition plate where a cut jumper strip may leave a live end exposed


Center Jumper Covers

Center jumper covers can be used as an extruded marking surface for circuit identification.

Center Jumper Configuration Plates

Photo	For Use With	Color	Pkg Qty.	Cat. No.
Center Jumper Spacer Plate				
	1492-L4 to 1492-L3Q, L3 1492-L6 to 1492-L3Q, L3	Grey	25	1492-LJS

Step-Down Distribution Jumpers

Photo	For Use With	Pkg Qty.	Cat. No.
	1492-J35 to 1492-J4 or J6	10	1492-CJJ16SD68
	1492-J16 to 1492-J4 or J6	10	1492-CJJ12SD68
	1492-J35 to 1492-J3	10	1492-CJJ16SD5
	1492-J16 to 1492-J3	10	1492-CJJ12SD5

Screw Type Center Jumpers



For Use With	Pkg Qty.	Cat. No.
1492-J3, JD3..., JDG3..., J2Q, J3TW, J3F, JD3F	50	1492-CJJ5-2
	50	1492-CJJ5-3
	50	1492-CJJ5-4
	20	1492-CJJ5-10
1492-J4, J4M	50	1492-CJJ6-2
	50	1492-CJJ6-3
	50	1492-CJJ6-4
	20	1492-CJJ6-10
1492-J6	50	1492-CJJ8-2
	50	1492-CJJ8-3
	50	1492-CJJ8-4
	20	1492-CJJ8-10
1492-J10	50	1492-CJJ10-2
	50	1492-CJJ10-3
	50	1492-CJJ10-4
	20	1492-CJJ10-10
1492-J16	20	1492-CJJ12-2
	20	1492-CJJ12-3
	20	1492-CJJ12-4
	10	1492-CJJ12-10
1492-J35	20	1492-CJJ16-2
	20	1492-CJJ16-3
	20	1492-CJJ16-4
	10	1492-CJJ16-10
1492-J50	10	1492-CJJ18-2
	10	1492-CJJ18-3
	10	1492-CJJ18-4
1492-J70	5	1492-CJJ20-2
	5	1492-CJJ20-3
	5	1492-CJJ20-4
1492-WM3	10	1492-CJM5-2
	10	1492-CJM5-3
	10	1492-CJM5-4
	10	1492-CJM5-5
	10	1492-CJM5-10
1492-W3, WM3, WR3, WTF3..., WTS3...	10	1492-CJL5 (Link)
1492-WR3	5	1492-CJD5-50
	10	1492-CJD5-2
	10	1492-CJD5-3
	10	1492-CJD5-4
	10	1492-CJD5-5
	10	1492-CJD5-10

Note: Notching out one or more jumper poles, with the notched jumpers going across different potentials, will require de-rating to 400V.

For Use With	Pkg Qty.	Cat. No.
1492-WM4	5	1492-CJD6-50
	10	1492-CJD6-2
	10	1492-CJD6-3
	10	1492-CJD6-4
	10	1492-CJD6-5
1492-WM4, W4TW	10	1492-CJD6-10
	10	1492-CJLD6 (Link)
1492-W3	10	1492-CJ5-2
	10	1492-CJ5-3
	10	1492-CJ5-10
	20	1492-CJCW5 (CJ Cover)★
1492-WTF3..., WTS3...	5	1492-CJT5-50
	10	1492-CJT5-2
	10	1492-CJT5-3
	10	1492-CJT5-4
	10	1492-CJT5-5
1492-W4, W4TW	10	1492-CJT5-10
	5	1492-CJ6-50
	10	1492-CJ6-2
	10	1492-CJ6-3
	10	1492-CJ6-4
	10	1492-CJ6-5
1492-W4	10	1492-CJ6-10
	10	1492-CJL6 (Link)
1492-W4, W6, W10	20	1492-CJCW6 (CJ Cover)
1492-W6	5	1492-CJ7-40
	10	1492-CJ7-2
	10	1492-CJ7-3
	10	1492-CJ7-4
	10	1492-CJ7-5
10	1492-CJ7-10	
1492-W6	10	1492-CJL7 (Link)
1492-W10	5	1492-CJ8-40
	10	1492-CJ8-2
	10	1492-CJ8-3
	10	1492-CJ8-4
	10	1492-CJ8-5
1492-W10	10	1492-CJ8-10
	10	1492-CJL8 (Link)
1492-W16S	10	1492-CJS11-2
	10	1492-CJS11-3
	10	1492-CJS11-4
	10	1492-CJS11-5
	10	1492-CJS11-10

★ May only be used as a marking surface. May not be installed over center jumper.

Screwless Center Jumpers



For Use With	Color	Pkg Qty.	Cat. No.
1492-L2..., L2T, L2Q, LD2, LD2C	Yellow	60	1492-CJL4-2
		60	1492-CJL4-3
		60	1492-CJL4-4
		60	1492-CJL4-5
		20	1492-CJL4-10
1492-LM3, LC3, LDC3, LDAG3, LDG3P, JKD3..., J3P..., J3, J3TW (see Note)	Yellow	60	1492-CJLJ5-2
	Black	60	1492-CJLJ5-2-BL
	Yellow	60	1492-CJLJ5-3
	Yellow	60	1492-CJLJ5-4
		20	1492-CJLJ5-5
		20	1492-CJLJ5-6
		20	1492-CJLJ5-7
		20	1492-CJLJ5-8
		20	1492-CJLJ5-9
		20	1492-CJLJ5-10
	Red	20	1492-CJLJ5-10-R
	Black	20	1492-CJLJ5-10-BL
	Yellow	10	1492-CJLJ5-50
	Red	10	1492-CJLJ5-50-R
	Blue	10	1492-CJLJ5-50-B
Black	10	1492-CJLJ5-50-BL	
White	10	1492-CJLJ5-50-W	

For Use With	Pkg Qty.	Cat. No.
1492-RFB4	10	1492-CJR8-2
	10	1492-CJR8-3
	10	1492-CJR8-4
	10	1492-CJR8-5
	10	1492-CJR8-6
	10	1492-CJR8-7
	10	1492-CJR8-8
	10	1492-CJR8-9
	10	1492-CJR8-10
	1492-RAFB4	10
10		1492-CJRA10-3
10		1492-CJRA10-4
10		1492-CJRA10-5

For Use With	Color	Pkg Qty.	Cat. No.
1492-J4, J4M (see Note)	Yellow	60	1492-CJLJ6-2
	Red	60	1492-CJLJ6-2-R
	Blue	60	1492-CJLJ6-2-B
	Black	60	1492-CJLJ6-2-BL
	Yellow	60	1492-CJLJ6-3
	Blue	60	1492-CJLJ6-3-B
	Black	60	1492-CJLJ6-3-BL
	Yellow	60	1492-CJLJ6-4
	Yellow	20	1492-CJLJ6-10
	Red	20	1492-CJLJ6-10-R
	Blue	20	1492-CJLJ6-10-B
	Black	20	1492-CJLJ6-10-BL
	Yellow	10	1492-CJLJ6-41
	Red	10	1492-CJLJ6-41-R
	Blue	10	1492-CJLJ6-41-B
1492-L6, L6T, L16D	Yellow	60	1492-CJL8-2
		60	1492-CJL8-3
		60	1492-CJL8-4
		10	1492-CJL8-32
1492-L10	Yellow	25	1492-CJL10-2
1492-L16	Yellow	25	1492-CJL12-2
1492-L35	Yellow	10	1492-CJL16-2
1492-L3, L3T, L3Q, L3P, LD3, LD3C, LK3, LTF3, LS2..., L16D	Yellow	60	1492-CJK5-2
		60	1492-CJK5-3
		60	1492-CJK5-4
		20	1492-CJK5-5
		20	1492-CJK5-6
		20	1492-CJK5-7
		20	1492-CJK5-8
		20	1492-CJK5-9
		20	1492-CJK5-10
		10	1492-CJK5-50
1492-L4, L4T, L4Q, LD4DF, LD4DR, LD4SS, LD4, LD4C, L16D	Yellow	60	1492-CJK6-2
		60	1492-CJK6-3
		60	1492-CJK6-4
		20	1492-CJK6-5
		20	1492-CJK6-6
		20	1492-CJK6-7
		20	1492-CJK6-8
		20	1492-CJK6-9
		20	1492-CJK6-10
		20	1492-CJK6-20

Side Jumpers

For Use With	Pkg Qty.	Cat. No.
1492-WM4, W4	50	1492-N42
1492-H4, H5, H6, H7	10	1492-N49
	10	★ 1492-SJS
1492-W3, WR3	10	1492-SJ5-10
1492-JD3, JD3C, JD3F, JDG3, JD3DF, JD3DR, JD3SS, JDG3P	50	1492-SJ5A-10
1492-JD3, JD3C, JD3F, JDG3, JD3DF, JD3DR, JD3SS, JDG3P	50	1492-SJ5A-24
1492-JD3, JD3C, JD3F, JDG3, JD3DF, JD3DR, JD3SS, JDG3P	50	1492-SJ5B-24
1492-JD3, JD3C, JD3F, JDG3, JD3DF, JD3DR, JD3SS, JDG3P	50	1492-SJ5B-10
1492-WM4, W4, W4TW	10	‡ 1492-SJ6-10
1492-JT3M	5	1492-SJ6A-50
1492-W10	10	1492-SJ8-10
1492-JD3FB, JDG3FB	50	1492-SJ8A-4
1492-JD3FB, JDG3FB	50	1492-SJ8A-3
1492-JD3FB, JDG3FB	50	1492-SJ8A-2
1492-LMP3, LMP3Q, LMJ3, LM3, LM3Q, LMP3E, LMP3QE	50	1492-SJLM5-2
1492-WMD1	10	§ 1492-SJMD5-12
1492-WFB4, WFB424, WFB4250	10	1492-SJFB8-10
1492-WM3	10	1492-SJM5-10
1492-WTF3, WTS3, WTF3LP, WTS3LP, WTF3LP, WTF3LN, WTS3LN	10	1492-SJT5-20-R
1492-WTF3, WTS3, WTF3LP, WTS3LP, WTF3LP, WTF3LN, WTS3LN	10	1492-SJT5-20-B

Note: Side jumpers carry the same current rating as the terminal block used with it

★ Side jumper insulating sleeve only for use with Cat. No. 1492-N49

‡ Use jumper on single side of terminal block only

§ Uninsulated

Two-Level Jumper

For Use With	Pkg Qty.	Cat. No.
1492-LTF3 (Connects Two Levels within a 1492-LTF3 Terminal Block)	20	1492-CJL5D

Plugs and Other Accessories

Test plug sockets fit into the center bridge screw hole and allow easy connection of test plugs for circuit testing and troubleshooting.

Test Plugs — Spring-Clamp Terminal Blocks

2-...12-pole Quick Connection Euro style plugs.

Operating Instructions — Spring-Clamp Terminal Blocks


Cat. No. 1492-QCLABEL is an adhesive set of visual operating instructions that is intended for installation on the inside of a panel. It illustrates to maintenance personnel the correct operation of Spring-Clamp terminal blocks.

Insulation Stops — Spring-Clamp Terminal Blocks

Protective insulation stops prevent the insulation on conductors from being introduced into clamp and current bar area.






Test Plug Sockets, Test Plugs, Test Plug Adapters, and Test Adapters

Sockets★

Photo	Pkg Qty.	Cat. No.
	20	1492-TPS23
	50	1492-TPS23L
	50	1492-TPS4L

★ Required for testing Cat. No. 1492-J products with Cat. 1492-TP23 or 1492-TP40 test plugs.

Test Plugs





Photo	Pkg Qty.		Cat. No.
	20	‡	1492-TP23
	20	§	1492-TP40
	10	♣	1492-TP28
	25	♣	1492-TPCBM
	25	♣	1492-TPCMB

‡ Used in conjunction with Cat. No. 1492-TPS23 or 1492-TPS23L test sockets.



§ Used in conjunction with Cat. No. 1492-TPS4L socket.

♣ Used in conjunction with Cat. No. 1492-J4CTB terminal block.












Test Plug Adapters

Photo	Pkg Qty.	Cat. No.
	10	1492-TA285
	10	1492-TA40
	10	1492-TA40L
	25	1492-TPL5P

Test Plugs (Stackable)

Photo	Markers♣	Pkg Qty.	Cat. No.
	1492-M5X10, M5X5	25	1492-TPJ5
	1492-M5X10, M5X5	25	1492-TPJ6
	1492-M3X12, M3X5	25	1492-TPL4
	1492-M5X10, M5X5	25	1492-TPL5
	1492-M5X10, M5X5	25	1492-TPL6
	1492-M5X10, M5X5	25	1492-TPL8

♣ Marker cover screws.

Photo	Description	For Use With	Pkg Qty.	Cat. No.
	Jumper Notching Tool‡	1492-CJ...	1	1492-T1
	Unused Pin Cover on Connection Blocks	1492-JC3, JDC3	20	1492-PCJC3
	Disconnect Plug	1492-L3P, J3P..., JD3P..., JDG3P..., LD3R...	50	1492-DPL
	Plug-In Component Plug	1492-L3P, J3P..., JD3P..., JDG3P..., LD3R...	50	1492-CPL
	Fuse Plug — without Blown Fuse Indication	1492-L3P, J3P..., JD3P..., JDG3P..., JP3, JPKD3, JPGKD3, JPGKD3TP, LD3R..., JP3FB..., JPG3FB...	20	△ 1492-FPK2
	Fuse Plug — 10...36V Blown Fuse Indication		20	△ 1492-FPK224
	Fuse Plug — 35...70V Blown Fuse Indication		20	△ 1492-FPK248
	Fuse Plug — 60...150V Blown Fuse Indication		20	△ 1492-FPK2120
	Fuse Plug — 140...250V Blown Fuse Indication		20	△ 1492-FPK2250
	Fuse Lever — without indication	1492-JP3FB, JPG3FB, JPKD3, JPGKD3, JPGKD3TB	50	1492-FJPK2
	Fuse Lever w/LED — 10...36V		50	1492-FJPK224
	Fuse Lever w/LED — 35...70V		50	1492-FJPK248
	Fuse Lever w/LED — 60...150V		50	1492-FJPK2120
	Fuse Lever w/LED — 140...250V		50	1492-FJPK2250
	Mini-Block Jumper Insertion Tool§	1492-LM	1	1492-TAL5-2
	DIN Rail Adapter Plate for LMP3 Mini-Blocks	1492-LMP3	50	1492-MFLM
	Auxiliary Circuit Tap	1492-J50	5	1492-J50A
		1492-J70	5	1492-J70A
		1492-J120	5	1492-J120A
	Terminal Block screwdriver with hardened 3 mm diameter blade (Handle made from recycled material)	All 5...6 mm wide terminal blocks	5	1492-N90
	Wire cutting tool designed to attach directly to the shaft of the Cat. No. 1492-N90 screwdriver	1492-N90	1	1492-KWC


‡ Used to trim poles from center jumpers and side jumpers.

§ Used to install Cat. No. 1492-SJLM5-2 in mini blocks.

△ Use 5 x 20 mm fuses and are rated for AC and DC.


Plug-In and Sensor Connection Blocks

Plug-In Connection Blocks ★



Photo	Wire Range	For Use With	Pkg Qty.	Cat. No.
	#22...12 AWG (2.5 mm ²)	1492-JC3, JDC3, LC3, LDC3	100	1492-QP5-2
			100	1492-QP5-3
			100	1492-QP5-4
			50	1492-QP5-5
			50	1492-QP5-6
			50	1492-QP5-7
			50	1492-QP5-8
			50	1492-QP5-9
			50	1492-QP5-10
			50	1492-QP5-11
50	1492-QP5-12			

★ Tightening Torque: 3.5...4.4 lb•in. (0.4...0.5 N•m)




Sensor Connection Blocks

Photo	Wire Range	For Use With	Color	Pkg Qty.	Cat. No.
	#26...14 AWG (1.5 mm ²)	1492-LS2-3, LS2-3L, LSG2-3, LS2-4, LS2-4L, LSG2-4	Brown	100	1492-LS2-BR
			Blue	100	1492-LS2-B
			Green	100	1492-LSG2

Plug-In Connectors and Accessories for Flexible Configuration Blocks



Photo	Description	Color	Pkg Qty.	Cat. No.
Individual Plug-in Connectors				
	Standard	Grey	50	1492-STP
	Grounded	Green	50	1492-STP-G
Ganged Connectors				
	Start plug	Grey	50	1492-SBSTP
	Middle plug	Grey	50	1492-GSTP
	End plug	Grey	50	1492-EBSTP

Accessories

	Plug-in block locking element	Yellow	25	1492-STPLE
	Coding Element for keyed configuration	Yellow	50	1492-STPCE
	Strain Relief covering w plug-in blocks	Yellow	25	1492-STPSR

DIN Rail Receptacle

Convenient 15 A or 20 A power source designed to be installed in panels that will be used in North America and other locations that use the NEMA 5-15 socket (125V, 50/60 Hz).

Photo	Device Rating	Pkg Qty.	Cat. No.
Standard Duplex			
	15 A	1	1492-REC15
	20 A	1	1492-REC20
Ground Fault Circuit Interrupter (GFCI)			
	15 A	1	1492-REC15G
	20 A	1	1492-REC20G

Electrical Ratings		
	Standard Duplex	Ground Fault Circuit Interrupter (GFCI)
Certifications	UL LISTED	
	UL 508A, NEMA WD-6, NEMA 5-15R	
	UL498	UL 498, UL 943
Device Rating	15 A	15 Amp 125V
	20 A	20 Amp 125V
Operating Frequency	50/60 Hz	
Dielectric Voltage	Withstands 2000V per UL498	Withstands 1500V per UL498
	Short-Circuit Current Rating	10 kA
Environmental Ratings		
Operating Temperature Range	-31...+140 °F (-35...+60 °C)	
Storage Temperature Range	-13...+176 °F (-25...+80 °C)	
Mechanical Ratings		
Terminal Wire Sizes	#20...#10 AWG solid or stranded	
Terminal Torque	7 lb•in. (.79 N•m)	
Markers	1492-MS10X17	

Marking Solutions

Marking Solutions from Rockwell Automation enable efficient identification of terminal blocks and other components. The Allen-Bradley ClearMark™ Printer provides quality printing for high-volume users. The X-Y Plotter allows for flexible marking. Low-volume marking needs are supported by pre-printed and custom markers.

ClearMark Printer and Accessories

The ClearMark Printer provides quality printing in an easy-to-use format for high-volume marking needs. Used with AllenBradley ClearTools™ software, customers can create markers with basic numbering to sequences and images.



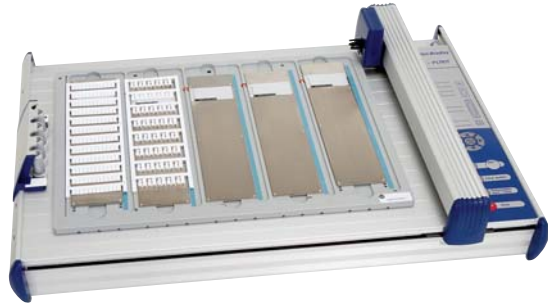
- Fast: Less than two minutes to print and set a full card
- Easy: Integrated feeder for up to 20 marker cards
- Low-maintenance: Will automatically cycle as needed to keep ink flowing
- Quality printing: 600 or 1200 dpi
- Color printing: Use spot color printing on white marker cards for visual distinction

System Requirements

- Operating system: Microsoft Windows 2000, XP or Vista
- Memory: 64 MB RAM
- Hard drive: 90 MB available space
- Processor: Pentium III or comparable
- Graphics: 800x600 pixels with 256 colors (ideal 1024x768 with 16-bit high color)

X-Y Plotter and Accessories

The flexible marking tool of the Allen-Bradley terminal block product line is the X-Y Plotter.










- Plot partial marker cards
- Load up to five cards at a time (mix and match)
- Easy to use AB-Plot software

System Requirements

- Operating system: Microsoft Windows 98, 2000, XP, or Vista
- Hard drive: 50 MB available space
- Processor: 80486
- Parallel or USB communication port

Blank Markers

Photo	For Use With	Markers per Card	Marker Size	Pkg Qty.	Cat. No.
  	1492-L	100	3 x 5 mm	5	1492-M3X5
	1492-L	120	3 x 12 mm	5	1492-M3X12
	1492-J, L	200	5 x 5 mm	5	1492-M5X5
		144	5 x 8 mm	5	1492-M5X8
		144	5 x 10 mm	5	1492-M5X10
		144	5 x 12 mm	5	1492-M5X12
		96	5 x 15 mm	5	1492-M5X15
		20	5 x 30 mm	5	‡ 1492-M5X30
	1492-J, L	200	6 x 5 mm	5	1492-M6X5
	120	6 x 10 mm	5	1492-M6X10	
	1492-J, L, 1738 ArmorPoint™	120	6 x 12 mm	5	1492-M6X12
	1492-J, L	108	7 x 12 mm	5	1492-M7X12
		160	8 x 5 mm	5	1492-M8X5
	NEMA (1492-HM1, -HM2, -HM3) Terminal Blocks, 1492-CB Circuit Breakers	120	6 x 10 mm	5	1492-MN81
	NEMA (1492-HM3) Terminal Blocks, 1492-CB Circuit Breakers	40	10 x 10 mm	5	1492-MN83
	1492-W,R, 700-HA Relays	56	8 x 9 mm	5	1492-MS8X9
56		8 x 12 mm	5	1492-MS8X12	
700-HN204, -HN205, Relay Sockets	40	8 x 17 mm	5	1492-MS8X17	
1667 PanelConnect™	40	9 x 20 mm	5	1492-MS9X20	
100-C, -D Contactors, 700-CF Relays, 140 Circuit Breakers, 193-E1, -E3	40	10 x 17 mm	5	1492-MS10X17	
Snap-In Linked Markers 1492-MR 	1492-J, -L	120	5 x 8 mm	5	1492-MR5X8
		120	6 x 8 mm	5	1492-MR6X8
		120	5 x 12 mm	5	1492-MR5X12
		120	6 x 12 mm	5	1492-MR6X12
		84	8 x 12 mm	5	1492-MR8X12
	1492-WM3, -WMD1	80	5 x 5 mm	5	1492-MS5X5
	1492-W, 700-HA, 800F Contact Block	80	5 x 9 mm	5	1492-MS5X9
	1492-W, 700-H Relays	80	5 x 12 mm	5	1492-MS5X12
	1492-W, -R, 700-H Relays	80	6 x 9 mm	5	1492-MS6X9
	1492-W, 700-H Relays	80	6 x 12 mm	5	1492-MS6X12
Snap-In Hinged Markers 	1492-L	96	5 x 10 mm	5	1492-MH5X10
		96	5 x 15 mm	5	1492-MH5X15
		80	6 x 12 mm	5	1492-MH6X12
Cable Markers 1492-MW 	External Diameter (mm)	Markers per Card	Marker Size	Pkg. Qty.	Cat. No.
	from 0.276 in. (from 7.0 mm)	32	9 x 24 mm★	5	1492-MW9X24
	from 0.276 in. (from 7.0 mm)	32	5 x 23 mm★	5	1492-MW10X23
	from 0.276 in. (from 7.0 mm)	32	8 x 23 mm★	5	1492-MW14X23
	from 0.276 in. (from 7.0 mm)	12	11 x 44 mm★	5	1492-MW11X60
	0.162...0.193 in. (4.1...4.9 mm)	32	5 x 21 mm§	5	1492-MW5-21
	0.185...0.229 (0.268) in. (4.7...5.8 [6.8] mm)	32	6 x 21 mm§	5	1492-MW6-21
	0.229...0.276 (0.335) in. (5.8...7.0 [8.5] mm)	32	7 x 21 mm§	5	1492-MW7-21




★ Requires cable ties.

‡ Requires Cat. No. 1492-GMC

§ Requires Cat. No. 1492-PLOTPLTA

Marking Systems

Blank Markers, Continued

Photo	For Use With	Markers per Card	Marker Size	Pkg Qty.	Cat. No.
Self-Adhesive Markers 1492-MAS 	Self-adhesive for any equipment	40	9 x 17 mm	5	1492-MAS9X17
	Bul. No. relays, self-adhesive for any equipment	40	6 x 15 mm	5	1492-MAS6X15
	1760-PICO GFX-70 Cont., self-adhesive for any equipment	40	9 x 11 mm	5	1492-MAS9X11
Wire Markers 1492-MWC 	0.059...0.098 in. (2.0...3.5 mm)/White	40	4.25 x 21 mm	5	1492-MWC1-21
	0.078...0.138 in. (2.0...5.0 mm)/White	40	4.25 x 21 mm	5	1492-MWC3-21
	0.098...0.197 in. (2.0...5.0 mm)/White	24	6 x 21 mm	5	1492-MWC4-21
	0.059...0.098 in. (1.5...2.5 mm)/White	40	4.25 x 12 mm	5	1492-MWC1-12
	0.078...0.138 in. (2.0...3.5 mm)/White	40	4.25 x 12 mm	5	1492-MWC3-12
Snap-In Individual Markers for Rockwell Automation products and Competitive Terminal Blocks 1492-MC 	0.098...0.197 in. (2.0...5.0 mm)/White	24	6 x 12 mm	5	1492-MWC4-12
	Wago	100	4 x 9 mm	5	1492-MCW4X9
	Phoenix, Entrlec, Telemacanique, Legrand	120	5 x 8 mm	5	1492-MC5X8
	Wieland and Telemecanique	100	5 x 12 mm	5	1492-MC5X12
	Wago	100	5 x 9 mm	5	1492-MCW5X9F
	Wago	100	5 x 9 mm	5	1492-MCW5X5
	Wago	100	5 x 5 mm	5	1492-MCW6X9
	Phoenix	100	4 x 5 mm	5	1492-MC4X5
	Bul. No. 1492-FB fuse holder and Phoenix	100	5 x 5 mm	5	1492-MC5X5
	Bul. No. 1492-FB fuse holder and Phoenix	100	6 x 5 mm	5	1492-MC6X5
	Bul. No. 700-HL relays, and Phoenix, Wieland, Entrlec, Telemacanique, Legrand	120	6 x 10 mm	5	1492-MC6X10
	Phoenix and Entrlec	100	8 x 10 mm	5	1492-MC6X10
	Phoenix	100	7 x 5 mm	5	1492-MC7X5
	Phoenix	100	5 x 4 mm	5	1492-MC5X4
	Siemens	64	7 x 10 mm	5	1492-MCS7X10
	Siemens	64	6 x 10 mm	5	1492-MCS6X10
	Siemens	80	5 x 10 mm	5	1492-MCS5X10
Siemens	64	7 x 7 mm	5	1492-MCS7X7	
Siemens	80	5 x 8 mm	5	1492-MCS5X8	
Siemens	64	6 x 8 mm	5	1492-MCS6X8	

1492 Pre-Printed Markers

Pre-printed markers are packaged in quantities of 5 with a minimum order quantity of 5 cards.



Catalog Number Explanation **1492** – **M5x10** **H** **1-100**
a *b* *c*

a

Marker Selection		
Code		
M3x5	MS6X9	MCS6X8
M3x12	MS6X12	MC6X10
M5x5	MS8X9	MCW1-12
M5x8	MS8X12	MCW3-12
M5x10	MS9X20	MCW4-12
M5x12	MS8X17	MAS9X17
M5x15	MS10X17	MAS6X15
M5X30	MC5X8	MAS9X11
M6x5	MC5X10	MW9X24
M6x10	MC5X12	MW10X23
M6x12	MCW4X9	MW14X23
M7x12	MCW5X9	MW11X60
M8x5	MCW5X9F	MW5-21
MR5X8	MCW5X5	MW6-21
MR6X8	MCW6X9	MW7-21
MR5X12	MC4X5	MWC1-21
MR6X12	MC5X5	MWC3-21
MR8x12	MC6X5	MWC4-21
MH5X10	MC8X10	MWC1-12B
MH5X15	MC7X5	MWC1-12R
MH6X12	MC5X4	MCW1-12Y
MMN81	MCS7X10	MWC3-12B
MN83	MCS5X10	MWC3-12R
MS5x5	MCS6X10	MWC3-12Y
MS5x9	MCS7X7	MWC4-12B
MS5X12	MCS5X8	MWC4-12R
		MWC4-12Y

b

Text Direction	
Code	Description
H	Horizontal Print
V	Vertical Print
HU	Horizontal Upside-down Print
VU	Vertical Upside-down Print
HR	Horizontal Print, reversed data for each column
VR	Vertical Print, reversed data for each column
HUR	Horizontal Upside-down Print, reversed data for each column
VUR	Vertical Upside-down Print, reversed data for each column
C	Custom

c


Printing Selection	
Straight Fill Printing	
Option 1-End will start at 1 and continue printing sequential numbers until the end of the card is reached.	
1-End	Sequential printing to end of card
L	Continuous printing "L" on card
L1	Continuous printing "L1" on card
L2	Continuous printing "L2" on card
L3	Continuous printing "L3" on card
U	Continuous printing "U" on card
V	Continuous printing "V" on card
W	Continuous printing "W" on card
PE	Continuous printing "PE" on card
GND	Continuous printing "GND" on card
Repeat Sequence Printing	
All Options in this section will print the defined sequence in a repeating fashion until all tags are filled. (Example - Option 1-100 with a marker selection of M5x10 will print 1-100 and 1-44.)	
1-10 -or- 11-20 -or- 21-30 -or- ... -or- 491-500	Block of 10 sequential numbering. Blocks of 10 within a range from 1...500.
1-20 -or- 21-40 -or- 41-60 -or- ... -or- 481-500	Block of 20 sequential numbering. Blocks of 20 within a range from 1...500.
1-50 -or- 51-100 -or- 101-150 -or- ... -or- 451-500	Block of 50 sequential numbering. Blocks of 50 within a range from 1...500.
1-100 -or- 101-200 -or- ... -or- 401-500	Block of 100 sequential numbering. Blocks of 100 within a range from 1...500.
Single Sequence Printing	
All options in this section will print the defined sequence 1 time only and will leave the rest of the marker tags blank. (Example - Option 1-100S with a marker selection of M5x10 will print 1-100 and leave 44 blank markers).	
1-10S -or- 11-20S -or- 21-30S -or- ... -or- 491-500S	Block of 10 sequential numbering. Blocks of 10 within a range from 1...500.
1-20S -or- 21-40S -or- ... -or- 481-500S	Block of 20 sequential numbering. Blocks of 20 within a range from 1...500.
1-50S -or- 51-100S -or- ... -or- 451-500S	Block of 50 sequential numbering. Blocks of 50 within a range from 1...500.
1-100S -or- 101-200S -or- ... -or- 401-500S	Block of 100 sequential numbering. Blocks of 100 within a range from 1...500.

Custom Printed Marker Cards

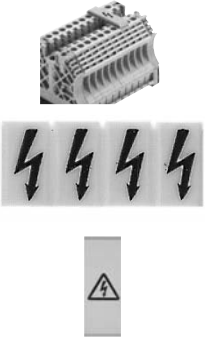

- Download and install Clear Tools software available at <http://ab.rockwellautomation.com/Terminal-Blocks/Marker-Printer#/tab4>
<http://ab.rockwellautomation.com/Terminal-Blocks/Marker-Printer#/tab4>
- Create your custom marker card using the ClearTools software and save your file.
- Place the custom order by adding the letter “C” to the end of the marker cat. no. (Example: If the custom marker that was created in Step 2 is Cat. No. 1492-M6X12, an order will be placed with the new Cat. No. 1492-M6X12C.) Then, document the order number for Step 4.
- E-mail the custom marker file to **RAMilwCustomMarkers@ra.rockwell.com**. Include the following items:
 - Allen Bradley order number (in the subject of the e-mail)
 - Created file (attached to the e-mail)
 - Quantity (the number of needed copies of the file)
 - Company information (with a contact name and number in the e-mail)

Note: Minimum quantity is 1 card per order.



	Description	Pkg Qty.	Cat. No.
	End anchor top marker carrier	50	1492-GMC

Electrical Warning Plate Markers

Photo	For Use With	Color	Pkg Qty.	Cat. No.
	1492-J	Yellow	25	1492-EWPJ5
	1492-J	Yellow	50	1492-EWPJ8
	1492-J	Yellow	50	1492-EWPJ12
	1492-J	Yellow	50	1492-EWPJ18
	1492-L	Yellow	20	1492-EWPL5
	1492-L	Yellow	20	1492-EWPL6
	1492-L	Yellow	20	1492-EWPL8
	1492-L	Yellow	20	1492-EWPL10
	1492-L	Yellow	20	1492-EWPL12
	1492-L	Yellow	20	1492-EWPL16
	1492-W	Yellow	10	1492-EWP5
	1492-W	Yellow	10	1492-EWP5-4
	1492-W	Yellow	10	1492-EWP6-4
	1492-W	Yellow	10	1492-EWP7
	1492-W	Yellow	10	1492-EWP7-4
	1492-W	Yellow	10	1492-EWP8
	1492-W	Yellow	10	1492-EWP8-4
	1492-W	Yellow	10	1492-EWP11
	1492-W	Yellow	10	1492-EWP11-4

Tie Point Terminal Blocks — Type JD3C, LD2C, LD3C, and LD4C

ATTENTION

The total current flow through these terminal blocks (the sum of all inputs or the sum of all outputs) must not exceed the rated current for the device.

Description		Type	Rating
Maximum total current flow through the terminal block		LD2C	10 A
		JD3C, LD3C	20 A
		LD4C	25 A
Maximum working voltage		LD2C	300V
		JD3C, LD3C, LD4C	600V
Ambient temperature range	Operating	All	-4...+104 °F (-20...+40 °C)
	Storage	All	-40...+167 °F (-40...+75 °C)

Diode Terminal Blocks — Type JD3DR, JD3DF, LD4DF, and LD4DR^Δ

Description	Symbol	Type	Rating
Peak Repetitive Reverse Voltage Working Peak Reverse Voltage DC Blocking Voltage	V (RRM) V (RWM) V (R)	JD3DF, JD3DR, LD4DF, LD4DR	600V
Non-Repetitive Peak Reverse Voltage (Halfwave, single phase, 60 Hz)	V (RSM)	JD3DF, JD3DR, LD4DF, LD4DR	600V
RMS Reverse Voltage ‡	V (Rrms)	JD3DF, JD3DR, LD4DF, LD4DR	600V
Average Rectified Forward Current Single Phase, Resistive Load, 60 Hz	I (O)	All	1.0 A
Non-Repetitive Peak Surge Current (Surge applied at rated load)	I (FSM)	All	30 A (1 cycle)
Maximum Forward Voltage Drop [I (F) = 1.0 A]	V (F)	All	1.1V
Maximum Reverse Current	I (R)	All	10 μA
Ambient temperature range	Operating	All	-4...+104 °F (-20...+40 °C)
	Storage	All	-40...+167 °F (-40...+75 °C)

All parameters measured at 77 °F (25 °C).

^Δ Performance Data — See this catalog, page Important-3. Performance data given in this catalog is provided as a guide for the user in determining suitability and does not constitute a warranty. It may represent the result of accelerated testing at elevated stress levels and the user should correlate it to actual application requirements. Actual performance is subject to Allen-Bradley WARRANTY and LIMIT OF LIABILITY.

‡ The maximum voltage rating of the diode terminal blocks listed in the above table should not be exceeded even though the maximum reverse voltage rating of the diode alone is 1000V.

Surge Suppressor Performance Characteristics and Electrical Component Data^Δ

Surge Suppressor Terminal Blocks	
Performance Characteristic	Cat. No.
	JD3SS, JD3PSS, JD3SSTP, JDG3PSS, JDG3PSSTP, LD4SS
Nominal Working Voltage (Volts AC or DC)	120
Maximum AC Working Voltage RMS Continuous (60 Hz)	140
Maximum DC Working Voltage Continuous	180
Maximum Clamping Voltage at Current I_p (8/20 μs Pulse)	360V $I_p = 10 A$
Maximum Voltage Rate of Rise Bulletin 100 Contactors Types A38...B180 Bulletin 500 Contactors & Starters, Size 0...5 Bulletin 700 Relays	—
Peak Current (8/20 μs Pulse)	1200 A
Typical Leakage Current at Nominal AC Working Voltage	< 0.1 mA
Metal Oxide Varistor (MOV) Maximum Clamping Voltage at Current I_p (8/20 μs Pulse) Maximum Transient Energy Maximum Power Dissipation	10 J 0.25 W

Technical Specifications for Fuse Plugs*

Characteristic	1492-FPK2	1492-FPK224	1492-FPK248	1492-FPK2120	1492-FPK2250
Indicator Type	Non-Indicating	LED	LED	LED	LED
Leakage Current	—	1.6 mA @ 24V	1.6 mA @ 24V	1.6 mA @ 24V	1.6 mA @ 264V
Working Voltage	Per Fuse Rating	10...36V AC/DC	35...70V AC/DC	60...150V AC/DC	140...250V AC
Fuse Size	5 x 20 mm				
Marker	1492-M5X5				

* IEC standards for 5 x 20 mm fuses do not include ratings above 6.3 A.

UL/CSA File and Guide Numbers Arranged by Base Cat. Nos.

Base Cat. No.	UL Number§		CSA Number	
	File	Guide	File	Class
1492-H4, -H5, -H6, -H7	E40735	XCFR2	LR67896	622801
1492-R	E40735 E187022	XCFR2 XCIB2 XCFR8	—	—
1492-RG	E160646 E40735 E187022	KDER2 XCFR2 XCIB2	—	—
1492-UF3	E40735	XCFR2	LR67896	622801
1492-W	E40735 E187022	XCFR2 XCIB2	LR67896 LR14074	622801 622801
1492-WG	E40735 E187022	XCFR2 XCIB2	LR67896 LR14074	622801 622801
1492-J	E40735	XCFR2 XCIB2	223923	622801 622801
1492-JG	E40735 E187022	XCFR2 XCIB2	223923	622801 622801
1492-L	E40735 E187022	XCFR2 XCIB2	223923	622801 622801
1492-LG	E40735 E187022	XCFR2 XCIB2	223923	622801 622801

§ These numbers are actually UL file and guide numbers, as these products are UL Recognized Components per Canadian Safety Standards (cUR).

Terminal Block Specifications

Cat. No.	Wire Size [AWG]																		
	#30	#28	#26	#24	#22	#20	#18	#16	#14	#12	#10	#8	#6	#4	#2	#1	1/0	2/0	3/0
	(0.05)	(0.08)	(0.13)	(0.21)	(0.33)	(0.5)	(0.75)	(1.5)	(2.5)	(4)	(6)	(10)	(16)	(25)	(35)	(40)	(50)	(70)	(80)
Number of the Same Size Wires Per Terminal																			
1492-CA1	—	—	—	—	4	4	4	3	2	2	1	1	—	—	—	—	—	—	—
1492-CAM1	—	—	—	—	4	4	4	3	2	2	1	1	—	—	—	—	—	—	—
1492-H4	1	1	1	1	4	4	3	2	2	1	1	—	—	—	—	—	—	—	—
1492-H5	1	1	1	1	4	4	3	2	2	1	1	—	—	—	—	—	—	—	—
1492-H6	1	1	1	1	4	4	3	2	2	1	1	—	—	—	—	—	—	—	—
1492-H7	1	1	1	1	4	4	3	2	2	1	1	—	—	—	—	—	—	—	—
1492-HM3	—	—	—	—	4	4	4	3	2	2	1	1	—	—	—	—	—	—	—
1492-J10	—	—	—	—	4	4	4	4	3	2	1	1	1	—	—	—	—	—	—
1492-J16	—	—	—	—	—	—	1	4	4	3	2	1	1	1	—	—	—	—	—
1492-J2Q	—	—	4	4	4	3	1	1	1	1	—	—	—	—	—	—	—	—	—
1492-J3	4	4	4	4	4	4	3	3	2	1	—	—	—	—	—	—	—	—	—
1492-J35	—	—	—	—	—	—	—	—	3	3	3	2	2	1	1	1	1	—	—
1492-J3F	4	4	4	4	4	4	3	3	2	1	—	—	—	—	—	—	—	—	—
1492-J3P	4	4	4	4	3	3	3	3	2	1	—	—	—	—	—	—	—	—	—
1492-J3TW (single side)	4	4	4	4	4	4	3	3	2	1	—	—	—	—	—	—	—	—	—
1492-J3TW (twin side)	—	—	4	4	4	3	1	1	1	—	—	—	—	—	—	—	—	—	—
1492-J4	—	—	—	—	4	4	3	3	2	1	1	—	—	—	—	—	—	—	—
1492-J4CTB	—	—	1	1	4	4	3	3	2	1	1	—	—	—	—	—	—	—	—
1492-J4Q	1	1	1	1	1	4	3	3	2	1	1	—	—	—	—	—	—	—	—
1492-J4TW	1	1	1	1	1	4	3	3	2	1	1	—	—	—	—	—	—	—	—
1492-J50	—	—	—	—	—	—	—	—	—	—	1	2	2	1	1	1	1	—	—
1492-J6	—	—	—	—	4	4	3	3	3	2	1	1	—	—	—	—	—	—	—
1492-J6FB2	—	—	—	—	4	4	3	3	3	2	1	1	—	—	—	—	—	—	—
1492-J6FB224	—	—	—	—	4	4	3	3	3	2	1	1	—	—	—	—	—	—	—
1492-J6FB248	—	—	—	—	4	4	3	3	3	2	1	1	—	—	—	—	—	—	—
1492-J6FB2120	—	—	—	—	4	4	3	3	3	2	1	1	—	—	—	—	—	—	—
1492-J6FB2250	—	—	—	—	4	4	3	3	3	2	1	1	—	—	—	—	—	—	—
1492-J6FB1	—	—	—	—	4	4	3	3	3	2	1	1	—	—	—	—	—	—	—
1492-J6FB124	—	—	—	—	4	4	3	3	3	2	1	1	—	—	—	—	—	—	—
1492-J6FB148	—	—	—	—	4	4	3	3	3	2	1	1	—	—	—	—	—	—	—
1492-J6FB1120	—	—	—	—	4	4	3	3	3	2	1	1	—	—	—	—	—	—	—
1492-J6FB1250	—	—	—	—	4	4	3	3	3	2	1	1	—	—	—	—	—	—	—
1492-J70	—	—	—	—	—	—	—	—	5	5	5	2	2	2	1	1	1	1	1

Terminal Block Specifications

Maximum number of multiple wire connections for copper conductors of the same cross-section and type for Allen-Bradley IEC Terminal Blocks.

Cat. Nos. 1492-L products are all recommended for one conductor per terminal. Wire range is defined in the cat. page for each of the products.

Cat. No.	Wire Size [AWG]																		
	#30	#28	#26	#24	#22	#20	#18	#16	#14	#12	#10	#8	#6	#4	#2	#1	1/0	2/0	3/0
	(0.05)	(0.08)	(0.13)	(0.21)	(0.33)	(0.5)	(0.75)	(1.5)	(2.5)	(4)	(6)	(10)	(16)	(25)	(35)	(40)	(50)	(70)	(80)
Number of the Same Size Wires Per Terminal																			
1492-JC3	—	—	4	4	4	3	1	1	1	1	—	—	—	—	—	—	—	—	—
1492-JD3	4	4	4	4	4	4	3	2	2	1	—	—	—	—	—	—	—	—	—
1492-JD3C	4	4	4	4	4	4	3	2	2	1	—	—	—	—	—	—	—	—	—
1492-JD3DF	4	4	4	4	4	4	3	2	2	1	—	—	—	—	—	—	—	—	—
1492-JD3DR	4	4	4	4	4	4	3	2	2	1	—	—	—	—	—	—	—	—	—
1492-JD3F	4	4	4	4	4	4	3	1	1	1	—	—	—	—	—	—	—	—	—
1492-JD3FB	4	4	4	4	4	4	3	3	2	1	—	—	—	—	—	—	—	—	—
1492-JD3PSS	—	—	—	—	4	4	3	2	1	1	—	—	—	—	—	—	—	—	—
1492-JD3PSSTP	—	—	—	—	4	4	3	2	1	1	—	—	—	—	—	—	—	—	—
1492-JD3PTP	—	—	—	—	4	4	3	2	1	1	—	—	—	—	—	—	—	—	—
1492-JD3RB***	4	4	4	4	4	4	3	2	2	1	—	—	—	—	—	—	—	—	—
1492-JD3RC001	4	4	4	4	4	4	3	2	2	1	—	—	—	—	—	—	—	—	—
1492-JD3SS	4	4	4	4	4	4	3	2	2	1	—	—	—	—	—	—	—	—	—
1492-JD4	—	—	1	1	1	4	3	3	2	1	1	—	—	—	—	—	—	—	—
1492-JD4C	—	—	1	1	1	4	3	3	2	1	1	—	—	—	—	—	—	—	—
1492-JDC3	4	4	4	4	4	4	3	2	2	1	—	—	—	—	—	—	—	—	—
1492-JDG3	4	4	4	4	4	4	3	2	2	1	—	—	—	—	—	—	—	—	—
1492-JDG3C	4	4	4	4	4	4	3	2	2	1	—	—	—	—	—	—	—	—	—
1492-JDG3FB	4	4	4	4	4	4	3	3	2	1	—	—	—	—	—	—	—	—	—
1492-JDG3P	—	—	—	—	4	4	3	2	1	1	—	—	—	—	—	—	—	—	—
1492-JDG3PSS	—	—	—	—	4	4	3	2	1	1	—	—	—	—	—	—	—	—	—
1492-JDG3PSSTP	—	—	—	—	4	4	3	2	1	1	—	—	—	—	—	—	—	—	—
1492-JDG3PTP	—	—	—	—	4	4	3	2	1	1	—	—	—	—	—	—	—	—	—
1492-JDG4	—	—	1	1	4	4	3	3	2	1	1	Multiple wire values valid only for upper connectors of terminal block.							—
1492-JDG4C	—	—	1	1	4	4	3	3	2	1	1	—	—	—	—	—	—	—	—
1492-JG10	—	—	—	—	4	4	4	4	3	2	1	1	1	—	—	—	—	—	—
1492-JG16	—	—	4	4	4	4	4	4	1	3	2	1	1	1	—	—	—	—	—
1492-JG2Q	—	—	4	4	4	3	1	1	1	—	—	—	—	—	—	—	—	—	—
1492-JG3	4	4	4	4	4	4	3	3	2	1	—	—	—	—	—	—	—	—	—
1492-JG35	—	—	—	—	—	—	—	—	3	3	3	2	2	1	1	1	—	—	—
1492-JG3TW (single side)	4	4	4	4	4	4	1	1	1	1	—	—	—	—	—	—	—	—	—
1492-JG3TW (twin side)	—	—	4	4	4	3	1	1	1	1	—	—	—	—	—	—	—	—	—

Terminal Block Specifications

Cat. No.	Wire Size [AWG]																		
	#30	#28	#26	#24	#22	#20	#18	#16	#14	#12	#10	#8	#6	#4	#2	#1	1/0	2/0	3/0
	(0.05)	(0.08)	(0.13)	(0.21)	(0.33)	(0.5)	(0.75)	(1.5)	(2.5)	(4)	(6)	(10)	(16)	(25)	(35)	(40)	(50)	(70)	(80)
	Number of the Same Size Wires Per Terminal																		
1492-JG4	—	—	—	—	4	4	3	3	2	1	1	—	—	—	—	—	—	—	—
1492-JG4Q	1	1	1	1	4	4	3	3	3	2	1	—	—	—	—	—	—	—	—
1492-JG4TW	1	1	1	1	4	4	3	3	3	2	1	—	—	—	—	—	—	—	—
1492-JG50	—	—	—	—	—	—	—	—	—	—	1	2	2	1	1	1	1	—	—
1492-JG6	—	—	—	—	4	4	3	3	3	2	1	1	—	—	—	—	—	—	—
1492-JG70	—	—	—	—	—	—	—	—	5	5	5	2	2	2	1	1	1	1	—
1492-JKD3	4	4	4	4	3	3	3	3	2	1	—	—	—	—	—	—	—	—	—
1492-JKD3TP	4	4	4	4	3	3	3	3	2	1	—	—	—	—	—	—	—	—	—
1492-JKD4	—	—	—	—	4	4	3	3	2	1	1	—	—	—	—	—	—	—	—
1492-JKD4Q	1	1	1	1	1	4	3	3	2	1	1	—	—	—	—	—	—	—	—
1492-JKD4QTP	1	1	1	1	1	4	3	3	2	1	1	—	—	—	—	—	—	—	—
1492-JKD4TP	—	—	—	—	4	4	3	3	2	1	1	—	—	—	—	—	—	—	—
1492-JKD4TW	1	1	1	1	1	4	3	3	2	1	1	—	—	—	—	—	—	—	—
1492-JKD4TWTP	1	1	1	1	1	4	3	3	2	1	1	—	—	—	—	—	—	—	—
1492-JP3	—	—	—	—	—	—	—	—	—	—	—	—	—	—	—	—	—	—	—
1492-JP3FB	—	—	1	1	1	1	1	1	2	1	—	—	—	—	—	—	—	—	—
1492-JP3FB24	—	—	1	1	1	1	1	1	2	1	—	—	—	—	—	—	—	—	—
1492-JP3FB48	—	—	1	1	1	1	1	1	2	1	—	—	—	—	—	—	—	—	—
1492-JP3FB120	—	—	1	1	1	1	1	1	2	1	—	—	—	—	—	—	—	—	—
1492-JP3FB250	—	—	1	1	1	1	1	1	2	1	—	—	—	—	—	—	—	—	—
1492-JPG3	—	—	1	1	1	1	1	1	2	1	—	—	—	—	—	—	—	—	—
1492-JPG3FB	—	—	1	1	1	1	1	1	2	1	—	—	—	—	—	—	—	—	—
1492-JPG3FB24	—	—	1	1	1	1	1	1	2	1	—	—	—	—	—	—	—	—	—
1492-JPG3FB48	—	—	1	1	1	1	1	1	2	1	—	—	—	—	—	—	—	—	—
1492-JPG3FB120	—	—	1	1	1	1	1	1	2	1	—	—	—	—	—	—	—	—	—
1492-JPG3FB250	—	—	1	1	1	1	1	1	2	1	—	—	—	—	—	—	—	—	—
1492-JPGKD3	—	—	1	1	1	1	1	1	2	1	—	—	—	—	—	—	—	—	—
1492-JPGKD3TP	—	—	—	—	—	—	—	—	—	—	—	—	—	—	—	—	—	—	—
1492-JPKD3	—	—	1	1	1	1	1	1	2	1	—	—	—	—	—	—	—	—	—
1492-JPO	—	—	4	—	1	1	3	2	2	1	—	—	—	—	—	—	—	—	—
1492-JSD4	—	—	1	1	4	4	3	3	2	1	1	—	—	—	—	—	—	—	—
1492-JT3M	4	4	4	4	4	4	3	3	2	1	—	—	—	—	—	—	—	—	—
1492-W10	—	—	—	—	4	4	4	4	3	2	1	1	—	—	—	—	—	—	—
1492-W16S	—	—	—	—	—	—	—	—	4	3	2	2	1	1	—	—	—	—	—
1492-W3	4	—	—	—	4	4	3	2	1	—	—	—	—	—	—	—	—	—	—
1492-W4	—	—	—	—	4	4	3	2	2	1	1	—	—	—	—	—	—	—	—
1492-W6	—	—	—	—	4	4	3	2	2	1	1	—	—	—	—	—	—	—	—
1492-WD4	—	—	—	—	4	4	3	2	2	1	—	—	—	—	—	—	—	—	—
1492-WD4C	—	—	—	—	4	4	3	2	2	1	—	—	—	—	—	—	—	—	—
1492-WG4	—	—	—	—	4	4	3	2	2	1	—	—	—	—	—	—	—	—	—
1492-WG6	—	—	—	—	4	4	4	4	3	2	1	—	—	—	—	—	—	—	—
1492-WM3	4	—	—	—	4	3	2	1	1	—	—	—	—	—	—	—	—	—	—
1492-WM4	—	—	—	—	4	4	3	2	2	1	—	—	—	—	—	—	—	—	—
1492-WMD1	—	—	—	—	2	1	1	1	—	—	—	—	—	—	—	—	—	—	—
1492-WMG4	—	—	—	—	4	4	3	2	2	1	—	—	—	—	—	—	—	—	—
1492-WR3	—	—	—	—	4	4	3	2	1	—	—	—	—	—	—	—	—	—	—
1492-WTF3	—	—	4	4	4	4	3	2	1	—	—	—	—	—	—	—	—	—	—
1492-WTF3LN	—	—	4	4	4	4	3	2	1	—	—	—	—	—	—	—	—	—	—
1492-WTF3LP	—	—	4	4	4	4	3	2	1	—	—	—	—	—	—	—	—	—	—
1492-WTS3	—	—	4	4	4	4	3	2	1	—	—	—	—	—	—	—	—	—	—
1492-WTS3LN	—	—	4	4	4	4	3	2	1	—	—	—	—	—	—	—	—	—	—
1492-WTS3LP	—	—	4	4	4	4	3	2	1	—	—	—	—	—	—	—	—	—	—

△ Performance Data — See this catalog, page Important- 3.

Performance data given in this catalog is provided as a guide for the user in determining suitability and does not constitute a warranty. It may represent the result of accelerated testing at elevated stress levels and the user should correlate it to actual application requirements. Actual performance is subject to Allen-Bradley WARRANTY and LIMIT OF LIABILITY.

IEC Terminal Block Specifications

Tie Point Terminal Blocks — Type JD3C, LD2C, LD3C, and LD4C

ATTENTION



The total current flow through these terminal blocks (the sum of all inputs or the sum of all outputs) must not exceed the rated current for the device.

Description		Type	Rating
Maximum total current flow through the terminal block		LD2C	10 A
		JD3C, LD3C	20 A
		LD4C	25 A
Maximum working voltage		LD2C	300V
		JD3C, LD3C, LD4C	600V
Ambient temperature range	Operating	All	-4...+104 °F (-20...+40 °C)
	Storage	All	-40...+167 °F (-40...+75 °C)

Diode Terminal Blocks — Type JD3DR, JD3DF, LD4DF, and LD4DR

Description	Symbol	Type	Rating
Peak Repetitive Reverse Voltage	V (RRM)	JD3DF, JD3DR, LD4DF, LD4DR	600V
Working Peak Reverse Voltage	V (RWM)		
DC Blocking Voltage	V (R)		
Non-Repetitive Peak Reverse Voltage (Halfwave, single phase, 60 Hz)	V (RSM)	JD3DF, JD3DR, LD4DF, LD4DR	600V
RMS Reverse Voltage ‡	V (Rrms)	JD3DF, JD3DR, LD4DF, LD4DR	600V
Average Rectified Forward Current Single Phase, Resistive Load, 60 Hz	I (O)	All	1.0 A
Non-Repetitive Peak Surge Current (Surge applied at rated load)	I (FSM)	All	30 A (1 cycle)
Maximum Forward Voltage Drop [I (F) = 1.0 A]	V (F)	All	1.1V
Maximum Reverse Current	I (R)	All	10 µA
Ambient temperature range	Operating	T (A)	-4...+104 °F (-20...+40 °C)
	Storage	T (S)	-40...+167 °F (-40...+75 °C)

All parameters measured at 77 °F (25 °C).

△ Performance Data — See this catalog, page Important-3. Performance data given in this catalog is provided as a guide for the user in determining suitability and does not constitute a warranty. It may represent the result of accelerated testing at elevated stress levels and the user should correlate it to actual application requirements. Actual performance is subject to Allen-Bradley WARRANTY and LIMIT OF LIABILITY.

‡ The maximum voltage rating of the diode terminal blocks listed in the above table should not be exceeded even though the maximum reverse voltage rating of the diode alone is 1000V.

Surge Suppressor Performance Characteristics and Electrical Component Data

Surge Suppressor Terminal Blocks	
Performance Characteristic	Cat. No.
	JD3SS, JD3PSS, JD3SSSTP, JDG3PSS, JDG3PSSTP, LD4SS
Nominal Working Voltage (Volts AC or DC)	120
Maximum AC Working Voltage RMS Continuous (60 Hz)	140
Maximum DC Working Voltage Continuous	180
Maximum Clamping Voltage at Current I_p (8/20 µs Pulse)	360V $I_p = 10 A$
Maximum Voltage Rate of Rise Bulletin 100 Contactors Types A38...B180 Bulletin 500 Contactors & Starters, Size 0...5 Bulletin 700 Relays	—
Peak Current (8/20 µs Pulse)	1200 A
Typical Leakage Current at Nominal AC Working Voltage	< 0.1 mA
Metal Oxide Varistor (MOV) Maximum Clamping Voltage at Current I_p (8/20 µs Pulse) Maximum Transient Energy Maximum Power Dissipation	10 J 0.25 W

Terminal Block Specifications

Technical Specifications for Fuse Plugs*

Characteristic	1492-FPK2	1492-FPK224	1492-FPK248	1492-FPK2120	1492-FPK2250
Indicator Type	Non-Indicating	LED	LED	LED	LED
Leakage Current	—	1.6 mA @ 24V	1.6 mA @ 24V	1.6 mA @ 24V	1.6 mA @ 264V
Working Voltage	Per Fuse Rating	10...36V AC/DC	35...70V AC/DC	60...150V AC/DC	140...250V AC
Fuse Size	5 x 20 mm				
Marker	1492-M5X5				

* IEC standards for 5 x 20 mm fuses do not include ratings above 6.3 A.

UL/CSA File and Guide Numbers Arranged by Base Cat. Nos.

Base Cat. No.	UL Number§		CSA Number	
	File	Guide	File	Class
1492-H4, -H5, -H6, -H7	E40735	XCFR2	LR67896	622801
1492-R	E40735 E187022	XCFR2 XCIB2 XCFR8	—	—
1492-RG	E160646 E40735 E187022	KDER2 XCFR2 XCIB2	—	—
1492-UF3	E40735	XCFR2	LR67896	622801
1492-W	E40735 E187022	XCFR2 XCIB2	LR67896 LR14074	622801 622801
1492-WG	E40735 E187022	XCFR2 XCIB2	LR67896 LR14074	622801 622801
1492-J	E40735	XCFR2 XCIB2	223923	622801 622801
1492-JG	E40735 E187022	XCFR2 XCIB2	223923	622801 622801
1492-L	E40735 E187022	XCFR2 XCIB2	223923	622801 622801
1492-LG	E40735 E187022	XCFR2 XCIB2	223923	622801 622801

§ These numbers are actually UL file and guide numbers, as these products are UL Recognized Components per Canadian Safety Standards (cUR).

	1492-F1	1492-F2	1492-F3
<p>Dimensions are not intended to be used for manufacturing purposes. Note: Height dimension is measured from top of rail to top of terminal block.</p>			
	<p>Terminal block, tubular screw with pressure plate.</p>	<p>Terminal block, tubular screw without pressure plate.</p>	<p>Terminal block, screw terminal with #6 screw.</p>
Specifications			
Certifications	UL/CSA	UL/CSA	UL/CSA
Voltage Rating	300V AC/DC	300 V AC/DC	300 V AC/DC
Maximum Current	25 A	25 A	25 A
Wire Range (Rated Cross Section)	#22...#14 AWG (0.5...2.5 mm ²)	#22...#14 AWG (0.5...2.5 mm ²)	#22...#14 AWG (0.5...2.5 mm ²)
Wire Strip Length	0.38 in. (9.7 mm)	0.38 in. (9.7 mm)	Prepared Conductors Only
Recommended Tightening Torque	4...10 lb•in (0.5...1.1 N•m)	6...10 lb•in (0.7...1.1 N•m)	6...10 lb•in (0.7...1.1 N•m)
Density	35 pcs/ft (115 pcs/m)	35 pcs/ft (115 pcs/m)	30 pcs/ft (98 pcs/m)
Insulation Temperature Range	-40...+221 °F (-40...+105 °C)	-40...+221 °F (-40...+105 °C)	-40...+221 °F (-40...+105 °C)

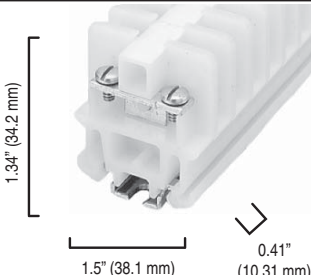
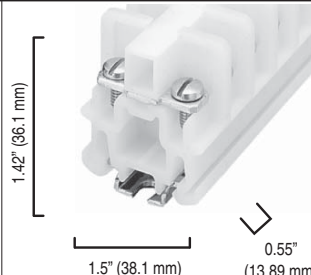
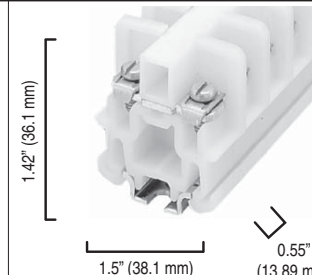
	1492-F8	1492-CA1	1492-CA1L
<p>Dimensions are not intended to be used for manufacturing purposes. Note: Height dimension is measured from top of rail to top of terminal block.</p>			
	<p>Terminal block, screw terminal with wire clamp.</p>	<p>Terminal block, tubular screw with pressure plate.</p>	<p>Terminal block, screw with large head, pressure plate.</p>
Specifications			
Certifications	UL/CSA	UL/CSA	UL/CSA
Voltage Rating	300V AC/DC	600V AC/DC	600V AC/DC
Maximum Current	25 A	55 A	55 A
Wire Range (Rated Cross Section)	#22...#14 AWG (0.5...2.5 mm ²)	#22...#8 AWG (0.5...10 mm ²)	#22...#8 AWG (0.5...10 mm ²)
Wire Strip Length	0.25 in. (6.4 mm)	0.38 in. (9.7 mm)	0.38 in. (9.7 mm)
Recommended Tightening Torque	6...14 lb•in (0.7...1.6 N•m)	8...16 lb•in (0.9...1.8 N•m)	8...16 lb•in (0.9...1.8 N•m)
Density	30 pcs/ft (98 pcs/m)	30 pcs/ft (98 pcs/m)	30 pcs/ft (98 pcs/m)
Insulation Temperature Range	-40...+221 °F (-40...+105 °C)	-40...+221 °F (-40...+105 °C)	-40...+221 °F (-40...+105 °C)

	1492-CAM1	1492-CAM1L	1492-CA2
Dimensions are not intended to be used for manufacturing purposes. Note: Height dimension is measured from top of rail to top of terminal block.			
	Terminal block, tubular screw with pressure plate, multi-rail mountable.	Terminal block, screw with large head, pressure plate, multi-rail mountable.	Terminal block, tubular screw without pressure plate.
Specifications			
Certifications	UL/CSA	UL/CSA	UL/CSA
Voltage Rating	600V AC/DC	600V AC/DC	600V AC/DC
Maximum Current	55 A	55 A	55 A
Wire Range (Rated Cross Section)	#22...#8 AWG (0.5...10 mm ²)	#22...#8 AWG (0.5...10 mm ²)	#18...#8 AWG (1...10 mm ²)
Wire Strip Length	0.38 in. (9.7 mm)	0.38 in. (9.7 mm)	0.38 in. (9.7 mm)
Recommended Tightening Torque	8...16 lb•in (0.9...1.8 N•m)	8...16 lb•in (0.9...1.8 N•m)	10...16 lb•in (1.1...1.8 N•m)
Density	30 pcs/ft (98 pcs/m)	30 pcs/ft (98 pcs/m)	30 pcs/ft (98 pcs/m)
Insulation Temperature Range	-40...+221 °F (-40...+105 °C)	-40...+221 °F (-40...+105 °C)	-40...+221 °F (-40...+105 °C)

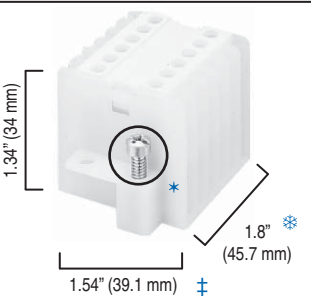
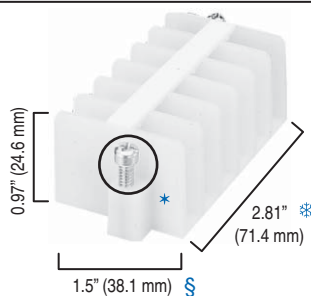
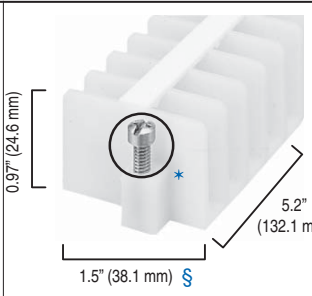
	1492-CAM2	1492-CD2	1492-CE2
Dimensions are not intended to be used for manufacturing purposes. Note: Height dimension is measured from top of rail to top of terminal block.			
	Terminal block, tubular screw without pressure plate, multi-rail mountable.	Terminal block, tubular screw without pressure plate.	Terminal block, tubular screw without pressure plate.
Specifications			
Certifications	UL/CSA	UL/CSA	UL/CSA
Voltage Rating	600V AC/DC	600V AC/DC	600V AC/DC
Maximum Current	55 A	100 A	195 A
Wire Range (Rated Cross Section)	#18...#8 AWG (1...10 mm ²)	#14...#4 AWG (2.5...25 mm ²)	#12...#1/0 AWG (4...50 mm ²)
Wire Strip Length	0.38 in. (9.7 mm)	0.44 in. (11.2 mm)	0.69 in. (17.5 mm)
Recommended Tightening Torque	10...16 lb•in (1.1...1.8 N•m)	22...30 lb•in (2.5...3.4 N•m)	50 lb•in (5.6 N•m)
Density	30 pcs/ft (98 pcs/m)	22 pcs/ft (72 pcs/m)	16 pcs/ft (52 pcs/m)
Insulation Temperature Range	-40...+221 °F (-40...+105 °C)	-40...+221 °F (-40...+105 °C)	-40...+221 °F (-40...+105 °C)

Short-Circuit Current Ratings — Fuse Ratings

Cat. No.	Wire CU AWG		Overcurrent Protection Fuse Required Class/Max. Amp Rating						Maximum Voltage	SCCR, RMS SYM [A]
	Line	Load	J	T	RK1	RK5	G	CC		
1492-CAM1	14...8	14...8	60	60	30	—	50	30	600	100,000
1492-CD2	14...4	14...4	100	100	60	30	60	30	600	100,000
1492-CE2	12...1/0	12...1/0	100	100	60	30	60	30	600	100,000

	1492-CA3	1492-CD3	1492-CD8
<p>Dimensions are not intended to be used for manufacturing purposes. Note: Height dimension is measured from top of rail to top of terminal block.</p>			
	<p><i>Terminal block, screw terminal with #6 screw.</i></p>	<p><i>Terminal block, screw terminal with #8 screw.</i></p>	<p><i>Terminal block, screw terminal with wire clamp.</i></p>
Specifications	<i>Terminal block, screw terminal with #6 screw.</i>	<i>Terminal block, screw terminal with #8 screw.</i>	<i>Terminal block, screw terminal with wire clamp.</i>
Certifications	UL/CSA	UL/CSA	UL/CSA
Voltage Rating	600V AC/DC	600V AC/DC	600V AC/DC
Maximum Current	20 A	35 A	35 A
Wire Range (Rated Cross Section)	#22...14 AWG (0.5...2.5 mm ²)	#22...10 AWG (0.5...6 mm ²)	#22...10 AWG (0.5...6 mm ²)
Wire Strip Length	Prepared Conductors Only★	Prepared Conductors Only★	0.38 in. (9.7 mm)
Recommended Tightening Torque	12 lb•in (1.4 N•m)	10...16 lb•in (1.1...1.8 N•m)	10...16 lb•in (1.1...1.8 N•m)
Density	30 pcs/ft (98 pcs/m)	22 pcs/ft (72 pcs/m)	22 pcs/ft (72 pcs/m)
Insulation Temperature Range	-40...+221 °F (-40...+105 °C)	-40...+221 °F (-40...+105 °C)	-40...+221 °F (-40...+105 °C)

★ Prepared conductors utilize ring, spade, or hook connectors.

	1492-HC6	1492-HJ86	1492-HJ812
<p>Dimensions are not intended to be used for manufacturing purposes.</p>			
	<p><i>High-density 6-pole panel mount terminal block. Can be interconnected to make 12- and 18-pole units.</i></p>	<p><i>Standard 6-pole panel mount block. Screw terminal with wire clamp.</i></p>	<p><i>Standard 12-pole panel mount block. Screw terminal with wire clamp.</i></p>
Specifications	<i>High-density 6-pole panel mount terminal block. Can be interconnected to make 12- and 18-pole units.</i>	<i>Standard 6-pole panel mount block. Screw terminal with wire clamp.</i>	<i>Standard 12-pole panel mount block. Screw terminal with wire clamp.</i>
Certifications	UL/CSA	UL/CSA	UL/CSA
Voltage Rating	600V AC/DC	600V AC/DC	600V AC/DC
Maximum Current (per pole)	25 A	25 A	25 A
Wire Range (Rated Cross Section)	#30...#12 AWG (0.05...4 mm ²)	#16...#12 AWG (1.5...4 mm ²)	#16...#12 AWG (1.5...4 mm ²)
Wire Strip Length	0.38 in. (9.7 mm)	0.38 in. (9.7 mm)	0.38 in. (9.7 mm)
Recommended Tightening Torque	3...7 lb•in (0.3...0.8 N•m)	8...16 lb•in (0.9...1.8 N•m)	8...16 lb•in (0.9...1.8 N•m)
Insulation Temperature Range	-40...+221 °F (-40...+105 °C)	-40...+221 °F (-40...+105 °C)	-40...+221 °F (-40...+105 °C)

★ #8-32 screw.

‡ Measurement between mounting screw centers.

§ Mounting screws are offset 0.31 in. (7.9 mm) from centerline.

♣ Mounting screws are offset 0.19 in. (4.76 mm) from centerline.

	1492-15T	1492-25T
Dimensions are not intended to be used for manufacturing purposes.		
Specifications	High temperature 1-pole panel mount block, wire clamp. Gangable for multi-pole installation.	High temperature 1-pole panel mount block, wire clamp. Gangable for multi-pole installation.
Voltage Rating	600V AC/DC	600V AC/DC
Maximum Current (per pole)	35 A	45 A
Wire Range (Rated Cross Section)	#16...12 AWG (1.5...4 mm ²)	#16...10 AWG (1.5...6 mm ²)
Wire Strip Length	0.38 in. (9.7 mm)	0.38 in. (9.7 mm)
Recommended Tightening Torque	10...16 lb•in (1.1...1.8 N•m)	10...16 lb•in (1.1...1.8 N•m)
Insulation Temperature Range	-40...+300 °F (-40...+149 °C)	-40...+300 °F (-40...+149 °C)

	1492-EC85	1492-ED103
Dimensions are not intended to be used for manufacturing purposes.		
Specifications	5-pole terminal block. Pulls apart to disconnect all poles from the circuit.	3-pole terminal block. Pulls apart to disconnect all poles from the circuit.
Certifications (See page 12-3)	UL/CSA	UL/CSA
Voltage Rating	600V AC/DC	600V AC/DC
Maximum Current (per pole)	25 A	60 A
Wire Range (Rated Cross Section)†	#20...12 AWG (0.75...4 mm ²)	#14...4 AWG (2.5...25 mm ²)
Wire Strip Length	0.38 in. (9.7 mm)	0.38 in. (9.7 mm)
Recommended Tightening Torque	6...16 lb•in (0.7...1.8 N•m)	10...30 lb•in (1.1...3.4 N•m)
Insulation Temperature Range	-40...+22 °F (-40...+105 °C)	-40...+221 °F (-40...+105 °C)

★ #8-32 screw.

† Both terminal blocks accept 1 wire per terminal.

Mounting Rails

Mounting rails allow many blocks to be fastened in a panel with only a few screws to anchor the rail to the panel. Mounting rails allow easy installation and removal of a block in a row.

End Anchor/End Retainers

End anchors and end retainers mount at both ends of a group of terminal blocks to add rigidity to the terminal assembly and prevent sliding along the rails.


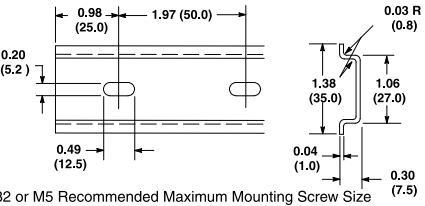
End Barriers

End barriers are required to provide the necessary insulation for the last terminal block in a group.


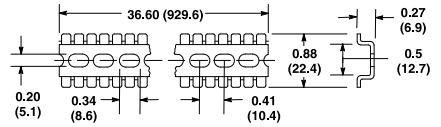

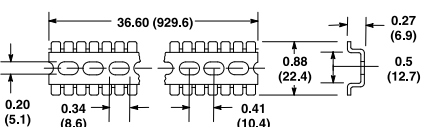

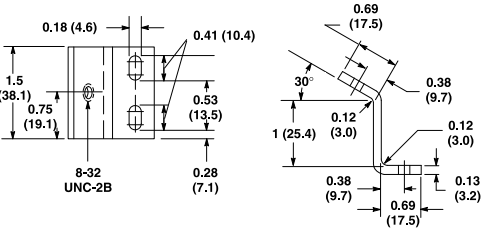
Side Jumpers

Side jumpers use the terminal block wire openings. Multi-pole jumpers can be cut into a smaller number of poles. 2-pole jumpers are also available for some blocks. All jumpers except the 1492-N21 carry 100% of rated terminal block current. The 1492-N21 carries 100 A. The backs of IEC-style jumpers are insulated with plastic. An adjacent partition plate provides the necessary electrical spacings between adjacent jumpers or between exposed ends of cut jumpers.

Mounting Rails

Cat. No.	Description	Pkg Qty.	Dimensions*
199-DR1	 <p>DIN (#3) Symmetrical Rail 35 mm x 7.5 mm x 1 m long Zinc-plated, yellow chromated EN50022</p> <p>DIN #3</p>	10	 <p>#10-32 or M5 Recommended Maximum Mounting Screw Size</p>
199-DR2	Same as 199-DR1, but length = 2 m	20	

* Dimensions shown in inches (millimeters). Dimensions are not intended to be used for manufacturing purposes.

Cat. No.	Description	Pkg Qty.	Dimensions*
1492-N1	 <p>Breakaway Mounting Rail — 3 ft (0.91 m) long; scored every 0.203 in. (5.2 mm) so it will break off to the desired length</p>	20	 <p>#8-32 or M4 Recommended Mounting Screw Size</p>
1492-N22	 <p>Rigid Mounting Rail — 3 ft (0.91 m) long</p>	20	 <p>#8-32 or M4 Recommended Mounting Screw Size</p>
1492-N25	 <p>Mounting Rail Standoff Brackets — Used with Cat. No. 1492-N22 rigid mounting rail</p>	20	

* Dimensions shown in inches (millimeters). Dimensions are not intended to be used for manufacturing purposes.

Fanning Strips






Fanning strips, used with the Cat. No. 1492-CA1, -CA2, and -CAM2 terminal blocks, keep wires in an orderly row and allow easy disconnect and reconnect of multiple adjacent wires.

Marking Systems

Various marking systems are available to simplify circuit identification. NEMA blocks come with a painted surface; IEC blocks use snap-in markers. Markers are available in blank form for hand writing, pre-printed in ascending number format, or custom printed for unique requirements. Extended marking strips and adhesive labels are available for long circuit identifications. A group marking carrier for easy group terminal block identification is also available. Marking rods can be used with QuickClamp style terminal blocks to simplify mass solutions. Pre-printed, single-digit, alphanumeric marker tabs are also available.

Specifications/Agency Approvals

In general, accessories for terminal blocks are not eligible for recognition by UL, CSA, or other third-party approval agencies. The suitability of the installation must be judged in the end use application due to the wide variety of possible uses. However, accessories are designed to meet, and are tested to, the terminal block assembly requirements such as electrical spacings, etc.

1492-N26		1492-N32		1492-N27		1492-N28		1492-N29	
									
External Mounting Feet		Internal Mounting Feet		Side Plate Extensions		18 in Bridge		12 in Bridge	
Cat. No.	Pkg. Quantity	Cat. No.	Pkg. Quantity	Cat. No.	Pkg. Quantity	Cat. No.	Pkg. Quantity	Cat. No.	Pkg. Quantity
1492-N26	1 Kit	1492-N32	1 Kit	1492-N27	1 Kit	1492-N28	1	1492-N29	1

Description — Stacking bridges are used with Style C, F, and H rail-mounted terminal blocks. They are designed to save panel space and increase terminal accessibility. Stacking bridge kits allow stacking of up to four terminal block strips. A stacking bridge consists of mounting feet, side plate extensions, and 12 in. or 18 in. bridges.

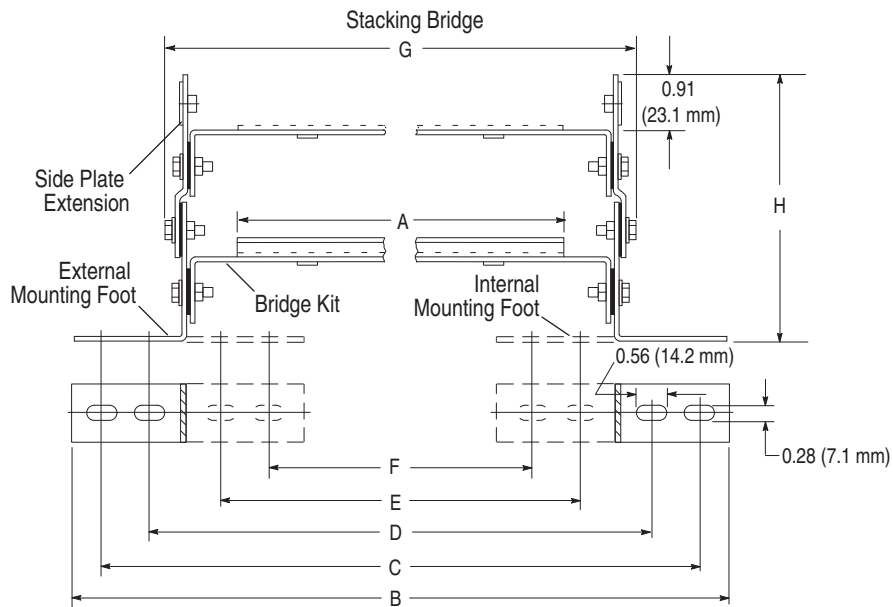
Note: Rigid mounting rail is attached to the bridge. Five kits are available to custom build stacking bridges as listed in the above table. Fuse blocks, disconnect blocks, large Style C terminal blocks (Cat. No. 1492-CE2) and circuit breakers should only be mounted on the upper-most bridge of any assembly.

Ordering Example — A typical ordering example for a Two-Level 18 in. Stacking Bridge is as follows:

- One Cat. No. 1492-N26 or 1492-N32 mounting foot kit.
- One Cat. No. 1492-N27 side plate extension kit, and two Cat. No. 1492-N28 18 in. bridges.

Both 12 in. and 18 in. stacking bridges are built in this manner with up to four levels maximum.

Stacking Bridge

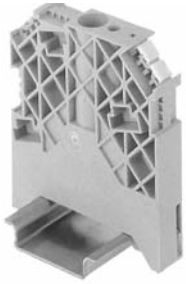


Stacking Bridge Size	A	B	C	D	E	F	G	H			
								No. of Levels			
								1	2	3	4
12 in.	12.06 (306.3)	18.06 (458.7)	17 (431.8)	15.19 (385.8)	12.69 (322.3)	10.97 (278.6)	14.53 (369.1)	2.34 (59.5)	4.50 (114.3)	6.63 (168.4)	8.78 (223.0)
18 in.	18.63 (473.2)	24.06 (611.1)	23 (584.2)	21.19 (538.2)	18.69 (474.7)	16.97 (431.0)	20.53 (521.5)	2.34 (59.5)	4.50 (114.3)	6.63 (168.4)	8.78 (223.0)

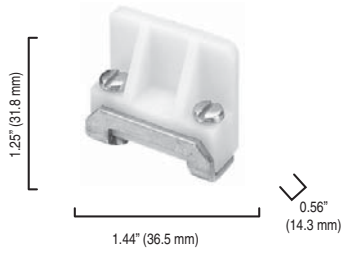
Note: Dimensions in inches (millimeters). Dimensions are not intended to be used for manufacturing purposes.

End Anchors

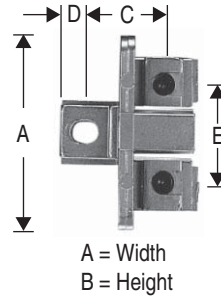
1492-EAHJ35



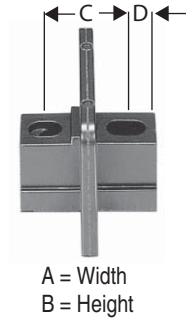
1492-N23



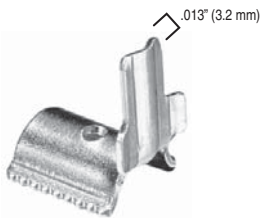
1492-15A, 1492-25A



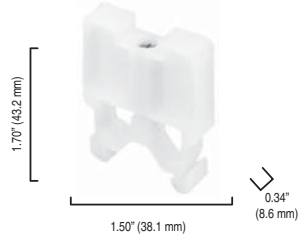
1492-15E, 1492-25E



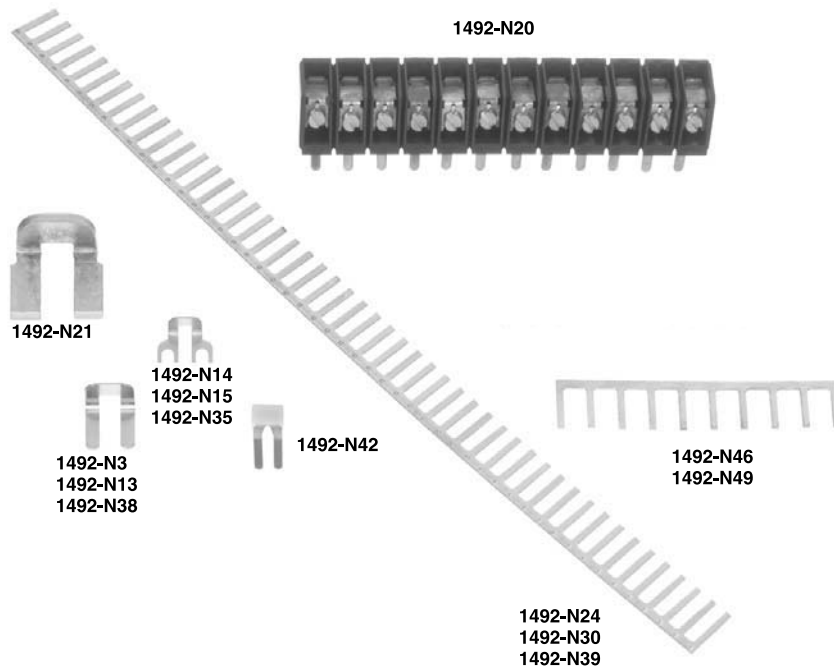
1492-N2



1492-N47

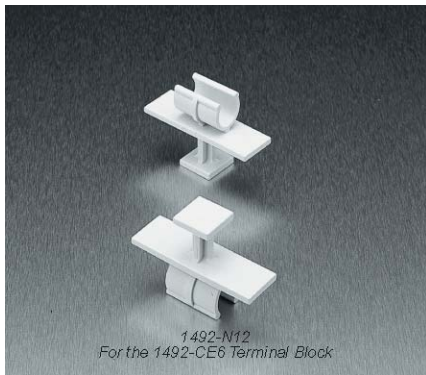


Cat. No.	A	B	C	D	E
1492-15A	1.5 in. (38.1 mm)	1.03 in. (26.2 mm)	0.594 in. (15.1 mm)	0.234 in. (5.9 mm)	0.75 in. (19.1 mm)
1492-15E	1.5 in. (38.1 mm)	1.03 in. (26.2 mm)	0.594 in. (15.1 mm)	0.234 in. (5.9 mm)	—
1492-25A	1.88 in. (47.8 mm)	1.19 in. (30.2 mm)	0.688 in. (17.5 mm)	0.203 in. (5.2 mm)	0.97 in. (24.6 mm)
1492-25E	1.88 in. (47.8 mm)	1.19 in. (30.2 mm)	0.688 in. (17.5 mm)	0.234 in. (5.9 mm)	—



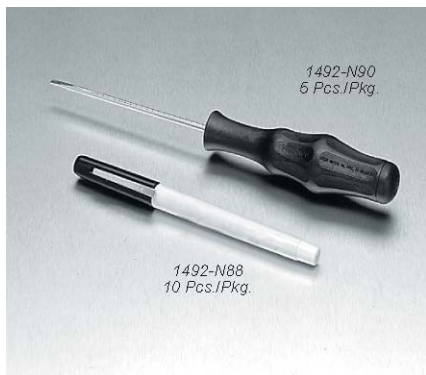
* The 1492-SJS Insulating Sleeve reduces exposure to live parts on the 1492-N39 and 1492-N49. The 1492-SJS used with the 1492-N39 and 1492-H1 or 1492-HM1 provides IEC 947 IP2X finger protection.

Fuse Puller



1492-N12
For the 1492-CE6 Terminal Block

Screwdriver and
Marking Pen



1492-N90
5 Pcs./Pkg.

1492-N88
10 Pcs./Pkg.

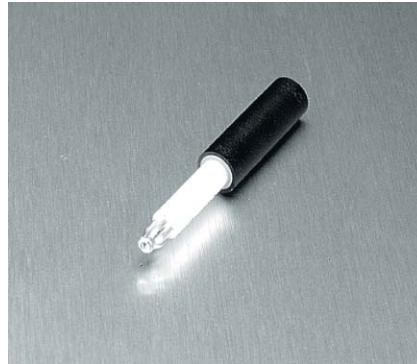
Isolation Switch Plugs
Cat. No. 1492-ISOSW-1



Cat. No. 1492-TA285



Cat. Nos. 1492-TA40, 1492-TA40L



Cat. No. 1492-TP15

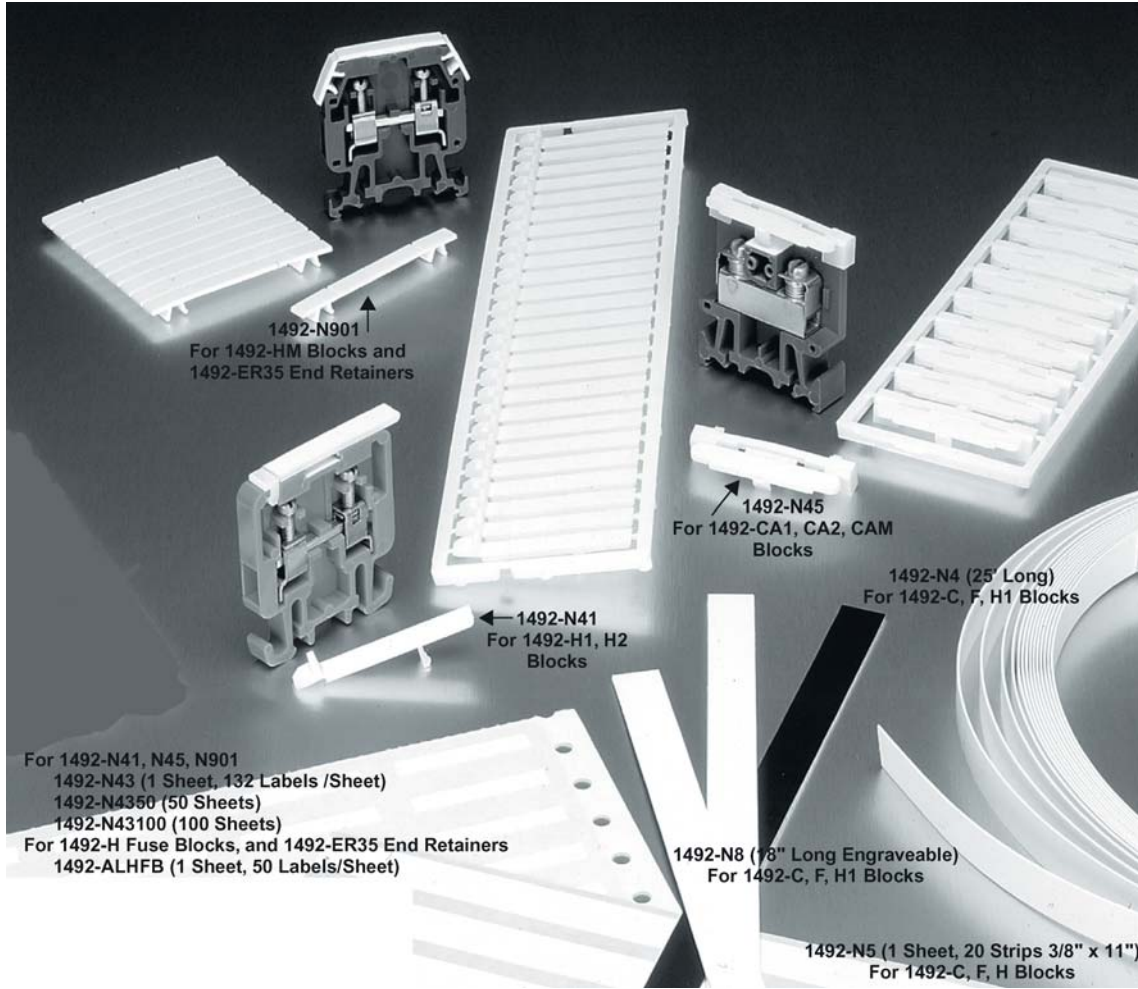


Cat. No. 1492-TP23

Test Plug/Test Sockets

Cat. No. 1492-TP28





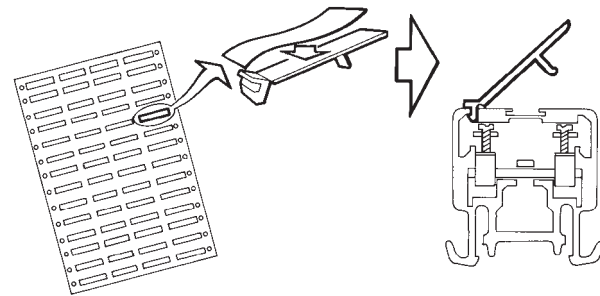
For 1492-N41, N45, N901
 1492-N43 (1 Sheet, 132 Labels /Sheet)
 1492-N4350 (50 Sheets)
 1492-N43100 (100 Sheets)
 For 1492-H Fuse Blocks, and 1492-ER35 End Retainers
 1492-ALHFB (1 Sheet, 50 Labels/Sheet)

1492-N8 (18" Long Engraveable)
 For 1492-C, F, H1 Blocks

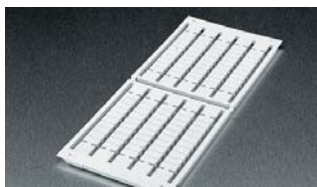
1492-N5 (1 Sheet, 20 Strips 3/8" x 11")
 For 1492-C, F, H Blocks

- Cat. No. 1492-N901 For 1492-HM Blocks and 1492-ER35 End Retainers
- Cat. No. 1492-N45 For 1492-CA1, CA2, CAM Blocks
- Cat. No. 1492-N41 For 1492-H1, H2 Blocks
- Cat. No. 1492-N8 (18 in. Long Engraveable) For 1492-C, F, H1 Blocks
- For Cat. Nos. 1492-N41, N45, N901
- Cat. No. 1492-N43 (1 Sheet, 132 Labels /Sheet)
- Cat. No. 1492-N4350 (50 Sheets)
- Cat. No. 1492-N43100 (100 Sheets)
- For Cat. Nos. 1492-H Fuse Blocks, and 1492-ER35 End Retainers
- Cat. No. 1492-ALHFB (1 Sheet, 50 Labels/Sheet)
- Cat. No. 1492-N5 (1 Sheet, 20 Strips 3/8 in x 11 in) For 1492-C, F, H Blocks

Placement of Label on Holder



Marker Cards



Cat. No.	No. of Labels/Card
1492-MS8X12	70
1492-MN81	—
1492-MN83	—

Cat. No.	Pkg Qty.
1492-ALHFB	1
1492-ALWFB	1
1492-N4	1
1492-N5	1
1492-N8	25
1492-N41	50
1492-N43	1
1492-N45	20
1492-N901	50
1492-N4350	1
1492-N43100	1

Multiple Wire Connection Combination for Stranded Copper Conductors of the Same Gross Section for Allen-Bradley Terminal Blocks

Terminal Blocks

Cat. No.	Wire Size AWG (mm ²)					
	#22	#20 (0.5)	#18 (0.75)	#16 (1.5)	#14 (2.5)	#12 (4)
1492-H4, -H5, -H6, -H7	4	4	3	2	2	1

Fingersafe Terminal Blocks

Cat. No.	Fingersafe Terminal Blocks							
	#22	#20 (0.5)	#18 (0.75)	#16 (1.5)	#14 (2.5)	#12 (4)	#10 (6)	#8 (10)
	Number of the Same-Size Wires Per Terminal							
* 1492-HM1	4	4	3	2	2	1	—	—
* 1492-HM2	4	4	3	2	2	1	—	—
1492-HC6	4	4	3	2	2	1	—	—
* 1492-HM3	4	4	4	3	2	2	1	1

* Dimensions for other colors are identical.

NEMA and IEC Terminal Block Component Specifications*

Tie Point Terminal Blocks — Type HM2C and WD4C

ATTENTION



The total current flow through these terminal blocks (the sum of all inputs or the sum of all outputs) must not exceed the rated current for the device.

Description	Type	Rating
Maximum Total Current Flow Through the Terminal Block	H2C, HM2C	10 A
Maximum Working Voltage	H2C, HM2C	600V
Operating Ambient Temperature Range	All	-4...+104 °F (-20...+40 °C)
Storage Temperature Range	All	-40...+167 °F (-40...+75 °C)

Diode Terminal Blocks — Types H2D, HHM2D, WD2D, WD2DR, RD3DF and RD3DR

Description	Symbol	Type	Rating
Peak Repetitive Reverse Voltage	V (RRM)	H2D, HM2D	600V
Working Peak Reverse Voltage	V (RWM) V (R)	RD3DF, RD3DR WD4DF, WD4DR	300V
Non-Repetitive Peak Reverse Voltage (Halfwave, single-phase, 60 Hz)	V (RSM)	H2D, HM2D	600V
RMS Reverse Voltage*	V (Rms)	H2D, HM2D	600V
Average Rectified Forward Current Single-Phase, Resistive Load, 60 Hz	I (O)	All	1.0 A
Non-Repetitive Peak Surge Current (Surge applied at rated load)	I (FSM)	All	30 A (1 cycle)
Maximum Forward Voltage Drop [I (f) = 1.0 A]	V (F)	All	1.1V
Maximum Reverse Current	I (R)	All	10 μA
Operating Ambient Temperature Range	T (A)	All	-4...+104 °F (-20...+40 °C)
Storage Temperature Range	T (S)	All	-40...+167 °F (-40...+75 °C)

* The maximum voltage rating of the diode terminal blocks listed in the above table should not be exceeded even through the maximum reverse voltage rating of the diode alone is 1000V.

All parameters measured at 77 °F (25 °C).

Resistor Terminal Blocks — Types H2RA, H2RB, H2RC, HM2RA, HM2RB, HM3RB*

Description	Model Code Identifier	Rating
Resistor Type	A	Carbon Fixed Resistor‡
	B	Metal Film Resistor§
	C	Wire Wound Precision Resistor
Standard Resistance Range	A	1.0 (Ω)...100 M (Ω)
	B	1.0 (Ω)...4.75 M (Ω)
	C	249 (Ω)
Resistance Tolerance	A	± 5%
	B	± 1%
	C	± 1%
Power Rating (Resistor) Maximum Continuous Watts at 86 °F (30 °C) Ambient	A	0.5 W
	B	0.25 W
	C	0.5 W
Rated Continuous Working Voltage (Resistor)	A	0.5 x R or 300V Max.
	B	0.25 x R or 250V Max.
	C	0.5 x R or 250V Max.
Operating Ambient Temperature Range	All	-4...+104 °F (-20...+40 °C)
Storage Temperature Range	All	-40...+167 °F (-40...+75 °C)
Dielectric Withstanding Voltage (Resistor)	A	700V
	B & C	500V

* Performance Data — See this catalog, Important- 3.

‡ The power rating of the resistor block operating in ambient temperatures of 86...104 °F (30...40 °C) should be derated for maximum resistor life. The derating curve is linear between 86 °F (30 °C) and 104 °F (40 °C) where the power rating is 100% of specified power at 86 °F (30 °C) and 85% at 104 °F (40 °C).

§ For further information on resistor performance, consult your local Rockwell Automation sales office or Allen-Bradley distributor.

Resistor Codes for 1492-RD3RB..., -H2RB... and -HM2RB Terminal Blocks

Ordering Information

In order to complete the cat. no. for **1492-RD3RB...**, **1492-H2RB**, and **1492-HM2RB**, add the desired resistor code from the table below.
Example: Cat. No. **1492-RD3RB101** is a resistor terminal block with a 100 (Ω) — 1/4 W resistor.

Resistor Value Ω	Resistor Code	Resistor Value Ω	Resistor Code	Resistor Value Ω	Resistor Code	Resistor Value Ω	Resistor Code
10	100	267	271	8250	822	0.221M	224
11	110	301	301	9090	912	0.243M	244
12.1	120	332	331	10 000	103	0.267M	274
13	130	357	361	11 000	113	0.301M	304
15	150	392	391	12 100	123	0.332M	334
16	160	432	431	13 000	133	0.357M	364
18.2	180	475	471	15 000	153	0.392M	394
20	200	511	511	16 200	163	0.432M	434
22.1	220	562	561	18 200	183	0.475M	474
24.3	240	619	621	20 000	203	0.511M	514
26.7	270	681	681	22 100	223	0.562M	564
30.1	300	750	751	24 300	243	0.619M	624
33.2	330	825	821	26 700	273	0.681M	684
35.7	360	909	910	30 100	303	0.75M	754
39.2	390	1000	102	33 200	333	0.825M	824
43.2	430	1100	112	35 700	363	0.909M	914
47.5	470	1210	122	39 200	393	1.0M	105
51.1	510	1300	132	43 200	433	1.1M	115
56.2	560	1500	152	47 500	473	1.24M	125
61.9	620	1620	162	51 100	513	1.3M	135
68.1	680	1820	182	56 200	563	1.5M	155
75	750	2000	202	61 900	623	1.62M	165
82.5	820	2210	222	68 100	683	1.82M	185
90.9	910	2430	242	75 000	753	2.0M	205
100	101	2670	272	82 500	823	2.21M	225
110	111	2940	302	90 900	913	2.43M	245
121	121	3320	332	0.10M	104	2.67M	275
130	131	3570	362	0.11M	114	3.01M	305
150	151	3920	392	0.121M	124	3.32M	335
162	161	4750	472	0.13M	134	3.57M	365
182	181	5110	512	0.15M	154	3.92M	395
200	201	5620	562	0.162M	164	4.32M	435
221	221	6810	682	0.182M	184	4.75M	475
243	241	7500	752	0.20M	204	249	001



Resistor Codes for 1492-H2RA... and -HM2RA Terminal Blocks

Ordering Information

In order to complete the cat. no. for **1492-H2RA...** and **1492-HM2RA**, add the desired resistor code from the table below. Example: Cat. No. **1492-H2RA101** is a resistor terminal block with a 100 (Ω) — 1/2 W resistor.

Resistor Value Ω	Resistor Code	Resistor Value Ω	Resistor Code	Resistor Value Ω	Resistor Code	Resistor Value Ω	Resistor Code	Resistor Value Ω	Resistor Code
1.0	10G	43	430	1800	182	75000	753	3.3M	335
1.1	11G	47	470	2000	202	82000	823	3.6M	365
1.2	12G	51	510	2200	222	91000	913	3.9M	395
1.3	13G	56	560	2400	242	0.10M	104	4.3M	435
1.5	15G	62	620	2700	272	0.11M	114	4.7M	475
1.6	16G	68	680	3000	302	0.12M	124	5.1M	515
1.8	18G	75	750	3300	332	0.13M	134	5.6M	565
2.0	20G	82	820	3600	362	0.15M	154	6.2M	625
2.2	22G	91	910	3900	392	0.16M	164	6.8M	685
2.4	24G	100	101	4300	432	0.18M	184	7.5M	755
2.7	27G	110	111	4700	472	0.20M	204	8.2M	825
3.0	30G	120	121	5100	512	0.22M	224	9.1M	915
3.3	33G	130	131	5600	562	0.24M	244	10M	106
3.6	36G	150	151	6200	622	0.27M	274	11M	116
3.9	39G	160	161	6800	682	0.30M	304	12M	126
4.3	43G	180	181	7500	752	0.33M	334	13M	136
4.7	47G	200	201	8200	822	0.36M	364	15M	156
5.1	51G	220	221	9100	912	0.39M	394	16M	166
5.6	56G	240	241	10 000	103	0.43M	434	18M	186
6.2	62G	270	271	11 000	113	0.47M	474	20M	206
6.8	68G	300	301	56 200	123	0.51M	514	22M	226
7.5	75G	330	331	12 000	133	0.56M	564	24M	246
8.2	82G	360	361	13 000	153	0.62M	624	27M	276
9.1	91G	390	391	15 000	163	0.68M	684	30M	306
10	100	430	431	18 000	183	0.75M	754	33M	336
11	110	470	471	20 000	203	0.82M	824	36M	366
12	120	510	511	22 000	223	0.91M	914	39M	396
13	130	560	561	24 000	243	1.0M	105	43M	436
15	150	620	621	27 000	273	1.1M	115	47M	476
16	160	680	681	30 000	303	1.2M	125	51M	516
18	180	750	751	33 000	333	1.3M	135	56M	566
20	200	820	821	36 000	363	1.5M	155	62M	626
22	220	910	911	39 000	393	1.6M	165	68M	686
24	240	1000	102	43 000	433	1.8M	185	75M	756
27	270	1100	112	47 000	473	2.0M	205	82M	826
30	300	1200	122	51 000	513	2.2M	225	91M	916
33	330	1300	132	56 000	563	2.4M	245	100M	107
36	360	1500	152	62 000	623	2.7M	275		
39	390	1600	162	68 000	683		305		

Surge Suppressor Performance Characteristics and Electrical Component Data*

Performance Characteristic	Surge Suppressor Terminal Blocks		
	Cat. No.		
	1492-H2K024 1492-HM2K024	1492-H2K120 1492-HM2K120	1492-H2K240 1492-HM2K240
Nominal Working Voltage (Volts AC or DC) [V]	24	120	240
Maximum AC Working Voltage RMS Continuous (60 Hz) [V]	30	140	275
Maximum DC Working Voltage Continuous [V]	38	160	369
Maximum Clamping Voltage at Current I _p (8/20 μs pulse) [V]	92V I _p = 6 A	360V I _p = 14 A	710V I _p = 17 A
Maximum Voltage Rate of Rise Bulletin 100 Contactors Types A38...B180 Bulletin 500 Contactors & Starters, Size 0...5 Bulletin 700 Relays	—	<10 V/μs	<10 V/μs
Peak Current (8/20 μs pulse)	250 A	150 A	150 A
Typical Leakage Current at Nominal AC Working Voltage	1.0 mA	4.5 mA	10.0 mA
Metal Oxide Varistor (MOV) Maximum Clamping Voltage at Current I _p (8/20 μs Pulse) Maximum Transient Energy Maximum Power Dissipation	—	—	—

* Performance Data — See this catalog, Important 3.

Performance data given in this catalog is provided as a guide for the user in determining suitability and does not constitute a warranty. It may represent the result of accelerated testing at elevated stress levels and the user should correlate it to actual application requirements. Actual performance is subject to WARRANTY and LIMIT OF LIABILITY.

Component Specifications

Characteristic	Suppressor Cat. No.		
	1492-H2K024 1492-HM2K024	1492-H2K120 1492-HM2K120	1492-H2K240 1492-HM2K240
Capacitor			
Nominal Value	0.10 μ F	0.10 μ F	0.10 μ F
Tolerance	\pm 20%	\pm 20%	\pm 20%
Maximum DC Working Voltage	500V DC	500V DC	500V DC
Metal Oxide Varistor (MOV)			
Maximum Clamping Voltage at Current I_p (8/20 μ s Pulse)	92V	360V	710V
Maximum Transient Energy	$I_p = 5$ A 1.8 J	$I_p = 10$ A 12 J	$I_p = 10$ A 23 J
Maximum Power Dissipation	0.25 W	0.25 W	0.25 W
Resistor			
Nominal Value	100 Ω	100 Ω	100 Ω
Tolerance	\pm 20%	\pm 20%	\pm 20%
Power Rating	2 W at 104 °F (40 °C)	2 W at 104 °F (40 °C)	2 W at 104 °F (40 °C)

Technical Specifications for Fuse Plugs*


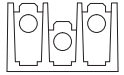

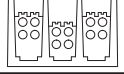
Characteristic	1492-FP4	1492-FP424	1492-FP4250
Indicator Type	Non-Indicating	LED	Neon
Leakage Current	—	2 mA @ 24V	1 mA @ 264V
Working Voltage	Per Fuse Rating	10...57V AC/DC	85...264V AC
Fuse Size (Not Supplied)	5 x 20 mm		

* Maximum current rating for the fuse plug is 10 A at 250V. IEC standards for 5 x 20 mm fuses do not include ratings above 6.3 A.

UL/CSA File and Guide Numbers

Base Cat. No.	UL Number		CSA Number	
	File	Guide	File	Class
1492-CA, -CE, -CD	E40735	XCFR2	LR67896	6228-01
1492-CB	E65138	QVNU2	LR37712	9091-01
1492-CE6	E34648	IZLT2	LR67896	6228-01
1492-F	E40735	XCFR2	LR67896	6228-01
1492-FB	E34646	IZLT	LR70915	6225-01
1492-H1, -H2, -HM1, -HM2, -HM3	E40735	XCFR2	LR67896	6228-01
1492-H4, -H5, -H6, -H7	E40735	XCFR2	LR67896	6228-01
1492-HC6, -HJ	E40735	XCFR2	LR67896	6228-01

Bul. 1492-PD Open-Style
Mini Blocks

Amperage	No. of Poles	Line			Load			High Fault SCCR Available	Flexible Copper Wire Connections	Mini Block	Power Block Cover
		Connector Diagram	Wire Range AWG (mm ²)	Wires per Pole	Connector Diagram	Wire Range AWG (mm ²)	Wires per Pole			Cat. No.	Cat. No.
115	3		#2...14 (35...2.5)★	1		#2...14 (35...2.5)★	1	Yes	Yes	1492-PDM3111	1492-PBC9
	3		#2...14 (35...2.5)★	1		#10...18 (6...0.75)	4	Yes	Yes	1492-PDM3141	1492-PBC9

★ Wire openings rated for #2-14 AWG are multiple wire rated: (2) #8 CU Str, (2) #10 CU Str, (2) #12 CU Str, and (2) #14 CU Str.

Bul. 1492-PD Open-Style

Amperage	No. of Poles	Line			Load			High Fault SCCR Available	Flexible Copper Wire Connectors	Cat. No. ▲	Cover
		Connector Diagram	Wire Range AWG (mm ²)	Wires per Pole	Connector Diagram	Wire Range AWG (mm ²)	Wires per Pole				
115	1		#2...14 (35...2.5)★	1		#2...14 (35...2.5)★	1	Yes	Yes	1492-50Y	1492-PBC4
	3		#2...14 (35...2.5)★	1		#2...14 (35...2.5)★	1	Yes	Yes	1492-50X	1492-PBC1
150	3		1/0...#14 (50...2.5)	1		1/0...#14 (50...2.5)	1	—	Yes	1492-PD3C111	1492-PBC1
175	1		2/0...#14 (70...2.5)	1		2/0...#14 (70...2.5)	1	Yes	Yes	1492-100Y	1492-PBC4
	1		2/0...#14 (70...2.5)	1		1/4" Tap w/ Binding Screw	1	Yes	Yes	1492-50YF	1492-PBC4
	3		2/0...#14 (70...2.5)	1		2/0...#14 (70...2.5)	1	Yes	Yes	1492-100X	1492-PBC1
	3		2/0...#14 (70...2.5)	1		1/4" Tap w/ Binding Screw	1	Yes	Yes	1492-50 XF	1492-PBC1
	3		2/0...#14 (70...2.5)	1		#4...14 (25...2.5)‡	4	Yes	Yes	1492-PD3141	1492-PBC1
	3		2/0...#14 (70...2.5)	1		#4...14 (25...2.5)‡	4	Yes	Yes	1492-PD3C141	1492-PBC1
255	1		250 kcmil... #6 AWG (120...16 mm ²)	1		250 kcmil... #6 AWG (120...16 mm ²)	1	Yes	Yes	1492-BE	1492-PBC5
	3		250 kcmil...#6 (120...16)	1		250 kcmil...#6 (120...16)	1	Yes	No	1492-PD3C112	1492-PBC2
310	3		350 kcmil... #6 (185...16)	1		350 kcmil... #6 (185...16)	1	Yes	Yes	1492-PD3113	1492-PBC2
335	3		400 kcmil... #6 (185...16)	1		#2...14 (35...2.5)★	6	Yes	Yes	1492-PD3163	1492-PBC2
	3		400 kcmil... #6 (185...16)	1		#2...14 (35...2.5)★	8	Yes	Yes	1492-PD3183	1492-PBC8
350	3		2/0...#14 (70...2.5)	2		#4...14 (25...2.5)‡	6	Yes	Yes	1492-PD3263	1492-PBC2
	3		2/0...#14 (70...2.5)	2		#4...14 (25...2.5)‡	6	Yes	Yes	1492-PD3C263	1492-PBC2
380	3		500 kcmil... #4 (240...25)	1		#2...14 (35...2.5)★	12	Yes	Yes	1492-PD31123	1492-PBC3
	3		500 kcmil...#4 (240...25)	1		#2...14 (35...2.5)★	6	Yes	Yes	1492-PD3C163	1492-PBC2
420	1		600 kcmil... #4 AWG (300...25 mm ²)	1		600 kcmil... #4 AWG (300...25 mm ²)	1	Yes	Yes	1492-BF	1492-PBC6
620	3		350 kcmil... #6 (185...16)	2		350 kcmil...#6 (185...16)	2	Yes	Yes	1492-PD3C226	1492-PBC3
760	1		#4 AWG...500 MCM 25...240 mm ²	2		#4 AWG...500 MCM 25...240 mm ²	2	Yes	Yes	1492-BG	1492-PBC7
	3		500 kcmil... #6 (240...25)	2		#2/0...14 (70...2.5)	8	Yes	Yes	1492-PD3287	1492-PBC3
	3		500 kcmil... #6 (240...16)	2		#4...14 (25...2.5)‡	12	Yes	Yes	1492-PD32127	1492-PBC3
	3		500 kcmil...#4 (240...25)	2		2/0...14 (70...2.5)	8	Yes	Yes	1492-PD3C287	1492-PBC3
	3		500 kcmil...#4 (240...25)	2		#2...14 (35...2.5)★	12	Yes	Yes	1492-PD3C2127	1492-PBC3

★ Wire openings rated for #2-14 AWG are multiple wire rated: (2) #8 CU Str, (2) #10 CU Str, (2) #12 CU Str, and (2) #14 CU Str.
 ‡ Wire openings rated openings rated for #4-14 AWG are multiple wire rated: (2) #10 CU Str, (2 to 4) #12 CU Str, and (2 to 4) #14 CU Str.
 ▲ The C in the cat. no. designates copper terminals. The cat. nos. without the C, have aluminum connectors.

Bul. 1492-PDL Open-Style - Feeder Spacing

Amperage (Cu Wire) 75 °C	No. of Poles	Line			Load			High Fault SCCR Available	Flexible Copper Wire Conn.	Cat. No.	Replacement Accessories	
		Connector Diagram	Wire Range AWG (mm ²)	Openings per Pole	Connector Diagram	Wire Range AWG (mm ²)	Openings per Pole				Covers	Marking Strips
											Cat. No.	Cat. No.
175	3		2/0...#14 (70...2.5)	1		2/0...#14 (70...2.5)	1	Yes	—	1492-PDL3111	1492-PDLC1	1492-PDLM1
	3		2/0...#14 (70...2.5)	1		#4...#14 (25...2.5)★	4	Yes	—	1492-PDL3141		
	3		2/0...#14 (70...2.5)	1		1/4...20 stud	—	Yes	—	1492-PDL31S1		
	3		2/0...#14 (70...2.5)	1		#4...#14 (25...2.5)★	6	Yes	—	1492-PDL3161		
335	3		400 kcmil...#6 (185...16)	1		#2...#14 (35...2.5)	6	Yes	—	1492-PDL3163	1492-PDLC2	1492-PDLM2
	3		600 kcmil...#2 (300...35)	1		#2...#14 (35...2.5) #2...#14 (35...2.5) 1/0...#14 (55...2.5)★	3 3 3	Yes	—	1492-PDL3194		
	3		600 kcmil...#2 (300...35)	1		#4...#14 (25...2.5)‡	12	Yes	—	1492-PDL31124		

★ Wire openings rated for #2-14 AWG are multiple wire rated: (2) #8 CU Str, (2) #10 CU Str, (2) #12 CU Str, and (2) #14 CU Str.
‡ Wire openings rated openings rated for #4-14 AWG are multiple wire rated: (2) #10 CU Str, (2 to 4) #12 CU Str, and (2 to 4) #14 CU Str.

Amperage (Cu Wire) 75 °C	No. of Poles	Line			Load			High Fault SCCR Available	Flexible Copper Wire Connections	Cat. No.▲	
		Connector Diagram	Wire Range AWG (mm ²)	Openings per Pole	Connector Diagram	Wire Range AWG (mm ²)	Openings per Pole			▲	▲
115	1		#2...#14 (35...2.5)	1		#2...#14 (35...2.5)§	1	Yes	Yes	▲	1492-PDME1111
	1		#2...#14 (35...2.5)	1		#10...#14 (6...2.5)	4	Yes	Yes	▲	1492-PDME1141
200	1		2/0...#14 (70...2.5)	1		2/0...#14 (70...2.5)♣	1	Yes	Yes	▲	1492-PDE1112 1492-PDE1C112
	1		2/0...#14 (70...2.5)	1		#2...#14 (35...2.5)§	4	Yes	Yes	▲	1492-PDE1142 1492-PDE1C142
510	1		250 kcmil...#6 (120...16)	2		250 kcmil...#6 (120...16)	2	Yes	Yes (line side)		1492-PDE1225 1492-PDE1C225
335	1		400 kcmil...#6 (185...16) 2/0...#14 (70...2.5)	1		#2...#14 (35...2.5)§	8	Yes	Yes (line side)		1492-PDE1183 1492-PDE1C183

§ Wire openings rated for #2-14 AWG are multiple wire rated: (2) #6 CU Str, (2) #8 CU Str, (2-4) #10 CU Str, (2 to 4) #12 CU Str, and (2 to 4) #14 CU Str.

♣ Wire openings rated for #2/0 -14 AWG are multiple wire rated: (2) #4 CU Str, (2) #6 CU Str, (2) #8 CU Str, (2) #10 CU Str, (2) #12 CU Str

& Flexible copper wire connections approved for flexible wire, stranding Classes G, H, I, K and DLO wire without the need for additional crimp connectors

▲ The C in the cat. no. designates copper terminals. The cat. nos. without the C, have aluminum connectors

▲ UL 1953 Listed E 313475 Guide QPQS

High Fault Short-Circuit Current Ratings

The following Ratings for “High Short Circuit Current Ratings” are based upon testing of the Power Terminal Block and Overcurrent Protective Device (OPD - either fuse or circuit breaker)wired in series and the combination of devices exposed to fault currents of the levels noted in the tables. For the Power Terminal Block to obtain the noted SCCR rating, the combination, including wiring, must suffer no damage and all wiring remain intact until the Overcurrent Protective Device, clears the fault.

For these ratings only one wire per terminal is used.

In some cases the wire size noted is less than the maximum capability of the Power Distribution Block, The noted wire size is the maximum permissible to obtain the noted SCCR rating with the noted Overcurrent Protective Device.

When a larger overcurrent protective device of the type or wire of different size is used, the Power Distribution Block has a 10,000 A SCCR withstand rating, per Table SB4.1 of UL Standard 508A.

The most up-to-date High SCCR ratings may be found via UL website, <http://www.ul.com> <http://www.ul.com>– Online Certifications Directory. For UL1059 certified Power Terminal Blocks, use file number E40735. For UL1953 listed devices the standard requires a 100,000 A minimum SCCR, use file number E313475

Bulletin 1492-PD High Fault SCCR Ratings
With Fuses

Cat. No.	High Fault SCCR Ratings Conditions ★								SCCR ‡	
	Suitable Conductors § kcmil/AWG Copper Wire		Overcurrent Protection ♣ Fuse Required Class/Max. Amp Rating						RMS Sym A	Volts Max.
	Line	Load	J	T	RK1	RKS	G	CC		
1492-50X	2-6 Cu	2-6 Cu	300	300	200	100	60	30	100 000	600
	8-10 Cu	8-10 Cu	150	150	100	30	60	30	100 000	600
1492-50XF	2/0-6 Cu	2/0-6 Cu	200	200	200	100	60	30	100 000	600
	8-10 Cu	8-10 Cu	100	100	100	100	60	30	100 000	600
1492-50Y	2-6 Cu	2-6 Cu	300	300	200	100	60	30	100 000	600
	8-10 Cu	8-10 Cu	150	150	100	30	60	30	100 000	600
1492-50YF	2/0-6 Cu	2/0-6 Cu	200	200	200	100	60	30	100 000	600
	8-10 Cu	8-10 Cu	100	100	100	100	60	30	100 000	600
1492-100X	2/0-6 Cu	2/0-6 Cu	300	300	200	100	60	30	65 000	600
1492-100Y	2/0-6 Cu	2/0-6 Cu	300	300	200	100	60	30	65 000	600
1492-BE	250-6 Cu	250-6 Cu	300	300	200	100	60	30	100 000	600
1492-BF	600-2 Cu	600-2 Cu	600	600	—	—	—	—	100 000	600
			400	400	400	200	60	30	100 000	600
1492-BG	2)500-4 Cu	2)500-4 Cu	600	600	400	200	60	30	100 000	600
1492-PD3113	350-1/0 Cu	350-1/0 Cu	400	400	400	100	60	30	100 000	600
	350-6 CU	350-6 Cu	300	300	200	100	60	30	100 000	600
1492-PD3141	2/0-6 Cu	4-14 Cu	200	200	200	100	60	30	100 000	600
1492-PD3163	400-3/0 Cu	2-8 Cu	400	400	400	200	—	30	200 000	600
			600	—	—	—	60	—	100 000	600
	2/0-6 Cu	2-14 Cu	200	200	200	100	—	30	200 000	600
			—	—	—	—	60	—	100 000	600
1492-PD3183	400-3/0 Cu	2-8 Cu	400	400	400	200	60	30	100 000	600
	2/0-6 Cu	2-14 Cu	200	200	200	100	60	30	100 000	600
1492-PD31123	500-3/0 Cu	2-8 Cu	400	400	400	200	60	30	100 000	600
	2/0-4 Cu	2-14 Cu	200	200	200	100	60	30	100 000	600
1492-PD3263	2)2/0-2 Cu	4-8 Cu	400	400	400	100	60	30	100 000	600
	2)4-6 Cu	10-14 Cu	300	300	200	100	60	30	100 000	600
1492-PD3226	2)350-4 Cu	2)350-4 Cu	450	450	400	200	60	30	100 000	600
1492-PD3287	500-250 Cu	2/0-4 Cu	600	600	400	200	60	30	100 000	600
			600	600	—	—	—	—	50 000	600
	4/0-4 Cu	2/0-10 Cu	400	400	400	200	60	30	100 000	600
1492-PD32127	500-250 Cu	4-8 Cu	600	600	600	—	—	—	50 000	600
			400	400	400	200	60	30	100 000	600
	4/0-4 Cu	4-14 Cu	600	600	—	—	—	—	50 000	600
			400	400	400					
1492-PD3C112	250-6 CU	250-6 Cu	300	300	200	100	60	30	100 000	600
1492-PD3C141	2/0-6 Cu	4-14 Cu	200	200	200	100	60	30	100 000	600
1492-PD3C163	500-3/0 Cu	2-8 Cu	400	400	400	200	60	30	100 000	600
	2/0-4 Cu	2-14 Cu	200	200	200	100	60	30	100 000	600
1492-PD3C263	2/0-2 Cu	4-8 Cu	400	400	400	100	60	30	100 000	600
	4-6 Cu	10-14 Cu	200	200	200	100	60	30	100 000	600
1492-PD3C287	500-250 Cu	2/0-4 Cu	600	600	400	200	60	30	100 000	600
			600	600	—	—	—	—	50 000	600
	4/0-4 Cu	2/0-6 Cu	400	400	400	200	60	30	100 000	600
1492-PD3C2127	500-250 Cu	2-8 Cu	600	600	600	—	—	—	50 000	600
			400	400	400	200	60	30	100 000	600
	4/0-4 Cu	2-14 Cu	600	600	—	—	—	—	50 000	600
			400	400	400	200	60	30	100 000	600

With Circuit Breakers

Cat. No.	High Fault SCCR Ratings Conditions ★					
	Suitable Conductors § kcmil/AWG Copper Wire		Overcurrent Protection ✦ Allen-Bradley Circuit Breaker		SCCR, RMS, Sym A	Volts Max, AC
	Line	Load	Type	Map Amp		
1492-PD31123	350 - 4 Cu	2-14 Cu	140U-J3D3	250	35 000	480
	500 - 4 Cu	2-6 Cu	140U-K3D3	400	35 000	480
1492-PD3141	2/0 - 1 Cu	4-10 Cu	140U - J3D3, 140U - J6D3	250	22 000	480
	2-4 Cu	4-12 Cu	140U - J3D3, 140U - J6D3	250	22 000	480
	2-6 Cu	4-14 Cu	140U - H3C3	125	30 000	480
	6 Cu	14 Cu	140U - H3C3	125	50 000	480
1492-PDM3141	2-10 Cu	10-14 Cu	140U - H3C3, 140U - H6C3	125	25 000	480
1492-PD3163	400 - 3/0 Cu	2-8 Cu	140U - K6X3, 140U - K3X3	400	65 000	480
	4/0 - 4 Cu	2-12 Cu	140U - J6X3, 140U - J3X3	250	25 000	480

Bulletin 1492-PDL High Fault SCCR Ratings

With Fuses

Cat. No.	High Fault SCCR Ratings Conditions ★									SCCR ‡	
	Suitable Conductors § kcmil/AWG Copper Wire		Overcurrent Protection ✦ Fuse Required Class/Max. Amp Rating							RMS Sym A	Volts Max.
	Line	Load	J	T	RK1	RKS	G	CC			
1492-PDL3111	2/0-6 Cu	2/0-6 Cu	200	200	200	100	60	30	100 000	600	
1492-PDL3141	2/0-6 Cu	4-14 Cu	200	200	200	100	60	30	100 000	600	
1492-PDL3161	2/0-6 Cu	4-14 Cu	200	200	200	100	60	30	100 000	600	
1492-PDL31S1	2/0-6 Cu	2/0-6 Cu	200	200	200	100	60	30	100 000	600	
	8-10 Cu	8-10 Cu	100	100	100	30	60	30	100 000	600	
1492-PDL3163	400-3/0 Cu	2-8 Cu	400	400	400	100	60	30	100 000	600	
	2/0-6 Cu	2-14 Cu	200	200	200	100	60	30	100 000	600	
1492-PDL3194	600-3/0 Cu	1/0-8 Cu	600	600	400	200	60	30	100 000	600	
	2/0-2 Cu	2-14 Cu	200	200	200	100	60	30	100 000	600	
1492-PDL31124	600-3/0 Cu	4-8 Cu	600	600	400	100	60	30	100 000	600	
	2/0-2 Cu	4-12 Cu	200	200	200	100	60	30	100 000	600	

With Circuit Breakers

Cat. No.	High Fault SCCR Ratings Conditions ★					
	Suitable Conductors § kcmil/AWG Copper Wire		Overcurrent Protection ✦ Allen-Bradley Circuit Breaker		SCCR, RMS, Sym A	Volts Max, AC
	Line	Load	Type	Map Amp		
1492-PDL3141	2/0-4 Cu	4-8 Cu	140U-J6, 140U-J0	250	50 000	480
	1/0-6 Cu	4-10 Cu	140U-H6, 140U-H0	125	50 000	480
1492-PDL3161	2/0-6 Cu	4-12 Cu	140U-H6, 140U-H0	125	50 000	480
	2/0-4 Cu	4-8 Cu	140U-J6, 140U-J0	250	35 000	480
1492-PDL3163	400-3 Cu	2-3 Cu	140U-K6	400	35 000	480
	350-4 Cu	2-8 Cu	140U-J6, 140U-J0	250	50 000	480
1492-PDL3194	600-2 Cu	4 Cu	140U-K6	400	35 000	480
	350-2 Cu	4-8 Cu	140U-K6, 140U-J0	250	50 000	480
1492-PDL31124	600-2 Cu	2-8 Cu	140U-K6	400	30 000	480
	350-2 Cu	2-8 Cu	140U-K6, 140U-J0	250	50 000	480

**Bulletin 1492-PDE High Fault SCCR Ratings
With Fuses**

Cat. No.	High Fault SCCR Ratings Conditions ★								SCCR ‡	
	Suitable Conductors § kcmil/AWG Copper Wire		Overcurrent Protection ✦ Fuse Required Class/Max. Amp Rating						RMS Sym A	Volts Max.
	Line	Load	J	T	RK1	RKS	G	CC		
1492-PDE1111	2/0-6 Cu	2/0-6 Cu	300	300	200	100	60	30	100 000	600
1492-PDE1112	3/0-8 Cu (B-C)	3/0-8 Cu (B-C)	225	225	200	60	60	30	100,000	600
	2/0-8 Cu (G-I)	2/0-8 Cu (G-I)	300	300	200	100	60	30	100 000	600
1492-PDE1C111	2/0-6 Cu	2/0-6 Cu	300	300	200	100	60	30	100 000	600
1492-PDE1C112	3/0-8 Cu (B-C)	3/0-8 Cu (B-C)	225	225	200	60	60	30	100 000	600
	2/0-8 Cu (G-I)	2/0-8 Cu (G-I)	300	300	200	100	60	30	100 000	600
1492-PDE1141	2/0-6 Cu	2-14 Cu	300	300	200	100	60	30	100 000	600
1492-PDE1142	3/0-8 Cu (B-C)	2-8 Cu (B-C)	225	225	200	60	60	30	100 000	600
		8-14 Cu (B-C)	100	110	100	30	60	30	100 000	600
	2/0-8 Cu (G-I)	2/0-8 Cu (G-I)	225	225	200	60	60	30	100 000	600
		8-12 Cu (G-I)	100	110	100	30	60	30	100 000	600
1492-PDE1C141	2/0-6 Cu	2-14 Cu	300					30	100 000	600
1492-PDE1C142	3/0-8 Cu (B-C)	2-8 Cu (B-C)	225	225	200	60	60	30	100 000	600
		8-14 Cu (B-C)	100	110	100	30	60	30	100 000	600
	2/0-8 Cu (G-I)	2/0-8 Cu (G-I)	225	225	200	60	60	30	100 000	600
		8-12 Cu (G-I)	100	110	100	30	60	30	100 000	600
1492-PDE1183	400-3/0 Cu	2-8 Cu	400	400	400	200	60	30	100 000	600
	2/0-6 Cu	2-14 Cu	200	200	200	100	60	30	100 000	600
1492-PDE1C183	400-3/0 Cu	2-8 Cu	400	400	400	200	60	30	100 000	600
	2/0-6 Cu	2-14 Cu	200	200	200	100	60	30	100 000	600
1492-PDE1225	250-1/0 Cu	250-1/0 Cu	600	600	600	—	—	—	50 000	600
			400	400	400	200	60	30	100 000	600
	2-6 Cu	2-6 Cu	400	400	400	200	60	30	100 000	600
1492-PDE1C225	250-1/0 Cu	250-1/0 Cu	600	600	600	—	—	—	50 000	600
			400	400	400	200	60	30	100 000	600
	2-6 Cu	2-6 Cu	400	400	400	200	60	30	100 000	600
1492-PDM3111	2-6 Cu	2-6 Cu	200	200	200	100	60	30	100 000	600
	8-10 Cu	8-10 Cu	100	100	100	—	60	30	100 000	600
1492-PDME1111	2-14 Cu	2-14 Cu	175	225	100	30	60	30	100 000	600
1492-PDM3141	2-6 Cu	10-14 Cu	200	200	200	100	60	30	200 000	600
	8-10 Cu	14 Cu	100	100	100	30	60	30	100 000	600
1492-PDME1141	2-10 Cu (B-C) 4 - 10 Cu (G-K)	10-14 Cu (B-C) (G-K)	125	200	100	30	60	30	65 000	600

★ **Short-circuit Current Rating (SCCR) Conditions** — Terminal blocks are considered suitable for use on a circuit capable of delivering not more than the stated SCCR at the maximum voltage specified when protected by the maximum ampere and Class of overcurrent protective device noted in the individual Recognitions.

‡ **Short-circuit Current Rating, (SCCR)** when noted additional conditions are provided. When larger overcurrent protection devices of type, or wire of different size is used, the Power Terminal block as a 10,000 amp withstand rating. **Note** the rated wire range of terminals may exceed the restrictive wire range used to provide higher SCCR.

§ **Size Range of Line and Load** conductors suitable to maintain noted SCCR.

✦ **Maximum Size** of Line side overcurrent protection to provide noted SCCR.

Approximate Dimensions

Dimensions are in inches (millimeters). Dimensions are not intended to be used for manufacturing purposes.

1492-PD

Figure 1

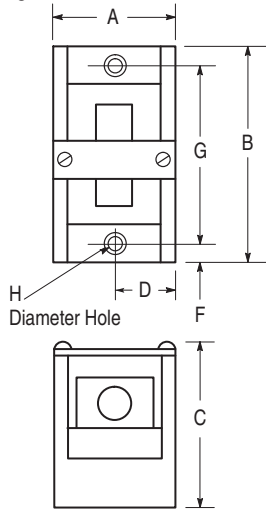


Figure 2

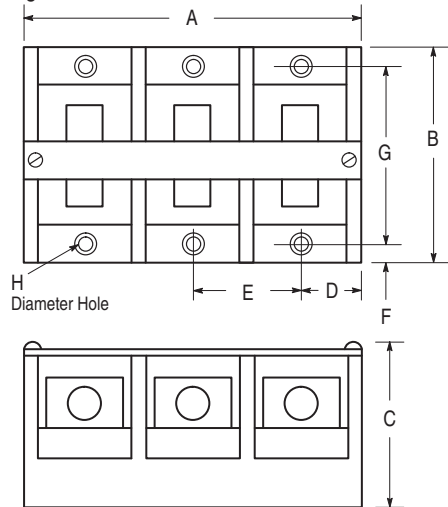
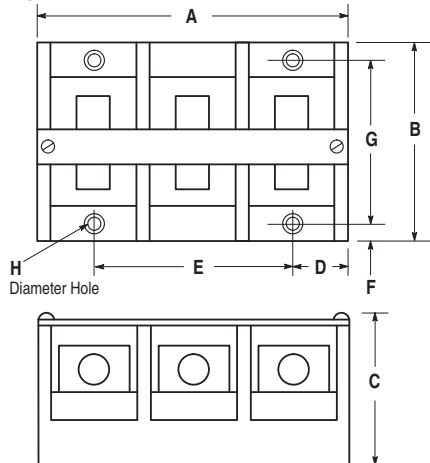


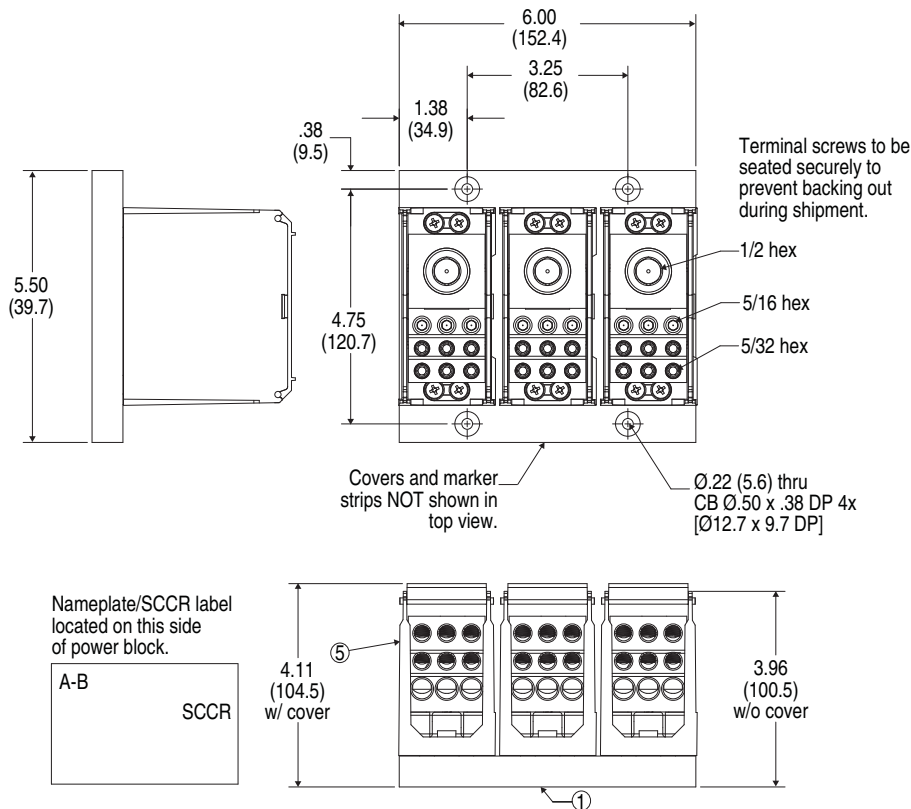
Figure 3



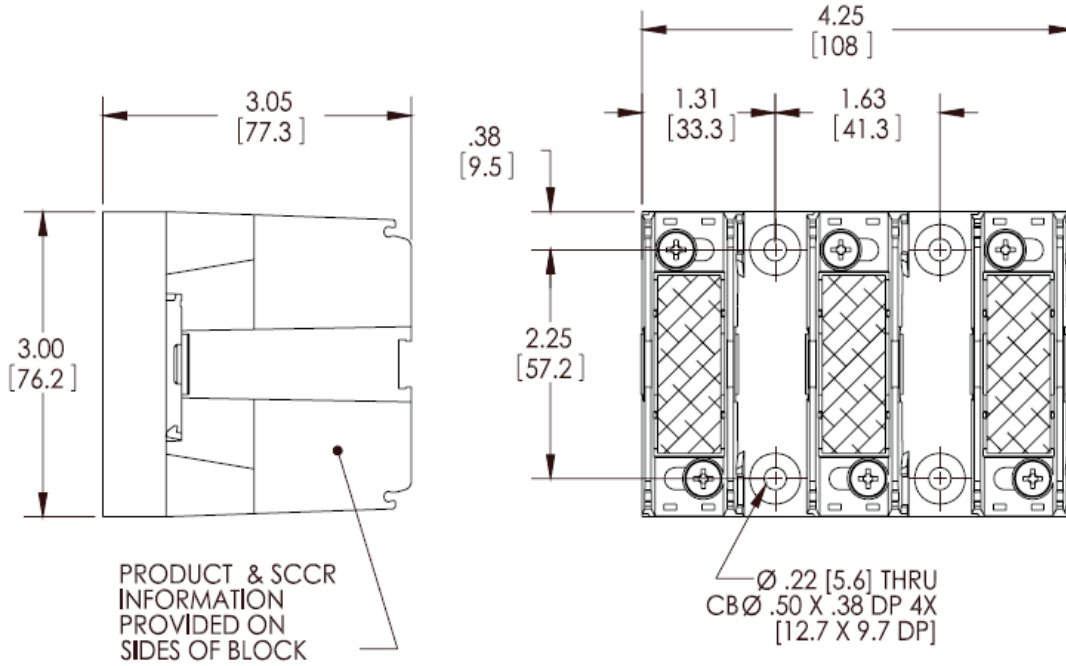
Cat. No.	Figure	A	B	C	D	E	F	G	H
1492-PDM3111	3★	2.03 (51.56)	2.29 (58.17)	1.62 (41.15)	0.38 (9.68)	1.27 (32.26)	0.19 (4.83)	1.93 (49.02)	0.201 (5.11)
1492-PDM3141	3★	2.03 (51.56)	2.29 (58.17)	1.62 (41.15)	0.38 (9.68)	1.27 (32.26)	0.19 (4.83)	1.93 (49.02)	0.201 (5.11)
1492-50Y	1	1.13 (28.7)	2.88 (73.15)	1.88 (47.8)	0.56 (14.22)	—	0.31 (7.87)	2.25 (57.15)	0.205 (5.21)
1492-100Y	1	1.13 (28.7)	2.88 (73.15)	1.88 (47.8)	0.56 (14.22)	—	0.31 (7.87)	2.25 (57.15)	0.205 (5.21)
1492-50X	3	2.75 (69.85)	2.88 (73.15)	1.88 (47.8)	0.56 (14.22)	1.62 (41.2)	0.31 (7.87)	2.25 (57.15)	0.205 (5.21)
1492-100X	3	2.75 (69.85)	2.88 (73.15)	1.88 (47.8)	0.56 (14.22)	1.62 (41.2)	0.31 (7.87)	2.25 (57.15)	0.205 (5.21)
1492-50XF	3	2.75 (69.85)	2.88 (73.15)	1.88 (47.8)	0.56 (14.22)	1.62 (41.2)	0.31 (7.87)	2.25 (57.15)	0.205 (5.21)
1492-50YF	1	1.13 (28.7)	2.88 (73.15)	1.88 (47.8)	0.56 (14.22)	—	0.31 (7.87)	2.25 (57.15)	0.205 (5.21)
1492-PD3C111	3	2.75 (69.85)	2.88 (73.15)	1.88 (47.8)	0.56 (14.22)	1.62 (41.2)	0.31 (7.87)	2.25 (57.15)	0.205 (5.21)
1492-PD3C141	3	2.75 (69.85)	2.88 (73.15)	1.88 (47.8)	0.56 (14.22)	1.62 (41.2)	0.31 (7.87)	2.25 (57.15)	0.205 (5.21)
1492-PD3141	3	2.75 (69.85)	2.88 (73.15)	1.88 (47.8)	0.56 (14.22)	1.62 (41.2)	0.31 (7.87)	2.25 (57.15)	0.205 (5.21)
1492-BE	1	1.94 (49.28)	4 (101.6)	2.72 (69.1)	0.97 (24.64)	—	0.31 (7.87)	3.38 (85.85)	0.203 (5.16)
1492-PD3C112	2	5 (127)	4 (101.6)	2.72 (69.1)	0.97 (24.64)	1.53 (38.86)	0.31 (7.87)	3.38 (85.85)	0.203 (5.16)
1492-PD3113	2	5 (127)	4 (101.6)	2.72 (69.1)	0.97 (24.64)	1.53 (38.86)	0.31 (7.87)	3.38 (85.85)	0.203 (5.16)
1492-PD3263	2	5 (127)	4 (101.6)	2.72 (69.1)	0.97 (24.64)	1.53 (38.86)	0.31 (7.87)	3.38 (85.85)	0.203 (5.16)
1492-PD3163	2	5 (127)	4 (101.6)	2.72 (69.1)	0.97 (24.64)	1.53 (38.86)	0.31 (7.87)	3.38 (85.85)	0.203 (5.16)
1492-PD3C163	2	5 (127)	4 (101.6)	2.72 (69.1)	0.97 (24.64)	1.53 (38.86)	0.31 (7.87)	3.38 (85.85)	0.203 (5.16)
1492-PD3C263	2	5 (127)	4 (101.6)	2.72 (69.1)	0.97 (24.64)	1.53 (38.86)	0.31 (7.87)	3.38 (85.85)	0.203 (5.16)
1492-BF	1	2.28 (57.91)	4.75 (120.65)	2.92 (74.2)	1.12 (28.45)	—	0.31 (7.87)	4.13 (104.9)	0.203 (5.16)
1492-PD3183	2	6.04 (153.42)	4.75 (120.65)	2.92 (74.2)	1.12 (28.45)	1.88 (47.75)	0.31 (7.87)	4.13 (104.9)	0.203 (5.16)
1492-BG	1	3.17 (80.25)	5.50 (139.7)	3.23 (82.0)	1.58 (40.13)	—	0.38 (9.68)	4.75 (120.65)	0.265 (6.73)
1492-PD31123	2	8.54 (216.92)	5.50 (139.7)	3.23 (82.0)	1.58 (40.13)	2.69 (68.58)	0.38 (9.68)	4.75 (120.65)	0.265 (6.73)
1492-PD3287	2	8.54 (216.92)	5.50 (139.7)	3.23 (82.0)	1.58 (40.13)	2.69 (68.58)	0.38 (9.68)	4.75 (120.65)	0.265 (6.73)
1492-PD32127	2	8.54 (216.92)	5.50 (139.7)	3.23 (82.0)	1.58 (40.13)	2.69 (68.58)	0.38 (9.68)	4.75 (120.65)	0.265 (6.73)
1492-PD3226	2	8.54 (216.92)	5.50 (139.7)	3.23 (82.0)	1.58 (40.13)	2.69 (68.58)	0.38 (9.68)	4.75 (120.65)	0.265 (6.73)
1492-PD3C2127	2	8.54 (216.92)	5.50 (139.7)	3.23 (82.0)	1.58 (40.13)	2.69 (68.58)	0.38 (9.68)	4.75 (120.65)	0.265 (6.73)
1492-PD3C287	2	8.54 (216.92)	5.50 (139.7)	3.23 (82.0)	1.58 (40.13)	2.69 (68.58)	0.38 (9.68)	4.75 (120.65)	0.265 (6.73)

★ No marker strip.

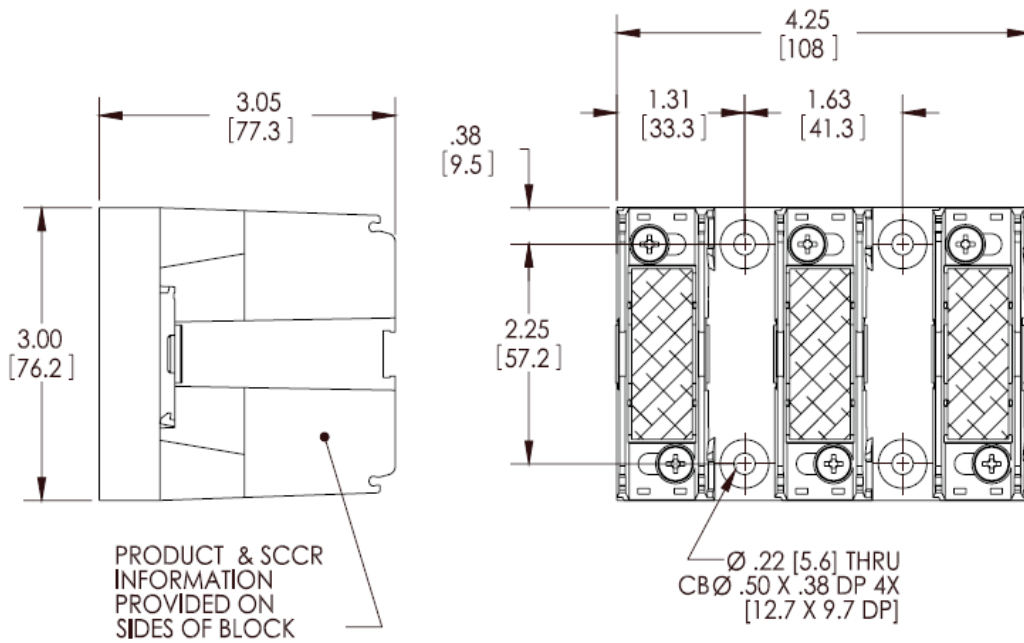
1492-PDL



Cat. Nos. 1492-PDL3163, 1492-PDL3194, 1492-PDL31124

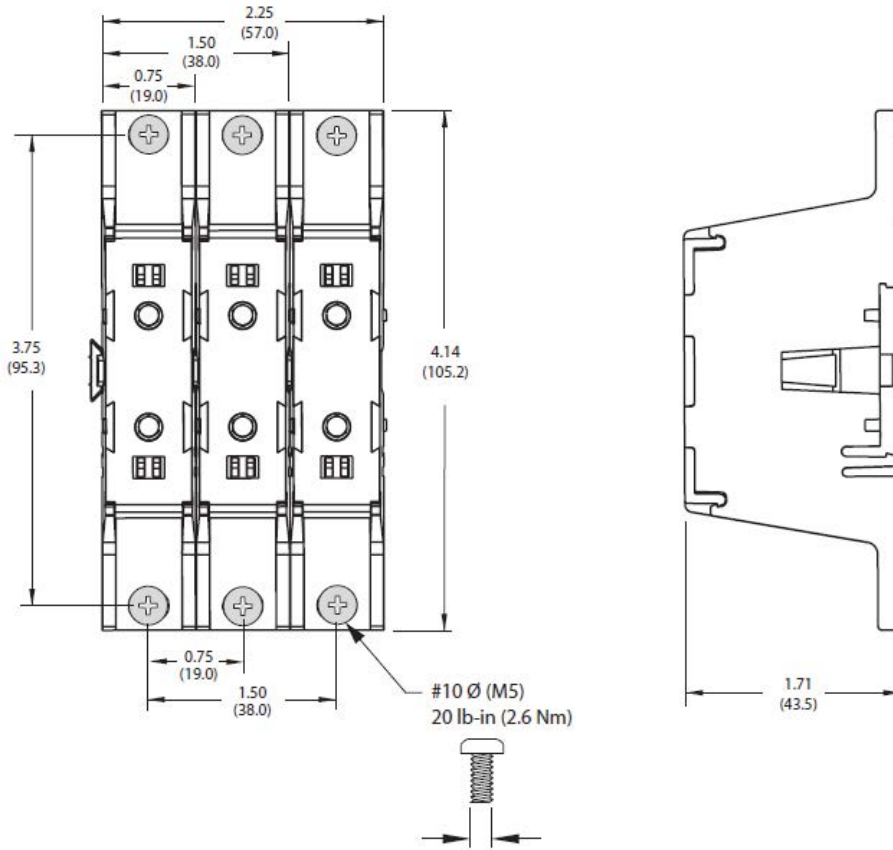


Cat. Nos. 1492-PDL3163, 1492-PDL3194, 1492-PDL31124

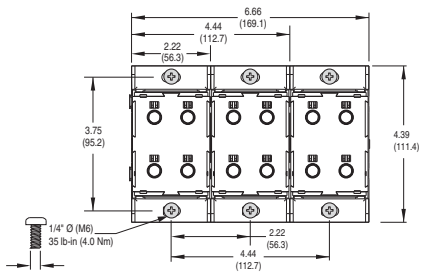


Cat. Nos. 1492-PDL31S1

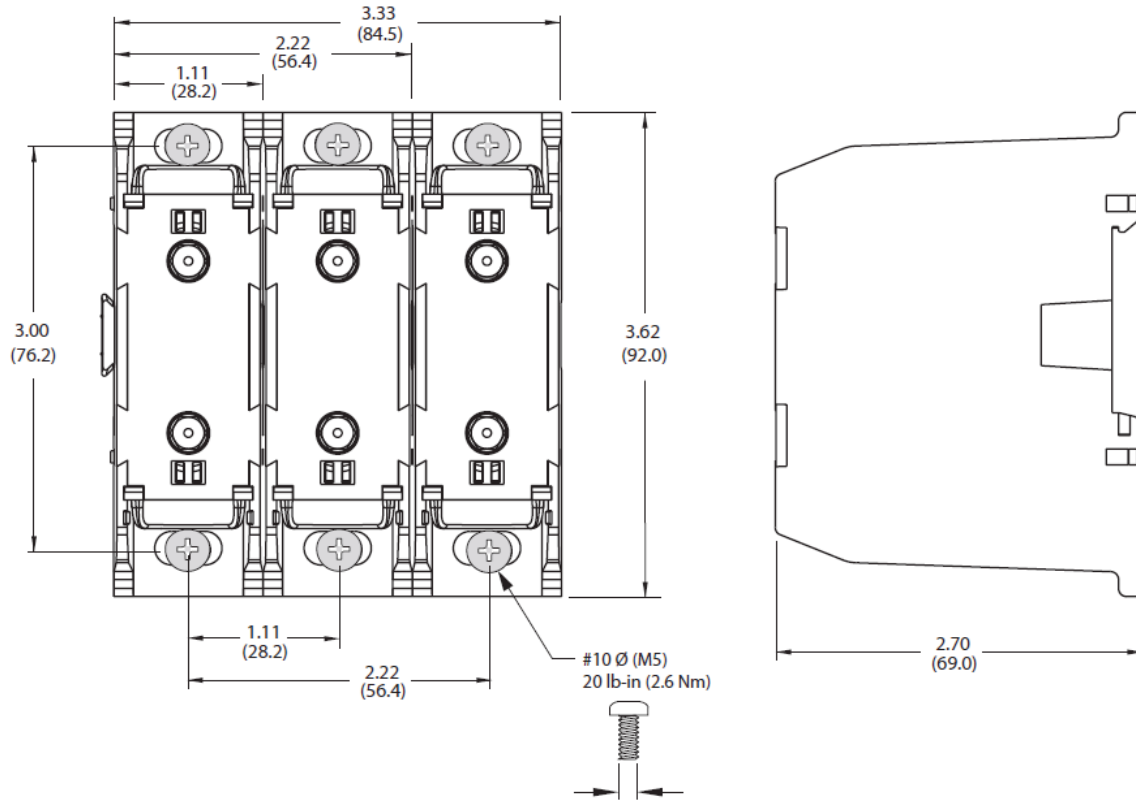
1492-PDE



Cat. Nos. 1492-PDME111 and 1492-PDME1141



Cat. Nos.: 1492-PDE1225, 1492-PDE1C225, 1492-PDE1183, 1492-PDE1C183



Cat. Nos. 1492-PDE1112, -PDE1C112, 1492-PDE1C12, 1492-PDE1142, 1492-PDE1C142

Important User Information

Read this document and the documents listed in the additional resources section about installation, configuration, and operation of this equipment before you install, configure, operate, or maintain this product. Users are required to familiarize themselves with installation and wiring instructions in addition to requirements of all applicable codes, laws, and standards.

Activities including installation, adjustments, putting into service, use, assembly, disassembly, and maintenance are required to be carried out by suitably trained personnel in accordance with applicable code of practice.

If this equipment is used in a manner not specified by the manufacturer, the protection provided by the equipment may be impaired.

In no event will Rockwell Automation, Inc. be responsible or liable for indirect or consequential damages resulting from the use or application of this equipment.

The examples and diagrams in this manual are included solely for illustrative purposes. Because of the many variables and requirements associated with any particular installation, Rockwell Automation, Inc. cannot assume responsibility or liability for actual use based on the examples and diagrams.

No patent liability is assumed by Rockwell Automation, Inc. with respect to use of information, circuits, equipment, or software described in this manual.

Reproduction of the contents of this manual, in whole or in part, without written permission of Rockwell Automation, Inc., is prohibited.

Documentation Feedback

Your comments will help us serve your documentation needs better. If you have any suggestions on how to improve this document, complete this form, publication [RA-DU002](#), available at <http://www.rockwellautomation.com/literature/>.

Allen-Bradley, Rockwell Software, Rockwell Automation, and LISTEN. THINK. SOLVE are trademarks of Rockwell Automation, Inc.
Trademarks not belonging to Rockwell Automation are property of their respective companies.

Rockwell Otomasyon Ticaret A.Ş., Kar Plaza İş Merkezi E Blok Kat:6 34752 İçerenköy, İstanbul, Tel: +90 (216) 5698400

www.rockwellautomation.com

Power, Control and Information Solutions Headquarters

Americas: Rockwell Automation, 1201 South Second Street, Milwaukee, WI 53204-2496 USA, Tel: (1) 414.382.2000, Fax: (1) 414.382.4444
Europe/Middle East/Africa: Rockwell Automation NV, Pegasus Park, De Kleetlaan 12a, 1831 Diegem, Belgium, Tel: (32) 2 663 0600, Fax: (32) 2 663 0640
Asia Pacific: Rockwell Automation, Level 14, Core F, Cyberport 3, 100 Cyberport Road, Hong Kong, Tel: (852) 2887 4788, Fax: (852) 2508 1846