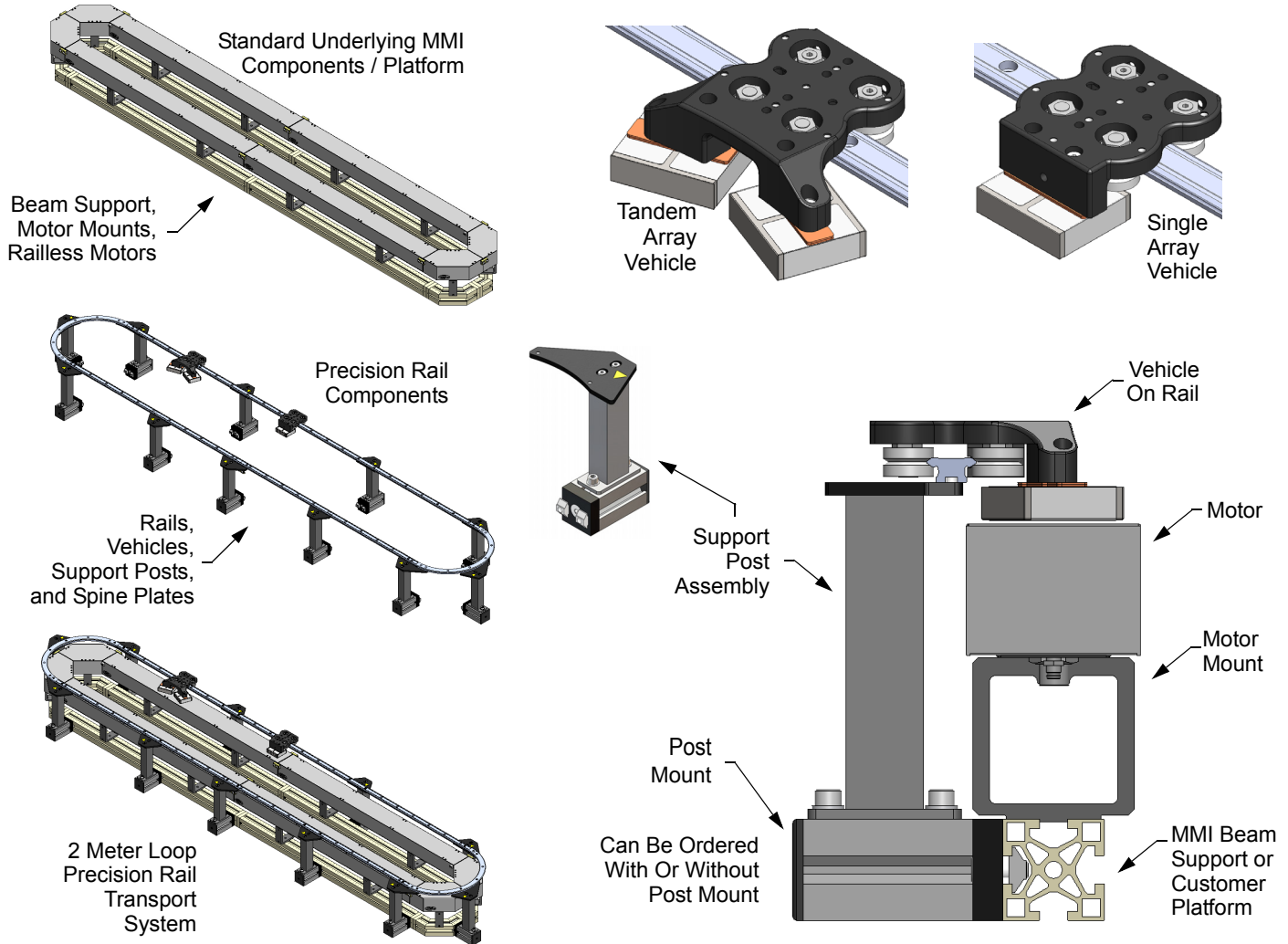


# Precision Rail Transport System Components

Catalog Numbers: 110-0093-00, 110-0093-01, 110-0094-00, 110-0094-01, 110-0095-00, 110-0095-01, 110-0095-02, 110-0095-03, 110-0096-00, 110-0096-01, 110-0097-00, 110-0097-01, 110-0102-00, 110-0102-01, 110-0103-00, 110-0106-00, 110-0106-01, 110-0126-00, 110-0126-01, 110-0131-00, 110-0131-01, 110-0131-02, 110-0131-03, 110-0137-00, 110-0137-01, 110-0137-02, 110-0137-03, 110-0140-00, 110-0140-01, 700-1525-00, 700-1528-00, 700-1622-00, 700-1622-02, 700-1622-03, 700-1622-05, 700-1622-06, 700-1622-20, 700-1622-22, 700-1622-23, 700-1622-25, 700-1622-26



- The Precision rail transport system is an optional guidance and vehicle solution for MM LITE railless motors. The rail system is detached from the motor modules and structurally supported by a network of support post assemblies.
- Posts are compatible with MM LITE stands and motor mounts. Posts can be added or removed based on application.
- Precision rails eliminate side to side vehicle clearance and wear components found in standard MM LITE puck.
- Rails are available in steel or 400 series stainless. Straight and curved rails are available to match any configuration possible with MM LITE railless motors.
- Single and tandem magnet array vehicles are structurally capable to carry 5 kg+ payloads. MM LITE motor performance varies with payload and number of arrays used. Please review your application with MagneMotion in advance.

## Performance Specifications

**Acceleration, Max:** Up to 4 m/s<sup>2</sup> in straights; payload dependent.

**Velocity, Max:** 2 m/s

## Environmental Specifications

**Ambient Temperature:** 0 °C to 50 °C

**Relative Humidity:** 0% to 85%, non-condensing

## Rockwell Automation Support

Use the following resources to access support information.

<b>Technical Support Center</b>	Knowledgebase Articles, How-to Videos, FAQs, Chat, User Forums, and Product Notification Updates.	<a href="https://rockwellautomation.custhelp.com/">https://rockwellautomation.custhelp.com/</a>
<b>Local Technical Support Phone Numbers</b>	Locate the phone number for your country.	<a href="http://www.rockwellautomation.com/global/support/get-support-now.page">http://www.rockwellautomation.com/global/support/get-support-now.page</a>
<b>Direct Dial Codes</b>	Find the Direct Dial Code for your product. Use the code to route your call directly to a technical support engineer.	<a href="http://www.rockwellautomation.com/global/support/direct-dial.page">http://www.rockwellautomation.com/global/support/direct-dial.page</a>
<b>Literature Library</b>	Installation Instructions, Manuals, Brochures, and Technical Data.	<a href="http://www.rockwellautomation.com/global/literature-library/overview.page">http://www.rockwellautomation.com/global/literature-library/overview.page</a>
<b>Product Compatibility and Download Center (PCDC)</b>	Get help determining how products interact, check features and capabilities, and find associated firmware.	<a href="http://www.rockwellautomation.com/global/support/pcdc.page">http://www.rockwellautomation.com/global/support/pcdc.page</a>

## Documentation Feedback

Your comments will help us serve your documentation needs better. If you have any suggestions on how to improve this document, complete the How Are We Doing? form at [http://literature.rockwellautomation.com/idc/groups/literature/documents/du/ra-du002\\_-en-e.pdf](http://literature.rockwellautomation.com/idc/groups/literature/documents/du/ra-du002_-en-e.pdf).

Rockwell Automation maintains current product environmental information on its website at <http://www.rockwellautomation.com/rockwellautomation/about-us/sustainability-ethics/product-environmental-compliance.page>.

Product certificates are located in the Rockwell Automation Literature Library: <http://www.rockwellautomation.com/global/literature-library/overview.page>

Allen-Bradley, Rockwell Software, and Rockwell Automation are trademarks of Rockwell Automation, Inc.

Trademarks not belonging to Rockwell Automation are property of their respective companies.

Rockwell Otomasyon Ticaret A.Ş., Kar Plaza İş Merkezi E Blok Kat:6 34752 İçerenköy, İstanbul, Tel: +90 (216) 5698400

**[www.rockwellautomation.com](http://www.rockwellautomation.com)**

### Power, Control and Information Solutions Headquarters

Americas: Rockwell Automation, 1201 South Second Street, Milwaukee, WI 53204-2496 USA, Tel: (1) 414.382.2000, Fax: (1) 414.382.4444

Europe/Middle East/Africa: Rockwell Automation NV, Pegasus Park, De Kleetlaan 12a, 1831 Diegem, Belgium, Tel: (32) 2 663 0600, Fax: (32) 2 663 0640

Asia Pacific: Rockwell Automation, Level 14, Core F, Cyberport 3, 100 Cyberport Road, Hong Kong, Tel: (852) 2887 4788, Fax: (852) 2508 1846

Copyright © 2015 MagneMotion, A Rockwell Automation Company. All Rights Reserved.

139 Barnum Road, Devens, MA 01434, USA

+1 978-757-9100

Publication MMI-TD031A-EN-P - February 2015

DIR 990000690

[www.rockwellautomation.com](http://www.rockwellautomation.com)