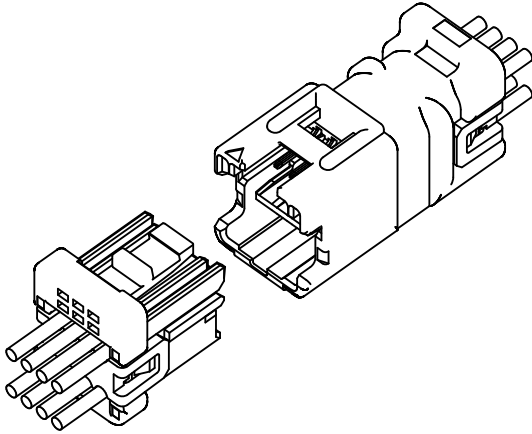


# ZIM CONNECTOR

1.5 mm pitch/ Wire-to-wire connector



This is wire-to-wire connector with 1.5 mm pitch dual-row construction. It is hardly affected by external forces and prevents the lock from coming off.

- Inertia lock mechanism
- Retainer mountable type
- Designed for improved insertion workability
- Strong lock release prevention mechanism
- Development of keying is enabled.

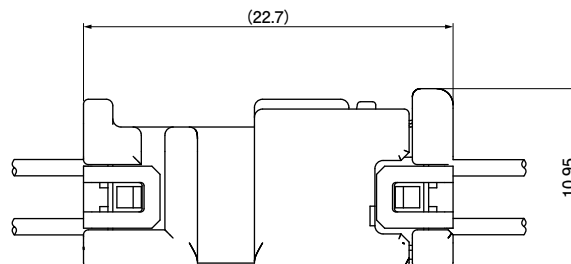
## ■ Standards

☑ :Recognized E 60389

## ■ Specifications

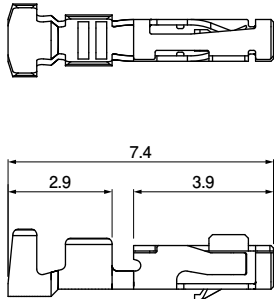
- Current rating: 2 A AC/DC (AWG #24)
- Voltage rating: 100 V AC/DC
- Temperature range: -25°C to +85°C  
(including temperature rise in applying electrical current)
- Contact resistance:
  - Initial value/ 15 mΩ max.
  - After environmental tests/ 25 mΩ max.
- Insulation resistance: 500 MΩ min.
- Withstanding voltage: 500 VAC/minute
- Applicable wire range:
  - Conductor size/ AWG #28 to #24
  - Insulation O.D/  $\phi$ 0.76 mm to  $\phi$ 1.3 mm upon not using a retainer
  - $\phi$ 1.0 mm to  $\phi$ 1.3 mm upon using a retainer
- \* In using the products, refer to “Handling Precaution for Terminals and Connectors” described on our website (Technical documents of Product information page).
- \* RoHS2 compliance
- \* Dimensional unit: mm
- \* Contact JST for details.

## Assembly layout

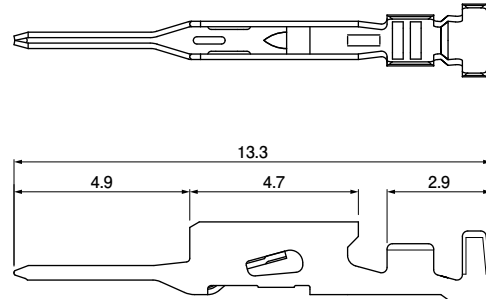


## Contact

### Socket contact



### Pin contact



### Socket contact

Model No.	Applicable wire range		Q'ty/ reel
	Conductor size AWG (mm <sup>2</sup> )	Insulation O.D. (mm)	
SZND-002T-P0.5	#28 to #24 (0.08 to 0.21)	0.76 to 1.3 <sup>(Note)</sup>	23,000
Material and Finish			
Copper alloy, tin-plated			

#### RoHS2 compliance

Note: The insulation O.D. is  $\phi$  1.0 mm to  $\phi$  1.3 mm upon using a retainer.

#### Crimping machine

Contact	Crimping machine	Applicator	Crimp applicator with dies
SZND-002T-P0.5	AP-K2N	MKS-L	APLMK SZND/M002-05

Note: Contact JST for fully automatic crimping applicator.

### Pin contact

Model No.	Applicable wire range		Q'ty/ reel
	Conductor size AWG (mm <sup>2</sup> )	Insulation O.D. (mm)	
SZNDM-002T-P0.5	#28 to #24 (0.08 to 0.21)	0.76 to 1.3 <sup>(Note)</sup>	14,000
Material and Finish			
Copper alloy, tin-plated			

#### RoHS2 compliance

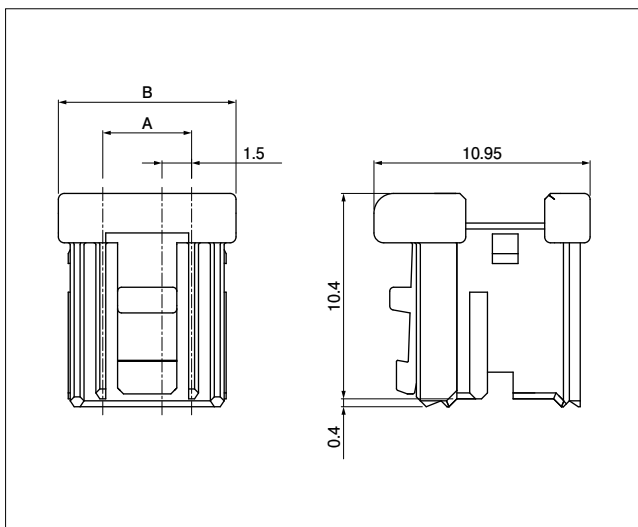
Note: The insulation O.D. is  $\phi$  1.0 mm to  $\phi$  1.3 mm upon using a retainer.

#### Crimping machine

Contact	Crimping machine	Applicator	Crimp applicator with dies
SZNDM-002T-P0.5	AP-K2N	MKS-L	APLMK SZND/M002-05

Note: Contact JST for fully automatic crimping applicator.

## Plug housing (for socket contact)



No. of circuits	Model No.	Dimensions (mm)		Q'ty/bag
		A	B	
8	ZIMRP-08V-A-S	4.5	9.0	1,000
10	ZIMRP-10V-A-S	6.0	10.5	1,000

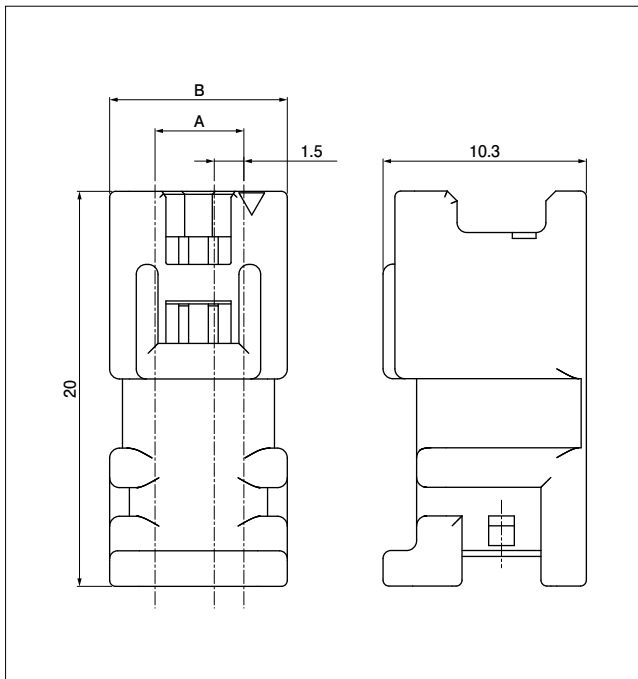
#### Material and Finish

PBT (Glass-filled), UL94V-0, natural

#### RoHS2 compliance

# ZIM CONNECTOR

## Receptacle housing (for pin contact)



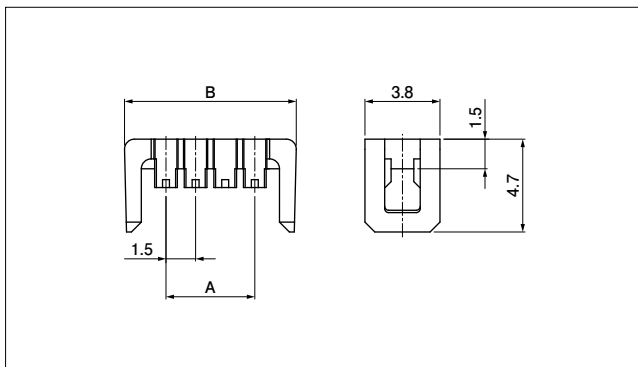
No. of circuits	Model No.	Dimensions (mm)		Q'ty/bag
		A	B	
8	ZIMRR-08VF-A-S	4.5	9.0	500
10	ZIMRR-10VF-A-S	6.0	10.5	500

### Material and Finish

PBT (Glass-filled), UL94V-0, natural

RoHS2 compliance

## Retainer



No. of circuits	Model No.	Dimensions (mm)		Q'ty/bag
		A	B	
8	ZNDS-08V-K	4.5	8.7	2,000
10	ZNDS-10V-K	6.0	10.2	2,000

### Material and Finish

PA 66 (Glass-filled), UL94V-0, black

RoHS2 compliance

## Model number allocation

### Socket contact

**S ZND - 002 T - P 0.5**

Series name S ZND - 002 T - P 0.5  
Part name: S...Strip form  
Applicable wire range: 002...AWG #28 to #24  
Surface finish: T...Tin-plated  
Material: P...Copper alloy  
Terminal size 0.5

### Pin contact

**S ZND M - 002 T - P 0.5**

Series name S ZND M - 002 T - P 0.5  
Part name: M...Pin contact  
Applicable wire range: 002...AWG #28 to #24  
Surface finish: T...Tin-plated  
Material: P...Copper alloy  
Terminal size 0.5

### Plug housing

**ZIM RP - 08 V - A - S**

Series name ZIM RP - 08 V - A - S  
Part name: RP...Plug  
 (Retainer mountable type)  
No. of circuits V - A - S  
Flammability: V...UL94V-0  
Key pattern: A...Key pattern A  
Color: S...Natural

### Receptacle housing

**ZIM RR - 08 V F - A - S**

Series name ZIM RR - 08 V F - A - S  
Part name: RR...Receptacle  
 (Retainer mountable type)  
No. of circuits V F - A - S  
Flammability: V...UL94V-0  
Supplementary symbol: F...Without panel lock  
Key pattern: A...Key pattern A  
Color: S...Natural

### Retainer

**ZND S - 08 V - K**

Series name ZND S - 08 V - K  
Part name: S...Retainer  
No. of circuits V - K  
Flammability: V...UL94V-0  
Color: K...Black