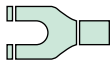
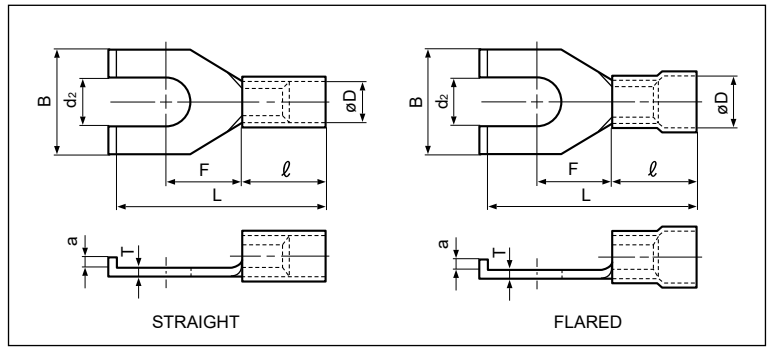
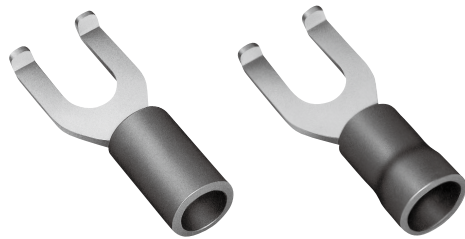
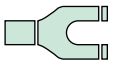


Solderless terminals



# FLANGED SPADE TONGUE (B type) Vinyl-insulated



Certificate No.: E42024 LR20812

| Applicable Wire<br>AWG#(mm <sup>2</sup> ) | Stud size |          | Part No.   |            | Standard    | Dimensions mm (in.) |             |             |             |            |             |            |            |            |        | Color   | Tool No. | Qty/box |
|---|-----------|----------|------------|------------|-------------|---------------------|-------------|-------------|-------------|------------|-------------|------------|------------|------------|--------|---|----------|---------|
|   | American  | Metric   | Straight   | Flared     |             | d <sub>2</sub>      | B           | L           | F           | a          | ℓ           | ø D        |            | T          |        |   |          |         |
|   |           |          |            |            |             |                     |             |             |             |            |             | Str.       | Fid.       |            |        |   |          |         |
| 26 to 22<br>(0.2 to 0.5)                  | 1-2       | 2        | V0.5-2B    | FV0.5-2B   |             | 2.2 (.087)          | 4.6 (.181)  | 15.6 (.614) | 4.5 (.177)  | 1.0 (.039) | 8.0 (.315)  | 1.9 (.075) | 2.9 (.114) | 0.5 (.020) | Yellow | YNT-2622<br>YA-1,YA-2<br>BCT-0514L            | 1,000    |         |
| 22 to 16<br>*(0.25 to 1.65)               | 5-6       | 3.5      | V1.25-S3B  | FV1.25-S3B |             | 3.7 (.146)          | 7.5 (.295)  | 17.3 (.681) | 5.1 (.201)  | 1.5 (.059) | 9.0 (.354)  | 3.2 (.126) | 4.0 (.157) | 0.8 (.031) | Red    | YNT-2216<br>YA-1<br>YA-2<br>YA-4<br>BCT-0514L | 1,000    |         |
|   | 5-6       | 3.5      | V1.25-3B   | FV1.25-3B  |             | 3.7 (.146)          | 8.5 (.335)  | 21.7 (.854) | 7.2 (.284)  |            |             |            |            |            |        |   |          |         |
|   | 8         | 4        | V1.25-YS4B | -          |             | 4.3 (.169)          | 6.4 (.252)  | 18.4 (.724) | 6.3 (.248)  |            |             |            |            |            |        |   |          |         |
|   | 8         | 4        | V1.25-S4B  | FV1.25-S4B |             | 4.3 (.169)          | 7.5 (.295)  | 17.3 (.681) | 5.1 (.201)  |            |             |            |            |            |        |   |          |         |
|   | 8         | 4        | V1.25-4B   | FV1.25-4B  |             | 4.3 (.169)          | 8.5 (.335)  | 22.7 (.894) | 7.2 (.284)  |            |             |            |            |            |        |   |          |         |
|   | 10        | 5        | V1.25-5B   | FV1.25-5B  |             | 5.3 (.209)          | 8.5 (.335)  | 22.7 (.894) | 7.2 (.284)  |            |             |            |            |            |        |   |          |         |
| 1/4                                       | 6         | V1.25-6B | FV1.25-6B  | 6.4 (.252) | 13.5 (.532) | 28.2(1.110)         | 11.7 (.461) | 1.5 (.059)  | 500         |            |             |            |            |            |        |   |          |         |
| 16 to 14<br>(1.04 to 2.63)                | 5-6       | 3.5      | V2-YS3B    | -          |             | 3.7 (.146)          | 6.4 (.252)  | 18.6 (.732) | 6.3 (.248)  | 1.5 (.059) | 9.0 (.354)  | 3.9 (.154) | 4.5 (.177) | 0.8 (.031) | Blue   | YNT-1614<br>YA-1<br>YA-2<br>YA-4<br>BCT-0514L | 1,000    |         |
|   | 5-6       | 3.5      | V2-T3B     | FV2-T3B    |             | 3.7 (.146)          | 7.5 (.295)  | 17.7 (.697) | 5.2 (.205)  |            |             |            |            |            |        |   |          |         |
|   | 5-6       | 3.5      | V2-S3B     | -          |             | 3.7 (.146)          | 8.5 (.335)  | 19.0 (.748) | 7.2 (.284)  |            |             |            |            |            |        |   |          |         |
|   | 8         | 4        | V2-T4B     | FV2-T4B    |             | 4.3 (.169)          | 7.5 (.295)  | 17.7 (.696) | 5.2 (.205)  |            |             |            |            |            |        |   |          |         |
|   | 8         | 4        | V2-S4B     | -          |             | 4.3 (.169)          | 8.5 (.335)  | 19.0 (.748) | 7.2 (.284)  |            |             |            |            |            |        |   |          |         |
|   | 8         | 4        | V2-E4B     | FV2-E4B    |             | 4.3 (.169)          | 8.5 (.335)  | 19.4 (.764) | 7.3 (.287)  |            |             |            |            |            |        |   |          |         |
|   | 8         | 4        | V2-4B      | FV2-4B     |             | 4.3 (.169)          | 8.5 (.335)  | 21.2 (.835) | 7.3 (.287)  |            |             |            |            |            |        |   |          |         |
|   | 10        | 5        | V2-5B      | FV2-5B     |             | 5.3 (.209)          | 8.5 (.335)  | 21.2 (.835) | 7.3 (.287)  |            |             |            |            |            |        |   |          |         |
| 1/4                                       | 6         | V2-6B    | FV2-6B     | 6.4 (.252) | 13.5 (.532) | 28.2(1.110)         | 11.7 (.461) | 1.5 (.059)  | 500         |            |             |            |            |            |        |   |          |         |
| 12 to 10<br>(2.63 to 6.64)                | 5-6       | 3.5      | V5.5-S3B   | FV5.5-S3B  |             | 3.7 (.146)          | 7.6 (.299)  | 24.7 (.972) | 6.2 (.244)  | 1.5 (.059) | 13.5 (.531) | 5.4 (.213) | 6.8 (.268) | 1.0 (.039) | Yellow | YNT-1210S<br>YA-4<br>BCT-0514L                | 500      |         |
|   | 5-6       | 3.5      | V5.5-3B    | -          |             | 3.7 (.146)          | 8.5 (.335)  | 26.2(1.032) | 7.5 (.295)  |            |             |            |            |            |        |   |          |         |
|   | 8         | 4        | V5.5-S4B   | FV5.5-S4B  |             | 4.3 (.169)          | 7.6 (.299)  | 24.7 (.972) | 6.2 (.244)  |            |             |            |            |            |        |   |          |         |
|   | 8         | 4        | V5.5-4B    | FV5.5-4B   |             | 4.3 (.169)          | 8.5 (.335)  | 26.2(1.032) | 7.5 (.295)  |            |             |            |            |            |        |   |          |         |
|   | 10        | 5        | V5.5-S5B   | FV5.5-S5B  |             | 5.3 (.209)          | 7.6 (.299)  | 24.7 (.972) | 6.2 (.244)  |            |             |            |            |            |        |   |          |         |
|   | 10        | 5        | V5.5-5B    | FV5.5-5B   |             | 5.3 (.209)          | 8.5 (.335)  | 26.2(1.032) | 7.5 (.295)  |            |             |            |            |            |        |   |          |         |
|   | 10        | 5        | V5.5-E5B   | FV5.5-E5B  |             | 5.3 (.209)          | 9.5 (.374)  | 24.2 (.953) | 7.5 (.295)  |            |             |            |            |            |        |   |          |         |
|   | 1/4       | 6        | -          | FV5.5-6B   |             | 6.4 (.252)          | 13.5 (.532) | 33.2(1.307) | 12.2 (.480) | 1.5 (.059) |             |            |            |            |        |   | 250      |         |

- Note:1) \*The crimping will be more secure if the total cross-sectional area of the wire is at least 0.5 mm<sup>2</sup>.  
 Examples : If the cross-sectional area of the wire is 0.3 mm<sup>2</sup>, fold the wire in two when crimping the terminal.  
 If the cross-sectional area of the wire is 0.5 mm<sup>2</sup>, crimp the terminal onto the wire as it is.
- The part numbers indicated in the above table are for products with a brazed seam.  
 When ordering products with a butted seam, add the prefix "WS" to the part number (ex. V2-4B →VWS2-4B).
  - To order products with nylon insulation, change the "V" in the part number prefix to "N" (ex. V2-T4B →N2-T4B).  
 Because nylon absorbs moisture, care must be taken concerning storage.
  - Delivery lead times may vary depending on the product. Contact JST for details.