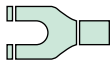
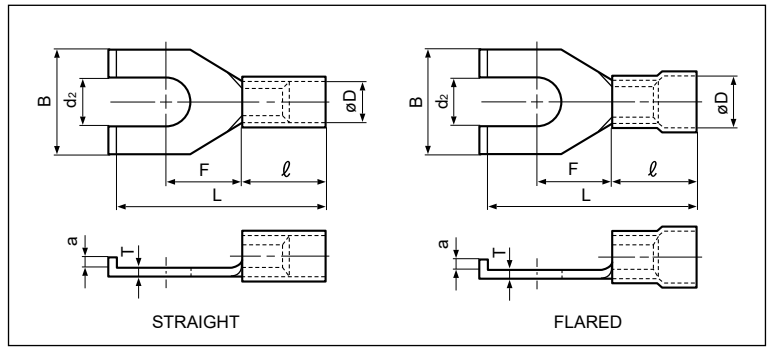
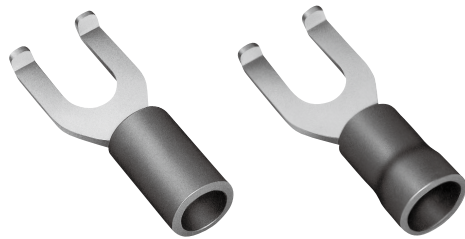
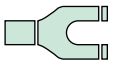


Solderless terminals



# FLANGED SPADE TONGUE (B type) Vinyl-insulated



Certificate No.: E42024 LR20812

Applicable Wire AWG#(mm <sup>2</sup> )	Stud size		Part No.		Standard	Dimensions mm (in.)										Color	Tool No.	Qty/box
	American	Metric	Straight	Flared		d <sub>2</sub>	B	L	F	a	ℓ	ø D		T				
												Str.	Fid.					
26 to 22 (0.2 to 0.5)	1-2	2	V0.5-2B	FV0.5-2B		2.2 (.087)	4.6 (.181)	15.6 (.614)	4.5 (.177)	1.0 (.039)	8.0 (.315)	1.9 (.075)	2.9 (.114)	0.5 (.020)	Yellow	YNT-2622 YA-1,YA-2 BCT-0514L	1,000	
22 to 16 *(0.25 to 1.65)	5-6	3.5	V1.25-S3B	FV1.25-S3B		3.7 (.146)	7.5 (.295)	17.3 (.681)	5.1 (.201)	1.5 (.059)	9.0 (.354)	3.2 (.126)	4.0 (.157)	0.8 (.031)	Red	YNT-2216 YA-1 YA-2 YA-4 BCT-0514L	1,000	
	5-6	3.5	V1.25-3B	FV1.25-3B		3.7 (.146)	8.5 (.335)	21.7 (.854)	7.2 (.284)									
	8	4	V1.25-YS4B	-		4.3 (.169)	6.4 (.252)	18.4 (.724)	6.3 (.248)									
	8	4	V1.25-S4B	FV1.25-S4B		4.3 (.169)	7.5 (.295)	17.3 (.681)	5.1 (.201)									
	8	4	V1.25-4B	FV1.25-4B		4.3 (.169)	8.5 (.335)	22.7 (.894)	7.2 (.284)									
	10	5	V1.25-5B	FV1.25-5B		5.3 (.209)	8.5 (.335)	22.7 (.894)	7.2 (.284)									
1/4	6	V1.25-6B	FV1.25-6B	6.4 (.252)	13.5 (.532)	28.2(1.110)	11.7 (.461)	1.5 (.059)	500									
16 to 14 (1.04 to 2.63)	5-6	3.5	V2-YS3B	-		3.7 (.146)	6.4 (.252)	18.6 (.732)	6.3 (.248)	1.5 (.059)	9.0 (.354)	3.9 (.154)	4.5 (.177)	0.8 (.031)	Blue	YNT-1614 YA-1 YA-2 YA-4 BCT-0514L	1,000	
	5-6	3.5	V2-T3B	FV2-T3B		3.7 (.146)	7.5 (.295)	17.7 (.697)	5.2 (.205)									
	5-6	3.5	V2-S3B	-		3.7 (.146)	8.5 (.335)	19.0 (.748)	7.2 (.284)									
	8	4	V2-T4B	FV2-T4B		4.3 (.169)	7.5 (.295)	17.7 (.696)	5.2 (.205)									
	8	4	V2-S4B	-		4.3 (.169)	8.5 (.335)	19.0 (.748)	7.2 (.284)									
	8	4	V2-E4B	FV2-E4B		4.3 (.169)	8.5 (.335)	19.4 (.764)	7.3 (.287)									
	8	4	V2-4B	FV2-4B		4.3 (.169)	8.5 (.335)	21.2 (.835)	7.3 (.287)									
	10	5	V2-5B	FV2-5B		5.3 (.209)	8.5 (.335)	21.2 (.835)	7.3 (.287)									
1/4	6	V2-6B	FV2-6B	6.4 (.252)	13.5 (.532)	28.2(1.110)	11.7 (.461)	1.5 (.059)	500									
12 to 10 (2.63 to 6.64)	5-6	3.5	V5.5-S3B	FV5.5-S3B		3.7 (.146)	7.6 (.299)	24.7 (.972)	6.2 (.244)	1.5 (.059)	13.5 (.531)	5.4 (.213)	6.8 (.268)	1.0 (.039)	Yellow	YNT-1210S YA-4 BCT-0514L	500	
	5-6	3.5	V5.5-3B	-		3.7 (.146)	8.5 (.335)	26.2(1.032)	7.5 (.295)									
	8	4	V5.5-S4B	FV5.5-S4B		4.3 (.169)	7.6 (.299)	24.7 (.972)	6.2 (.244)									
	8	4	V5.5-4B	FV5.5-4B		4.3 (.169)	8.5 (.335)	26.2(1.032)	7.5 (.295)									
	10	5	V5.5-S5B	FV5.5-S5B		5.3 (.209)	7.6 (.299)	24.7 (.972)	6.2 (.244)									
	10	5	V5.5-5B	FV5.5-5B		5.3 (.209)	8.5 (.335)	26.2(1.032)	7.5 (.295)									
	10	5	V5.5-E5B	FV5.5-E5B		5.3 (.209)	9.5 (.374)	24.2 (.953)	7.5 (.295)									
	1/4	6	-	FV5.5-6B		6.4 (.252)	13.5 (.532)	33.2(1.307)	12.2 (.480)	1.5 (.059)								250

- Note:1) \*The crimping will be more secure if the total cross-sectional area of the wire is at least 0.5 mm<sup>2</sup>.  
 Examples : If the cross-sectional area of the wire is 0.3 mm<sup>2</sup>, fold the wire in two when crimping the terminal.  
 If the cross-sectional area of the wire is 0.5 mm<sup>2</sup>, crimp the terminal onto the wire as it is.
- The part numbers indicated in the above table are for products with a brazed seam.  
 When ordering products with a butted seam, add the prefix "WS" to the part number (ex. V2-4B →VWS2-4B).
  - To order products with nylon insulation, change the "V" in the part number prefix to "N" (ex. V2-T4B →N2-T4B).  
 Because nylon absorbs moisture, care must be taken concerning storage.
  - Delivery lead times may vary depending on the product. Contact JST for details.