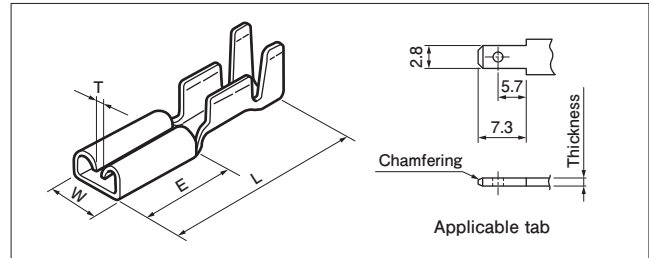


# TAB-ON TERMINAL

- \* In using the products, refer to "Handling Precautions for Terminals and Connectors" described on our website (Technical documents of Product information page).
- \* RoHS2 compliance
- \* Dimensional unit: mm
- \* Contact JST for details.

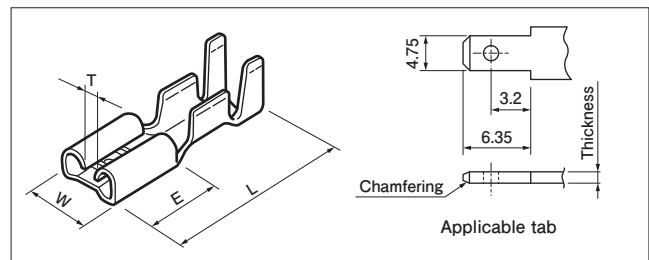
## #110 Tab-on type



Listed E70188 (Except when AWG #24 is applied)
 Recognized E70188 (AWG #24)
 Certified LR20812

Model No.	Standard	Applicable wire range		Material	Surface finish	Dimensions (mm)				Material thickness	Applicable tab thickness	Q'ty/reel
		Conductor size AWG (mm <sup>2</sup> )	Insulation O.D. (mm)			W	L	E	T			
STO-01-110N		#24 to #20 (0.2 to 0.5)	2.1 to 2.8	Brass	—	3.7	15.4	6.3	(0.6)	0.25	0.5	10,000
STO-01T-110N					Tin-plated						0.8	
STO-01-110N-8					—						0.5	
STO-01T-110N-8					Tin-plated						0.8	
STO-41-110N		#20 to #16 (0.5 to 1.25)	2.6 to 3.5	Brass	—	3.7	15.4	6.3	(0.6)	0.25	0.5	10,000
STO-41T-110N					Tin-plated						0.8	
STO-41T-110N-8					Tin-plated						0.8	

## #187 Tab-on type



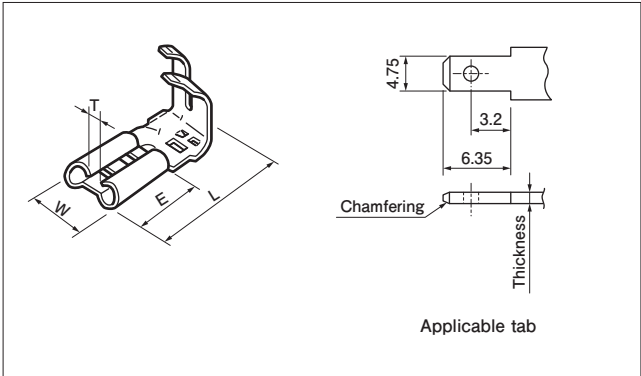
Listed E70188 (Except when AWG #24 is applied)
 Certified LR20812

Model No.	Standard	Applicable wire range		Material	Surface finish	Dimensions (mm)				Material thickness	Applicable tab thickness	Q'ty/reel
		Conductor size AWG (mm <sup>2</sup> )	Insulation O.D. (mm)			W	L	E	T			
STO-01-187N		#24 to #20 (0.2 to 0.5)	1.5 to 2.6	Brass	—	5.6	15.0	6.3	(1.5)	0.32	0.5	10,000
STO-01T-187N					Tin-plated						0.8	
STO-01-187N-8					—						0.5	
STO-01T-187N-8					Tin-plated						0.8	
STO-41-187N		#20 to #16 (0.5 to 1.25)	2.6 to 3.5	Brass	—	5.6	15.0	6.3	(1.5)	0.32	0.5	10,000
STO-41T-187N					Tin-plated						0.8	
STO-41-187N-8					—						0.5	
STO-41T-187N-8					Tin-plated						0.8	
* STO-62T-187N		UL1015 #20 + UL1015 #20 UL1015 #20 + UL1015 #18 UL1015 #18 + UL1015 #18		Brass	Tin-plated	5.6	19.6	6.4	(1.5)	0.32	0.5	4,000
* STO-82T-187N		UL1015 #18 + UL1015 #18 UL1015 #18 + UL1015 #16 UL1015 #16 + UL1015 #16		Brass	Tin-plated	5.6	19.6	6.4	(1.5)	0.32	0.5	4,000

Note: Terminal denoted by \* is used only for two wires. If using wires in other combinations than the ones shown above, contact JST.

# TAB-ON TERMINAL

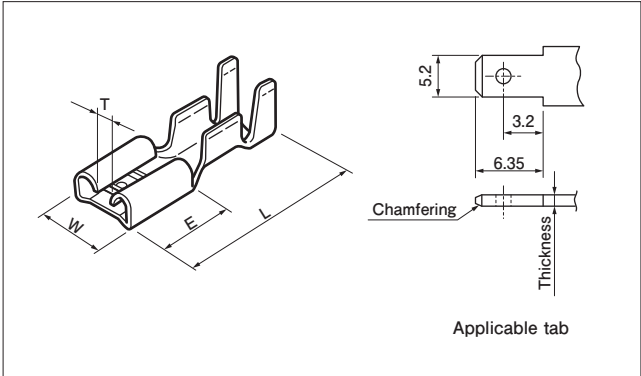
## #187 Tab-on flag type



UL LISTED E70188      SF Certified LR20812

Model No.	Standard	Applicable wire range		Material	Surface finish	Dimensions (mm)					Q'ty/reel	
		Conductor size AWG (mm <sup>2</sup> )	Insulation O.D. (mm)			W	L	E	T	Material thickness		Applicable tab thickness
SFO-41-187N	UL LISTED      SF	#20 to #16 (0.5 to 1.25)	2.6 to 3.5	Brass	—	5.6	12.3	6.4	(1.0)	0.32	0.5	5,000
SFO-41T-187N					Tin-plated						0.8	
SFO-41-187N-8					—							
SFO-41T-187N-8					Tin-plated							

## #205 Tab-on type

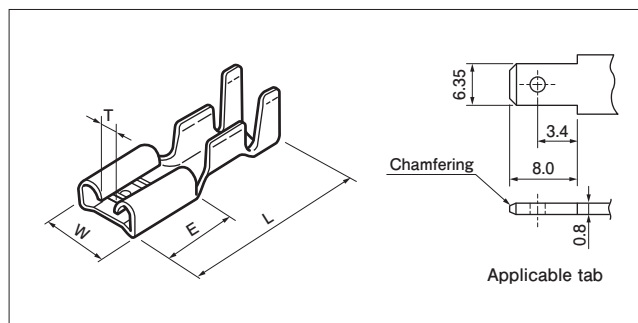


UL LISTED E70188      SF Certified LR20812

Model No.	Standard	Applicable wire range		Material	Surface finish	Dimensions (mm)					Q'ty/reel	
		Conductor size AWG (mm <sup>2</sup> )	Insulation O.D. (mm)			W	L	E	T	Material thickness		Applicable tab thickness
STO-21-205N-5	UL LISTED      SF	#22 to #18 (0.3 to 0.75)	2.3 to 3.0	Brass	—	6.4	15.9	6.4	(0.7)	0.4	0.5	7,500
STO-21T-205N-5					Tin-plated						0.8	
STO-21T-205N					Tin-plated							

# TAB-ON TERMINAL

## #250 Tab-on type



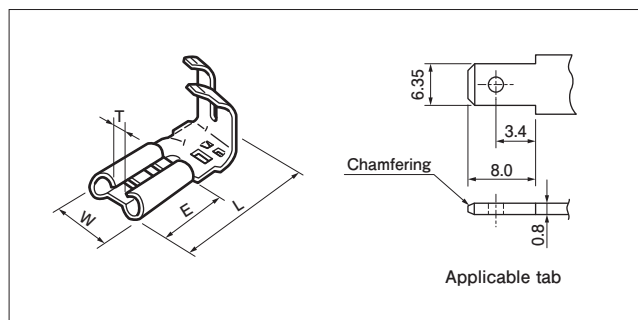
UL LISTED E70188

SF Certified LR20812

Model No.	Standard	Applicable wire range		Material	Surface finish	Dimensions (mm)					Q'ty/reel	
		Conductor size AWG (mm <sup>2</sup> )	Insulation O.D. (mm)			W	L	E	T	Material thickness		Applicable tab thickness
STO-21-250N	UL LISTED SF	#22 to #18 (0.3 to 0.75)	2.3 to 3.0	Brass	—	7.7	19.0	7.8	(2.4)	0.4	0.8	5,000
STO-21T-250N					Tin-plated							
STO-61-250N	UL LISTED SF	#18 to #14 (0.75 to 2.0)	2.8 to 3.8		—	7.6	19.6	8.0	(1.6)	0.45		
STO-61T-250N					Tin-plated							
STO-81-250N	UL LISTED SF	#14 to #12 (2.0 to 3.5)	3.8 to 5.0		—	7.6	19.0	8.0	(1.6)	0.45		
STO-81T-250N					Tin-plated							
*STO-62T-250N		UL1015 #20 + UL1015 #20 UL1015 #20 + UL1015 #18 UL1015 #18 + UL1015 #18									5,000	

Note: Terminal denoted by \* is used only for two wires. If using wires in other combinations than the ones shown above, contact JST.

## #250 Tab-on flag type



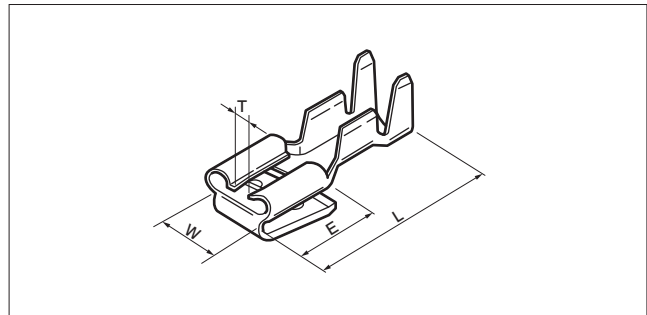
UL LISTED E70188

SF Certified LR20812



Model No.	Standard	Applicable wire range		Material	Surface finish	Dimensions (mm)					Q'ty/reel	
		Conductor size AWG (mm <sup>2</sup> )	Insulation O.D. (mm)			W	L	E	T	Material thickness		Applicable tab thickness
SFO-61-250A	UL LISTED SF	#18 to #14 (0.75 to 2.0)	2.8 to 3.8	Brass	—	8.0	(16.1)	7.8	(3.0)	0.45	0.8	3,000
SFO-61T-250A					Tin-plated							

# TAB-ON TERMINAL

## #250 Tab-on piggyback type



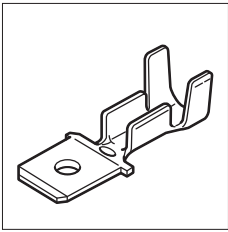
 Listed E70188    
  Certified LR20812

Model No.	Standard	Applicable wire range		Material	Surface finish	Dimensions (mm)						Q'ty/reel
		Conductor size AWG (mm <sup>2</sup> )	Insulation O.D. (mm)			W	L	E	T	Material thickness	Applicable tab thickness	
SFT-61T-250N	 	#18 to #14 (0.75 to 2.0)	2.8 to 3.9	Brass	Tin-plated	7.6	19.6	8.3	(2.9)	0.39	0.8	3,000

## Crimping machine, Applicator

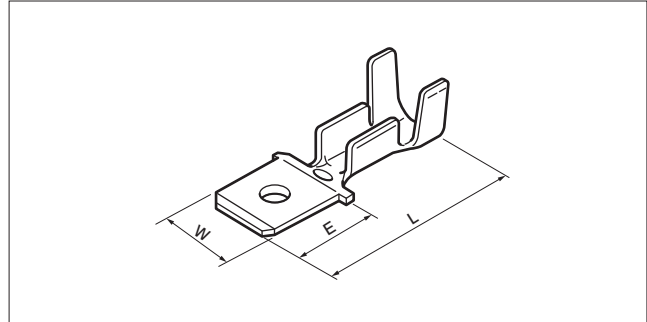
Terminal	Crimping machine	Applicator	Crimp applicator with dies
STO-01 (T)-110N (-8)	AP-K2N	MK-L	APLMK STO01-110N
STO-41 (T)-110N (-8)			APLMK STO41-110N
STO-01 (T)-187N (-8)			APLMK STO01-187N
STO-41 (T)-187N (-8)			APLMK STO41-187N
STO-62T-187N		MK-L-187	APLMK STO62-187N
STO-82T-187N			APLMK STO82-187N
SFO-41 (T)-187N (-8)		MKF-L-187	APL SFO41-187N
STO-21 (T)-205N (-5)		MK-L	APLMK STO21-205N
STO-21 (T)-250N			APLMK STO21-250N
STO-61 (T)-250N			APLMK STO61-250N
STO-81 (T)-250N			APLMK STO81-250N
STO-62T-250N			APLMK STO62-250N
SFO-61 (T)-250A			MKF-L-250
SFT-61T-250N		MKS-L	APLMK SFT61-250N

Note: Contact JST for fully automatic crimping applicator.



# TAB-ON-TAB TERMINAL

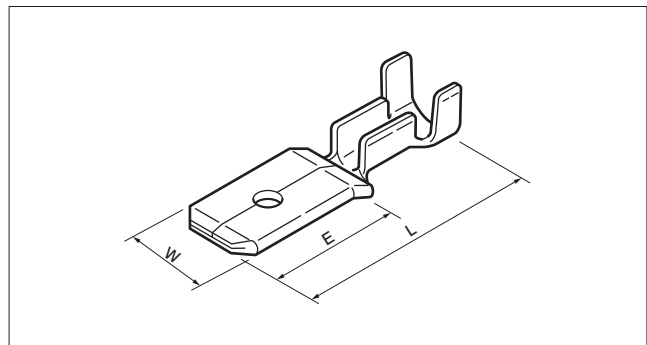
## #187 Tab-on tab type



Listed E70188

Model No.	Standard	Applicable wire range		Material	Surface finish	Dimensions (mm)					Q'ty/ reel
		Conductor size AWG (mm <sup>2</sup> )	Insulation O.D. (mm)			W	L	E	Material thickness	Tab thickness	
SOM-21-187		#22 to #18 (0.3 to 0.75)	2.3 to 3.0	Brass	—	4.8	17.2	6.4	0.5	0.5	10,000
SOM-21T-187					Tin-plated						

## #250 Tab-on tab type



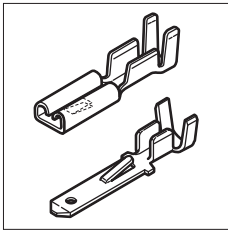
Listed E70188

Model No.	Standard	Applicable wire range		Material	Surface finish	Dimensions (mm)					Q'ty/ reel
		Conductor size AWG (mm <sup>2</sup> )	Insulation O.D. (mm)			W	L	E	Material thickness	Tab thickness	
SOM-51-250		#20 to #14 (0.5 to 2.0)	2.6 to 3.8	Brass	—	6.4	20.8	11.6	0.4	0.8	5,000
SOM-51T-250					Tin-plated						

## Crimping machine, Applicator

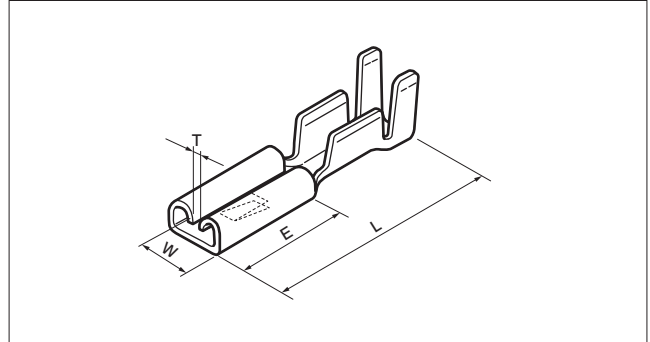
Terminal	Crimping machine	Applicator	Crimp applicator with dies
SOM-21 (T)-187	AP-K2N	MK-L	APLMK SOM21-187
SOM-51 (T)-250			APLMK SOM51-250

Note: Contact JST for fully automatic crimping applicator.



# TAB-IN/TAB-IN-TAB TERMINAL

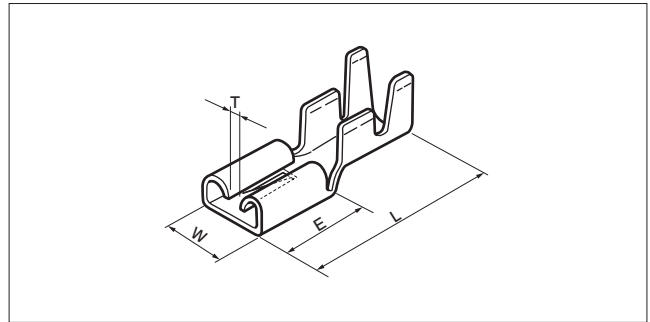
## #110 Tab-in type



Model No.	Standard	Applicable wire range		Material	Surface finish	Dimensions (mm)				Material thickness	Applicable tab thickness	Q'ty/reel
		Conductor size AWG (mm <sup>2</sup> )	Insulation O.D. (mm)			W	L	E	T			
STI-01-110N		#22 to #20 (0.3 to 0.5)	2.1 to 2.8	Brass	—	3.7	15.3	6.3	(0.7)	0.25	SIM-01 (T)-110A	10,000
STI-01T-110N					Tin-plated							
STI-41T-110N		#20 to #16 (0.5 to 1.25)	2.6 to 3.5		Tin-plated							

Note: 1. Combine a plated tab-in terminal with a plated tab and a non-plated tab-in terminal with a non-plated tab.  
 2. This terminal must be built into the model 110 tab-in housing which has numerous circuits, and it cannot be used independently.  
 Model 110 tab-on terminals, however, can be used independently.

## #250 Tab-in type



Model No.	Standard	Applicable wire range		Material	Surface finish	Dimensions (mm)				Material thickness	Applicable tab thickness	Q'ty/reel
		Conductor size AWG (mm <sup>2</sup> )	Insulation O.D. (mm)			W	L	E	T			
STI-51-250N		#20 to #14 (0.5 to 2.0)	2.6 to 3.8	Brass	—	7.5	19.2	7.7	(0.9)	0.32	SIM-51 (T)-250N	5,000
STI-51T-250N					Tin-plated							

Note: 1. Combine a plated tab-in terminal with a plated tab and a non-plated tab-in terminal with a non-plated tab.  
 2. This terminal must be built into the model 250 tab-in housing which has numerous circuits, and it cannot be used independently.  
 Model 250 tab-on terminals, however, can be used independently.  
 3. The above case does not apply when we confirm the condition of application and judge that there is no problem.

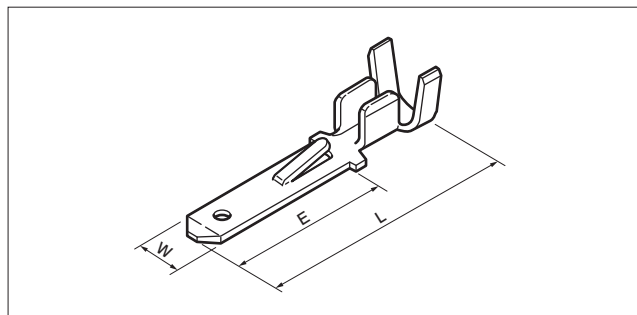
## Crimping machine, Applicator

Terminal	Crimping machine	Applicator	Crimp applicator with dies
STI-01 (T)-110N	AP-K2N	MK-L	APLMK STI01-110N
STI-41T-110N			APLMK STI41-110N
STI-51(T)-250N			APLMK STI51-250N



Note: Contact JST for fully automatic crimping applicator.

# TAB-IN/TAB-IN-TAB TERMINAL

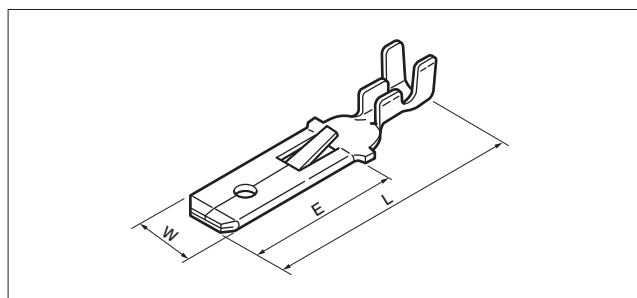
## #110 Tab-in tab type



 Listed E70188

Model No.	Standard	Applicable wire range		Material	Surface finish	Dimensions (mm)					Q'ty/ reel
		Conductor size AWG (mm <sup>2</sup> )	Insulation O.D. (mm)			W	L	E	Material thickness	Tab thickness	
SIM-01-110A		#22 to #20 (0.3 to 0.5)	2.1 to 2.8	Brass	—	2.8	20.6	12.0	0.5	0.5	7,500
SIM-01T-110A					Tin-plated						
SIM-41-110B		#20 to #16 (0.5 to 1.25)	2.6 to 3.5		—						
SIM-41T-110B					Tin-plated						

## #250 Tab-in tab type



Model No.	Standard	Applicable wire range		Material	Surface finish	Dimensions (mm)					Q'ty/ reel
		Conductor size AWG (mm <sup>2</sup> )	Insulation O.D. (mm)			W	L	E	Material thickness	Tab thickness	
SIM-21T-250		#22 to #18 (0.3 to 0.75)	2.2 to 3.2	Brass	Tin-plated	6.0	28.0	15.8	0.4	0.84	5,000
SIM-51-250N		#20 to #14 (0.5 to 2.0)	2.6 to 3.8		—	6.0	24.5	13.0	0.4		4,000
SIM-51T-250N					Tin-plated						3,000
SIM-81PT-250N		#16 to #12 (1.25 to 3.5)	3.0 to 4.0								

Note: SIM-21(T)-250 differs from SIM-51(T)-250N in terminal size.

## Crimping machine, Applicator

Terminal	Crimping machine	Applicator	Crimp applicator with dies
SIM-01(T)-110A	AP-K2N	MK-L	APLMK SIM01-110A
SIM-41(T)-110B			APLMK SIM41-110B
SIM-21T-250			APLMK SIM21-250
SIM-51(T)-250N			APLMK SIM51-250N
SIM-81PT-250N			APLMK SIM81-250N

Note: Contact JST for fully automatic crimping applicator.