



# PS CONNECTOR

## ■ Features

- Secure locking mechanism and Low insertion force
- Stable contacting performance
- Misinsertion (reverse insertion) prevention structure for the contact
- Misinsertion prevention structure for the tab (Short type housing)
- Glow wire compatible products are also available for short type housings

\* Contact JST for the glow wire compatible products.

## ■ Standards

Ⓜ :Recognized E 60389

Ⓢ :Certified LR 20812

Ⓡ :R9850196

## ■ Specifications

- Current rating: 25 A AC/DC (#250 Tab /AWG #10)
- Voltage rating: 250 V AC/DC
- Temperature range: -40°C to +105°C  
(including temperature rise in applying electrical current)
- Contact resistance: Initial value/ 3 mΩ max.  
After environmental tests/ 6 mΩ max.
- Insulation resistance: 1,000 MΩ min.
- Withstanding voltage: 2,000 VAC/minute
- Applicable wire: #110 Series...AWG #24 to #16  
#187 Series...AWG #26 to #14  
#205 Series...AWG #22 to #14  
#250/#250S Series...AWG #22 to #10
- Applicable Tab: #110 Series...0.5 mm thick  
#187 Series...0.5 mm/ 0.8 mm thick  
#205 Series...0.5 mm/ 0.8 mm thick  
#250/#250S Series...0.8 mm thick

\* In using the products, refer to "Handling Precautions for Terminals and Connectors" described on our website (Technical documents of Product information page).

\* RoHS2 compliance

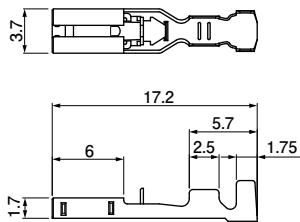
\* Dimensional unit: mm

\* Contact JST for details.

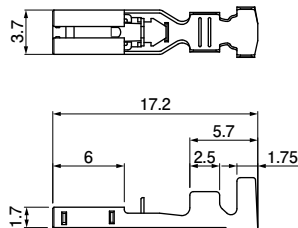
## Contact

### #110 Series

#### SPS-01T-110



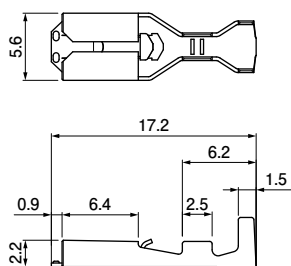
#### SPS-41T-110



### #187 Series

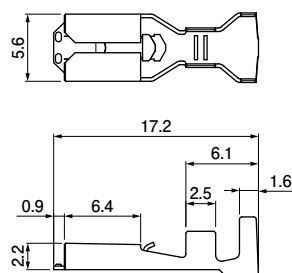
#### SPS-01T-187

(for 0.5 mm thick tabs)



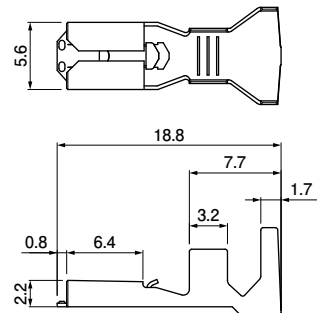
#### SPS-51T-187

(for 0.5 mm thick tabs)



#### SPS-82T-187

(for 0.5 mm thick tabs)



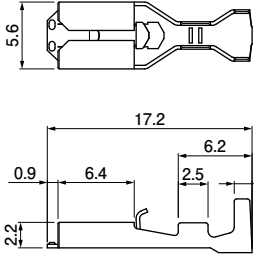
Note: The 187 series has two types of contacts that are applicable to each 0.5 mm and 0.8 mm thick tab.

# PS CONNECTOR

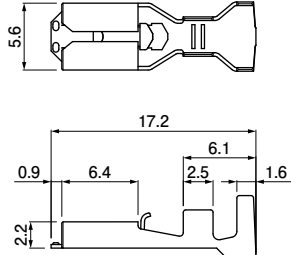
## Contact

### #187 Series

**SPS-01T-187-8**  
(for 0.8 mm thick tabs)

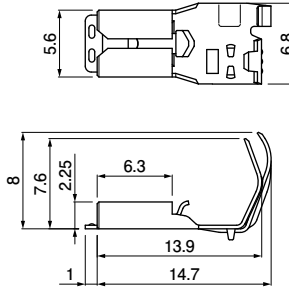


**SPS-51T-187-8**  
(for 0.8 mm thick tabs)

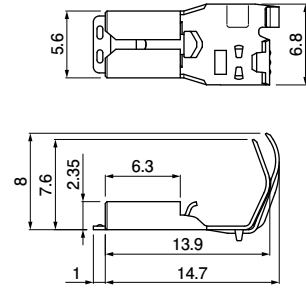


• Flag type

**SFPS-41T-187**  
(for 0.5 mm thick tabs)



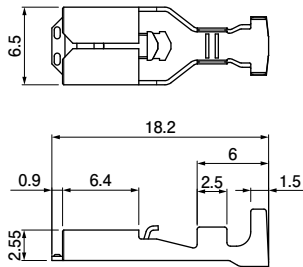
**SFPS-41T-187-8**  
(for 0.8 mm thick tabs)



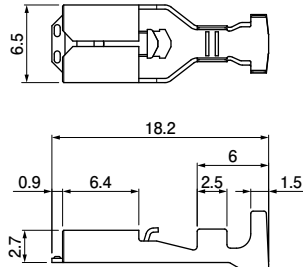
Note: The 187 series has two types of contacts that are applicable to each 0.5 mm and 0.8 mm thick tab.

### #205 Series

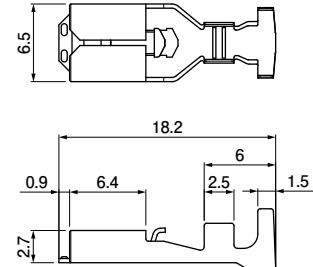
**SPS-21T-205-5**  
(for 0.5 mm thick tabs)



**SPS-21T-205**  
(for 0.8 mm thick tabs)



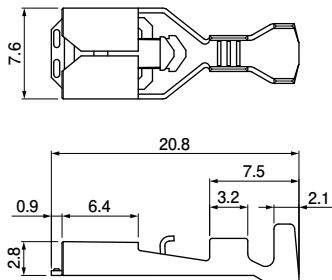
**SPS-51T-205**  
(for 0.8 mm thick tabs)



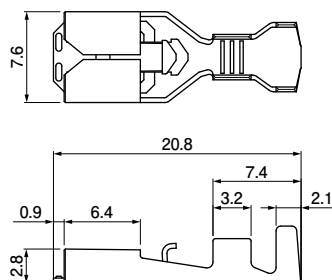
Note: The 205 series has two types of contacts that are applicable to each 0.5 mm and 0.8 mm thick tab.

### #250 Series

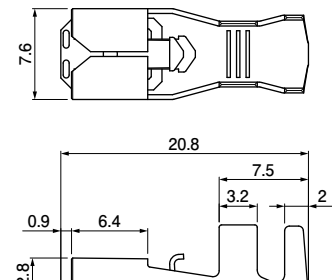
**SPS-21T-250**



**SPS-61T-250**

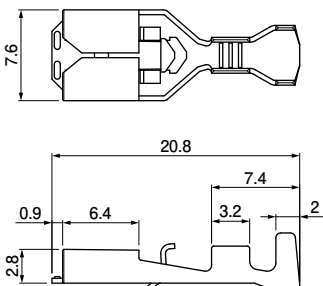


**SPS-91T-250**

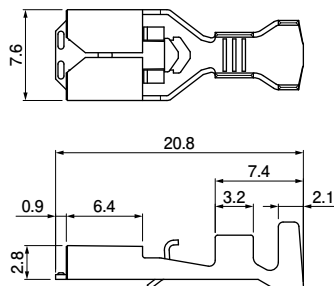


• For short type housing

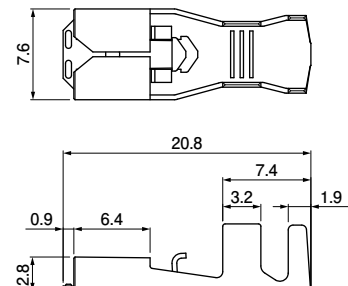
**SPS-21T-250R**



**SPS-61T-250R**



**SPS-91T-250R**

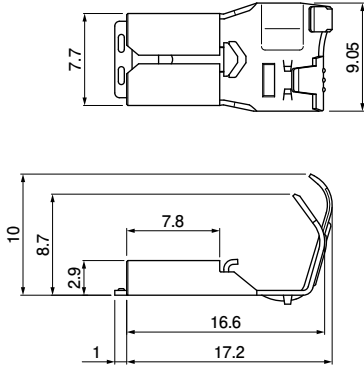


## Contact

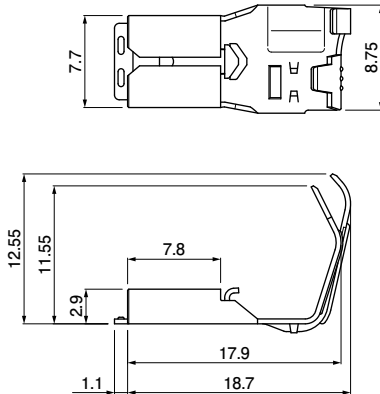
### #250 Series

- Flag type

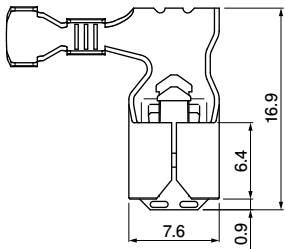
SFPS-61T-250



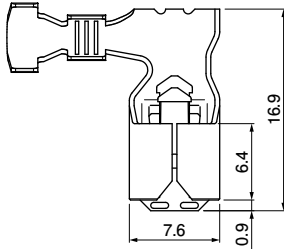
SFPS-91T-250



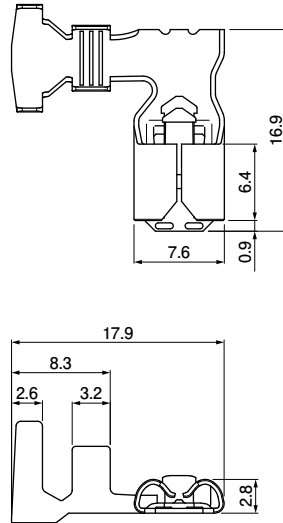
SFPS-21T-250H



SFPS-61T-250H

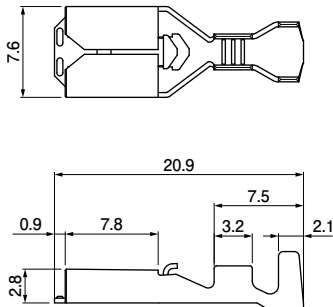


SFPS-91T-250H

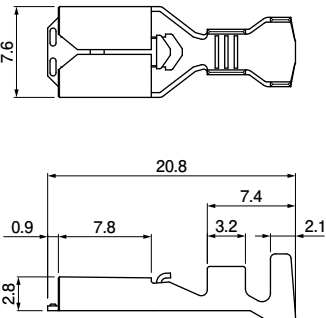


### #250S Series

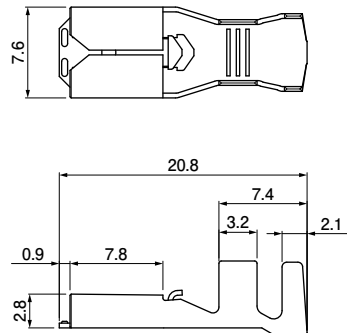
SPS-21T-250S



SPS-61T-250S



SPS-91T-250S



# PS CONNECTOR

## Contact

Series		Model No.	Applicable wire		Insulation O.D. (mm)	Q'ty/reel		
			mm <sup>2</sup>	AWG #				
#110		SPS-01T-110	0.21 to 0.5	24 to 20	1.0 to 2.5	10,000		
		SPS-41T-110	0.5 to 1.31	20 to 16	1.9 to 3.4	10,000		
#187	for 0.5 mm thick tabs		SPS-01T-187	0.13 to 0.5	26 to 20	1.3 to 3.4	10,000	
			SPS-51T-187	0.5 to 2.0	20 to 14	1.9 to 3.6	7,500	
			* SPS-82T-187	0.75+0.75 to 1.25+1.25	18+18 to 16+16	2.1+2.1 to 2.9+2.9	3,500	
	for 0.8 mm thick tabs		SPS-01T-187-8	0.13 to 0.5	26 to 20	1.3 to 3.4	10,000	
			SPS-51T-187-8	0.5 to 2.0	20 to 14	1.9 to 3.6	7,500	
	Flag type	for 0.5 mm thick tabs	SFPS-41T-187	0.3 to 1.25	22 to 16	1.7 to 3.4	5,000	
for 0.8 mm thick tabs		SFPS-41T-187-8	0.3 to 1.31	22 to 16	1.7 to 3.4	5,000		
#205	for 0.5 mm thick tabs		SPS-21T-205-5	0.3 to 0.75	22 to 18	1.5 to 3.1	5,000	
	for 0.8 mm thick tabs		SPS-21T-205	0.3 to 0.75	22 to 18	1.5 to 3.1	5,000	
			SPS-51T-205	0.5 to 2.0	20 to 14	1.9 to 3.6	5,000	
#250	for short type housing		SPS-21T-250	0.3 to 0.75	22 to 18	1.5 to 3.1	5,000	
			SPS-61T-250	0.75 to 2.0	18 to 14	2.1 to 3.9	5,000	
			SPS-91T-250	2.0 to 5.5	14 to 10	3.0 to 4.7	4,000	
			SPS-21T-250R	0.3 to 0.75	22 to 18	1.5 to 3.1	3,500	
			SPS-61T-250R	0.75 to 2.0	18 to 14	2.1 to 3.9	3,500	
			SPS-91T-250R	2.0 to 5.5	14 to 10	3.0 to 4.7	3,500	
	Flag type	H type		SFPS-61T-250	0.75 to 2.0	18 to 14	2.1 to 3.9	3,000
				SFPS-91T-250	3.5 to 5.5	12 to 10	4.0 to 5.2	2,000
				SFPS-21T-250H	0.3 to 0.75	22 to 18	1.5 to 3.1	2,400
		H type		SFPS-61T-250H	0.75 to 2.0	18 to 14	2.1 to 3.9	2,000
				SFPS-91T-250H	2.0 to 5.5	14 to 10	3.5 to 7.2	1,300
					1.25+1.25 to 2.0+2.0	16+16 to 14+14	1.75+1.75 to 3.6+3.6	
#250S			SPS-21T-250S	0.3 to 0.75	22 to 18	1.5 to 3.1	5,000	
			SPS-61T-250S	0.75 to 2.0	18 to 14	2.1 to 3.9	5,000	
			SPS-91T-250S	2.0 to 5.5	14 to 10	3.0 to 4.7	4,000	

### Material and Finish

Brass, tin-plated

RoHS2 compliance

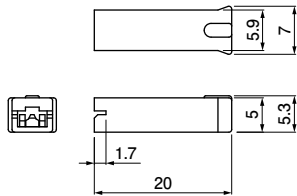
Note: \*Marked product is unlisted in CSA/TÜV.

Contact	Crimping machine	Applicator		
		Crimp applicator	Dies	Crimp applicator with dies
SPS-01T-110	AP-K2N	MK-L-SPS	MK/SPS-01-110	APLMK SPS01-110
SPS-41T-110			MK/SPS-41-110	APLMK SPS41-110
SPS-01T-187 (-8)			MK/SPS-01-187	APLMK SPS01-187
SPS-51T-187 (-8)			MK/SPS-51-187	APLMK SPS51-187
SPS-82T-187			MK/SPS-82-187	APLMK SPS82-187
SFPS-41T-187 (-8)			MK/SFPS-41-187	APL SFPS41-187
SPS-21T-205 (-5)		MK-L-PS187	MK/SPS-21-205	APLMK SPS21-205
SPS-51T-205			MK/SPS-51-205	APLMK SPS51-205
SPS-21T-250 (S)			MK/SPS-21-250	APLMK SPS21-250
SPS-21T-250R			MK/SPS-21-250R	APLMK SPS21-250R
SPS-61T-250 (S)			MK/SPS-61-250	APLMK SPS61-250
SPS-61T-250R			MK/SPS-61-250R	APLMK SPS61-250R
SPS-91T-250 (S)		MK-L-PS250	MK/SPS-91-250	APLMK SPS91-250
SPS-91T-250R			MK/SPS-91-250R	APLMK SPS91-250R
SFPS-61T-250			MK/SFPS-61-250	APL SFPS61-250
SFPS-91T-250			MK/SFPS-91-250	APL SFPS91-250
SFPS-21T-250H			MK/SFPS-21-250H	APLMK SFPS21-250H
SFPS-61T-250H			MK/SFPS-61-250H	APLMK SFPS61-250H
SFPS-91T-250H		MKS-L-RASRSF	MK/SFPS-91-250H	APLMK SFPS91-250H

Note: Contact JST for fully automatic crimping applicator.

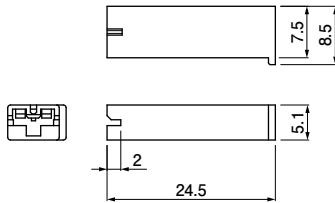
## Housing

### #110 Series PS-110

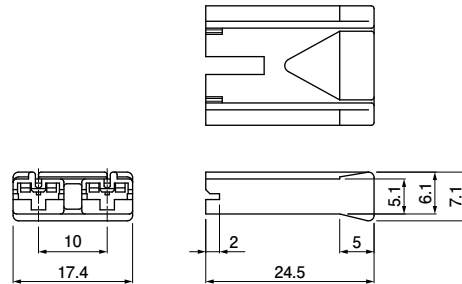


### #187 Series • for 0.5 mm thick tabs

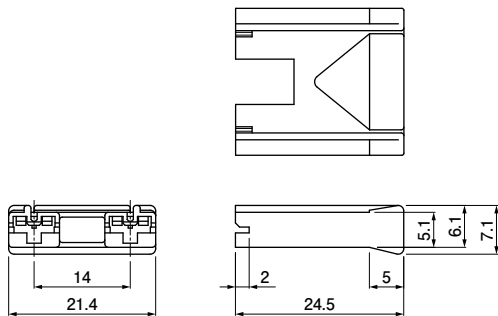
#### PS-187



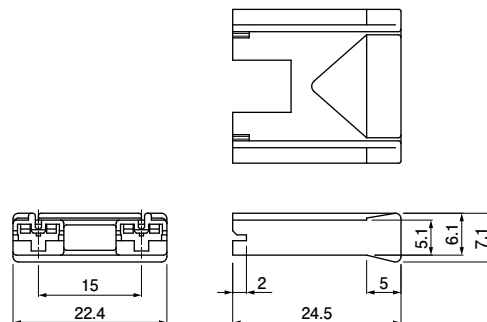
#### PS-187-2A-10



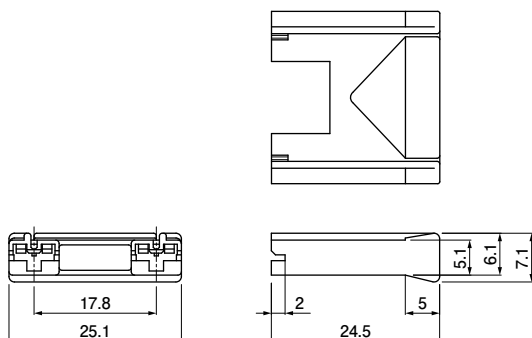
#### PS-187-2A-14



#### PS-187-2A-15



#### PS-187-2A-17.8



Note: The 187 series has two types of housings that are applicable to each 0.5 mm and 0.8 mm thick tab.

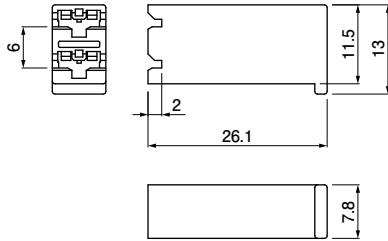
# PS CONNECTOR

## Housing

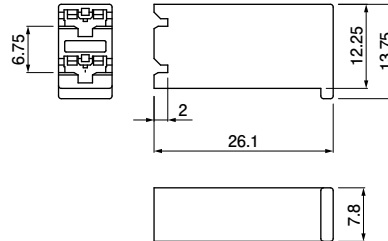
### #187 Series

- for 0.5 mm thick tabs

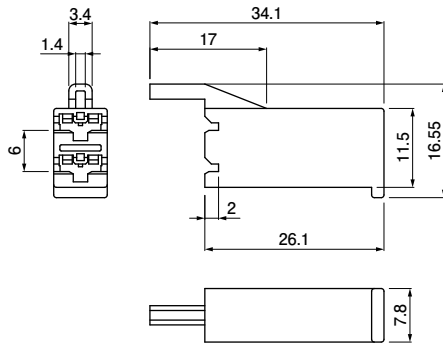
PS-187-2B



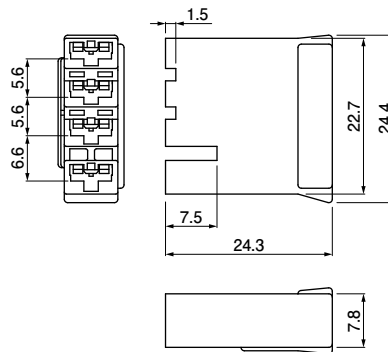
PS-187-2B-6.75



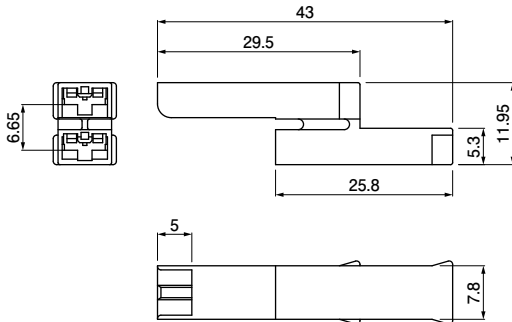
PS-187-2B1



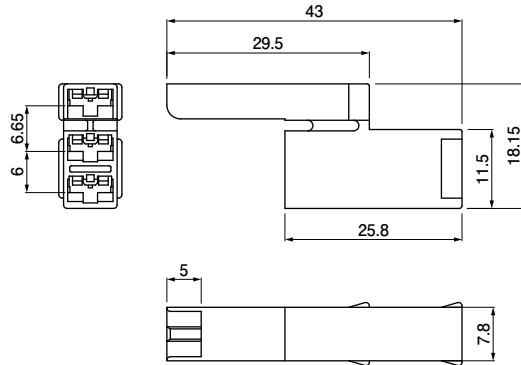
PS-187-4B



PS-187-2V

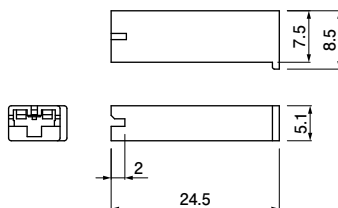


PS-187-3V

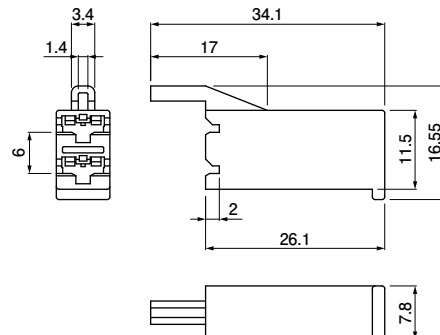


- for 0.8 mm thick tabs

PS-187-8-H



PS-187-2B1-8-H

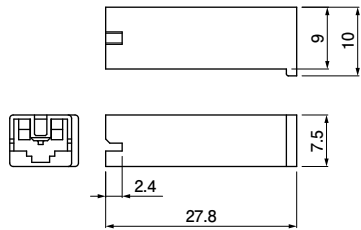


Note: The 187 series has two types of housings that are applicable to each 0.5 mm and 0.8 mm thick tab.

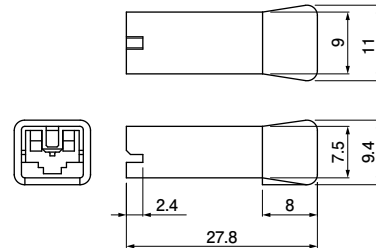
## Housing

### #250 Series

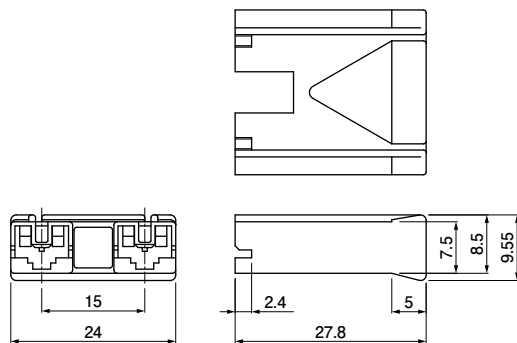
#### PS-250



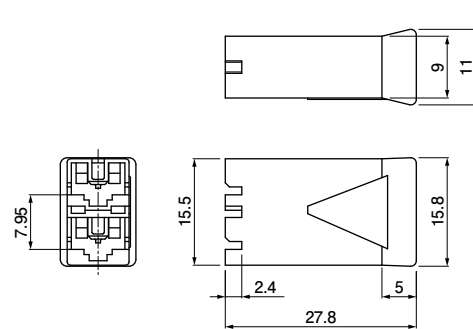
#### PS-250-A



#### PS-250-2A-15

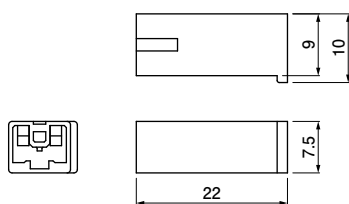


#### PS-250-2B

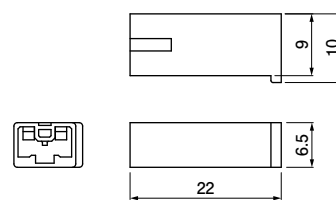


#### • Short type

- PS-250-G
- PS-250-G-WGJ2  
(Glow wire compatible products)

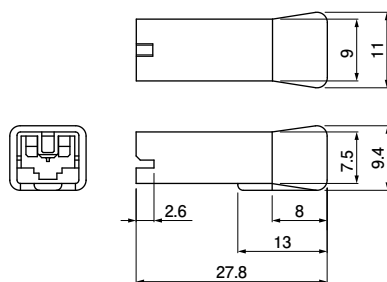


#### PS-250-GL (Thin type)



### #250S Series

#### NPS-250-A

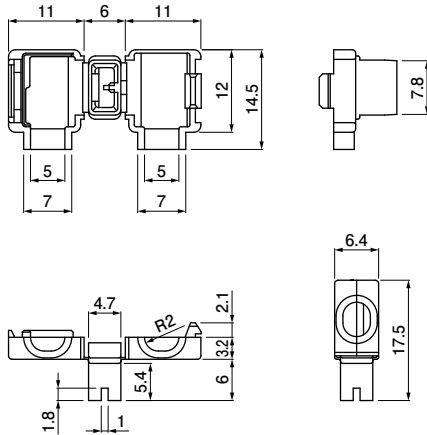


# PS CONNECTOR

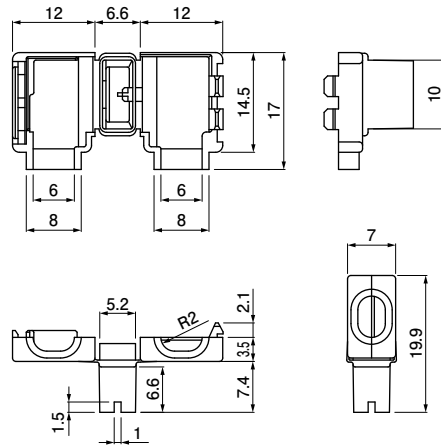
## Housing

### One-touch sleeve

FPS-187



FPS-250



Series	Model No.	Q'ty/bag	Applicable contact	
#110	PS-110	1,000	SPS-01T-110 SPS-41T-110	
#187	for 0.5 mm thick tabs		SPS-01T-187 SPS-51T-187 SPS-82T-187	
	PS-187	1,000		
	PS-187-2A-10	500		
	PS-187-2A-14	500		
	PS-187-2A-15	500		
	PS-187-2A-17.8	500		
	PS-187-2B	500		
	PS-187-2B-6.75	500		
	PS-187-2B1	500		
	PS-187-4B	500		
	PS-187-2V	500		
	PS-187-3V	500		
for 0.8 mm thick tabs			SPS-01T-187-8 SPS-51T-187-8	
PS-187-8-H (Note1)	1,000			
PS-187-2B1-8-H (Note1)	500			
#250	PS-250	1,000	SPS-21T-250	
	PS-250-A	500	SPS-61T-250	
	PS-250-2A-15	500	SPS-91T-250	
	PS-250-2B	500		
	Short type	PS-250-G	1,400	SPS-21T-250R
		PS-250-G-WGJ2 (Compatible with glow wire) (Note2)	1,400	SPS-61T-250R
		PS-250-GL (Thin type)	1,400	SPS-91T-250R
#250S	NPS-250-A	1,000	SPS-21T-250S SPS-61T-250S SPS-91T-250S	
One-touch sleeve	* FPS-187	500	SFPS-41T-187	
	* FPS-250	500	SFPS-61T-250	

#### Material and Finish

PA 66, UL94V-0, natural (white)  
 (Note1) PA 66, UL94V-0, gray  
 (Note2) PA 6, UL94V-2, natural (white)

RoHS2 compliance

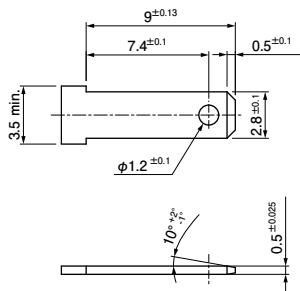
Note: \*Marked products are unlisted in UL/CSA/TÜV.



## Tab

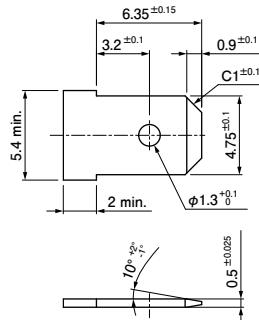
### #110

0.5 mm thick tabs

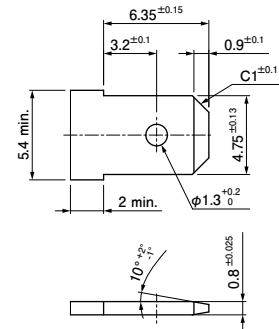


### #187

0.5 mm thick tabs

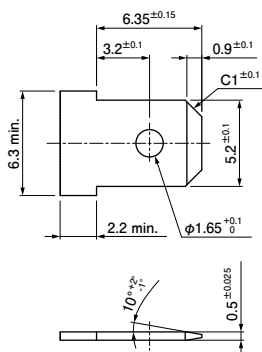


0.8 mm thick tabs

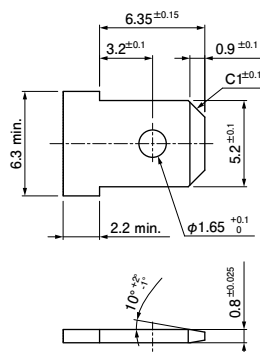


### #205

0.5 mm thick tabs

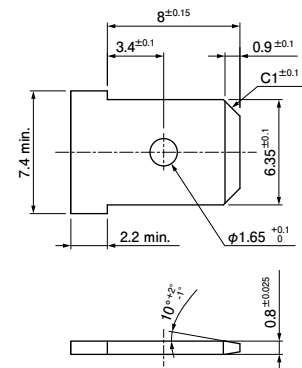


0.8 mm thick tabs



### #250

0.8 mm thick tabs



- Note: 1. Use the brass materials for the tabs.  
 2. No ribs or slits shall be provided on the tab surface.  
 3. Contact JST when using the PS connector for Micro-switch.  
 4. Contact JST when using PS-187-4B.