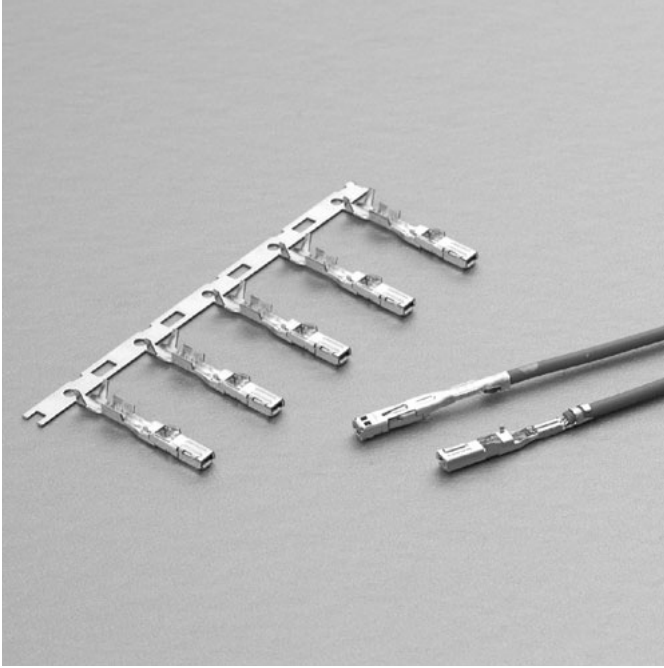


# 1.5 FEMALE TERMINAL



## Features

### ●Female Terminal for Power Circuit

Magnifying the contact area with male terminal enable to use female terminal to power circuits.

### ●Compact Design

This terminal can be used for small type of housing:  
3.2mm(H) X 3.2mm(W) pitch.

### ●Heat-resisting

Heat-resistance material is used in this terminal.

### ●Terminal Construction

It is designed to prevent the deformation of the contact part when processing wire harness by protecting the contact part of each terminal with one piece box.

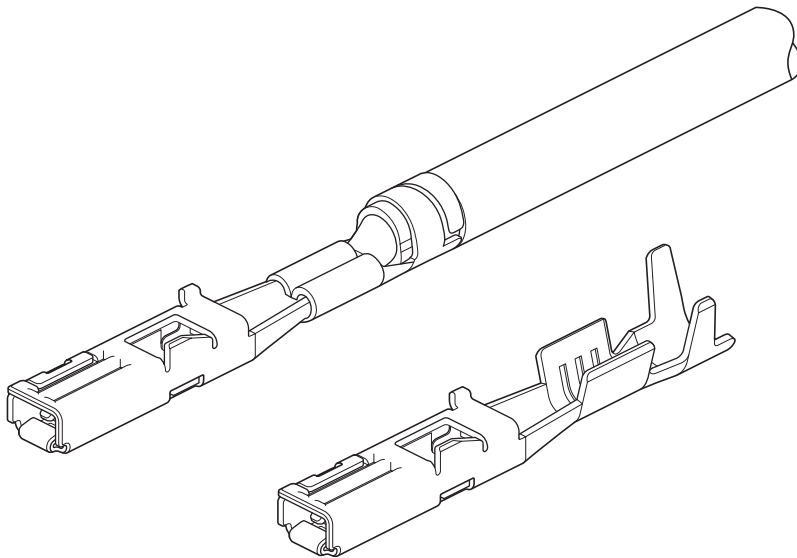
### ●Small Diameter Electric Wire

This terminal supports a electric wire of small diameter.

This is a power terminal for unsealed connector.

This terminal supports a housing of the 3.2mm(H) X 3.2mm(W) pitch.

This terminal supports a halogen-free electric wire of small diameter.



## Specifications

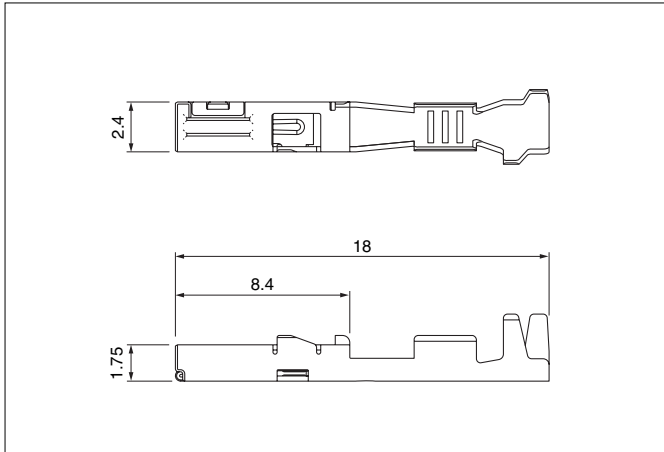
- Unsealed
- Applicable tab: w=1.5mm(060), t=0.64mm
- Applicable wire: 0.22 to 2.0mm<sup>2</sup>

\* Compliant with ELV/RoHS.

\* Contact JST for details.

# 1.5 FEMALE TERMINAL

## Female terminal



| Size | Model No.              | Applicable wire range        |                      | Q'ty/reel |
|------|------------------------|------------------------------|----------------------|-----------|
|      |                        | Conductor (mm <sup>2</sup> ) | Insulation O.D. (mm) |           |
| SS   | <b>SNAC-A011T-M1.5</b> | 0.22 to 0.35                 | 0.95 to 1.20         | 6,000     |
| S    | <b>SNAC-A021T-M1.5</b> | 0.3 to 0.5                   | 1.40 to 1.70         | 5,000     |
| M    | <b>SNAC-A041T-M1.5</b> | 0.75 to 1.25                 | 1.80 to 2.20         | 4,000     |
| L    | <b>SNAC-A071T-M1.5</b> | 1.5 to 2.0                   | 2.60 to 2.70         | 3,000     |

### Material and Finish

Copper alloy, tin-plated (reflow-treatment)

## Crimping machine, Applicator

| Strip terminal         | Crimping machine | Crimp applicator MKS-L |                            |
|------------------------|------------------|------------------------|----------------------------|
|                        |                  | Dies                   | Crimp applicator with dies |
| <b>SNAC-A011T-M1.5</b> | AP-K2N           | MK/SNAC-A011-15        | APLMK SNAC-A011-15         |
| <b>SNAC-A021T-M1.5</b> |                  | MK/SNAC-A021-15        | APLMK SNAC-A021-15         |
| <b>SNAC-A041T-M1.5</b> |                  | MK/SNAC-A041-15        | APLMK SNAC-A041-15         |
| <b>SNAC-A071T-M1.5</b> |                  | MK/SNAC-A071-15        | APLMK SNAC-A071-15         |

Note: When crimping operation is conducted using an applicator and die set other than the above, JST cannot guarantee the performance of the terminal.