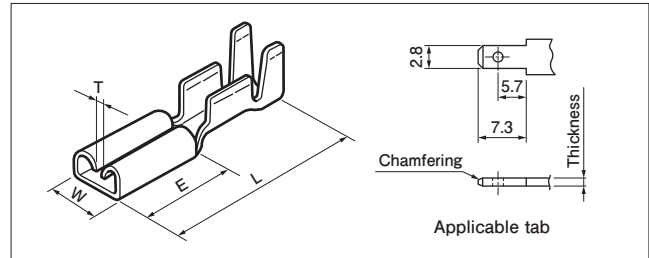


TAB-ON TERMINAL

- * In using the products, refer to "Handling Precautions for Terminals and Connectors" described on our website (Technical documents of Product information page).
- * RoHS2 compliance
- * Dimensional unit: mm
- * Contact JST for details.

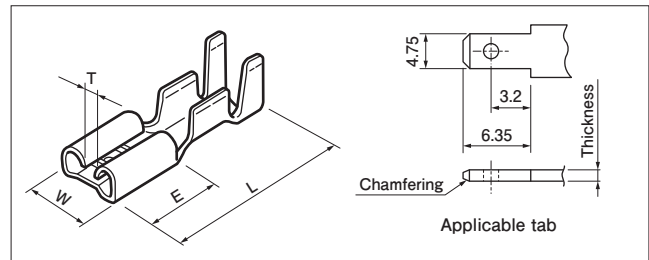
#110 Tab-on type



Listed E70188 (Except when AWG #24 is applied)
 Recognized E70188 (AWG #24)
 Certified LR20812

Model No.	Standard	Applicable wire range		Material	Surface finish	Dimensions (mm)				Material thickness	Applicable tab thickness	Q'ty/reel
		Conductor size AWG (mm ²)	Insulation O.D. (mm)			W	L	E	T			
STO-01-110N		#24 to #20 (0.2 to 0.5)	2.1 to 2.8	Brass	—	3.7	15.4	6.3	(0.6)	0.25	0.5	10,000
STO-01T-110N					Tin-plated						0.8	
STO-01-110N-8					—						0.5	
STO-01T-110N-8					Tin-plated						0.8	
STO-41-110N		#20 to #16 (0.5 to 1.25)	2.6 to 3.5	Brass	—	3.7	15.4	6.3	(0.6)	0.25	0.5	10,000
STO-41T-110N					Tin-plated						0.8	
STO-41T-110N-8					Tin-plated						0.8	

#187 Tab-on type



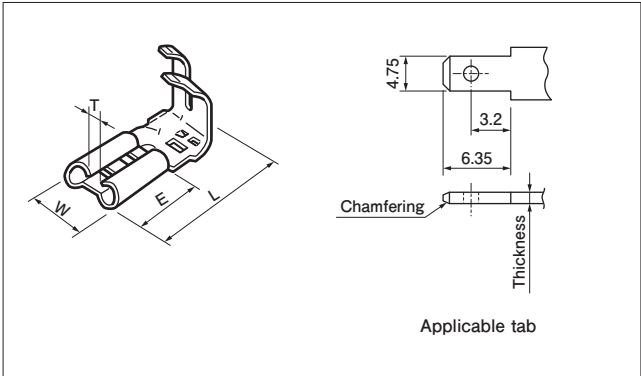
Listed E70188 (Except when AWG #24 is applied)
 Certified LR20812

Model No.	Standard	Applicable wire range		Material	Surface finish	Dimensions (mm)				Material thickness	Applicable tab thickness	Q'ty/reel
		Conductor size AWG (mm ²)	Insulation O.D. (mm)			W	L	E	T			
STO-01-187N		#24 to #20 (0.2 to 0.5)	1.5 to 2.6	Brass	—	5.6	15.0	6.3	(1.5)	0.32	0.5	10,000
STO-01T-187N					Tin-plated						0.8	
STO-01-187N-8					—						0.5	
STO-01T-187N-8					Tin-plated						0.8	
STO-41-187N		#20 to #16 (0.5 to 1.25)	2.6 to 3.5	Brass	—	5.6	15.0	6.3	(1.5)	0.32	0.5	10,000
STO-41T-187N					Tin-plated						0.8	
STO-41-187N-8					—						0.5	
STO-41T-187N-8					Tin-plated						0.8	
* STO-62T-187N		UL1015 #20 + UL1015 #20 UL1015 #20 + UL1015 #18 UL1015 #18 + UL1015 #18	2.6 to 3.5	Brass	Tin-plated	5.6	19.6	6.4	(1.5)	0.32	0.5	4,000
* STO-82T-187N		UL1015 #18 + UL1015 #18 UL1015 #18 + UL1015 #16 UL1015 #16 + UL1015 #16	2.6 to 3.5	Brass	Tin-plated	5.6	19.6	6.4	(1.5)	0.32	0.5	4,000

Note: Terminal denoted by * is used only for two wires. If using wires in other combinations than the ones shown above, contact JST.

TAB-ON TERMINAL

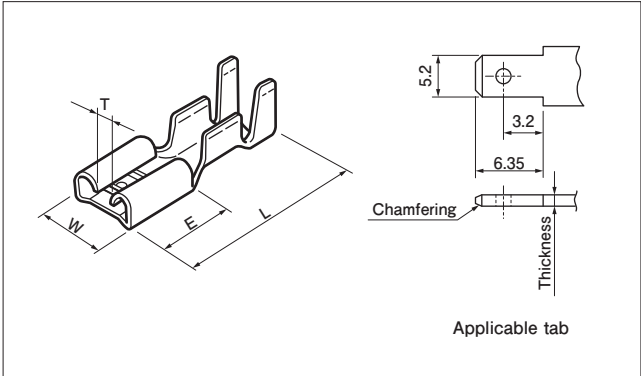
#187 Tab-on flag type



UL LISTED E70188 SF Certified LR20812

Model No.	Standard	Applicable wire range		Material	Surface finish	Dimensions (mm)					Q'ty/reel	
		Conductor size AWG (mm ²)	Insulation O.D. (mm)			W	L	E	T	Material thickness		Applicable tab thickness
SFO-41-187N	UL LISTED SF	#20 to #16 (0.5 to 1.25)	2.6 to 3.5	Brass	—	5.6	12.3	6.4	(1.0)	0.32	0.5	5,000
SFO-41T-187N					Tin-plated						0.8	
SFO-41-187N-8					—							
SFO-41T-187N-8					Tin-plated							

#205 Tab-on type

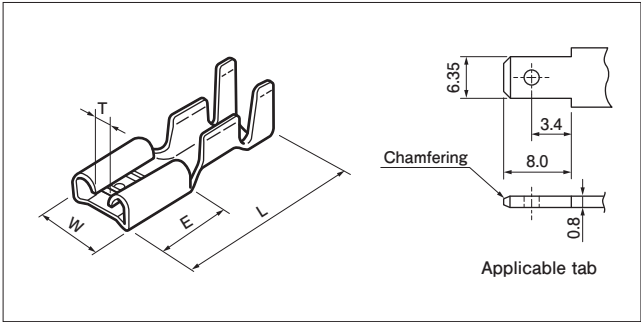


UL LISTED E70188 SF Certified LR20812

Model No.	Standard	Applicable wire range		Material	Surface finish	Dimensions (mm)					Q'ty/reel	
		Conductor size AWG (mm ²)	Insulation O.D. (mm)			W	L	E	T	Material thickness		Applicable tab thickness
STO-21-205N-5	UL LISTED SF	#22 to #18 (0.3 to 0.75)	2.3 to 3.0	Brass	—	6.4	15.9	6.4	(0.7)	0.4	0.5	7,500
STO-21T-205N-5					Tin-plated						0.8	
STO-21T-205N					Tin-plated							

TAB-ON TERMINAL

#250 Tab-on type

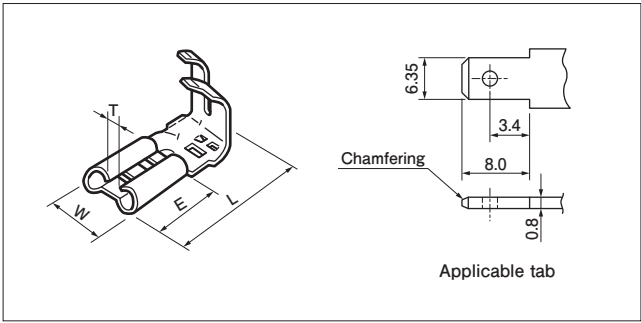


UL LISTED E70188 SFB Certified LR20812

Model No.	Standard	Applicable wire range		Material	Surface finish	Dimensions (mm)					Q'ty/reel	
		Conductor size AWG (mm ²)	Insulation O.D. (mm)			W	L	E	T	Material thickness		Applicable tab thickness
STO-21-250N	UL LISTED SFB	#22 to #18 (0.3 to 0.75)	2.3 to 3.0	Brass	—	7.7	19.0	7.8	(2.4)	0.4	0.8	5,000
STO-21T-250N					Tin-plated							
STO-61-250N	UL LISTED SFB	#18 to #14 (0.75 to 2.0)	2.8 to 3.8		—	7.6	19.6	8.0	(1.6)	0.45		
STO-61T-250N					Tin-plated							
STO-81-250N	UL LISTED SFB	#14 to #12 (2.0 to 3.5)	3.8 to 5.0		—	7.6	19.0	8.0	(1.6)	0.45		
STO-81T-250N					Tin-plated							
*STO-62T-250N		UL1015 #20 + UL1015 #20 UL1015 #20 + UL1015 #18 UL1015 #18 + UL1015 #18									5,000	

Note: Terminal denoted by * is used only for two wires. If using wires in other combinations than the ones shown above, contact JST.

#250 Tab-on flag type

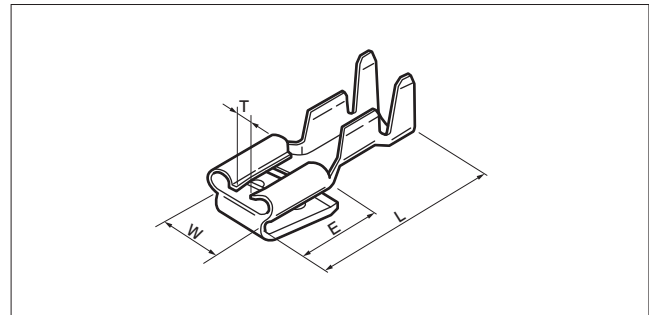


UL LISTED E70188 SFB Certified LR20812



Model No.	Standard	Applicable wire range		Material	Surface finish	Dimensions (mm)					Q'ty/reel	
		Conductor size AWG (mm ²)	Insulation O.D. (mm)			W	L	E	T	Material thickness		Applicable tab thickness
SFO-61-250A	UL LISTED SFB	#18 to #14 (0.75 to 2.0)	2.8 to 3.8	Brass	—	8.0	(16.1)	7.8	(3.0)	0.45	0.8	3,000
SFO-61T-250A					Tin-plated							

TAB-ON TERMINAL

#250 Tab-on piggyback type



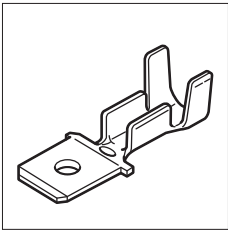
 Listed E70188
  Certified LR20812

Model No.	Standard	Applicable wire range		Material	Surface finish	Dimensions (mm)						Q'ty/reel
		Conductor size AWG (mm ²)	Insulation O.D. (mm)			W	L	E	T	Material thickness	Applicable tab thickness	
SFT-61T-250N	 	#18 to #14 (0.75 to 2.0)	2.8 to 3.9	Brass	Tin-plated	7.6	19.6	8.3	(2.9)	0.39	0.8	3,000

Crimping machine, Applicator

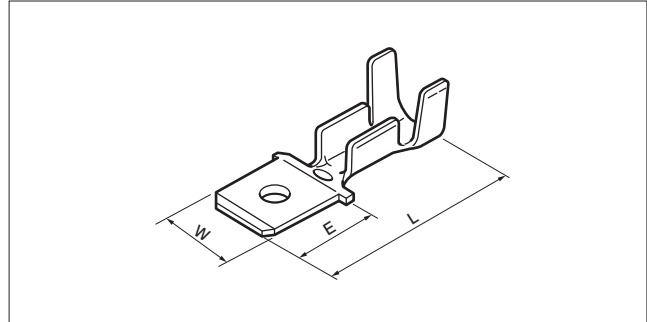
Terminal	Crimping machine	Applicator	Crimp applicator with dies
STO-01 (T)-110N (-8)	AP-K2N	MK-L	APLMK STO01-110N
STO-41 (T)-110N (-8)			APLMK STO41-110N
STO-01 (T)-187N (-8)			APLMK STO01-187N
STO-41 (T)-187N (-8)			APLMK STO41-187N
STO-62T-187N		MK-L-187	APLMK STO62-187N
STO-82T-187N			APLMK STO82-187N
SFO-41 (T)-187N (-8)		MKF-L-187	APL SFO41-187N
STO-21 (T)-205N (-5)		MK-L	APLMK STO21-205N
STO-21 (T)-250N			APLMK STO21-250N
STO-61 (T)-250N			APLMK STO61-250N
STO-81 (T)-250N			APLMK STO81-250N
STO-62T-250N			APLMK STO62-250N
SFO-61 (T)-250A			MKF-L-250
SFT-61T-250N		MKS-L	APLMK SFT61-250N

Note: Contact JST for fully automatic crimping applicator.



TAB-ON-TAB TERMINAL

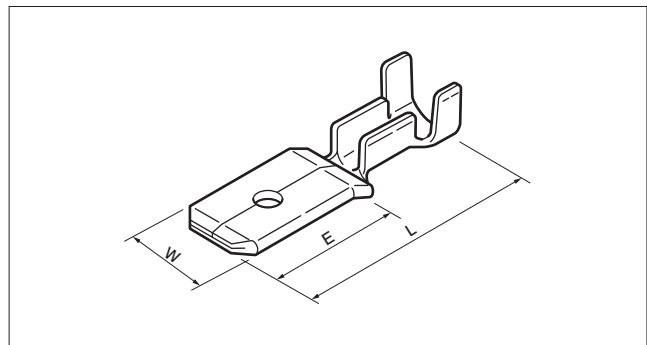
#187 Tab-on tab type



Listed E70188

Model No.	Standard	Applicable wire range		Material	Surface finish	Dimensions (mm)					Q'ty/ reel
		Conductor size AWG (mm ²)	Insulation O.D. (mm)			W	L	E	Material thickness	Tab thickness	
SOM-21-187		#22 to #18 (0.3 to 0.75)	2.3 to 3.0	Brass	—	4.8	17.2	6.4	0.5	0.5	10,000
SOM-21T-187					Tin-plated						

#250 Tab-on tab type



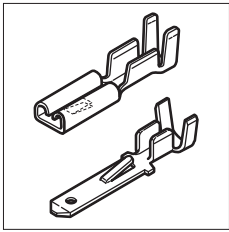
Listed E70188

Model No.	Standard	Applicable wire range		Material	Surface finish	Dimensions (mm)					Q'ty/ reel
		Conductor size AWG (mm ²)	Insulation O.D. (mm)			W	L	E	Material thickness	Tab thickness	
SOM-51-250		#20 to #14 (0.5 to 2.0)	2.6 to 3.8	Brass	—	6.4	20.8	11.6	0.4	0.8	5,000
SOM-51T-250					Tin-plated						

Crimping machine, Applicator

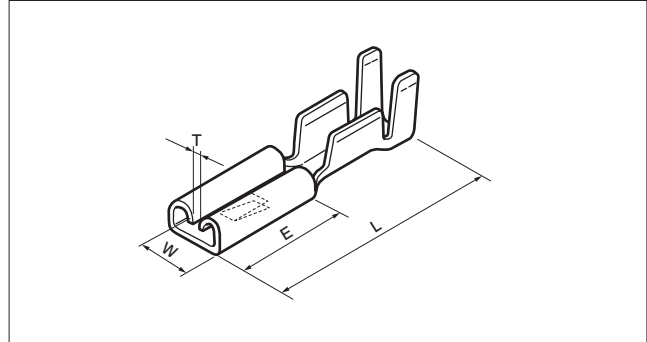
Terminal	Crimping machine	Applicator	Crimp applicator with dies
SOM-21 (T)-187	AP-K2N	MK-L	APLMK SOM21-187
SOM-51 (T)-250			APLMK SOM51-250

Note: Contact JST for fully automatic crimping applicator.



TAB-IN/TAB-IN-TAB TERMINAL

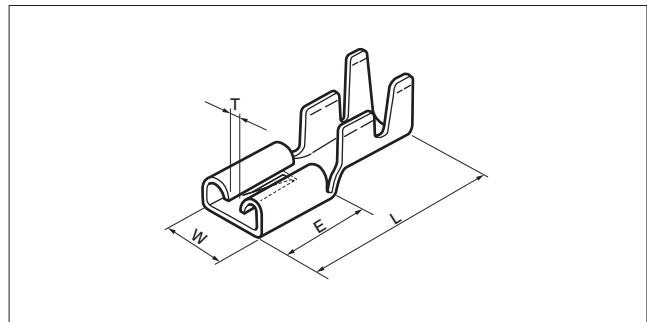
#110 Tab-in type



Model No.	Standard	Applicable wire range		Material	Surface finish	Dimensions (mm)				Material thickness	Applicable tab thickness	Q'ty/reel
		Conductor size AWG (mm ²)	Insulation O.D. (mm)			W	L	E	T			
STI-01-110N		#22 to #20 (0.3 to 0.5)	2.1 to 2.8	Brass	—	3.7	15.3	6.3	(0.7)	0.25	SIM-01 (T)-110A	10,000
STI-01T-110N					Tin-plated							
STI-41T-110N		#20 to #16 (0.5 to 1.25)	2.6 to 3.5		Tin-plated							

Note: 1. Combine a plated tab-in terminal with a plated tab and a non-plated tab-in terminal with a non-plated tab.
 2. This terminal must be built into the model 110 tab-in housing which has numerous circuits, and it cannot be used independently.
 Model 110 tab-on terminals, however, can be used independently.

#250 Tab-in type



Model No.	Standard	Applicable wire range		Material	Surface finish	Dimensions (mm)				Material thickness	Applicable tab thickness	Q'ty/reel
		Conductor size AWG (mm ²)	Insulation O.D. (mm)			W	L	E	T			
STI-51-250N		#20 to #14 (0.5 to 2.0)	2.6 to 3.8	Brass	—	7.5	19.2	7.7	(0.9)	0.32	SIM-51 (T)-250N	5,000
STI-51T-250N					Tin-plated							

Note: 1. Combine a plated tab-in terminal with a plated tab and a non-plated tab-in terminal with a non-plated tab.
 2. This terminal must be built into the model 250 tab-in housing which has numerous circuits, and it cannot be used independently.
 Model 250 tab-on terminals, however, can be used independently.
 3. The above case does not apply when we confirm the condition of application and judge that there is no problem.

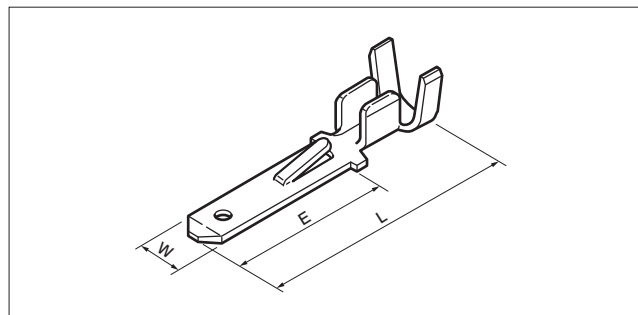
Crimping machine, Applicator

Terminal	Crimping machine	Applicator	Crimp applicator with dies
STI-01 (T)-110N	AP-K2N	MK-L	APLMK STI01-110N
STI-41T-110N			APLMK STI41-110N
STI-51(T)-250N			APLMK STI51-250N



Note: Contact JST for fully automatic crimping applicator.

TAB-IN/TAB-IN-TAB TERMINAL

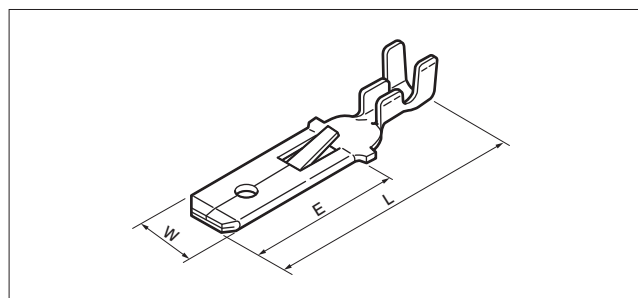
#110 Tab-in tab type



 Listed E70188

Model No.	Standard	Applicable wire range		Material	Surface finish	Dimensions (mm)					Q'ty/ reel
		Conductor size AWG (mm ²)	Insulation O.D. (mm)			W	L	E	Material thickness	Tab thickness	
SIM-01-110A		#22 to #20 (0.3 to 0.5)	2.1 to 2.8	Brass	—	2.8	20.6	12.0	0.5	0.5	7,500
SIM-01T-110A					Tin-plated						
SIM-41-110B		#20 to #16 (0.5 to 1.25)	2.6 to 3.5		—						
SIM-41T-110B					Tin-plated						

#250 Tab-in tab type



Model No.	Standard	Applicable wire range		Material	Surface finish	Dimensions (mm)					Q'ty/ reel
		Conductor size AWG (mm ²)	Insulation O.D. (mm)			W	L	E	Material thickness	Tab thickness	
SIM-21T-250		#22 to #18 (0.3 to 0.75)	2.2 to 3.2	Brass	Tin-plated	6.0	28.0	15.8	0.4	0.84	5,000
SIM-51-250N		#20 to #14 (0.5 to 2.0)	2.6 to 3.8		—	6.0	24.5	13.0	0.4		4,000
SIM-51T-250N					Tin-plated						3,000
SIM-81PT-250N		#16 to #12 (1.25 to 3.5)	3.0 to 4.0								

Note: SIM-21(T)-250 differs from SIM-51(T)-250N in terminal size.

Crimping machine, Applicator

Terminal	Crimping machine	Applicator	Crimp applicator with dies
SIM-01(T)-110A	AP-K2N	MK-L	APLMK SIM01-110A
SIM-41(T)-110B			APLMK SIM41-110B
SIM-21T-250			APLMK SIM21-250
SIM-51(T)-250N			APLMK SIM51-250N
SIM-81PT-250N			APLMK SIM81-250N

Note: Contact JST for fully automatic crimping applicator.