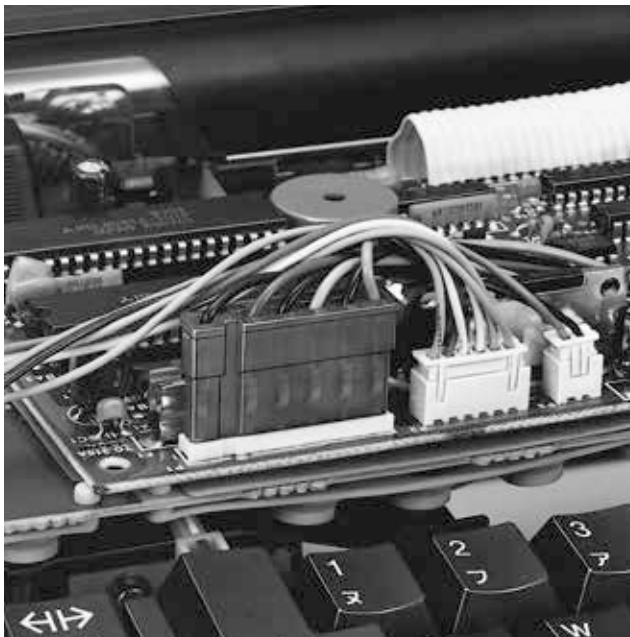
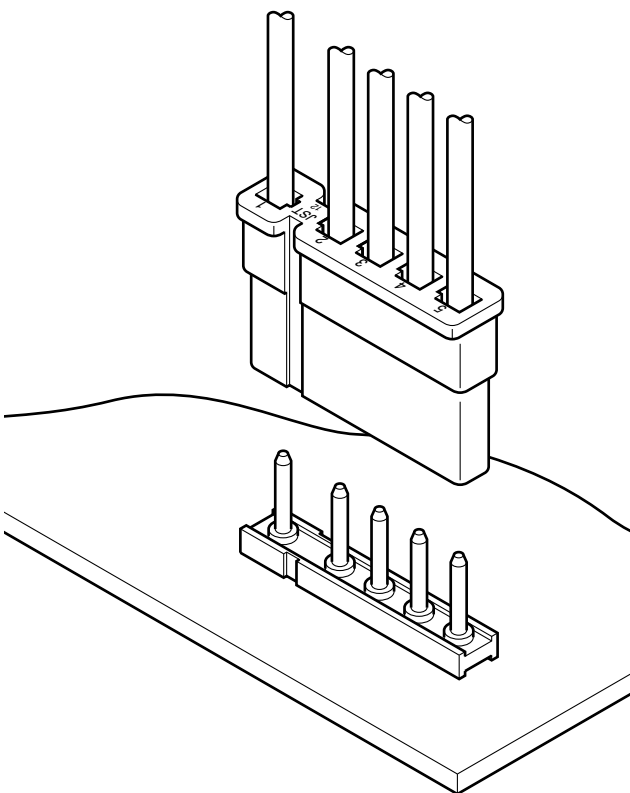


V CONNECTOR

Disconnectable Crimp style connectors



The V connector can have from two to six circuits. A single contact position is provided 7.5 mm away from the adjacent position, while the pitch of other positions is 5.0 mm. This prevents reverse connection of the receptacle and header.



Features

• Anti-misinsertion construction

One position has a different pitch than the others. This provides the connector with polarization and prevents misinsertion.

• Two-point contact

Each contact has two wiping areas which ensure stable and reliable connection.

Specifications

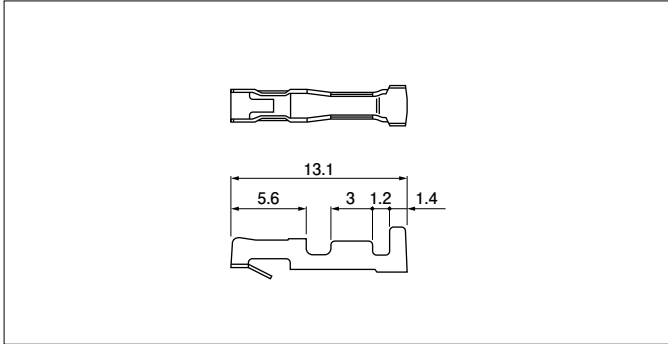
- Current rating: 5 A AC, DC (AWG #20)
- Voltage rating: 250 V AC, DC
- Temperature range: -25°C to +85°C
(including temperature rise in applying electrical current)
- Contact resistance: Initial value/ 10 mΩ max.
After environmental testing/ 20 mΩ max.
- Insulation resistance: 1,000 MΩ min.
- Withstanding voltage: 1,500 VAC/minute
- Applicable wire: AWG #26 to #20
- Applicable PC board thickness: 1.6 mm
- * Compliant with RoHS.
- * Refer to "General Instruction and Notice when using Terminals and Connectors" at the end of this catalog.
- * Contact JST for details.

Standards

- Ⓜ Recognized E60389
- Ⓢ Certified LR20812
- ⚠ R75171

V CONNECTOR

Contact



Model No.	Applicable wire			Q'ty/ reel
	mm ²	AWG #	Insulation O.D. (mm)	
SVF-01T-1.5A	0.13 to 0.5	26 to 20	1.3 to 2.7	15,000

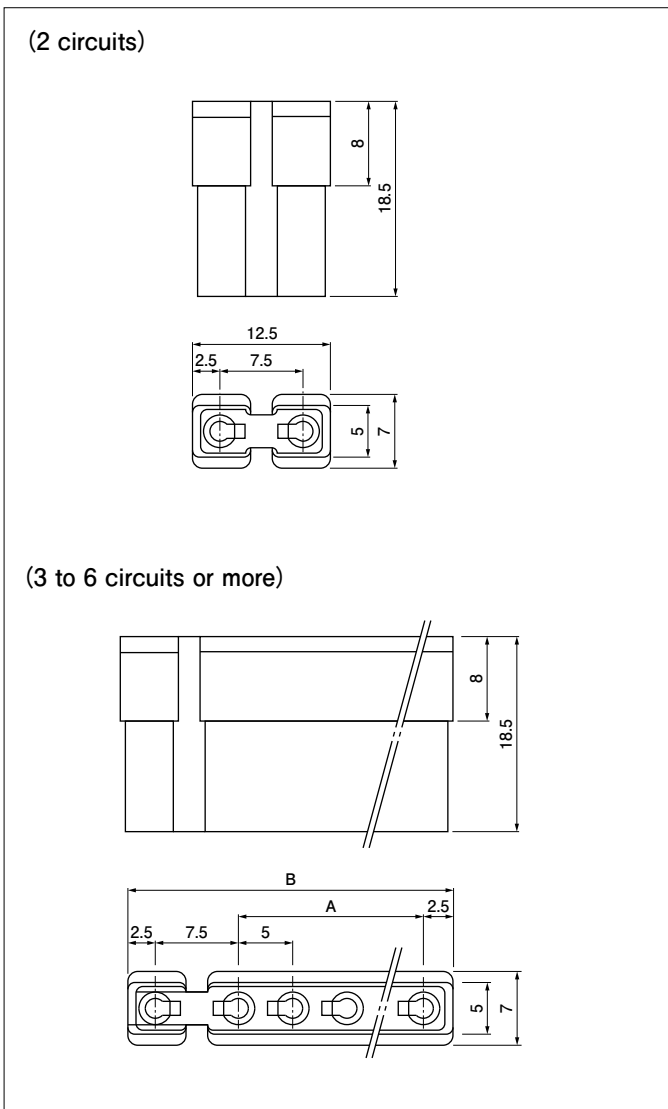
Material and Finish

Brass, tin-plated (reflow treatment)

RoHS compliance

Note: Contact JST for details if you require shielded wires, thin wires or other special wires, or if two wires must be crimped in one contact.

Housing



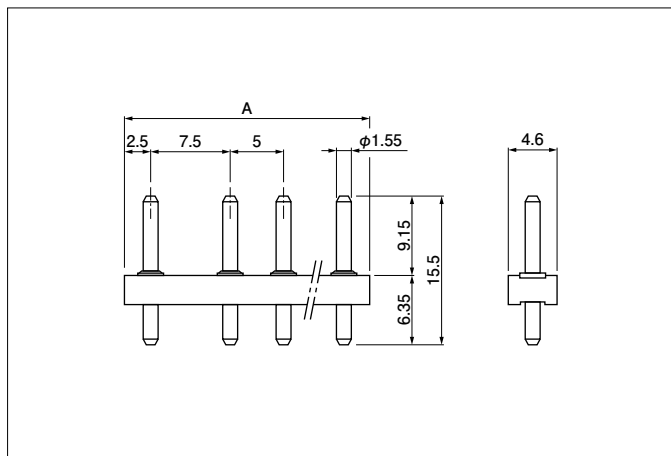
No. of circuits	Model No.		Dimensions (mm)		Q'ty/ bag
			A	B	
2	2P-SVF	2P-SVF-V	-	-	1,000
3	3P-SVF	3P-SVF-V	5.0	17.5	1,000
4	4P-SVF	4P-SVF-V	10.0	22.5	500
5	5P-SVF	5P-SVF-V	15.0	27.5	500
6	6P-SVF	6P-SVF-V	20.0	32.5	500

Material

PA 6, () P-SVF...UL94V-2, () P-SVF-V...UL94V-0, natural (white)

RoHS compliance

Header



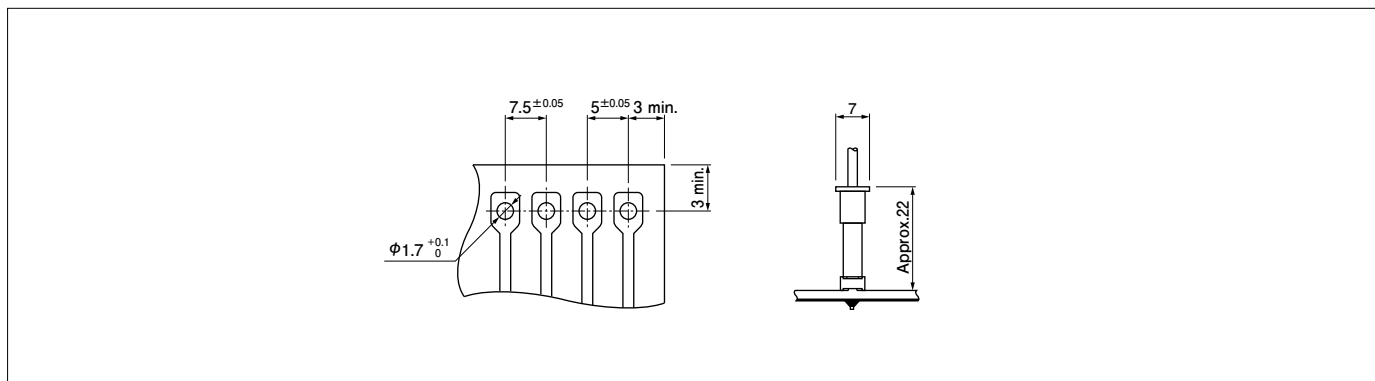
No. of circuits	Model No.	Dimension A (mm)	Q'ty/box
2	RTB-1.5-2P	12.5	1,000
3	RTB-1.5-3P	17.5	1,000
4	RTB-1.5-4P	22.5	500
5	RTB-1.5-5P	27.5	500
6	RTB-1.5-6P	32.5	250

Material and Finish

Pin: Brass, nickel-undercoated, tin/copper alloy-plated
 Wafer: Glass-filled PBT, UL94V-0, natural (white)

RoHS compliance This product displays (LF) (SN) on a label.

PC board layout (viewed from soldering side) and Assembly layout



Note:

1. Tolerances are non-cumulative: ± 0.05 mm for all centers.
2. Hole dimensions differ according to the type of PC board and piercing method. The dimensions above should serve as a guideline. Contact JST for details.

V CONNECTOR

Model number allocation

Contact

	S V F - 01 T - 1.5 A
Form: S...Strip form, L...Loose piece	
Series name	
Shape: F...Socket contact	
Applicable wire range: AWG #26 to #20	
Surface finish: T...Tin-plated (reflow treatment)	
Terminal size	
Supplementary symbol	

Housing

	2 P - SVF - V
No. of circuits: 2 to 6	
Part name: Plug	
Series name	
Flammability: V...UL94V-0	

Header

	RTB - 1.5 - 2 P
Series name	
Post diameter: 1.55 mm	
No. of circuits: 2 to 6	
Supplementary symbol	

Crimping machine, Applicator

Contact	Crimping machine	Applicator		
		Crimp applicator	Dies	Crimp applicator with dies
SVF-01T-P1.5A	AP-K2N	MKS-L	MK/SVF-01-15A	APLMK SVF01-15A

Note: Contact JST for fully automatic crimping applicator.