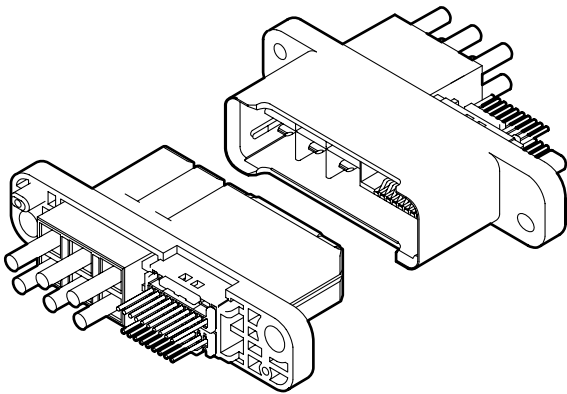




RWZ CONNECTOR L-Type



This connector is a hybrid type double-row drawer connector combined signal and power supply circuits connector to connect the units. RWZ connector with lever locking device is adopted as applicable socket to prevent incomplete mating.

- Signal circuit 1.5 mm pitch lever-locking type
- Hybrid type
- High durability
- Absorbed misalignment mechanism

Specifications

- Current rating: Signal circuit/ 1.0 A AC, DC (AWG #26)
Power supply circuit/ 15 A AC, DC (AWG #14)
- Voltage rating: Signal circuit/ 50 V AC, DC
Power supply circuit/ 250 V AC, DC
- Temperature range: -25°C to +85°C
(including temperature rise in applying electrical current)
- Contact resistance:
 - Signal circuit Initial value/ 40 mΩ max.
After environmental tests/ 60 mΩ max.
 - Power supply circuit Initial value/ 10 mΩ max.
After environmental tests/ 20 mΩ max.
- Insulation resistance: 500 MΩ min.
- Withstanding voltage: Signal circuit 500 VAC/minute
Power supply circuit 1,500 VAC/minute
- Applicable wire:
 - Signal circuit Applicable socket/ RCZ connector
 - Power supply circuit Conductor size/ AWG #24 to #14
Insulation O.D. / 1.4 to 3.6 mm
- Mounting method: Screw
- * Refer to "General Instruction and Notice when using Terminals and Connectors" at the end of this catalog.
- * Contact JST for details.
- * Compliant with RoHS.

Standards

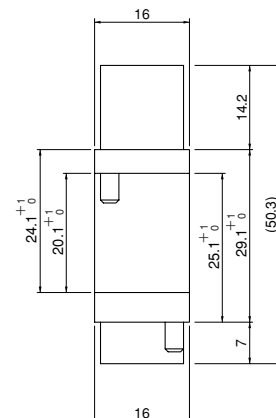
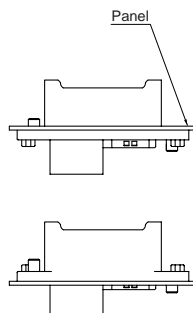
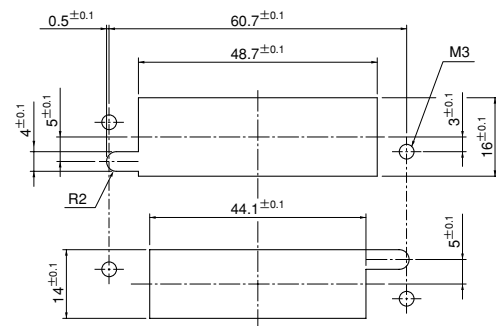
Recognized E60389

Certified LR20812

Panel layout and Assembly layout

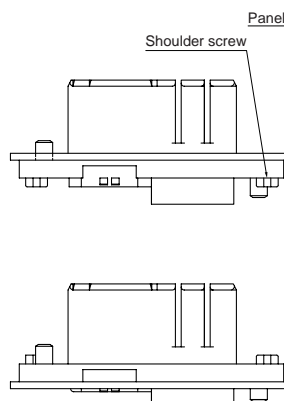
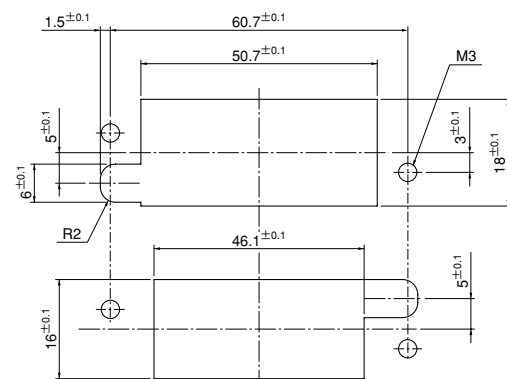
Plug

Panel thickness: 0.8 to 2.0 mm



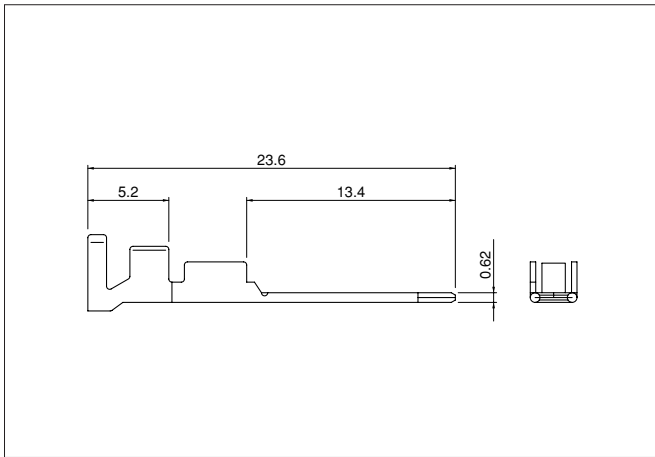
Receptacle

Panel thickness: 0.8 to 2.0 mm



RWZ CONNECTOR L-Type

Plug contact for power supply circuit



Model No.	Applicable wire		Insulation O.D. (mm)	Q'ty/reel
	mm ²	AWG #		
SRWM-01GG-S0.6	0.2~0.5	24~20	1.4~1.9	4,000
SRWM-21GG-S0.6	0.3~0.75	22~18	1.55~3.1	3,000
SRWM-61GG-S0.6	0.75~2.0	18~14	2.0~3.6	3,000

Material and Finish

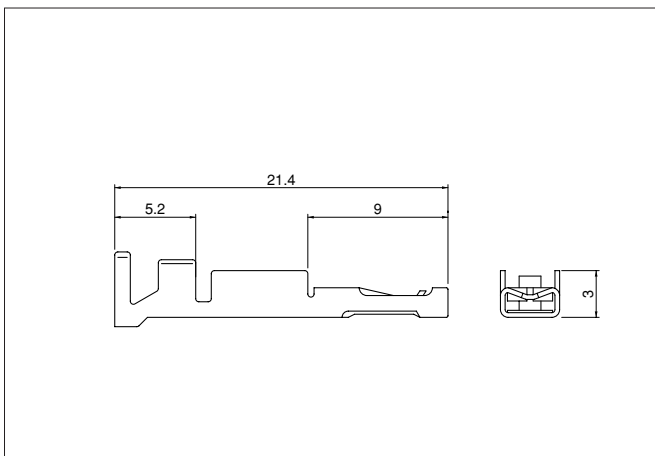
Copper alloy, nickel-undercoated, Contacting part; gold-plated
Crimping part; tin-plated (reflow treatment)

RoHS compliance This product displays (LF)(SN) on a label.

Contact	Crimping machine	Applicator		
		Crimp applicator	Dies	Crimp applicator with dies
SRWM-01GG-S0.6	AP-K2N	MKS-L	MK/SRPF/M-01-06	APLMK SRPF/M01-06
		—	—	—
SRWM-21GG-S0.6		MKS-L	MK/SRPF/M-21-06	APLMK SRPF/M21-06
		—	—	—
SRWM-61GG-S0.6		MKS-L	MK/SRPF/M-61-06	APLMK SRPF/M61-06
		—	—	—

Note: Contact JST for fully automatic crimping applicator.

Receptacle contact for power supply circuit



Model No.	Applicable wire		Insulation O.D. (mm)	Q'ty/reel
	mm ²	AWG #		
SRWF-01GG-M0.6	0.2~0.5	24~20	1.4~1.9	4,000
SRWF-21GG-M0.6	0.3~0.75	22~18	1.55~3.1	3,000
SRWF-61GG-M0.6	0.75~2.0	18~14	2.0~3.6	3,000

Material and Finish

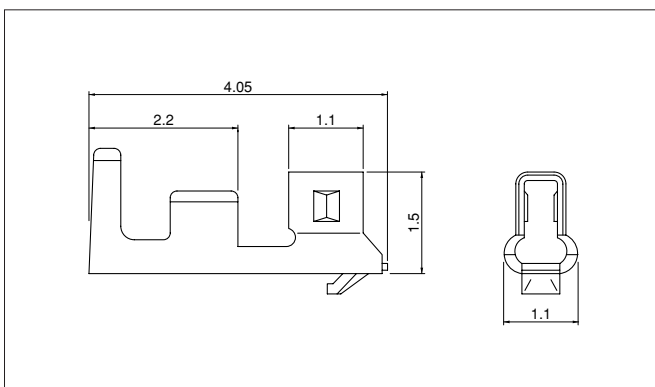
Copper alloy, nickel-undercoated, Contacting part; gold-plated
Crimping part; tin-plated (reflow treatment)

RoHS compliance This product displays (LF)(SN) on a label.

Contact	Crimping machine	Applicator		
		Crimp applicator	Dies	Crimp applicator with dies
SRWF-01GG-M0.6	AP-K2N	MKS-L	MK/SRPF/M-01-06	APLMK SRPF/M01-06
		—	—	—
SRWF-21GG-M0.6		MKS-L	MK/SRPF/M-21-06	APLMK SRPF/M21-06
		—	—	—
SRWF-61GG-M0.6		MKS-L	MK/SRPF/M-61-06	APLMK SRPF/M61-06
		—	—	—

Note: Contact JST for fully automatic crimping applicator.

CZH connector contact (for RCZ connector)



Model No.	Applicable wire		Insulation O.D. (mm)	Q'ty/reel
	mm ²	AWG #		
SCZH-002T-P0.5	0.08~0.19	28~26	0.8~1.1	13,000

Material and Finish

Copper alloy, tin-plated (reflow treatment)

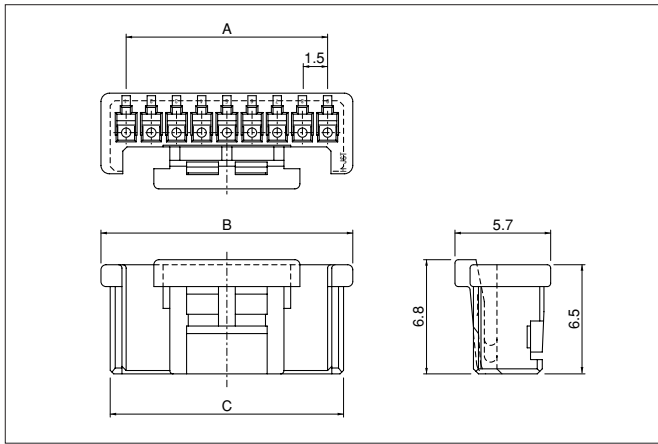
RoHS compliance

Contact	Crimping machine	Applicator		
		Crimp applicator	Dies	Crimp applicator with dies
SCZH-002T-P0.5	AP-K2N	MKS-L	MK/SCZH-002-05	APLMK SCZH002-05
		—	—	—

Note: Contact JST for fully automatic crimping applicator.

RWZ CONNECTOR L-Type

RCZ connector socket housing



No. of circuits	Model No.	Dimensions (mm)			Q'ty/bag
		A	B	C	
9	RCZR-09V-PS	12.0	15.0	13.9	1,000
10	RCZR-10V-PS	13.5	16.5	15.4	1,000

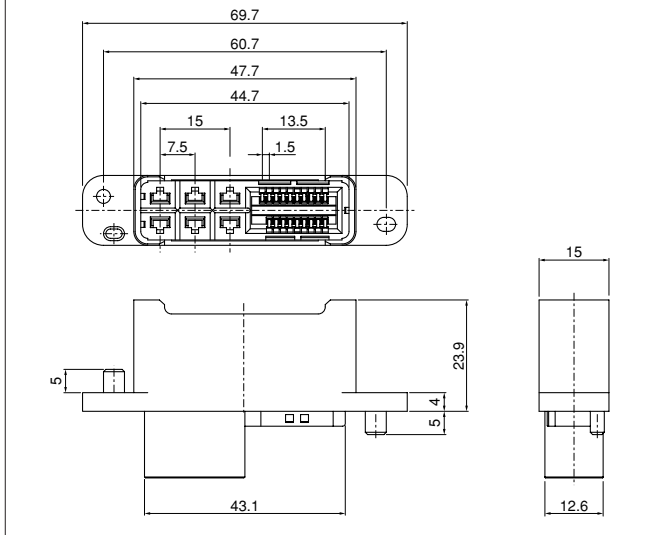
Material

PA 66, UL94V-0

RoHS compliance This product displays (LF)(SN) on a label.

Plug

Hybrid type (Connector with integrated signal and power)



No. of circuits		Model No.	Q'ty/box
Power supply	Signal		
6	19	19LP-RWZV-K4GG-P6	168

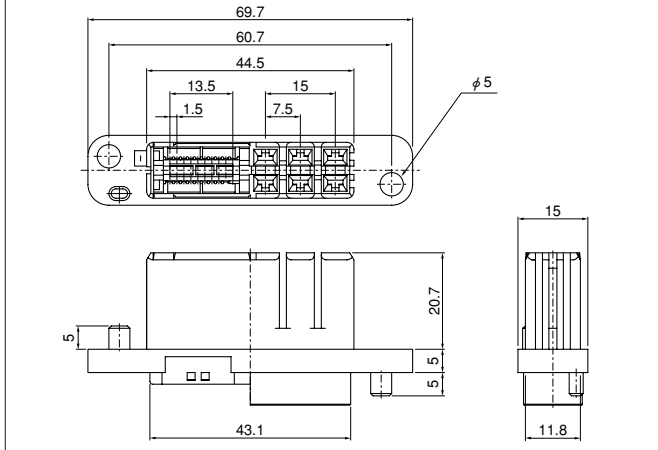
Material and Finish

Signal contact: Copper alloy, nickel-undercoated, selective gold-plated tin-plated (reflow-treatment)
Housing: PBT, UL94V-0, black

RoHS compliance This product displays (LF)(SN) on a label.

Receptacle

Hybrid type (Connector with integrated signal and power)



No. of circuits		Model No.	Q'ty/box
Power supply	Signal		
6	19	19LR-RWZV-K2GG-R6	168

Material and Finish

Signal contact: Copper alloy, nickel-undercoated, selective gold-plated tin-plated (reflow-treatment)
Housing: PBT, UL94V-0, black

RoHS compliance This product displays (LF)(SN) on a label.