



# D SUBMINIATURE CONNECTOR J SERIES

Solder pot plug and socket

## SOLDER POT PLUG AND SOCKET



Solder pot plug



Solder pot socket

## Features

- The socket contacts are formed by high-speed stamping presses to obtain the advantages of cold working. They are therefore highly elastic, which in turn ensures reliable connection even after many mating cycles.
- The dimples in the plug shell ensure continuity between it and the socket shell, thus providing complete shielding.
- Costs are kept low by selective gold plating the contacts.
- The solder cup portions of the contacts are tin-plated for easy soldering.
- Insulator housings are made of a heat-resistant glass-filled PBT resin.

## Standards

Recognized E60389    Certified LR20812

- \* Refer to "General Instruction and Notice when using Terminals and Connectors" at the end of this catalog.
- \* Contact JST for details.
- \* RoHS2 compliance

# D SUBMINIATURE CONNECTOR J SERIES

## Specifications

### Materials

| Connector | Part name | Material and Finish   |
|-----------|-----------|---|
| Plug      | Contact   | Brass, gold-plated product:<br>Nickel-undercoated,<br>Mating part; gold-plated<br>Solder tail; tin-plated (reflow treatment)<br>tin-plated product: Copper-undercoated,<br>tin-plated (reflow treatment)              |
|           | Insulator | Glass-filled PBT, UL94V-0, black  |
|           | Shell     | Steel, copper-undercoated, nickel-plated  |
| Socket    | Contact   | Phosphor bronze,<br>gold-plated product:<br>Nickel-undercoated,<br>Mating part; gold-plated<br>Solder tail; tin-plated (reflow treatment)<br>tin-plated product: Copper-undercoated,<br>tin-plated (reflow treatment) |
|           | Insulator | Glass-filled PBT, UL94V-0, black  |
|           | Shell     | Steel, copper-undercoated, nickel-plated  |

### Characteristics

|                       |   |
|-----------------------|---|
| Current rating        | 3 A AC/DC (2 A for 37 circuits)   |
| Voltage rating        | 250 V AC/DC   |
| Temperature range     | -40°C to +85°C<br>(including temperature rise in applying electrical current) |
| Contact resistance    | Initial value/ 15 mΩ max.<br>After environmental tests/ 30 mΩ max.            |
| Insulation resistance | 5,000 MΩ min.   |
| Withstanding voltage  | 1,000 VAC/minute  |

Note: Contact JST for details.

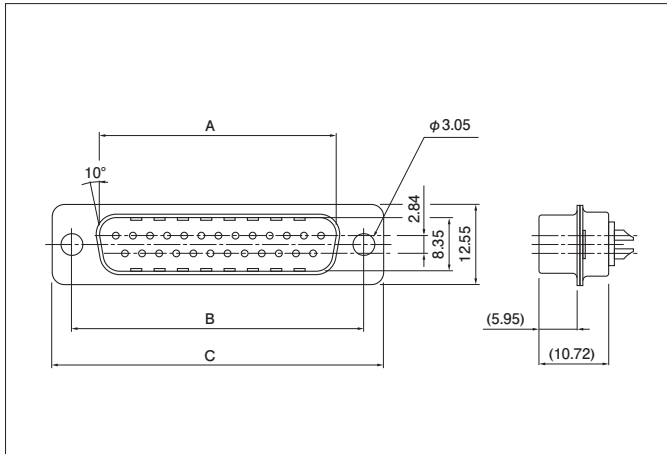
### Model number identification

**J E Z - 9 P - 14 - 3**

- Series name
- Shell size: E, A, B, C
- Wire connection style: Z ... Solder pot type
- Number of circuits: 9, 15, 25, 37
- Connector type: P ... Plug, S ... Socket
- Finish  
Blank ... Gold-plated (flash)      14 ... 0.76 micron gold-plated  
90 ... Tin-plated (reflow treatment)
- Plating specification of shell: 3 ... Copper-undercoated, nickel-plated

Note: 1. The relationship between number of circuits and shell size is shown below.  
9: E, 15: A, 25: B, 37: C  
2. Contact JST for special plating requirements.

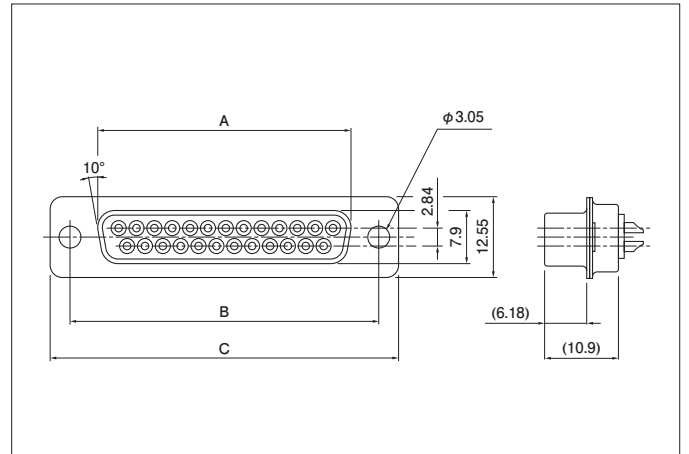
### Plug



| Circuits | Model No.   |              | Dimensions (mm) |       |       | Q'ty/<br>box |
|----------|-------------|--------------|-----------------|-------|-------|--------------|
|          | Gold-plated | Tin-plated   | A               | B     | C     |              |
| 9        | JEZ-9P-3    | JEZ-9P-90-3  | 16.92           | 24.99 | 30.80 | 100          |
| 15       | JAZ-15P-3   | —            | 25.25           | 33.32 | 39.14 | 100          |
| 25       | JBZ-25P-3   | JBZ-25P-90-3 | 38.97           | 47.04 | 53.04 | 50           |
| 37       | JCZ-37P-3   | JCZ-37P-90-3 | 55.43           | 63.50 | 69.32 | 50           |

RoHS2 compliance Gold-plated products display (LF)(SN) on a label.

### Socket



| Circuits | Model No.   |              | Dimensions (mm) |       |       | Q'ty/<br>box |
|----------|-------------|--------------|-----------------|-------|-------|--------------|
|          | Gold-plated | Tin-plated   | A               | B     | C     |              |
| 9        | JEZ-9S-3    | JEZ-9S-90-3  | 16.34           | 24.99 | 30.80 | 100          |
| 15       | JAZ-15S-3   | JAZ-15S-90-3 | 24.67           | 33.33 | 39.14 | 100          |
| 25       | JBZ-25S-3   | JBZ-25S-90-3 | 38.38           | 47.04 | 53.04 | 50           |
| 37       | JCZ-37S-3   | JCZ-37S-90-3 | 54.84           | 63.50 | 69.32 | 50           |

RoHS2 compliance Gold-plated products display (LF)(SN) on a label.



# D SUBMINIATURE CONNECTOR J SERIES

Right angle through-hole plug and socket

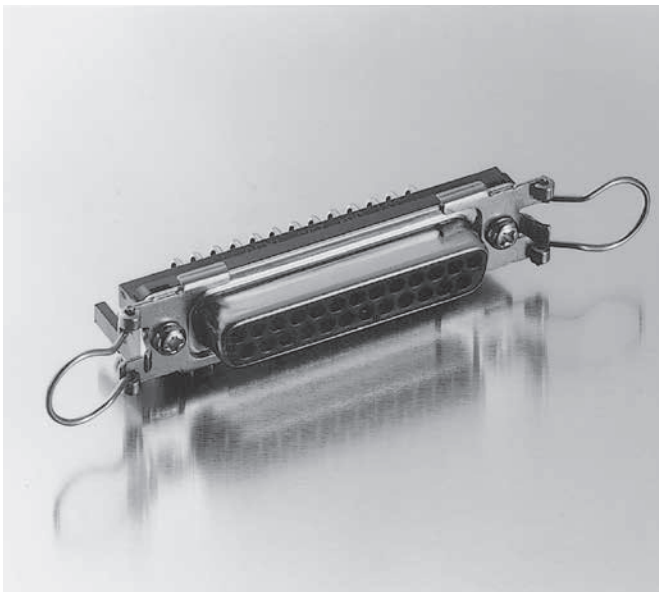
RIGHT ANGLE THROUGH-HOLE PLUG AND SOCKET



Right angle through-hole plug  
(with hexagonal lock screw blocks)



Right angle through-hole socket  
(with rectangular lock screw blocks)



Right angle through-hole socket  
(with bail lock)

## Features

- The socket contacts are made by high-speed stamping presses. This promotes the uniform elasticity of the twin-contact mating sections and therefore ensures reliable contact even after repeated mating cycles. The solder tails are U-shaped for extra strength.
- Costs are minimized by selective gold plating, high speed stamping presses, and completely automated assembly.
- To ensure complete shielding, a wide variety of grounding adapters are available so that the sockets can be grounded to different kinds of supporting structures.
- Metric, inch or other lock screw blocks are available for fastening mating plugs.

# D SUBMINIATURE CONNECTOR J SERIES

## Specifications

### Materials

| Part name                                    |                   | Material and Finish   |
|--|-------------------|---|
| Contact                                      | Plug              | Brass, gold-plated product: Nickel-undercoated,<br>Mating part; gold-plated<br>Solder tail; tin-plated (reflow treatment)<br>tin-plated product: Copper-undercoated,<br>tin-plated (reflow treatment)           |
|  | Socket            | Phosphor bronze, gold-plated product: Nickel-undercoated,<br>Mating part; gold-plated<br>Solder tail; tin-plated (reflow treatment)<br>tin-plated product: Copper-undercoated,<br>tin-plated (reflow treatment) |
| Insulator                                    |                   | Glass-filled PBT, UL94V-0, black  |
| Shell  |                   | Steel, copper-undercoated, nickel-plated  |
| Hexagonal lock screw block                   |                   | Steel, copper-undercoated, nickel-plated  |
| Rectangular lock screw block                 |                   | Zinc, copper-undercoated, nickel-plated   |
| Grounding adapter having a 3.2 mm dia. hole  |                   | Steel, copper-undercoated, nickel-plated  |
| Grounding adapter having an M3 tapped hole   |                   |   |
| Grounding adapter having a spring lock lever |                   | Brass, nickel-undercoated, tin/copper alloy-plated  |
| Spring lock                                  | Bail lock         | Stainless steel   |
|  | Accepts bail lock |   |

### Characteristics

|                               |   |
|-------------------------------|---|
| Current rating                | 3 A AC/DC (2 A AC/DC for 37 circuits)   |
| Voltage rating                | 250 V AC/DC   |
| Temperature range             | -40°C to +85°C<br>(including temperature rise in applying electrical current) |
| Contact resistance            | Initial value/ 15 mΩ max.<br>After environmental tests/ 30 mΩ max.            |
| Insulation resistance         | 5,000 MΩ min.   |
| Withstanding voltage          | 1,000 VAC/minute  |
| Applicable PC board thickness | 1.6 mm  |

Note: Contact JST for details.

### Standards

Recognized E60389    Certified LR20812

\* Refer to "General Instruction and Notice when using Terminals and Connectors" at the end of this catalog.

\* Contact JST for details.

\* RoHS2 compliance

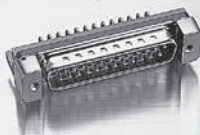
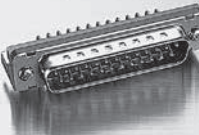




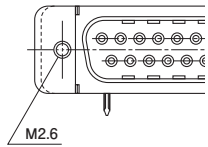
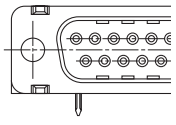
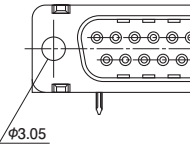
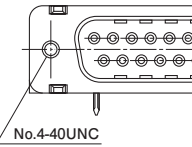
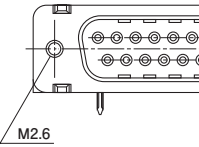
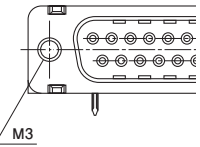
### Model number identification

|   | J | E | Y - 9 | S - 1A | 3   | A | 14 | S1 |
|---|---|---|-------|--------|---|---|----|----|
| • Series name   |   |   |       |        |   |   |    |    |
| • Shell size: E, A, B, C  |   |   |       |        |   |   |    |    |
| • Wire connection style: Y... Right angle through-hole style  |   |   |       |        |   |   |    |    |
| • Number of circuits: 9, 15, 25, 37   |   |   |       |        |   |   |    |    |
| • Connector type: P ... Plug, S ... Socket  |   |   |       |        |   |   |    |    |
| • Connector construction/Dimensions: Standard J series  |   |   |       |        |   |   |    |    |
| • Types of grounding adapters: 0 ... Without grounding adapters                                       |   |   |       |        |   |   |    |    |
| 1 ... With grounding adapters having a 3.2 mm dia. hole   |   |   |       |        |   |   |    |    |
| 2 ... With grounding adapters having an M3 thread   |   |   |       |        |   |   |    |    |
| 3 ... With grounding adapters having a spring lock device (1)   |   |   |       |        |   |   |    |    |
| 4 ... With grounding adapters having a spring lock device (2)   |   |   |       |        |   |   |    |    |
| • Types of lock screw blocks: A ... With hexagonal lock screw blocks having a No. 4-40UNC inch thread |   |   |       |        |   |   |    |    |
| B ... With hexagonal lock screw blocks having an M2.6 thread  |   |   |       |        |   |   |    |    |
| C ... With rectangular lock screw blocks having an M2.6 thread  |   |   |       |        |   |   |    |    |
| D ... Without lock screw blocks   |   |   |       |        |   |   |    |    |
| E ... Without lock screw blocks, but with grounding adapters having a 3.05 mm dia. hole               |   |   |       |        |   |   |    |    |
| F ... Without lock screw blocks, but with grounding adapters having a No. 4-40UNC inch thread         |   |   |       |        |   |   |    |    |
| G ... Without lock screw blocks, but with grounding adapters having an M2.6 thread                    |   |   |       |        |   |   |    |    |
| H ... Without lock screw blocks, but with grounding adapters having an M3 thread                      |   |   |       |        |   |   |    |    |
| • Finish: Blank ... Gold-plated (flash)   |   |   |       |        |   |   |    |    |
| 13 ... 0.4 micron gold-plated   |   |   |       |        | 14 ... 0.76 micron gold-plated                                |   |    |    |
| 90 ... Tin-plated (reflow treatment)  |   |   |       |        |   |   |    |    |
| • Bail locks: Blank...Without bail locks  |   |   |       |        |   |   |    |    |
| S or S1...With bail locks   |   |   |       |        | S2...With bail locks (with addition of spring characteristic) |   |    |    |
| S5...With bail locks (with addition of spring characteristic, straight oval type)                     |   |   |       |        |   |   |    |    |
| Note: 1. The relationship between number of circuits and shell size is shown below.                   |   |   |       |        |   |   |    |    |
| 9: E, 15: A, 25: B, 37: C   |   |   |       |        |   |   |    |    |
| 2. Contact JST for special plating requirements.  |   |   |       |        |   |   |    |    |
| 3. Contact JST for the Socket with bail locks. (Not UL/CSA approved.)                                 |   |   |       |        |   |   |    |    |

# D SUBMINIATURE CONNECTOR J SERIES

| Right angle through-hole plug  |                  | Type A          | Type B          |           |                 |     |      |              |  |              |                  |                 |   |   |   |   |   |   |             |               |       |       |       |     |      |     |    |              |                |       |       |       |     |      |     |    |              |                |       |       |       |     |      |    |   |   |
|--|------------------|-----------------|-----------------|-----------|-----------------|-----|------|--------------|--|--------------|------------------|-----------------|---|---|---|---|---|---|-------------|---------------|-------|-------|-------|-----|------|-----|----|--------------|----------------|-------|-------|-------|-----|------|-----|----|--------------|----------------|-------|-------|-------|-----|------|----|---|---|
|  |                  |                 |                 |           |                 |     |      |              |  |              |                  |                 |   |   |   |   |   |   |             |               |       |       |       |     |      |     |    |              |                |       |       |       |     |      |     |    |              |                |       |       |       |     |      |    |   |   |
| <p>H: Height of the lock screw block (for Types A, B &amp; C)</p> <table border="1"> <thead> <tr> <th rowspan="2">Circuits</th> <th colspan="2">Model No.</th> <th colspan="5">Dimensions (mm)</th> <th rowspan="2">Q'ty/<br/>box</th> </tr> <tr> <th>Gold-plated plug</th> <th>Tin-plated plug</th> <th>A</th> <th>B</th> <th>C</th> <th>D</th> <th>E</th> </tr> </thead> <tbody> <tr> <td>9</td> <td>JEY-9P-1A**</td> <td>JEY-9P-1A**90</td> <td>16.90</td> <td>24.99</td> <td>30.80</td> <td>8.1</td> <td>9.52</td> <td>100</td> </tr> <tr> <td>15</td> <td>JAY-15P-1A**</td> <td>JAY-15P-1A**90</td> <td>25.25</td> <td>33.33</td> <td>39.14</td> <td>8.1</td> <td>9.52</td> <td>100</td> </tr> <tr> <td>25</td> <td>JBY-25P-1A**</td> <td>JBY-25P-1A**90</td> <td>38.97</td> <td>47.04</td> <td>53.00</td> <td>8.2</td> <td>9.62</td> <td>50</td> </tr> </tbody> </table> <p>&lt;Gold-plated product&gt; RoHS2 compliance This product displays (LF)(SN) on a label.<br/>           &lt;Tin-plated product&gt; *1, 2, 3 ... RoHS2 compliance *4, 5 ... RoHS2 compliance This product displays (LF) on a label.</p> <p>Note: ** shows the location where a two-digit code (see the table below for codes) should be entered.<br/>           For example, if a 9-circuit gold-plated (flash) plug with hexagonal lock screw blocks having a No.4-40UNC inch thread and without grounding adapters is required, specify the model number as JEY-9P-1A0A.</p> |                  | Circuits        | Model No.       |           | Dimensions (mm) |     |      |              |  | Q'ty/<br>box | Gold-plated plug | Tin-plated plug | A | B | C | D | E | 9 | JEY-9P-1A** | JEY-9P-1A**90 | 16.90 | 24.99 | 30.80 | 8.1 | 9.52 | 100 | 15 | JAY-15P-1A** | JAY-15P-1A**90 | 25.25 | 33.33 | 39.14 | 8.1 | 9.52 | 100 | 25 | JBY-25P-1A** | JBY-25P-1A**90 | 38.97 | 47.04 | 53.00 | 8.2 | 9.62 | 50 | <p>With hexagonal lock screw blocks (H: 6.3 mm) having a No.4-40UNC inch thread</p> | <p>With hexagonal lock screw blocks (H: 6.3 mm) having an M2.6 thread</p> |
| Circuits   | Model No.        |                 | Dimensions (mm) |           |                 |     |      | Q'ty/<br>box |  |              |                  |                 |   |   |   |   |   |   |             |               |       |       |       |     |      |     |    |              |                |       |       |       |     |      |     |    |              |                |       |       |       |     |      |    |   |   |
|  | Gold-plated plug | Tin-plated plug | A               | B         | C               | D   | E    |              |  |              |                  |                 |   |   |   |   |   |   |             |               |       |       |       |     |      |     |    |              |                |       |       |       |     |      |     |    |              |                |       |       |       |     |      |    |   |   |
| 9  | JEY-9P-1A**      | JEY-9P-1A**90   | 16.90           | 24.99     | 30.80           | 8.1 | 9.52 | 100          |  |              |                  |                 |   |   |   |   |   |   |             |               |       |       |       |     |      |     |    |              |                |       |       |       |     |      |     |    |              |                |       |       |       |     |      |    |   |   |
| 15   | JAY-15P-1A**     | JAY-15P-1A**90  | 25.25           | 33.33     | 39.14           | 8.1 | 9.52 | 100          |  |              |                  |                 |   |   |   |   |   |   |             |               |       |       |       |     |      |     |    |              |                |       |       |       |     |      |     |    |              |                |       |       |       |     |      |    |   |   |
| 25   | JBY-25P-1A**     | JBY-25P-1A**90  | 38.97           | 47.04     | 53.00           | 8.2 | 9.62 | 50           |  |              |                  |                 |   |   |   |   |   |   |             |               |       |       |       |     |      |     |    |              |                |       |       |       |     |      |     |    |              |                |       |       |       |     |      |    |   |   |
| <p>*1 Without grounding adapters</p>   |                  |                 | <p>0A</p>       | <p>0B</p> |                 |     |      |              |  |              |                  |                 |   |   |   |   |   |   |             |               |       |       |       |     |      |     |    |              |                |       |       |       |     |      |     |    |              |                |       |       |       |     |      |    |   |   |
| <p>*2 With grounding adapters with a 3.2 mm dia. hole</p>  |                  |                 | <p>—</p>        | <p>1B</p> |                 |     |      |              |  |              |                  |                 |   |   |   |   |   |   |             |               |       |       |       |     |      |     |    |              |                |       |       |       |     |      |     |    |              |                |       |       |       |     |      |    |   |   |
| <p>*3 With grounding adapters with an M3 thread</p>  |                  |                 | <p>2A</p>       | <p>2B</p> |                 |     |      |              |  |              |                  |                 |   |   |   |   |   |   |             |               |       |       |       |     |      |     |    |              |                |       |       |       |     |      |     |    |              |                |       |       |       |     |      |    |   |   |
| <p>*4 With grounding adapters with a spring lock device (1)</p>  |                  |                 | <p>3A</p>       | <p>3B</p> |                 |     |      |              |  |              |                  |                 |   |   |   |   |   |   |             |               |       |       |       |     |      |     |    |              |                |       |       |       |     |      |     |    |              |                |       |       |       |     |      |    |   |   |
| <p>*5 With grounding adapters with a spring lock device (2)</p>  |                  |                 | <p>—</p>        | <p>—</p>  |                 |     |      |              |  |              |                  |                 |   |   |   |   |   |   |             |               |       |       |       |     |      |     |    |              |                |       |       |       |     |      |     |    |              |                |       |       |       |     |      |    |   |   |

# D SUBMINIATURE CONNECTOR J SERIES






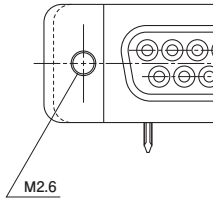
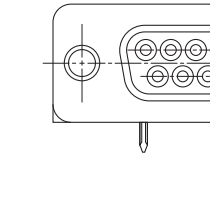
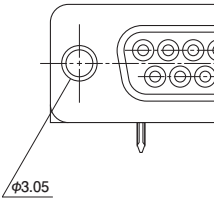
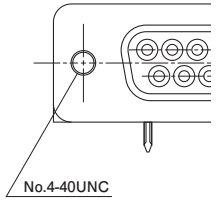
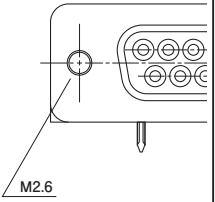
| Type C   | Type D   | Type E  | Type F  | Type G   | Type H   |
|--|--|---|---|--|--|
|   |   |    |   |   |   |
| With rectangular lock screw blocks (H: 6.2 mm) having an M2.6 thread               | Without lock screw blocks  | Without lock screw blocks<br>E: Grounding adapter has no thread.<br>F, G, H: Grounding adapters have a thread (*1) for securing separately-purchased lock screw blocks (*2) |   |  |  |
|  |  | Use a lock screw block of Model number JFS-( )S-C1N.  | *1: No.4-40UNC inch thread<br>*2: Model number JFS-4S-( )1W(M)                      | *1: M2.6 thread<br>*2: Model number JFS-2.6S-( )1W(M)                                | *1: M3 thread<br>*2: Model number JFS-3S-( )1W(M)                                    |
|  |  |   |  |  |  |
| 0C   | 0D   | —   | —   | —  | —  |
| 1C   | 1D   | —   | 1F  | 1G   | —  |
| 2C   | 2D   | 2E  | 2F  | 2G   | —  |
| 3C   | 3D   | 3E  | 3F  | 3G   | —  |
| —  | —  | —   | —   | —  | 4H   |



# D SUBMINIATURE CONNECTOR J SERIES

| Right angle through-hole socket  |                    | Type A            | Type B          |       |                 |     |      |              |  |              |                    |                   |   |   |   |   |   |   |             |               |       |       |       |     |      |     |    |              |                |       |       |       |     |      |     |    |              |                |       |       |       |     |      |    |    |              |                |       |       |       |     |      |    |   |   |
|--|--------------------|-------------------|-----------------|-------|-----------------|-----|------|--------------|--|--------------|--------------------|-------------------|---|---|---|---|---|---|-------------|---------------|-------|-------|-------|-----|------|-----|----|--------------|----------------|-------|-------|-------|-----|------|-----|----|--------------|----------------|-------|-------|-------|-----|------|----|----|--------------|----------------|-------|-------|-------|-----|------|----|---|---|
|  |                    |                   |                 |       |                 |     |      |              |  |              |                    |                   |   |   |   |   |   |   |             |               |       |       |       |     |      |     |    |              |                |       |       |       |     |      |     |    |              |                |       |       |       |     |      |    |    |              |                |       |       |       |     |      |    |   |   |
| <p>H: Height of the lock screw block (for Types A, B &amp; C)</p> <table border="1"> <thead> <tr> <th rowspan="2">Circuits</th> <th colspan="2">Model No.</th> <th colspan="5">Dimensions (mm)</th> <th rowspan="2">Q'ty/<br/>box</th> </tr> <tr> <th>Gold-plated socket</th> <th>Tin-plated socket</th> <th>A</th> <th>B</th> <th>C</th> <th>D</th> <th>E</th> </tr> </thead> <tbody> <tr> <td>9</td> <td>JEY-9S-1A**</td> <td>JEY-9S-1A**90</td> <td>16.34</td> <td>24.99</td> <td>30.80</td> <td>8.1</td> <td>9.52</td> <td>100</td> </tr> <tr> <td>15</td> <td>JAY-15S-1A**</td> <td>JAY-15S-1A**90</td> <td>24.67</td> <td>33.32</td> <td>39.14</td> <td>8.1</td> <td>9.52</td> <td>100</td> </tr> <tr> <td>25</td> <td>JBV-25S-1A**</td> <td>JBV-25S-1A**90</td> <td>38.38</td> <td>47.04</td> <td>53.00</td> <td>8.2</td> <td>9.62</td> <td>50</td> </tr> <tr> <td>37</td> <td>JCY-37S-1A**</td> <td>JCY-37S-1A**90</td> <td>54.84</td> <td>63.50</td> <td>69.32</td> <td>8.2</td> <td>9.62</td> <td>50</td> </tr> </tbody> </table> <p>&lt;Gold-plated product&gt; RoHS2 compliance This product displays (LF)(SN) on a label.<br/>           &lt;Tin-plated product&gt; *1, 2, 3 ... RoHS2 compliance *4, 5 ... RoHS2 compliance This product displays (LF) on a label.</p> <p>Note: 1. ** shows the location where a two-digit code (see the table below for codes) should be entered.<br/>           For example, if a 9-circuit gold-plated (flash) socket with hexagonal lock screw blocks having a No.4-40UNC inch thread and without grounding adapters is required, specify the model number as JEY-9S-1A0A.<br/>           2. It may be out of production depending on a combination.</p> |                    | Circuits          | Model No.       |       | Dimensions (mm) |     |      |              |  | Q'ty/<br>box | Gold-plated socket | Tin-plated socket | A | B | C | D | E | 9 | JEY-9S-1A** | JEY-9S-1A**90 | 16.34 | 24.99 | 30.80 | 8.1 | 9.52 | 100 | 15 | JAY-15S-1A** | JAY-15S-1A**90 | 24.67 | 33.32 | 39.14 | 8.1 | 9.52 | 100 | 25 | JBV-25S-1A** | JBV-25S-1A**90 | 38.38 | 47.04 | 53.00 | 8.2 | 9.62 | 50 | 37 | JCY-37S-1A** | JCY-37S-1A**90 | 54.84 | 63.50 | 69.32 | 8.2 | 9.62 | 50 | <p>With hexagonal lock screw blocks (H: 6.3 mm) having a No.4-40UNC inch thread</p> | <p>With hexagonal lock screw blocks (H: 6.3 mm) having an M2.6 thread</p> |
| Circuits   | Model No.          |                   | Dimensions (mm) |       |                 |     |      | Q'ty/<br>box |  |              |                    |                   |   |   |   |   |   |   |             |               |       |       |       |     |      |     |    |              |                |       |       |       |     |      |     |    |              |                |       |       |       |     |      |    |    |              |                |       |       |       |     |      |    |   |   |
|  | Gold-plated socket | Tin-plated socket | A               | B     | C               | D   | E    |              |  |              |                    |                   |   |   |   |   |   |   |             |               |       |       |       |     |      |     |    |              |                |       |       |       |     |      |     |    |              |                |       |       |       |     |      |    |    |              |                |       |       |       |     |      |    |   |   |
| 9  | JEY-9S-1A**        | JEY-9S-1A**90     | 16.34           | 24.99 | 30.80           | 8.1 | 9.52 | 100          |  |              |                    |                   |   |   |   |   |   |   |             |               |       |       |       |     |      |     |    |              |                |       |       |       |     |      |     |    |              |                |       |       |       |     |      |    |    |              |                |       |       |       |     |      |    |   |   |
| 15   | JAY-15S-1A**       | JAY-15S-1A**90    | 24.67           | 33.32 | 39.14           | 8.1 | 9.52 | 100          |  |              |                    |                   |   |   |   |   |   |   |             |               |       |       |       |     |      |     |    |              |                |       |       |       |     |      |     |    |              |                |       |       |       |     |      |    |    |              |                |       |       |       |     |      |    |   |   |
| 25   | JBV-25S-1A**       | JBV-25S-1A**90    | 38.38           | 47.04 | 53.00           | 8.2 | 9.62 | 50           |  |              |                    |                   |   |   |   |   |   |   |             |               |       |       |       |     |      |     |    |              |                |       |       |       |     |      |     |    |              |                |       |       |       |     |      |    |    |              |                |       |       |       |     |      |    |   |   |
| 37   | JCY-37S-1A**       | JCY-37S-1A**90    | 54.84           | 63.50 | 69.32           | 8.2 | 9.62 | 50           |  |              |                    |                   |   |   |   |   |   |   |             |               |       |       |       |     |      |     |    |              |                |       |       |       |     |      |     |    |              |                |       |       |       |     |      |    |    |              |                |       |       |       |     |      |    |   |   |
| *1<br>Without grounding adapters   |                    | 0A                | 0B              |       |                 |     |      |              |  |              |                    |                   |   |   |   |   |   |   |             |               |       |       |       |     |      |     |    |              |                |       |       |       |     |      |     |    |              |                |       |       |       |     |      |    |    |              |                |       |       |       |     |      |    |   |   |
| *2<br>With grounding adapters with a 3.2 mm dia. hole  |                    | 1A                | 1B              |       |                 |     |      |              |  |              |                    |                   |   |   |   |   |   |   |             |               |       |       |       |     |      |     |    |              |                |       |       |       |     |      |     |    |              |                |       |       |       |     |      |    |    |              |                |       |       |       |     |      |    |   |   |
| *3<br>With grounding adapters with an M3 thread  |                    | 2A                | 2B              |       |                 |     |      |              |  |              |                    |                   |   |   |   |   |   |   |             |               |       |       |       |     |      |     |    |              |                |       |       |       |     |      |     |    |              |                |       |       |       |     |      |    |    |              |                |       |       |       |     |      |    |   |   |
| *4<br>With grounding adapters with a spring lock device (1)  |                    | 3A                | 3B              |       |                 |     |      |              |  |              |                    |                   |   |   |   |   |   |   |             |               |       |       |       |     |      |     |    |              |                |       |       |       |     |      |     |    |              |                |       |       |       |     |      |    |    |              |                |       |       |       |     |      |    |   |   |
| *5<br>With grounding adapters with a spring lock device (2)  |                    | —                 | —               |       |                 |     |      |              |  |              |                    |                   |   |   |   |   |   |   |             |               |       |       |       |     |      |     |    |              |                |       |       |       |     |      |     |    |              |                |       |       |       |     |      |    |    |              |                |       |       |       |     |      |    |   |   |

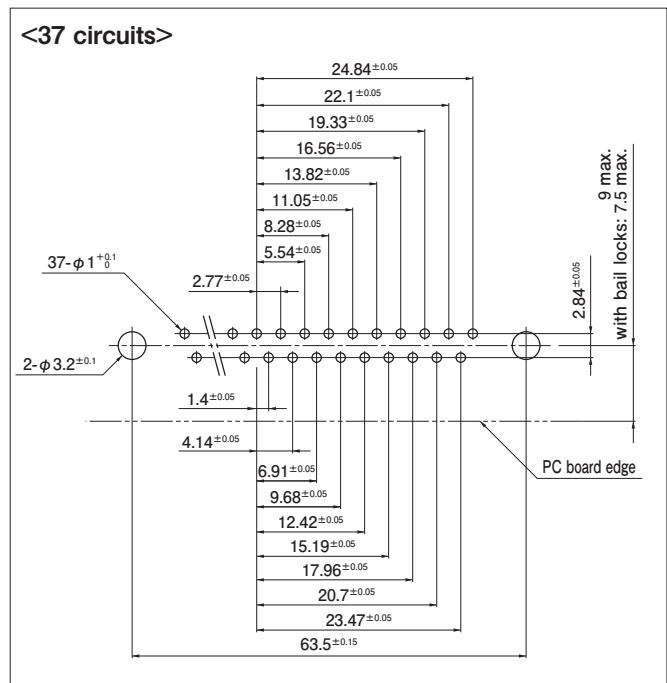
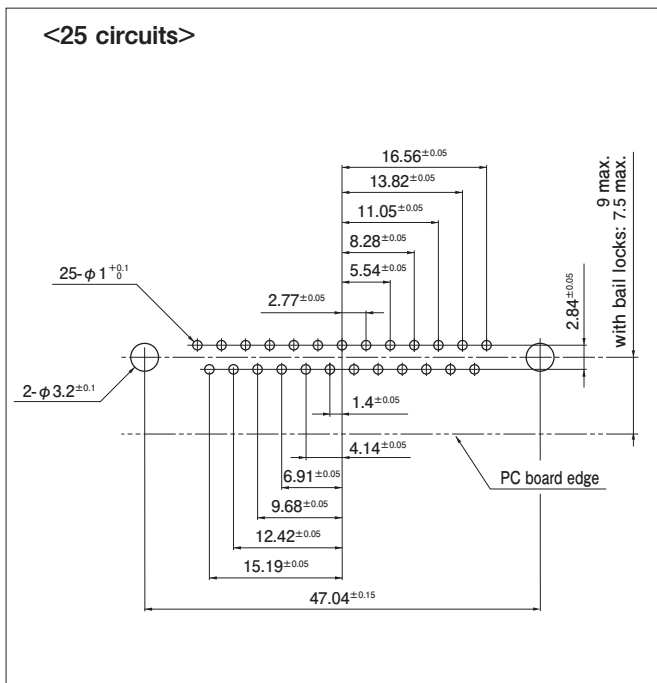
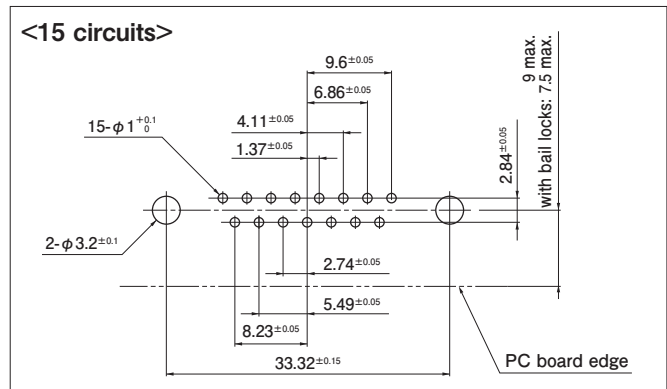
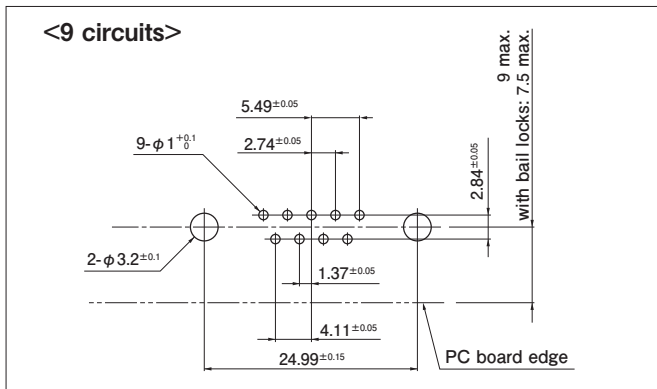
# D SUBMINIATURE CONNECTOR J SERIES

| Type C   | Type D   | Type E   | Type F  | Type G   |
|--|--|--|---|--|
|   |   |   |   |   |
| With rectangular lock screw blocks (H: 6.2 mm) having an M2.6 thread               | Without lock screw blocks  | Without lock screw blocks<br>E: Grounding adapter has no thread.<br>F, G: Grounding adapters have a thread (*1) for securing separately-purchased lock screw blocks (*2) |   |  |
|  |  | Used a lock screw block<br>[model number JFS-( )S-C1N]   | *1: No.4-40UNC inch thread<br>*2: Model number JFS-4S-( )1W(M)                      | *1: M2.6 thread<br>*2: Model number JFS-2.6S-( )1W(M)                                |
|  |  |    |  |  |
| 0C   | 0D   | —  | —   | —  |
| 1C   | 1D   | 1E   | 1F  | 1G   |
| 2C   | 2D   | 2E   | 2F  | —  |
| 3C   | 3D   | 3E   | 3F  | 3G   |
| —  | —  | —  | —   | —  |



# D SUBMINIATURE CONNECTOR J SERIES

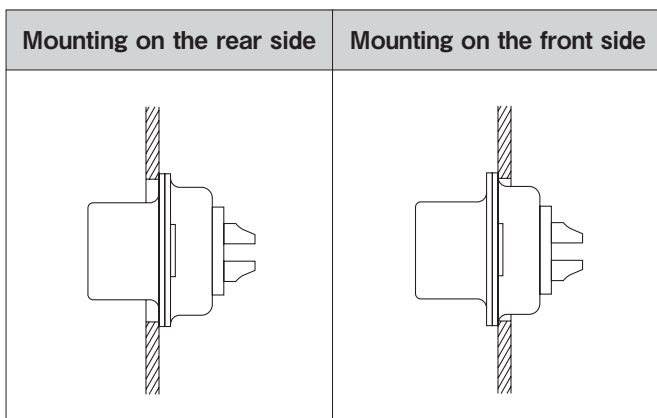
## PC board layout (viewed from component side)



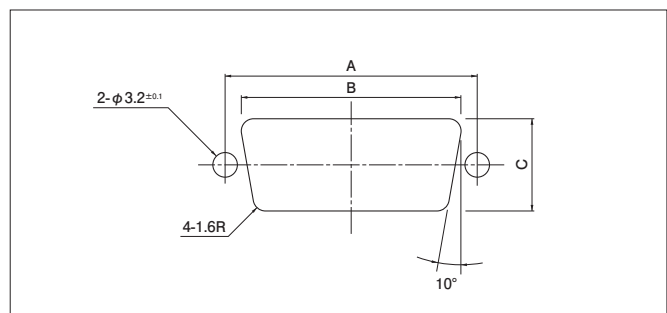
Note: 1. Tolerances are non-cumulative:  $\pm 0.05$  mm for all centers.

2. Hole dimensions differ according to the type of PC board and piercing method. The dimensions above should serve as a guideline. Contact JST for details.

## Panel layout

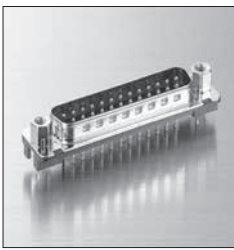


The connector can be mounted either on the front side or on the rear side of the panel as shown above.  
Use M2.5 or M2.6 screws for installation.



| Circuits | A $\pm 0.15$ | B $\pm 0.2$ | C $\pm 0.2$ |
|----------|--------------|-------------|-------------|
| 9        | 24.99        | 20.6        | 12.0        |
| 15       | 33.32        | 28.8        | 12.0        |
| 25       | 47.04        | 42.6        | 12.0        |
| 37       | 63.50        | 59.0        | 12.0        |

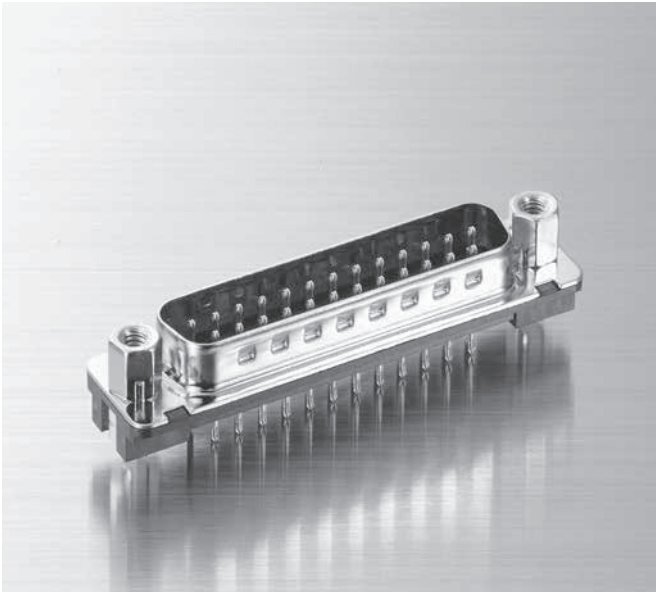
Note: The dimensions above should serve as a guideline.  
Contact JST for details.



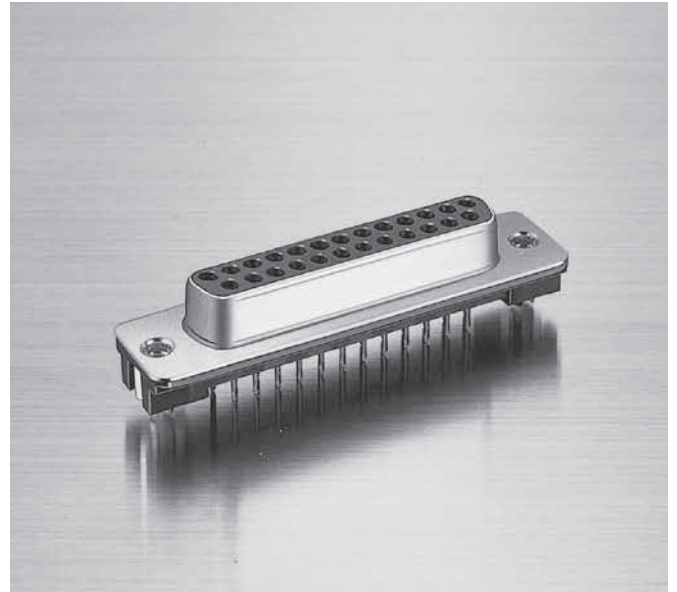
# D SUBMINIATURE CONNECTOR J SERIES

Straight through-hole plug and socket

## STRAIGHT THROUGH-HOLE PLUG AND SOCKET



Straight through-hole plug  
(with hexagonal lock screw blocks)



Straight through-hole socket (without lock screw blocks, but with  
grounding adapters having a No.4-40UNC inch thread)

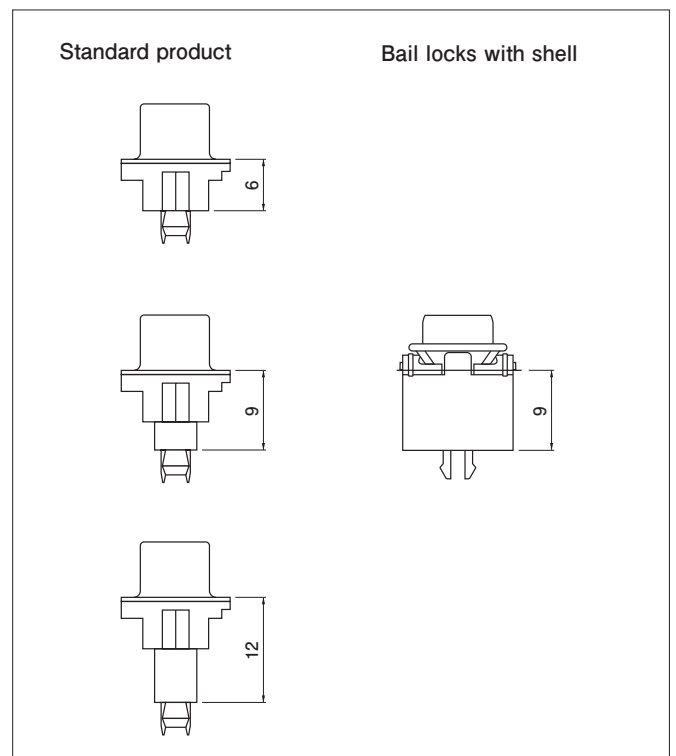
## Features

- Three standard types are available with different dimensions between the flange and solder tail: 6 mm, 9 mm, and 12 mm.
- The roots of the contact leads are covered to prevent flux from rising into the connector during soldering.
- A grounding adapter with a spring lock device allows the connector to be temporarily secured onto the printed circuit board so that the connector can be soldered easily.

## Standards

- Recognized E60389
- Certified LR20812

- \* Refer to "General Instruction and Notice when using Terminals and Connectors" at the end of this catalog.
- \* Contact JST for details.
- \* RoHS2 compliance



# D SUBMINIATURE CONNECTOR J SERIES

## Specifications

### Materials

| Part name                                 |                   | Material and Finish   |
|---|-------------------|---|
| Contact                                   | Plug              | Brass, gold-plated product: Nickel-undercoated,<br>Mating part; gold-plated<br>Solder tail; tin-plated (reflow treatment)           |
|   | Socket            | Phosphor bronze, gold-plated product: Nickel-undercoated,<br>Mating part; gold-plated<br>Solder tail; tin-plated (reflow treatment) |
| Insulator                                 |                   | Glass-filled PBT, UL94V-0, black  |
| Shell                                     |                   | Steel, copper-undercoated, nickel-plated  |
| Hexagonal lock screw block                |                   | Steel, copper-undercoated, nickel-plated  |
| Grounding adapter with spring lock device | Cutting product   | Brass, nickel-undercoated, tin/copper alloy-plated  |
|   | Stamping product  | Brass, tin-plated (reflow treatment)  |
| Spring lock                               | Bail lock         | Stainless steel   |
|   | Accepts bail lock |   |

### Characteristics

|                               |   |
|-------------------------------|---|
| Current rating                | 3 A AC/DC   |
| Voltage rating                | 250 V AC/DC   |
| Temperature range             | -40°C to +85°C<br>(including temperature rise in applying electrical current) |
| Contact resistance            | Initial value/ 15 mΩ max.<br>After environmental tests/ 30 mΩ max.            |
| Insulation resistance         | 5,000 MΩ min.   |
| Withstanding voltage          | 1,000 VAC/minute  |
| Applicable PC board thickness | 1.6 mm  |

Note: Contact JST for details.






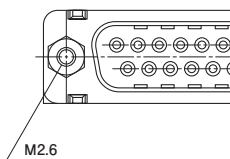
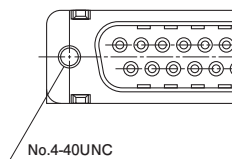
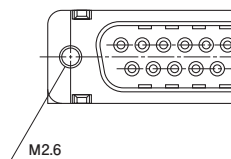
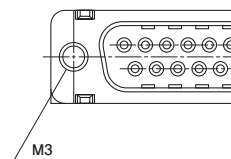
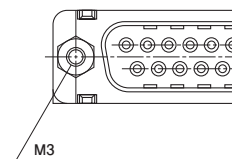
| Straight through-hole plug   |   | Type A  |                         |                 |       |      |     |          |           |
|--|---|---|-------------------------|-----------------|-------|------|-----|----------|-----------|
|  |   | <p>With hexagonal lock screw blocks (H: 6.3 mm) having a No.4-40UNC inch thread</p> |                         |                 |       |      |     |          |           |
| <p>H: Height of the lock screw block (for Types A, B &amp; J)</p>  |   |   |                         |                 |       |      |     |          |           |
| Circuits   | Dimension between flange and solder tail (mm) | Model No.   |                         | Dimensions (mm) |       |      |     | Q'ty/box |           |
|  |   | Gold-plated (flash) Plug  | Gold-plated 0.76 micron | A               | B     | C    | D   |          |           |
| 9  | 6   | JES-9P-2A**   | JES-9P-2A**14           | 16.90           | 24.99 | 30.8 | 2.4 | 100      |           |
|  | 9   | JES-9P-3A**   | JES-9P-3A**14           |                 |       |      |     |          |           |
|  | 12  | JES-9P-4A**   | JES-9P-4A**14           |                 |       |      |     |          |           |
| 25   | 6   | JBS-25P-2A**  | JBS-25P-2A**14          | 38.97           | 47.04 | 53.0 | 2.5 | 50       |           |
|  | 9   | JBS-25P-3A**  | JBS-25P-3A**14          |                 |       |      |     |          |           |
|  | 12  | JBS-25P-4A**  | JBS-25P-4A**14          |                 |       |      |     |          |           |
| <p><b>RoHS2 compliance</b> This product displays (LF)(SN) A on a label.<br/>           Note: ** shows the location where a two-digit code (see the table below for codes) should be entered. For example, if a 9-circuit gold-plated (flash) plug with hexagonal lock screw blocks having a No. 4-40UNC inch thread and with grounding adapters whose dimension between flange and solder tail is 6 mm is required, specify the model number as JES-9P-3A3A.</p> |   |   |                         |                 |       |      |     |          |           |
| <p>With grounding adapters with a spring lock device</p>   |   |   |                         |                 |       |      |     |          | <p>3A</p> |

# D SUBMINIATURE CONNECTOR J SERIES

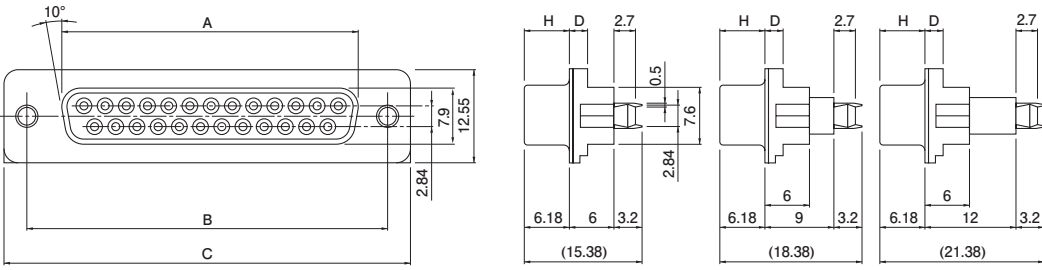

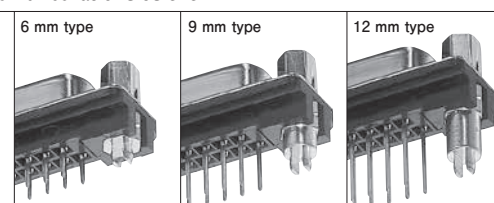
## Model number identification


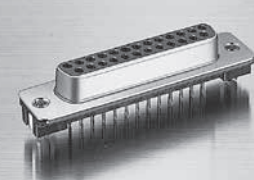
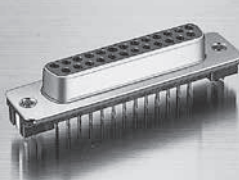


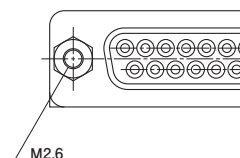
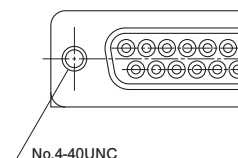
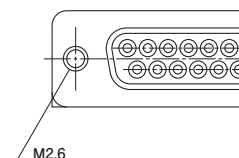
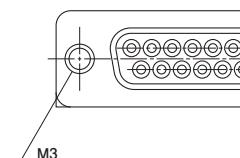
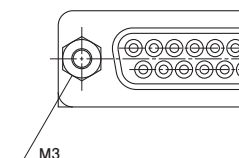
|  |   |   |        |        |   |   |    |    |
|--|---|---|--------|--------|---|---|----|----|
|  | J | B | S - 25 | P - 2A | 3 | F | 14 | S1 |
| <ul style="list-style-type: none"> <li>• Series name</li> <li>• Shell size: B, E</li> <li>• Wire connection type: S ... Straight through-hole type</li> <li>• Number of circuits: 9, 25</li> <li>• Connector type: P ... Plug, S ... Socket</li> <li>• Connector construction/ dimensions:<br/>2A ... 6 mm from flange to solder tail, 3A ... 9 mm from flange to solder tail, 4A ... 12 mm from flange to solder tail</li> <li>• Types of grounding adapter:<br/>3 ... Grounding adapter with a spring lock device (Cutting product), 7 ... Grounding adapter with a spring lock device (Stamping product)</li> <li>• Types of lock screw block:<br/>A ... With hexagonal lock screw blocks having a No. 4-40UNC inch thread<br/>B ... With hexagonal lock screw blocks having an M2.6 thread<br/>F ... Without lock screw blocks, but with grounding adapters having an No.4-40UNC inch thread<br/>G ... Without lock screw blocks, but with grounding adapters having an M2.6 thread<br/>H ... Without lock screw blocks, but with grounding adapters having an M3 thread<br/>J ... With hexagonal lock screw blocks having an M3 thread<br/>K ... Without lock screw blocks, spring lock (Bail lock) with shell</li> <li>• Finish of mating part<br/>Blank ... Gold-plated (flash)    14 ... 0.76 micron gold-plated    90 ... Tin-plated (reflow treatment)</li> <li>• Bail locks<br/>Blank...Without bail locks, S or S1...With bail locks (bent oval type), S2...With bail locks (with addition of spring characteristic, bent oval type), S3...With bail locks (with addition of spring characteristic, straight rhombic type), S5...With bail locks (with addition of spring characteristic, straight oval type), S6...With bail locks (with addition of spring characteristic, parallel oval type with shell)</li> </ul> |   |   |        |        |   |   |    |    |

Note: 1. In the J Series, the number of circuits is determined by the shell size: 9 circuits for E and 25 circuits for B.  
 2. Contact JST for special plating requirements.  
 3. Contact JST for the dimensions between the flange and solder tail other than those listed above.  
 4. Grounding adapters that can secure printed circuit boards are also available.  
 5. Contact JST for the Receptacle with spring lock devices. (Not UL/CSA approved.)

| Type B  | Type F   | Type G  | Type H   | Type J  |
|---|--|---|--|---|
|  |   |  |  |  |
| With hexagonal lock screw blocks (H: 6.3 mm) having an M2.6 thread                  | Without lock screw blocks<br>F, G, H: Grounding adapters have a thread (*1) for securing separately-purchased lock screw blocks (*2) |   |  | With hexagonal lock screw blocks (H: 6.3 mm) having an M3 thread                      |
|   | *1: No.4-40UNC inch thread<br>*2: Model number<br>SFS-4S-( )1W(M)  | *1: M2.6 thread<br>*2: Model number<br>SFS-2.6S-( )1W(M)                            | *1: M3 thread<br>*2: Model number<br>SFS-3S-( )1W(M)                                 |   |
|  |   |  |  |  |
| <b>3B</b>   | <b>3F</b>  | <b>3G</b>   | <b>3H</b>  | <b>3J</b>   |

# D SUBMINIATURE CONNECTOR J SERIES

| Straight through-hole socket / Standard product   |   |                            |                         |                | Type A   |       |      |     |          |          |   |           |  |  |                 |  |  |  |          |                            |                         |            |   |   |   |   |   |   |             |               |   |       |       |      |     |     |   |             |               |   |    |             |               |   |    |   |              |                |                |       |       |      |     |    |   |              |                |                |    |              |                |   |
|---|---|----------------------------|-------------------------|----------------|--|-------|------|-----|----------|----------|---|-----------|--|--|-----------------|--|--|--|----------|----------------------------|-------------------------|------------|---|---|---|---|---|---|-------------|---------------|---|-------|-------|------|-----|-----|---|-------------|---------------|---|----|-------------|---------------|---|----|---|--------------|----------------|----------------|-------|-------|------|-----|----|---|--------------|----------------|----------------|----|--------------|----------------|---|
|   |   |                            |                         |                |  <p>With hexagonal lock screw blocks (H:6.3 mm) having a No.4-40UNC inch thread</p> |       |      |     |          |          |   |           |  |  |                 |  |  |  |          |                            |                         |            |   |   |   |   |   |   |             |               |   |       |       |      |     |     |   |             |               |   |    |             |               |   |    |   |              |                |                |       |       |      |     |    |   |              |                |                |    |              |                |   |
| <p>H: Height of the lock screw block (for Types A, B &amp; J)</p> <table border="1"> <thead> <tr> <th rowspan="2">Circuits</th> <th rowspan="2">Dimension between flange and solder tail (mm)</th> <th colspan="3">Model No.</th> <th colspan="4">Dimensions (mm)</th> <th rowspan="2">Q'ty/box</th> </tr> <tr> <th>Gold-plated (flash) socket</th> <th>Gold-plated 0.76 micron</th> <th>Tin-plated</th> <th>A</th> <th>B</th> <th>C</th> <th>D</th> </tr> </thead> <tbody> <tr> <td rowspan="3">9</td> <td>6</td> <td>JES-9S-2A**</td> <td>JES-9S-2A**14</td> <td>—</td> <td rowspan="3">16.34</td> <td rowspan="3">24.99</td> <td rowspan="3">30.8</td> <td rowspan="3">2.4</td> <td rowspan="3">100</td> </tr> <tr> <td>9</td> <td>JES-9S-3A**</td> <td>JES-9S-3A**14</td> <td>—</td> </tr> <tr> <td>12</td> <td>JES-9S-4A**</td> <td>JES-9S-4A**14</td> <td>—</td> </tr> <tr> <td rowspan="3">25</td> <td>6</td> <td>JBS-25S-2A**</td> <td>JBS-25S-2A**14</td> <td>JBS-25S-2A**90</td> <td rowspan="3">38.38</td> <td rowspan="3">47.04</td> <td rowspan="3">53.0</td> <td rowspan="3">2.5</td> <td rowspan="3">50</td> </tr> <tr> <td>9</td> <td>JBS-25S-3A**</td> <td>JBS-25S-3A**14</td> <td>JBS-25S-3A**90</td> </tr> <tr> <td>12</td> <td>JBS-25S-4A**</td> <td>JBS-25S-4A**14</td> <td>—</td> </tr> </tbody> </table> <p>&lt;Gold-plated product&gt; RoHS2 compliance This product displays (LF)(SN) A on a label.<br/>                 &lt;Tin-plated product&gt; RoHS2 compliance This product displays (LF) A on a label.<br/>                 Note: ** shows the location where a two-digit code (see the table below for codes) should be entered. For example, if a 9-circuit gold-plated (flash) socket with hexagonal lock screw blocks having a No. 4-40UNC inch thread and with grounding adapters whose dimension between flange and solder tail is 6 mm is required, specify the model number as JES-9S-3A3A.</p> |   |                            |                         |                |  |       |      |     |          | Circuits | Dimension between flange and solder tail (mm) | Model No. |  |  | Dimensions (mm) |  |  |  | Q'ty/box | Gold-plated (flash) socket | Gold-plated 0.76 micron | Tin-plated | A | B | C | D | 9 | 6 | JES-9S-2A** | JES-9S-2A**14 | — | 16.34 | 24.99 | 30.8 | 2.4 | 100 | 9 | JES-9S-3A** | JES-9S-3A**14 | — | 12 | JES-9S-4A** | JES-9S-4A**14 | — | 25 | 6 | JBS-25S-2A** | JBS-25S-2A**14 | JBS-25S-2A**90 | 38.38 | 47.04 | 53.0 | 2.5 | 50 | 9 | JBS-25S-3A** | JBS-25S-3A**14 | JBS-25S-3A**90 | 12 | JBS-25S-4A** | JBS-25S-4A**14 | — |
| Circuits  | Dimension between flange and solder tail (mm) | Model No.                  |                         |                | Dimensions (mm)  |       |      |     | Q'ty/box |          |   |           |  |  |                 |  |  |  |          |                            |                         |            |   |   |   |   |   |   |             |               |   |       |       |      |     |     |   |             |               |   |    |             |               |   |    |   |              |                |                |       |       |      |     |    |   |              |                |                |    |              |                |   |
|   |   | Gold-plated (flash) socket | Gold-plated 0.76 micron | Tin-plated     | A  | B     | C    | D   |          |          |   |           |  |  |                 |  |  |  |          |                            |                         |            |   |   |   |   |   |   |             |               |   |       |       |      |     |     |   |             |               |   |    |             |               |   |    |   |              |                |                |       |       |      |     |    |   |              |                |                |    |              |                |   |
| 9   | 6   | JES-9S-2A**                | JES-9S-2A**14           | —              | 16.34  | 24.99 | 30.8 | 2.4 | 100      |          |   |           |  |  |                 |  |  |  |          |                            |                         |            |   |   |   |   |   |   |             |               |   |       |       |      |     |     |   |             |               |   |    |             |               |   |    |   |              |                |                |       |       |      |     |    |   |              |                |                |    |              |                |   |
|   | 9   | JES-9S-3A**                | JES-9S-3A**14           | —              |  |       |      |     |          |          |   |           |  |  |                 |  |  |  |          |                            |                         |            |   |   |   |   |   |   |             |               |   |       |       |      |     |     |   |             |               |   |    |             |               |   |    |   |              |                |                |       |       |      |     |    |   |              |                |                |    |              |                |   |
|   | 12  | JES-9S-4A**                | JES-9S-4A**14           | —              |  |       |      |     |          |          |   |           |  |  |                 |  |  |  |          |                            |                         |            |   |   |   |   |   |   |             |               |   |       |       |      |     |     |   |             |               |   |    |             |               |   |    |   |              |                |                |       |       |      |     |    |   |              |                |                |    |              |                |   |
| 25  | 6   | JBS-25S-2A**               | JBS-25S-2A**14          | JBS-25S-2A**90 | 38.38  | 47.04 | 53.0 | 2.5 | 50       |          |   |           |  |  |                 |  |  |  |          |                            |                         |            |   |   |   |   |   |   |             |               |   |       |       |      |     |     |   |             |               |   |    |             |               |   |    |   |              |                |                |       |       |      |     |    |   |              |                |                |    |              |                |   |
|   | 9   | JBS-25S-3A**               | JBS-25S-3A**14          | JBS-25S-3A**90 |  |       |      |     |          |          |   |           |  |  |                 |  |  |  |          |                            |                         |            |   |   |   |   |   |   |             |               |   |       |       |      |     |     |   |             |               |   |    |             |               |   |    |   |              |                |                |       |       |      |     |    |   |              |                |                |    |              |                |   |
|   | 12  | JBS-25S-4A**               | JBS-25S-4A**14          | —              |  |       |      |     |          |          |   |           |  |  |                 |  |  |  |          |                            |                         |            |   |   |   |   |   |   |             |               |   |       |       |      |     |     |   |             |               |   |    |             |               |   |    |   |              |                |                |       |       |      |     |    |   |              |                |                |    |              |                |   |
| <p>With grounding adapters with a spring lock device</p>  |   |                            |                         |                |  <p>6 mm type      9 mm type      12 mm type</p>                                   |       |      |     |          |          |   |           |  |  |                 |  |  |  |          |                            |                         |            |   |   |   |   |   |   |             |               |   |       |       |      |     |     |   |             |               |   |    |             |               |   |    |   |              |                |                |       |       |      |     |    |   |              |                |                |    |              |                |   |
|   |   |                            |                         |                | <h2>3A</h2>  |       |      |     |          |          |   |           |  |  |                 |  |  |  |          |                            |                         |            |   |   |   |   |   |   |             |               |   |       |       |      |     |     |   |             |               |   |    |             |               |   |    |   |              |                |                |       |       |      |     |    |   |              |                |                |    |              |                |   |

| Type B  | Type F  | Type G  | Type H   | Type J  |
|---|---|---|--|---|
|              |    |              |            |            |
| <p>With hexagonal lock screw blocks (H: 6.3 mm) having an M2.6 thread</p>                       | <p>Without lock screw blocks<br/>                     F, G, H: Grounding adapters have a thread (*1) for securing separately-purchased lock screw blocks (*2)</p> |   |  | <p>With hexagonal lock screw blocks (H: 6.3 mm) having an M3 thread</p>                         |
|   | <p>*1: No.4-40UNC inch thread<br/>                     *2: Model number SFS-4S-( )1W(M)</p>   | <p>*1: M2.6 thread<br/>                     *2: Model number SFS-2.6S-( )1W(M)</p>              | <p>*1: M3 thread<br/>                     *2: Model number SFS-3S-( )1W(M)</p>                 |   |
|  <p>M2.6</p> |  <p>No.4-40UNC</p>   |  <p>M2.6</p> |  <p>M3</p> |  <p>M3</p> |
| <h2>3B</h2>   | <h2>3F</h2>   | <h2>3G</h2>   | <h2>3H</h2> <p>Note: JBS-25S-2A3H is excluded</p>  | <h2>3J</h2>   |

# D SUBMINIATURE CONNECTOR J SERIES

| Straight through-hole socket / Bail locks with shell |   |                            |                 | Type K |    |          |
|--|---|----------------------------|-----------------|--------|----|----------|
|  |   |                            |                 |        |    |          |
|  |   |                            |                 |        |    |          |
| Circuits   | Dimension between flange and solder tail (mm) | Model No.                  | Dimensions (mm) |        |    | Q'ty/box |
|  |   | Gold-plated (flash) Socket | A               | B      | C  |          |
| 9  | 9   | JES-9S-3A7KS6              | 16.34           | 24.99  | 38 | 180      |
| 25   | 9   | JBS-25S-3A7KS6             | 38.38           | 47.04  | 60 | 108      |
| With grounding adapters with a spring lock device    |   |                            |                 |        |    |          |

## PC board layout (viewed from component side)

| <9 circuits> | <25 circuits> |
|--------------|---------------|
|              |               |

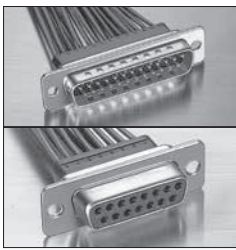
Note: 1. Tolerances are non-cumulative:  $\pm 0.05$  mm for all centers.  
 2. Hole dimensions differ according to the type of PC board and piercing method. The dimensions above should serve as a guideline. Contact JST for details.

## Panel layout

| Circuits | A $\pm 0.15$ | B $\pm 0.2$ | C $\pm 0.2$ |
|----------|--------------|-------------|-------------|
| 9        | 24.99        | 20.6        | 12.0        |
| 25       | 47.04        | 42.6        | 12.0        |

Note: The dimensions above should serve as a guideline. Contact JST for details.

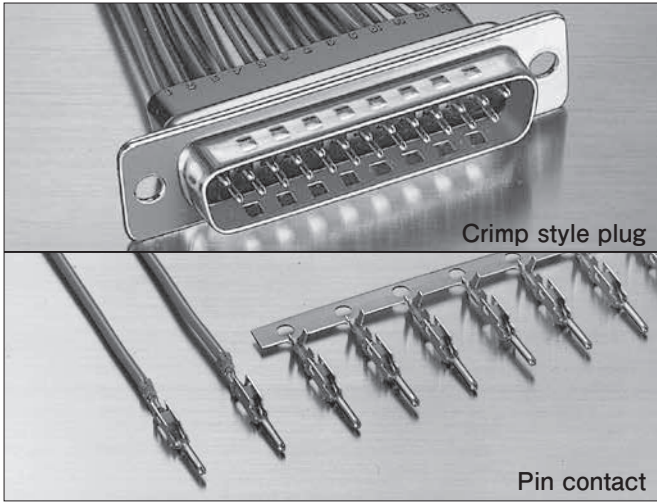




# D SUBMINIATURE CONNECTOR J SERIES

## Crimp style plug and socket

### CRIMP STYLE PLUG AND SOCKET



## Features

- The contacts of this plug are formed by high-speed stamping presses into continuous strips that can be automatically fed into our compact crimping machines. Much less time is required to assemble CRT and RS-232C round cables using this plug than when soldering connections.
- The contacts in this connector are selectively gold-plated. Moreover, JST's advanced technological knowledge and

experience are fully utilized to significantly reduce production costs.

- The dimples in the connector shell provide the ground connection and are important factors in preventing electromagnetic interference. The contact has a lance that can be visually checked during assembly. This assures accurate assembly and reduces defects.

## Specifications

### Materials

| Connector | Part name | Material and Finish   |
|-----------|-----------|---|
| Plug      | Contact   | Brass, gold-plated product:<br>Nickel-undercoated,<br>Mating part; gold-plated<br>Crimping part; tin-plated (reflow treatment)<br>tin-plated product: tin-plated (reflow treatment) |
|           | Insulator | Glass-filled PBT, UL94V-0, black  |
|           | Shell     | Steel, copper-undercoated, nickel-plated  |
| Socket    | Contact   | Phosphor bronze,<br>Nickel-undercoated,<br>Mating part; gold-plated<br>Crimping part; tin-plated (reflow treatment)   |
|           | Insulator | Glass-filled PBT, UL94V-0, black  |
|           | Shell     | Steel, copper-undercoated, nickel-plated  |

### Characteristics

|                       |   |
|-----------------------|---|
| Current rating        | 3 A AC/DC (2 A for 37 circuits) (AWG #20)                                     |
| Voltage rating        | 250 V AC/DC   |
| Temperature range     | -40°C to +85°C<br>(including temperature rise in applying electrical current) |
| Contact resistance    | Initial value/ 15 mΩ max.<br>After environmental tests/ 30 mΩ max.            |
| Insulation resistance | 5,000 MΩ min.   |
| Withstanding voltage  | 1,000 VAC/minute  |

Note: Contact JST for details.

## Standards

- Recognized E60389
- Certified LR20812

### Model number identification

#### Contact

J - S P 2 1 40

- Series name
- Product shape: S ... Chain
- Type of contact: P ... Pin contact, S ... Socket contact
- Applicable wire: 1 ... AWG #24 to #20, 2 ... AWG #28 to #24
- Material: 1 ... Brass (Pin contact), 3 ... Phosphor bronze (Socket contact)
- Finish: 40 ... Gold-plated (flash), 44 ... 0.76 micron gold-plated, 90 ... Tin-plated (reflow treatment)

Note: Contact JST for special plating requirements.

#### Housing

J - E C - 9 P - 3

- Series name
- Shell size: E, A, B, C
- Wire connection style: C ... crimp style
- Number of circuits: 9, 15, 25, 37
- Connector type: P ... Plug, S ... Socket
- Plating specification of shell: 3 ... nickel-plated

Note: The relationship between number of circuits and shell size is shown below.  
9: E, 15: A, 25: B, 37: C

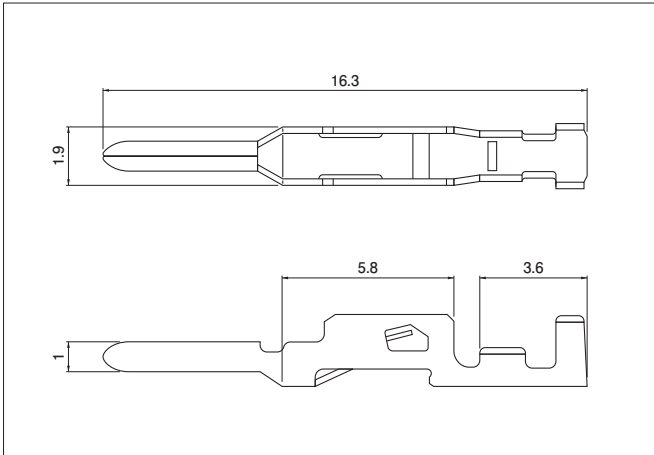
\* Refer to "General Instruction and Notice when using Terminals and Connectors" at the end of this catalog.

\* Contact JST for details.

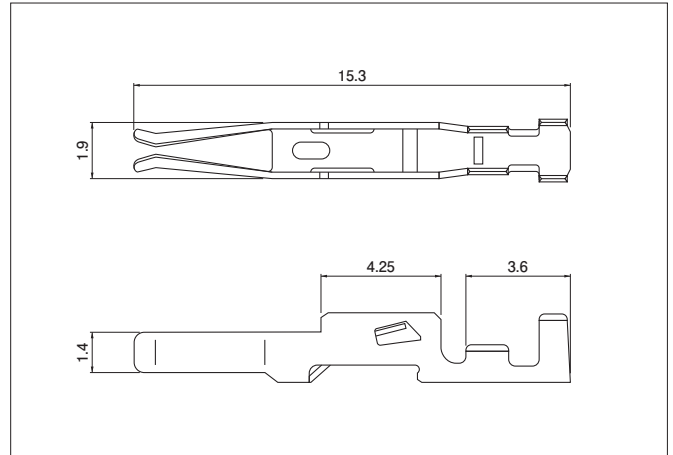
\* RoHS2 compliance

# D SUBMINIATURE CONNECTOR J SERIES

## Pin contact (for plug housing)



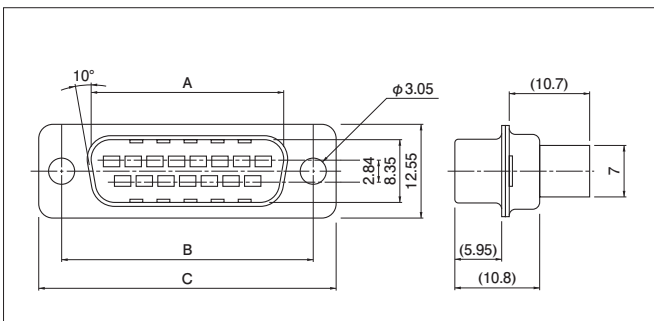
## Socket contact (for socket housing)



| Model No.   |            | Applicable wire |           | Q'ty/reel |
|-------------|------------|-----------------|-----------|-----------|
| Pin contact |            | Socket contact  | AWG #     |           |
| Gold-plated | Tin-plated | Gold-plated     |           | 10,000    |
| J-SP1140    | J-SP1190   | J-SS1340        | # 24~# 20 |           |
| J-SP2140    | J-SP2190   | J-SS2340        | # 28~# 24 |           |
|             |            |                 |           |           |

RoHS2 compliance Gold-plated products display (LF)(SN) on a label.

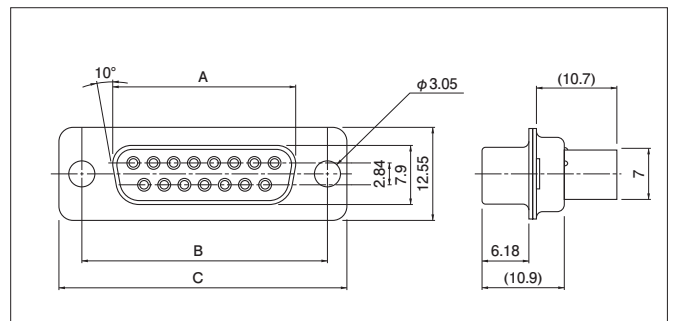
## Plug housing



| Circuits | Model No. | Dimensions (mm) |       |       | Q'ty/box |
|----------|-----------|-----------------|-------|-------|----------|
|          |           | A               | B     | C     |          |
| 9        | JEC-9P-3  | 16.92           | 24.99 | 30.80 | 100      |
| 15       | JAC-15P-3 | 25.25           | 33.32 | 39.14 | 100      |
| 25       | JBC-25P-3 | 38.97           | 47.04 | 53.04 | 50       |
| 37       | JCC-37P-3 | 55.43           | 63.50 | 69.32 | 50       |

RoHS2 compliance

## Socket housing



| Circuits | Model No. | Dimensions (mm) |       |       | Q'ty/box |
|----------|-----------|-----------------|-------|-------|----------|
|          |           | A               | B     | C     |          |
| 9        | JEC-9S-3  | 16.34           | 24.99 | 30.80 | 100      |
| 15       | JAC-15S-3 | 24.67           | 33.33 | 39.14 | 100      |
| 25       | JBC-25S-3 | 38.38           | 47.04 | 53.04 | 50       |

RoHS2 compliance

## Crimping machine, Applicator

| Contact  | Crimping machine | Applicator | Crimp applicator with dies |
|----------|------------------|------------|----------------------------|
| J-SP1*** | AP-K2N           | MKS-L      | APLMK J-SP/SS1             |
| J-SS1*** |                  |            | APLMK J-SP/SS1             |
| J-SP2*** |                  |            | APLMK J-SP/SS2             |
| J-SS2*** |                  |            | APLMK J-SP/SS2             |



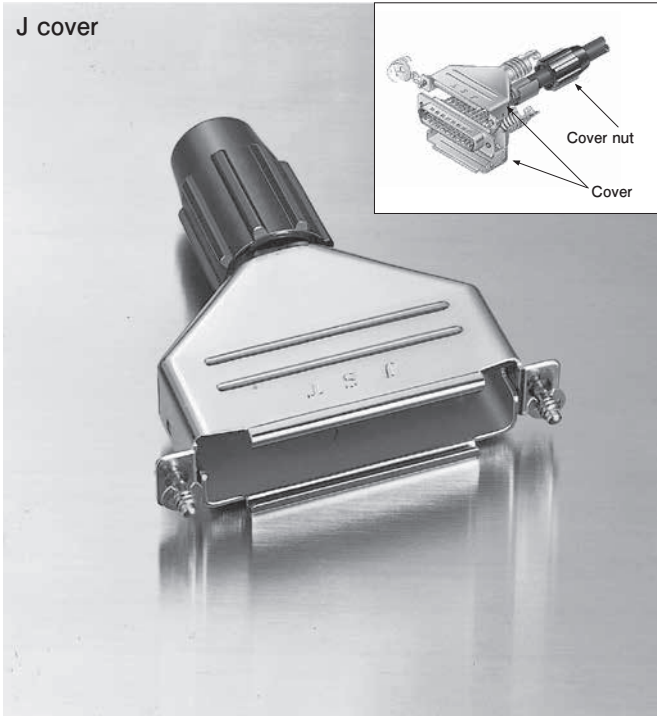
# D SUBMINIATURE CONNECTOR J & JK SERIES

Accessories/EMI prevention shielding cover (J cover)

## J COVER



J cover



## Features

- This shielding cover is made of steel, formed by our advanced stamping technology, and nickel-plated.
  - The box-shaped cover completely encloses such EMI radiating areas as the connections between the connector and wires. The result is a superior shielding effect.
  - To install the shielding cover, simply align and press the upper and lower cover elements, then tighten the nuts. It then securely grips the round cables.
  - This cover is so compact, light and sturdy, that it can be used to cover the connectors of any input/output cable. Moreover, it is attractive in appearance.
- \* Refer to "General Instruction and Notice when using Terminals and Connectors" at the end of this catalog.  
 \* Contact JST for details.  
 \* RoHS2 compliance

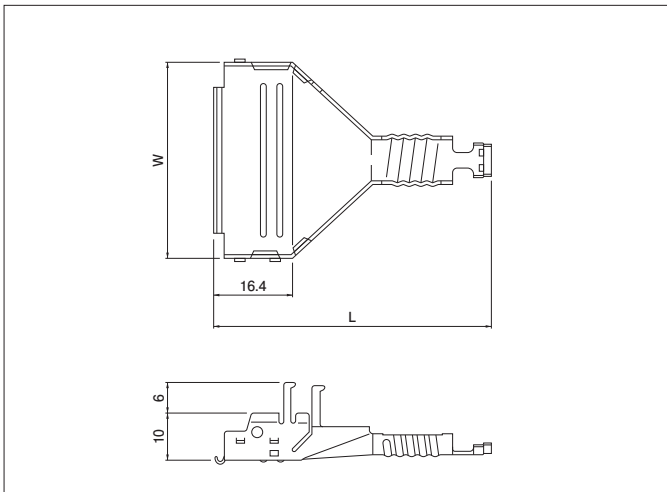
## Standards

Recognized E60389

### Applicable cable dimensions

| Circuits                  | J series  | 9  | 15        | 25 | 37         |
|---------------------------|-----------|----|-----------|----|------------|
|                           | JK series | 15 | —         | —  | —          |
| Cable outer diameter (mm) | 7.0 ± 0.2 |    | 8.0 ± 0.2 |    | 10.0 ± 0.2 |

## Shielding cover A

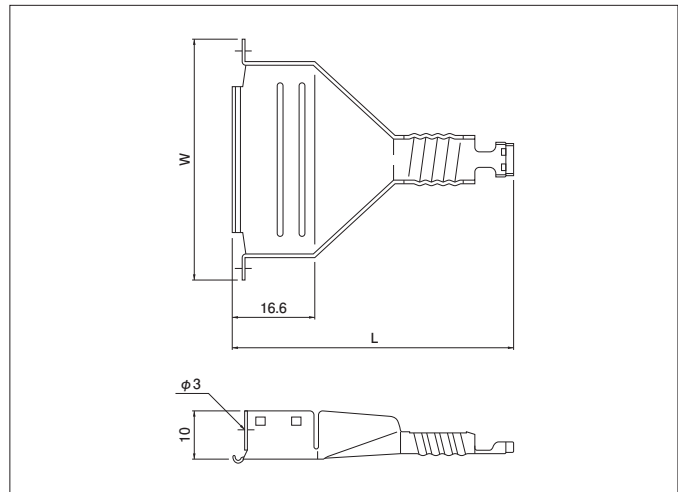


| J series |           | JK series |           | Dimensions (mm) |      | Q'ty/box |
|----------|-----------|-----------|-----------|-----------------|------|----------|
| Circuits | Model No. | Circuits  | Model No. | W               | L    |          |
| 9        | J-SC9A    | 15        | JK-SC15A  | 19.4            | 42.0 | 200      |
| 15       | J-SC15A   | —         | —         | 27.6            | 46.9 | 150      |
| 25       | J-SC25A   | —         | —         | 41.4            | 57.0 | 100      |
| 37       | J-SC37A   | —         | —         | 57.8            | 70.6 | 125      |

### Material and Finish

Steel, copper-undercoated, nickel-plated

## Shielding cover B



| Circuits |           | Model No. | Dimensions (mm) |        | Q'ty/box |
|----------|-----------|-----------|-----------------|--------|----------|
| J series | JK series |           | W               | L      |          |
| 9        | 15        | J-SC9B    | 30.0            | (42.0) | 200      |
| 15       | —         | J-SC15B   | 38.0            | (46.9) | 150      |
| 25       | —         | J-SC25B   | 52.0            | (57.0) | 150      |
| 37       | —         | J-SC37B   | 68.0            | (70.6) | 100      |

### Material and Finish

Steel, copper-undercoated, nickel-plated

### RoHS2 compliance

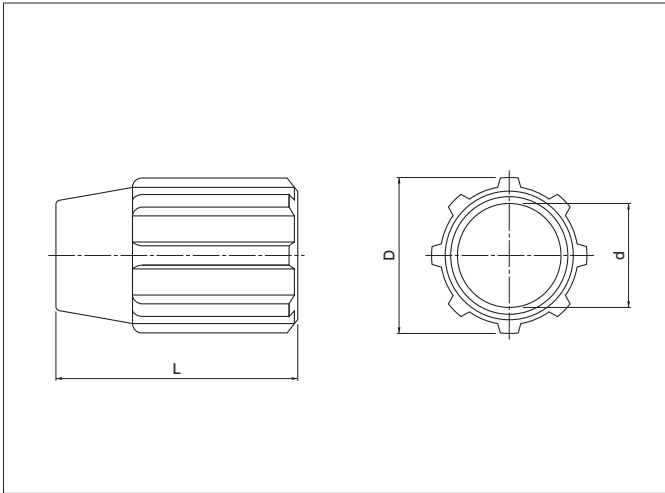
Note: The cover of the JK series 15-circuit connector is the same as that of the J series 9-circuit connector, except for the number of circuits indicated.

### RoHS2 compliance

Note: The cover of the JK series 15-circuit connector is the same as that of the J series 9-circuit connector.

# D SUBMINIATURE CONNECTOR J&JK SERIES

## Cover nut



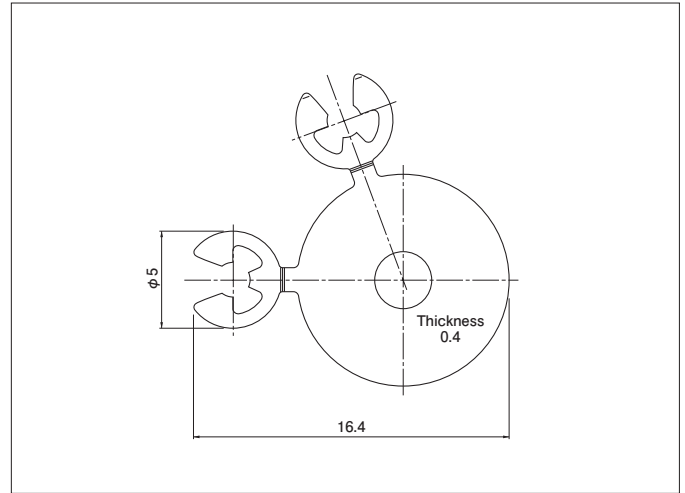
| Circuits | Model No.  | D    | d    | L    | Q'ty/box |
|----------|------------|------|------|------|----------|
| 9        | J-CN9 · 15 | 13.6 | 7.2  | 19.0 | 1,000    |
| 15       |            |      |      |      |          |
| 25       | J-CN25     | 16.4 | 8.4  | 25.0 | 1,000    |
| 37       | J-CN37     | 18.8 | 10.4 | 28.0 | 1,500    |

### Material

Glass-filled, PBT, UL94V-0, black

RoHS2 compliance

## E-ring



| Model No. | Q'ty/box |
|-----------|----------|
| J-ER      | 5,000    |

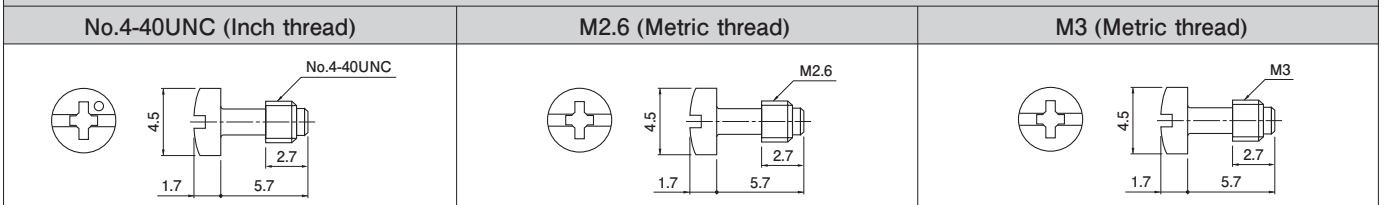
### Material

Stainless steel

### RoHS2 compliance

Note: The cover nuts, lock screws and E-rings are used with both the J and JK series connectors.

## Lock screw



| Type of screw            | Model No. | Q'ty/box |
|--------------------------|-----------|----------|
| No.4-40UNC (Inch thread) | J-SL-1C   | 5,000    |
| M2.6 (Metric thread)     | J-SL-2C   | 5,000    |
| M3 (Metric thread)       | J-SL-3C   | 5,000    |

### Material and Finish

Steel, copper-undercoated, nickel-plated

RoHS2 compliance

Use the following Model Nos. when ordering J-covers as a set.

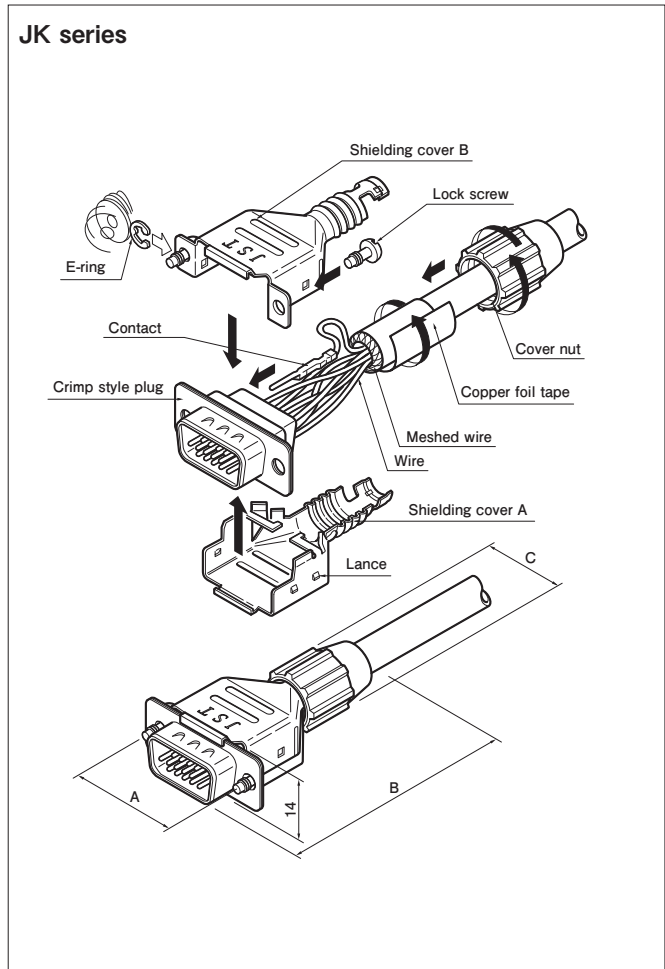
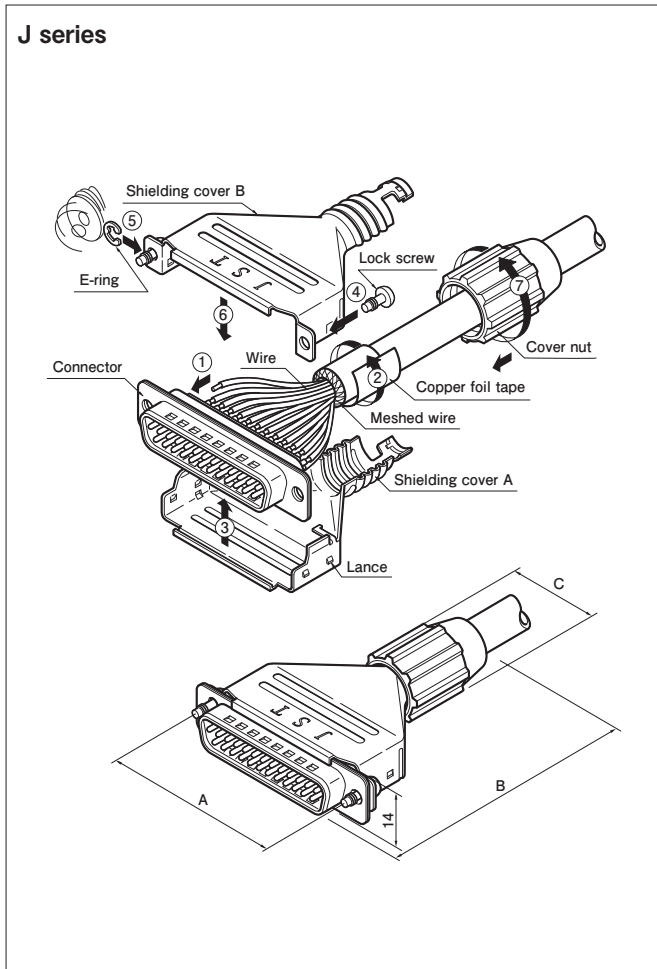
| J series |            | JK series |             | Parts in one set              | Q'ty/box |
|----------|------------|-----------|-------------|-------------------------------|----------|
| Circuits | Model No.  | Circuits  | Model No.   |                               |          |
| 9        | J-C9-( )C  | 15        | JK-C15-( )C | Shielding cover A ..... 1 pc. | 25       |
| 15       | J-C15-( )C | —         | —           | Shielding cover B ..... 1 pc. | 25       |
| 25       | J-C25-( )C | —         | —           | Cover nut ..... 1 pc.         | 20       |
| 37       | J-C37-( )C | —         | —           | Lock screw ..... 2 pcs.       | 10       |
|          |            |           |             | E-ring ..... 1 set            |          |

### RoHS2 compliance

Note: In the above lock screw model numbers, the number in parentheses indicates the type of screw-1: Inch thread (No.4-40UNC), 2: Metric thread (M2.6), 3: Metric thread (M3).

# D SUBMINIATURE CONNECTOR J&JK SERIES

## J-cover assembly procedure



### Assembly procedure

1. Connect wires to the connector by soldering or crimping.
2. Fold back the braided shielding wire along the outside insulation and wind the copper foil tape around the shielding wire.
3. Install the connector into shielding cover A.
4. Screw the lock screws onto shielding cover B.
5. Install the E-rings.
6. Align shielding cover B with shielding cover A and press shielding cover B until it engages the lances of shielding cover A.
7. Tighten the cover nut until the predetermined position is reached.

Note: For details of the J-cover assembly procedure, please refer to the processing specifications separately available. The shielding effect of the J-cover is critically dependent on proper assembly.

### Dimensions after assembly

| Circuits |           | Dimensions (mm) |        |      |
|----------|-----------|-----------------|--------|------|
| J series | JK series | A               | B      | C    |
| 9        | 15        | 24.99           | (49.0) | 13.6 |
| 15       | —         | 33.32           | (53.0) | 13.6 |
| 25       | —         | 47.04           | (64.5) | 16.4 |
| 37       | —         | 63.50           | (78.5) | 18.9 |



# D SUBMINIATURE CONNECTOR J&JK SERIES

Accessories/EMI prevention overmolding cover

## MOLD COVER



### Features

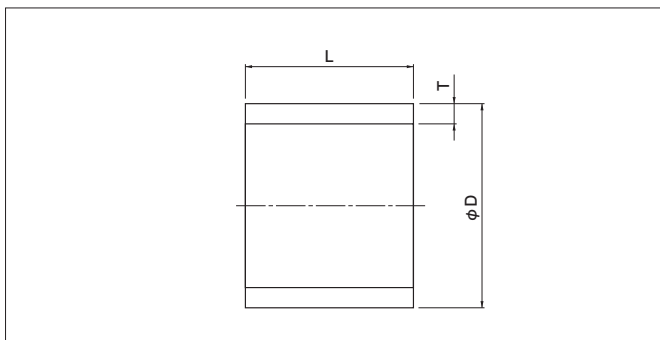
- This cover completely encloses all wire connections to the connector, and its braided wire crimp section ensures a reliable ground connection. The result is excellent shielding.
- This cover is sturdy enough to withstand the high pressure necessary during overmolding. It can thus be finish-molded directly.
- \* Refer to "General Instruction and Notice when using Terminals and Connectors" at the end of this catalog.
- \* Contact JST for details.
- \* RoHS2 compliance

### Applicable cable diameter

| Circuits |           | Cable O.D. (mm)     |
|----------|-----------|---------------------|
| J series | JK series |                     |
| 9        | 15        | 8.6 <sup>±0.2</sup> |
| 15       | —         | 7.6 <sup>±0.2</sup> |
| 25       | —         | 8.6 <sup>±0.2</sup> |

Note: Contact JST for cables other than those listed above.

## Ferrule



| Circuits |           | Ferrule | Dimensions (mm) |     |     |
|----------|-----------|---------|-----------------|-----|-----|
| J series | JK series |         | φD              | T   | L   |
| 9 · 25   | 15        | A       | 8.0             | 0.5 | 4.0 |
|          |           | B       | 11.3            | 0.6 | 8.0 |
| 15       | —         | A       | 7.0             | 0.5 | 4.0 |
|          |           | B       | 10.5            | 0.6 | 8.0 |

RoHS2 compliance

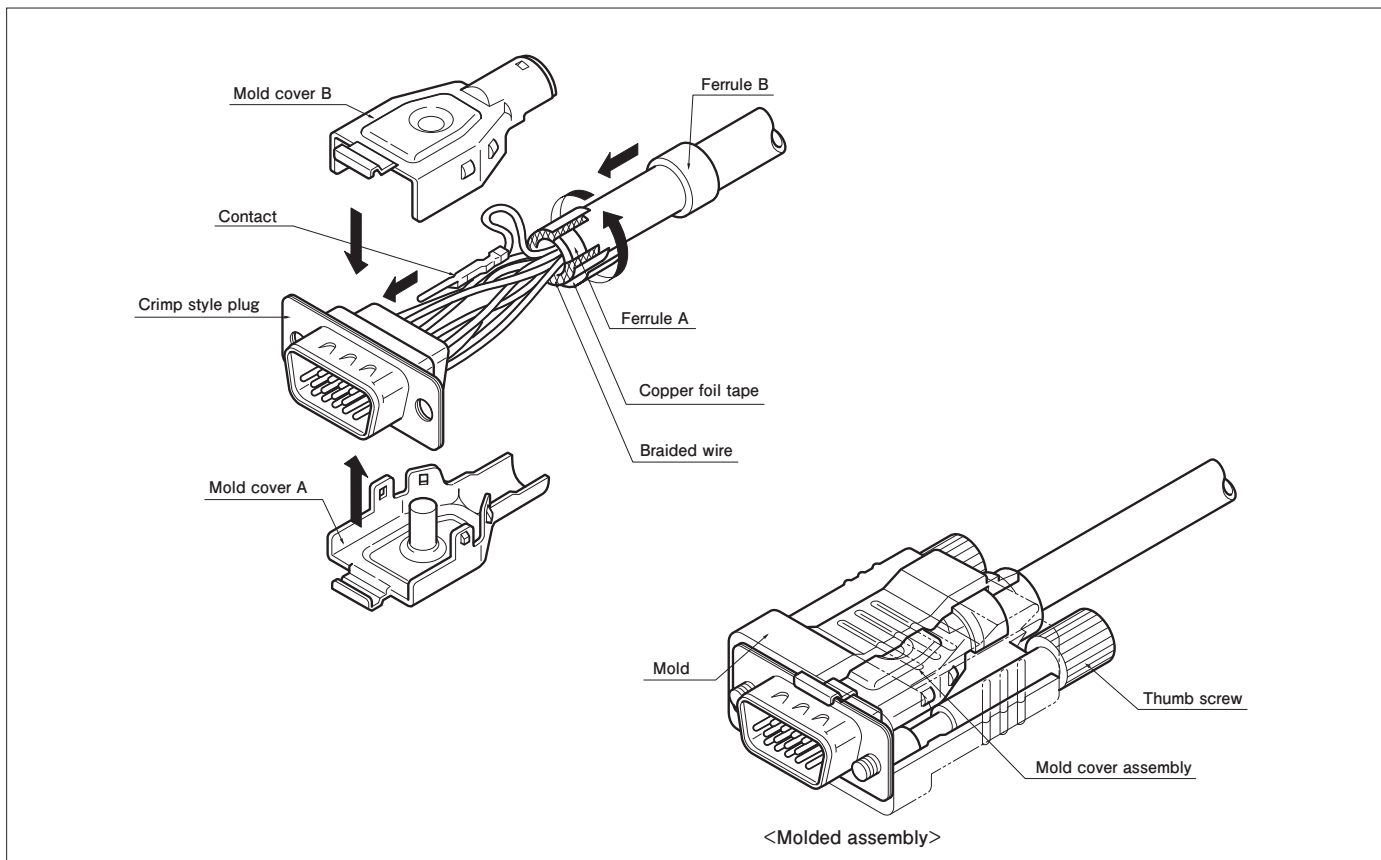
| Mold cover A   | Mold cover B   |
|--|--|
| <p>JK-MC15A-3<br/>J-MC15A</p>                        | <p>JK-MC15B-3<br/>J-MC15B</p>                        |
| <p>*Dimensions in ( ) are those for the J-MC15A.</p> | <p>*Dimensions in ( ) are those for the J-MC15B.</p> |

RoHS2 compliance



# D SUBMINIATURE CONNECTOR J&JK SERIES

## Mold cover assembly procedure



Note: Customers please prepare mold and thumb screws on your own.

### Assembly procedure

#### 1. Processing braided shielding wire

Pass the cable through ferrule B and remove the insulation at the end of the cable. Install ferrule A and fold back the braided shielding wire along the outside insulation. Then wind the copper foil tape around the shielding wire.

#### 3. Assembling the mold covers

Align mold cover B with mold cover A and press mold cover B until it engages the lances of mold cover A. Install ferrule B over the cable holding section of the cover assembly and crimp ferrule B. This completes the assembly.

#### 2. Connecting the wires to the contacts

Connect the wires to the contacts by crimping and insert the contacts into the housing.

| Circuits |           | Parts name   | Model No.     | Material and Finish                      | Q'ty/bag |
|----------|-----------|--------------|---------------|--|----------|
| J series | JK series |              |               |  |          |
| 9        | 15        | Mold cover A | JK-MC15A-3    | Steel, copper-undercoated, nickel-plated | 500      |
|          |           | Mold cover B | JK-MC15B-3    |  |          |
|          |           | Ferrule A    | JK-FL15A-8.0C | Copper, tin-plated                       | 1,000    |
|          |           | Ferrule B    | JK-FL15B-11.3 |  | 500      |
| 15       | -         | Mold cover A | J-MC15A       | Steel, copper-undercoated, nickel-plated | 200      |
|          |           | Mold cover B | J-MC15B       |  |          |
|          |           | Ferrule B    | J-FL15B-10.5  | Copper, tin-plated                       | 500      |

RoHS2 compliance

## Crimping machine, Applicator

| Contact       | Crimping machine | Applicator | Crimp applicator with dies |
|---------------|------------------|------------|----------------------------|
| JK-FL15B-11.3 | AP-K2N           | MKS-L-RG   | APLMK JK-MC15              |
| J-FL15B-10.5  |                  |            | APLSC JK-MC15              |




# D SUBMINIATURE CONNECTOR J·JH·JK&KH SERIES

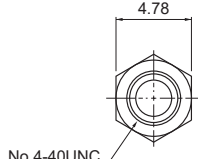
## Accessories/Lock screw block

A variety of accessories are available for the D subminiature connectors.

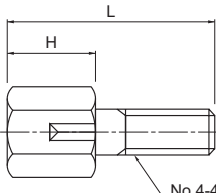
### LOCK SCREW BLOCK



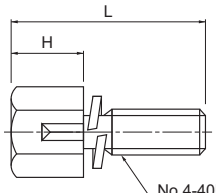
**Hexagonal lock screw block  
(inch thread: No.4-40UNC)**



No.4-40UNC



No.4-40UNC




No.4-40UNC

**Type A**

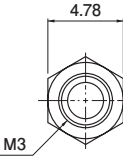
**Type B**  
Hexagonal lock screw &  
spring washer are integrated

| Dimension / Model No. | Applicable series                       | J series right angle through-hole type  | JK series right angle through-hole type | J series straight through-hole type | JH series right angle through-hole type | Dimension H (mm)       | Type | Attachment                                | Q'ty/box |
|-----------------------|---|---|---|-------------------------------------|---|------------------------|------|---|----------|
|                       | JK series right angle through-hole type | JH series right angle through-hole type | KH series right angle through-hole type |                                     |   |                        |      |   |          |
| Dimension L (mm)      |   | 13.1                                    | 15.0                                    | 10.0                                | 11.8                                    |                        |      |   |          |
| Model No.             | JFS-4S-C1N                              | KFS-4S-C1N                              | —                                       | —                                   | —                                       | 5.5                    | A    | Spring washer .. 1 pc.<br>Nut ..... 1 pc. | 2,000    |
|                       | JFS-4S-B1W                              | KFS-4S-B1W                              | SFS-4S-B1W                              | HFS-4S-B1W                          | 4.8                                     | Spring washer .. 1 pc. |      |   |          |
|                       | JFS-4S-C1W                              | KFS-4S-C1W                              | —                                       | —                                   | 5.5                                     | B                      | —    |   |          |
|                       | JFS-4S-B1WM                             | KFS-4S-B1WM                             | SFS-4S-B1WM                             | HFS-4S-B1WM                         | 4.8                                     |                        |      |   |          |
|                       | JFS-4S-C1WM                             | KFS-4S-C1WM                             | —                                       | HFS-4S-C1WM                         | 5.5                                     |                        |      |   |          |

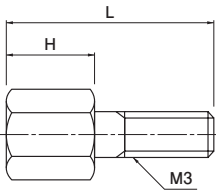
RoHS2 compliance



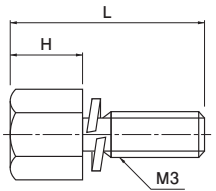
**Hexagonal lock screw block  
(metric thread: M3)**



M3



M3



M3


**Type A**

**Type B**  
Hexagonal lock screw &  
spring washer are integrated

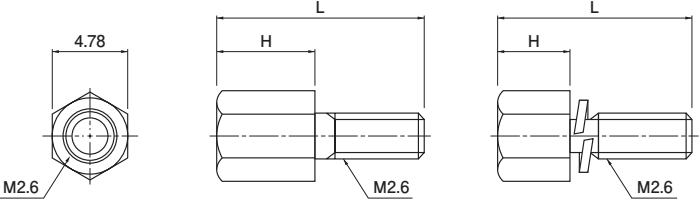
| Dimension/ Model No. | Applicable series                       | JK series right angle through-hole type | J series straight through-hole type | JH series right angle through-hole type | Dimension H (mm) | Type | Attachment             | Q'ty/box |
|----------------------|---|---|-------------------------------------|---|------------------|------|------------------------|----------|
|                      | KH series right angle through-hole type |   |                                     |   |                  |      |                        |          |
| Dimension L (mm)     |   | 15.0                                    | 10.0                                | 11.8                                    |                  |      |                        |          |
| Model No.            | —                                       | —                                       | SFS-3S-B1W                          | —                                       | 4.8              | A    | Spring washer .. 1 pc. | 2,000    |
|                      | —                                       | —                                       | SFS-3S-C1W                          | HFS-3S-C1W                              | 5.5              |      |                        |          |
|                      | —                                       | —                                       | —                                   | —                                       | 4.8              | B    | —                      |          |
|                      | KFS-3S-C1WM                             | —                                       | —                                   | —                                       | 5.5              |      |                        |          |

RoHS2 compliance

# D SUBMINIATURE CONNECTOR J·JH·JK&KH SERIES




**Hexagonal lock screw block  
(metric thread: M2.6)**



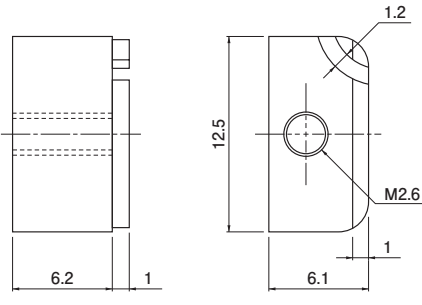
**Type A**                      **Type B**  
Hexagonal lock screw & spring washer are integrated

| Applicable series   | J series right angle through-hole type<br>JK series straight through-hole type | JK series right angle through-hole type | J series straight through-hole type | JH series right angle through-hole type<br>KH series right angle through-hole type | Dimension H (mm) | Type | Attachment                                | Q'ty/box |
|---------------------|--|---|-------------------------------------|--|------------------|------|---|----------|
| Dimension/Model No. | Dimension L (mm)   | 13.1                                    | 15.0                                | 10.0   |                  |      |   |          |
| Model No.           | JFS-2.6S-C1N   | —                                       | —                                   | —  | 5.5              | A    | Spring washer .. 1 pc.<br>Nut ..... 1 pc. | 2,000    |
|                     | JFS-2.6S-B1W   | KFS-2.6S-B1W                            | SFS-2.6S-B1W                        | —  | 4.8              |      | Spring washer .. 1 pc.                    |          |
|                     | JFS-2.6S-B1WM  | —                                       | SFS-2.6S-B1WM                       | HFS-2.6S-B1WM  | 4.8              | B    | —   |          |
|                     | JFS-2.6S-C1WM  | —                                       | SFS-2.6S-C1WM                       | —  | 5.5              |      |   |          |

RoHS2 compliance



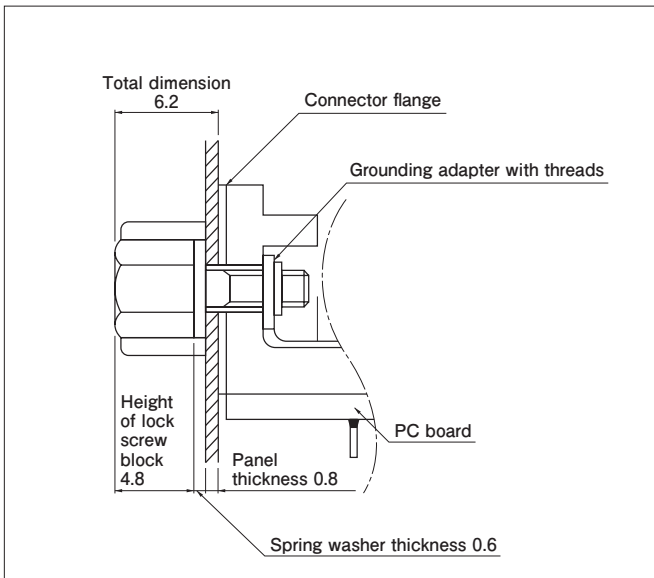
**Rectangular lock screw block  
(metric thread: M2.6)**



| Model No.  | Attachment   | Q'ty/box |
|------------|--|----------|
| JFS-2.6R-N | Spring washer ..... 1 pc.<br>Set screw ..... 1 pc. | 1,000    |

RoHS2 compliance

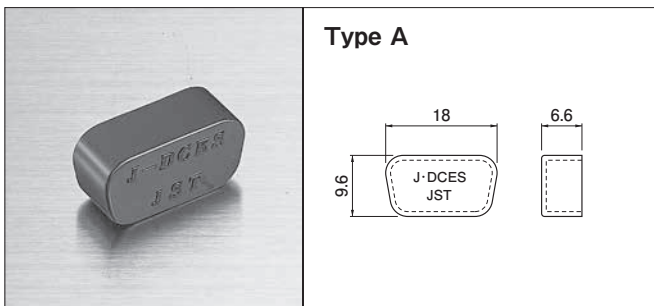
# D SUBMINIATURE CONNECTOR J·JH·JK&KH SERIES



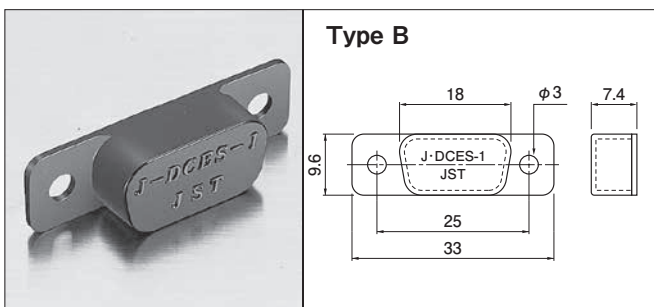
## Application examples of hexagonal lock screw blocks

- The resulting total dimension from the connector flange to the top of the hexagonal lock screw block must be 6.2 mm after assembly.
- The D subminiature connector can be installed on the Panel by simply tightening the hexagonal lock screw block together with grounding adapter, which has an identical thread to that of the F, G, and H types.

## DUST COVER (for receptacles)



Type A



Type B

| Type | Circuits |           | Model No. | Q'ty/box |
|------|----------|-----------|-----------|----------|
|      | J series | JK series |           |          |
| A    | 9        | 15        | J-DCES    | 1,000    |
| B    |          |           | J-DCES-1  |          |

### Material

PA, UL94V-0, black

RoHS2 compliance

## EXTRACTION TOOL



With this tool, contacts (connected to wires by crimping) can be easily removed if they are improperly inserted into plug and receptacle housings.

| Applicable Connector |            | Model No. |
|----------------------|------------|-----------|
| J series             |            | DEJ-0.3   |
| JK series            | Plug       | KEJ-0.7   |
|                      | Receptacle | KEJ-0.4   |