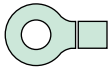
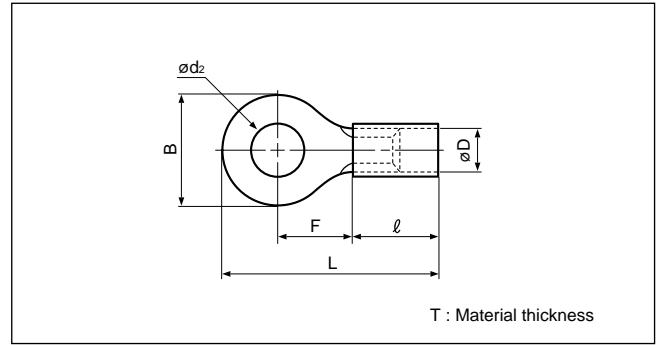
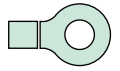


Solderless terminals



# RING TONGUE (R type) vinyl-insulated (straight)



Certificate No.: E42024 LR20812 JQ0608019  
JIS C 2805

| Applicable Wire<br>AWG#(mm <sup>2</sup> ) | Stud size |        | Part No.  |             | Standard | Dimensions mm (in.) |              |              |             |                |               |               | Color  | Tool No.                         | Qty/box |
|---|-----------|--------|-----------|-------------|----------|---------------------|--------------|--------------|-------------|----------------|---------------|---------------|--------|----------------------------------|---------|
|   | American  | Metric | JST       | JIS         |          | $\phi d_2$          | B            | L            | F           | $\ell$         | $\phi D$      | T             |        |                                  |         |
| 26 to 22<br>(0.2 to 0.5)                  | 1-2       | 2      | V0.5-2    |             |          | 2.2 (.087)          | 5.2 (.205)   | 16.4 (.646)  | 5.8 (.228)  | 8.0<br>(.315)  | 1.9<br>(.075) | 0.5<br>(.020) | Yellow | YNT-2622<br>YA-1<br>YA-2         | 1,000   |
|   | 3-4       | 3      | V0.5-3    |             |          | 3.2 (.126)          | 5.2 (.205)   | 16.4 (.646)  | 5.8 (.228)  |                |               |               |        |                                  |         |
|   | 5-6       | 3.5    | V0.5-3.7  |             |          | 3.7 (.146)          | 6.6 (.260)   | 19.0 (.748)  | 7.7 (.303)  |                |               |               |        |                                  |         |
|   | 8         | 4      | V0.5-4    |             |          | 4.3 (.169)          | 6.6 (.260)   | 19.0 (.748)  | 7.7 (.303)  |                |               |               |        |                                  |         |
|   | 10        | 5      | V0.5-5    |             |          | 5.3 (.209)          | 8.0 (.315)   | 19.0 (.748)  | 7.0 (.276)  |                |               |               |        |                                  |         |
| 22 to 16<br>(0.25 to 1.65)                | 1-2       | 2      | V1.25-2   |             |          | 2.2 (.087)          | 5.5 (.217)   | 15.7 (.618)  | 4.0 (.157)  | 9.0<br>(.354)  | 3.2<br>(.126) | 0.8<br>(.031) | Red    | YNT-2216<br>YA-1<br>YA-2<br>YA-4 | 1,000   |
|   | 3-4       | 3      | V1.25-3   | RAA1.25-3   |          | 3.2 (.126)          | 5.5 (.217)   | 15.7 (.618)  | 4.0 (.157)  |                |               |               |        |                                  |         |
|   | 3-4       | 3      | V1.25-MS3 |             |          | 3.2 (.126)          | 5.5 (.217)   | 17.4 (.685)  | 5.6 (.220)  |                |               |               |        |                                  |         |
|   | 3-4       | 3      | V1.25-L3  |             |          | 3.2 (.126)          | 8.0 (.315)   | 20.0 (.787)  | 7.0 (.276)  |                |               |               |        |                                  |         |
|   | 5-6       | 3.5    | V1.25-3.7 |             |          | 3.7 (.146)          | 5.5 (.217)   | 15.7 (.618)  | 4.0 (.157)  |                |               |               |        |                                  |         |
|   | 5-6       | 3.5    | V1.25-M3  | RAA1.25-3.5 |          | 3.7 (.146)          | 6.6 (.260)   | 18.6 (.732)  | 6.3 (.248)  |                |               |               |        |                                  |         |
|   | 8         | 4      | V1.25-M4  |             |          | 4.3 (.169)          | 6.6 (.260)   | 18.6 (.732)  | 6.3 (.248)  |                |               |               |        |                                  |         |
|   | 8         | 4      | V1.25-4   | RAA1.25-4   |          | 4.3 (.169)          | 8.0 (.315)   | 20.0 (.787)  | 7.0 (.276)  |                |               |               |        |                                  |         |
|   | 10        | 5      | V1.25-5NS |             |          | 5.3 (.209)          | 9.0 (.354)   | 24.6 (.969)  | 11.1 (.437) |                |               |               |        |                                  |         |
|   | 10        | 5      | V1.25-5   | RAA1.25-5   |          | 5.3 (.209)          | 8.0 (.315)   | 20.0 (.787)  | 7.0 (.276)  |                |               |               |        |                                  |         |
|   | 1/4       | 6      | V1.25-6   |             |          | 6.4 (.252)          | 11.6 (.457)  | 25.9 (1.020) | 11.1 (.437) |                |               |               |        |                                  |         |
|   | 5/16      | 8      | V1.25-8   |             |          | 8.4 (.331)          | 11.6 (.457)  | 25.9 (1.020) | 11.1 (.437) |                |               |               |        |                                  |         |
|   | 3/8       | 10     | V1.25-10  |             |          | 10.5 (.413)         | 13.6 (.535)  | 29.7 (1.169) | 13.9 (.547) |                |               |               |        |                                  |         |
| 16 to 14<br>(1.04 to 2.63)                | 1-2       | 2      | V2-S2     |             |          | 2.2 (.087)          | 6.4 (.252)   | 16.5 (.650)  | 4.3 (.169)  | 9.0<br>(.354)  | 3.9<br>(.154) | 0.8<br>(.031) | Blue   | YNT-1614<br>YA-1<br>YA-2<br>YA-4 | 1,000   |
|   | 3-4       | 3      | V2-MS3    |             |          | 3.2 (.126)          | 5.5 (.217)   | 17.4 (.685)  | 5.6 (.220)  |                |               |               |        |                                  |         |
|   | 3-4       | 3      | V2-S3.3   |             |          | 3.2 (.126)          | 6.4 (.252)   | 16.5 (.650)  | 4.3 (.169)  |                |               |               |        |                                  |         |
|   | 3-4       | 3      | V2-3      |             |          | 3.2 (.126)          | 8.5 (.335)   | 21.0 (.827)  | 7.8 (.307)  |                |               |               |        |                                  |         |
|   | 5-6       | 3.5    | V2-S3     |             |          | 3.7 (.146)          | 6.4 (.252)   | 16.5 (.650)  | 4.3 (.169)  |                |               |               |        |                                  |         |
|   | 5-6       | 3.5    | V2-M3     | RAA2-3.5    |          | 3.7 (.146)          | 6.6 (.260)   | 18.6 (.732)  | 6.3 (.248)  |                |               |               |        |                                  |         |
|   | 5-6       | 3.5    | V2-P3.5   |             |          | 3.7 (.146)          | 7.0 (.276)   | 20.2 (.780)  | 7.7 (.303)  |                |               |               |        |                                  |         |
|   | 8         | 4      | V2-M4     |             |          | 4.3 (.169)          | 6.6 (.260)   | 18.6 (.732)  | 6.3 (.248)  |                |               |               |        |                                  |         |
|   | 8         | 4      | V2-P4     |             |          | 4.3 (.169)          | 7.0 (.276)   | 20.2 (.800)  | 7.7 (.303)  |                |               |               |        |                                  |         |
|   | 8         | 4      | V2-4      | RAA2-4      |          | 4.3 (.169)          | 8.5 (.335)   | 21.0 (.827)  | 7.8 (.307)  |                |               |               |        |                                  |         |
|   | 10        | 5      | V2-M5     |             |          | 5.3 (.209)          | 8.5 (.335)   | 21.0 (.827)  | 7.8 (.307)  |                |               |               |        |                                  |         |
|   | 10        | 5      | V2-5NS    |             |          | 5.3 (.209)          | 9.0 (.354)   | 24.5 (.965)  | 11.0 (.433) |                |               |               |        |                                  |         |
|   | 10        | 5      | V2-5      | RAA2-5      |          | 5.3 (.209)          | 9.5 (.374)   | 21.0 (.827)  | 7.3 (.287)  |                |               |               |        |                                  |         |
|   | 1/4       | 6      | V2-6      | RAA2-6      |          | 6.4 (.252)          | 12.0 (.472)  | 26.0 (1.024) | 11.0 (.433) |                |               |               |        |                                  |         |
|   | 5/16      | 8      | V2-8      | RAA2-8      |          | 8.4 (.331)          | 12.0 (.472)  | 26.0 (1.024) | 11.0 (.433) |                |               |               |        |                                  |         |
|   | 3/8       | 10     | V2-10     |             |          | 10.5 (.413)         | 13.6 (.535)  | 29.7 (1.169) | 13.9 (.547) |                |               |               |        |                                  |         |
|   | 1/2       | 12     | V2-12     |             |          | 13.0 (.512)         | 19.0 (.748)  | 35.2 (1.386) | 16.7 (.657) |                |               |               |        |                                  |         |
|   | 1/2       | 14     | V2-14     |             |          | 15.0 (.591)         | 27.0 (1.063) | 43.7 (1.720) | 21.2 (.835) |                |               |               |        |                                  |         |
|   | 5/8       | 16     | V2-16     |             |          | 17.0 (.669)         | 27.0 (1.063) | 43.7 (1.720) | 21.2 (.835) |                |               |               |        |                                  |         |
|   | 3/4       | 20     | V2-20     |             |          | 21.0 (.827)         | 27.0 (1.063) | 43.7 (1.720) | 21.2 (.835) |                |               |               |        |                                  |         |
| 12 to 10<br>(2.63 to 6.64)                | 5-6       | 3.5    | V5.5-S3   |             |          | 3.7 (.146)          | 7.2 (.283)   | 23.0 (.906)  | 5.9 (.232)  | 13.5<br>(.531) | 5.4<br>(.213) | 1.0<br>(.039) | Yellow | YNT-1210S<br>YA-4                | 500     |
|   | 3-4       | 3      | V5.5-3    |             |          | 3.2 (.126)          | 9.5 (.374)   | 26.5 (1.043) | 8.3 (.327)  |                |               |               |        |                                  |         |
|   | 8         | 4      | V5.5-S4   |             |          | 4.3 (.169)          | 7.2 (.283)   | 23.0 (.906)  | 5.9 (.232)  |                |               |               |        |                                  |         |
|   | 8         | 4      | V5.5-4    | RAA5.5-4    |          | 4.3 (.169)          | 9.5 (.374)   | 26.5 (1.043) | 8.3 (.327)  |                |               |               |        |                                  |         |
|   | 10        | 5      | V5.5-5    | RAA5.5-5    |          | 5.3 (.209)          | 9.5 (.374)   | 26.5 (1.043) | 8.3 (.327)  |                |               |               |        |                                  |         |
|   | 10        | 5      | V5.5-S5   |             |          | 5.3 (.209)          | 13.2 (.520)  | 29.1 (1.146) | 9.0 (.354)  |                |               |               |        |                                  |         |
|   | 1/4       | 6      | V5.5-6    | RAA5.5-6    |          | 6.4 (.252)          | 12.0 (.472)  | 32.5 (1.280) | 13.0 (.512) |                |               |               |        |                                  |         |
|   | 1/4       | 6      | V5.5-S6   |             |          | 6.4 (.252)          | 13.2 (.520)  | 29.1 (1.146) | 9.0 (.354)  |                |               |               |        |                                  |         |
|   | 5/16      | 8      | V5.5-S8   |             |          | 8.4 (.331)          | 13.2 (.520)  | 29.1 (1.146) | 9.0 (.354)  |                |               |               |        |                                  |         |
|   | 5/16      | 8      | V5.5-8    | RAA5.5-8    |          | 8.4 (.331)          | 15.0 (.591)  | 34.7 (1.366) | 13.7 (.539) |                |               |               |        |                                  |         |
|   | 3/8       | 10     | V5.5-10   | RAA5.5-10   |          | 10.5 (.413)         | 15.0 (.591)  | 34.7 (1.366) | 13.7 (.539) |                |               |               |        |                                  |         |
|   | 1/2       | 12     | V5.5-12   |             |          | 13.0 (.512)         | 19.2 (.756)  | 39.1 (1.539) | 16.0 (.630) |                |               |               |        |                                  |         |
|   | 1/2       | 14     | V5.5-14   |             |          | 15.0 (.591)         | 32.0 (1.260) | 54.8 (2.157) | 25.3 (.996) |                |               |               |        |                                  |         |
|   | 5/8       | 16     | V5.5-16   |             |          | 17.0 (.669)         | 32.0 (1.260) | 54.8 (2.157) | 25.3 (.996) |                |               |               |        |                                  |         |
|   | 11/16     | 18     | V5.5-18   |             |          | 19.0 (.748)         | 32.0 (1.260) | 54.8 (2.157) | 25.3 (.996) |                |               |               |        |                                  |         |
|   | 3/4       | 20     | V5.5-20   |             |          | 21.0 (.827)         | 32.0 (1.260) | 54.8 (2.157) | 25.3 (.996) |                |               |               |        |                                  |         |

Note: 1) Products with the JIS mark conform to JIS C2805.

2) \*The crimping will be more secure if the total cross-sectional area of the wire is at least 0.5 mm<sup>2</sup>.

Examples: If the cross-sectional area of the wire is 0.3 mm<sup>2</sup>, fold the wire in two when crimping the terminal.

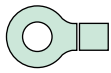
If the cross-sectional area of the wire is 0.5 mm<sup>2</sup>, crimp the terminal onto the wire as it is.

3) The part numbers indicated in the above table are for products with a brazed seam.

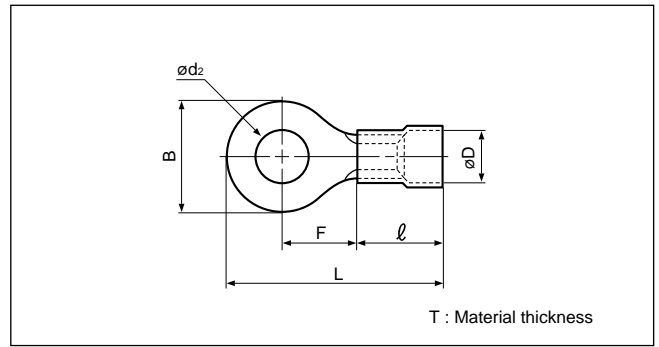
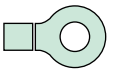
When ordering products with a butted seam, add the prefix "WS" to the part number (ex. V2-4 → VWS2-4).

4) Delivery lead times may vary depending on the product. Contact JST for details.

Solderless terminals



# RING TONGUE (R type) Vinyl-insulated (flared)



Certificate No.: E42024 LR20812 JQ0608019 JIS C 2805

| Applicable Wire<br>AWG#(mm <sup>2</sup> ) | Stud size |          | Part No.    |             | Standard    | Dimensions mm (in.) |             |             |             |                |               | Color         | Tool No. | Qty/box                          |       |
|---|-----------|----------|-------------|-------------|-------------|---------------------|-------------|-------------|-------------|----------------|---------------|---------------|----------|----------------------------------|-------|
|   | American  | Metric   | JST         | JIS         |             | $\phi d_2$          | B           | L           | F           | $\ell$         | $\phi D$      |               |          |                                  | T     |
| 26 to 22<br>(0.2 to 0.5)                  | 1-2       | 2        | FV0.5-2     |             |             | 2.2 (.087)          | 5.2 (.205)  | 16.4 (.646) | 5.8 (.228)  | 8.0<br>(.315)  | 2.9<br>(.114) | 0.5<br>(.020) | Yellow   | YNT-2622<br>YA-1<br>YA-2         | 1,000 |
|   | 3-4       | 3        | FV0.5-3     |             |             | 3.2 (.126)          | 5.2 (.205)  | 16.4 (.646) | 5.8 (.228)  |                |               |               |          |                                  |       |
|   | 5-6       | 3.5      | FV0.5-3.7   |             |             | 3.7 (.146)          | 6.6 (.260)  | 19.0 (.748) | 7.7 (.303)  |                |               |               |          |                                  |       |
|   | 8         | 4        | FV0.5-4     |             |             | 4.3 (.169)          | 6.6 (.260)  | 19.0 (.748) | 7.7 (.303)  |                |               |               |          |                                  |       |
|   | 10        | 5        | FV0.5-5     |             |             | 5.3 (.209)          | 8.0 (.315)  | 19.0 (.748) | 7.0 (.276)  |                |               |               |          |                                  |       |
| 22 to 16<br>(*0.25 to<br>1.65)            | 1-2       | 2        | FV1.25-2    |             |             | 2.2 (.087)          | 5.5 (.217)  | 15.7 (.618) | 4.0 (.157)  | 9.0<br>(.354)  | 4.0<br>(.157) | 0.8<br>(.031) | Red      | YNT-2216<br>YA-1<br>YA-2<br>YA-4 | 1,000 |
|   | 3-4       | 3        | FV1.25-3    | RBA1.25-3   |             | 3.2 (.126)          | 5.5 (.217)  | 15.7 (.618) | 4.0 (.157)  |                |               |               |          |                                  |       |
|   | 3-4       | 3        | FV1.25-MS3  |             |             | 3.2 (.126)          | 5.5 (.217)  | 17.4 (.685) | 5.6 (.220)  |                |               |               |          |                                  |       |
|   | 3-4       | 3        | FV1.25-L3   |             |             | 3.2 (.126)          | 8.0 (.315)  | 20.0 (.787) | 7.0 (.276)  |                |               |               |          |                                  |       |
|   | 5-6       | 3.5      | FV1.25-3.7  |             |             | 3.7 (.146)          | 5.5 (.217)  | 15.7 (.618) | 4.0 (.157)  |                |               |               |          |                                  |       |
|   | 5-6       | 3.5      | FV1.25-M3   | RBA1.25-3.5 |             | 3.7 (.146)          | 6.6 (.260)  | 18.6 (.732) | 6.3 (.248)  |                |               |               |          |                                  |       |
|   | 8         | 4        | FV1.25-M4   |             |             | 4.3 (.169)          | 6.6 (.260)  | 18.6 (.732) | 6.3 (.248)  |                |               |               |          |                                  |       |
|   | 8         | 4        | FV1.25-4    | RBA1.25-4   |             | 4.3 (.169)          | 8.0 (.315)  | 20.0 (.787) | 7.0 (.276)  |                |               |               |          |                                  |       |
|   | 10        | 5        | FV1.25-5    | RBA1.25-5   |             | 5.3 (.209)          | 8.0 (.315)  | 20.0 (.787) | 7.0 (.276)  |                |               |               |          |                                  |       |
|   | 1/4       | 6        | FV1.25-6    |             |             | 6.4 (.252)          | 11.6 (.457) | 25.9(1.020) | 11.1 (.437) |                |               |               |          |                                  |       |
|   | 5/16      | 8        | FV1.25-8    |             |             | 8.4 (.331)          | 11.6 (.457) | 25.9(1.020) | 11.1 (.437) |                |               |               |          |                                  |       |
| 16 to 14<br>(1.04 to<br>2.63)             | 1-2       | 2        | FV2-S2      |             |             | 2.2 (.087)          | 6.4 (.252)  | 16.5 (.650) | 4.3 (.169)  | 9.0<br>(.354)  | 4.5<br>(.177) | 0.8<br>(.031) | Blue     | YNT-1614<br>YA-1<br>YA-2<br>YA-4 | 1,000 |
|   | 3-4       | 3        | FV2-MS3     |             |             | 3.2 (.126)          | 5.5 (.217)  | 17.4 (.685) | 5.6 (.220)  |                |               |               |          |                                  |       |
|   | 3-4       | 3        | FV2-S3.3    |             |             | 3.2 (.126)          | 6.4 (.252)  | 16.5 (.650) | 4.3 (.169)  |                |               |               |          |                                  |       |
|   | 3-4       | 3        | FV2-3       |             |             | 3.2 (.126)          | 8.5 (.335)  | 21.0 (.827) | 7.8 (.307)  |                |               |               |          |                                  |       |
|   | 5-6       | 3.5      | FV2-S3      |             |             | 3.7 (.146)          | 6.4 (.252)  | 16.5 (.650) | 4.3 (.169)  |                |               |               |          |                                  |       |
|   | 5-6       | 3.5      | FV2-M3      | RBA2-3.5    |             | 3.7 (.146)          | 6.6 (.260)  | 18.6 (.732) | 6.3 (.248)  |                |               |               |          |                                  |       |
|   | 5-6       | 3.5      | FV2-P3.5    |             |             | 3.7 (.146)          | 7.0 (.276)  | 20.2 (.780) | 7.7 (.303)  |                |               |               |          |                                  |       |
|   | 8         | 4        | FV2-M4      |             |             | 4.3 (.169)          | 6.6 (.260)  | 18.6 (.732) | 6.3 (.248)  |                |               |               |          |                                  |       |
|   | 8         | 4        | FV2-P4      |             |             | 4.3 (.169)          | 7.0 (.276)  | 20.2 (.800) | 7.7 (.303)  |                |               |               |          |                                  |       |
|   | 8         | 4        | FV2-4       | RBA2-4      |             | 4.3 (.169)          | 8.5 (.335)  | 21.0 (.827) | 7.8 (.307)  |                |               |               |          |                                  |       |
|   | 10        | 5        | FV2-M5      |             |             | 5.3 (.209)          | 8.5 (.335)  | 21.0 (.827) | 7.8 (.307)  |                |               |               |          |                                  |       |
|   | 10        | 5        | FV2-5       | RBA2-5      |             | 5.3 (.209)          | 9.5 (.374)  | 21.0 (.827) | 7.3 (.287)  |                |               |               |          |                                  |       |
|   | 1/4       | 6        | FV2-6       | RBA2-6      |             | 6.4 (.252)          | 12.0 (.472) | 26.0(1.024) | 11.0 (.433) |                |               |               |          |                                  |       |
|   | 5/16      | 8        | FV2-8       | RBA2-8      |             | 8.4 (.331)          | 12.0 (.472) | 26.0(1.024) | 11.0 (.433) |                |               |               |          |                                  |       |
|   | 3/8       | 10       | FV2-10      |             |             | 10.5 (.413)         | 13.6 (.535) | 29.7(1.169) | 13.9 (.547) |                |               |               |          |                                  |       |
|   | 1/2       | 12       | FV2-12      |             |             | 13.0 (.512)         | 19.0 (.748) | 35.2(1.386) | 16.7 (.657) |                |               |               |          |                                  |       |
|   | 1/2       | 14       | FV2-14      |             |             | 15.0 (.591)         | 27.0(1.063) | 43.7(1.720) | 21.2 (.835) |                |               |               |          |                                  |       |
| 5/8                                       | 16        | FV2-16   |             | 17.0 (.669) | 27.0(1.063) | 43.7(1.720)         | 21.2 (.835) |             |             |                |               |               |          |                                  |       |
| 3/4                                       | 20        | FV2-20   |             | 21.0 (.827) | 27.0(1.063) | 43.7(1.720)         | 21.2 (.835) |             |             |                |               |               |          |                                  |       |
| 12 to 10<br>(2.63 to<br>6.64)             | 3-4       | 3        | FV5.5-S3.3  |             |             | 3.2 (.126)          | 7.2 (.283)  | 23.0 (.906) | 5.9 (.232)  | 13.5<br>(.531) | 6.8<br>(.268) | 1.0<br>(.039) | Yellow   | YNT-1210S<br>YA-4                | 500   |
|   | 3-4       | 3        | FV5.5-3     |             |             | 3.2 (.126)          | 9.5 (.374)  | 26.5(1.403) | 8.3 (.327)  |                |               |               |          |                                  |       |
|   | 5-6       | 3.5      | FV5.5-S3    |             |             | 3.7 (.146)          | 7.2 (.283)  | 23.0 (.906) | 5.9 (.232)  |                |               |               |          |                                  |       |
|   | 5-6       | 3.5      | FV5.5-3.7NS |             |             | 3.7 (.146)          | 7.2 (.283)  | 29.2(1.149) | 11.0 (.433) |                |               |               |          |                                  |       |
|   | 8         | 4        | FV5.5-S4    |             |             | 4.3 (.169)          | 7.2 (.283)  | 23.0 (.906) | 5.9 (.232)  |                |               |               |          |                                  |       |
|   | 8         | 4        | FV5.5-4     | RBA5.5-4    |             | 4.3 (.169)          | 9.5 (.374)  | 26.5(1.043) | 8.3 (.327)  |                |               |               |          |                                  |       |
|   | 10        | 5        | FV5.5-5     | RBA5.5-5    |             | 5.3 (.209)          | 9.5 (.374)  | 26.5(1.043) | 8.3 (.327)  |                |               |               |          |                                  |       |
|   | 10        | 5        | FV5.5-S5    |             |             | 5.3 (.209)          | 13.2 (.520) | 29.1(1.146) | 9.0 (.354)  |                |               |               |          |                                  |       |
|   | 1/4       | 6        | FV5.5-6     | RBA5.5-6    |             | 6.4 (.252)          | 12.0 (.472) | 32.5(1.280) | 13.0 (.512) |                |               |               |          |                                  |       |
|   | 1/4       | 6        | FV5.5-S6    |             |             | 6.4 (.252)          | 13.2 (.520) | 29.1(1.146) | 9.0 (.354)  |                |               |               |          |                                  |       |
|   | 5/16      | 8        | FV5.5-S8    |             |             | 8.4 (.331)          | 13.2 (.520) | 29.1(1.146) | 9.0 (.354)  |                |               |               |          |                                  |       |
|   | 5/16      | 8        | FV5.5-8     | RBA5.5-8    |             | 8.4 (.331)          | 15.0 (.591) | 34.7(1.366) | 13.7 (.539) |                |               |               |          |                                  |       |
|   | 3/8       | 10       | FV5.5-10    | RBA5.5-10   |             | 10.5 (.413)         | 15.0 (.591) | 34.7(1.366) | 13.7 (.539) |                |               |               |          |                                  |       |
|   | 1/2       | 12       | FV5.5-12    |             |             | 13.0 (.512)         | 19.2 (.756) | 39.1(1.539) | 16.0 (.630) |                |               |               |          |                                  |       |
|   | 1/2       | 14       | FV5.5-14    |             |             | 15.0 (.591)         | 32.0(1.260) | 54.8(2.157) | 25.3 (.996) |                |               |               |          |                                  |       |
|   | 5/8       | 16       | FV5.5-16    |             |             | 17.0 (.669)         | 32.0(1.260) | 54.8(2.157) | 25.3 (.996) |                |               |               |          |                                  |       |
|   | 11/16     | 18       | FV5.5-18    |             |             | 19.0 (.748)         | 32.0(1.260) | 54.8(2.157) | 25.3 (.996) |                |               |               |          |                                  |       |
| 3/4                                       | 20        | FV5.5-20 |             | 21.0 (.827) | 32.0(1.260) | 54.8(2.157)         | 25.3 (.996) |             |             |                |               |               |          |                                  |       |

Note: 1) Products with the JIS mark conform to JIS C2805.

2) \*The crimping will be more secure if the total cross-sectional area of the wire is at least 0.5 mm<sup>2</sup>.

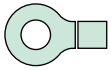
Examples: If the cross-sectional area of the wire is 0.3 mm<sup>2</sup>, fold the wire in two when crimping the terminal.  
If the cross-sectional area of the wire is 0.5 mm<sup>2</sup>, crimp the terminal onto the wire as it is.

3) The part numbers indicated in the above table are for products with a brazed seam.

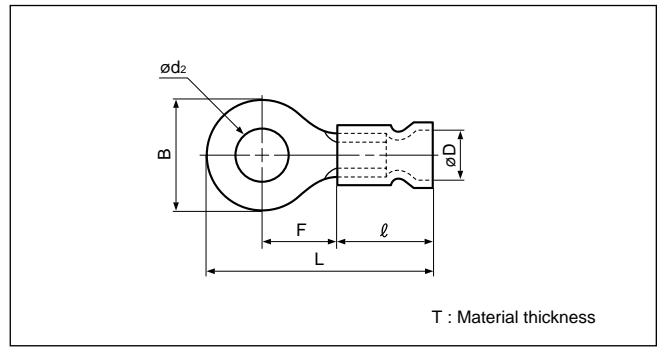
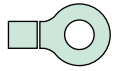
When ordering products with a butted seam, add the prefix "WS" to the part number (ex. FV2-4 → **FVWS2-4**).

4) Delivery lead times may vary depending on the product. Contact JST for details.

Solderless terminals



**RING TONGUE (R type) vinyl-insulated (funnel-entry)**



Certificate No.: E42024 LR20812

| Applicable Wire<br>AWG# (mm <sup>2</sup> ) | Stud size |        | Part No.    | Standard | Dimensions mm (in.) |             |             |             |                |               |               | Color  | Tool No.                         | Qty/box |
|--|-----------|--------|-------------|----------|---------------------|-------------|-------------|-------------|----------------|---------------|---------------|--------|----------------------------------|---------|
|  | American  | Metric |             |          | $\phi d_2$          | B           | L           | F           | $\ell$         | $\phi D$      | T             |        |                                  |         |
| 22 to 16<br>(0.25 to 1.65)                 | 3-4       | 3      | FVX1.25-3   |          | 3.2 (.126)          | 5.5 (.217)  | 17.5 (.689) | 4.0 (.157)  | 10.8<br>(.425) | 4.0<br>(.157) | 0.8<br>(.031) | Red    | YNT-2216<br>YA-1<br>YA-2<br>YA-4 | 1,000   |
|  | 3-4       | 3      | FVX1.25-MS3 |          | 3.2 (.126)          | 5.5 (.217)  | 19.2 (.756) | 5.6 (.221)  |                |               |               |        |                                  |         |
|  | 5-6       | 3.5    | FVX1.25-M3  |          | 3.7 (.146)          | 6.6 (.260)  | 20.4 (.803) | 6.3 (.248)  |                |               |               |        |                                  |         |
|  | 8         | 4      | FVX1.25-M4  |          | 4.3 (.169)          | 6.6 (.260)  | 20.4 (.803) | 6.3 (.248)  |                |               |               |        |                                  |         |
|  | 8         | 4      | FVX1.25-4   |          | 4.3 (.169)          | 8.0 (.315)  | 21.8 (.858) | 7.0 (.276)  |                |               |               |        |                                  |         |
|  | 10        | 5      | FVX1.25-5   |          | 5.3 (.209)          | 8.0 (.315)  | 21.8 (.858) | 7.0 (.276)  |                |               |               |        |                                  |         |
| 16 to 14<br>(1.04 to 2.63)                 | 3-4       | 3      | FVX2-MS3    |          | 3.2 (.126)          | 5.5 (.217)  | 19.2 (.756) | 5.6 (.221)  | 10.8<br>(.425) | 4.6<br>(.181) | 0.8<br>(.031) | Blue   | YNT-1614<br>YA-1<br>YA-2<br>YA-4 | 1,000   |
|  | 5-6       | 3.5    | FVX2-S3     |          | 3.7 (.146)          | 6.4 (.252)  | 18.3 (.720) | 4.3 (.169)  |                |               |               |        |                                  |         |
|  | 5-6       | 3.5    | FVX2-M3     |          | 3.7 (.146)          | 6.6 (.260)  | 20.4 (.803) | 6.3 (.248)  |                |               |               |        |                                  |         |
|  | 8         | 4      | FVX2-M4     |          | 4.3 (.169)          | 6.6 (.260)  | 20.4 (.803) | 6.3 (.248)  |                |               |               |        |                                  |         |
|  | 8         | 4      | FVX2-4      |          | 4.3 (.169)          | 8.5 (.335)  | 22.8 (.898) | 7.8 (.307)  |                |               |               |        |                                  |         |
|  | 10        | 5      | FVX2-5      |          | 5.3 (.209)          | 9.5 (.374)  | 22.8 (.898) | 7.3 (.287)  |                |               |               |        |                                  |         |
|  | 1/4       | 6      | FVX2-6      |          | 6.4 (.252)          | 12.0 (.472) | 27.8(1.094) | 11.0 (.433) |                |               |               |        |                                  |         |
| 12 to 10<br>(2.63 to 6.64)                 | 3-4       | 3      | FVX5.5-3    |          | 3.2 (.126)          | 9.5 (.374)  | 27.0(1.063) | 8.3 (.327)  | 14.0<br>(.551) | 6.8<br>(.268) | 1.0<br>(.039) | Yellow | YNT-1210S<br>YA-4                | 500     |
|  | 10        | 5      | FVX5.5-S5   |          | 5.3 (.209)          | 13.2 (.520) | 29.6(1.165) | 9.0 (.354)  |                |               |               |        |                                  |         |
|  | 5/16      | 6      | FVX5.5-S6   |          | 6.4 (.252)          | 13.2 (.520) | 29.6(1.165) | 9.0 (.354)  |                |               |               |        |                                  |         |
|  | 3/8       | 8      | FVX5.5-8    |          | 8.4 (.331)          | 15.0 (.591) | 35.2(1.386) | 13.7 (.539) |                |               |               |        |                                  |         |
|  |           |        |             |          |                     |             |             |             |                |               |               |        |                                  |         |

- Note: 1) The part numbers indicated in the above table are for products with a brazed seam.  
 When ordering products with a butted seam, add the prefix "WS" to the part number (ex. FVX2-4 -->FVXWS2-4).  
 2) \*The crimping will be more secure if the total cross-sectional area of the wire is at least 0.5 mm<sup>2</sup>.  
 Examples: If the cross-sectional area of the wire is 0.3 mm<sup>2</sup>, fold the wire in two when crimping the terminal.  
 If the cross-sectional area of the wire is 0.5 mm<sup>2</sup>, crimp the terminal onto the wire as it is.  
 3) Delivery lead times may vary depending on the product. Contact JST for details.