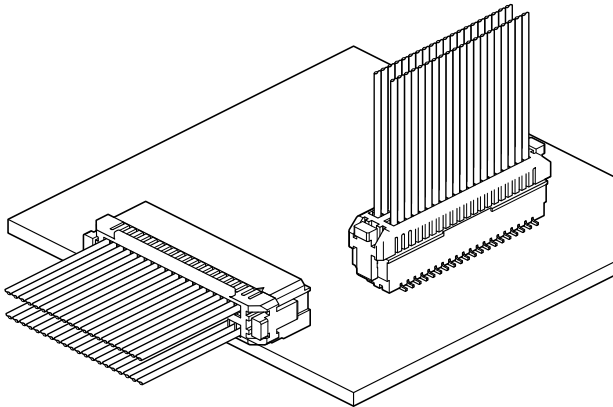


# SHLD CONNECTOR

1.0 mm pitch/Disconnectable Crimp style connectors



Developed for PDP, LCD or small electronics equipment.

This is a dual-row small crimp type connector with a secure locking system or without-designed for different applications. The PC board layout is compatible with that of existing SHD connector, which allows for replacement of the above existing connector.

- Secure housing lock structure (for locking type)
- Prevent deformation of contacts
- A contact lock structure
- Strong structure against external force

## Specifications

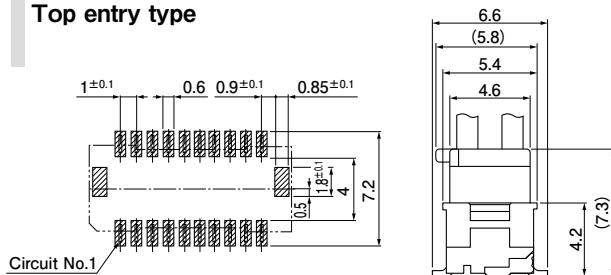
- Current rating: 1.0 A AC/DC (AWG #28)
  - Voltage rating: 50 V AC/DC
  - Temperature range: -25°C to +85°C  
(including temperature rise in applying electrical current)
  - Contact resistance: Initial value/ 30 mΩ max.  
After environmental tests/ 40 mΩ max.
  - Insulation resistance: 100 MΩ min.
  - Withstanding voltage: 500 VAC/minute
- \* In using the products, refer to "Handling Precautions for Terminals and Connectors" described on our website (Technical documents of Product information page).
- \* RoHS2 compliance
- \* Dimensional unit: mm
- \* Contact JST for details.

## Standards

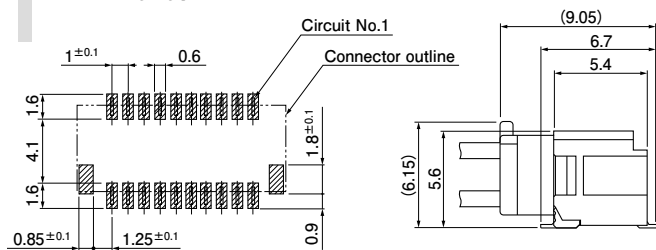
Recognized E60389

## PC board layout and Assembly layout

### Top entry type

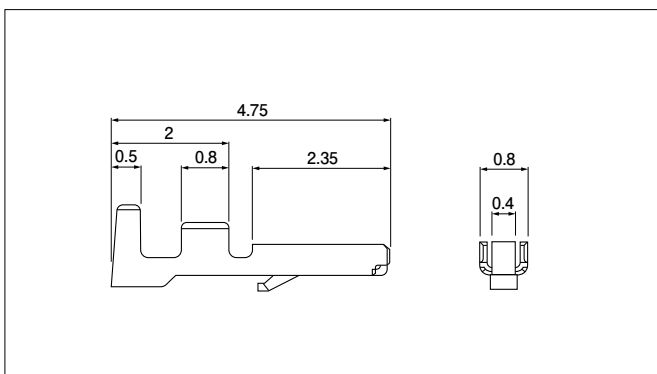


### Side entry type



Note: 1. The above figure is the figure viewed from the connector mounting side.  
2. Tolerances are non-cumulative: ± 0.1 mm for all centers.  
The dimensions above should serve as a guideline. Contact JST for details.

## Contact



Model No.	Applicable wire		Insulation O.D. (mm)	Q'ty/reel
	mm <sup>2</sup>	AWG #		
SSHL-003GA1-P0.2	0.032 to 0.08	32 to 28	0.4 to 0.8	41,000

### Material and Finish

Phosphor bronze, nickel-undercoated, Mating part; gold-plated,  
Crimping part; gold-plated

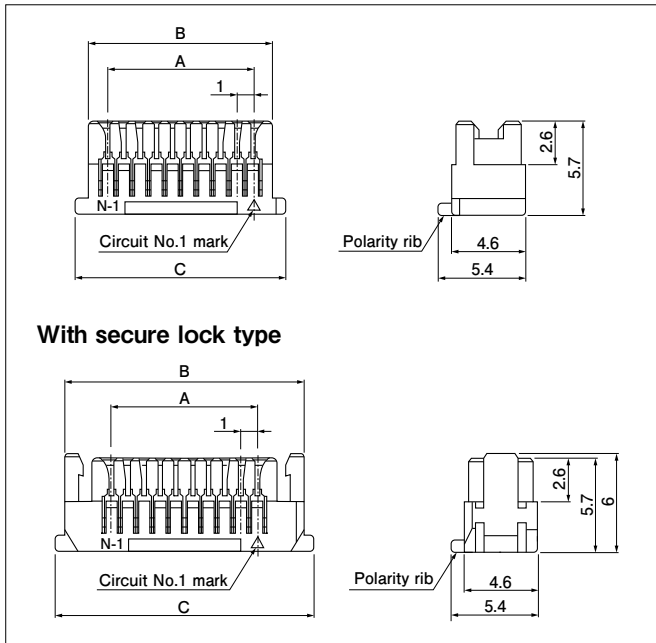
### RoHS2 compliance

Contact	Crimping machine	Applicator		
		Crimp applicator	Dies	Crimp applicator with dies
SSHL-003GA1-P0.2	AP-K2N	MKS-L-10-3	MK/SSH/L-003-02	APLMK SSHL002-02

Note: Contact JST for fully automatic crimping applicator.

# SHLD CONNECTOR

## Housing



No. of circuits	Model No.	Dimensions (mm)			Q'ty/bag
		A	B	C	
20	SHLDP-20V-S(B)	9.0	11.4	13.0	3,500
30	SHLDP-30V-S(B)	14.0	16.4	18.0	2,500
40	SHLDP-40V-S(B)	19.0	21.4	23.0	2,000
50	SHLDP-50V-S(B)	24.0	26.4	28.0	1,500

### Material and Finish

PBT, UL94V-0, natural (white)

RoHS2 compliance

### With secure lock type

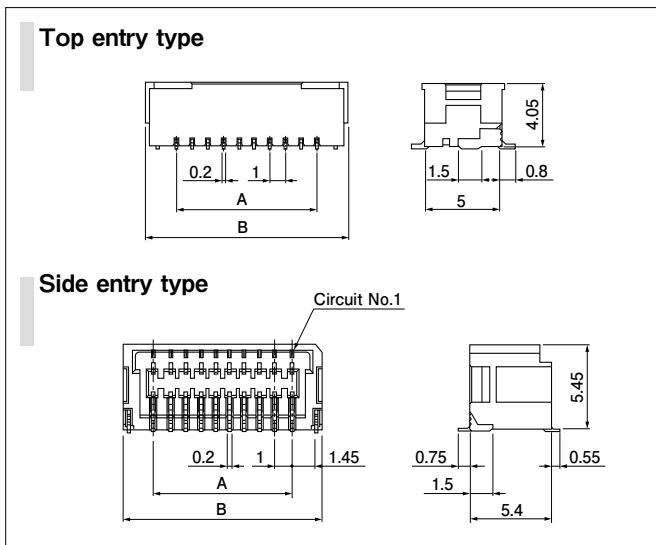
No. of circuits	Model No.	Dimensions (mm)			Q'ty/bag
		A	B	C	
20	SHLDP-20V-S-1(B)	9.0	14.7	15.7	3,000
30	SHLDP-30V-S-1(B)	14.0	19.7	20.7	2,000
40	SHLDP-40V-S-1(B)	19.0	24.7	25.7	1,500
50	SHLDP-50V-S-1(B)	24.0	29.7	30.7	1,200

### Material and Finish

PBT, UL94V-0, natural (white)

RoHS2 compliance

## Header



No. of circuits	Model No.		Dimensions (mm)		Q'ty/reel	
	Top entry type	Side entry type	A	B	Top type	Side type
20	BM20B-SHLDS-G-TFT	SM20B-SHLDS-G-TF	9.0	13.0	1,400	1,000
30	BM30B-SHLDS-G-TFT	SM30B-SHLDS-G-TF	14.0	18.0	1,400	1,000
40	BM40B-SHLDS-G-TFT	SM40B-SHLDS-G-TF	19.0	23.0	1,400	1,000
50	BM50B-SHLDS-G-TFT	SM50B-SHLDS-G-TF	24.0	28.0	1,400	1,000

### Material and Finish

Contact: Phosphor bronze, nickel-undercoated, gold-plated

Wafer: PA, UL94V-0, natural (ivory)

Solder tab: Brass, copper-undercoated, tin-plated (reflow treatment)

RoHS2 compliance This product displays (LF) (SN) on a label.

## Model number allocation

### Contact

**S SHL - 003 GA1 - P 0.2**

Form: S...Strip form

Series name

Applicable wire range: AWG #32 to #28

Surface finish:  
GA1...Nickel-undercoated selective gold-plated

Material: P...Phosphor bronze

Terminal size

### Housing

**SHLD P - 20 V - S - 1 (B)**

Series name

Part name: Plug

No. of circuits: 20, 30, 40, 50

Flammability: V...UL94V-0

Color: S...Natural (White)

Sub-model number: 1...With secure lock,  
None...Without secure lock

Identification part number

### Header

**BM 20 B-SHLDS - -G-TF**

Shape of assembled product:  
BM...SMT top entry type  
SM...SMT side entry type

No. of circuits:  
Top entry type...20, 30, 40, 50  
Side entry type...20, 30, 40, 50

Part name: Header

Series name

Color: S...Natural (Ivory)

With/Without boss: None...Without boss, A...With boss

Surface finish: G...Nickel-undercoated gold-plated

Packaging style: TF...Embossed-taping

Suction tape: None...Without suction tape, T...With suction tape