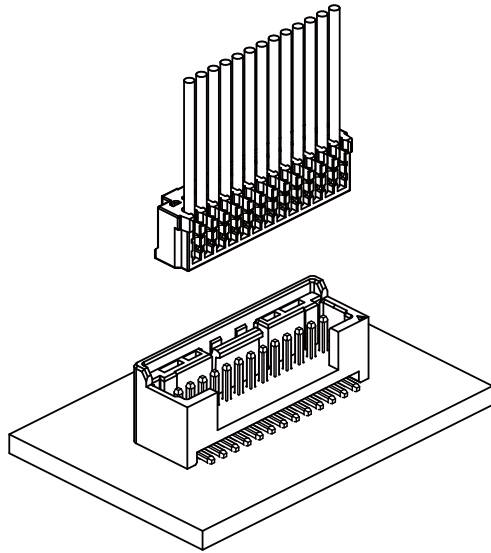


GX CONNECTOR

1.25 mm pitch / Disconnectable Insulation displacement connectors



- Narrow pitch (1.25 mm) compatible with AWG # 26 (UL10272/11079)
- Surface mount type that promotes automation without suction tape
- Low insertion force type is adopted focusing on workability.
- This connector has the lever type friction lock to prevent incomplete insertion by click feeling when inserting.

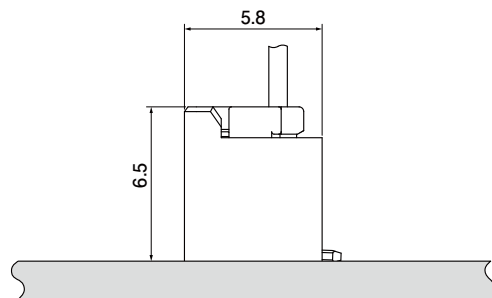
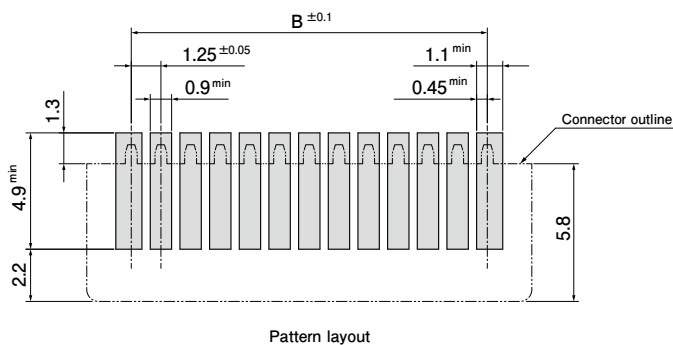
Standards

☑: Recognized E 60389

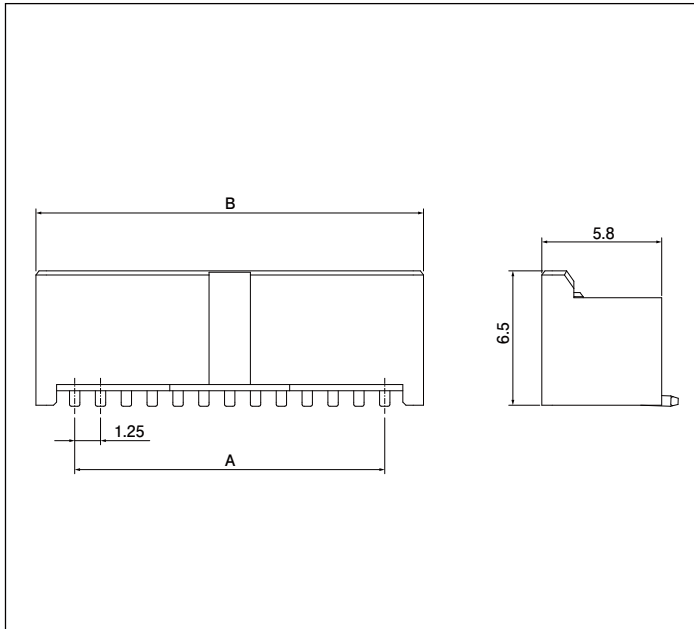
Specifications

- Current rating: 2 A (AWG#26)
- Voltage rating: 50 V AC/DC
- Temperature range: -25°C to +85°C
(including temperature rise in applying electrical current)
- Contact resistance: Initial value/10 mΩ max.
After environmental tests/30 mΩ max.
- Insulation resistance: 500 MΩ min.
- Withstanding voltage: AC 500 VAC / minute
- Applicable wire: UL10272, UL11079
AWG#26, #28
Conductor/7 strands wire,
tin-coated annealed copper
Insulation O.D/ ϕ 0.75 to ϕ 0.83
- * In using the products, refer to "Handling Precaution for Terminals and Connectors" described on our website (Technical documents of Product information page).
- * RoHS2 compliance
- * Dimensional unit: mm
- * Contact JST for details.

PC board layout and Assembly layout



GX connector Header



No. of circuits	Model No.	Dimensions (mm)		Q'ty/reel
		A	B	
2	BM02B-GXKS-TF	1.25	5.00	900
3	BM03B-GXKS-TF	2.50	6.25	900
4	BM04B-GXKS-TF	3.75	7.50	900
5	BM05B-GXKS-TF	5.00	8.75	900
6	BM06B-GXKS-TF	6.25	10.00	900
7	BM07B-GXKS-TF	7.50	11.25	900
8	BM08B-GXKS-TF	8.75	12.50	900
9	BM09B-GXKS-TF	10.00	13.75	900
11	BM11B-GXKS-TF	12.50	16.25	900
13	BM13B-GXKS-TF	15.00	18.75	900
15	BM15B-GXKS-TF	17.50	21.25	900
17	BM17B-GXKS-TF	20.00	25.00	900
19	BM19B-GXKS-TF	22.50	27.50	900
21	BM21B-GXKS-TF	25.00	30.00	900
23	BM23B-GXKS-TF	27.50	32.50	900
25	BM25B-GXKS-TF	30.00	35.00	900

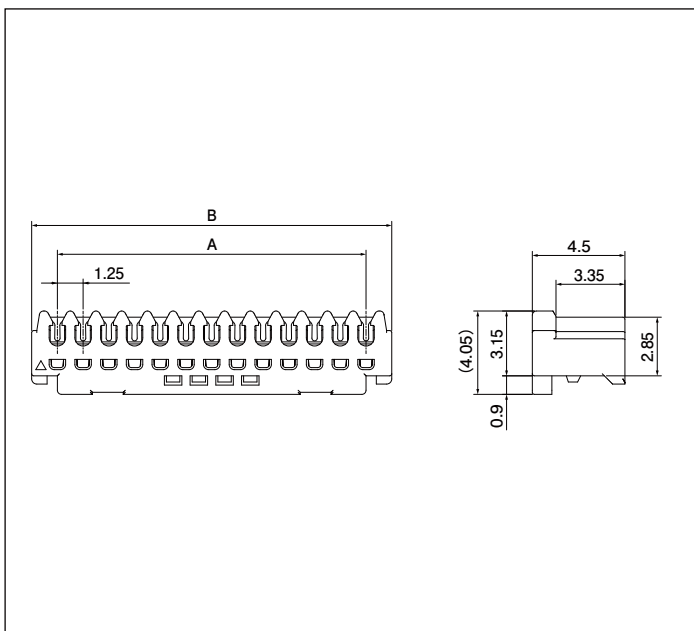
Material and Finish

Post: Copper alloy, copper-undercoated, tin-plated (reflow treatment)

Wafer : Polyamide, UL94V-0, black

RoHS2 compliance This product displays (LF) (SN) on a label.

GX connector Socket



No. of circuits	Model No.	Dimensions (mm)		Q'ty/box
		A	B	
2	02GX-6S	1.25	3.75	2,000
3	03GX-6S	2.50	5.00	2,000
4	04GX-6S	3.75	6.25	1,000
5	05GX-6S	5.00	7.50	1,000
6	06GX-6S	6.25	8.75	1,000
7	07GX-6S	7.50	10.00	800
8	08GX-6S	8.75	11.25	800
9	09GX-6S	10.00	12.50	700
11	11GX-6S	12.50	15.00	500
13	13GX-6S	15.00	17.50	500
15	15GX-6S	17.50	20.00	500
17	17GX-6S	20.00	22.50	400
19	19GX-6S	22.50	25.00	400
21	21GX-6S	25.00	27.50	300
23	23GX-6S	27.50	30.00	300
25	25GX-6S	30.00	32.50	300

Material and Finish

Contact : Copper alloy, tin-plated

Socket housing : Thermoplastic resin, UL94V-0, natural

RoHS2 compliance

GX CONNECTOR

Model number allocation

