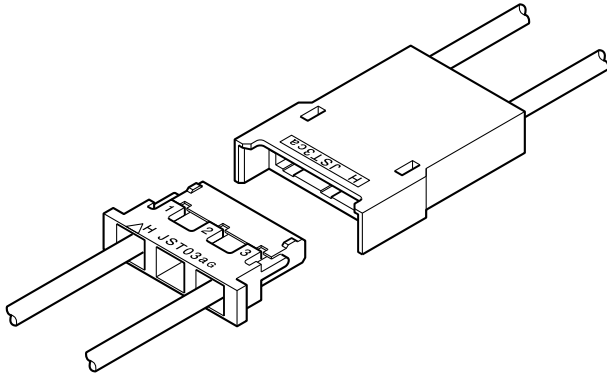




BHM CONNECTOR

4.0/8.0 mm pitch/Disconnectable Crimp style Wire-to-wire connectors



Wire-to-wire version connectors, designed for liquid crystal display back light lamps.

- Contact lances
- Box shaped housing

Specifications

- Current rating: 1.0 A AC/DC
- Voltage rating: 600 V AC/DC
- Temperature range: -25°C to +85°C
(including temperature rise in applying electrical current)
- Contact resistance: Initial value/ 10 mΩ max.
After environmental tests/ 20 mΩ max.
- Insulation resistance: 1,000 MΩ min.
- Withstanding voltage: 1,800 VAC/minute
- Applicable wire: Conductor size/ AWG #28 to #22
0.08 to 0.33 mm²

* In using the products, refer to "Handling Precautions for Terminals and Connectors" described on our website (Technical documents of Product information page).

* RoHS2 compliance

* Dimensional unit: mm

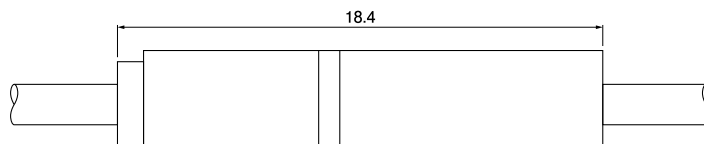
* Contact JST for details.

Standards

Ⓜ Recognized E60389

Ⓢ Certified LR20812

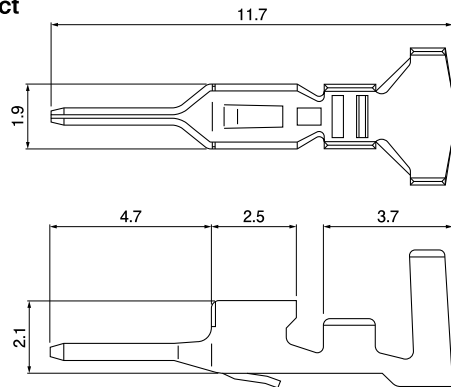
Assembly layout



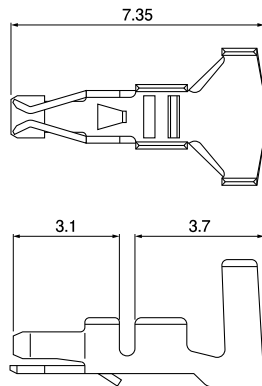
BHM CONNECTOR

Contact

Pin contact



Socket contact



Model No.		Applicable wire		Insulation O.D. (mm)	Q'ty/reel
Pin contact	Socket contact	mm ²	AWG #		
SBHM-001T-P0.5	SBH-001T-P0.5	0.08~0.33	28~22	1.6~2.4	4,000

Material and Finish

Phosphor bronze, tin-plated (reflow treatment)

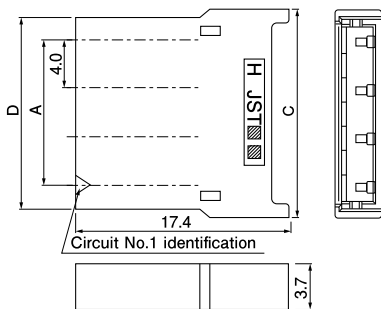
RoHS2 compliance

Contact	Crimping machine	Crimp applicator	Applicator	
			Dies	Crimp applicator with dies
SBHM-001T-P0.5	AP-K2N	MKS-L	MK/SBH/M-001-05	APLMK SBH/M001-05
SBH-001T-P0.5			MK/SBH/M-001-05	APLMK SBH/M001-05

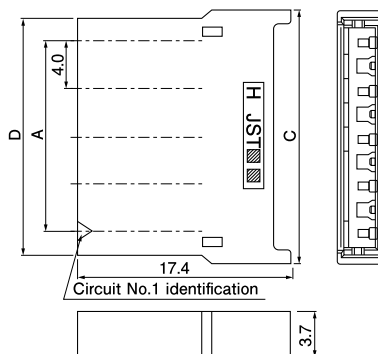
Note: Contact JST for fully automatic crimping applicator.

Housing

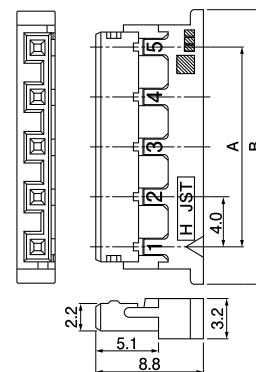
Receptacle housing (for pin contact) (2 to 4 circuits)



(5 circuits)



Socket housing (for socket contact)



No. of circuits	Model No.		Dimensions (mm)				Q'ty/bag
	Receptacle housing	Socket housing	A	B	C	D	
2	BHMR-02V	BHR-02VS-1	4.0	9.8	9.1	7.8	1,000
3	BHMR-03V	BHR-03VS-1	8.0	13.8	13.1	11.8	1,000
4	BHMR-04V	BHR-04VS-1	12.0	17.8	17.1	15.8	1,000
5	BHMR-05V-R	BHR-05VS-1	16.0	21.8	21.1	19.8	1,000

Material and Finish

PA 66, UL94V-0, natural (white)

RoHS2 compliance

Note: BHMR-05V-R and BHR-05VS-1 have ribs against prying.