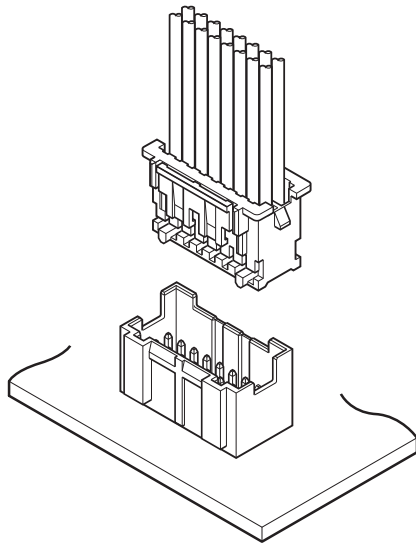


# PAD CONNECTOR

2.0 mm pitch/Wire-to-Board connectors/Crimp style and Mating style



This is a 2.0 mm pitch wire-to-board connector with dual-row structure and secure locking mechanism.

- Secure lock mechanism
- High reliability contact
- Insertion guide structure
- Polarity bosses are available.

## Standards

Ⓜ : Recognized E 60389

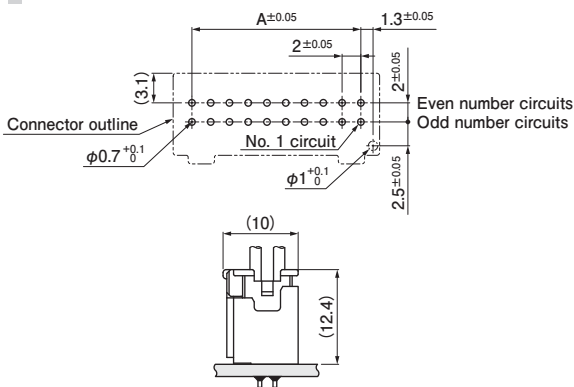
△ : R50053749

## Specifications

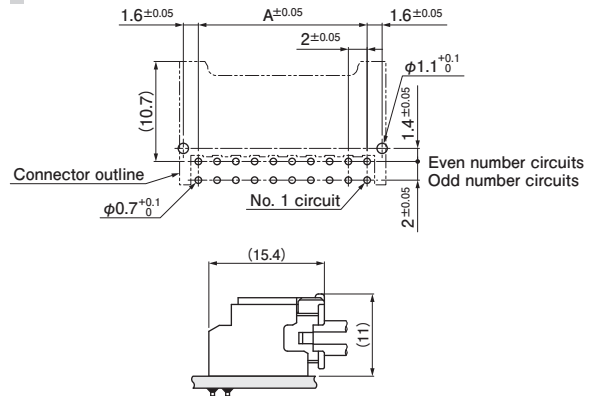
- Current rating: 3 A AC/DC (AWG #22)
  - Voltage rating: 250 V AC/DC
  - Temperature range: -25°C to +85°C  
(including temperature rise in applying electrical current)
  - Contact resistance:
    - Initial value/ 10 mΩ max.
    - After environmental tests/ 20 mΩ max.
  - Insulation resistance: 1,000 MΩ min.
  - Withstanding voltage:
    - There shall be no breakdown or flashover while applying 800 VAC for one minute.
  - Applicable wire range:
    - Conductor size/ AWG #28 to AWG #22
    - Insulation O.D./  $\phi$  0.76 mm to  $\phi$  1.5 mm
  - Applicable PC board thickness: 1.6 mm
- \* In using the products, refer to "Handling Precautions for Terminals and Connectors" described on our website (Technical documents of Product information page).
- \* RoHS2 compliance
- \* Dimensional unit: mm
- \* Contact JST for details.

## PC board layout and Assembly layout

### Top entry type



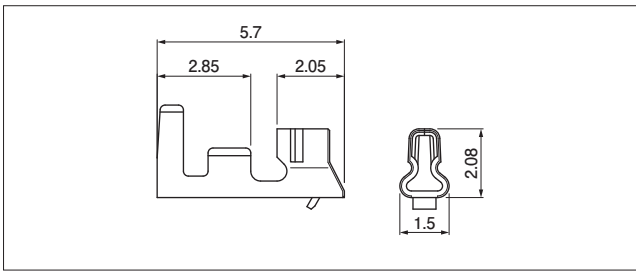
### Side entry type



- Note: 1. The figure of PC board layout is the figure viewed from the connector mounting side.  
 2. Dimension A: See "Header" section on page 3.  
 3. Tolerance for the PCB hole pitch shall be  $\pm 0.05$ , and shall not accumulate more than  $\pm 0.05$ .  
 4. Hole dimensions differ according to the type of PC board and piercing method.  
 5. Please contact JST for details as the dimensions shown in the above figure are reference values.

# PAD CONNECTOR

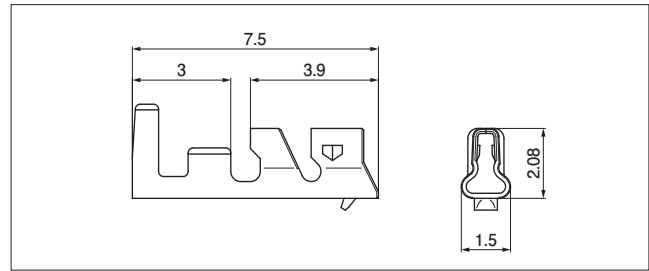
## Contact



Model No.	Applicable wire range		Q'ty/ reel	
	Conductor size	AWG (mm <sup>2</sup> )		Insulation O.D. (mm)
SPH-002T-P0.5L	#28 to #24	(0.08 to 0.22)	0.8 to 1.5	8,000
SPH-001T-P0.5L	#26 to #22	(0.13 to 0.33)	1.0 to 1.5	

Material and Surface finish, etc.

Phosphor bronze, tin-plated



Model No.	Applicable wire range		Q'ty/ reel	
	Conductor size	AWG (mm <sup>2</sup> )		Insulation O.D. (mm)
SPND-002T-C0.5	#28 to #24	(0.08 to 0.22)	0.76 to 1.5	8,000
SPND-001T-C0.5	#26 to #22	(0.13 to 0.33)	1.0 to 1.5	

Material and Surface finish, etc.

Copper alloy, tin-plated

Note: This product has improved insertion and extraction operations.

### Crimping machine

Contact	Crimping machine	Applicator	Crimp applicator with dies
SPH-002T-P0.5L	AP-K2N	MKS-L	APLMK SPH002-05L
SPH-001T-P0.5L			APLMK SPH001-05L

Note: Contact JST for fully automatic crimping applicator.

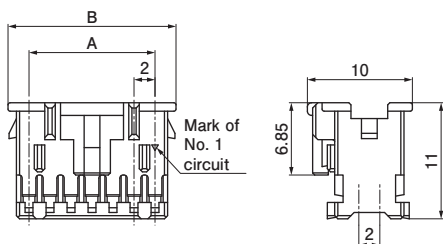
### Crimping machine

Contact	Crimping machine	Applicator	Crimp applicator with dies
SPND-002T-C0.5	AP-K2N	MKS-L	APLMK SPAD/ND002-05
SPND-001T-C0.5			APLMK SPND001-05

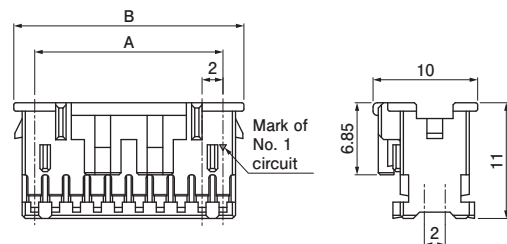
Note: Contact JST for fully automatic crimping applicator.

## Housing

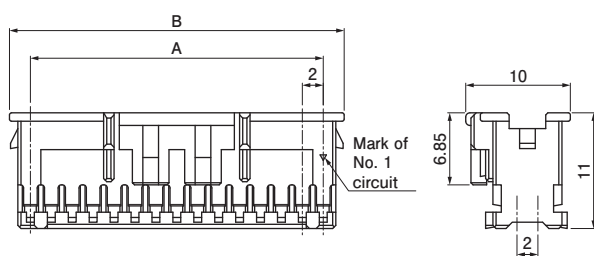
### <10 to 14 circuits>



### <16 to 24 circuits>



### <40 circuits>



No. of circuits	Model No.	Dimensions (mm)		Q'ty/bag
		A	B	
10	PADP-10V-1-S	8.0	12.0	1,000
12	PADP-12V-1-S	10.0	14.0	1,000
14	PADP-14V-1-S	12.0	16.0	1,000
16	PADP-16V-1-S	14.0	18.0	1,000
20	PADP-20V-1-S	18.0	22.0	1,000
22	PADP-22V-1-S	20.0	24.0	1,000
24	PADP-24V-1-S	22.0	26.0	1,000
40	※PADP-40V-1-S	38.0	42.0	500

Material and Surface finish, etc.

PA 66, UL94V-0, natural (white)

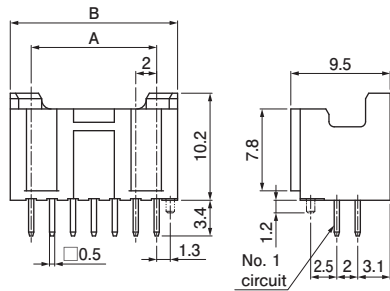
Note: Product marked with an asterisk (\*) is not TÜV-listed.

# PAD CONNECTOR

## Header

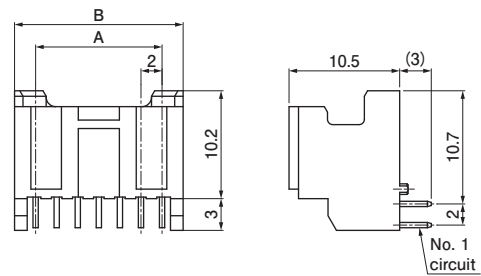
### Top entry type

<10 to 14 circuits>

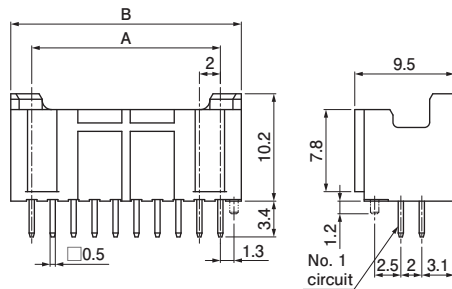


### Side entry type

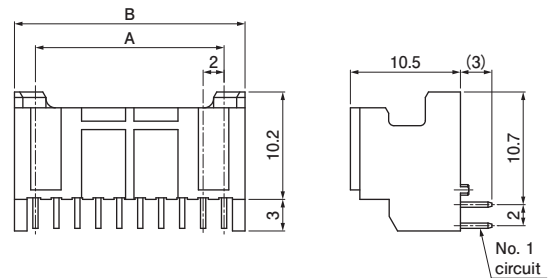
<10 to 14 circuits>



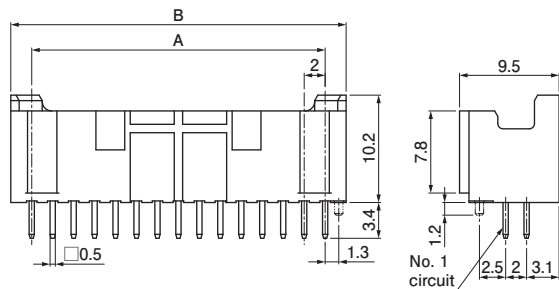
<16 to 24 circuits>



<16 to 24 circuits>



<40 circuits>



No. of circuits	Model No.			Dimensions (mm)		Q'ty/box	
	Top entry type		Side entry type	A	B	Top entry type	Side entry type
	Without a boss	With a boss					
10	B10B-PADSS-F	B10B-PADSS-1F	S10B-PADSS-1	8.0	12.0	400	504
12	B12B-PADSS-F	B12B-PADSS-1F	S12B-PADSS-1	10.0	14.0	300	420
14	B14B-PADSS-F	B14B-PADSS-1F	S14B-PADSS-1	12.0	16.0	300	364
16	B16B-PADSS-F	B16B-PADSS-1F	S16B-PADSS-1	14.0	18.0	200	336
20	B20B-PADSS-F	B20B-PADSS-1F	S20B-PADSS-1	18.0	22.0	150	280
22	B22B-PADSS-F	B22B-PADSS-1F	—	20.0	24.0	150	—
24	B24B-PADSS-F	B24B-PADSS-1F	S24B-PADSS-1	22.0	26.0	150	224
40	—	*B40B-PADSS-1F	—	38.0	42.0	100	—

Material and Surface finish, etc.

Post: Copper alloy, copper-undercoated, tin-plated  
 Wafer: Top entry type/PA 66 (Glass-filled), UL94V-0, natural (ivory)  
 Side entry type/PBT (Glass-filled), UL94V-0, natural (white)

Note: 1. Product marked with an asterisk (\*) is not TÜV-listed.  
 2. This product displays (LF) (SN) on a label.

# PAD CONNECTOR

## Model number allocation

### Contact

S PH - 002 T - P 0.5 L	S PND - 002 T - C 0.5
Supply form: Strip form	Supply form: Strip form
Series name	Series name
Applicable wire range: 002...AWG #28 to AWG #24 001...AWG #26 to AWG #22	Applicable wire range: 002...AWG #28 to AWG #24 001...AWG #26 to AWG #22
Surface finish: Tin-plated	Surface finish: Tin-plated
Material: Phosphor bronze	Material: Copper alloy
Applicable post size	Applicable post size
Auxiliary symbol	

### Housing

PAD P - 16 V - 1 - S
Series name
Type: Socket housing
No. of circuits
Flammability: UL94V-0
Auxiliary symbol
Color: S...Natural (White), K...Black, R...Red, Y...Yellow, E...Blue, M...Green, L...Lemon yellow

### Header (Top entry type)

B 16 B - PAD S S - 1 F
Header type: Top entry type
No. of circuits
Assembly product
Series name
Color: S...Natural (Ivory), K...Black, R...Red, Y...Yellow, E...Blue, M...Green, L...Lemon yellow
Clinched (Kinked) / Not clinched: Straight
Presence of boss: Blank...Without boss, 1...With boss
Auxiliary symbol

### Header (Side entry type)

S 16 B - PAD S S - 1
Header type: Side entry type
No. of circuits
Assembly product
Series name
Color: S...Natural (White), K...Black, Y...Yellow, E...Blue, P...Purple
Clinched (Kinked) / Not clinched: Straight
Presence of boss: With boss