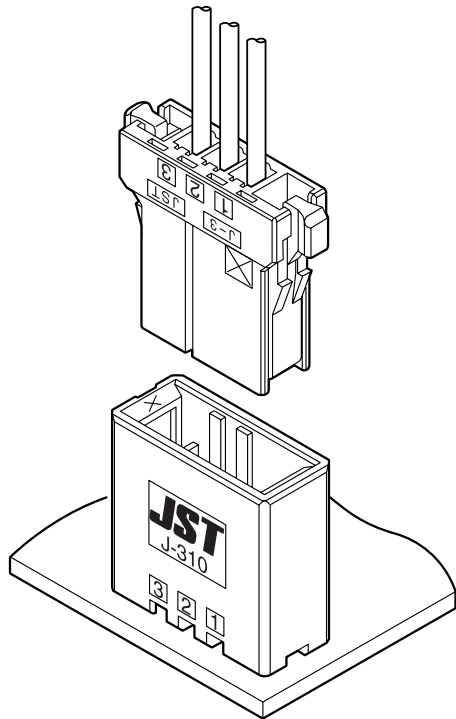


# JFA CONNECTOR J300 SERIES

3.81, 5.08, 5.4 mm pitch/Disconnectable Crimp style connectors(Wire-to-board/Wire-to-wire)



**Connectors for signal circuit or power supply circuit, applicable to the factory automation, heavy electric machinery, and other industrial equipment in general. In spite of the various kinds of housings available, their contacts are designed to be common. The applicable tooling can be standardized.**

- Double-spring construction
- Housing lances
- Clear click feeling

## Specifications

• Current rating: (AC, DC)


Unit: A

Circuits	Wire size (AWG)							
	#14	#16	#18	#20	#22	#24	#26	#28
1	15.0	14.0	11.5	9.5	8.0	6.5	5.75	4.75
2	13.5	13.5	11.25	9.25	7.5	6.25	5.5	4.5
3	12.25	12.25	10.5	8.5	7.0	5.75	5.0	4.1
4	11.25	11.25	10.0	8.0	6.5	5.5	4.75	4.0
5	10.5	10.5	9.5	7.5	6.25	5.25	4.5	4.0
6	9.75	9.75	9.0	7.0	6.0	5.0	4.25	3.75
8	9.0	9.0	8.25	6.5	5.5	4.5	3.75	3.25
9	8.5	8.5	8.0	6.25	5.25	4.5	3.75	3.25
10	8.5	8.5	8.0	6.25	5.25	4.5	3.75	3.25
12	8.25	8.25	7.75	6.0	5.0	4.0	3.5	3.0
16	8.0	8.0	7.5	6.0	4.75	4.0	3.5	3.0
20	8.0	8.0	7.25	6.0	4.5	4.0	3.5	2.75
40	7.5	7.5	6.25	5.25	4.0	3.5	3.0	2.5

- Voltage rating: J310/J340/J380 series (3.81 mm pitch) 250 V AC, DC  
J320/J350 series (5.08 mm pitch) 600 V AC, DC
- Temperature range: -55°C to +105°C  
(including temperature rise in applying electrical current)
- Contact resistance: Initial value/ 5 mΩ max.  
After environmental tests/ 10 mΩ max.
- Insulation resistance: 1,000 MΩ min.
- Withstanding voltage:
  - J310/J340/J380 series (3.81 mm pitch) 1,500 VAC/minute
  - J320/J350 series (5.08 mm pitch) 2,200 VAC/minute
- Applicable wire: AWG #28 to #14
- Applicable PC board thickness: 1.6 to 2.4 mm
- \* Refer to the page of each product for the specifications of the J330 series and common type (J350D, J360T).
- \* In using the products, refer to "Handling Precaution for Terminal and Connector" described on our website (Technical documents of Product information page).
- \* Contact JST for details.
- \* RoHS2 compliance.

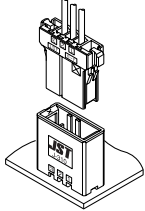
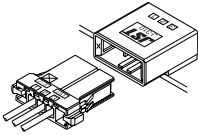
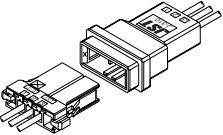
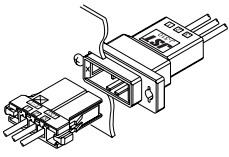

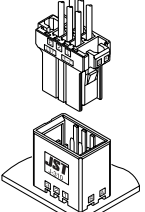
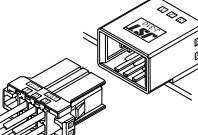
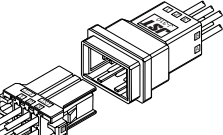
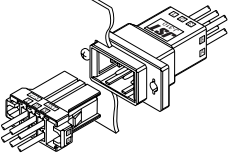
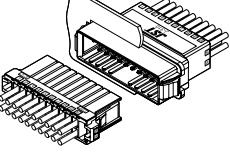
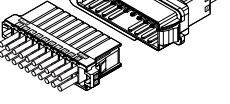
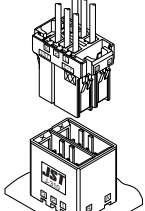
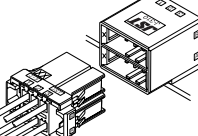
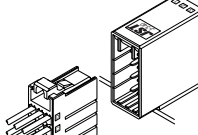
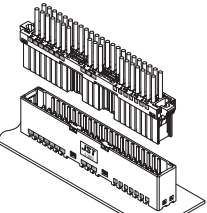
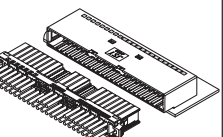
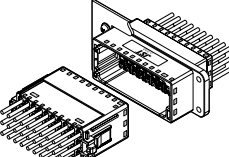

## Standards

 Recognized E60389

 R50133261

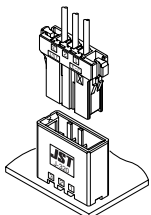
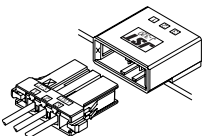
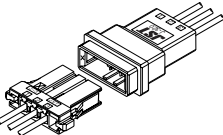
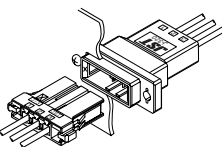
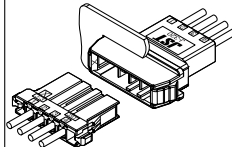
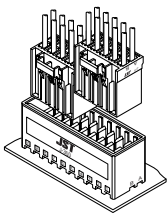
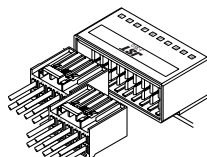
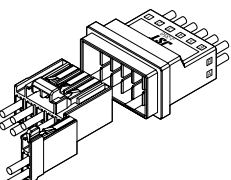
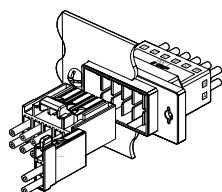
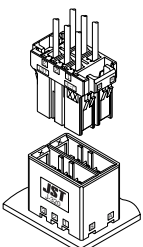
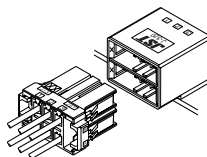
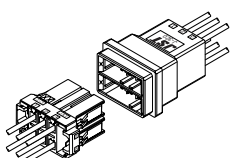
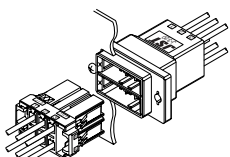
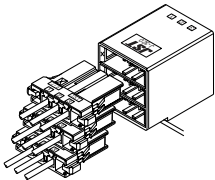
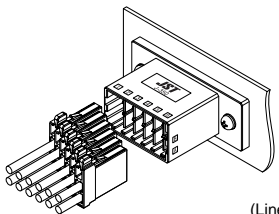
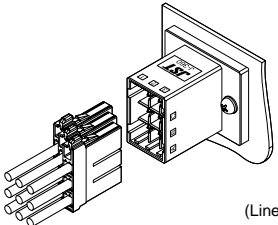
# JFA CONNECTOR/J300 SERIES

## List of J300 series products

Type	3.81 mm pitch / Voltage rating 250 V AC, DC				
	Wire-to-board		Wire-to-wire		
	Top entry type	Side entry type	Free hanging type	Panel mounting type	
<b>J310S</b> Single-row type				Screw type	Housing lock type
					
No. of circuits	3, 4, 5, 6, 8, 10	3, 4, 5, 6, 8, 10	3, 4, 5, 8, 10	3, 4, 5, 8, 10	
<b>J310D</b> Double-row type [Line pitch 5.08 mm]					
					
No. of circuits	6, 8, 10, 12, 16, 20	6, 8, 10, 12, 16, 20	6, 8, 10, 12, 16, 20	6, 8, 10, 12, 16, 20	
<b>J310M</b> Double-row module type [Line pitch 7.62 mm]					
No. of circuits	6	6			
<b>J340F</b> Four-row type [Line pitch 5.08 mm]					
No. of circuits		12, 20			
<b>J380</b> Double-row type [Line pitch 5.08 mm] (Thin type)					
No. of circuits	40	20, 40			
Type	5.4 mm pitch / Voltage rating 600 V AC, DC				
	Wire-to-wire				
	Panel mounting type				
<b>J330</b> [Line pitch 7.7 mm]		Screw type	Housing lock type		
					
No. of circuits		30, 40			

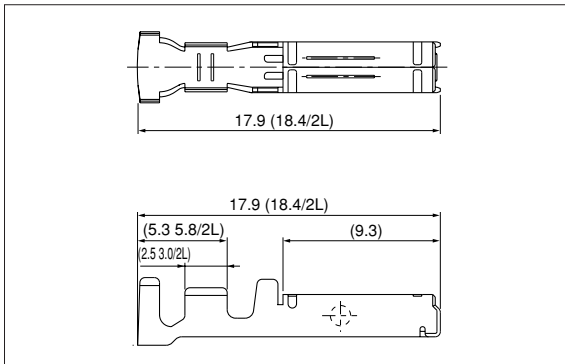
# JFA CONNECTOR/J300 SERIES

## List of J300 series products

Type	5.08 mm pitch / Voltage rating 600 V AC, DC				
	Wire-to-board		Wire-to-wire		
	Top entry type	Side entry type	Free hanging type	Panel mounting type	
<b>J320S</b> Single-row type				Screw type	Housing lock type
					
No. of circuits	2, 3, 4, 5, 6	2, 3, 4, 5, 6	1, 2, 3, 4	1, 2, 3, 4	4
<b>J350D</b> Double-row type [Line pitch 5.08 mm]					
				No. of circuits	12, 20
<b>J320M</b> Double-row module type [Line pitch 7.62 mm]					
				No. of circuits	6, 10, 12
<b>J320T</b> Triple-row module type [Line pitch 7.62 mm]					
				No. of circuits	
Common type	Double-row common type (J350D)		Triple-row common type (J360T)		
	 (Line pitch 5.08 mm)		 (Line pitch 6.5 mm)		
No. of circuits	12		9, 18, 24		

# JFA CONNECTOR/J300 SERIES

## Receptacle contact



Model No.		Applicable wire			Insulation O.D.	Q'ty	
Strip contact	Loose piece	Size	mm <sup>2</sup>	AWG#	(mm)	reel	box (Loose piece)
SF3F-002 (*) -P2.0	BF3F-002 (*) -P2.0	S	0.08~0.20	28~24	0.8~1.4	3,700	1,000
SF3F-01 (*) -P2.0	BF3F-01 (*) -P2.0	M	0.20~0.50	24~20	1.2~2.6	3,700	1,000
SF3F-41 (*) -P2.0	LF3F-41 (*) -P2.0	L	0.50~1.25	20~16	1.8~2.8	3,200	1,000
SF3F-71 (*) -P2.0	BF3F-71 (*) -P2.0	2L	1.25~2.0	16~14	2.4~3.4	3,200	1,000

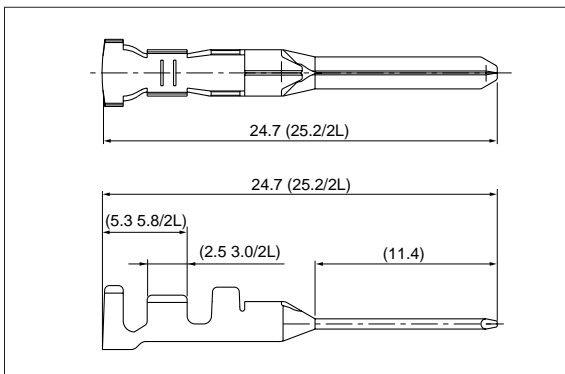
### Material and Finish

Copper alloy (superior conductivity), nickel-undercoated, selective gold-plated tin-plated (reflow treatment)

### RoHS2 compliance

Note: Finish (\*): GF...Nickel-undercoated, 0.38 μm selective gold-plated  
 GI...Nickel-undercoated, 0.76 μm selective gold-plated  
 T.....Tin-plated (reflow treatment)

## Tab contact



Model No.		Applicable wire			Insulation O.D.	Q'ty	
Strip contact	Loose piece	Size	mm <sup>2</sup>	AWG#	(mm)	reel	box (Loose piece)
SF3M-002 (*) -M2.0N	BF3M-002 (*) -M2.0N	S	0.08~0.20	28~24	0.8~1.4	3,500	1,000
SF3M-01 (*) -M2.0N	BF3M-01 (*) -M2.0N	M	0.20~0.50	24~20	1.2~2.6	3,500	1,000
SF3M-41 (*) -M2.0N	LF3M-41 (*) -M2.0N	L	0.50~1.25	20~16	1.8~2.8	3,300	1,000
SF3M-71 (*) -M2.0N	BF3M-71 (*) -M2.0N	2L	1.25~2.0	16~14	2.4~3.4	3,200	1,000

### Material and Finish

Copper alloy (superior conductivity), nickel-undercoated, selective gold-plated tin-plated (reflow treatment)

### RoHS2 compliance

Note: 1. Finish (\*): GF...Nickel-undercoated, 0.38 μm selective gold-plated  
 GI...Nickel-undercoated, 0.76 μm selective gold-plated  
 T.....Tin-plated (reflow treatment)

## Crimping machine, Applicator

Strip contact Model No.	Crimping machine	Applicator			Hand tools	
		Crimp applicator	Dies	Crimp applicator with dies		
SF3F-002 (*) -P2.0	AP-K2N	MKS-L	MK/SF3F/M-002-20	APLMK SF3F/M002-20	YRK-8821	
SF3M-002 (*) -M2.0N			MK/SF3F/M-01-20	APLMK SF3F/M01-20	YRK-8811	
SF3F-01 (*) -P2.0			MK/SF3F/M-41-20	APLMK SF3F/M41-20	YRK-8801	
SF3M-01 (*) -M2.0N			MK/SF3F/M-71-20	APLMK SF3F/M71-20	YRK-1071	
SF3F-41 (*) -P2.0						
SF3M-41 (*) -M2.0N						
SF3F-71 (*) -P2.0						
SF3M-71 (*) -M2.0N						

Note: Finish (\*): GF...Nickel-undercoated, 0.38 μm selective gold-plated  
 GI...Nickel-undercoated, 0.76 μm selective gold-plated  
 T.....Tin-plated

• Extraction tool for J300 series: EJ-JFAJ3

• Special extraction tool for J300 series: For receptacle only ...EJ-JFAJ3R, For tab only ...EJ-JFAJ3T  
 • Refer to the page of "Crimping tools" for details of YRK series hand crimping tools that uses a strip contact.

Loose piece	Hand tools
BF3F-002 (*) -P2.0	YRF-882
BF3M-002 (*) -M2.0N	
BF3F-01 (*) -P2.0	YRF-881
BF3M-01 (*) -M2.0N	
LF3F-41 (*) -P2.0	YRF-880
LF3M-41 (*) -M2.0N	
BF3F-71 (*) -P2.0	YRF-1070
BF3M-71 (*) -M2.0N	YRF-1071

Note: Finish (\*): GF...Nickel-undercoated, 0.38 μm selective gold-plated  
 GI...Nickel-undercoated, 0.76 μm selective gold-plated  
 T.....Tin-plated

## Recognition mark

### Plating of the contact

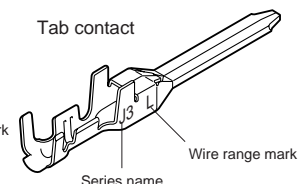
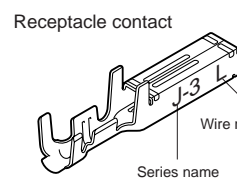
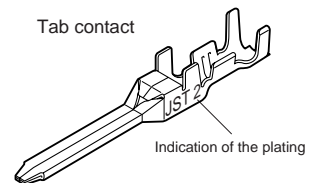
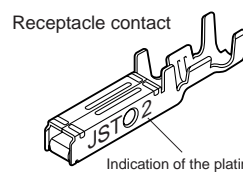
Each contact has a marking on its side so that the type or thickness of the plating is recognized.

- 2 ... gold-plated 0.38 μm thickness
- 3 ... gold-plated 0.76 μm thickness
- 5 ... tin-plated

### Common marking on the contact and its application tools

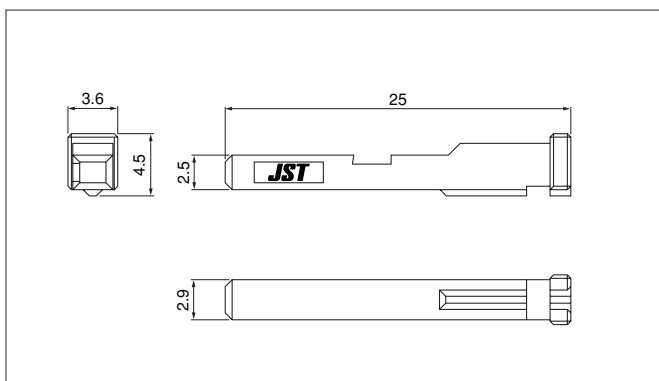
In order to avoid incorrect combination of the hand crimp tools or extraction tools and the contacts, the series name (for example J-3) and wire range mark (S, M, L, 2L) are shown on both the tools and the contacts.

- J-3 S.....AWG #28 ~ #24
- M.....AWG #24 ~ #20
- L.....AWG #20 ~ #16
- 2L...AWG #16 ~ #14



# JFA CONNECTOR/J300 SERIES

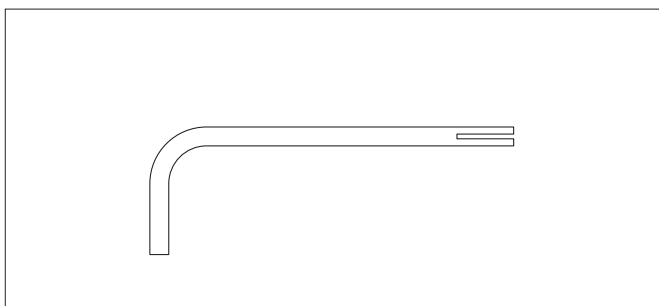
## Keying plug



Model No.	Material
J3KP-VS	Glass-filled PBT, UL94V-0, white

*RoHS2 compliance*

## Tab contact (Cutting jig)



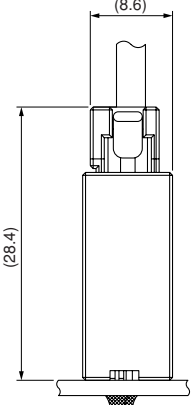
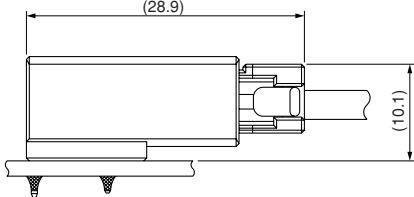
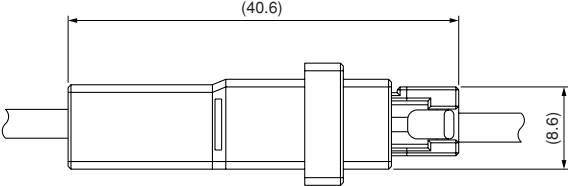
Model No.
CT-JFAJ3A

*RoHS2 compliance*

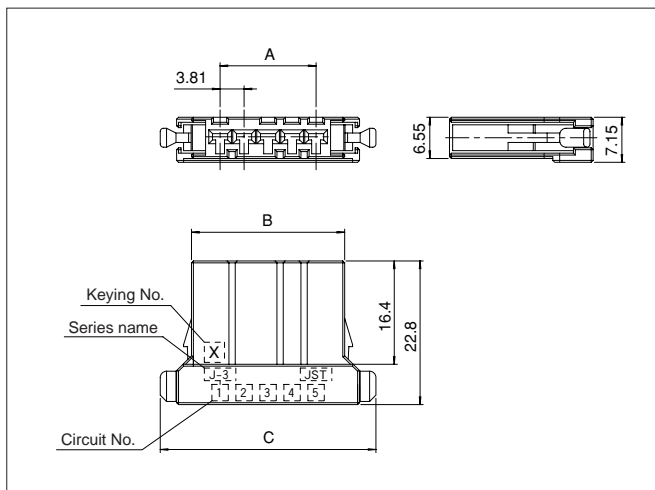
*Note: Not UL/TÜV approved.*

# J300 SERIES/J310S

## Assembly layout

Wire-to-board	<p>&lt;Top entry type&gt;</p> 	<p>&lt;Side entry type&gt;</p> 
Wire-to-wire	<p>&lt;Free hanging type / Panel mounting type&gt;</p> 	

## Receptacle housing



Circuits	Keying	Model No.	Dimensions (mm)			Q'ty /bag
			A	B	C	
3	X	<b>F31FSS-03V-KX</b>	7.62	16.70	26.62	200
	Y	<b>F31FSS-03V-KY</b>	7.62	16.70	26.62	200
4	X	<b>F31FSS-04V-KX</b>	11.43	20.51	30.43	200
	Y	<b>F31FSS-04V-KY</b>	11.43	20.51	30.43	200
5	X	<b>F31FSS-05V-KX</b>	15.24	24.32	34.24	200
	Y	<b>F31FSS-05V-KY</b>	15.24	24.32	34.24	200
6	X	<b>F31FSS-06V-KX</b>	19.05	28.13	38.05	200
	Y	<b>F31FSS-06V-KY</b>	19.05	28.13	38.05	200
8	X	<b>F31FSS-08V-KX</b>	26.67	35.75	45.67	100
	Y	<b>F31FSS-08V-KY</b>	26.67	35.75	45.67	100
10	X	<b>F31FSS-10V-KX</b>	34.29	43.37	53.29	100
	Y	<b>F31FSS-10V-KY</b>	34.29	43.37	53.29	100

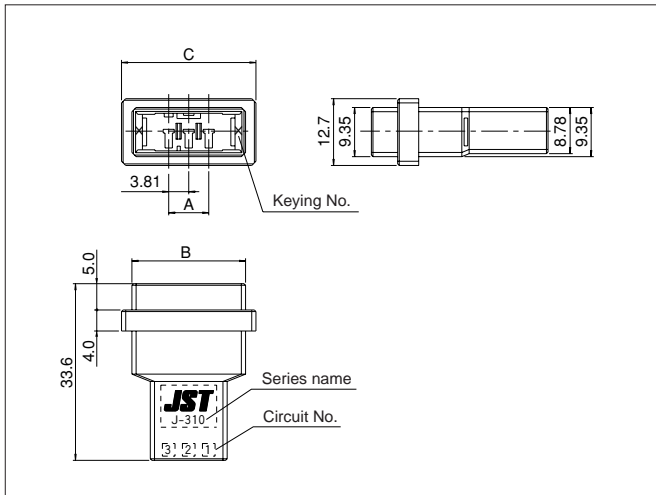
### Material and Finish

Glass-filled PBT, UL94V-0, black

RoHS2 compliance

# J300 SERIES/J310S

## Tab housing (Free hanging type)



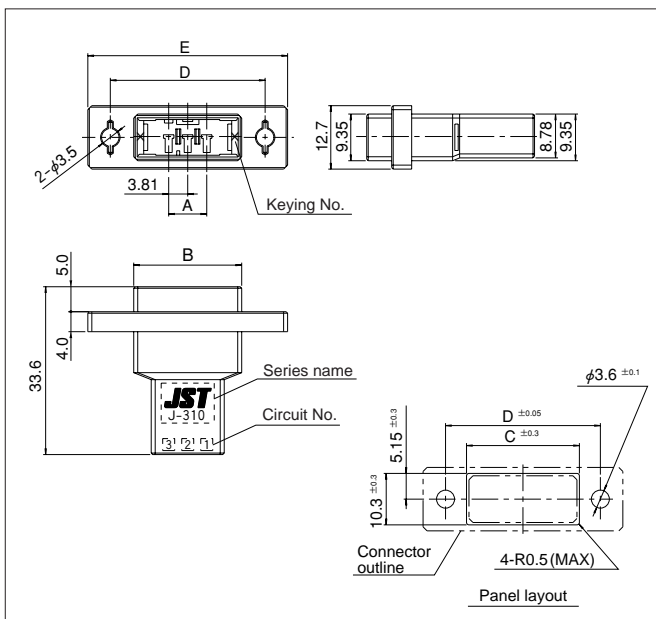
Circuits	Keying	Model No.	Dimensions (mm)			Q'ty /bag
			A	B	C	
3	X	F31MSF-03V-KX	7.62	21.62	25.57	200
	Y	F31MSF-03V-KY	7.62	21.62	25.57	200
4	X	F31MSF-04V-KX	11.43	25.43	29.38	200
	Y	F31MSF-04V-KY	11.43	25.43	29.38	200
5	X	F31MSF-05V-KX	15.24	29.24	33.19	200
	Y	F31MSF-05V-KY	15.24	29.24	33.19	200
8	X	F31MSF-08V-KX	26.67	40.67	44.62	100
	Y	F31MSF-08V-KY	26.67	40.67	44.62	100
10	X	F31MSF-10V-KX	34.29	48.29	52.24	100
	Y	F31MSF-10V-KY	34.29	48.29	52.24	100

### Material and Finish

Glass-filled PBT, UL94V-0, black

RoHS2 compliance

## Tab housing (Panel mounting type)



Circuits	Keying	Model No.	Dimensions (mm)					Q'ty /bag
			A	B	C	D	E	
3	X	F31MSP-03V-KX	7.62	21.62	22.60	31.00	40.00	200
	Y	F31MSP-03V-KY	7.62	21.62	22.60	31.00	40.00	200
4	X	F31MSP-04V-KX	11.43	25.43	26.40	34.50	43.50	200
	Y	F31MSP-04V-KY	11.43	25.43	26.40	34.50	43.50	200
5	X	F31MSP-05V-KX	15.24	29.24	30.20	38.00	47.00	200
	Y	F31MSP-05V-KY	15.24	29.24	30.20	38.00	47.00	200
8	X	F31MSP-08V-KX	26.67	40.67	41.60	50.00	59.00	100
	Y	F31MSP-08V-KY	26.67	40.67	41.60	50.00	59.00	100
10	X	F31MSP-10V-KX	34.29	48.29	49.20	58.00	67.00	100
	Y	F31MSP-10V-KY	34.29	48.29	49.20	58.00	67.00	100

### Material and Finish

Glass-filled PBT, UL94V-0, black

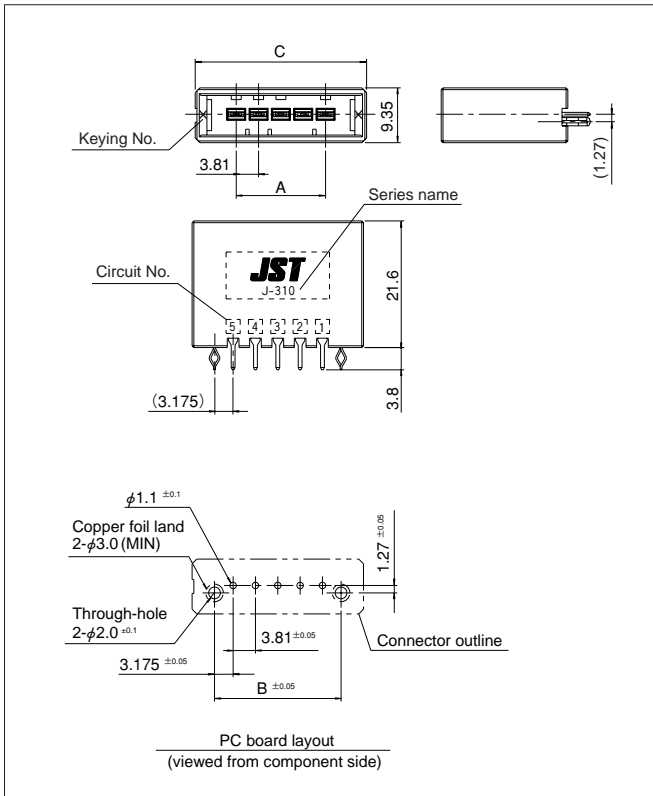
RoHS2 compliance

Note: 1. Punch holes in the panel. Burrs must be removed.

2. The strength of the panel must be considered when punching two or more holes.

3. The connector must be inserted from the same side as the hole is punched.

## Header (Top entry type)



Circuits	Keying	Model No.	Dimensions (mm)			Q'ty/box
			A	B	C	
3	X	<b>B03B-F31SK-GGXR</b>	7.62	13.97	21.62	220
	Y	<b>B03B-F31SK-GGYR</b>	7.62	13.97	21.62	220
4	X	<b>B04B-F31SK-GGXR</b>	11.43	17.78	25.43	180
	Y	<b>B04B-F31SK-GGYR</b>	11.43	17.78	25.43	180
5	X	<b>B05B-F31SK-GGXR</b>	15.24	21.59	29.24	160
	Y	<b>B05B-F31SK-GGYR</b>	15.24	21.59	29.24	160
6	X	<b>B06B-F31SK-GGXR</b>	19.05	25.40	33.05	140
	Y	<b>B06B-F31SK-GGYR</b>	19.05	25.40	33.05	140
8	X	<b>B08B-F31SK-GGXR</b>	26.67	33.02	40.67	120
	Y	<b>B08B-F31SK-GGYR</b>	26.67	33.02	40.67	120
10	X	<b>B10B-F31SK-GGXR</b>	34.29	40.64	48.29	100
	Y	<b>B10B-F31SK-GGYR</b>	34.29	40.64	48.29	100

### Material and Finish

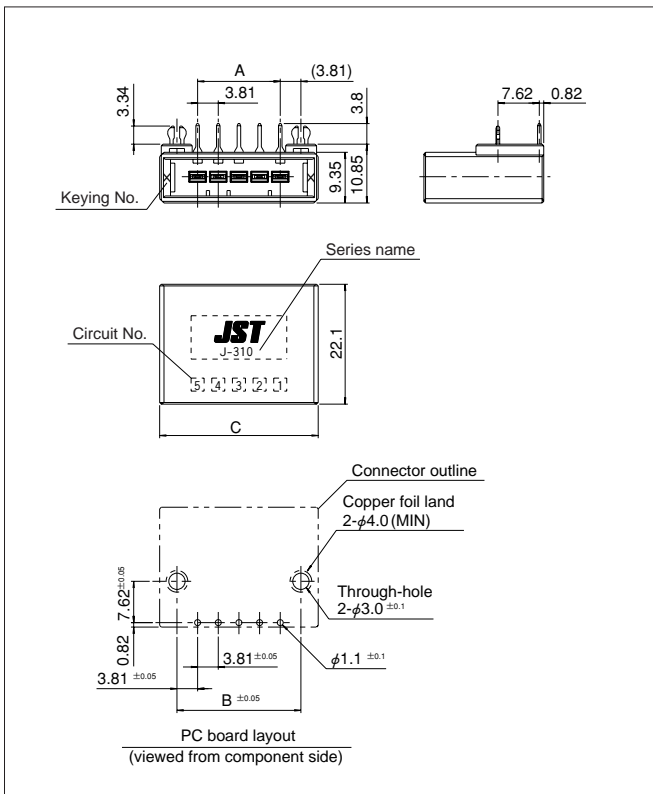
Tab contact: Copper alloy, nickel-undercoated, selective gold-plated  
Housing: Glass-filled PBT, UL94V-0, black  
Reinforcement: Copper alloy, nickel-undercoated, selective gold-plated

**RoHS2 compliance** This product displays (LF)(AU) on a label.

Note: 1. Contact JST about the headers supplied in magazine stick.

2. Contact JST about 0.76 μm gold-plated product and tin-plated product.

## Header (Side entry type)



Circuits	Keying	Model No.	Dimensions (mm)			Q'ty/box
			A	B	C	
3	X	<b>S03B-F31SK-GGXR</b>	7.62	15.24	21.62	165
	Y	<b>S03B-F31SK-GGYR</b>	7.62	15.24	21.62	165
4	X	<b>S04B-F31SK-GGXR</b>	11.43	19.05	25.43	135
	Y	<b>S04B-F31SK-GGYR</b>	11.43	19.05	25.43	135
5	X	<b>S05B-F31SK-GGXR</b>	15.24	22.86	29.24	120
	Y	<b>S05B-F31SK-GGYR</b>	15.24	22.86	29.24	120
6	X	<b>S06B-F31SK-GGXR</b>	19.05	26.67	33.05	105
	Y	<b>S06B-F31SK-GGYR</b>	19.05	26.67	33.05	105
8	X	<b>S08B-F31SK-GGXR</b>	26.67	34.29	40.67	90
	Y	<b>S08B-F31SK-GGYR</b>	26.67	34.29	40.67	90
10	X	<b>S10B-F31SK-GGXR</b>	34.29	41.91	48.29	75
	Y	<b>S10B-F31SK-GGYR</b>	34.29	41.91	48.29	75

### Material and Finish

Tab contact: Copper alloy, nickel-undercoated, selective gold-plated  
Housing: Glass-filled PBT, UL94V-0, black  
Reinforcement: Copper alloy, nickel-undercoated, selective gold-plated

**RoHS2 compliance** This product displays (LF)(AU) on a label.

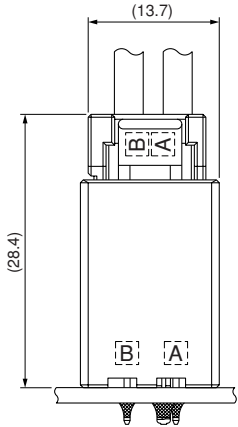
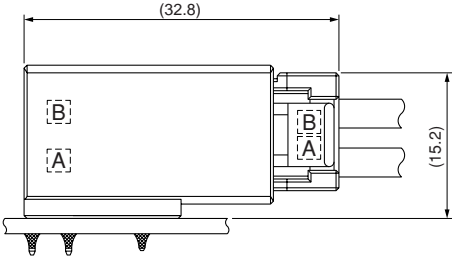
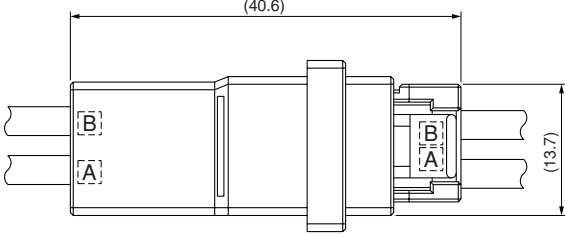
Note: 1. Contact JST about the headers supplied in magazine stick.

2. Contact JST about 0.76 μm gold-plated product and tin-plated product.

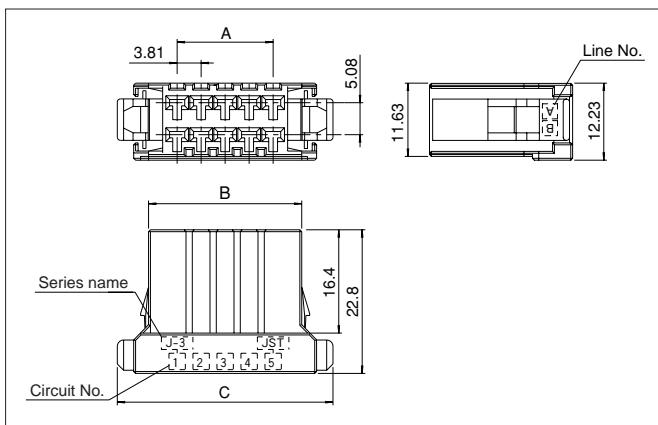


# J300 SERIES/J310D

## Assembly layout

<p>Wire-to-board</p>	<p>&lt;Top entry type&gt;</p> 	<p>&lt;Side entry type&gt;</p> 
<p>Wire-to-wire</p>	<p>&lt;Free hanging type / Panel mounting type (Screw type, Housing lock type)&gt;</p> 	

## Receptacle housing



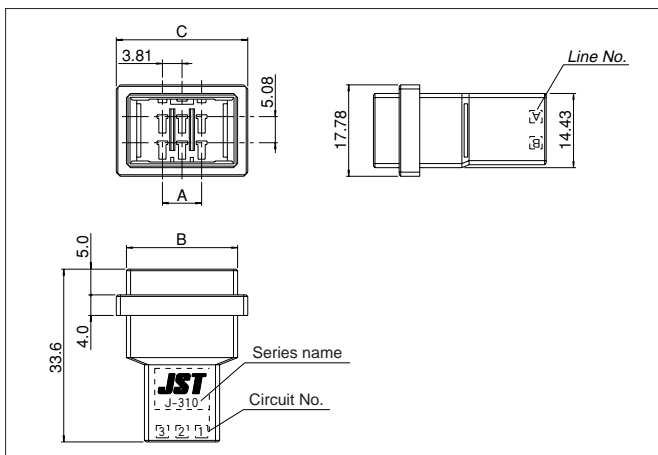
Circuits	Keying	Model No.	Dimensions (mm)			Q'ty/bag
			A	B	C	
6	—	<b>F31FDS-06V-K</b>	7.62	16.70	26.62	200
8	—	<b>F31FDS-08V-K</b>	11.43	20.51	30.43	100
10	—	<b>F31FDS-10V-K</b>	15.24	24.32	34.24	100
12	—	<b>F31FDS-12V-K</b>	19.05	28.13	38.05	100
16	—	<b>F31FDS-16V-K</b>	26.67	35.75	45.67	100
20	—	<b>F31FDS-20V-K</b>	34.29	43.37	53.29	100

### Material and Finish

Glass-filled PBT, UL94V-0, black

### RoHS2 compliance

## Tab housing (Free hanging type)



Circuits	Keying	Model No.	Dimensions (mm)			Q'ty/bag
			A	B	C	
6	—	<b>F31MDF-06V-K</b>	7.62	21.62	25.57	200
8	—	<b>F31MDF-08V-K</b>	11.43	25.43	29.38	100
10	—	<b>F31MDF-10V-K</b>	15.24	29.24	33.19	100
12	—	<b>F31MDF-12V-K</b>	19.05	33.05	37.00	100
16	—	<b>F31MDF-16V-K</b>	26.67	40.67	44.62	100
20	—	<b>F31MDF-20V-K</b>	34.29	48.29	52.24	100

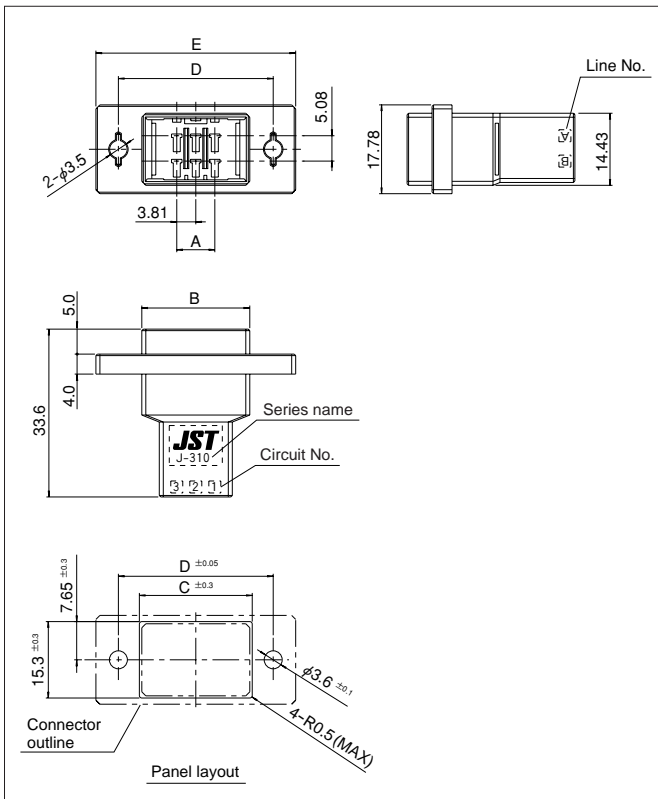
### Material and Finish

Glass-filled PBT, UL94V-0, black

### RoHS2 compliance

# J300 SERIES/J310D

## Tab housing (Panel mounting type)



Circuits	Keying	Model No.	Dimensions (mm)					Q'ty /bag
			A	B	C	D	E	
6	—	F31MDP-06V-K	7.62	21.62	22.60	31.00	40.00	200
8	—	F31MDP-08V-K	11.43	25.43	26.40	34.50	43.50	100
10	—	F31MDP-10V-K	15.24	29.24	30.20	38.00	47.00	100
12	—	F31MDP-12V-K	19.05	33.05	34.00	42.00	51.00	100
16	—	F31MDP-16V-K	26.67	40.67	41.60	50.00	59.00	100
20	—	F31MDP-20V-K	34.29	48.29	49.20	58.00	67.00	100

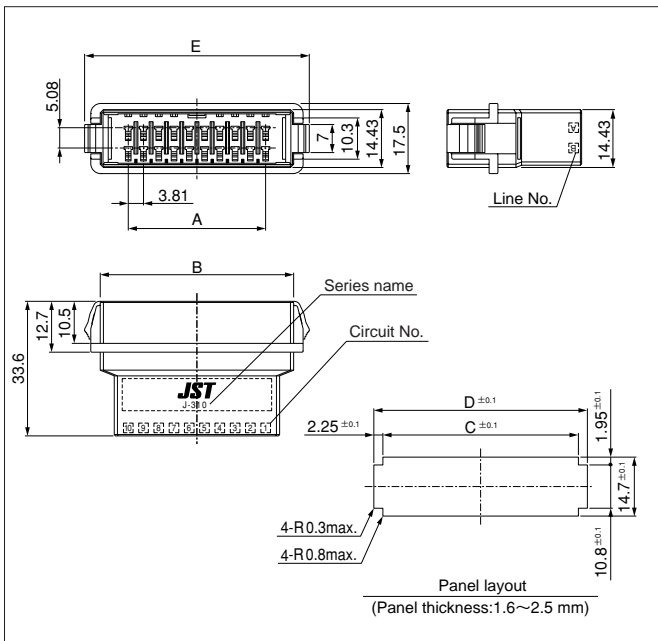
### Material and Finish

Glass-filled PBT, UL94V-0, black

### RoHS2 compliance

- Note: 1. Punch holes in the panel. Burrs must be removed.  
 2. The strength of the panel must be considered when punching two or more holes.  
 3. The connector must be inserted from the same side as the hole is punched.

## Tab housing (Panel mounting Housing lock type)



Circuits	Keying	Model No.	Dimensions (mm)					Q'ty /bag
			A	B	C	D	E	
6	—	F31MDPL-06V-K	7.62	21.62	22.15	26.65	26.33	100
12	—	F31MDPL-12V-K	19.05	33.05	33.55	38.05	37.76	100
20	—	F31MDPL-20V-K	34.29	48.29	48.80	53.30	53.00	80

### Material and Finish

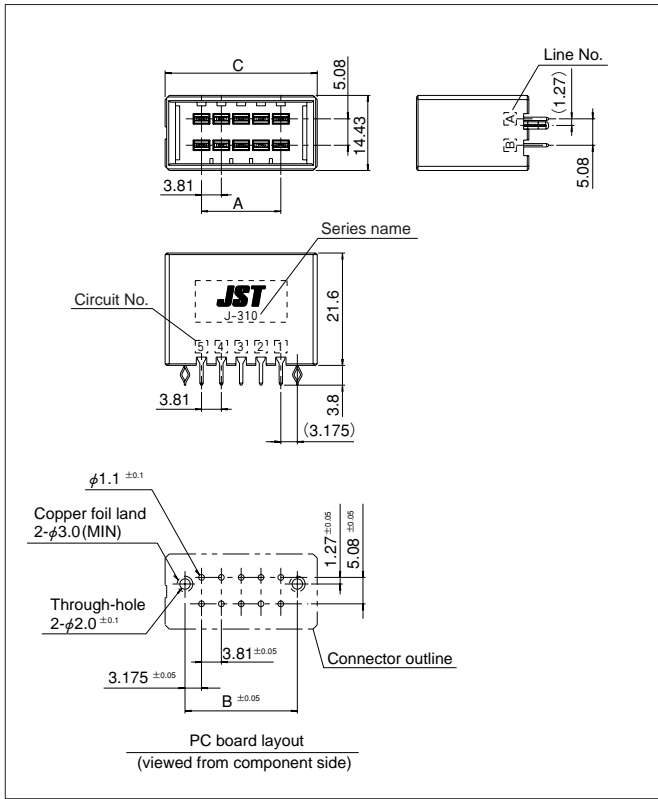
Glass-filled PBT, UL94V-0, black

### RoHS2 compliance

- Note: 1. Punch holes in the panel. Burrs must be removed.  
 2. The strength of the panel must be considered when punching two or more holes.  
 3. The connector must be inserted from the same side as the hole is punched.  
 4. Not UL/TÜV approved.

# J300 SERIES/J310D

## Header (Top entry type)



Circuits	Keying	Model No.	Dimensions (mm)			Q'ty/box
			A	B	C	
6	—	<b>B06B-F31DK-GGR</b>	7.62	13.97	21.62	132
8	—	<b>B08B-F31DK-GGR</b>	11.43	17.78	25.43	108
10	—	<b>B10B-F31DK-GGR</b>	15.24	21.59	29.24	96
12	—	<b>B12B-F31DK-GGR</b>	19.05	25.40	33.05	84
16	—	<b>B16B-F31DK-GGR</b>	26.67	33.02	40.67	72
20	—	<b>B20B-F31DK-GGR</b>	34.29	40.64	48.29	60

### Material and Finish

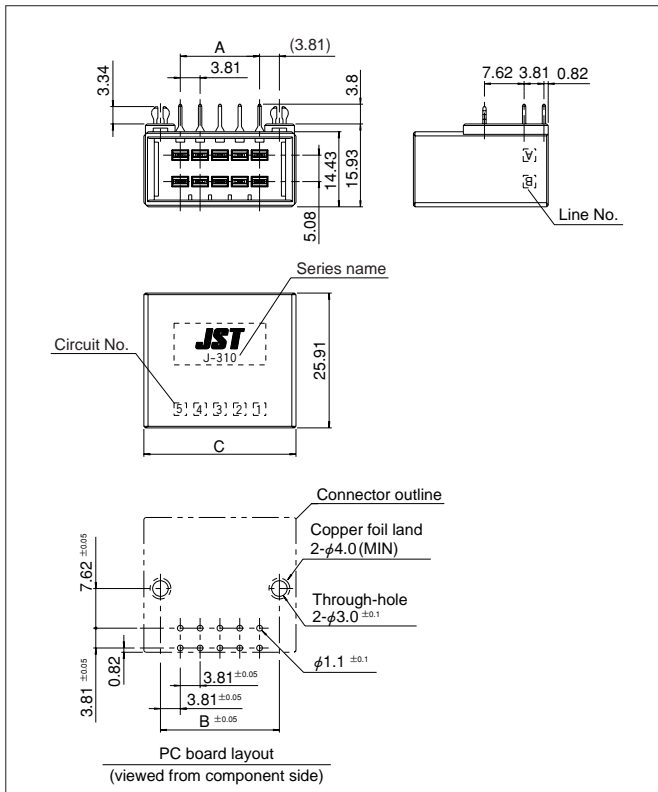
Tab contact: Copper alloy, nickel-undercoated, selective gold-plated  
Housing: Glass-filled PBT, UL94V-0, black  
Reinforcement: Copper alloy, nickel-undercoated, selective gold-plated

**RoHS2 compliance** This product displays (LF)(AU) on a label.

Note: 1. Contact JST about the headers supplied in magazine stick.

2. Contact JST about 0.76 μm gold-plated product and tin-plated product.

## Header (Side entry type)



Circuits	Keying	Model No.	Dimensions (mm)			Q'ty/box
			A	B	C	
6	—	<b>S06B-F31DK-GGR</b>	7.62	15.24	21.62	88
8	—	<b>S08B-F31DK-GGR</b>	11.43	19.05	25.43	72
10	—	<b>S10B-F31DK-GGR</b>	15.24	22.86	29.24	64
12	—	<b>S12B-F31DK-GGR</b>	19.05	26.67	33.05	56
16	—	<b>S16B-F31DK-GGR</b>	26.67	34.29	40.67	48
20	—	<b>S20B-F31DK-GGR</b>	34.29	41.91	48.29	40

### Material and Finish

Tab contact: Copper alloy, nickel-undercoated, selective gold-plated  
Housing: Glass-filled PBT, UL94V-0, black  
Reinforcement: Copper alloy, nickel-undercoated, selective gold-plated

**RoHS2 compliance** This product displays (LF)(AU) on a label.

Note: 1. Contact JST about the headers supplied in magazine stick.

2. Contact JST about 0.76 μm gold-plated product and tin-plated product.

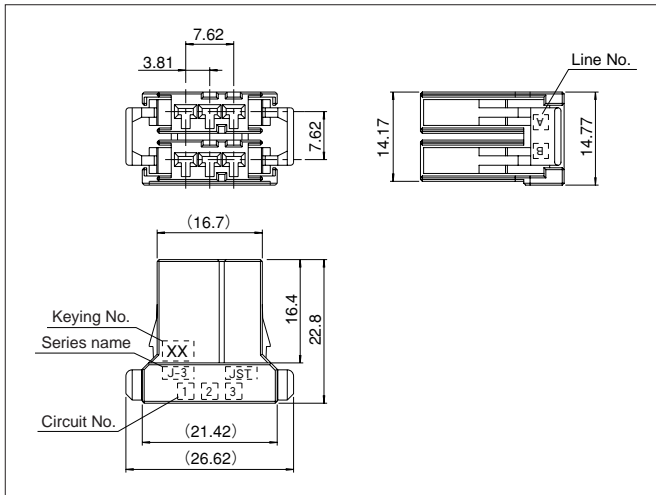
# J300 SERIES/J310M

## Assembly layout

		When mating with J310M receptacle	When mating with J310S receptacle modular
Wire-to-board	Top entry type		
	Side entry type		

# J300 SERIES/J310M

## Receptacle housing



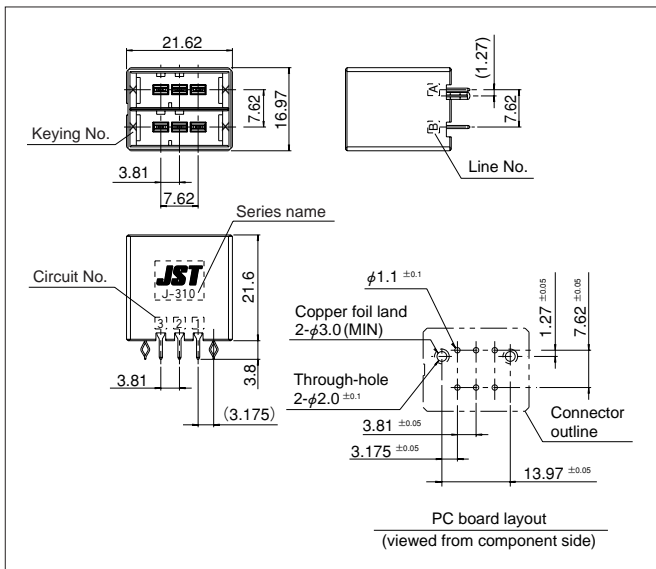
Circuits	Keying	Model No.	Q'ty/bag
6	XX	<b>F31FMS-06V-KXX</b>	100
	YY	<b>F31FMS-06V-KYY</b>	100
	XY	<b>F31FMS-06V-KXY</b>	100

### Material and Finish

Glass-filled PBT, UL94V-0, black

### RoHS2 compliance

## Header (Top entry type)



Circuits	Keying	Model No.	Q'ty/box
6	XX	<b>B06B-F31MK-GGXXR</b>	132
	YY	<b>B06B-F31MK-GGYR</b>	132
	XY	<b>B06B-F31MK-GGXYR</b>	132

### Material and Finish

Tab contact: Copper alloy, nickel-undercoated, selective gold-plated

Housing: Glass-filled PBT, UL94V-0, black

Reinforcement: Copper alloy, nickel-undercoated, selective gold-plated

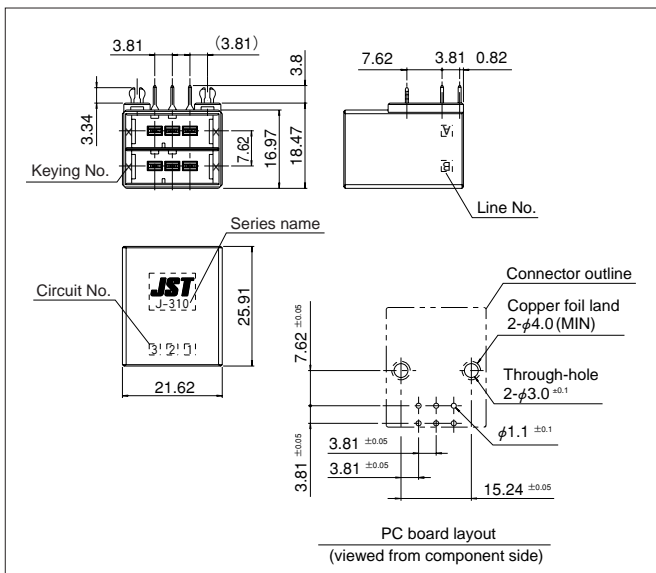
### RoHS2 compliance

This product displays (LF)(AU) on a label.

Note: 1. Contact JST about the headers supplied in magazine stick.

2. Contact JST about 0.76 μm gold-plated product and tin-plated product.

## Header (Side entry type)



Circuits	Keying	Model No.	Q'ty/box
6	XX	<b>S06B-F31MK-GGXXR</b>	88
	YY	<b>S06B-F31MK-GGYR</b>	88
	XY	<b>S06B-F31MK-GGXYR</b>	88

### Material and Finish

Tab contact: Copper alloy, nickel-undercoated, selective gold-plated

Housing: Glass-filled PBT, UL94V-0, black

Reinforcement: Copper alloy, nickel-undercoated, selective gold-plated

### RoHS2 compliance

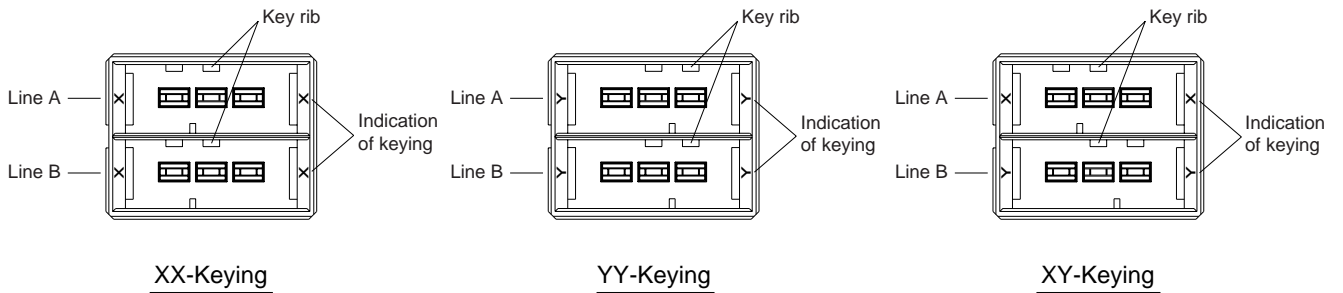
This product displays (LF)(AU) on a label.

Note: 1. Contact JST about the headers supplied in magazine stick.

2. Contact JST about 0.76 μm gold-plated product and tin-plated product.

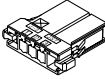
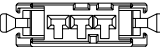

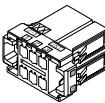
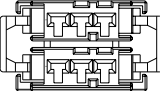
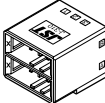
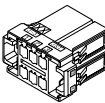
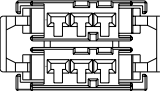
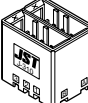
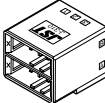
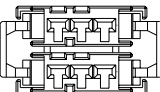
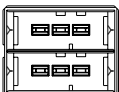
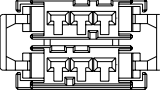

## Keying

J310M series have mis-insertion preventive keying.  
Available in 3 types – XX-Keying, YY-Keying and XY-Keying.  
(Headers viewed from the mating side are shown below.)



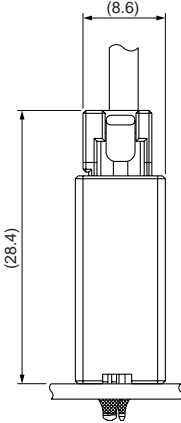
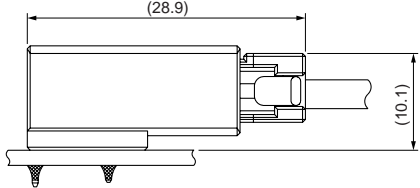
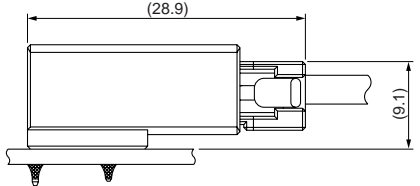
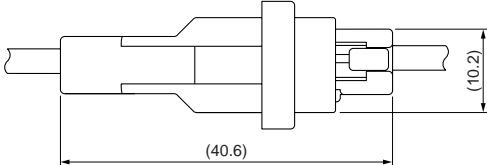
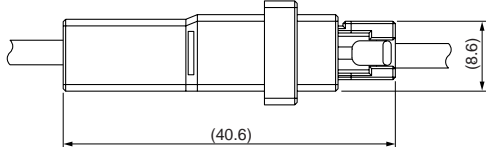
## List of combinations

With the combination of the J310M headers and the J310M/J310S (3 circuits) receptacle housings, the following modular combinations are possible.

Receptacle housing		Header			
		Top entry type		Side entry type	
Single-row 3 circuits (J310S) 	<u>X-Keying</u> F31FSS-03V-KX		Single-row 3 circuits (J310S) 	Single-row 3 circuits (J310S) 	<u>X-Keying</u> S03B-F31SK-GGX R
	<u>Y-Keying</u> F31FSS-03V-KY			<u>Y-Keying</u> B03B-F31SK-GGY R	<u>Y-Keying</u> S03B-F31SK-GGY R
Double-row 6 circuits (J310M) 	<u>XX-Keying</u> F31FMS-06V-KXX		Double-row 6 circuits (J310M) 	Double-row 6 circuits (J310M) 	<u>XX-Keying</u> S06B-F31MK-GGX R
	<u>YY-Keying</u> F31FMS-06V-KYY			<u>YY-Keying</u> B06B-F31MK-GGY R	<u>YY-Keying</u> S06B-F31MK-GGY R
	<u>XY-Keying</u> F31FMS-06V-KXY			<u>XY-Keying</u> B06B-F31MK-GGX R	<u>XY-Keying</u> S06B-F31MK-GGX R

# J300 SERIES/J320S

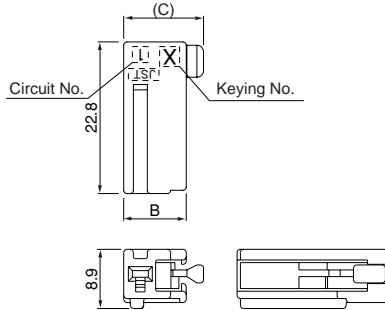
## Assembly layout

<p>Wire-to-board</p>	<p>&lt;Top entry type&gt;</p> 	<p>&lt;Side entry type&gt;</p> <ul style="list-style-type: none"> <li>• Normal type</li> </ul>  <ul style="list-style-type: none"> <li>• Reverse type</li> </ul> 
<p>Wire-to-wire</p>	<p>&lt;Free hanging type / Panel mounting type (Screw type, Housing lock type)&gt;</p> <ul style="list-style-type: none"> <li>• Single circuit</li> </ul> 	<ul style="list-style-type: none"> <li>• 2 to 4 circuits</li> </ul> 

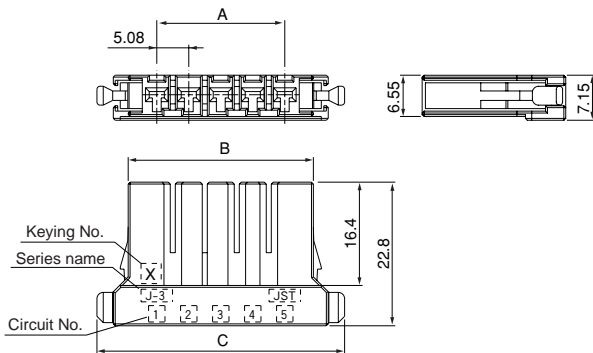
# J300 SERIES/J320S

## Receptacle housing

### • Single circuit



### • 2 to 6 circuits



Circuits	Keying	Model No.	Dimensions (mm)			Q'ty/bag
			A	B	C	
1	X	<b>F32FSS-01V-KX</b>	—	9.40	12.00	200
	Y	<b>F32FSS-01V-KY</b>	—	9.40	12.00	200
2	X	<b>F32FSS-02V-KX</b>	5.08	14.16	24.08	200
	Y	<b>F32FSS-02V-KY</b>	5.08	14.16	24.08	200
3	X	<b>F32FSS-03V-KX</b>	10.16	19.24	29.16	200
	Y	<b>F32FSS-03V-KY</b>	10.16	19.24	29.16	200
4	X	<b>F32FSS-04V-KX</b>	15.24	24.32	34.24	200
	Y	<b>F32FSS-04V-KY</b>	15.24	24.32	34.24	200
5	X	<b>F32FSS-05V-KX</b>	20.32	29.40	39.32	200
	Y	<b>F32FSS-05V-KY</b>	20.32	29.40	39.32	200
6	X	<b>F32FSS-06V-KX</b>	25.40	34.48	44.40	100
	Y	<b>F32FSS-06V-KY</b>	25.40	34.48	44.40	100

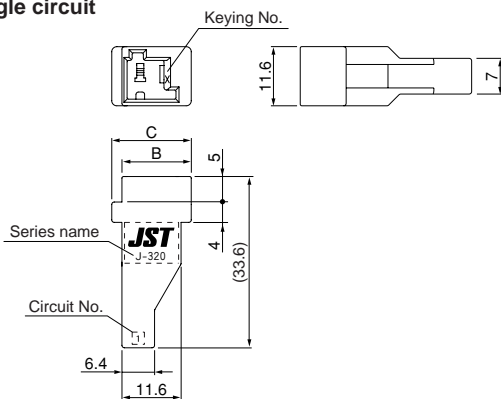
#### Material and Finish

Glass-filled PBT, UL94V-0, black

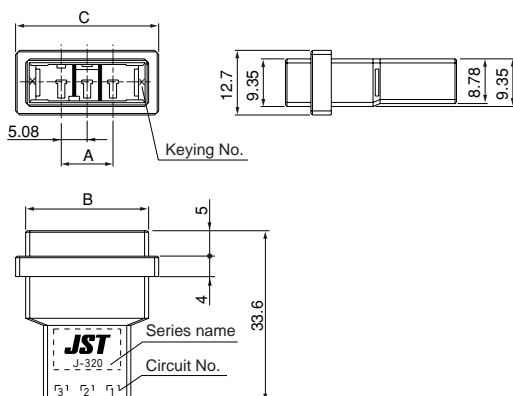
#### RoHS2 compliance

## Tab housing (Free hanging type)

### • Single circuit



### • 2 to 4 circuits



Circuits	Keying	Model No.	Dimensions (mm)			Q'ty/bag
			A	B	C	
1	X	<b>F32MSF-01V-KX</b>	—	13.60	15.60	150
	Y	<b>F32MSF-01V-KY</b>	—	13.60	15.60	150
2	X	<b>F32MSF-02V-KX</b>	5.08	19.08	23.03	200
	Y	<b>F32MSF-02V-KY</b>	5.08	19.08	23.03	200
3	X	<b>F32MSF-03V-KX</b>	10.16	24.16	28.11	200
	Y	<b>F32MSF-03V-KY</b>	10.16	24.16	28.11	200
4	X	<b>F32MSF-04V-KX</b>	15.24	29.24	33.19	200
	Y	<b>F32MSF-04V-KY</b>	15.24	29.24	33.19	200

#### Material and Finish

Glass-filled PBT, UL94V-0, black

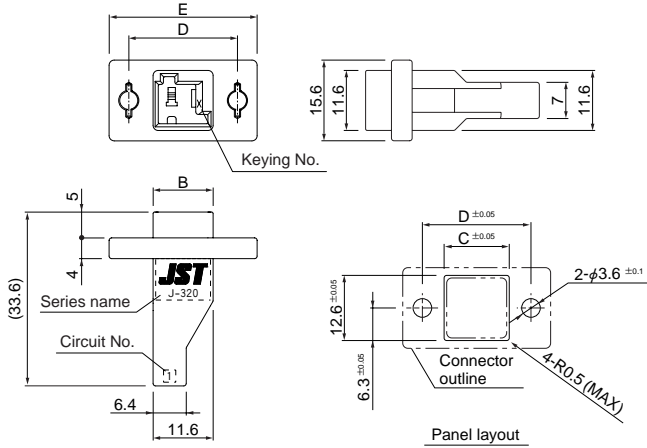
#### RoHS2 compliance



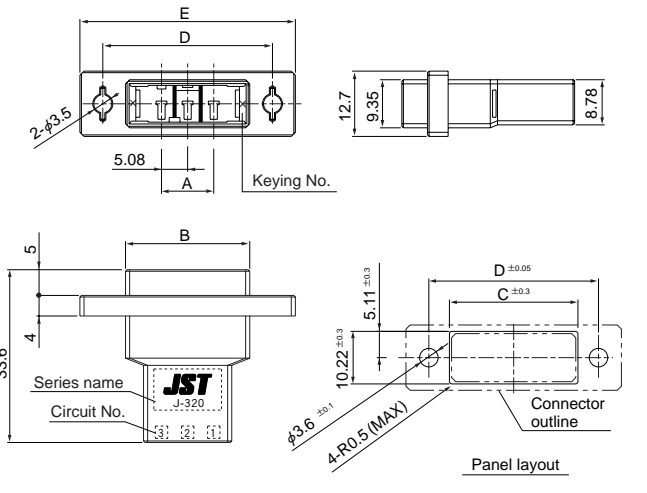
# J300 SERIES/J320S

## Tab housing (Panel mounting type)

### • Single circuit



### • 2 to 4 circuits



Circuits	Keying	Model No.	Dimensions (mm)					Q'ty /bag
			A	B	C	D	E	
1	X	F32MSP-01V-KX	—	11.60	12.60	21.00	28.60	150
	Y	F32MSP-01V-KY	—	11.60	12.60	21.00	28.60	150
2	X	F32MSP-02V-KX	5.08	19.08	20.00	28.00	36.83	200
	Y	F32MSP-02V-KY	5.08	19.08	20.00	28.00	36.83	200
3	X	F32MSP-03V-KX	10.16	24.16	25.00	33.00	41.91	200
	Y	F32MSP-03V-KY	10.16	24.16	25.00	33.00	41.91	200
4	X	F32MSP-04V-KX	15.24	29.24	30.00	38.00	46.99	200
	Y	F32MSP-04V-KY	15.24	29.24	30.00	38.00	46.99	200

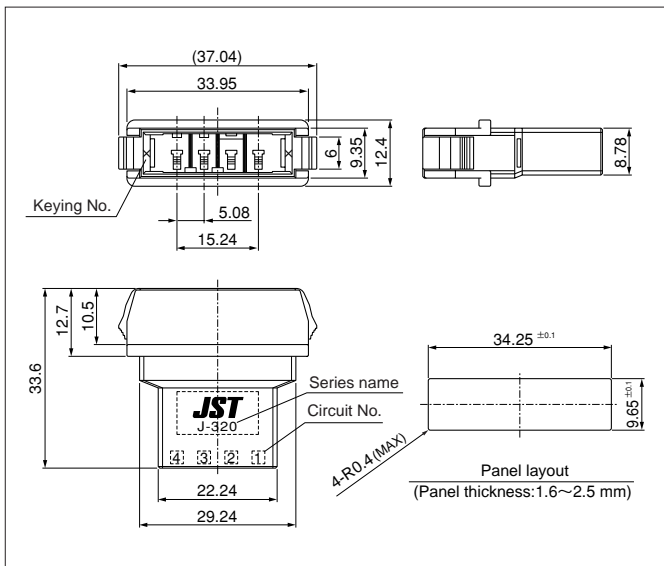
### Material and Finish

Glass-filled PBT, UL94V-0, black

### RoHS2 compliance

- Note: 1. Punch holes in the panel. Burrs must be removed.  
 2. The strength of the panel must be considered when punching two or more holes.  
 3. The connector must be inserted from the same side as the hole is punched.

## Tab housing (Panel mounting type Housing lock type)



Circuits	Keying	Model No.	Q'ty/bag
4	X	F32MSPL-04V-KX	90

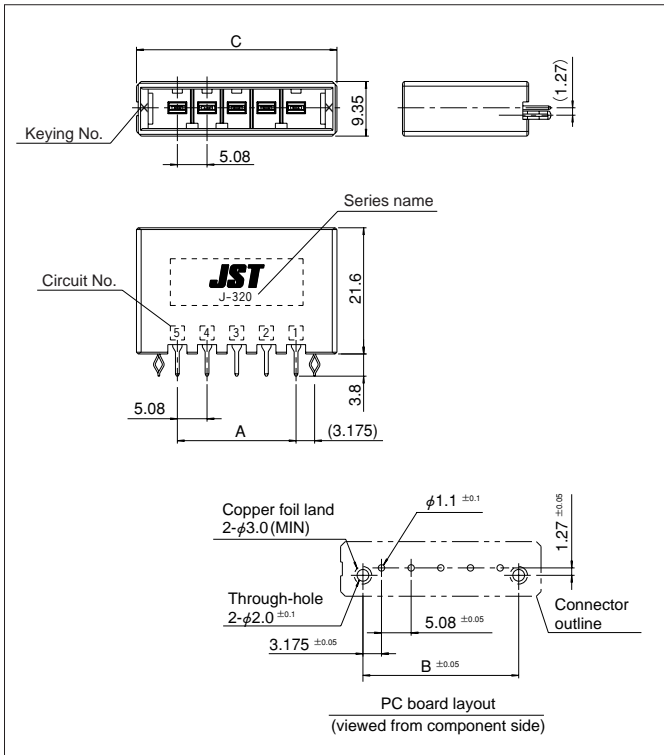
### Material and Finish

Glass-filled PBT, UL94V-0, black

### RoHS2 compliance

- Note: 1. Punch holes in the panel. Burrs must be removed.  
 2. The strength of the panel must be considered when punching two or more holes.  
 3. The connector must be inserted from the same side as the hole is punched.  
 4. Not TÜV approved.

## Header (Top entry type)



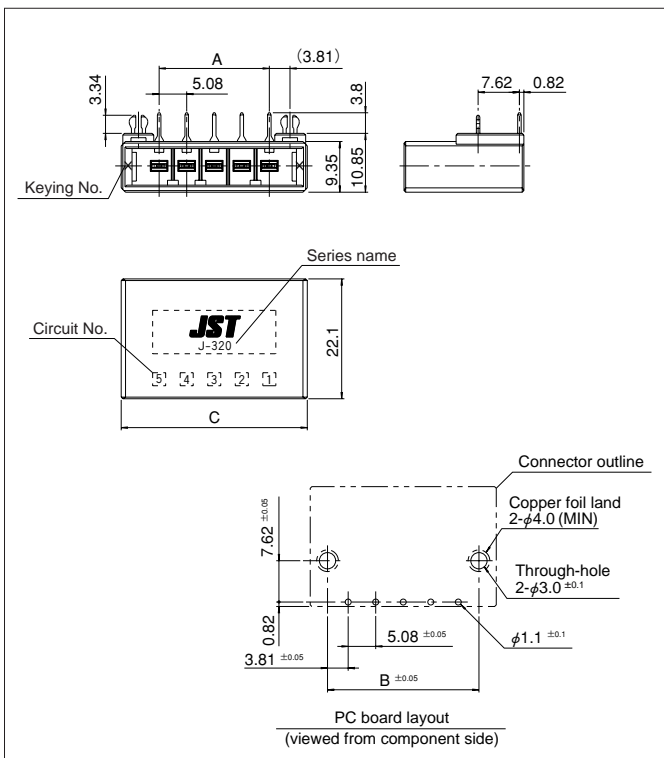
Circuits	Keying	Model No.	Dimensions (mm)			Q'ty/box
			A	B	C	
2	X	B02B-F32SK-GGXR	5.08	11.43	19.08	240
	Y	B02B-F32SK-GGYR	5.08	11.43	19.08	240
3	X	B03B-F32SK-GGXR	10.16	16.51	24.16	200
	Y	B03B-F32SK-GGYR	10.16	16.51	24.16	200
4	X	B04B-F32SK-GGXR	15.24	21.59	29.24	160
	Y	B04B-F32SK-GGYR	15.24	21.59	29.24	160
5	X	B05B-F32SK-GGXR	20.32	26.67	34.32	140
	Y	B05B-F32SK-GGYR	20.32	26.67	34.32	140
6	X	B06B-F32SK-GGXR	25.40	31.75	39.40	120
	Y	B06B-F32SK-GGYR	25.40	31.75	39.40	120

### Material and Finish

Tab contact: Copper alloy, nickel-undercoated, selective gold-plated  
Housing: Glass-filled PBT, UL94V-0, black  
Reinforcement: Copper alloy, nickel-undercoated, selective gold-plated

**RoHS2 compliance** This product displays (LF)(AU) on a label.  
Note: 1. Contact JST about the headers supplied in magazine stick.  
2. Contact JST about 0.76 μm gold-plated product and tin-plated product.

## Header (Side entry type)



Circuits	Keying	Model No.	Dimensions (mm)			Q'ty/box
			A	B	C	
2	X	S02B-F32SK-GGXR	5.08	12.70	19.08	180
	Y	S02B-F32SK-GGYR	5.08	12.70	19.08	180
3	X	S03B-F32SK-GGXR	10.16	17.78	24.16	150
	Y	S03B-F32SK-GGYR	10.16	17.78	24.16	150
4	X	S04B-F32SK-GGXR	15.24	22.86	29.24	120
	Y	S04B-F32SK-GGYR	15.24	22.86	29.24	120
5	X	S05B-F32SK-GGXR	20.32	27.94	34.32	105
	Y	S05B-F32SK-GGYR	20.32	27.94	34.32	105
6	X	S06B-F32SK-GGXR	25.40	33.02	39.40	90
	Y	S06B-F32SK-GGYR	25.40	33.02	39.40	90

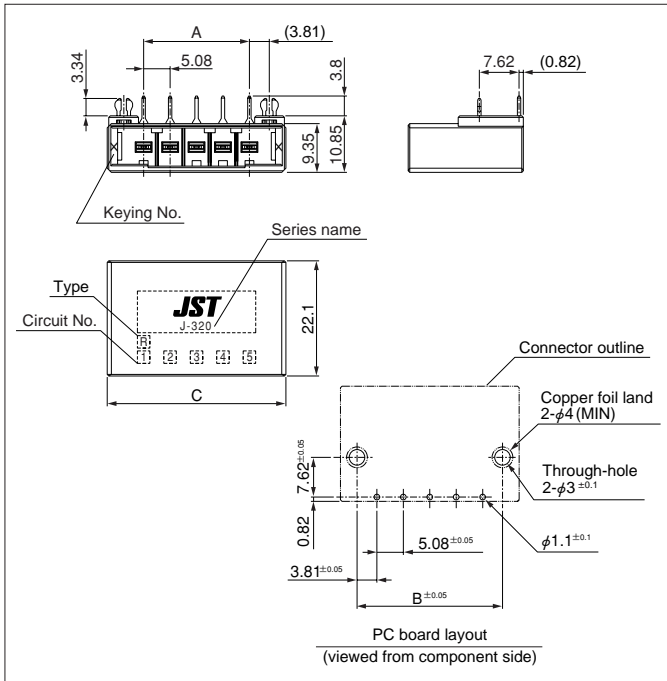
### Material and Finish

Tab contact: Copper alloy, nickel-undercoated, selective gold-plated  
Housing: Glass-filled PBT, UL94V-0, black  
Reinforcement: Copper alloy, nickel-undercoated, selective gold-plated

**RoHS2 compliance** This product displays (LF)(AU) on a label.  
Note: 1. Contact JST about the headers supplied in magazine stick.  
2. Contact JST about 0.76 μm gold-plated product and tin-plated product.

# J300 SERIES/J320S

## Header (Side entry type Reverse type)



Circuits	Keying	Model No.	Dimensions (mm)			Q'ty /box
			A	B	C	
5	X	SR05B-F32SK-GGXR	20.32	27.94	34.32	105
6	X	SR06B-F32SK-GGXR	25.40	33.02	39.40	90

### Material and Finish

Tab contact: Copper alloy, nickel-undercoated, selective gold-plated  
Housing: Glass-filled PBT, UL94V-0, black  
Reinforcement: Copper alloy, nickel-undercoated, selective gold-plated

**RoHS2 compliance** This product displays (LF)(AU) on a label.

Note: 1. Contact JST about the headers supplied in magazine stick.

2. Contact JST about 0.76 μm gold-plated product and tin-plated product.

3. Not TÜV approved.

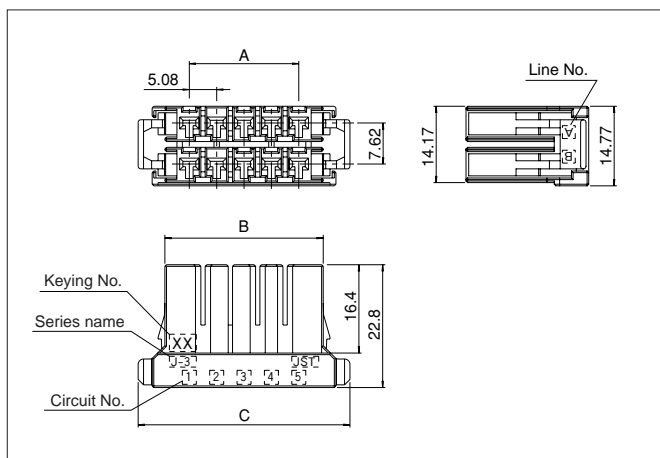
# J300 SERIES/J320M

## Assembly layout

		When mating with J320M receptacle	When mating with J320S receptacle modular
Wire-to-board	Top entry type		
	Side entry type		
Wire-to-wire	Free hanging type / Panel mounting type		

# J300 SERIES/J320M

## Receptacle housing



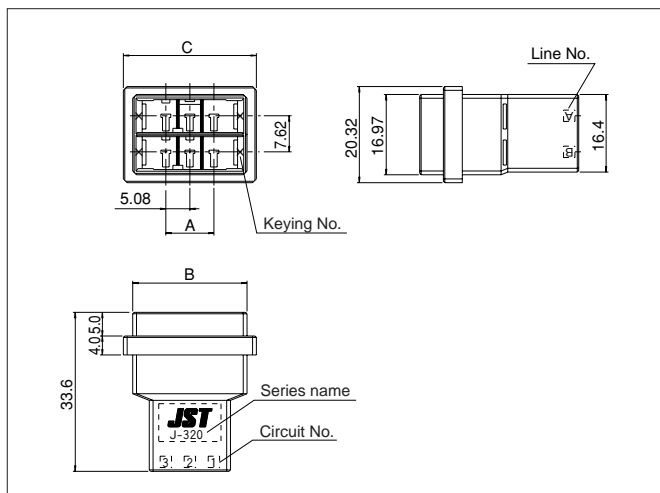
Circuits	Keying	Model No.	Dimensions (mm)			Q'ty /bag
			A	B	C	
6	XX	<b>F32FMS-06V-KXX</b>	10.16	19.24	29.16	100
	YY	<b>F32FMS-06V-KYY</b>	10.16	19.24	29.16	100
	XY	<b>F32FMS-06V-KXY</b>	10.16	19.24	29.16	100
10	XX	<b>F32FMS-10V-KXX</b>	20.32	29.40	39.32	100
	YY	<b>F32FMS-10V-KYY</b>	20.32	29.40	39.32	100
	XY	<b>F32FMS-10V-KXY</b>	20.32	29.40	39.32	100
12	XX	<b>F32FMS-12V-KXX</b>	25.40	34.48	44.40	100
	YY	<b>F32FMS-12V-KYY</b>	25.40	34.48	44.40	100
	XY	<b>F32FMS-12V-KXY</b>	25.40	34.48	44.40	100
20	XX	<b>F32FMS-20V-KXX</b>	45.72	54.80	64.72	84(box)

### Material and Finish

Glass-filled PBT, UL94V-0, black

RoHS2 compliance

## Tab housing (Free hanging type)



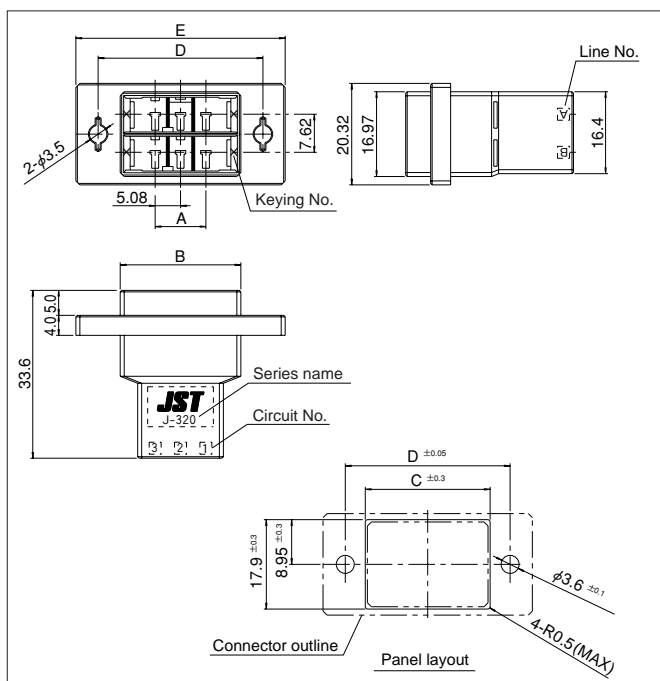
Circuits	Keying	Model No.	Dimensions (mm)			Q'ty /bag
			A	B	C	
6	XX	<b>F32MDF-06V-KXX</b>	10.16	24.16	28.11	100
	YY	<b>F32MDF-06V-KYY</b>	10.16	24.16	28.11	100
	XY	<b>F32MDF-06V-KXY</b>	10.16	24.16	28.11	100
12	XX	<b>F32MDF-12V-KXX</b>	25.40	39.40	43.35	100
	YY	<b>F32MDF-12V-KYY</b>	25.40	39.40	43.35	100
	XY	<b>F32MDF-12V-KXY</b>	25.40	39.40	43.35	100

### Material and Finish

Glass-filled PBT, UL94V-0, black

RoHS2 compliance

## Tab housing (Panel mounting type)



Circuits	Keying	Model No.	Dimensions (mm)					Q'ty /bag
			A	B	C	D	E	
6	XX	<b>F32MDP-06V-KXX</b>	10.16	24.16	25.00	33.00	41.91	100
	YY	<b>F32MDP-06V-KYY</b>	10.16	24.16	25.00	33.00	41.91	100
	XY	<b>F32MDP-06V-KXY</b>	10.16	24.16	25.00	33.00	41.91	100
12	XX	<b>F32MDP-12V-KXX</b>	25.40	39.40	41.00	49.00	57.91	100
	YY	<b>F32MDP-12V-KYY</b>	25.40	39.40	41.00	49.00	57.91	100
	XY	<b>F32MDP-12V-KXY</b>	25.40	39.40	41.00	49.00	57.91	100
20	XX	<b>F32MDP-20V-KXX</b>	45.72	59.72	61.00	70.00	78.23	42(box)

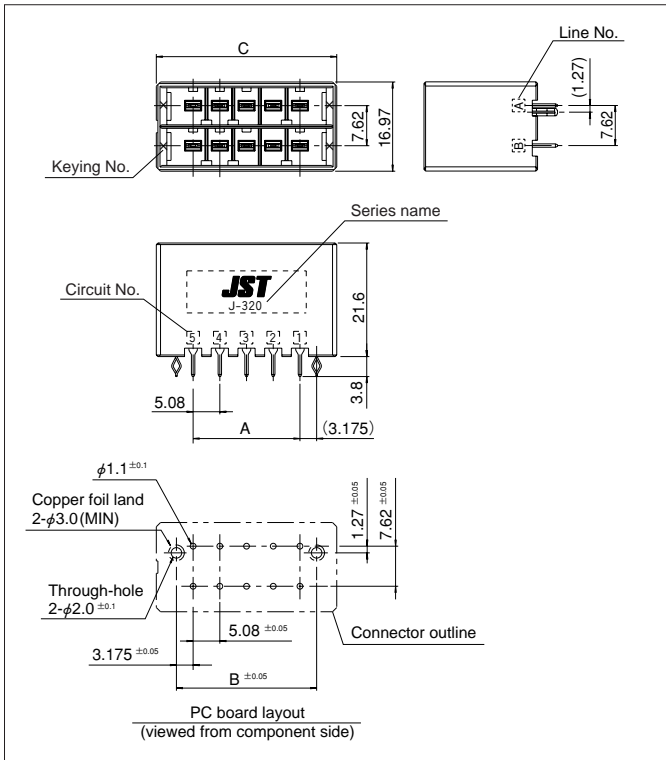
### Material and inish

Glass-filled PBT, UL94V-0, black

RoHS2 compliance

- Note: 1. Punch holes in the panel. Burrs must be removed.  
 2. The strength of the panel must be considered when punching two or more holes.  
 3. The connector must be inserted from the same side as the hole is punched.

## Header (Top entry type)



Circuits	Keying	Model No.	Dimensions (mm)			Q'ty /box
			A	B	C	
6	XX	B06B-F32MK-GGXXR	10.16	16.51	24.16	120
	YY	B06B-F32MK-GGYR	10.16	16.51	24.16	120
	XY	B06B-F32MK-GGXRYR	10.16	16.51	24.16	120
10	XX	B10B-F32MK-GGXXR	20.32	26.67	34.32	84
	YY	B10B-F32MK-GGYR	20.32	26.67	34.32	84
	XY	B10B-F32MK-GGXRYR	20.32	26.67	34.32	84
12	XX	B12B-F32MK-GGXXR	25.40	31.75	39.40	72
	YY	B12B-F32MK-GGYR	25.40	31.75	39.40	72
	XY	B12B-F32MK-GGXRYR	25.40	31.75	39.40	72

### Material and Finish

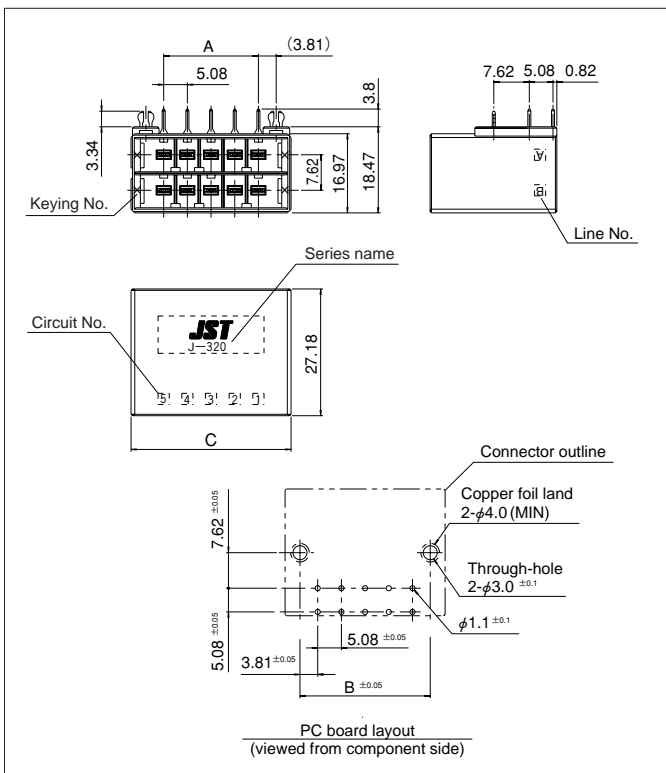
Tab contact: Copper alloy, nickel-undercoated, selective gold-plated  
Housing: Glass-filled PBT, UL94V-0, black  
Reinforcement: Copper alloy, nickel-undercoated, selective gold-plated

**RoHS2 compliance** This product displays (LF)(AU) on a label.

Note: 1. Contact JST about the headers supplied in magazine stick.

2. Contact JST about 0.76 μm gold-plated product and tin-plated product.

## Header (Side entry type)



Circuits	Keying	Model No.	Dimensions (mm)			Q'ty /box
			A	B	C	
6	XX	S06B-F32MK-GGXXR	10.16	17.78	24.16	80
	YY	S06B-F32MK-GGYR	10.16	17.78	24.16	80
	XY	S06B-F32MK-GGXRYR	10.16	17.78	24.16	80
8	XY	S08B-F32MK-GGXRYR	15.24	22.86	29.24	64
10	XX	S10B-F32MK-GGXXR	20.32	27.94	34.32	56
	YY	S10B-F32MK-GGYR	20.32	27.94	34.32	56
	XY	S10B-F32MK-GGXRYR	20.32	27.94	34.32	56
12	XX	S12B-F32MK-GGXXR	25.40	33.02	39.40	48
	YY	S12B-F32MK-GGYR	25.40	33.02	39.40	48
	XY	S12B-F32MK-GGXRYR	25.40	33.02	39.40	48

### Material and Finish

Tab contact: Copper alloy, nickel-undercoated, selective gold-plated  
Housing: Glass-filled PBT, UL94V-0, black  
Reinforcement: Copper alloy, nickel-undercoated, selective gold-plated

**RoHS2 compliance** This product displays (LF)(AU) on a label.

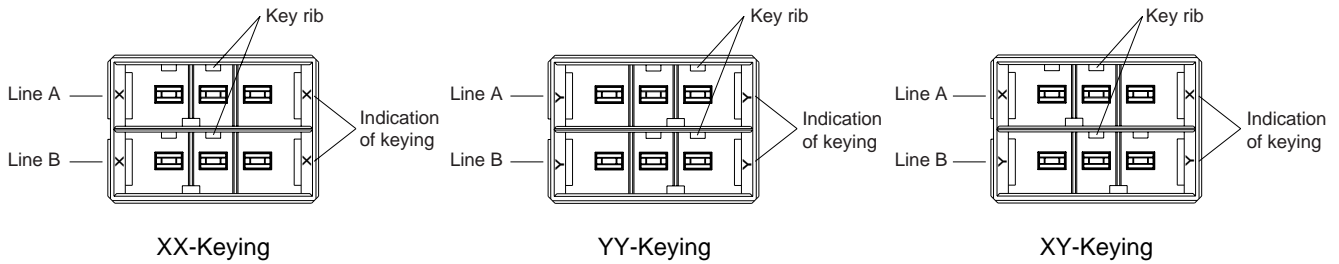
Note: 1. Contact JST about the headers supplied in magazine stick.

2. Contact JST about 0.76 μm gold-plated product and tin-plated product.

# J300 SERIES/J320M

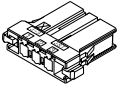


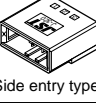
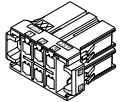
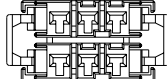
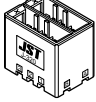
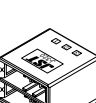
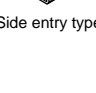
## Keying

J320M series have mis-insertion preventive keying.  
Available in 3 types – XX-Keying, YY-Keying and XY-Keying.  
(Headers viewed from the mating side are shown below.)



## List of combinations

With the combination of the J320M headers and the J320M/J320S receptacle housings, the following modular combinations are possible.

Receptacle housing		Tab housing		Header		
Single-row 3, 4, 5, 6 circuits (J320S) 	<u>X-Keying</u> F32FSS-■V-KX		<u>X-Keying</u> Free hanging type F32MSF-■V-KX Panel mounting type F32MSP-■V-KX	Single-row 3, 4, 5, 6 circuits (J320S) 	<u>X-Keying</u> Top entry type B■B-F32SK-GGXR Side entry type S■B-F32SK-GGXR	
	<u>Y-Keying</u> F32FSS-■V-KY		<u>Y-Keying</u> Free hanging type F32MSF-■V-KY Panel mounting type F32MSP-■V-KY		Top entry type 	<u>Y-Keying</u> Top entry type B■B-F32SK-GGYR Side entry type S■B-F32SK-GGYR
Double-row 6,10,12,20 circuits (J320M) 	<u>XX-Keying</u> F32FMS-■V-KXX		<u>XX-Keying</u> Free hanging type F32MDF-■V-KXX Panel mounting type F32MDP-■V-KXX	Double-row 6, 8, 10, 12 circuits (J320M) 	<u>XX-Keying</u> Top entry type B■B-F32MK-GGXXR Side entry type S■B-F32MK-GGXXR	
	<u>YY-Keying</u> F32FMS-■V-KYY		<u>YY-Keying</u> Free hanging type F32MDF-■V-KYY Panel mounting type F32MDP-■V-KYY		Top entry type 	<u>YY-Keying</u> Top entry type B■B-F32MK-GGYR Side entry type S■B-F32MK-GGYR
	<u>XY-Keying</u> F32FMS-■V-KXY		<u>XY-Keying</u> Free hanging type F32MDF-■V-KXY Panel mounting type F32MDP-■V-KXY		Side entry type 	<u>XY-Keying</u> Top entry type B■B-F32MK-GGXYR Side entry type S■B-F32MK-GGXYR

Note: Number of circuits is indicated in ■■.

# J300 SERIES/J320T

## Assembly layout

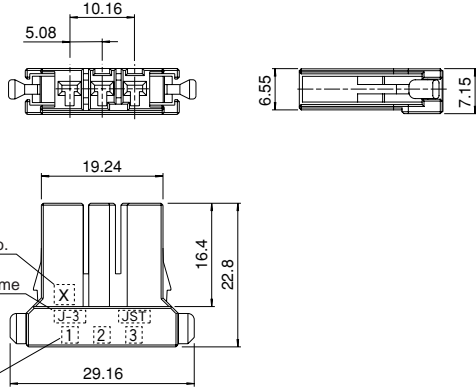
		When mating with J320S receptacle	When mating with J320M receptacle
Wire-to-board	Side entry type		



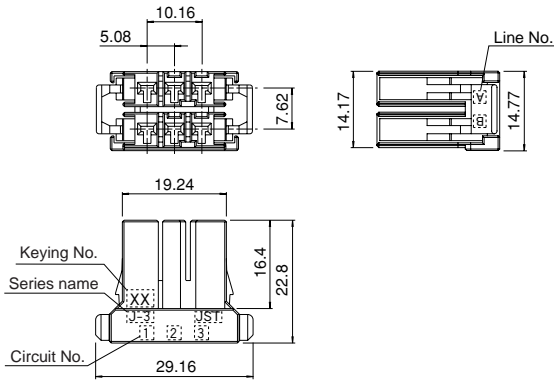
# J300 SERIES/J320T

## Receptacle housing

### Single-row type • 3 circuits



### Double-row type • 6 circuits



Circuits	Keying	Model No.	Q'ty/bag
3	X	<b>F32FSS-03V-KXX</b>	200
	Y	<b>F32FSS-03V-KY</b>	200

#### Material and Finish

Glass-filled PBT, UL94V-0, black

#### RoHS2 compliance

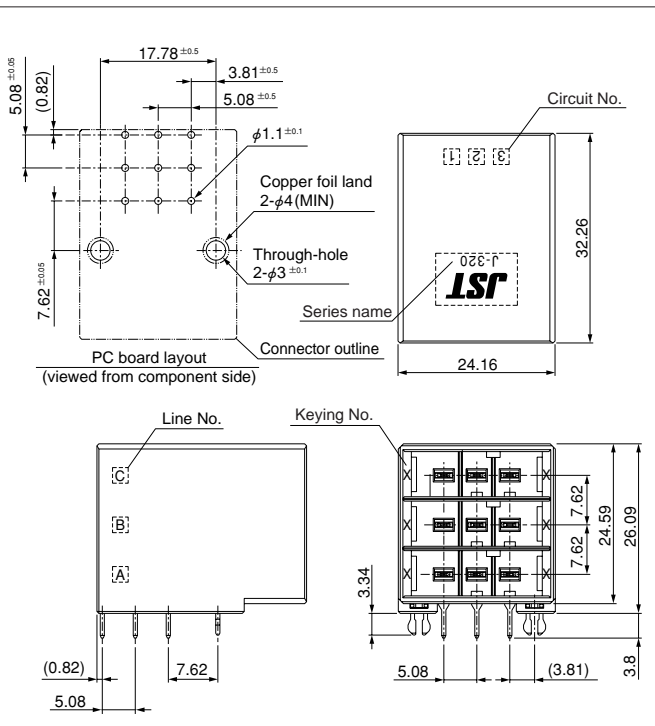
Circuits	Keying	Model No.	Q'ty/bag
6	XX	<b>F32FMS-06V-KXX</b>	100
	YY	<b>F32FMS-06V-KYY</b>	100
	XY	<b>F32FMS-06V-KXY</b>	100

#### Material and Finish

Glass-filled PBT, UL94V-0, black

#### RoHS2 compliance

## Header (Side entry type)



Circuits	Keying	Model No.	Q'ty/box
9	XXX	<b>S09B-F32TK-GGXAR</b>	42
	XXY	<b>S09B-F32TK-GGXBR</b>	42
	XYX	<b>S09B-F32TK-GGXCR</b>	42
	YYX	<b>S09B-F32TK-GGXDR</b>	42

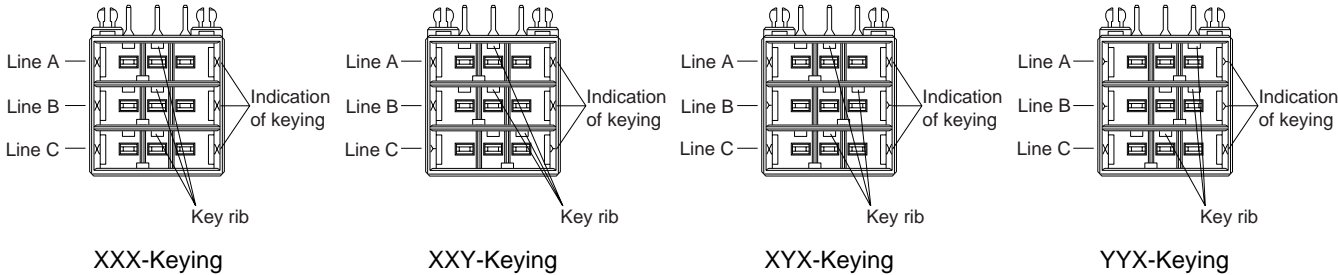
#### Material and Finish

Tab contact: Copper alloy, nickel-undercoated, selective gold-plated  
Housing: Glass-filled PBT, UL94V-0, black  
Reinforcement: Copper alloy, nickel-undercoated, selective gold-plated

**RoHS2 compliance** This product displays (LF)(AU) on a label.  
Note: Contact JST about 0.76 μm gold-plated product and tin-plated product.

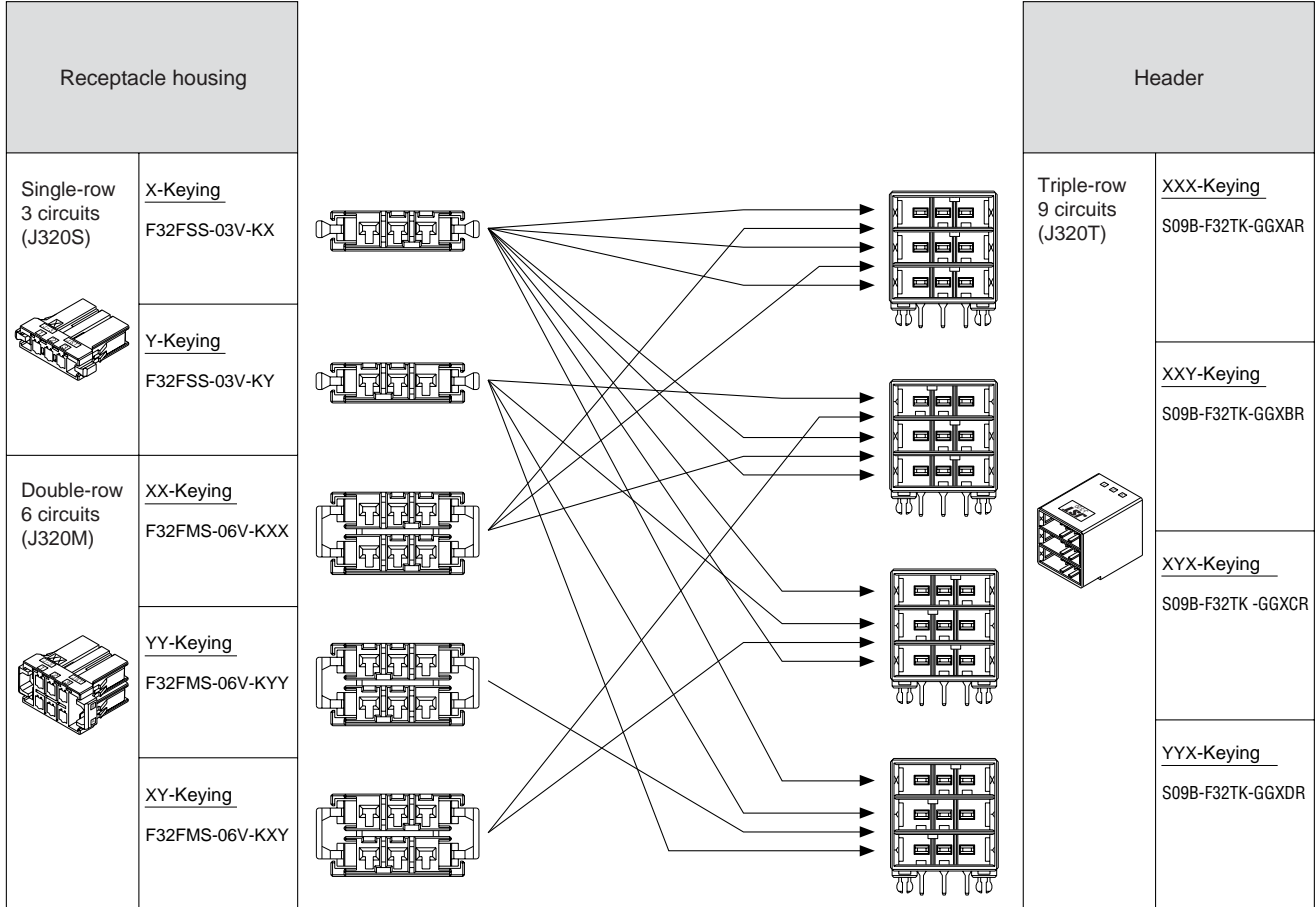
## Keying

J320T series have mis-insertion preventive keying.  
 Available in 4 types – XXX-Keying, XXY-Keying, XYX-Keying and YYX-Keying.  
 (Headers viewed from the mating side are shown below.)



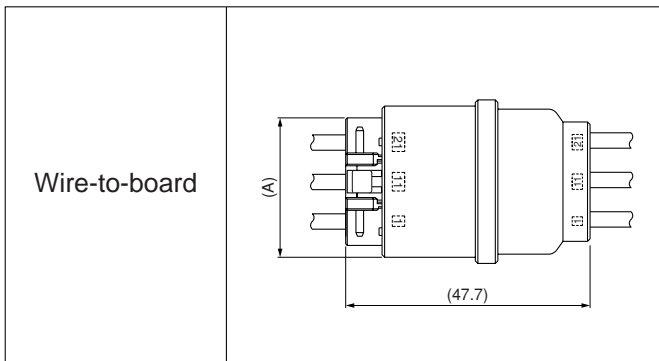
## List of combinations

With the combination of the J320T headers and the J320S/J320M receptacle housings, the following modular combinations are possible.



# J300 SERIES/J330

## Assembly layout



## Specifications

• Current rating: (AC, DC)

Unit: A

Circuits	Wire size (AWG)				Dimensions (mm)
	#14	#16	#18	#20	A
30	8.5	7.0	5.5	4.0	27.2
40	8.5	7.0	5.5	4.0	34.9

• Voltage rating: 600 V AC, DC

• Temperature range: -55°C to +105°C

(including temperature rise in applying electrical current)

• Contact resistance: Initial value/ 5 mΩ max.

After environmental tests/ 10 mΩ max.

• Insulation resistance: 1,000 MΩ min.

• Withstanding voltage: 2,200 VAC/minute

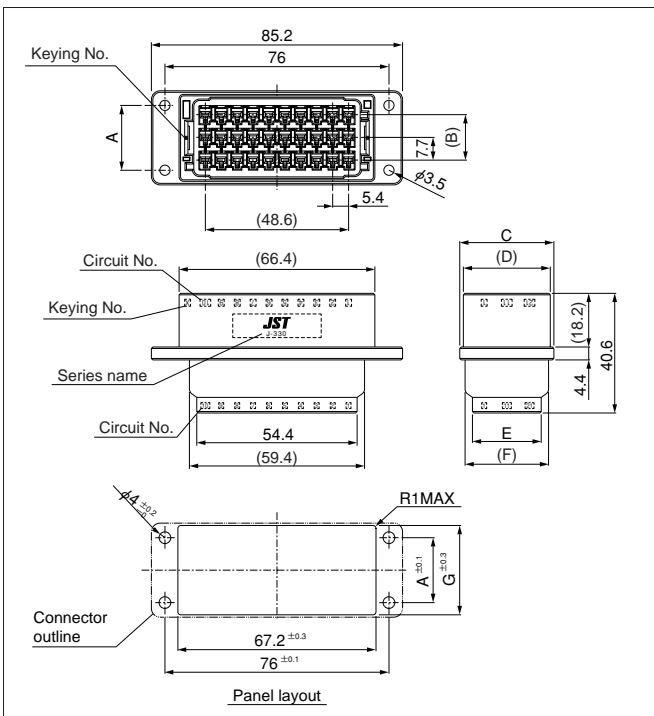
• Applicable wire: AWG #28 to #14

\* In using the products, refer to "Handling Precaution for Terminal and Connector" described on our website (Technical documents of Product information page).

\* Contact JST for details.

\* RoHS2 compliance.

## Receptacle housing (Reverse type Panel mounting type)



Circuits	Keying	Model No.	Dimensions (mm)							Q'ty /box
			A	B	C	D	E	F	G	
30	X	F33FRTPA-30V-KX	22.0	15.4	31.9	29.5	23.3	28.3	30.3	56
	Y	F33FRTPA-30V-SY	22.0	15.4	31.9	29.5	23.3	28.3	30.3	56
	Z	F33FRTPA-30V-EZ	22.0	15.4	31.9	29.5	23.3	28.3	30.3	56
40	X	F33FRFPA-40V-KX	29.7	23.1	39.6	37.2	31.0	36.0	38.0	12
	Y	F33FRFPA-40V-SY	29.7	23.1	39.6	37.2	31.0	36.0	38.0	12
	Z	F33FRFPA-40V-EZ	29.7	23.1	39.6	37.2	31.0	36.0	38.0	12
	W	F33FRFPA-40V-MW	29.7	23.1	39.6	37.2	31.0	36.0	38.0	12

### Material and Finish

Glass-filled PBT, UL94V-0, X-Keying (black), Y-Keying (white), Z-Keying (blue), W-Keying (green)

### RoHS2 compliance

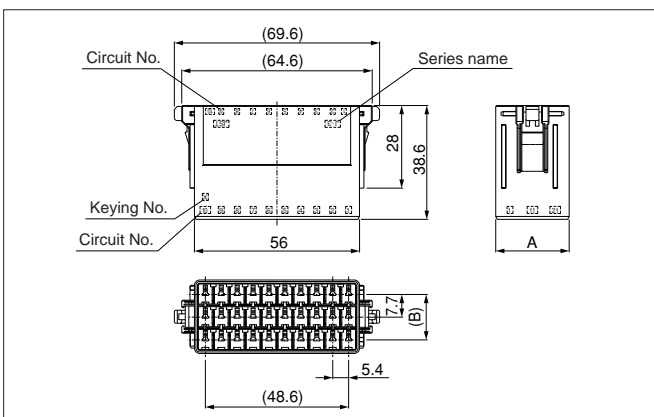
Note: 1. Punch holes in the panel. Burrs must be removed.

2. The strength of the panel must be considered when punching two or more holes.

3. The connector must be inserted from the same side as the hole is punched.

4. Not UL/TÜV approved.

## Tab housing (Reverse type)



Circuits	Keying	Model No.	Dimensions (mm)		Q'ty /box
			A	B	
30	X	F33MRFS-30V-KX	24.9	15.4	64
	Y	F33MRFS-30V-SY	24.9	15.4	64
	Z	F33MRFS-30V-EZ	24.9	15.4	64
40	X	F33MRFS-40V-KX	32.6	23.1	64
	Y	F33MRFS-40V-SY	32.6	23.1	64
	Z	F33MRFS-40V-EZ	32.6	23.1	64
	W	F33MRFS-40V-MW	32.6	23.1	64

### Material and Finish

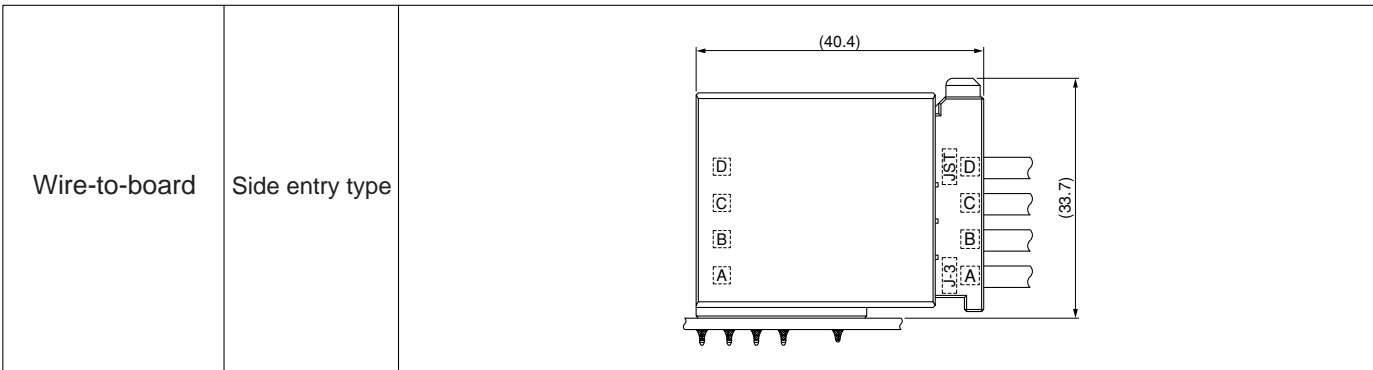
Glass-filled PBT, UL94V-0, X-Keying (black), Y-Keying (white), Z-Keying (blue), W-Keying (green)

### RoHS2 compliance

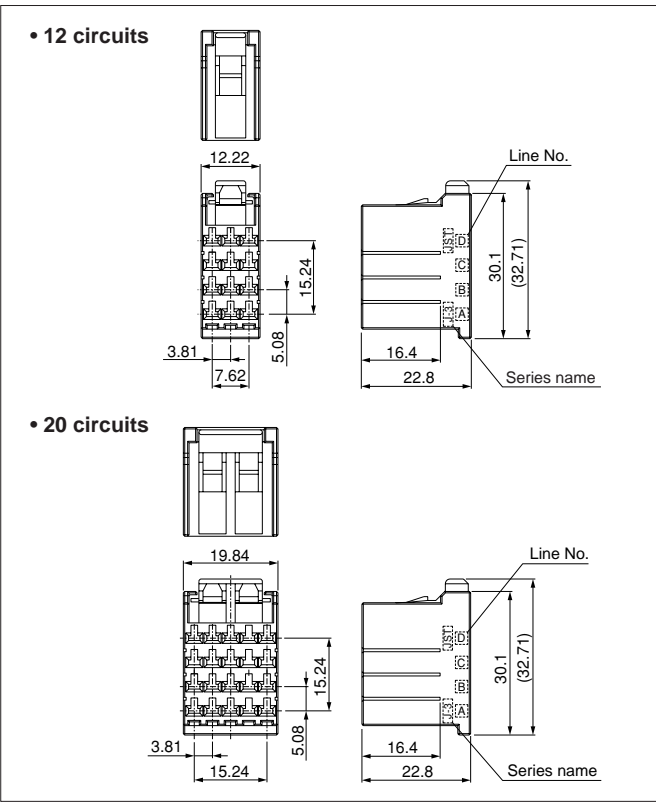
Note: Not UL/TÜV approved.

# J300 SERIES/J340F

## Assembly layout



## Receptacle housing

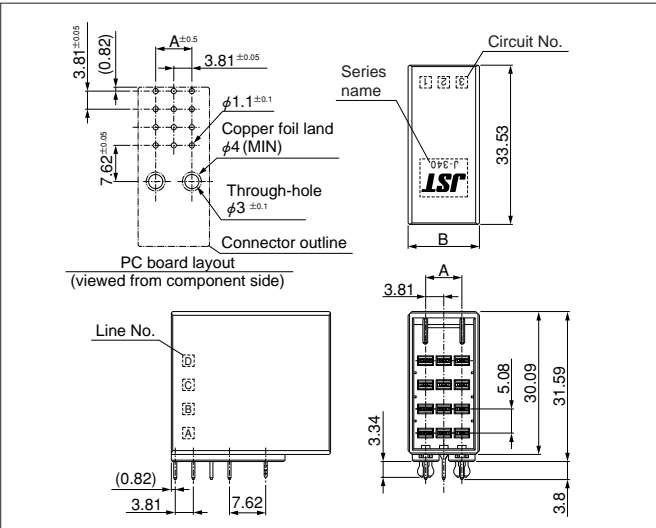


Circuits	Keying	Model No.	Q'ty/bag
12	—	<b>F34FFC-12V-K</b>	100
20	—	<b>F34FFC-20V-K</b>	100

Material and Finish			
Glass-filled PBT, UL94V-0, black			

**RoHS2 compliance**

## Header (Side entry type)



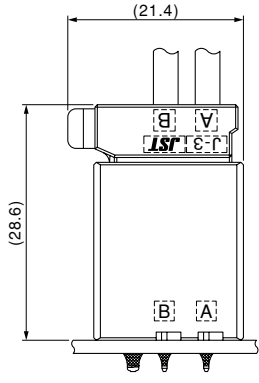
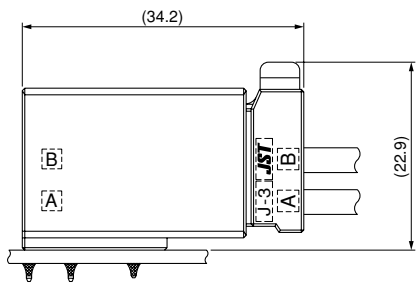
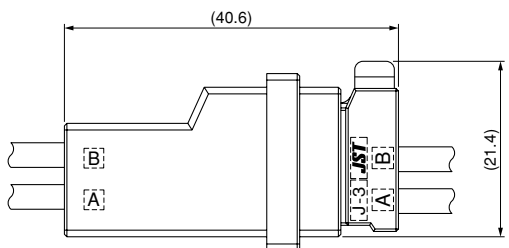
Circuits	Keying	Model No.	Dimensions (mm)		Q'ty/box
			A	B	
12	—	<b>SC12B-F34FK-GGR</b>	7.62	15.02	63
20	—	<b>SC20B-F34FK-GGR</b>	15.24	22.64	42

Material and Finish					
Tab contact: Copper alloy, nickel-undercoated, selective gold-plated					
Housing: Glass-filled PBT, UL94V-0, black					
Reinforcement: Copper alloy, nickel-undercoated, selective gold-plated					

**RoHS2 compliance** This product displays (LF)(AU) on a label.  
 Note: Contact JST about 0.76 μm gold-plated product and tin-plated product.

# J300 SERIES/J350D

## Assembly layout

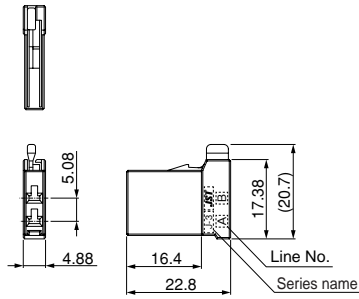
<p>Wire-to-board</p>	<p>&lt;Top entry type&gt;</p> 	<p>&lt;Side entry type&gt;</p> 
<p>Wire-to-wire</p>	<p>&lt;Free hanging type / Panel mounting type&gt;</p> 	

\*When mating with receptacle housing (2-circuit)

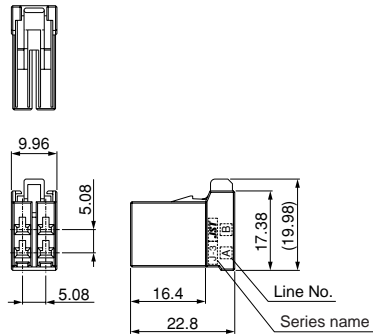
# J300 SERIES/J350D

## Receptacle housing

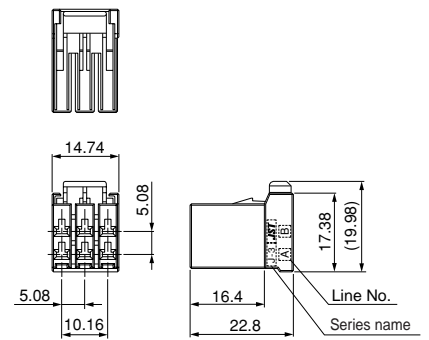
### • 2 circuits



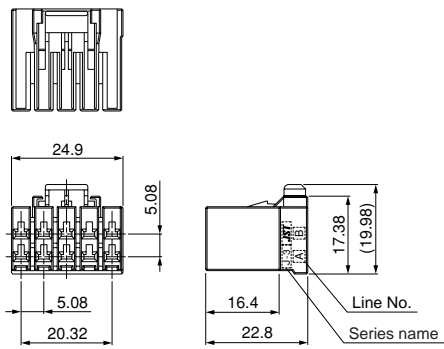
### • 4 circuits



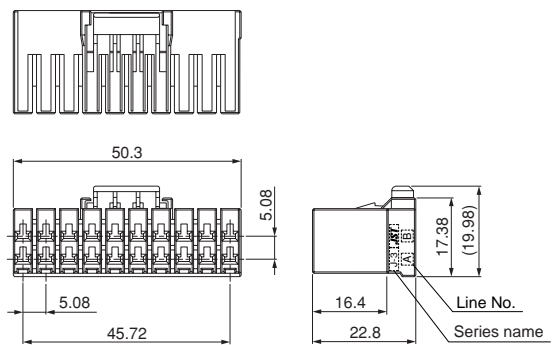
### • 6 circuits



### • 10 circuits



### • 20 circuits



Circuits	Keying	Model No.	Q'ty/bag
2	—	F35FDC-02V-K	200
4	—	F35FDC-04V-K	200
6	—	F35FDC-06V-K	200
10	—	F35FDC-10V-K	100
20	—	F35FDC-20V-K	100

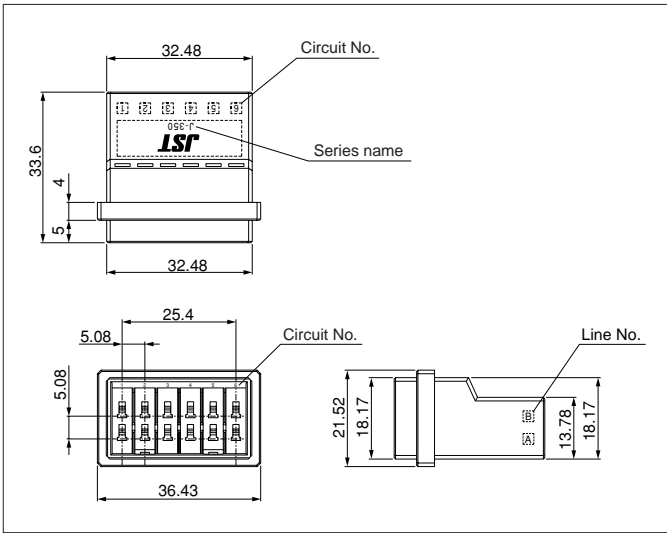
#### Material and Finish

Glass-filled PBT, UL94V-0, black

RoHS2 compliance

# J300 SERIES/J350D

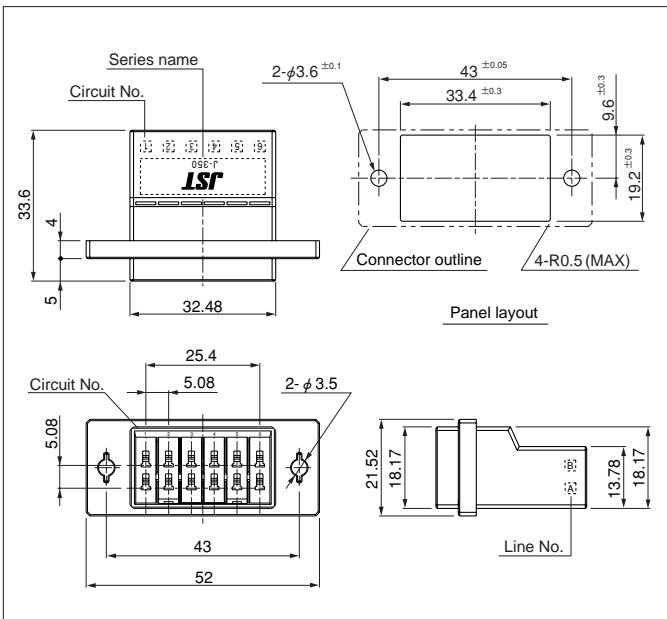
## Tab housing (Free hanging type)



Circuits	Keying	Model No.	Q'ty/box
12	—	<b>F35MDF-12V-K</b>	50
Material and Finish			
Glass-filled PBT, UL94V-0, black			

**RoHS2 compliance**  
 Note: Not TÜV approved.

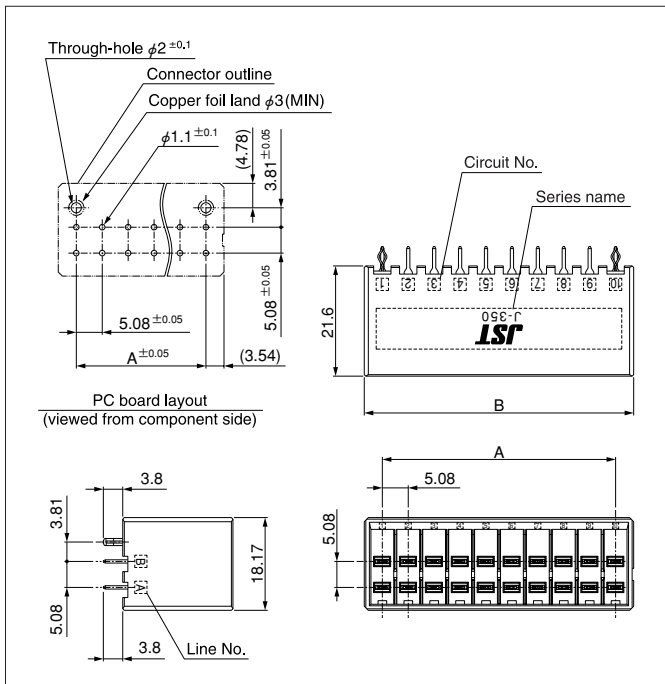
## Tab housing (Panel mounting type)



Circuits	Keying	Model No.	Q'ty/box
12	—	<b>F35MDP-12V-K</b>	41
Material and Finish			
Glass-filled PBT, UL94V-0, black			

**RoHS2 compliance**  
 Note: 1. Punch holes in the panel. Burrs must be removed.  
 2. The strength of the panel must be considered when punching two or more holes.  
 3. The connector must be inserted from the same side as the hole is punched.  
 4. Not TÜV approved.

## Header (Top entry type)



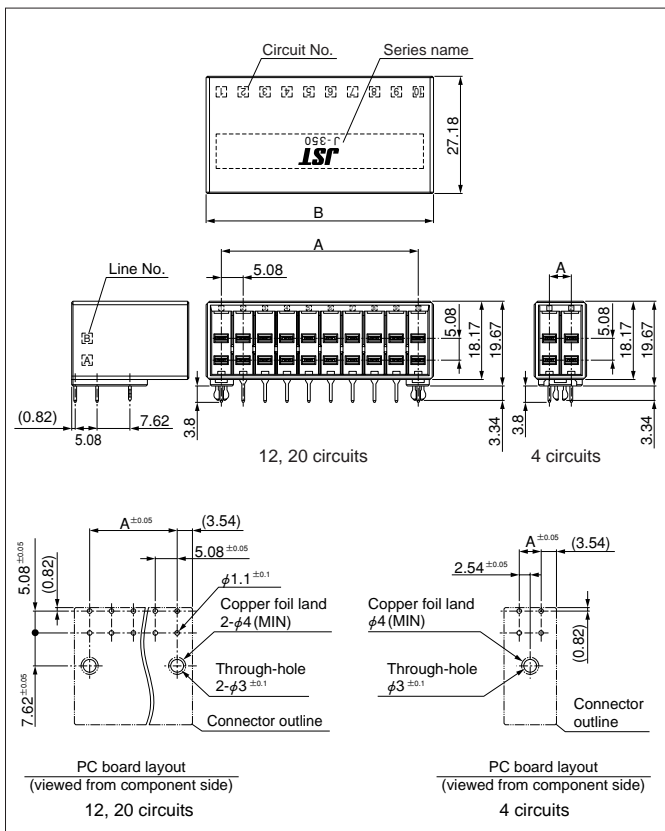
Circuits	Keying	Model No.	Dimensions (mm)		Q'ty/box
			A	B	
12	—	BC12B-F35DK-GGR	25.40	32.48	56
20	—	BC20B-F35DK-GGR	45.72	52.80	32

### Material and Finish

Tab contact: Copper alloy, nickel-undercoated, selective gold-plated  
Housing: Glass-filled PBT, UL94V-0, black  
Reinforcement: Copper alloy, nickel-undercoated, selective gold-plated

**RoHS2 compliance** This product displays (LF)(AU) on a label.  
Note: Contact JST about 0.76  $\mu$ m gold-plated product and tin-plated product.

## Header (Side entry type)



Circuits	Keying	Model No.	Dimensions (mm)		Q'ty/box
			A	B	
4	—	SC04B-F35DK-GGR	5.08	12.16	152
12	—	SC12B-F35DK-GGR	25.40	32.48	56
20	—	SC20B-F35DK-GGR	45.72	52.80	32

### Material and Finish

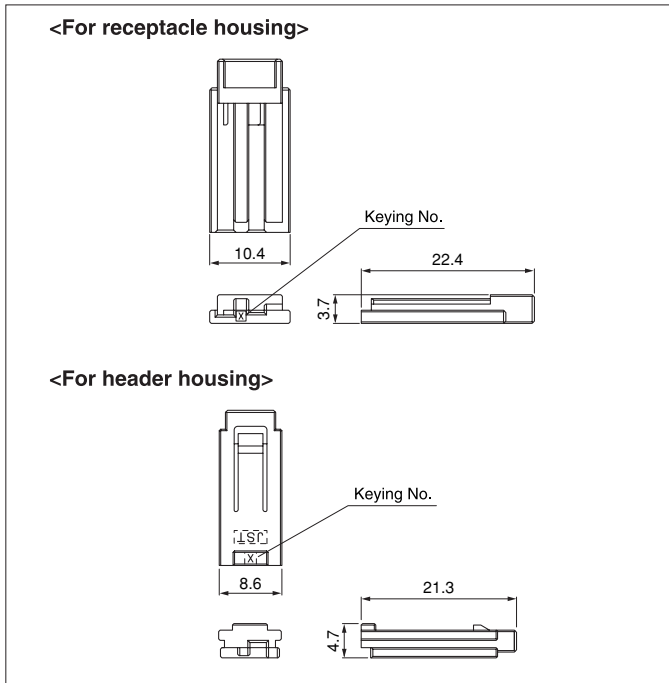
Tab contact: Copper alloy, nickel-undercoated, selective gold-plated  
Housing: Glass-filled PBT, UL94V-0, black  
Reinforcement: Copper alloy, nickel-undercoated, selective gold-plated

**RoHS2 compliance** This product displays (LF)(AU) on a label.  
Note: Contact JST about 0.76  $\mu$ m gold-plated product and tin-plated product.



# J300 SERIES/KEYING BLOCK

## Keying block



Circuits	Keying	Model No.	Q'ty/bag
For receptacle housing	X	<b>J3KF-VR-X</b>	1,000
	Y	<b>J3KF-VY-Y</b>	1,000
	Z	<b>J3KF-VE-Z</b>	1,000
	W	<b>J3KF-VS-W</b>	1,000
For header housing	X	<b>J3KM-VR-X</b>	1,000
	Y	<b>J3KM-VY-Y</b>	1,000
	Z	<b>J3KM-VE-Z</b>	1,000
	W	<b>J3KM-VS-W</b>	1,000

### Material

Glass-filled PBT, UL94V-0, X-Keying (red), Y-Keying (yellow), Z-Keying (blue), W-Keying (white)

### RoHS2 compliance

Note: Not UL/TÜV approved.

## Features

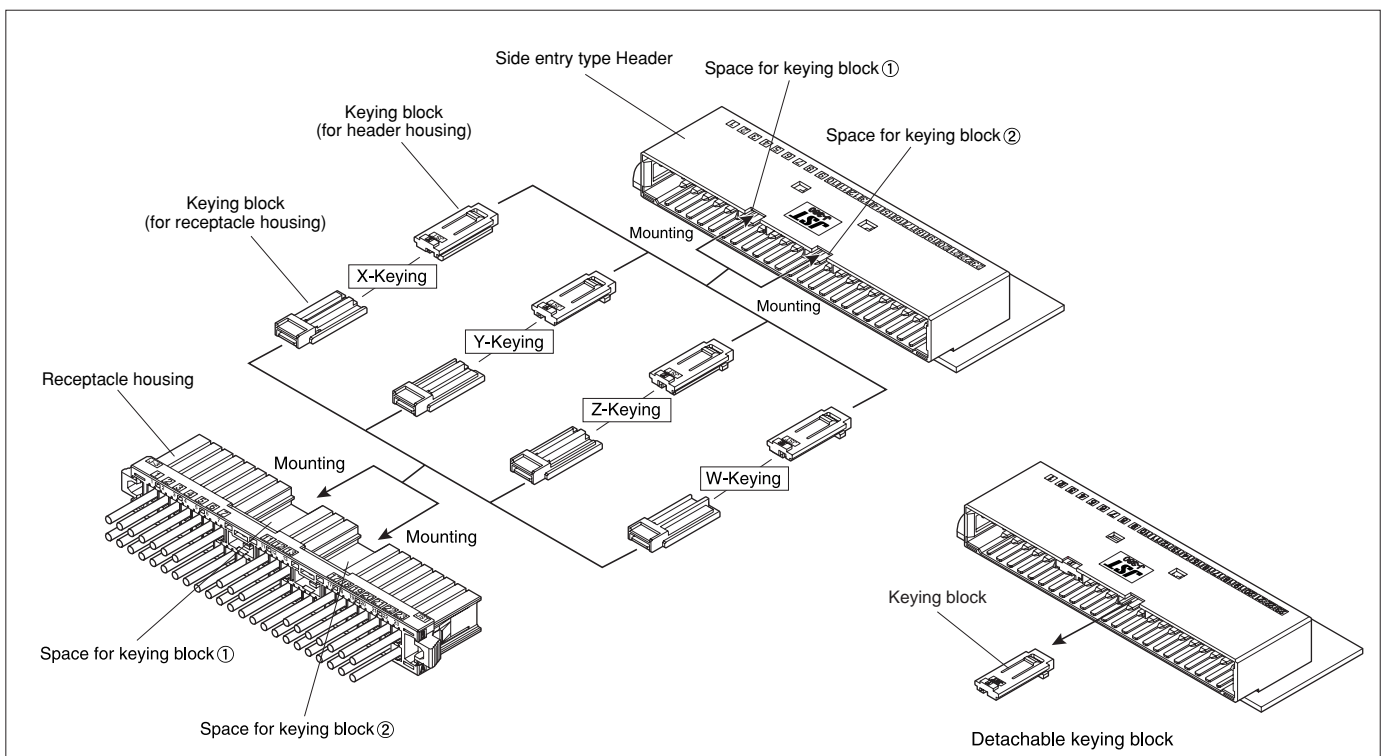
**Mis-mating prevention keying block can be freely mounted to keying block space.**

- 16 types of keying can be provided by mounting 4 types of keying block to 2 keying block spaces.
- Since a color varies on each type of keying, the kind of keying is easy to recognize.

### Variation of keying

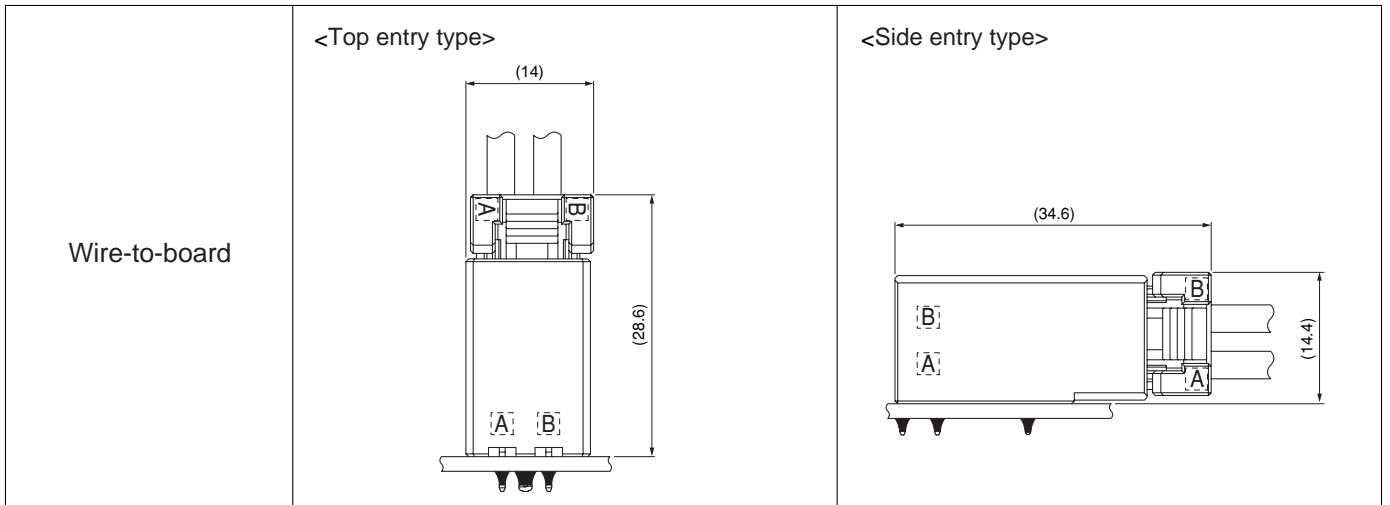
	X-Keying (red)	Y-Keying (yellow)	Z-Keying (blue)	W-Keying (white)
For header housing				
For receptacle housing				

## How to use keying block (When using J380D)

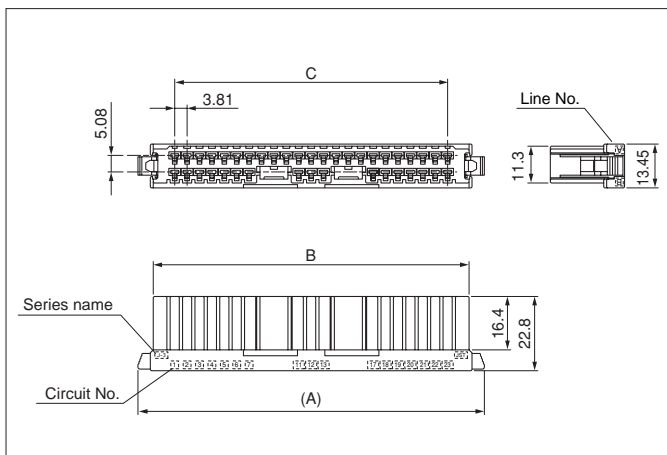


# J300 SERIES/J380D (for keying block)

## Assembly layout



## Receptacle housing



Circuits	Keying	Model No.	Dimensions (mm)			Q'ty /bag
			A	B	C	
20	—	<b>F38FDS-20V-KE</b>	68.3	58.9	45.72	100
40	—	<b>F38FDS-40V-KE</b>	106.4	97.0	83.82	60

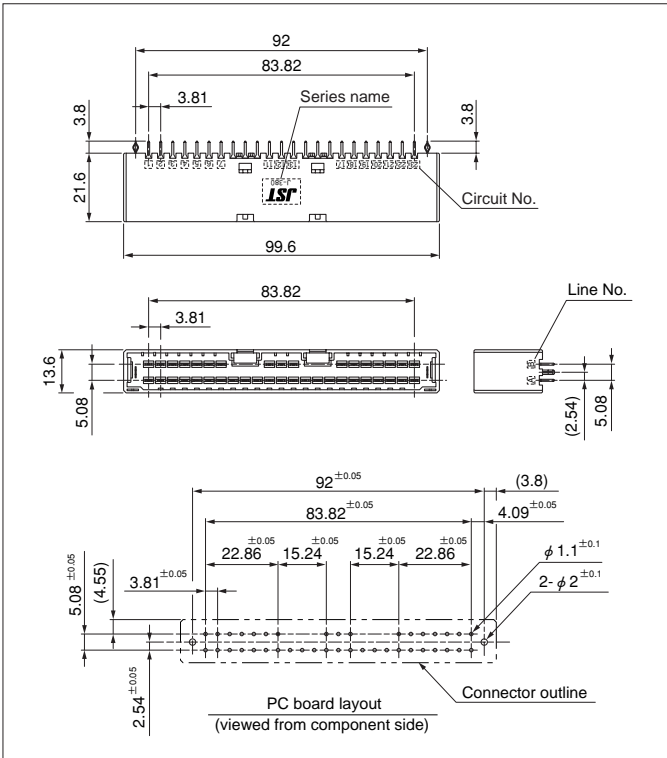
### Material and Finish

Glass-filled PBT, UL94V-0, black

**RoHS2 compliance** This product displays (LF)(AU) on a label.  
Note: Not UL/TUV approved.

# J300 SERIES/J380D (for keying block)

## Header (Top entry type)



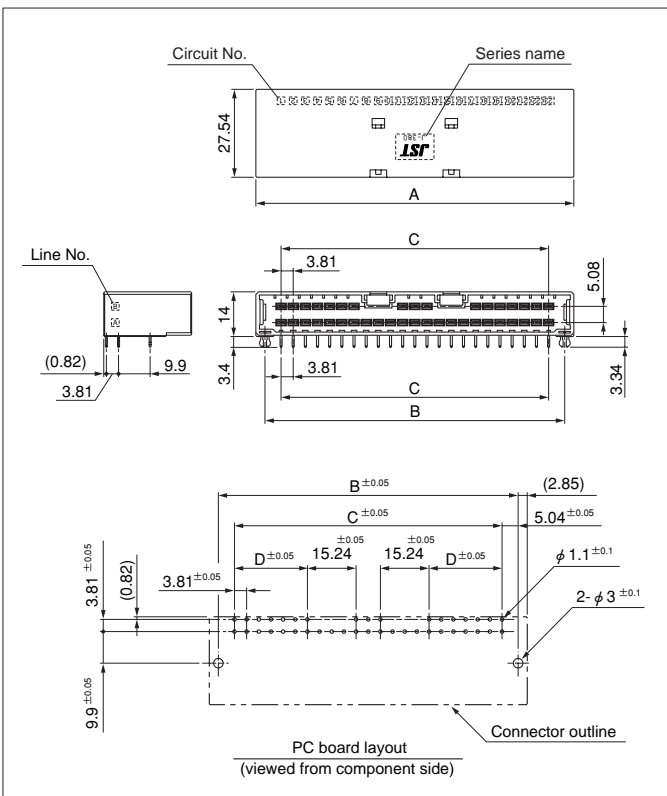
Circuits	Keying	Model No.	Q'ty/box
40	—	<b>B04B-F38DK-GGER</b>	—

### Material and Finish

Tab contact: Copper alloy, nickel-undercoated, selective gold-plated  
Housing: Glass-filled PBT, UL94V-0, black  
Reinforcement: Copper alloy, nickel-undercoated, selective gold-plated

**RoHS2 compliance** This product displays (LF)(AU) on a label.  
Note: 1. Contact JST about 0.76 μm gold-plated product and tin-plated product.  
2. Not UL/TÜV approved.

## Header (Side entry type)



Circuits	Keying	Model No.	Dimensions (mm)				Q'ty /box
			A	B	C	D	
20	—	<b>S20B-F38DK-GGER</b>	61.5	55.8	45.72	3.81	—
40	—	<b>S40B-F38DK-GGER</b>	99.6	93.9	83.82	22.86	—

### Material and Finish

Tab contact: Copper alloy, nickel-undercoated, selective gold-plated  
Housing: Glass-filled PBT, UL94V-0, black  
Reinforcement: Copper alloy, nickel-undercoated, selective gold-plated

**RoHS2 compliance** This product displays (LF)(AU) on a label.  
Note: 1. Contact JST about 0.76 μm gold-plated product and tin-plated product.  
2. Not UL/TÜV approved.



# J300 SERIES COMMON TYPE/J350D

## Double-row Common type (J350D)

Unit: A

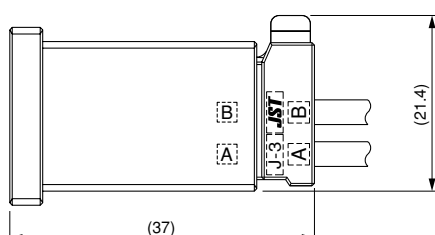
Receptacle side	Tab side	Appearance	Circuit figure	Current rating ( AC, DC)						
				Wire size (AWG)						
				Circuit	Note 1	#14	#16	#18	#20	Remark
Normal Receptacle housing	Contact for common connection Tab side		 Contact for common connection Tab side	12	-	13.0	11.5	9.5	7.5	Total input current on single-row
Receptacle housing assembly with common connection	Contact for common connection Tab side		 Contact for common connection Tab side Contact for common connection Receptacle side	12	-	13.0	11.5	9.5	7.5	Total input current on all circuits
	Header		 Contact for common connection Receptacle side Tab contact	4	11.25	11.25	11.25	10.0	8.0	-
				12	8.25	8.25	8.25	7.75	6.0	
				20	8.0	8.0	8.0	7.25	6.0	
Tab housing		 Contact for common connection Receptacle side Tab contact	12	-	8.25	8.25	7.75	6.0	-	

• Rationalization of wiring is realized by the common connection inside the connector

Note: Use only receptacle housing assembly with common connection.

## Assembly layout

### Direct mounting type



\*When mating with receptacle housing (2-circuit)

## Specifications

- Current rating: Refer to the above table.
- Voltage rating: 600 V AC, DC
- Temperature range: -55°C to +105°C  
(including temperature rise in applying electrical current)
- Contact resistance: Initial value/ 10 mΩ max.  
After environmental tests/ 20 mΩ max.
- Insulation resistance: 1,000 MΩ min.
- Withstanding voltage: 2,200 VAC/minute
- Applicable wire: AWG #28 to #14

\* In using the products, refer to "Handling Precaution for Terminal and Connector" described on our website (Technical documents of Product information page).

- \* Contact JST for details.
- \* Compliant with RoHS2.

# J300 SERIES COMMON TYPE/J350D

## Receptacle housing

**• 2 circuits**

**• 4 circuits**

**• 6 circuits**

**• 10 circuits**

Circuits	Keying	Model No.	Q'ty/bag
2	—	<b>F35FDC-02V-K</b>	200
4	—	<b>F35FDC-04V-K</b>	200
6	—	<b>F35FDC-06V-K</b>	200
10	—	<b>F35FDC-10V-K</b>	100

**Material and Finish**

Glass-filled PBT, UL94V-0, black

**RoHS2 compliance**

## Receptacle housing assembly with common connection

Circuits	Keying	Model No.	Q'ty/box
—	—	<b>F35FDC-00(2-A1D)V-EC</b>	700

**Material and Finish**

Contact for common connection: Copper alloy, nickel-undercoated, selective gold-plated  
Housing: Glass-filled PBT, UL94V-0, blue

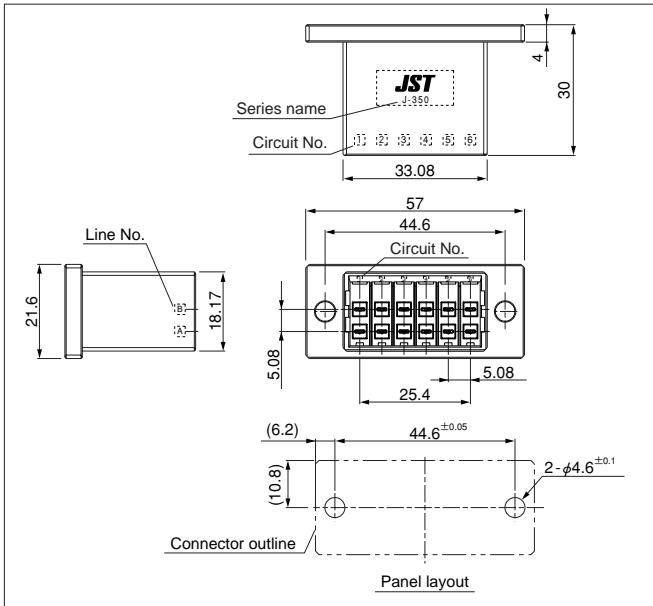
**RoHS2 compliance**

*Note:* 1. Contact JST about 0.76  $\mu$ m gold-plated product and tin-plated product.  
2. Not UL/TÜV approved.

Cross-section of receptacle housing assembly with common connection	Illustration when using	Circuit figure when using
<p>Inserted the contact for common connection to the inside of receptacle housing</p>	<p>*When using receptacle housing assembly with common connection</p>	<p>Contact for common connection Tab side</p> <p>Contact for common connection Receptacle side</p>

# J300 SERIES COMMON TYPE/J350D

## Tab housing Assembly



Circuits	Keying	Model No.	Q'ty/box
12	—	<b>P12B-F35DK-GFAR</b>	196

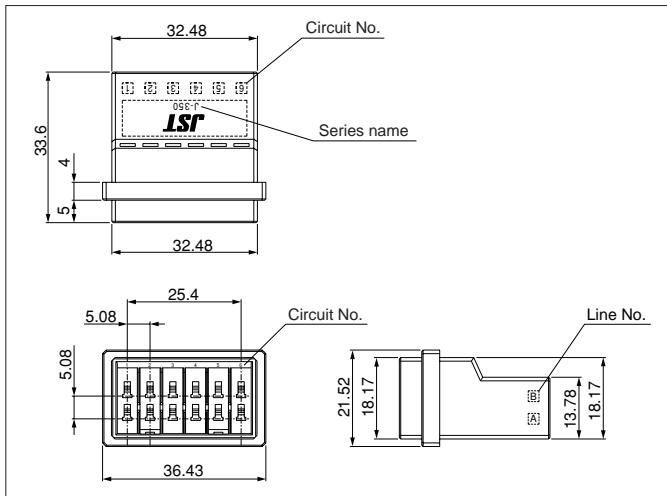
### Material and Finish

Tab contact: Copper alloy, nickel-undercoated, selective gold-plated  
Housing: Glass-filled PBT, UL94V-0, black

### RoHS2 compliance

- Note: 1. Punch holes in the panel. Burrs must be removed.  
2. The strength of the panel must be considered when punching two or more holes.  
3. The connector must be inserted from the same side as the hole is punched.  
4. Contact JST about 0.76 μm gold-plated product and tin-plated product.  
5. Refer to the top page of J350D (Common type) for circuit figure.

## Tab housing (Free hanging type)



Circuits	Keying	Model No.	Q'ty/box
12	—	<b>F35MDF-12V-K</b>	50

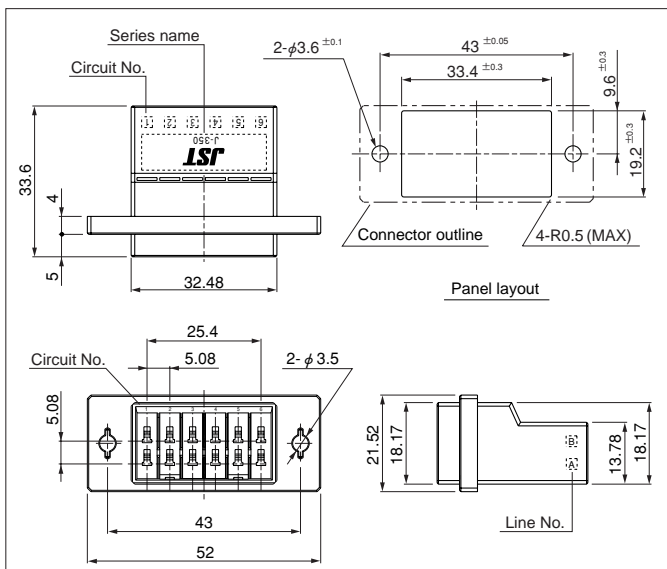
### Material and finish

Glass-filled PBT, UL94V-0, black

### RoHS2 compliance

Note: Not TÜV approved.

## Tab housing (Panel mounting type)



Circuits	Keying	Model No.	Q'ty/box
12	—	<b>F35MDP-12V-K</b>	41

### Material and Finish

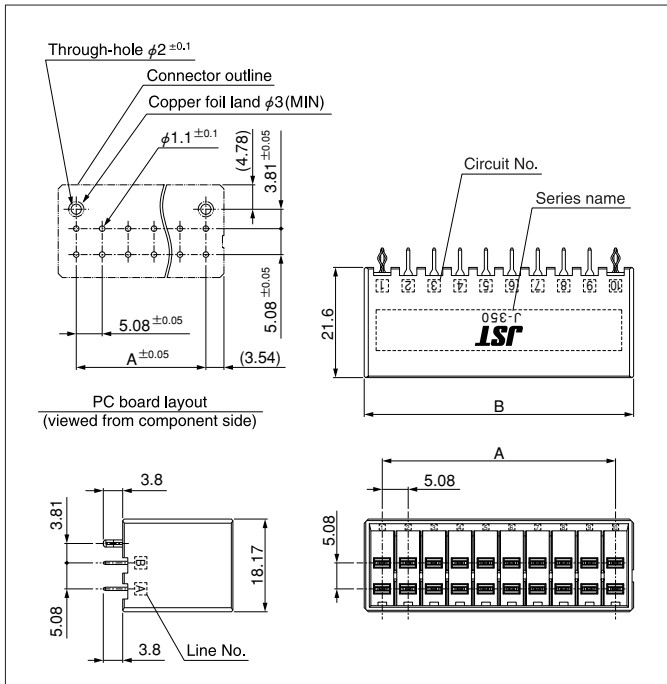
Glass-filled PBT, UL94V-0, black

### RoHS2 compliance

- Note: 1. Punch holes in the panel. Burrs must be removed.  
2. The strength of the panel must be considered when punching two or more holes.  
3. The connector must be inserted from the same side as the hole is punched.  
4. Not TÜV approved.

# J300 SERIES COMMON TYPE/J350D

## Header (Top entry type)



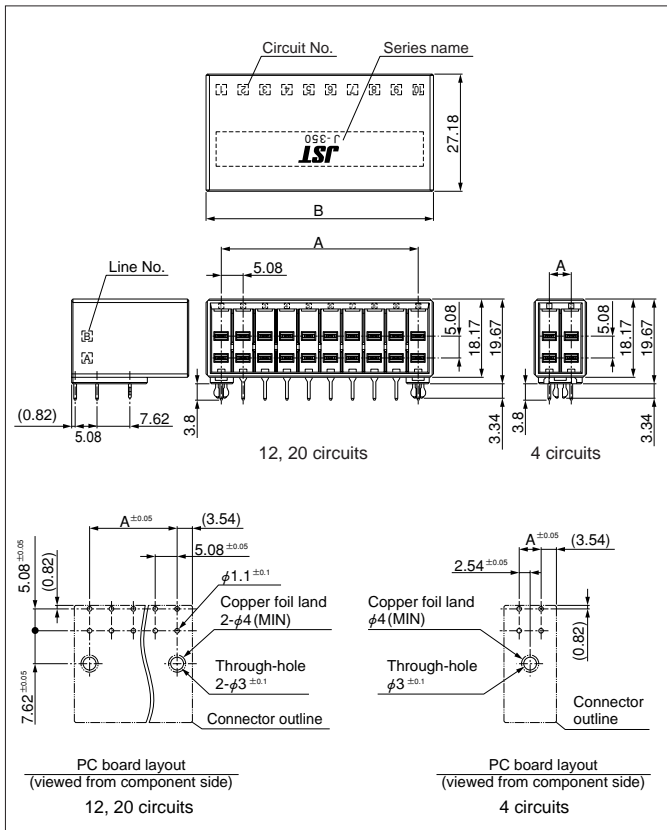
Circuits	Keying	Model No.	Dimensions (mm)		Q'ty/box
			A	B	
12	—	BC12B-F35DK-GGR	25.40	32.48	56
20	—	BC20B-F35DK-GGR	45.72	52.80	32

### Material and Finish

Tab contact: Copper alloy, nickel-undercoated, selective gold-plated  
Housing: Glass-filled PBT, UL94V-0, black  
Reinforcement: Copper alloy, nickel-undercoated, selective gold-plated

**RoHS2 compliance** This product displays (LF)(AU) on a label.  
Note: Contact JST about 0.76 μm gold-plated product and tin-plated product.

## Header (Side entry type)



Circuits	Keying	Model No.	Dimensions (mm)		Q'ty/box
			A	B	
4	—	SC04B-F35DK-GGR	5.08	12.16	152
12	—	SC12B-F35DK-GGR	25.40	32.48	56
20	—	SC20B-F35DK-GGR	45.72	52.80	32

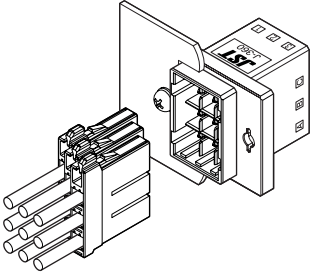
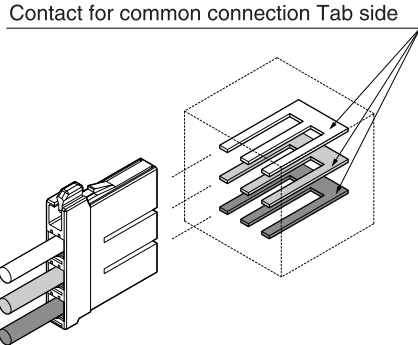
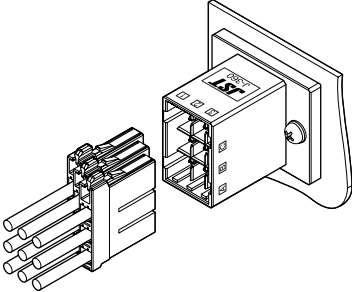
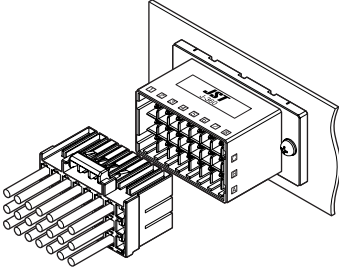
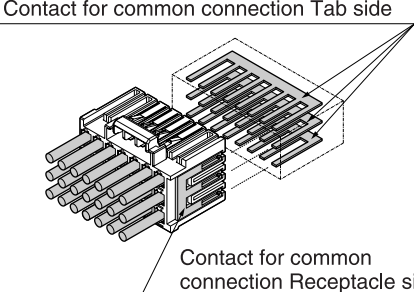
### Material and Finish

Tab contact: Copper alloy, nickel-undercoated, selective gold-plated  
Housing: Glass-filled PBT, UL94V-0, black  
Reinforcement: Copper alloy, nickel-undercoated, selective gold-plated

**RoHS2 compliance** This product displays (LF)(AU) on a label.  
Note: Contact JST about 0.76 μm gold-plated product and tin-plated product.

# J300 SERIES COMMON TYPE/J360T

## Triple-row Common type (J360T)

Receptacle side	Tab side	Appearance	Circuit figure
Normal Receptacle housing	Contact for common connection Tab side (Panel mounting type)		
	Contact for common connection Tab side (Direct mounting type)		
Receptacle housing assembly with common connection	Contact for common connection Tab side (Direct mounting type)		

- Rationalization of wiring is realized by the common connection inside the connector

## Specifications

- Current rating: (AC, DC)

Unit: A

	Wire size (AWG)			
	#14	#16	#18	#20
Receptacle housing (Total input current on single-row)	12.0	10.5	8.5	6.5
Receptacle housing assembly with common connection (Total input current on all circuits)	15.0	13.5	11.5	9.5

- Voltage rating: 600 V AC, DC
- Temperature range: -55°C to +105°C  
(including temperature rise in applying electrical current)
- Contact resistance: Initial value/ 10 mΩ max.  
After environmental tests/ 20 mΩ max.
- Insulation resistance: 1,000 MΩ min.  
(When using receptacle housing)
- Withstanding voltage: 2,200 VAC/minute  
(When using receptacle housing)
- Applicable wire: AWG #28 to #14

\* In using the products, refer to "Handling Precaution for Terminal and Connector" described on our website (Technical documents of Product information page).

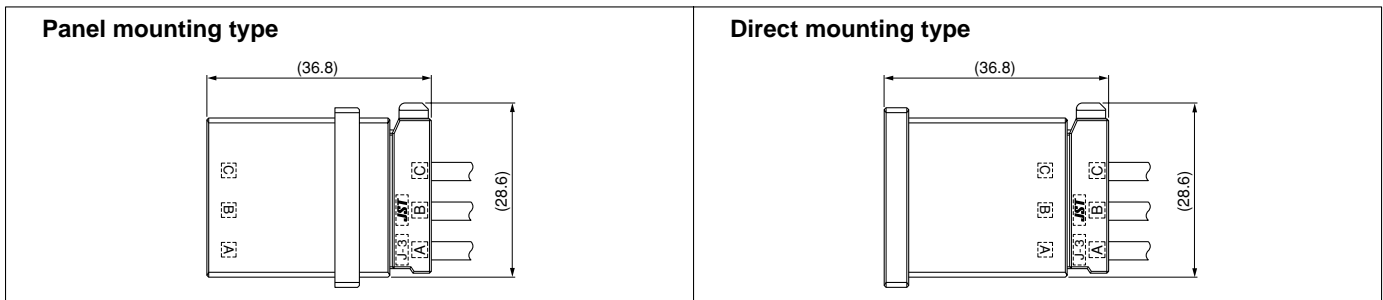
\* Contact JST for details.

\* Compliant with RoHS2.



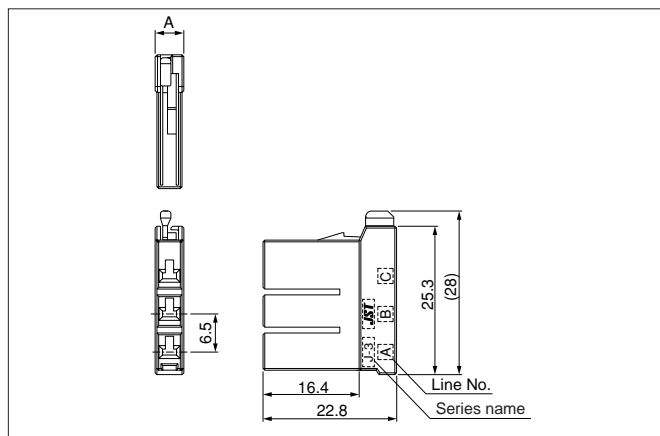
# J300 SERIES COMMON TYPE/J360T

## Assembly layout



\*When mating with receptacle housing (3-circuit)

## Receptacle housing



Circuits	Keying	Model No.	Dimensions (mm)	Q'ty/bag
			A	
3	—	F36FTC-03V-K	4.9	200
9	—	F36FTC-09V-K	15.0	—
18	—	F36FTC-18V-K	30.3	—
24	—	F36FTC-24V-K	41.2	60

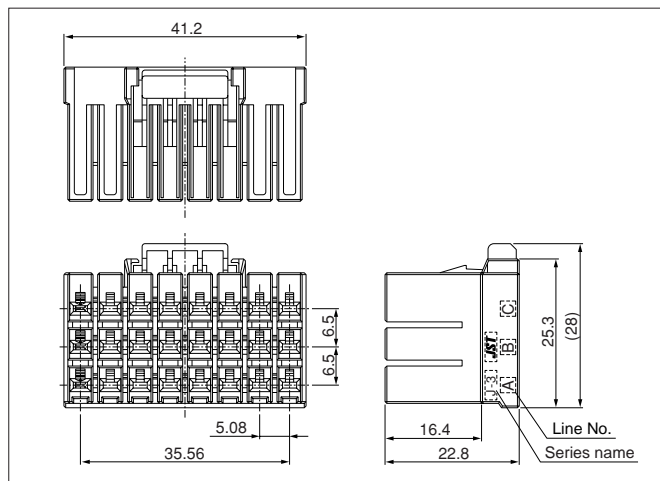
### Material

Glass-filled PBT, UL94V-0, black

### RoHS2 compliance

Note: 9, 18, and 24-circuit products are not approved by UL/TÜV standards.

## Receptacle housing assembly with common connection



Circuits	Model No.	Q'ty/bag
21	F36FTC-21(24-C8T)V-KC	60

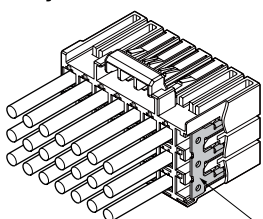
### Material and Finish

Contact for common connection: Copper alloy, nickel-undercoated, selective gold-plated  
Housing: Glass-filled PBT, UL94V-0, black

### RoHS2 compliance

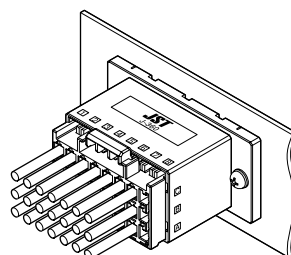
Note: 1. Contact JST about 0.76 μm gold-plated product.  
2. Not UL/TÜV approved.

### Cross-section of receptacle housing assembly with common connection



Inserted the contact for common connection to the right side of receptacle housing

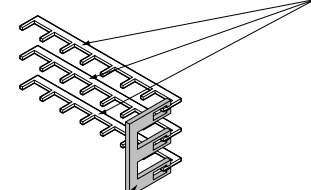
### Illustration when using



\* When mating with receptacle housing assembly with common connection

### Circuit figure when using

Contact for common connection Tab side

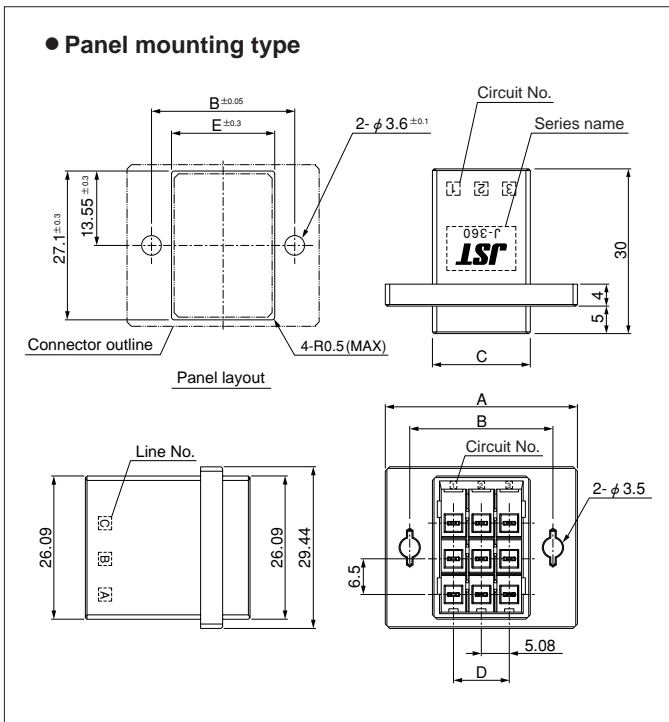


Contact for common connection Receptacle side

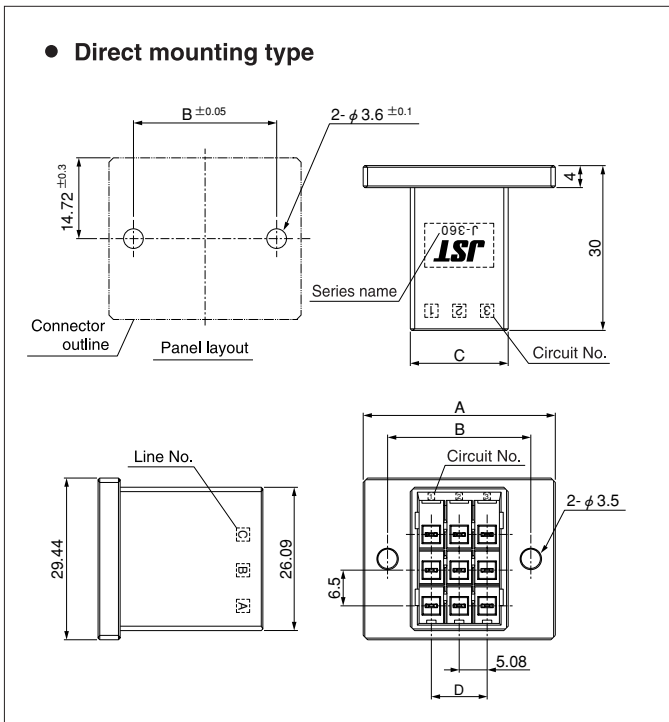
# J300 SERIES COMMON TYPE/J360T

## Common tab housing Assembly

### ● Panel mounting type



### ● Direct mounting type



Circuits	Keying	Model No.	Dimensions (mm)					Q'ty /box
			A	B	C	D	E	
9	—	P09B-F36TK-GFR	35.0	26.1	17.8	10.16	18.8	364
18	—	P18B-F36TK-GFR	50.2	41.3	33.1	25.40	34.1	224

#### Material and Finish

Tab contact: Copper alloy, nickel-undercoated, selective gold-plated  
Housing: Glass-filled PBT, UL94V-0, black

#### RoHS2 compliance

- Note: 1. Punch holes in the panel. Burrs must be removed.  
2. The strength of the panel must be considered when punching two or more holes.  
3. The connector must be inserted from the same side as the hole is punched.  
4. Contact JST about 0.76 μm gold-plated product and tin-plated product.  
5. Refer to the top page of J360T (Common type) for circuit figure.

Circuits	Keying	Model No.	Dimensions (mm)				Q'ty /box
			A	B	C	D	
9	—	P09B-F36TK-GFAR	35.0	26.1	17.8	10.16	364
18	—	P18B-F36TK-GFAR	50.2	41.3	33.1	25.40	224
24	—	P24B-F36TK-GFAR	60.4	51.5	43.2	35.56	168

#### Material and Finish

Tab contact: Copper alloy, nickel-undercoated, selective gold-plated  
Housing: Glass-filled PBT, UL94V-0, black

#### RoHS2 compliance

- Note: 1. Punch holes in the panel. Burrs must be removed.  
2. The strength of the panel must be considered when punching two or more holes.  
3. The connector must be inserted from the same side as the hole is punched.  
4. Contact JST about 0.76 μm gold-plated product and tin-plated product.  
5. The directions such as series names of 24-circuit product are different from 9 and 18-circuit products.  
6. 24-circuit product is not approved by UL standard.  
7. Refer to the top page of J360T (Common type) for circuit figure.

# JFA CONNECTOR/J300 SERIES

## Model number identification

### Receptacle contact

**S F3 F - 41 GF - P 2.0**

Form: S...Strip form, B...Loose piece,  
L...Loose piece with curled barrels

Series name

Kind of terminal: F...Receptacle contact

Applicable wire: 002...AWG #28 ~ #24, 01...AWG #24 ~ #20,  
41...AWG #20 ~ #16, 71...AWG #16 ~ #14

Surface finish: GF...Nickel-undercoated, 0.38  $\mu$ m selective gold-plated  
GL...Nickel-undercoated, 0.76  $\mu$ m selective gold-plated  
T...Tin-plated (reflow treatment)

Material: P...Copper alloy

Terminal size

### Tab contact

**S F3 M - 41 GF - M 2.0 N**

Form: S...Strip form, B...Loose piece  
L...Loose piece with curled barrels

Series name

Kind of terminal: M...Tab contact

Applicable wire: 002...AWG #28 ~ #24, 01...AWG #24 ~ #20  
41...AWG #20 ~ #16, 71...AWG #16 ~ #14

Surface finish: GF...Nickel-undercoated, 0.38  $\mu$ m selective gold-plated  
GL...Nickel-undercoated, 0.76  $\mu$ m selective gold-plated  
T...Tin-plated (reflow treatment)

Material: M...Copper alloy

Terminal size

Sub model No.

### Receptacle housing

**F31 F S S - 03 V - K X**

Series name

Type of connector: F...Receptacle housing,  
FR...Receptacle housing  
Reverse type

Rows: S...Single-row, D...Double-row with 5.08 mm line pitch  
M...Double-row with 7.62 mm line pitch  
T...Triple-row, F...Quadruple-row

Mounting arrangement: S...Side locking, C...Center locking,  
PA...Panel mounting type

No. of circuits: 1 ~ 6, 8 ~ 10, 12, 16, 18, 20, 24, 30, 40

Flammability: V...UL94V-0

Color indication: K...Black, S...White, E...Blue, M...Green

Keying: X...X-Keying, Y...Y-Keying, Z...Z-Keying, W...W-Keying, XX...XX-Keying,  
YY...YY-Keying, XY...XY-Keying, Blank...Without Keying No.  
E...Space (2 spaces) for Keying block

### Tab housing

**F31 M S F - 03 V - K X**

Series name

Type of connector: M...Tab housing,  
MR...Tab housing  
Reverse type

Rows: S...Single-row, D...Double-row,  
T...Triple-row, F...Quadruple-row

Mounting arrangement: F...Free hanging, P...Panel mounting  
S...Side locking, PL...Panel mounting Housing lock

No. of circuits: 1 ~ 6, 8, 10, 12, 16, 20, 30, 40

Flammability: V...UL94V-0

Color indication: K...Black, S...White, E...Blue, M...Green

Keying: X...X-Keying, Y...Y-Keying, Z...Z-Keying, W...W-Keying, XX...XX-Keying,  
YY...YY-Keying, XY...XY-Keying, Blank...Without Keying No.

### Header

**B 05 B - F31 S K - GG X R**

PC board mounting direction:  
B...Top entry type  
S...Side entry type  
BC...Top & center locking  
SR...Side reverse  
SC...Side & center locking

No. of circuits: 2 ~ 6, 8 ~ 10, 12, 16, 20, 40

Product name: Header

Series name

Rows: S...Single-row  
D...Double-row with 5.08 mm line pitch  
M...Double-row with 7.62 mm line pitch  
T...Triple-row  
F...Quadruple-row

Color indication: K...Black, S...White, E...Blue

Surface finish: GG...Nickel-undercoated, 0.38  $\mu$ m selective gold-plated  
GK...Nickel-undercoated, 0.76  $\mu$ m selective gold-plated  
T...Tin-plated (reflow treatment)

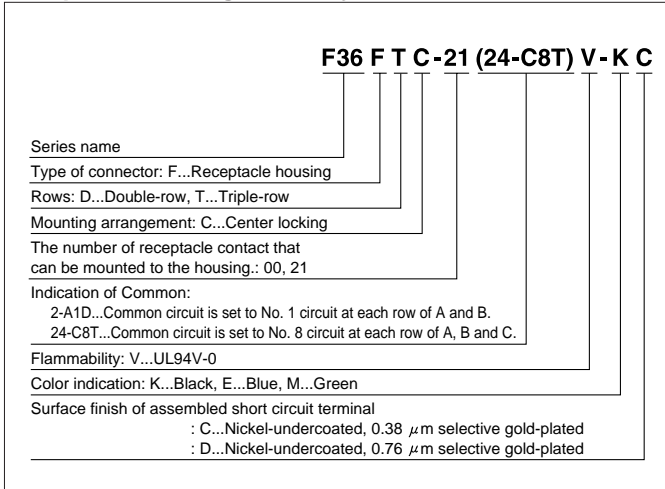
Keying: X...X-Keying, Y...Y-Keying, XX...XX-Keying, YY...YY-Keying,  
XY...XY-Keying, E...Space (2 spaces) for Keying block,  
XA...XXX-Keying, XB...XXY-Keying, XC...YX-Keying,  
XD...YYX-Keying, Blank...Without Keying No.

Packaging form: R...Tray, M...Magazine stick

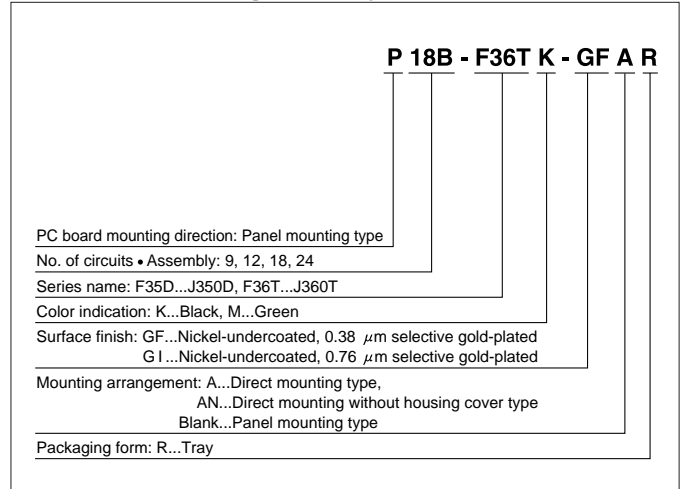
# JFA CONNECTOR/J300 SERIES

## Model number identification

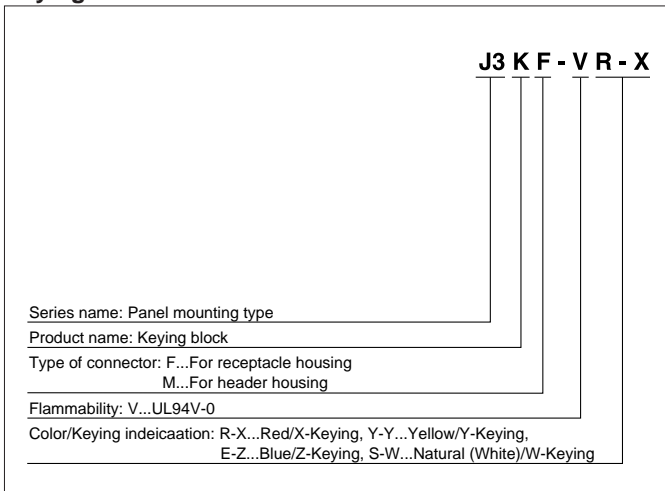
### Receptacle housing assembly



### Common tab housing assembly

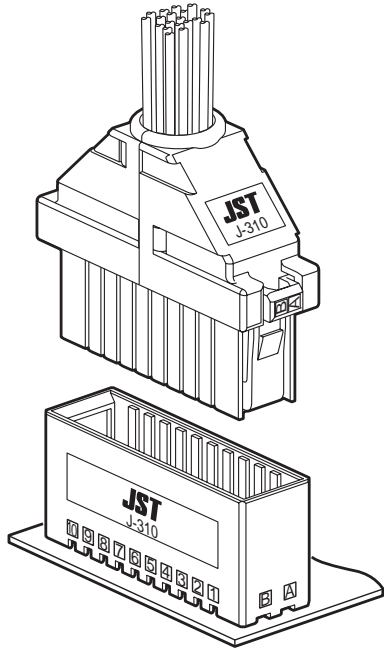


### Keying block





# JFA CONNECTOR J300 SERIES PROTECTOR

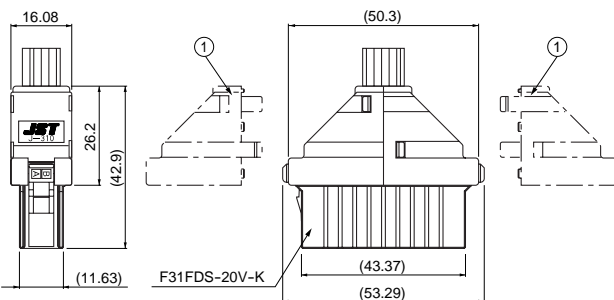


**When applying a current to the connector, the protector prevents foreign substances being inserted into mating part from the wiring side. However it has no function of holding the wire securely.**

*Note: Protector is not approved by UL/TÜV standards.*

## J300 Series

### • J310D series for 20 circuits



No.	Model No.	Color	Q'ty/box
1	<b>F31PFD-20VK</b>	Black	112
	<b>F31PFD-20SC</b>	Transparent	112

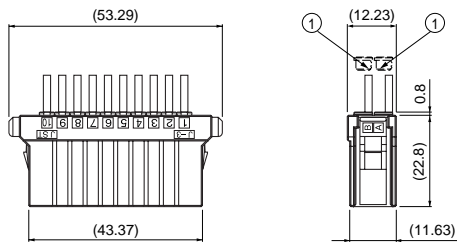
#### Material and Finish

Black: Glass-filled PBT  
Transparent: Polycarbonate

#### RoHS2 compliance

*Note: Two protectors of the same color are used.*

### • J310D series / Embedding-type protector for 8, 10 circuits



No.	Model No.	Color	Q'ty/box
1	<b>F31PFS-10KU</b>	Black	1,000

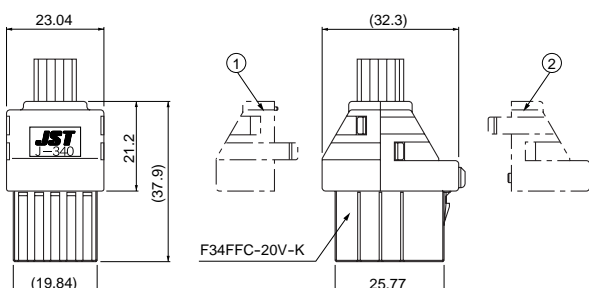
#### Material and Finish

Glass-filled, PBT

#### RoHS2 compliance

*Note: This protector is cut and used for each number of the circuits.*

### • J340F series for 20 circuits



No.	Model No.	Color	Q'ty/box
1	<b>F34PFF-20VKA</b>	Black	80
	<b>F34PFF-20SCA</b>	Transparent	80
2	<b>F34PFF-20VKB</b>	Black	80
	<b>F34PFF-20SCB</b>	Transparent	80

#### Material and Finish

Black: Glass-filled PBT  
Transparent: Polycarbonate

#### RoHS2 compliance

*Note: Both 1 and 2 protectors in the same color are used.*