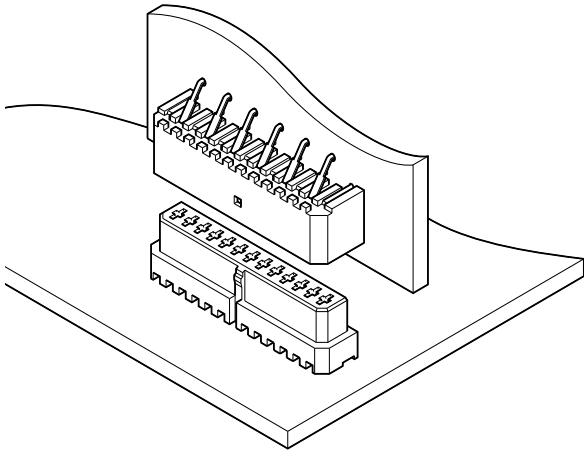


# JE CONNECTOR

1.25 mm pitch/Board-to-board connectors/Mating type



The JE connector is a compact, board-to-board connector only 6.8 mm high and 4.4 mm wide. Its mating part has a 1.25 mm pitch, single row construction. High contact pressure dual beam fork contacts are combined with a housing lock mechanism to ensure a reliable connection.

- A compact design to meet today's needs
- Secure locking and reliable connection
- Box shaped housing
- Easy mounting and no flux problems

## Standards

Ⓜ : Recognized E 60389

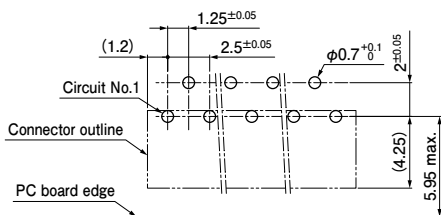
Ⓢ : Certified LR 20812

## Specifications

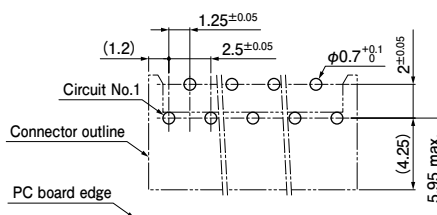
- Current rating: 1.0 A AC/DC
- Voltage rating: 50 V AC/DC
- Temperature range: -25°C to +85°C  
(including temperature rise in applying electrical current)
- Contact resistance:
  - Initial value/ 20 mΩ max.
  - After environmental tests/ 40 mΩ max.
- Insulation resistance: 500 MΩ min.
- Withstanding voltage: 500 VAC/minute
- Applicable PC board thickness : 1.6 mm
- \* In using the products, refer to "Handling Precautions for Terminals and Connectors" described on our website (Technical documents of Product information page).
- \* RoHS2 compliance
- \* Dimensional unit: mm
- \* Contact JST for details.

## PC board layout and Assembly layout

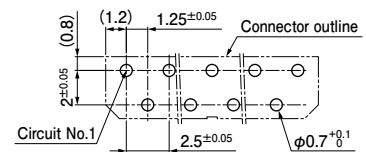
### Plug Without stopper



### Plug With stopper

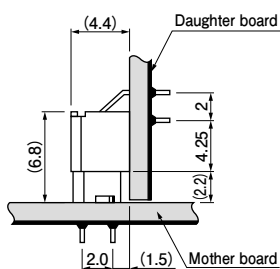


### Socket

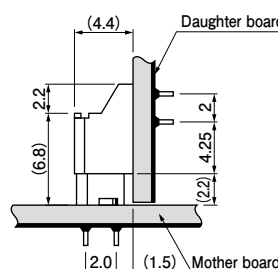


- Note: 1. The above figure is the figure viewed from the connector mounting side.  
 2. Tolerances are non-cumulative: ± 0.05mm for all centers.  
 3. Hole dimensions differ according to the type of PC board and piercing method.  
 Please contact JST for details as the dimensions shown in the above figure are reference values.

### When using the plug without stopper

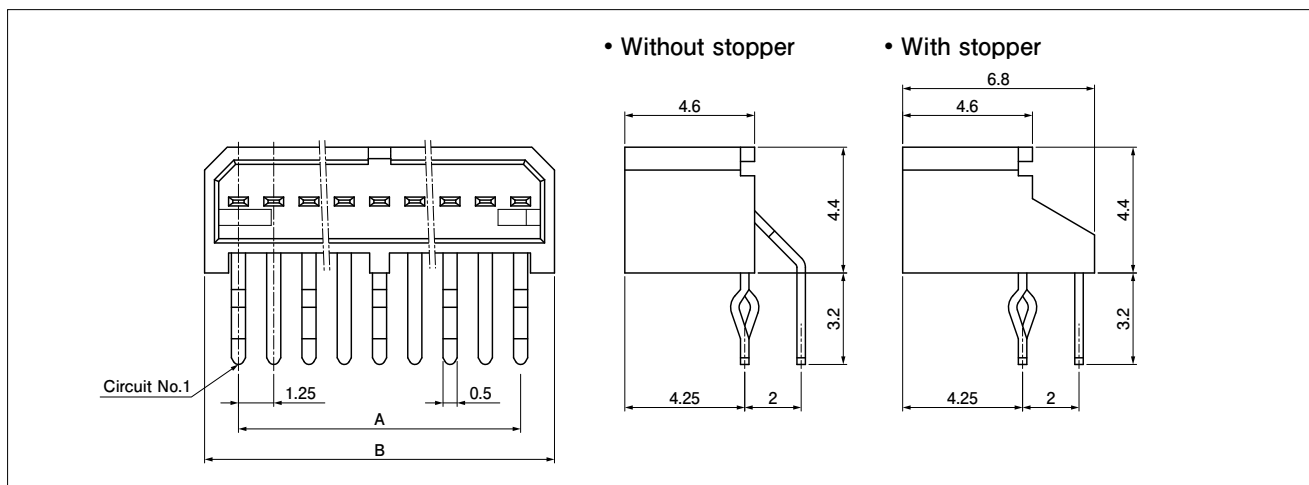


### When using the plug with stopper



Note: The daughter board should be secured. For details of the securing method, contact JST.

## Plug



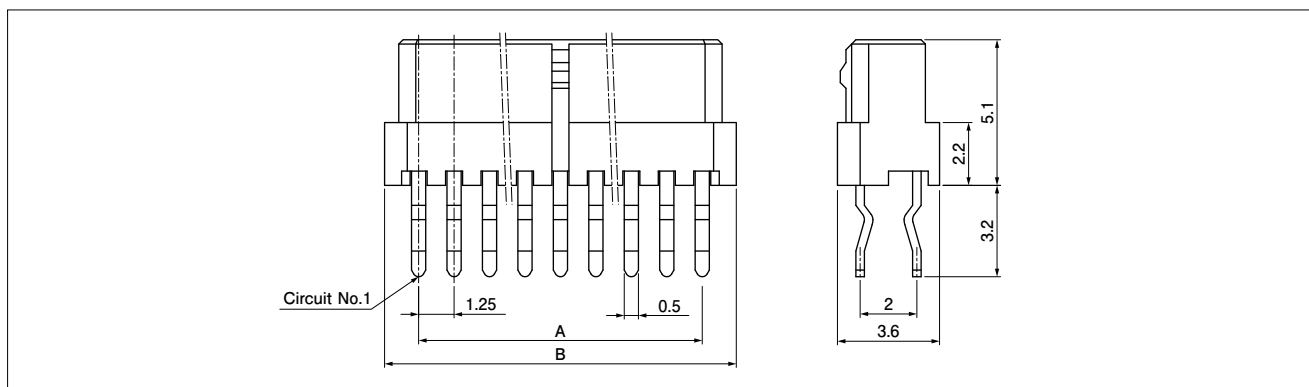
No. of circuits	Model No.		Dimensions (mm)		Q'ty/box
	Without stopper	With stopper	A	B	
5	05PS-JE	05PSL-JE	5.0	7.4	1,400
7	—	07PSL-JE	7.5	9.9	1,050
9	09PS-JE	09PSL-JE	10.0	12.4	800
11	11PS-JE	11PSL-JE	12.5	14.9	700
13	13PS-JE	13PSL-JE	15.0	17.4	600
15	—	15PSL-JE	17.5	19.9	500
17	17PS-JE	17PSL-JE	20.0	22.4	450
19	19PS-JE	19PSL-JE	22.5	24.9	400

### Material and Finish

Contact: Brass, tin-plated  
Housing: Glass-filled PA 66, UL94V-0

RoHS2 compliance

## Socket



No. of circuits	Model No.	Dimensions (mm)		Q'ty/box
		A	B	
5	05R-JE	5.0	7.4	1,000
7	07R-JE	7.5	9.9	1,000
9	09R-JE	10.0	12.4	1,700
11	11R-JE	12.5	14.9	1,400
13	13R-JE	15.0	17.4	1,200
15	15R-JE	17.5	19.9	1,000
17	17R-JE	20.0	22.4	900
19	19R-JE	22.5	24.9	800

### Material and Finish

Contact: Phosphor bronze, copper-undercoated, tin-plated  
Housing: Glass-filled PA 66, UL94V-0

RoHS2 compliance This product displays (LF)(SN) on a label.