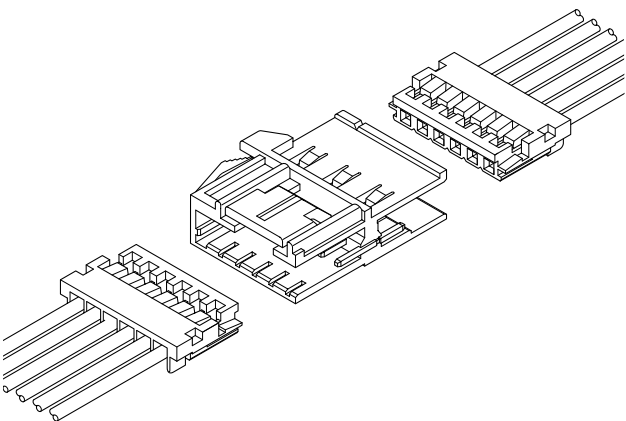
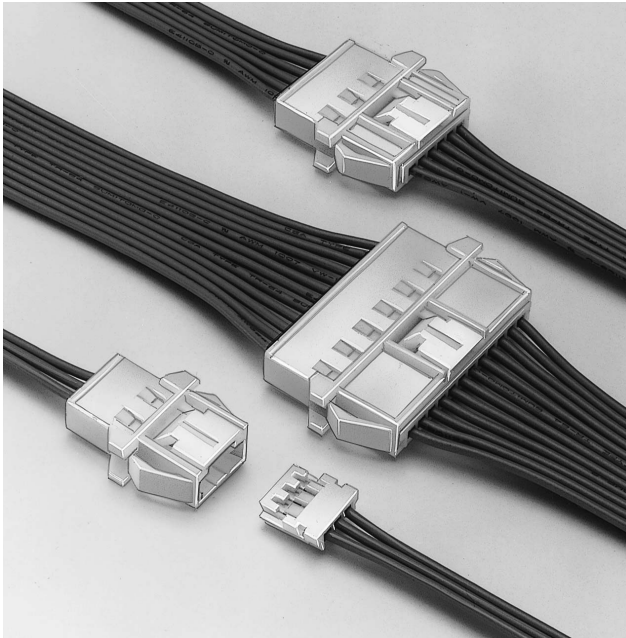


THR CONNECTOR

Wire-to-wire connectors - Matable with HR receptacles



Features

- **Both crimp style and insulation displacement receptacles can be used**

Both crimp style and insulation displacement HR connector receptacles can be accommodated by the THR connector.

- **Arm lock mechanism**

An arm lock mechanism securely holds the plug and the receptacle together when they are connected. Releasing the lock is easy.

- **Mountable on a variety of panels**

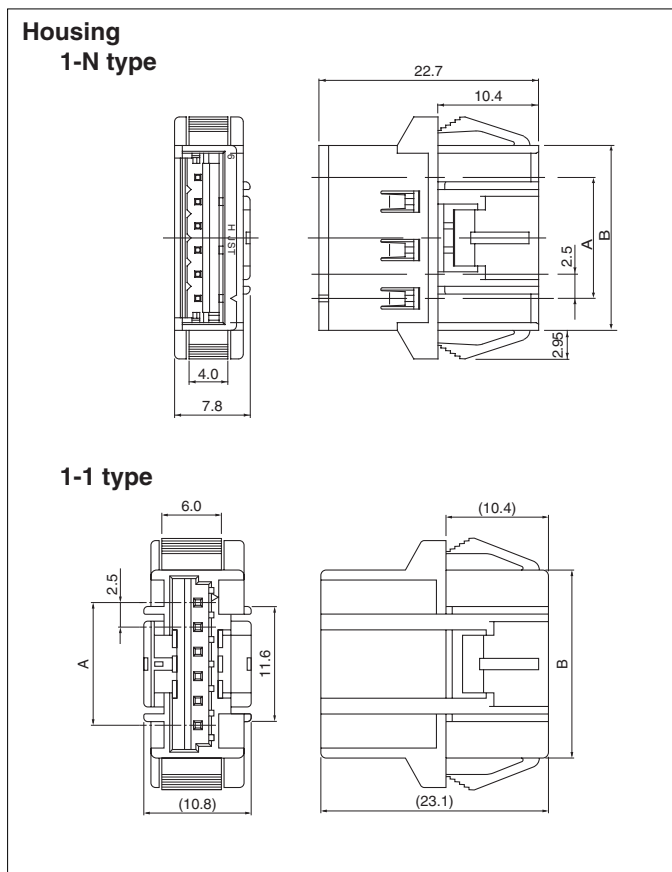
Due to our unique panel installation locking mechanisms, the housing can be easily installed on panels of various thickness without using tools.

Specifications

- Current rating: Crimp style HR connectors type/3A AC, DC max.
Insulation displacement HR connectors type/2A AC, DC max.
- Voltage rating: 250V AC, DC max.
- Temperature range: -25°C to +85°C
(including temperature rise in applying electrical current)
- Contact resistance: Initial value/15m Ω max.
After environmental testing/25m Ω max.
- Insulation resistance: 500M Ω min.
- Withstanding voltage: 1,000V AC/minute
- Applicable wire: Crimp style HR connectors type/AWG #26 to #22
0.13 to 0.33mm²
Insulation displacement HR connectors type/AWG #28, #26, #24
- Applicable panel thickness: 0.5 to 2.0mm
- * Compliant with RoHS.
- * Refer to "General Instruction and Notice when using Terminals and Connectors" at the end of this catalog.
- * Contact JST for details.

THR CONNECTOR

THR Connector



Circuits	Model No.		Dimensions (mm)		Q'ty / bag
	1-N type	1-1 type	A	B	
3	BU03P-THR	BU03P-THR-1-K	5.0	11.6	200
6	BU06P-THR	BU06P-THR-1-K	12.5	19.1	100
12	BU12P-THR	BU12P-THR-1-K	27.5	34.1	50

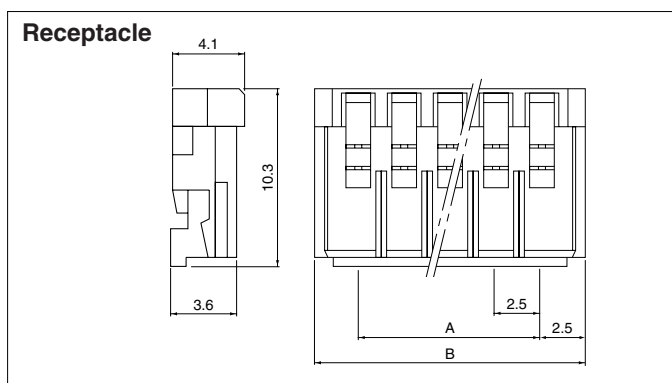
Material and Finish

Housing: PA 66, UL94V-0

Post: Copper alloy, copper-undercoated, tin-plated (reflow treatment)

RoHS compliance This product displays (LF)(SN) on a label.

Receptacle / Insulation displacement HR connector



Circuits	Model No.			Dimensions (mm)		Q'ty / box
	#28	#26	#24	A	B	
3	03HR-8M-P-N	03HR-6S-P-N	03HR-4K-P-N	5.0	10.0	1,000
6	06HR-8M-P-N	06HR-6S-P-N	06HR-4K-P-N	12.5	17.5	1,000
12	12HR-8M-P-N	12HR-6S-P-N	12HR-4K-P-N	27.5	32.5	500

Material and Finish

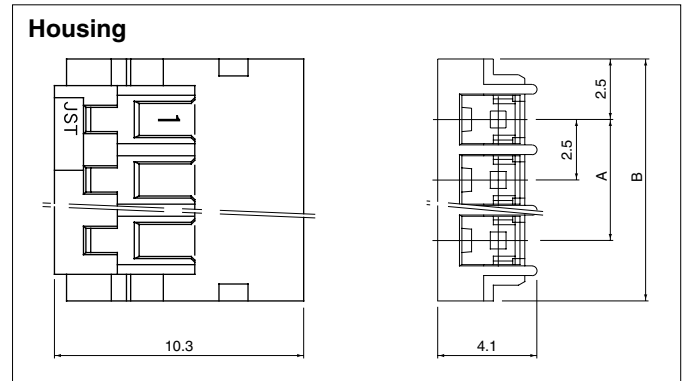
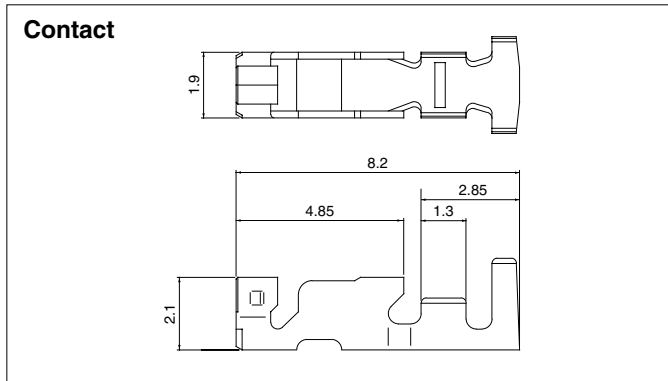
Contact: Phosphor bronze, tin-plated (reflow treatment)

Housing: PA 66, UL94V-0

RoHS compliance

THR CONNECTOR

Receptacle / Crimp style HR connector



Model No.	Applicable wire			Q'ty / reel
	mm ²	AWG #	Insulation O.D. (mm)	
SHR-001T-P0.6	0.13 to 0.33	26 to 22	1.3 to 1.7	9,000

Circuits	Model No.	Dimensions (mm)		Q'ty / bag
		A	B	
3	HRP-03-S	5.0	10.0	2,000
6	HRP-06-S	12.5	17.5	1,000
12	HRP-12-S	27.5	32.5	500

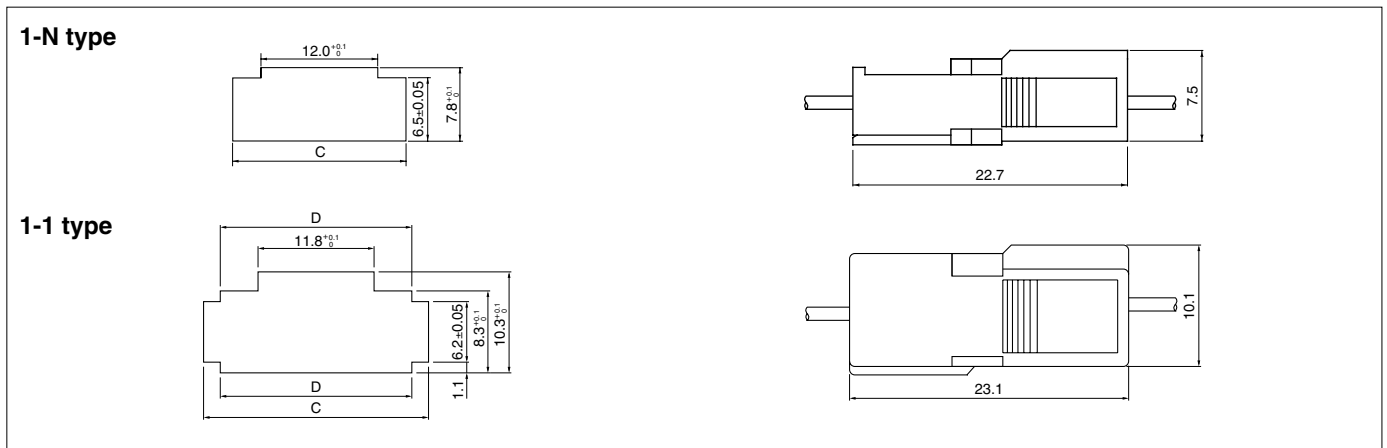
Material and Finish
Phosphor bronze, tin-plated (reflow treatment)

Material
PA 66, UL94V-0

RoHS compliance

RoHS compliance

Panel layout and Assembly layout



1-N type

Circuits	Housing	Panel hole dimensions (mm) General tolerance C[±0.05]	Applicable Panel thickness (mm)
3	BU03P-THR	15.3	0.5 to 2.0
6	BU06P-THR	22.8	
12	BU12P-THR	37.8	

1-1 type

Circuits	Housing	Panel hole dimensions (mm) General tolerance		Applicable Panel thickness (mm)
		C[±0.05]	D[±0.1]	
3	BU03P-THR-1-K	15.3	11.8	0.5 to 2.0
6	BU06P-THR-1-K	22.8	19.3	
12	BU12P-THR-1-K	37.8	34.3	

Note: 1. Punch holes in the panel according to the sketch and table shown above. Burrs must be removed.
2. The strength of the panel must be considered when punching two or more holes.
3. The connector must be inserted from the same side as the hole is punched.

Crimping machine, Applicator

Contact	Crimping machine	Crimp applicator	Dies	Crimp applicator with dies
SHR-001T-P0.6	AP-K2N	MKS-L	MK/SHR/MR-001-06	APLMK SHR/MR001-06
		*MKS-SC	SC/SHR/MR-001-06	APLSC SHR/MR001-06

Note: *Strip-crimp applicator