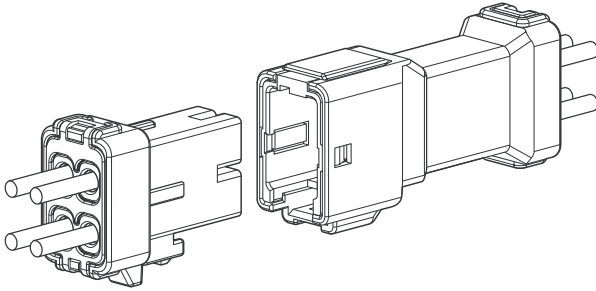


# JWPS CONNECTOR

4.0mm pitch/Disconnectable Crimp style Wire-to-wire connectors (waterproof type)



**This JWPS connector can be used for the place of which especially waterproof is required.**

**This is the wire-to-wire connector that is grade 7 ingress protection of JIS C 0920 (IPX7 of IEC 60529).**

- **Waterproof performance**
- **Contained seal ring**
- **Solid rubber seal**
- **Double-spring construction**
- **Housing-to-terminal locks**
- **Mis-mating prevention key**

## Specifications

- Current rating: 4 A AC, DC (AWG #22)  
: 5 A AC, DC (AWG #20)  
: 6 A AC, DC (AWG #18)
- Voltage rating: 300 V AC, DC
- Temperature range: -55°C to +85°C  
(including temperature rise in applying electrical current)
- Applicable wire: Conductor size/ AWG #22 to #18  
Insulation O.D./ 1.75 to 2.5 mm
- Waterproof grade: Grade 7 ingress protection of JIS C 0920 (IPX7 of IEC 60529)

\* Refer to "General Instruction and Notice when using Terminals and Connectors" at the end of this catalog.

\* Contact JST for details.

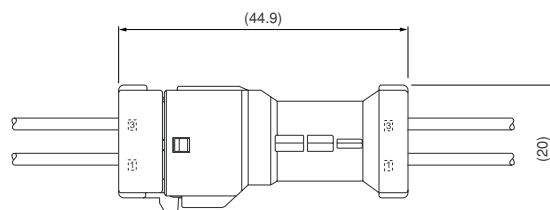
\* Compliant with RoHS.

## Standards

 Recognized E60389

 R 50218382

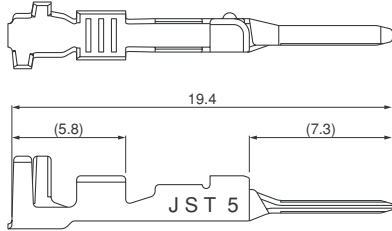
## Assembly layout



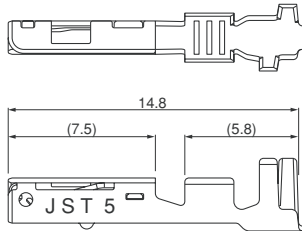
# JWPS CONNECTOR

## Contact

### Tab contact



### Receptacle contact



Model No.		Applicable wire	Insulation	Q'ty/ reel
Tab contact	Receptacle contact	AWG#	O.D. (mm)	
<b>SJWPST-21T-M1.0N</b>	<b>SJWPSR-21T-P1.0</b>	22~18	1.75~2.5	4,500

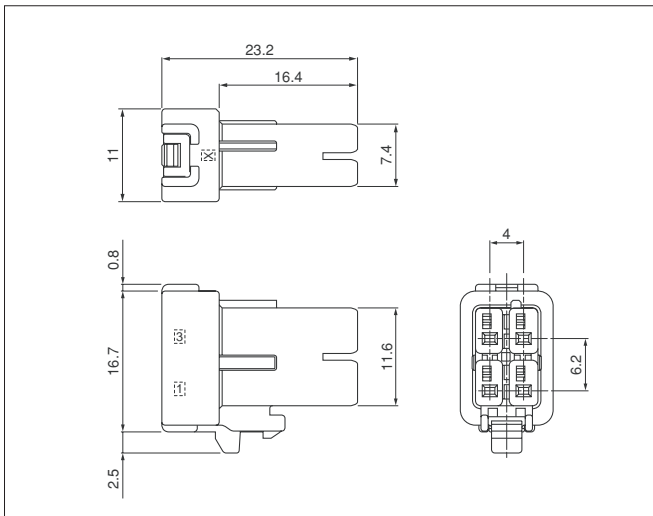
### Material and Finish

Copper alloy, tin-plated

### RoHS compliance

Contact	Crimping machine	Applicator		
		Crimp applicator	Dies	Crimp applicator with dies
<b>SJWPST-21T-M1.0N</b>	AP-K2N	MKS-L	MK/SJWPSR/T-21-10	APLMK SJWPSR/T21-10
		—	—	—
<b>SJWPSR-21T-P1.0</b>	AP-K2N	MKS-L	MK/SJWPSR/T-21-10	APLMK SJWPSR/T21-10
		—	—	—

## Receptacle housing assembly



Circuits	Keying	Model No.	Q'ty/box
4	X	<b>04R-JWPS-VKLE-DX-A</b>	400
	Y	<b>04R-JWPS-VSLE-DY-A</b>	400
	Z	<b>04R-JWPS-VELE-DZ-A</b>	400

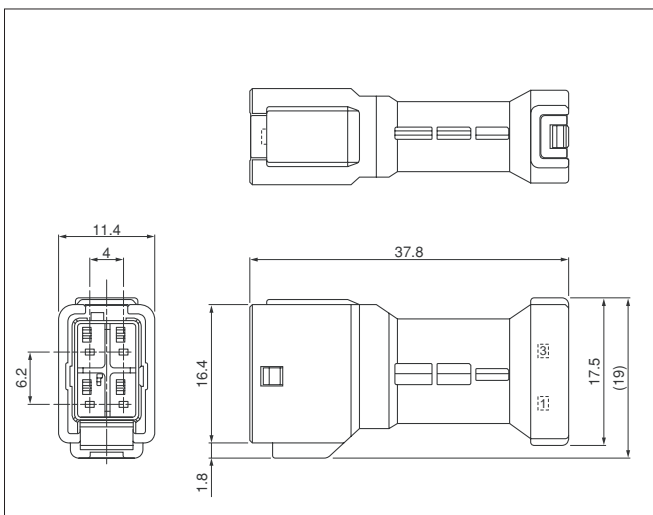
### Material

Receptacle housing: Glass-filled PBT, UL94V-0, X-Keying (black), Y-Keying (natural), Z-Keying (blue)  
 Retainer: PBT, UL94V-0, purple  
 Seal rubber plate: Silicone rubber, light blue

### RoHS compliance

Note: Seal rubber plate and retainer are preassembled in receptacle housing assembly.

## Tab housing assembly



Circuits	Keying	Model No.	Q'ty/box
4	X	<b>04T-JWPS-VKKLE-DX-A1</b>	180
	Y	<b>04T-JWPS-VKSLE-DY-A1</b>	180
	Z	<b>04T-JWPS-VKELE-DZ-A1</b>	180

### Material

Tab housing: Glass-filled PBT, UL94V-0, black  
 Seal ring holder: Glass-filled PBT, UL94V-0, X-Keying (black), Y-Keying (natural), Z-Keying (blue)  
 Retainer: PBT, UL94V-0, purple  
 Seal ring: Silicone rubber, brown  
 Seal rubber plate: Silicone rubber, right blue

### RoHS compliance

Note: Seal rubber plate, retainer, seal ring and seal ring holder are preassembled in tab housing assembly.