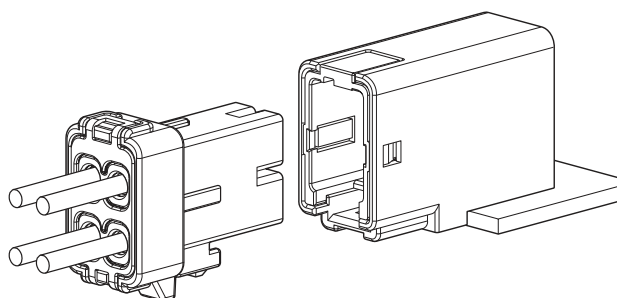


JWPS CONNECTOR

4.0 mm pitch/Disconnectable Crimp style connectors

(Combined use for both wire-to-board and wire-to-wire connections)



This JWPS connector can be used for the place of which especially waterproof is required.

This is the wire-to-board connector that is grade 7 ingress protection of JIS C 0920 (IPX7 of IEC 60529).

- Waterproof performance
- Contained seal ring
- Solid rubber seal
- Double-spring construction
- Housing-to-terminal locks
- Mis-mating prevention key

Standards

Ⓡ : Recognized E60389

⚠ : Certified R50218382

Specifications

- Current rating: 4 A AC/DC (AWG #22)
: 5 A AC/DC (AWG #20)
: 6 A AC/DC (AWG #18)
- Voltage rating: 300 V AC/DC
- Temperature range: -55°C to +85°C
(including temperature rise in applying electrical current)
- Applicable wire: Conductor size/ AWG #22 to #18
Insulation O.D./ 1.75 to 2.5 mm
- Applicable PC board thickness: 1.6 mm
- Waterproof grade: Grade 7 ingress protection of JIS C 0920 (IPX7 of IEC 60529)
(*Since the waterproof performance is not available at the opposite side of mating entrance, waterproof treatment is required, if necessary.)

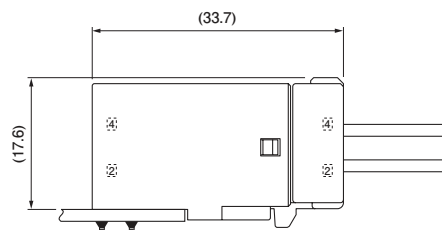
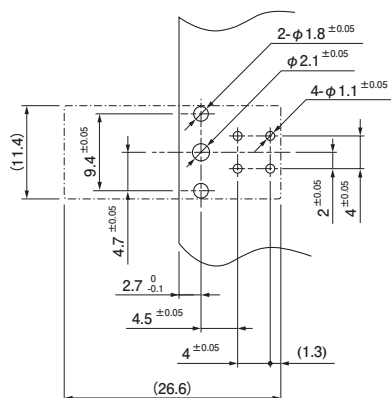
* In using the products, refer to "Handling Precaution for Terminals and Connectors" described on our website (Technical documents of Product information page).

* Dimensional unit: mm

* RoHS2 Compliance

* Contact JST for details.

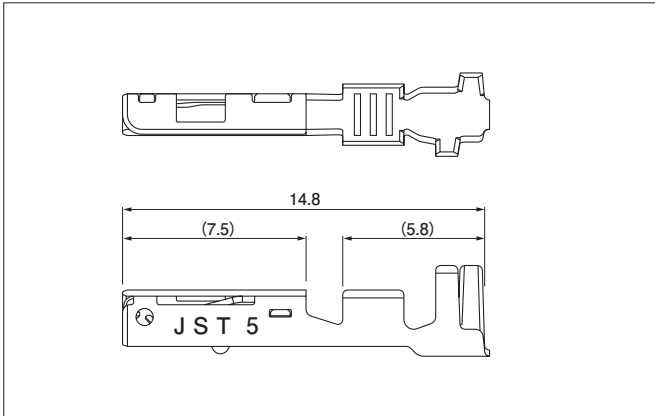
PC board layout and Assembly layout



- Note: 1. The above figure is the figure viewed from the connector mounting side.
2. Hole dimensions differ according to the type of PC board and piercing method.
The dimensions above should serve as a guideline. Contact JST for details

JWPS CONNECTOR

Receptacle contact



Model No.	Applicable wire	Insulation O.D. (mm)	Q'ty/ reel
	AWG#		
SJWPSR-21T-P1.0	22 to 18	1.75 to 2.5	4,500

Material and Finish

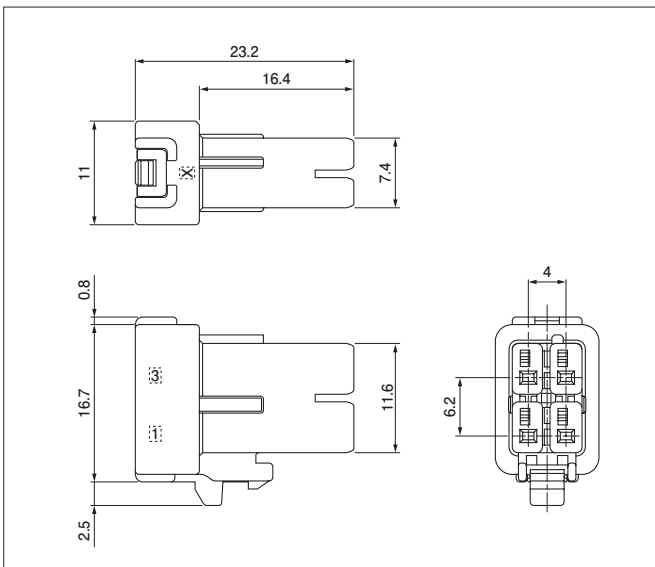
Copper alloy, tin-plated

RoHS2 compliance

Contact	Crimping machine	Applicator	
		Crimp applicator	Crimp applicator with dies
SJWPSR-21T-P1.0	AP-K2N	MKS-L	APLMK SJWPSR/T21-10

Note: Contact JST for fully automatic crimping applicator.

Receptacle housing assembly



No. of circuits	Keying	Model No.	Q'ty/box
4	X	04R-JWPS-VKLE-DX-A	400
	Y	04R-JWPS-VSLE-DY-A	400
	Z	04R-JWPS-VELE-DZ-A	400

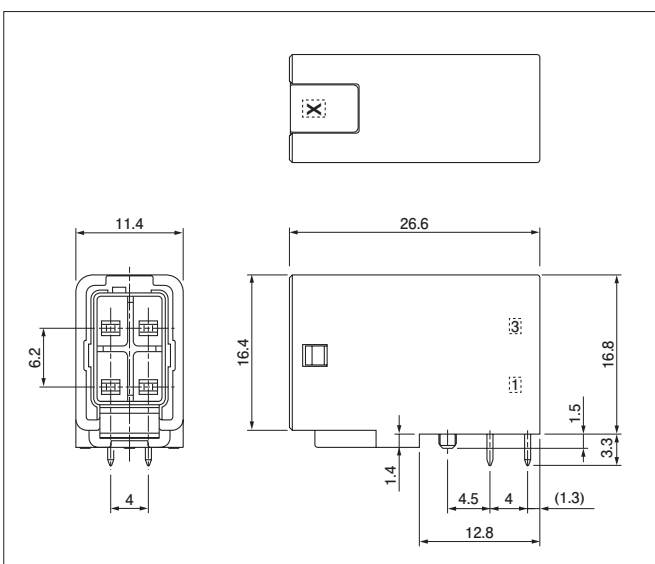
Material and Finish

Receptacle housing: Glass-filled PBT, UL94V-0, X-Keying (black), Y-Keying (natural), Z-Keying (blue)
Retainer: PBT, UL94V-0, purple
Seal rubber plate: Silicone rubber, light blue

RoHS2 compliance

Note: Seal rubber plate and retainer are preassembled in receptacle housing assembly.

Header housing assembly



No. of circuits	Keying	Model No.	Q'ty/box
4	X	S04B-JWPS-KKS-XR	160
	Y	S04B-JWPS-KSS-YR	160
	Z	S04B-JWPS-KES-ZR	160

Material and Finish

Header housing: Glass-filled PBT, UL94V-0, black
Seal ring holder: Glass-filled PBT, UL94V-0, X-Keying (black), Y-Keying (natural), Z-Keying (blue)
Seal ring: Silicone rubber, brown
Tab contact: Copper alloy, tin-plated

RoHS2 compliance

This product displays (LF)(SN) on a label.
Note: Seal ring and seal ring holder are preassembled in header housing assembly.

JWPS CONNECTOR

Model number allocation

Contact

S JWPS T - 21 T - M 1.0 N

Form: S...Strip form

Series name

Terminal type: T...Tab contact
R...Receptacle contact

Applicable wire range: 21...AWG#22 to #18

Surface finish: T...Tin-plated

Material: P, M...Copper alloy

Terminal size

Sub model number: None...Receptacle contact
N...Tab contact

Receptacle housing assembly

04 R- JWPS - V K LE - D X - A

No. of circuits: 4

Part name: Receptacle housing

Series name

Flammability: V...UL94V-0

Receptacle housing color: K...Black

Seal rubber plate color: LE...Light blue

No. of rows: D...Dual-row

Keying: X...X-Keying, Y...Y-Keying, Z...Z-Keying

Shape of seal rubber plate: A...Product with pierced holes

Header housing assembly

S 04 B - JWPS- K K S - X R

Shape of assembled product:
S...Side entry type

No. of circuits: 4

Part name : Header housing

Series name

Tab housing color: K...Black

Seal ring holder color: K...Black, S...Natural, E...Blue

Indication of clinch: S...Straight pin

Keying: X...X-Keying, Y...Y-Keying, Z...Z-Keying

Packaging specification: R...Packed in tray