

TALON

Outdoor Uni-PAK All-In-One Metering

Catalog Number

WTGL8612RJ, WPL8612RJ

Enclosure

Type 3R

Main Bus Rating: 800 Amps
 120/240 V~, 1 Phase, 3 Wire
 208Y/120 V~, 1 Phase, 3 Wire

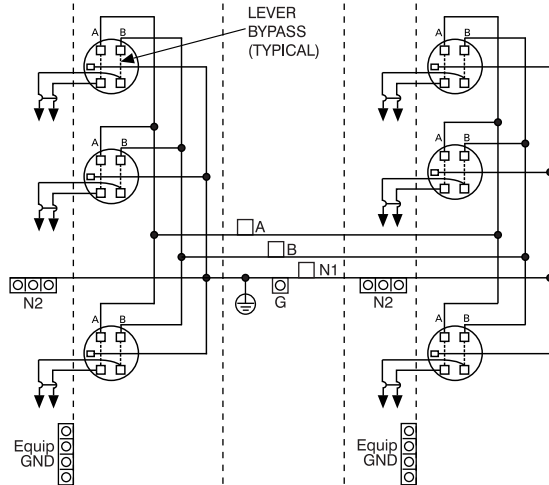
Meter Socket Rating: 200A Continuous
 Branch Rating:
 Top breakers both sides: 200Amps Max.
 All other breakers: 225 Amps Max.

For installation by Qualified Person in
 accordance with all local electrical
 codes and/or the National Electrical Code®.

Suitable Only For Use As Service Equipment. Install no more
 than six main disconnecting means.

For overhead or underground service.

Use 60/75°C Copper or Aluminum Conductors for all panel
 terminals and on circuit breaker terminals when breakers are so marked.



Terminal	Wire Size	Torque
A, B, N1	See Chart Below	
N2, G	300 kcmil - #4 AWG	275 LB-IN
Equip GND	#2/0 - 4 AWG	110 LB-IN
Lug Kit	Wire Size	Torque
H56476	800 kcmil - #3/0 AWG	500 LB-IN
H56732M	(2) 500 kcmil - #4 AWG	375 LB-IN

Terminals A, B, N1:
 Torque 3/8-16 Nuts (9/16" drive) to 250 lb.-in.

TALON

Outdoor Uni-PAK All-In-One Metering

General Information:

Circuit breaker overload trip position is indicated by handle position midway between ON and OFF. To reset, move handle to OFF position, then turn ON.

Short Circuit Current Rating

The maximum short circuit current rating of this device is 100,000 RMS symmetrical amperes, 120/240 V~. The actual rating is limited to the lowest interrupting rating of any circuit breaker installed. Use only Siemens type QS, QSH, QSHH, HQS, HQSH, QP, QPH, HQP, HQPH, LQ, MP-T, MP-HT, or MP-MT circuit breakers. Use of other circuit breakers in this device will void the warranty.

Accessories

5th Jaw, 9 o'Clock Position S35815-2
 Meter Socket Cover Plate (Ringless) . . ECCP3

Use HD Type Hubs if required

Trade Size (in)	Catalog No.
3"	H56856-2
3-1/2"	H56857-2
4"	H56858-2
Closure Plate	H56933

Important: Do not allow petroleum based (hydrocarbon) sprays, chemicals, solvents or any paint to contact interior components. Petroleum based chemicals can cause degradation of electrical insulating materials.