


## Installation Instructions

	<p style="text-align: center;"><b>⚠ DANGER</b></p> <p><b>Hazardous voltage. Will cause death or severe injury.</b></p> <p>Turn off and lock out all power supplying circuit breaker before installing.</p>
---	--

	<b>SAFETY INSTRUCTIONS</b>
---	----------------------------

NOTE: This instructions outline the recommended installation procedure.

When properly installed, the Rotary Handle Operator provides single point latching of the enclosure door. For maximum protection against unauthorized entry into the enclosure, additional latching means should be provided.

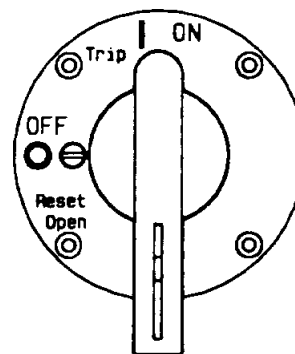
The rotary handle operator provides through-the-door operation of enclosure mounted circuit breakers and is UL approved for use in type 1 and 12 enclosures. The term "Circuit Breakers", used in these instructions, includes motor circuit interrupters and molded case switches.

This handle is used with an operator to operate the following I-T-E Circuit Breaker or Disconnect Switch.

### OPERATOR

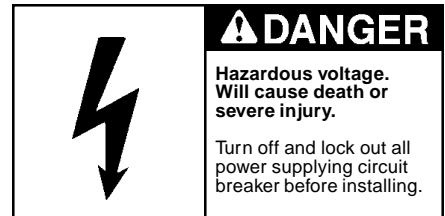
#### CAT. NO.    USE WITH

- RHOEBO • ED & EF Frame Circuit Breaker, (Three Pole Only) Types: ED2, ED4, ED6, HED4, HED6, HHED6, ED6-ETI, CED6-ETI, EFC & EFF.
- RHOFBO • FD & FF Frame Circuit Breaker, Types: FD6, HFD6, FXD6, HHFD6, HHFXD6, FXD6-ETI, CFD6, CFD6-ETI, FFC & FFF.
- RHOJBO • JD, LD, JF & LF Frame Circuit Breaker, Types: JXD2(-A), JXD6(-A), HJXD6(-A), CJD6(-A), LXD6(-A), HLXD6(-A), HHLXD6, CLD6(-A), JXD6(-A)ETI, CJD6(-A)ETI, LXD6(-A)ETI, CLD6(-A)ETI, SJD6(-A), SHJD6(-A), SCJD6(-A), SLD6(-A), SHLD6(-A), SCLD6(-A), JFC, JFF, LFC & LFF.
- RHOLMBO • LMD Frame Circuit Breaker, Types: LMD6, HLMD6, LMXD6, HLMXD6.
- RHOSO6 • I-T-E Disconnect Switch Cat. No.'s MCS603R, MCS606R and MCS610R.

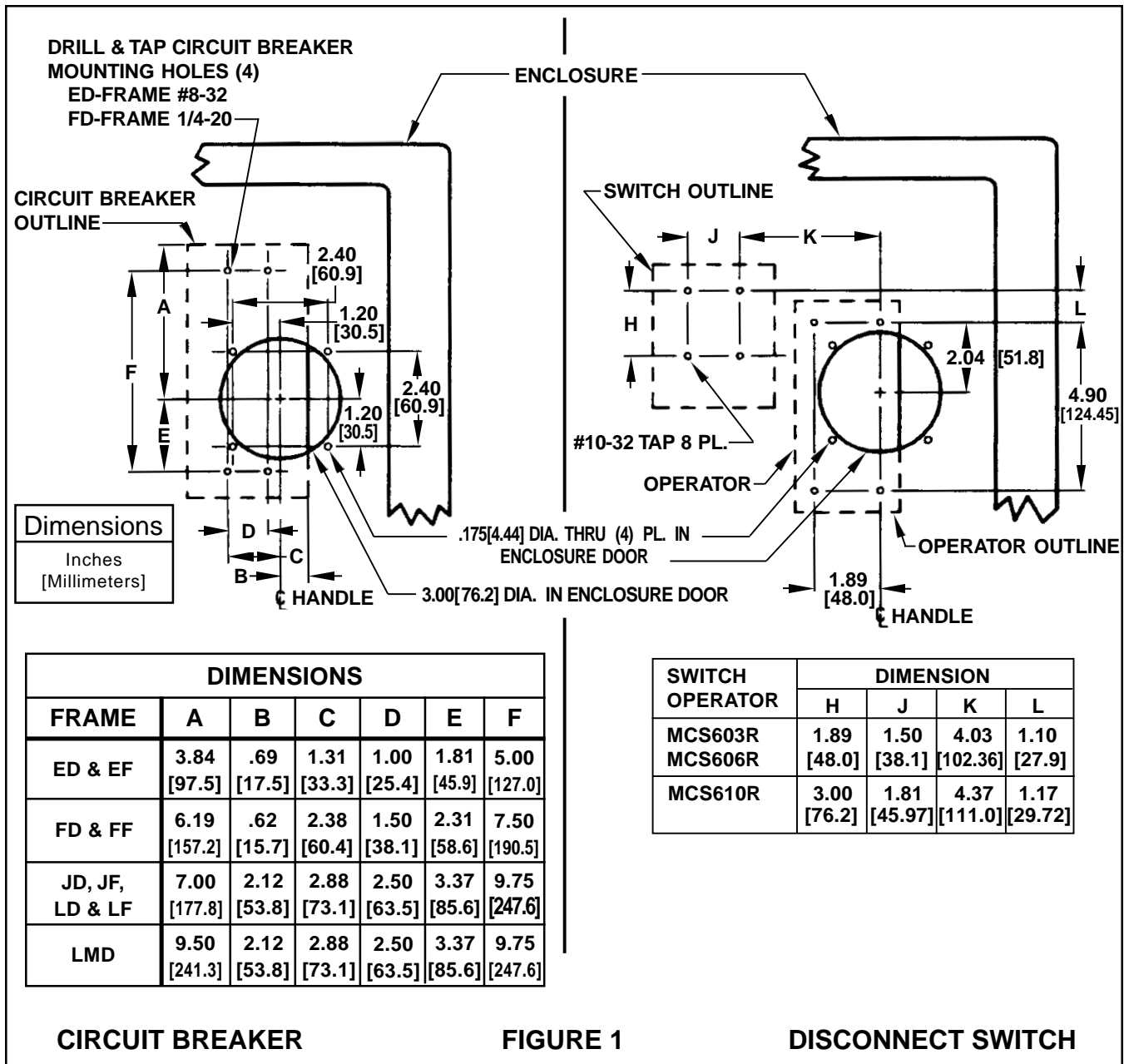


### FEATURES

- Handle can be padlocked in OFF position with up to three 5/16 inch padlocks.
- Handle is vertical when breaker is ON and horizontal when breaker is OFF.
- Interlocks with enclosure door.



# Installation Instructions

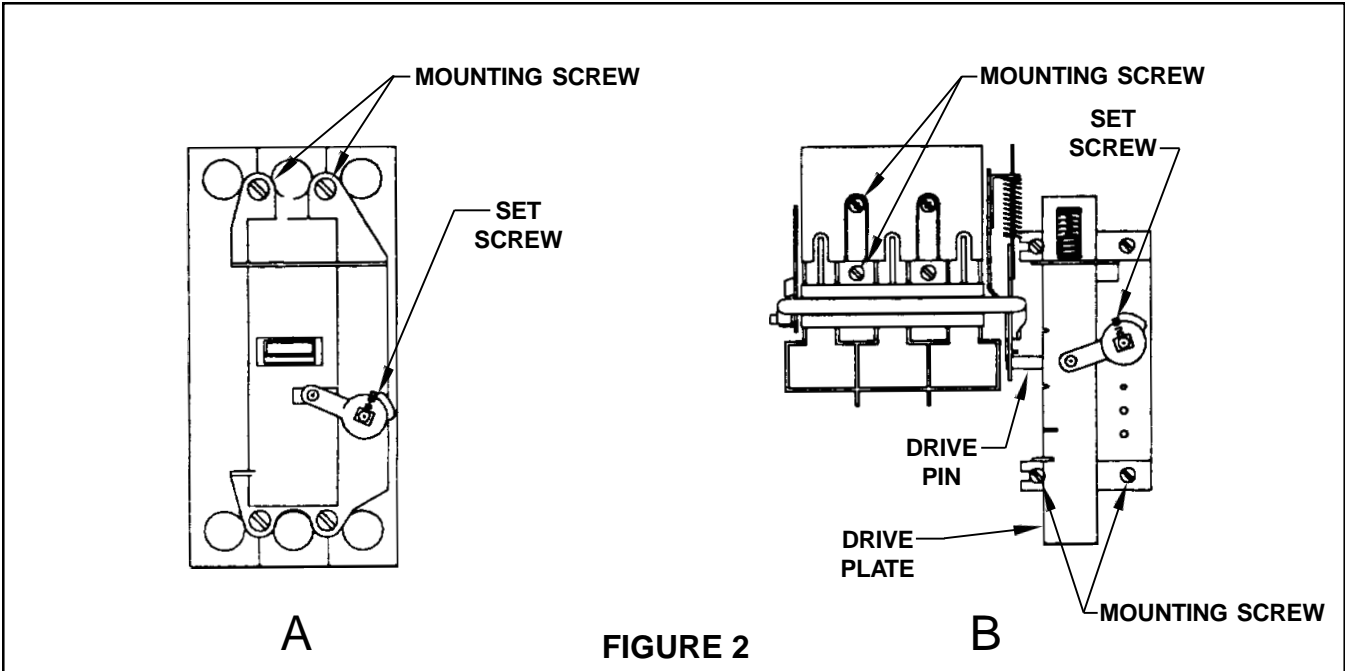


## 1. MOUNTING SURFACE PREPARATION

See Figure 1. Place circuit breaker mounting holes in enclosure panel and handle mounting holes in the enclosure door.



# Installation Instructions



### 2a. CIRCUIT BREAKER AND OPERATOR INSTALLATION.

See Figure 2A. Attach circuit breaker and operator to the enclosure panel using the four mounting screws and lockwashers as shown. Tighten ED Frame mounting screws to 20 In.-Lbs.[2.26 N/m]. Tighten FD, JD/LD and LMD Frame mounting screws to 75 In.-Lbs.[8.47 N/m].

### 2b. DISCONNECT SWITCH AND OPERATOR INSTALLATION.

See Figure 2B. 1. Attach disconnect switch to the mounting surface. SEE DISCONNECT SWITCH INSTALLATION INSTRUCTIONS FOR MOUNTING DETAILS.

2. Attach cat. no. RHOSO6 operator. SEE OPERATOR INSTALLATION INSTRUCTIONS FOR MOUNTING DETAILS.

### 3. SHAFT INSTALLATION

See figure 3. 1. Cut shaft to length ( L ):

ED Frame	$L = K - 3.32[84.33]$
FD Frame	$L = K - 3.77[95.76]$
JD/LD Frame	$L = K - 4.10[104.14]$
LMD Frame	$L = K - 4.60[116.84]$
Disc. Switch	$L = K - 2.77[70.35]$

2. Attach the shaft to the operating arm of the breaker operator and tighten set screw to 70 In.-Lbs.[7.91 N/m] min. Note proper orientation of the "WINGS" (shown in OFF position) at the end of the shaft when breaker is in OFF position.

⚠ DANGER

Hazardous voltage.  
Will cause death or severe injury.

Turn off and lock out all power supplying circuit breaker before installing.

# Installation Instructions

**FIGURE 3**

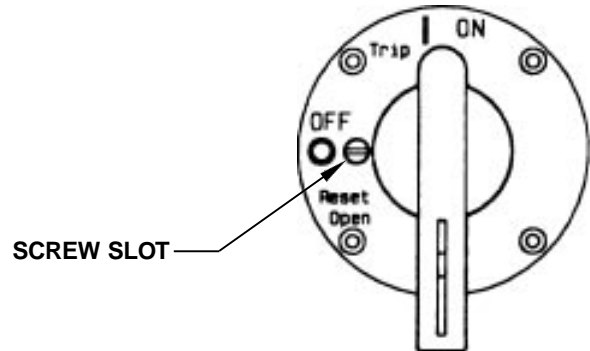
K DIMENSION		
	MIN.	MAX.
ED CIRCUIT BREAKER	5.97 [151.6]	16.28 [413.5]
FD CIRCUIT BREAKER	6.42 [163.07]	16.73 [424.9]
JD/LD CIRCUIT BRK.	6.75 [171.45]	17.06 [433.3]
DISCONNECT SWITCH	5.42 [184.15]	15.73 [446.0]
LMD CIRCUIT BRK.	7.25 [137.67]	17.56 [399.5]

## 4. HANDLE INSTALLATION

See Figure 3. Attach handle (1) and gasket (2) to the door using four each 8-32 x .62 pan head screws (3) flatwashers (4) lockwashers (5) and nuts (6).

## 5. PERFORMANCE CHECK

Check that when the enclosure door is closed, the handle interlocks with the shaft in all handle positions except RESET/OPEN. To open the enclosure door when the breaker is in the ON position, rotate the screw slot on the handle plate counter-clockwise. Verify operation and recheck instructions if necessary.



## 6. LOCK IN OFF POSITION

To lock handle in OFF position, pull the lock plate from the handle and insert up to three 5/16 inch padlocks.

