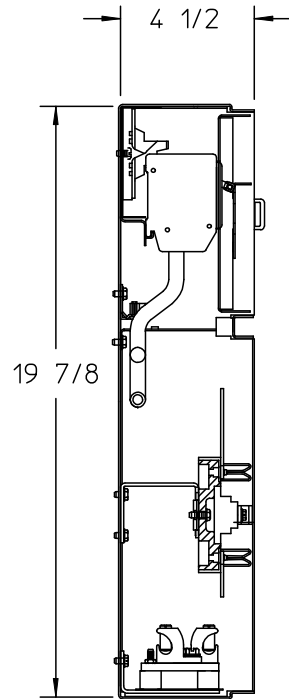
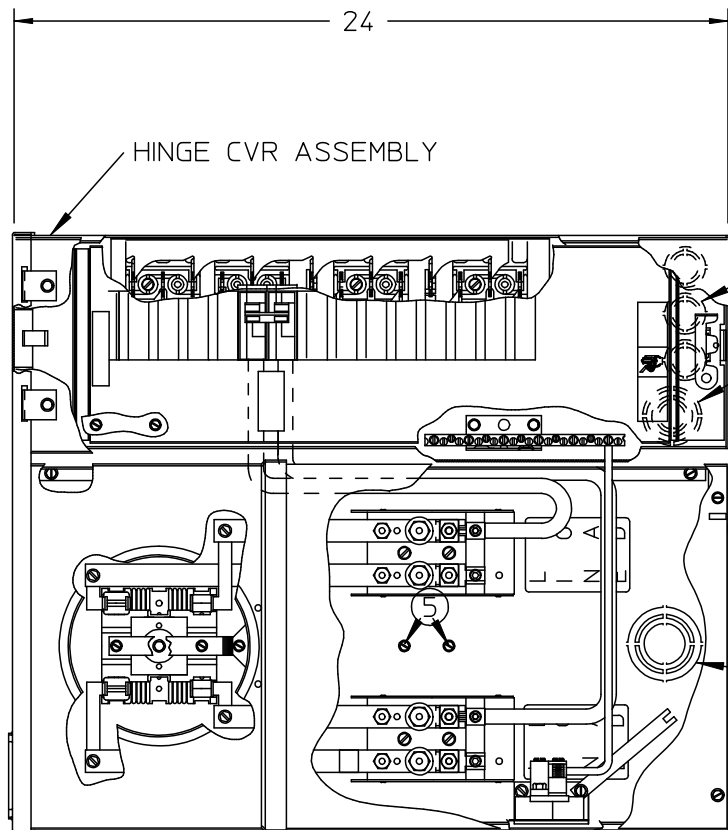


DEADFRONT ASSEMBLY



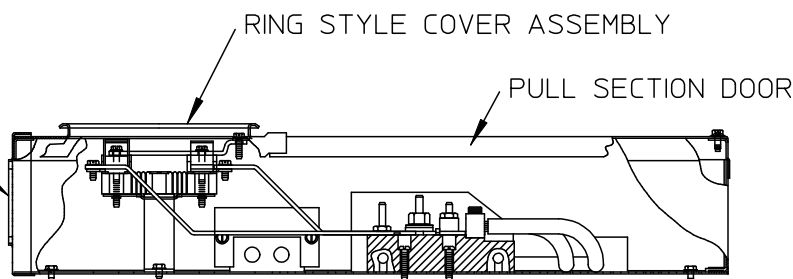
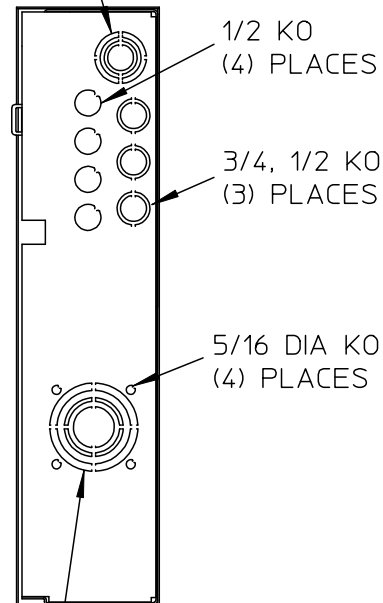
1-1/4, 1, 3/4, 1/2 KO

1, 3/4, 1/2 KO
(3) PLACES IN BACK

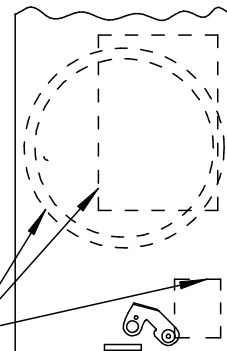
1-1/2, 1-1/4, 1, 3/4, 1/2 KO
(1) PLACES IN BACK

2, 1-1/2, 1-1/4, 1 KO
(2) PLACES

2-1/2, 2, 1-1/2, 1-1/4, 1 KO



SEE NOTE 4



- NOTES:
- 1) FINISH: GRAY
 - 2) CABINET: 16 GA GALV STEEL
 - 3) 100 AMP, 120/240 VAC, 1 PHASE, 3 WIRE
 - 4) SEALING RING, HUB COVER PLATE ASY, NEMA INSTR SHEET PLACED INSIDE OF BOX BEFORE DEADFRONT IS SECURED.
 - 5) UL LISTED - FILE E27485

CATALOG NO. MC1224B1100CEY
 TYPE 3R ENCLOSURE (RAINPROOF) TOP OR BOTTOM FEED
 SUITABLE ONLY FOR USE AS SERVICE EQUIPMENT.
 DEVICE RATING: 100 AMPS MAXIMUM, 120/240 VAC (4 JAW), SINGLE PHASE, THREE WIRE, OR 208Y/120 VAC (5 JAW), SINGLE PHASE, THREE WIRE. METER SOCKET RATING: 100 AMPS CONTINUOUS.
 THIS DEVICE HAS A MAXIMUM SHORT CIRCUIT CURRENT RATING OF 42,000 RMS SYMMETRICAL AMPERES AT 240 VAC MAXIMUM. (Watt-Hour meter not included in short circuit current rating). ANY CIRCUIT BREAKER INSTALLED OR REPLACED IN THIS PANELBOARD MUST BE MANUFACTURED BY MURRAY OR SIEMENS AND MUST BE OF THE CORRECT TYPE AS INDICATED IN THE TABULATION BELOW.

MAX short circuit current rating in RMS symmetrical Amperes	When the installed main breaker Type is a	And the field installed branch breaker Types are
42,000	Murray Type MP-MT or	Murray MP-T, MP-HT, MP-MT, MH-T, MP-GT, MP-HGT, MP-ET, MP-HET, MH-AT, MP-HAT
	Siemens Type HQP	Siemens QP, QPH, HQP, QT, QPF, QPHF, QE, QEH, QAF, QAFH
22,000	Murray Type MP-HT	Murray MP-T, MP-HT, MP-MT, MH-T, MP-GT, MP-HGT, MP-ET, MP-HET, MP-AT, MP-HAT
	Siemens Type QPH	Siemens QP, QPH, HQP, QT, QPF, QPHF, QE, QEH, QAF, QAFH.
10,000	Murray Type MP-T	Murray MP-T, MP-HT, MP-MT, MH-T, MP-GT, MP-HGT, MP-ET, MP-HET, MP-AT, MP-HAT, TALON LQ
	Siemens Type QP	Siemens QP, QPH, HQP, QT, QPF, QPHF, QE, QEH, QAF, QAFH, TALON LQ

FOR 1" FILLER PLATE ORDER ECQF3,
 FOR EQUIPMENT GROUND BAR ORDER ECLX SERIES,
 FOR 5TH JAW ORDER EC5J,
 IF HUB IS REQUIRED SELECT FROM RX LIST.

RX TYPE HUBS

SIZE	CAT. NO.
1 1/4"	EC38597
1 1/2"	EC38598
2"	EC38599
2 1/2"	EC38600

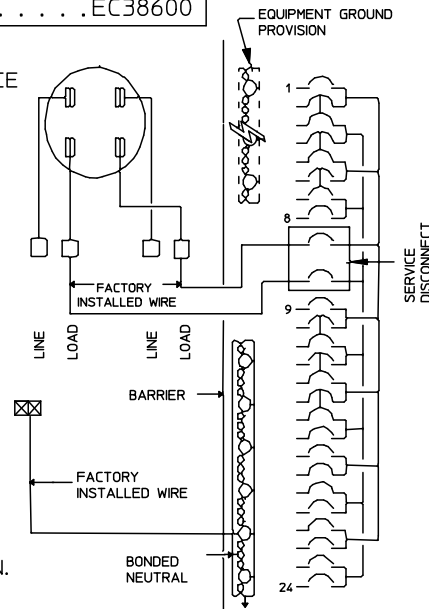
TERMINALS SUITABLE FOR USE WITH 60/75°C, AL/CU INSULATED WIRE
 SIZE WIRE ONLY TO 60°C OR 75°C AMPACITY LIMITS AND IN ACCORDANCE
 WITH BREAKER MARKINGS AND WIRE BENDING SPACE REQUIREMENTS.

WIRE SIZE (AWG)	□	⊗	○	◊
2/0	110	---	---	---
1/0	110	50	---	---
1-3	110	50	45	---
4	110	45	45	---
6	110	45	45	35
8	---	40	40	25
10-14	---	35	35	20

TERMINAL WIRE RANGES (AWG)

- = (1) #2/0-6
- ⊗ = (1) #1/0-14
- = LIMITED TO (1) #1-14CU, #1-12AL
OR (2 OR 3) *#10-14CU, #10-12AL
- ◊ = (1) #6-14CU, #6-12AL OR

TEST BLOCK CONTACT NUT (5/8" ACROSS FLATS): TORQUE TO 50 LB-IN.
 *ONLY EQUIPMENT GROUND TERMINAL MAY USE MORE THAN ONE CONDUCTOR PER TERMINAL.



UNLESS OTHERWISE SPECIFIED DIMENSIONS ARE IN INCHES

TOLERANCES:
 .XX
 .XXX
 HOLE DIAMETER
 ANGULAR
 UNDIMENSIONED 90° ANGLES

-CONFIDENTIAL-PROPERTY OF
 Siemens Energy & Automation, Inc.

Residential Products Division

SKT 100A 1P HO EUSERC

DWN	CJD	DATE	10-22-07	SIZE	ISSUE RELEASE NO.	DWG NO.	MC1224B1100CEY	REV
CHK		DATE		B				
APVD		DATE		SCALE	DO NOT SCALE DRAWING	SHEET	1 OF 1	