



1-pole



2-pole (35-60A)



2-pole (15-30A)

SPECIFICATION SHEET

Ground Fault Circuit Interrupters

Class A 5mA
usa.siemens.com/gfci

SIEMENS

Features

- Available in 1-pole (15-30A) and 2-pole smaller form (15-30A) and bigger (35 - 60A)
- Available in 10kA, 22kA and 65kA interrupting rating
- Includes Self Test as required by UL943 as an added safety feature
- Suitable for a variety of construction applications: spas, hot tubs, kitchens, bathrooms, etc.
- Resists false tripping (shielded to prevent RF interference)
- Standard 1 inch per pole format in plug-in (all) and Plug-on Neutral (1 and 2-pole 15-30A) designs
- UL and cUL listed
- Also available in BLF type (low tab bolt-on)
- Provides Class A GFCI protection
- HACR and SWD rated



Siemens GFCI circuit breakers are UL Listed and cUL Certified as Class A devices. Current imbalances of 4-6 milliamps or more between load conductors will cause the ground fault sensor to trip the circuit breaker.

These circuit breakers offer the Self Test feature as required by UL 943. UL suggests GFCI devices be tested every 30 days after installation to ensure they are properly working. Testing GFCIs on a monthly basis is a good idea that is sometimes forgotten. The Self Test feature enables the GFCI to automatically and continuously test itself to ensure that it is working properly. If it is detected that the device has been compromised, the device trips itself. This will help guarantee the best protection is given to your home at all times.

Note for the 2pole GFCI: A load neutral is not required on the circuit. However, the white line neutral (pigtail) must be connected to the panel neutral for the device to function.

The Siemens 2-pole GFCI circuit breaker can be installed on a 120/240V AC single phase, 3 wire system, the 120/240V AC portion of a 240/120 volt, 3 phase, 4 wire system, or on a 208Y/120 volt, 3 phase, 4 wire system. When installed on these systems, protection is provided for 2 wire, 240V AC or 208V AC circuits; 3 wire, 120/240V AC circuits.

The Siemens 1-pole GFCI circuit breaker is to be installed on a single-phase circuit rated 150 volts to ground or less.

Selection Information

Plug-in Ground-Fault Circuit Interrupters

Breaker Type	Amp Rating	10,000 A IR Catalog No.	22,000 A IR Catalog No.	65,000 A IR Catalog No.
1-Pole 120V AC Plug-in				
QPF2/QPHF2/HQPF2	15	QF115A	QF115AH	QF115AHH
	20	QF120A	QF120AH	QF120AHH
	30	QF130A	QF130AH	QF130AHH
2-Pole 120/240V AC Plug-in				
QPF2B/QPHF2B/HQPF2B	15	Q215GF	Q215GFH	Q215GFHH
	20	Q220GF	Q220GFH	Q220GFHH
	25	Q225GF		
	30	Q230GF	Q230GFH	Q230GFHH
QPF/QPHF	35	QF235A		
	40	QF240A	QF240AH	
	45	QF245A		
	50	QF250A	QF250AH	
	60	QF260A	QF260AH	

Plug-On Neutral Ground-Fault Circuit Interrupters

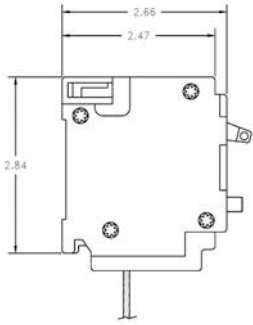
Breaker Type	Amp Rating	10,000 A IR Catalog No.
1-Pole 120V AC Plug-On Neutral		
QPF2N	15	QF115AN
	20	QF120AN
	30	QF130AN
2-Pole 120/240V AC Plug-On Neutral		
QPF2BN	15	Q215GFN
	20	Q220GFN
	25	Q225GFN
	30	Q230GFN

Bolt-on Ground-Fault Circuit Interrupters

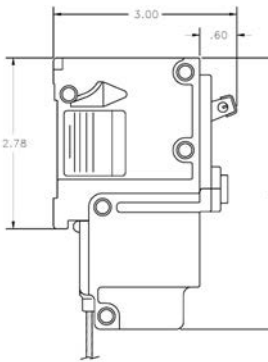
Breaker Type	Amp Rating	10,000 A IR Catalog No.	22,000 A IR Catalog No.	65,000 A IR Catalog No.
1-Pole 120V AC Bolt-on				
BLF2/BLHF2/HBLF2	15	BF115A	BF115AH	BF115AHH
	20	BF120A	BF120AH	BF120AHH
	30	BF130A	BF130AH	BF130AHH
2-Pole 120/240V AC Bolt-on				
BLF2B/BLHF2B/HBLF2B	15	B215GF	B215GFH	B215GFHH
	20	B220GF	B220GFH	B220GFHH
	30	B230GF	B230GFH	B230GFHH
BLF/BLHF	40	BF240A	BF240AH	
	50	BF250A	BF250AH	
	60	BF260A	BF260AH	

Dimensions

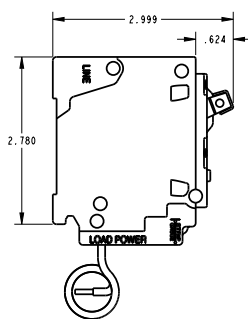
1-pole (1" Wide)



2-pole (2" Wide) (35-60A)

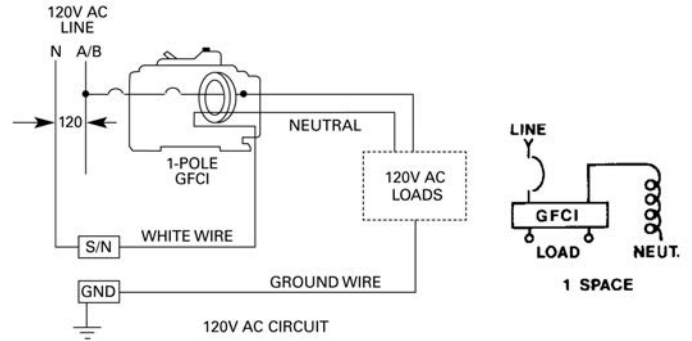


2-pole (2" Wide) (15-30A)

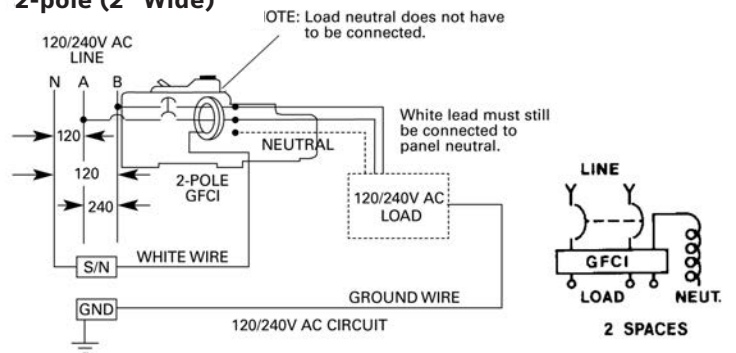


Wiring Diagrams

1-pole (1" Wide)



2-pole (2" Wide)



Legal Manufacturer

Siemens Industry, Inc.
3617 Parkway Ln
Peachtree Corners, GA 30092
United States of America

Telephone: +1 (800) 333-7421
www.usa.siemens.com/gfci

Order No. RPFL-GFCIN-0123
© 01.2023, Siemens Industry, Inc.

This document contains a general description of available technical options only, and its effectiveness will be subject to specific variables including field conditions and project parameters. Siemens does not make representations, warranties, or assurances as to the accuracy or completeness of the content contained herein. Siemens reserves the right to modify the technology and product specifications in its sole discretion without advance notice.