

**SIEMENS**  
Ingenuity for life



Enclosure Types

## Enclosures for the 3VA Circuit Breaker family

3VA Circuit Breaker enclosures for the 125A, 150A, 250A, 400A and 600A breakers provide a significant enhancement of the Siemens product offering. The fundamental

objective of this family of enclosures is to reduce installation cost of the breaker, as well as reducing the space required for low amperage breaker enclosures.

These enclosures support the 3VA 125A, 150A, 250A, 400A and 600A Circuit Breakers:

Enclosure Type	125A Catalog No.	150A/250A Catalog No.	400A/600A Catalog No.
Type 1 Surface	3VAE125N1S	3VAE250N1S	3VAE6001S
Type 1 Flush	3VAE125N1F	3VAE250N1F	3VAE6001F
Type 3R	3VAE125N3R	3VAE250N3R	3VAE6003R
Type 12	3VAE125N12	3VAE250N12	3VAE60012
Type 4X	3VAE125N4X	3VAE250N4X	3VAE6004X
Type 4X 316 Stainless	3VAE125N4X316	3VAE250N4X316	3VAE6004X316

Replacement Neutral Kits:

Breaker size	Rating	Neutral Catalog No.	Wire Range
125A, 150A, 250A	200%	N250X	#6-350 kcmil CU/AL Gnd. #14 - 1/0
		N2250X	#6-350 kcmil CU/AL Gnd. #6 - 2/0 CU/AL
400A, 600A	200%	HN656ACB	1/0 AWG - 600 kcmil CU/AL Gnd. #6 - 300 kcmil CU/AL
		HN678ACB	1/0 AWG - 600 kcmil CU/AL Gnd. #6 - 300 kcmil CU/AL

[usa.siemens.com/circuitbreakers](http://usa.siemens.com/circuitbreakers)

## Enclosures

### Type 1S, 1F

A general indoor, sheet-steel enclosure for use in normal atmospheres. Listed for use as service entrance equipment.

### Type 3R

An outdoor, sheet-steel enclosure providing protection against driving rain, sleet or snow. Listed for use as service entrance equipment.

### Type 12

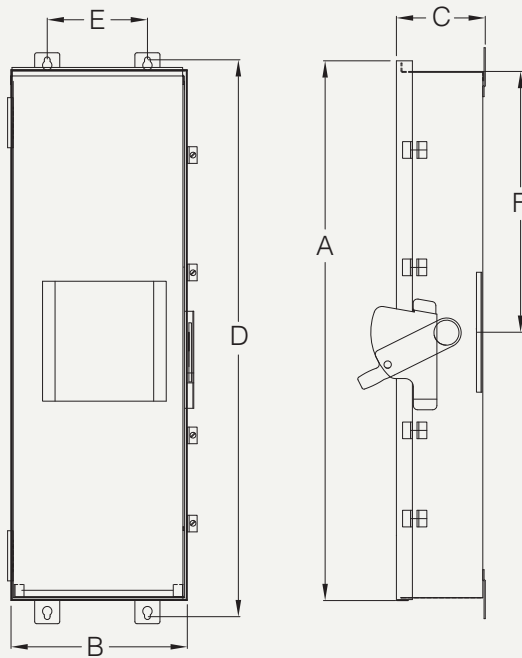
A special-industry, sheet-steel enclosure for use in atmospheres containing particles of lint, dust, dirt, sawdust and other foreign matter. Listed for use as service entrance equipment.

### Type 4, 4X

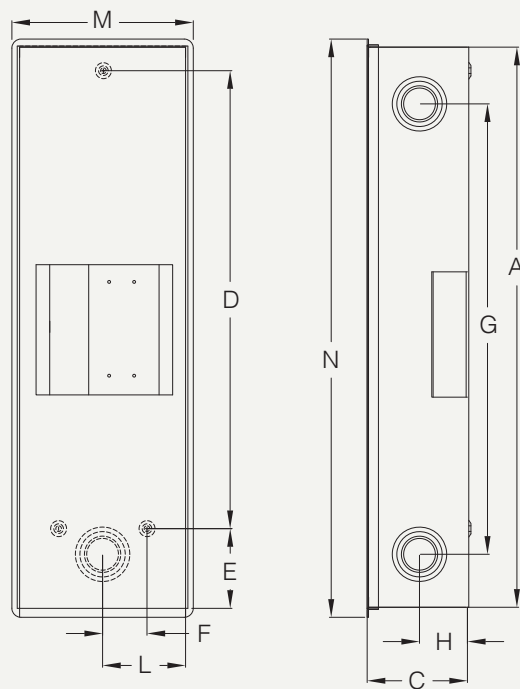
Stainless steel indoor or outdoor enclosure designed for use in areas where serious corrosion problems exist. They provide a degree of protection against windblown dust, rain, splashing water and hose-directed water. Available in both 304 Stainless Steel and 316 Stainless Steel. Meets Type 3, 4, 4X, 12 and 13 requirements and UL 508 Type 4 and 4X requirements. Listed for use as service entrance equipment.

## Dimensions for 125A and 150A/250A Enclosures

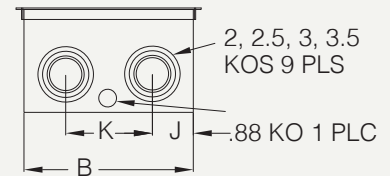
Type 4X and 4X 316



Type 1S, 1F, 3R and 12

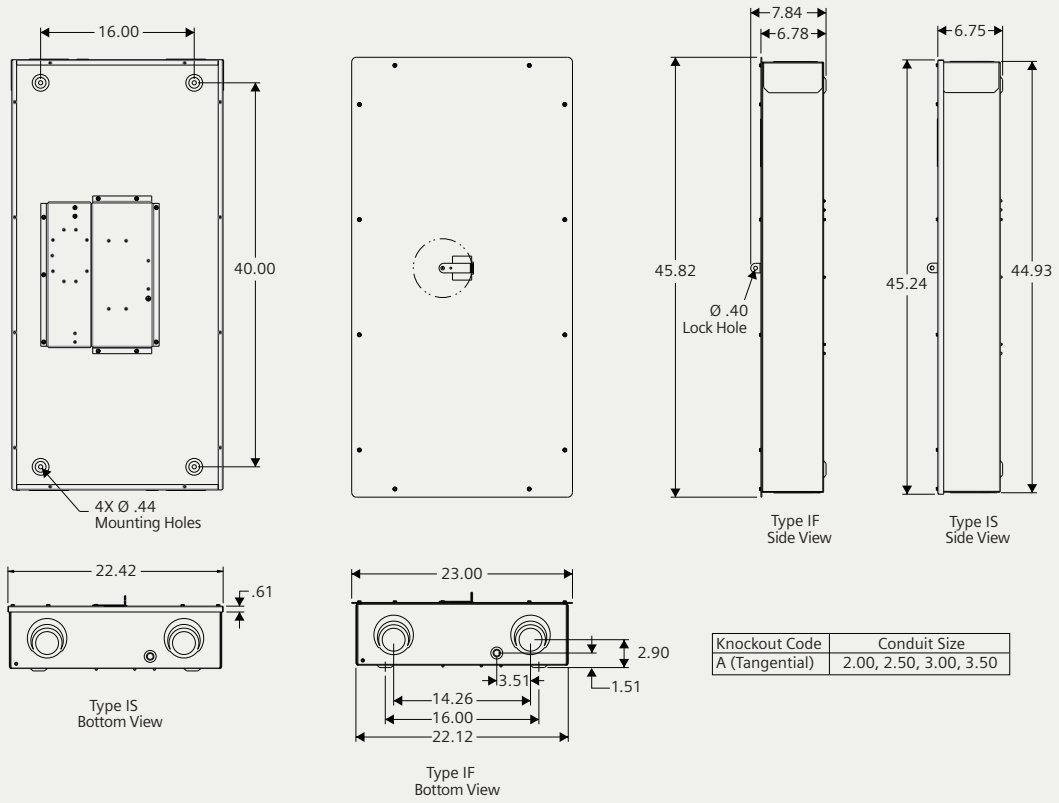


Breaker Frame	NEMA Type	A	B	C	D	E	F	G	H	J	K	L	M	N
3VA 125A	Type 1S, 1F	18.5	6.9	4.5	15.5	1.5	2.3	—	1.8	1.9	3	3.4	7.3	19.6
	Type 3R	18.5	6.9	4.5	15.5	1.5	2.3	—	1.8	1.9	3	3.4	7.3	19.4
	Type 12	18.5	6.9	4.5	15.5	1.5	2.3	—	1.8	—	—	7.3	19.4	—
	Type 4X, 4X316	19.4	7.7	5.7	19.5	5	9.3	—	—	—	—	—	—	—
3VA 150A and 250A	Type 1S, 1F, 12, 3R	31.2	9.6	5.7	25.3	4.2	2.4	24.8	2.8	2.4	4.8	4.8	9.6	32.3
	Type 4X, 4X316	32.2	10.2	5.8	32.9	6	18	—	—	—	—	—	—	—

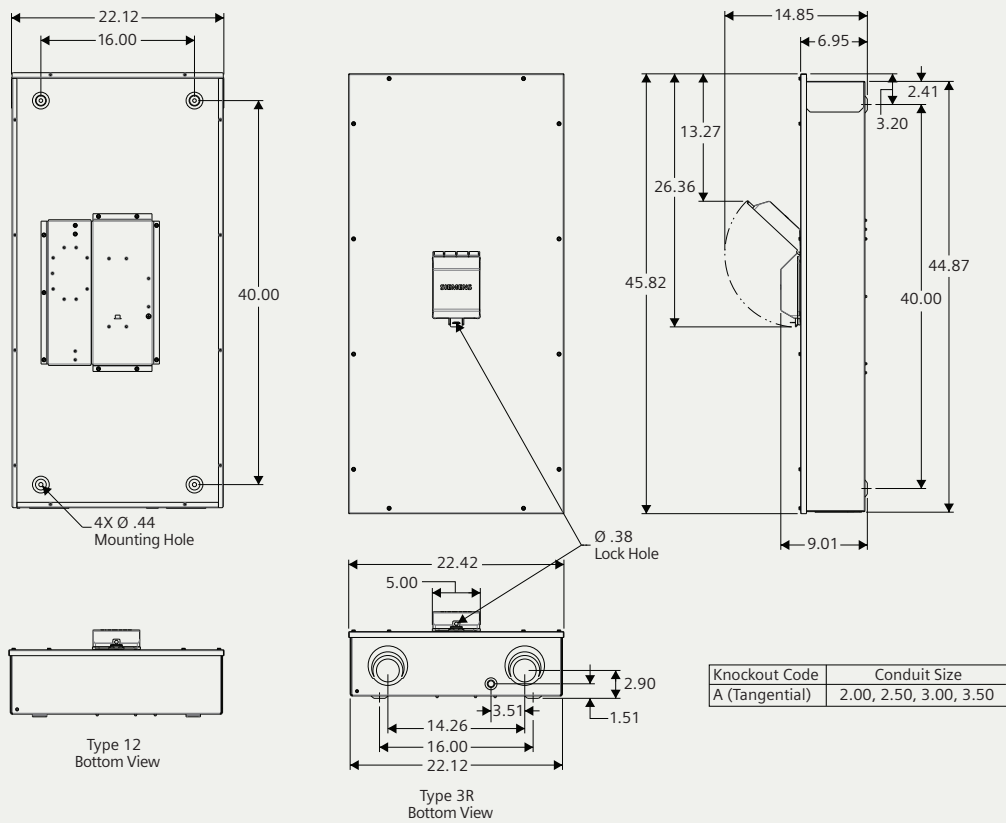


# Dimensions for 400A/600A Enclosures

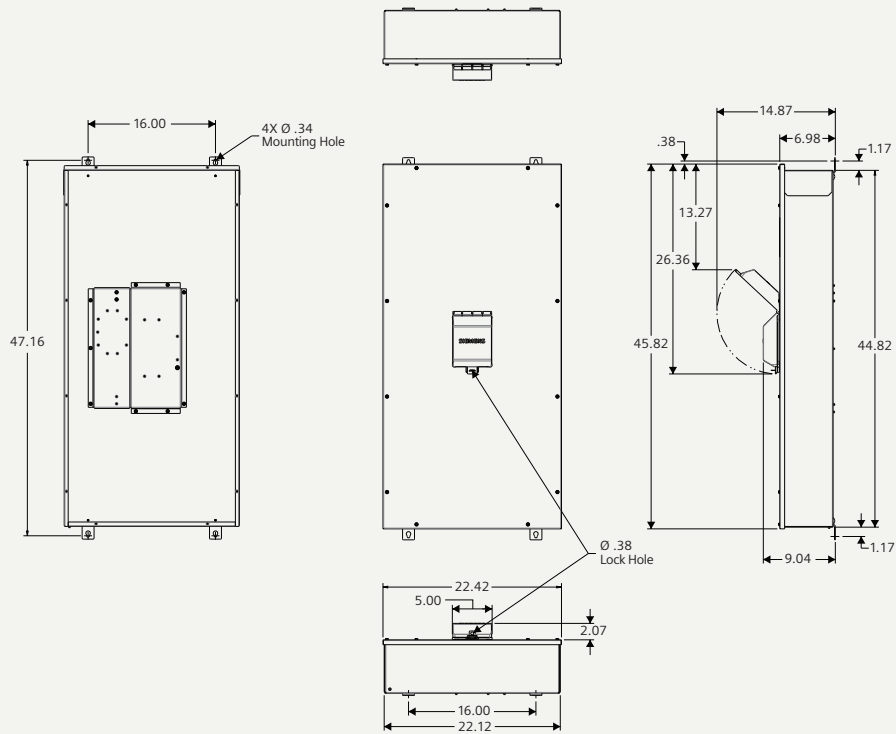
## Type 1S/1F



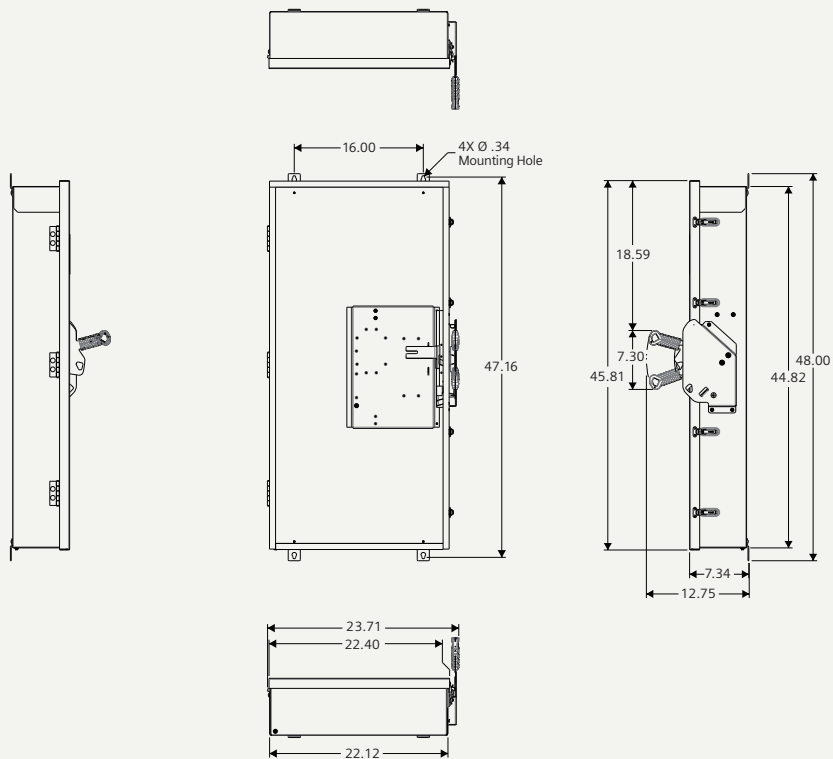
## Type 3R



## Type 12



## Type 4X / 4X316



Published by  
Siemens Industry, Inc. 2019.

Siemens Industry, Inc.  
5400 Triangle Parkway  
Norcross, GA 30092

For more information, please contact  
our Customer Support Center.

Phone: 1-800-241-4453

E-mail: [info.us@siemens.com](mailto:info.us@siemens.com)

[usa.siemens.com/circuitbreakers](http://usa.siemens.com/circuitbreakers)

Order No.: CBDS-3VAEN-0619

Printed in U.S.A.

© 2019 Siemens Industry, Inc.

The technical data presented in this document is based on an actual case or on as-designed parameters, and therefore should not be relied upon for any specific application and does not constitute a performance guarantee for any projects. Actual results are dependent on variable conditions. Accordingly, Siemens does not make representations, warranties, or assurances as to the accuracy, currency or completeness of the content contained herein. If requested, we will provide specific technical data or specifications with respect to any customer's particular applications. Our company is constantly involved in engineering and development. For that reason, we reserve the right to modify, at any time, the technology and product specifications contained herein.