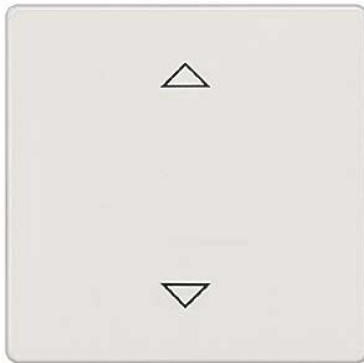


Product and Applications Description



The pushbutton sys shutter is used for the operation of the shutter control insert sys. The available colours match the DELTA switch ranges i-system (vita, line), profil and style. The pushbutton is clipped onto the insert together with the relevant frame of the switch ranges (to be ordered separately) and the transmission of information is carried out via the specific 230V physical external interface (230V-PEI), depending on the respective pushbutton action (TOP, BOTTOM).

DELTA i-system (DELTA vita, DELTA line):

DELTA i-system shutter pushbutton sys, titanium white	5TC1 321
DELTA i-system shutter pushbutton sys, carbon metallic	5TC1 322
DELTA i-system shutter pushbutton sys, aluminium metallic	5TC1 323

DELTA profil:

DELTA profil shutter pushbutton sys, titanium white	5TC1 330
DELTA profil shutter pushbutton sys, pearl grey	5TC1 331
DELTA profil shutter pushbutton sys, anthracite	5TC1 332
DELTA profil shutter pushbutton sys, silver	5TC1 333
DELTA profil shutter pushbutton sys, champagne	5TC1 334
DELTA profil shutter pushbutton sys, bronze	5TC1 335
DELTA profil shutter pushbutton sys, tobacco	5TC1 336

DELTA style:

DELTA style shutter pushbutton sys, titanium white	5TC1 337
DELTA style shutter pushbutton sys, basalt black	5TC1 338

Operational concept:

The pushbutton actions of the pushbutton sys shutter can be carried out at the TOP or BOTTOM. The commands UP, DOWN and STEP (i.e. stop or stepwise movement of the louvres OPEN/CLOSED) are available.

STEP-command (Actions shorter than 0.4s):

TOP	STOP/ louvres OPEN
BOTTOM	STOP/ louvres CLOSED

UP/DOWN-command (Actions longer than 0.4s):

TOP	UP-moving command
BOTTOM	DOWN-moving command

Installation Instructions

Caution:

The device may be used for interior installations and in dry rooms only in connection with the shutter control insert sys.



WARNING

- The device must be mounted and commissioned by an authorised electrician.
- The device must not be opened.
- The device may be mounted in switch and socket combination box mounts provided that only VDE-certified devices are used.
- The prevailing safety and accident regulations must be observed.

Technical Specifications

Power supply

via 230V physical external interface (230V-PEI) of the shutter control insert sys.

Connections

10 pin bar (230V-PEI) for connection to the shutter control insert sys.

Mechanical specifications

- Housing: plastics
- Dimensions (L x W x D):

DELTA i-system	55x55x24 mm (including spring)
DELTA profil	65x65x25 mm (including spring)
DELTA style	68x68x27 mm (including spring)
- Weight: approx. 30g
- Fire load: approx. 950 kJ
- Mounting: placed on the shutter control insert sys

Electrical safety

- Pollution degree (according to IEC 60664-1): 2
- Protection (according to EN 60529): IP 20
- Overvoltage class (according to IEC 60664-1): III
- Device complies with EN 60669-2-1

Electromagnetic compatibility

complies with EN 61000-6-3, EN 61000-6-1

Environmental specifications

- Climatic conditions: EN 50090-2-2
- Ambient temperature operating: - 5 ... + 45°C
- Storage temperature: - 25 ... + 70°C
- Relative humidity (non-condensing): 5% to 93%

Certification

VDE certificate in preparation

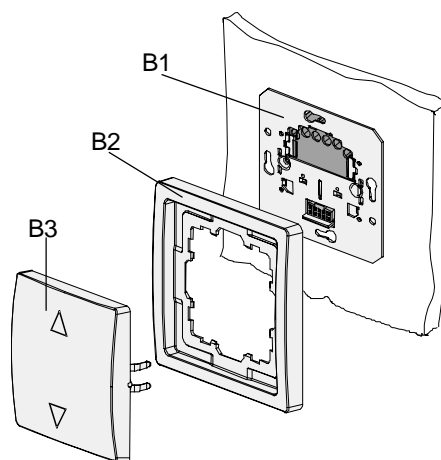
CE norm

complies with the EMC regulations (residential buildings), low voltage regulations

Mounting

The pushbutton sys shutter is clipped onto the shutter control insert sys together with its frame. The electrical connection between the pushbutton and the insert is thus established via the 230V-PEI.

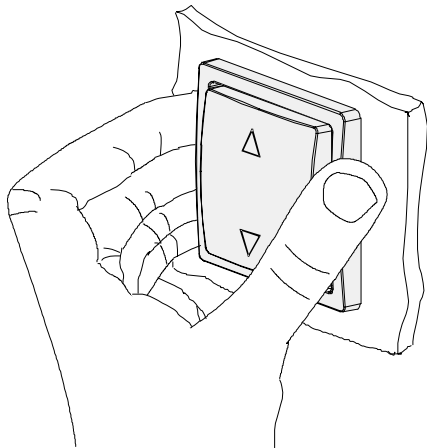
Mounting:



- B1 Shutter control insert sys
 B2 Frame
 B3 Pushbutton sys shutter

- 1) The shutter insert sys is connected and mounted inside the flush-type box (see mounting instructions shutter control insert sys).
- 2) Place the pushbutton sys shutter together with its frame onto the shutter control insert sys.

Dismantling:



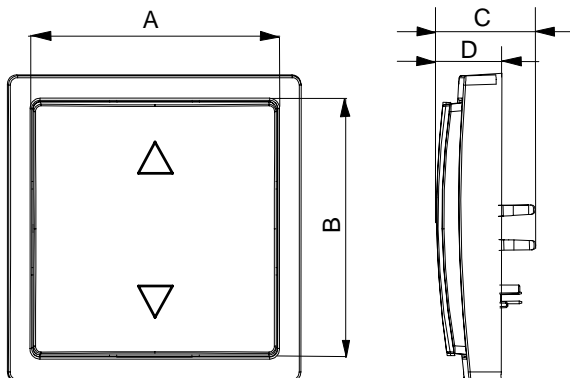
Remove the pushbutton sys manually together with its frame.

Caution:
 Cut-out frames have to be used to integrate the pushbutton sys shutter into the DELTA profil range!

Dimensions Diagram

Dimensions in mm

	A	B	C	D
DELTA i-system	55	55	24	13
DELTA profil	65	65	25	14
DELTA style	68	68	27	16,5



General notes

- Any faulty devices should be returned to the local Siemens office.
- If you have further questions concerning the product please contact our technical support:

☎ +49 (0) 180 50 50-222
 📠 +49 (0) 180 50 50-223
 ✉ adsupport@siemens.com

DELTA

Technical Product Information

May 2002

DELTA pushbutton sys shutter

5TC1 3..

Notes