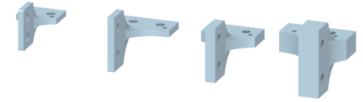
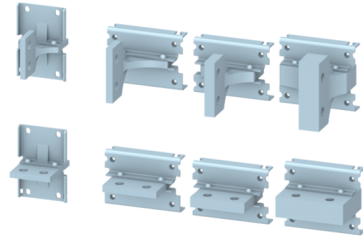


# SIEMENS

## Rear vertical main connections for fixed-mounted circuit breaker



## Rear vertical/horizontal main connections for withdrawable circuit breaker



3WJ9111-0AM1.  
3WJ9111-0AM2.

3WJ9111-0AV1.  
3WJ9111-0AV2.

3WJ9111-0AX1.  
3WJ9111-0AX2.

### Operating Instructions

	<b>⚠ DANGER</b> <b>Hazardous voltage. Will cause death or serious injury.</b> Turn off and lock out all power supplying this device before working on this device. Replace all covers before power supplying this device is turned on.
	<b>NOTICE</b> Installation and maintenance must be carried out by qualified personnel.
	<b>Information</b>

### 3WJ: Manual



<https://sie.ag/3pi6i0D>


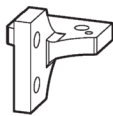
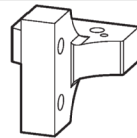

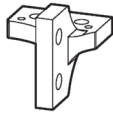
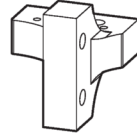
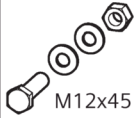
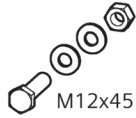

## Contents

For fixed mounted circuit breaker

FS 1

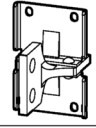

3WJ9111-...	...0AM11	...0AM12	...0AM13	...0AM14	...0AM15	...0AM16
	1000 A		1250 A		1600 A	
	3P	4P	3P	4P	3P	4P
	3x	4x	3x	4x	3x	4x
M12x30	6x	8x	6x	8x	6x	8x

FS 2

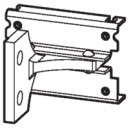
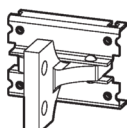
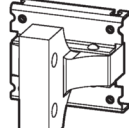
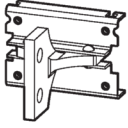
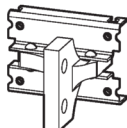
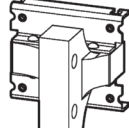
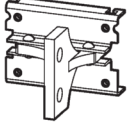

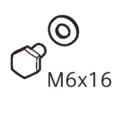

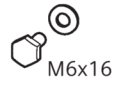
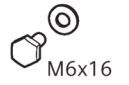
3WJ9111-...	...0AM21	...0AM22	3WJ9111-...	...0AM23	...0AM24	3WJ9111-...	...0AM25	...0AM26	
		2000 A						3200 A	
		3P	4P					3P	4P
	1x	1x		1x	1x		1x	1x	
	2x	3x		2x	3x		2x	3x	
 M12x45	6x	8x	 M12x45	6x	8x	 M12x80	6x	8x	

For withdrawable circuit breaker

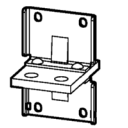

FS 1

3WJ9111-...	...0AV11	...0AV12	...0AV13	...0AV14	...0AV15	...0AV16	
		1000 A		1250 A		1600 A	
		3P	4P	3P	4P	3P	4P
	3x	4x	3x	4x	3x	4x	
 M6x25	12x	16x	12x	16x	12x	16x	

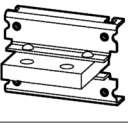
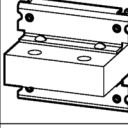


FS 2

3WJ9111-...	...0AV21	...0AV22	...0AV27	3WJ9111-...	...0AV23	...0AV24	3WJ9111-...	...0AV25	...0AV26		
			2000 A			2500 A			3200 A		
			3P	4P	4P				3P	4P	
	1x	1x	2x		1x	1x		1x	1x		
	1x	1x	1x		2x	3x		2x	3x		
	1x	2x	1x								
	12x	16x	16x		12x	16x		12x	16x		

FS 1

3WJ9111-...	...0AX11	...0AX12	...0AX13	...0AX14	...0AX15	...0AX16	
		1000 A		1250 A		1600 A	
		3P	4P	3P	4P	3P	4P
	3x	4x	3x	4x	3x	4x	
	12x	16x	12x	16x	12x	16x	

FS 2

3WJ9111-...	...0AX21	...0AX22	3WJ9111-...	...0AX23	...0AX24	3WJ9111-...	...0AX25	...0AX26	
		2000 A						3200 A	
		3P	4P					3P	4P
		3P	4P		3x	4x		3x	4x
		3P	4P		12x	16x		12x	16x



## Required tools



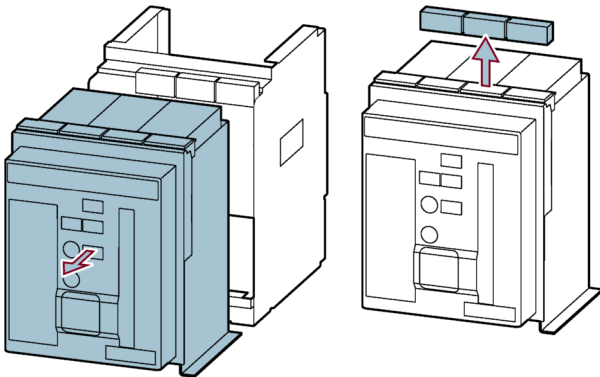
10 mm  
19 mm



PH2



## Removal



3WJ: fixed



<https://sie.ag/3oYkSKt>

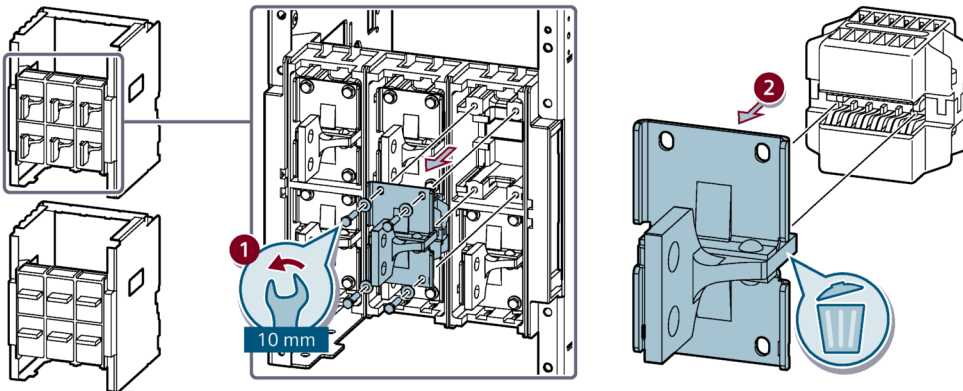
3WJ: draw-out



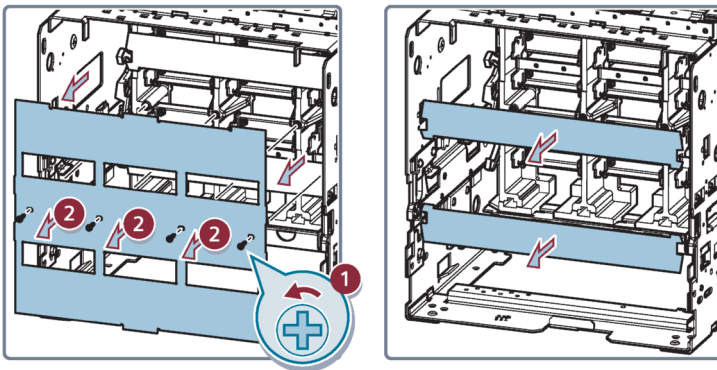
<https://sie.ag/3gUKOSE>

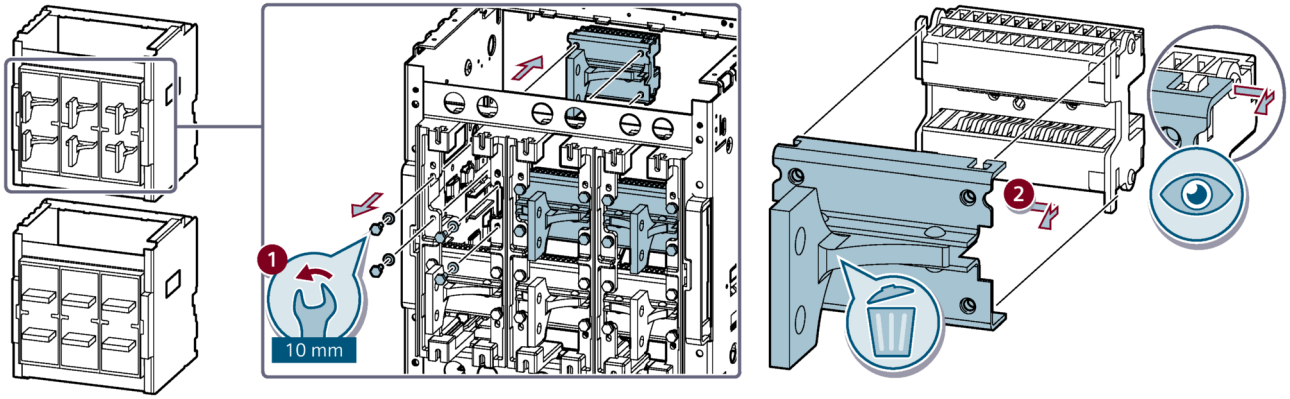
For withdrawable circuit breaker

3WJ9111-0AV1. 3WJ9111-0AX1. FS 1



3WJ9111-0AV2. 3WJ9111-0AX2. FS2  
Option with shutter

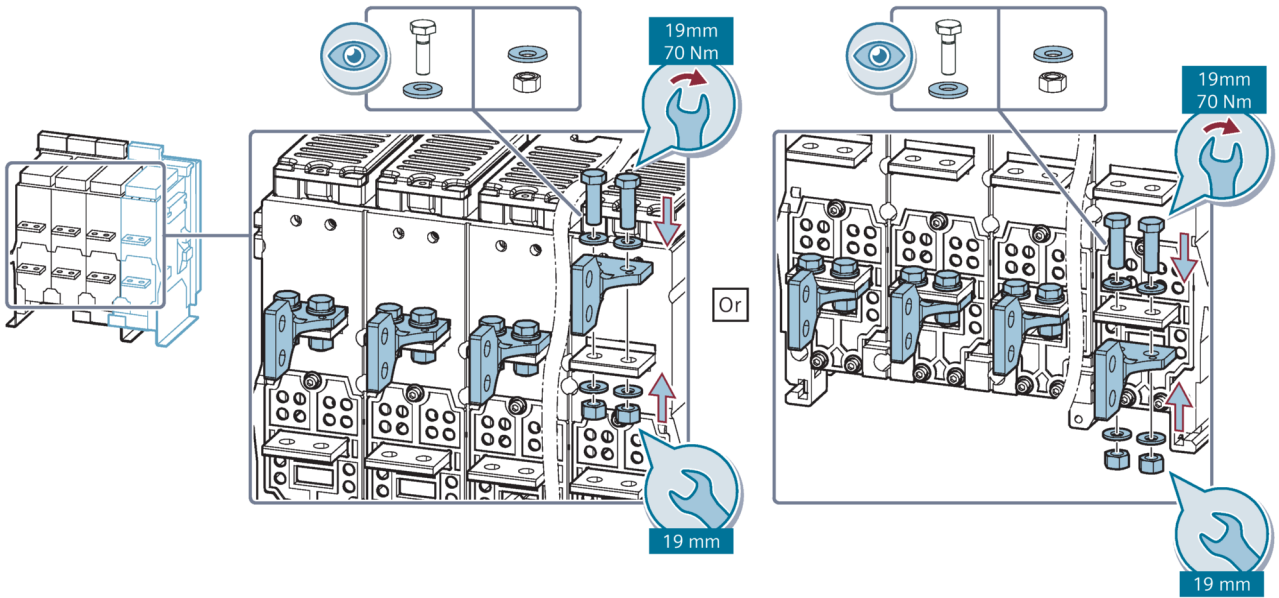


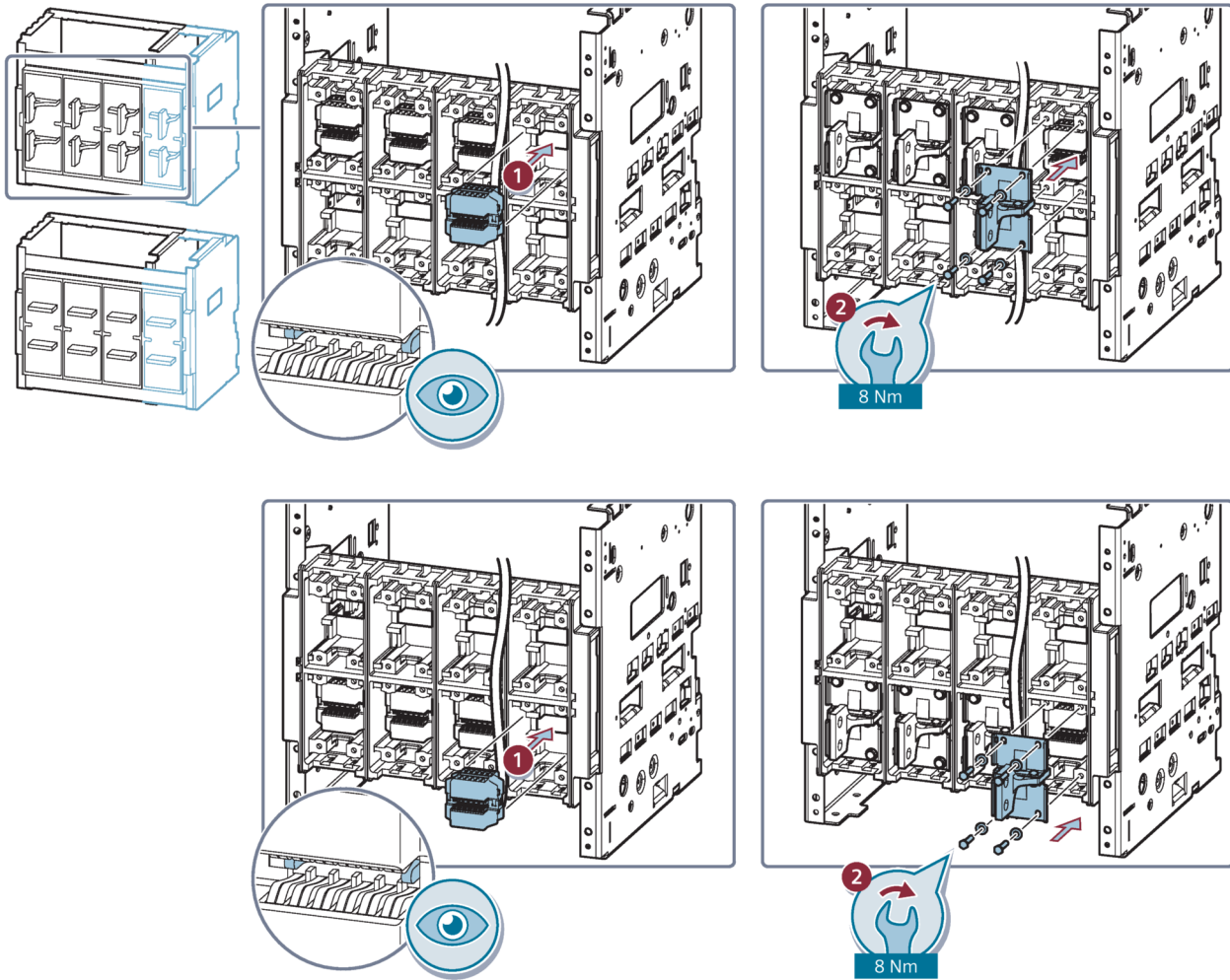
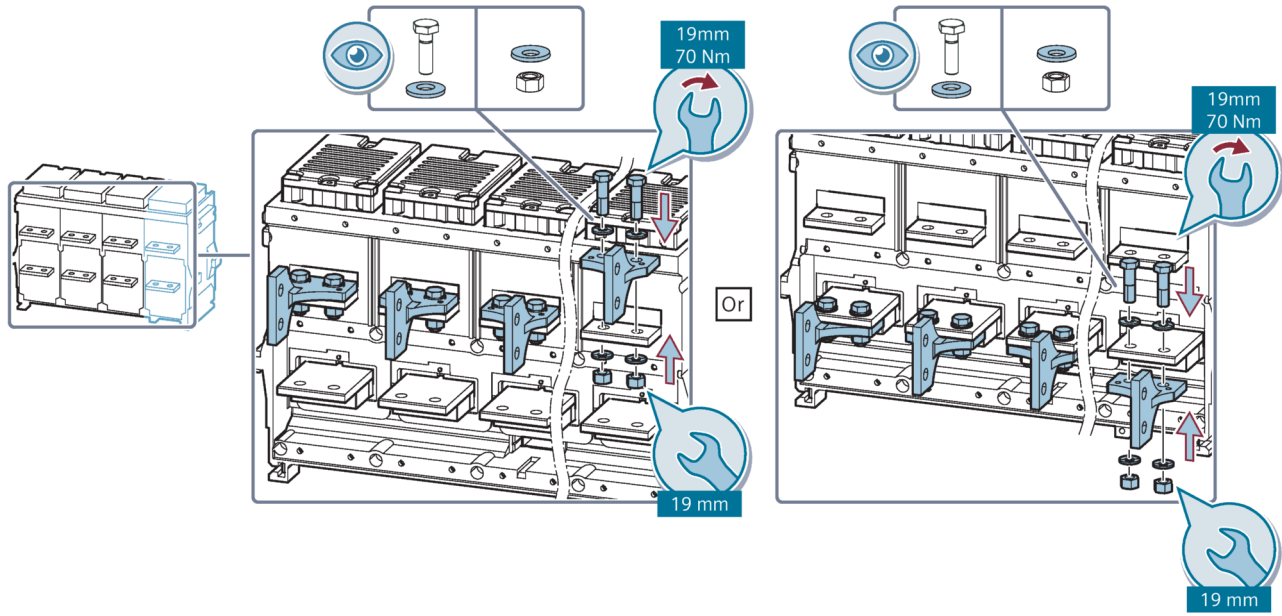


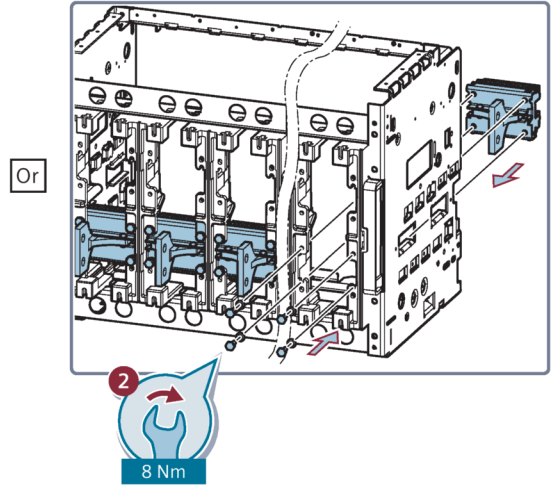
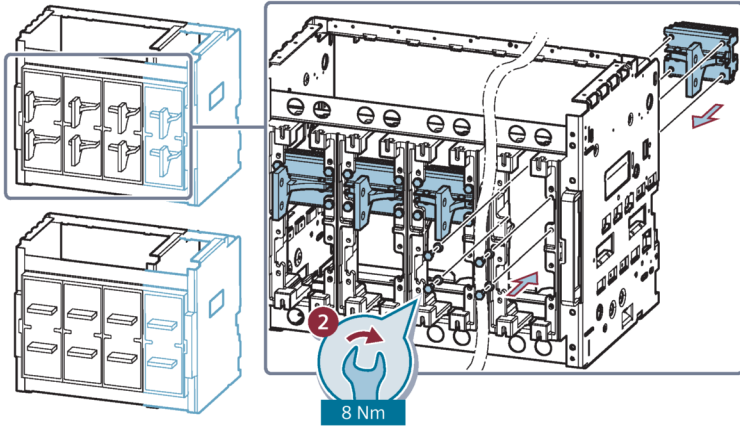
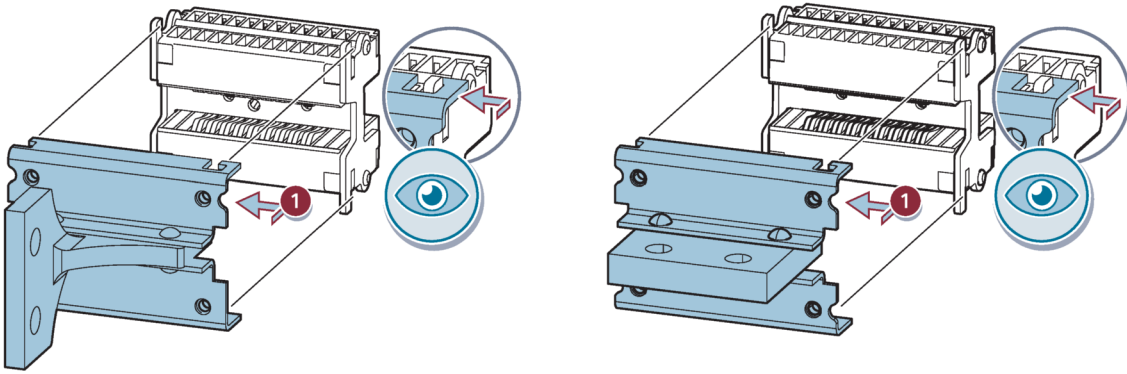
### Assembly



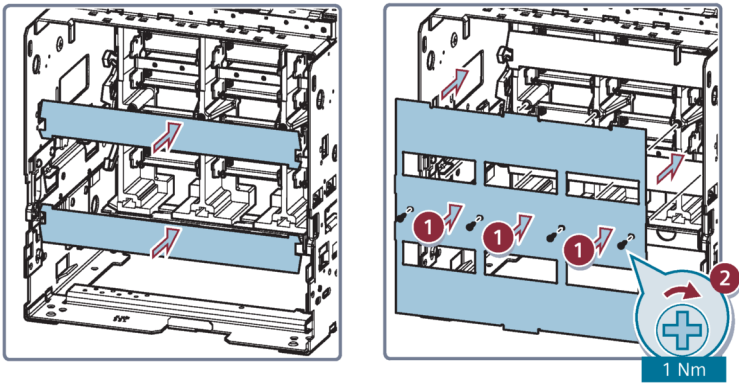
For fixed mounted circuit breaker

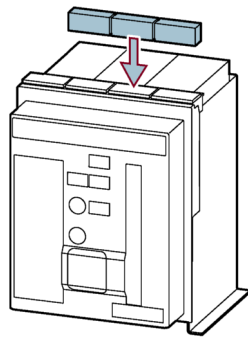
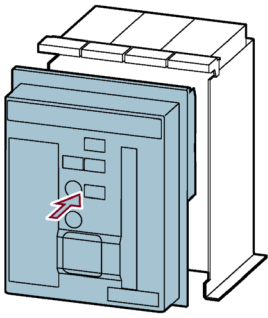






Option with shutter (FS 2)





3WJ: fixed



<https://sie.ag/3oYkSKt>

3WJ: draw-out



<https://sie.ag/3gUKOSE>

#### NOTICE

These instructions do not purport to cover all details or variations in equipment, or to provide for every possible contingency in connection with installation, operation, or maintenance. Should additional information be desired, please contact the local Siemens sales office. The contents of this instruction manual shall not become part of or modify any prior or existing agreement, commitment, or relationship. The sales contract contains the entire obligation of Siemens. The warranty contained in the contract between the parties is the sole warranty of Siemens. Any statements contained herein do not create new warranties or modify the existing warranty. Trademarks - Unless otherwise noted, all names identified by ® are registered trademarks of Siemens AG or Siemens Industry, Inc. The remaining trademarks in this publication may be trademarks whose use by third parties for their own purposes could violate the rights of the owner.