

Catalog Numbers

Catalog No.	Amperage Rating Max	Max Interrupting Rating	Catalog No.	Amperage Rating Max	Max Interrupting Rating
1 PHASE, 3 WIRE, 120/240V AC MAX			3 PHASE, 4 WIRE, 240V AC MAX		
WEB1300B	300	65,000	WEB3300B	300	65,000
WEB1300BU	300	100,000	WEB3300BU	300	100,000
WEB1350B	350	65,000	WEB3350B	350	65,000
WEB1350BU	350	100,000	WEB3350BU	350	100,000

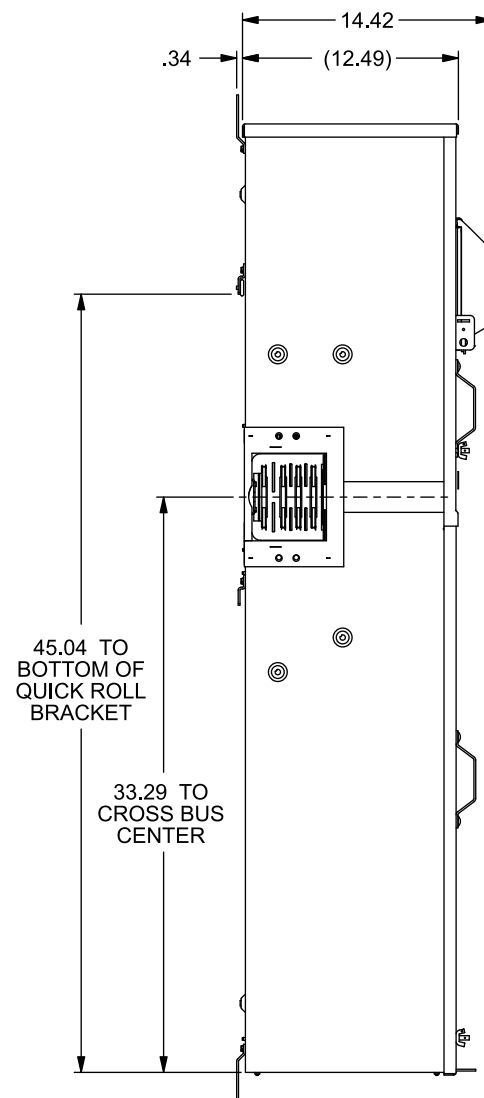
- TYPE 3R OUTDOOR ENCLOSURE
- MAIN BUS RATING: 1200A MAX.
- FOR UNDERGROUND SERVICE ONLY
- COMPLIES WITH EUSERC DWG. NOS. 315, 343, and 347



Order Catalog Numbers below for units with Lug Kits factory installed.

CATALOG Number	BASE Number	with Lug Kit Factory Installed
WEB1300BA3	WEB1300B	LK12500N2
WEB1300BUA3	WEB1300BU	LK12500N2
WEB1300BA14	WEB1300B	LK11750N2
WEB1300BUA14	WEB1300BU	LK11750N2
WEB3300BB3	WEB3300B	LK32500N2
WEB3300BUB3	WEB3300BU	LK32500N2
WEB3300BB14	WEB3300B	LK31750N2
WEB3300BUB14	WEB3300BU	LK31750N2
WEB1350BA3	WEB1350B	LK12500N2
WEB1350BUA3	WEB1350BU	LK12500N2
WEB1350BA14	WEB1350B	LK11750N2
WEB1350BUA14	WEB1350BU	LK11750N2
WEB3350BB3	WEB3350B	LK32500N2
WEB3350BUB3	WEB3350BU	LK32500N2
WEB3350BB14	WEB3350B	LK31750N2
WEB3350BUB14	WEB3350BU	LK31750N2

WEB3300B (3 Phase) SHOWN



Additional Modules, Accessories, and Lug Kits

FOR USE WITH: Module Description	Siemens Series#
Main Breakers	WB(M), WEB(M), WXB(M), BFT(M)
Switches	WMP, WS, WES, WXS
Tap/Terminal Boxes	WTB, WET, WT_PU, WTBN, WBT(M)
Pull Boxes	WMMB
Meter Module	(W)MM, (W)MT, (W)ML, (W)MK, (W)MLZ(F), (W)MN
Meter Combinations	WC, WCL, WCT,
Extension Box	WSP, WSPD
Bussed Elbow	BE, WELB

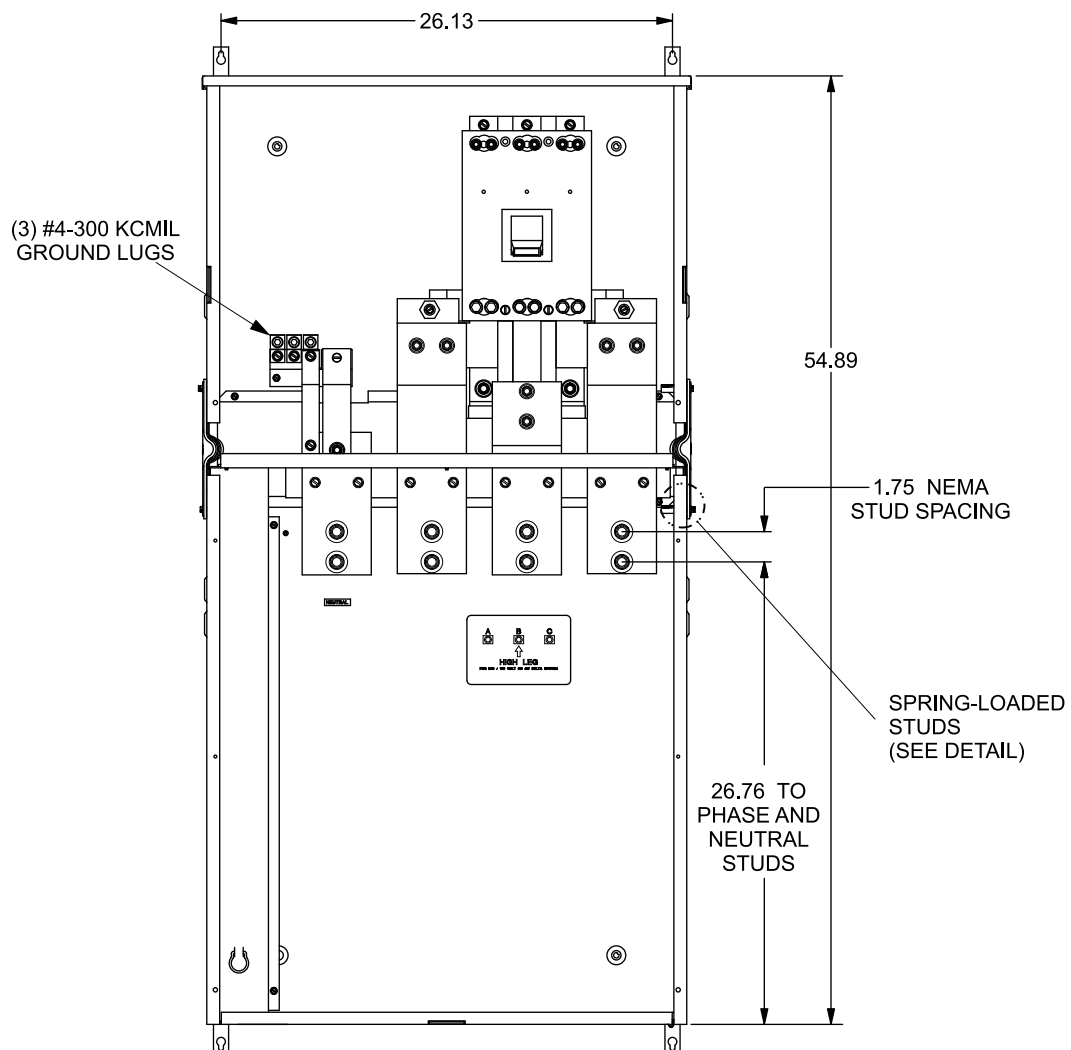
Connect Modules Using	Catalog Number / Torque
QuickConnect	QC1 (1ph) or QC4 (3ph) 400-440 lb-in (35-36 ft.-lb.) Torque

1 Phase: Lugs for Phase and Neutral Connections (not supplied)					
NEMA Lug	MFG	Wire Range	Type	No. Wires per phase	Torque (lb.-in.)
LK11750N2	Siemens	300-750 kcmil	Mechanical	1	500
LK12500N2	Siemens	1/0-500 kcmil	Mechanical	2	500
2ACL-500	ILSCO	500 kcmil	Compression	2	NA ②
2ACL-750	ILSCO	750 kcmil	Compression	1	NA ②

3 Phase: Lugs for Phase and Neutral Connections (not supplied)					
NEMA Lug	MFG	Wire Range	Type	No. Wires per phase	Torque (lb.-in.)
LK31750N2	Siemens	300-750 kcmil	Mechanical	1	500
LK32500N2	Siemens	1/0-500 kcmil	Mechanical	2	500
2ACL-500	ILSCO	500 kcmil	Compression	2	NA ②
2ACL-750	ILSCO	750 kcmil	Compression	1	NA ②

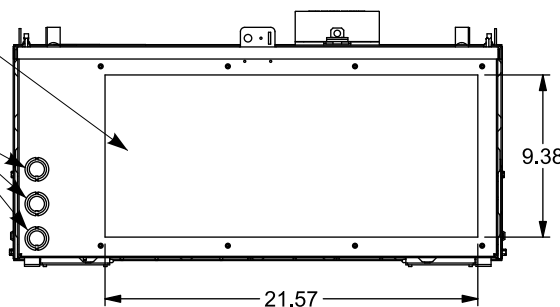
- ① Order one mechanical lug kit for main breaker and neutral conversions. Contact lug manufacturer for compression lug quantities supplied for each kit.
② See lug manufacturer's instruction sheet supplied with the connector for tool, die, and number of crimps.

THIS VIEW SHOWN WITH COVERS REMOVED



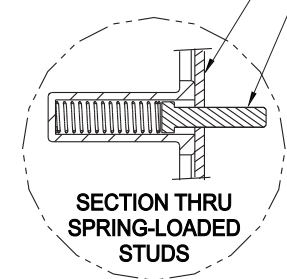
REMOVABLE BOTTOM ENDWALL OPENING

(3) 3/4 KOs

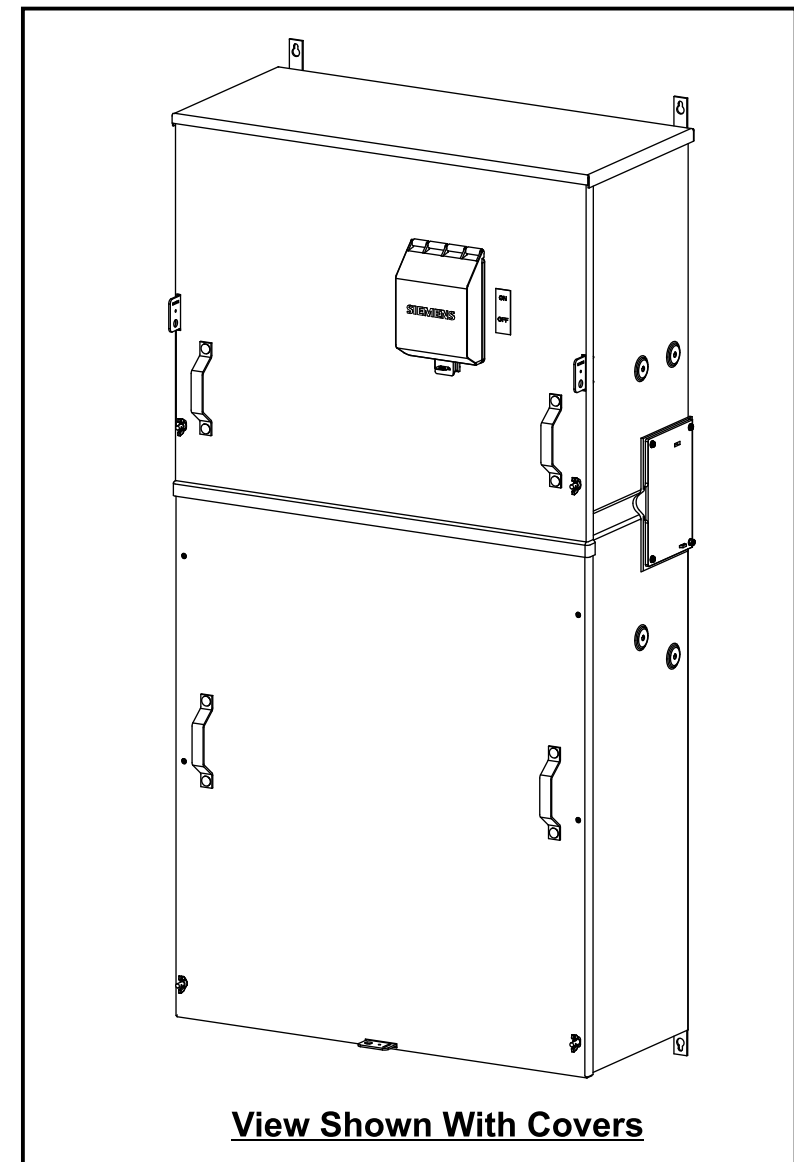
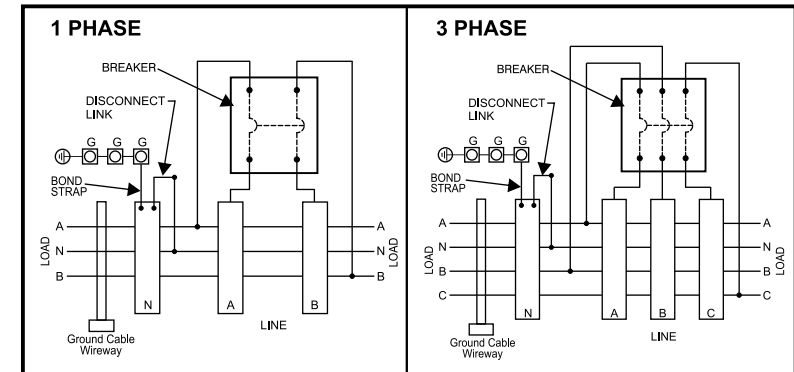


#10-32 x 7/8 SCREWS ENCLOSURE WALL

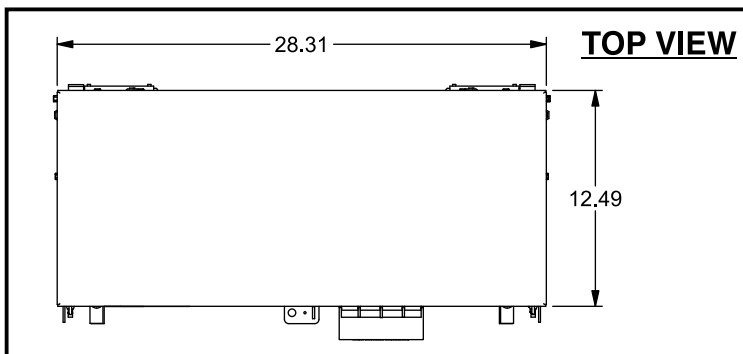
SECTION THRU SPRING-LOADED STUDS



Schematics



View Shown With Covers



© 2019 Copyright Siemens Industry, Inc.

SIEMENS
Siemens Industry, Inc.

PowerMod™ Breaker Mains

Description: **WEB1300B thru WEB3350BU (EUSERC) Service Entrance Breaker Mains**

KAM 3/6/19 Fam . DO NOT SCALE DRAWING Dwg. No. **300-350A_E_SE_Brkr_Mains**