

Catalog Numbers and Ratings

| Catalog No. | Amperage Rating | Maximum Interrupting Rating | Catalog No. | Amperage Rating | Maximum Interrupting Rating |
|---|-----------------|-----------------------------|-------------------------------------|-----------------|-----------------------------|
| 1 PHASE, 3 WIRE, 120/240V AC MAX | | | 3 PHASE, 4 WIRE, 240V AC MAX | | |
| WB1200C | 200 | 65,000 | WB3200C | 200 | 65,000 |
| WB1200CU | 200 | 100,000 | WB3200CU | 200 | 100,000 |
| WB1250C | 250 | 65,000 | WB3250C | 250 | 65,000 |
| WB1250CU | 250 | 100,000 | WB3250CU | 250 | 100,000 |
| WB1300C | 300 | 65,000 | WB3300C | 300 | 65,000 |
| WB1300CU | 300 | 100,000 | WB3300CU | 300 | 100,000 |
| WB1350C | 350 | 65,000 | WB3350C | 350 | 65,000 |
| WB1350CU | 350 | 100,000 | WB3350CU | 350 | 100,000 |
| WB1400C | 400 | 65,000 | WB3400C | 400 | 65,000 |
| WB1400CU | 400 | 100,000 | WB3400CU | 400 | 100,000 |

Replacement Parts, Accessories, and Additional Modules

| FOR USE WITH: | |
|--------------------|---|
| Module Description | Siemens Series# |
| Main Breakers | (W)MC, WB, WEB, WXB |
| Switches | WMP, WMS, WS, WES |
| Tap/Terminal Boxes | WMTB, WTB, WET, WT PU |
| Pull Boxes | WMMB |
| Meter Module | (W)MM, WxMM, (W)MT, (W)ML, (W)MK, (W)MLZ(F) |
| Meter Combinations | WC, WCL, WCT |
| Extension Box | WMEX, WSP, WSPD |
| Bussed Elbow | BE |

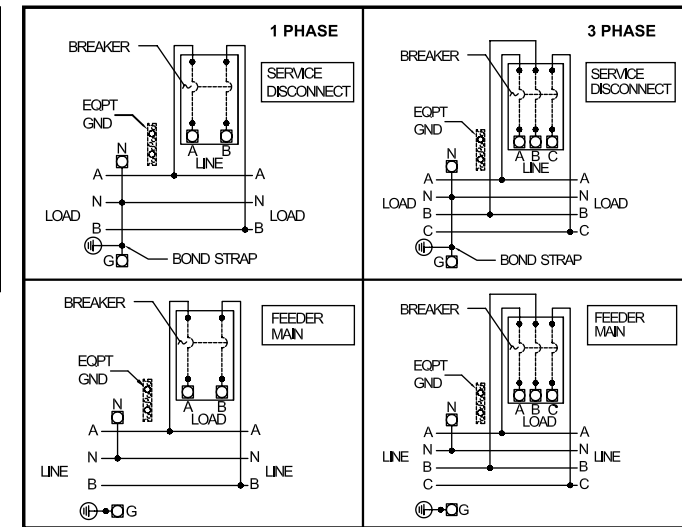
| Siemens Accessories | Catalog Number |
|---------------------|--|
| Hub Cover Plate | EC56933S |
| Type HD Hub 2" | EC56854 |
| Type HD Hub 2-1/2" | EC56855 |
| Type HD Hub 3" | EC56856 |
| Type HD Hub 3-1/2" | EC56857 |
| Type HD Hub 4" | EC56858 |
| GND Bar Kit | ECLX069M |
| Lug Landing Pad | LLP600 (lugs ordered separately) UNDERGROUND USE ONLY |

| Connect Modules Using | Catalog Number / Torque |
|-----------------------|--|
| QuickConnect | QC1 (1ph) or QC4 (3ph) 400-440 lb-in (35-36 ft.-lb.) Torque |

| Breaker Lug Kits | | | | |
|---|---------|--------------------------------------|---------------------|------------------|
| Lug Kit | MFG | Wire Range | No. Wires per phase | Torque (lb.-in.) |
| Single Phase Mechanical Lug Kits | | | | |
| LK11750 | Siemens | 500-750 kcmil | 1 | 500 |
| LK12500* | Siemens | 4/0-500 kcmil | 2 | 300 |
| Three Phase Mechanical Lug Kits | | | | |
| LK31750 | Siemens | 500-750 kcmil | 1 | 500 |
| LK32500* | Siemens | 3/0-500 kcmil CU 4/0-500 kcmil AL | 2 | 300 |

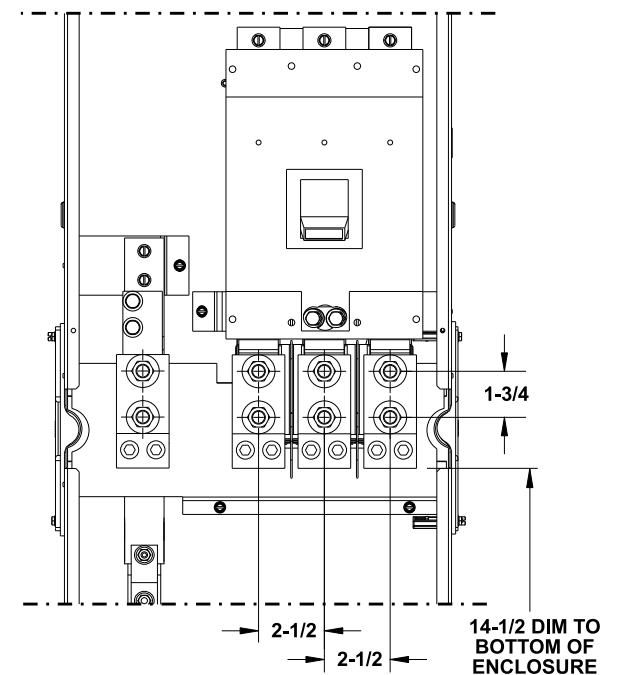
* Factory Installed

Schematics



LLP600 Lug Landing Kit

VIEW WITH LUG LANDING KIT INSTALLED SHOWN WITH LUGS INSTALLED



Lug Kits for LLP600 Phase and Neutral Connections

| NEMA Lug | MFG | Wire Range | No. Wires per phase | Torque (lb.-in.) |
|---|---------|--------------|---------------------|------------------|
| Single Phase Mechanical Lug Kits | | | | |
| LK11600N2 | Siemens | #2-600 kcmil | 1 | 500 |
| LK12350N2 | Siemens | #6-350 kcmil | 2 | 275 |
| Three Phase Mechanical Lug Kits | | | | |
| LK31600N2 | Siemens | #2-600 kcmil | 1 | 500 |
| LK32350N2 | Siemens | #6-350 kcmil | 2 | 275 |
| Compression Lug Kits | | | | |
| 2ACL-600 | IlSCO | 600 kcmil | -- | N/A |
| 2ACL-350 | IlSCO | 350 kcmil | -- | N/A |

© 2014 Copyright Siemens Industry, Inc.

SIEMENS
Siemens Industry, Inc.

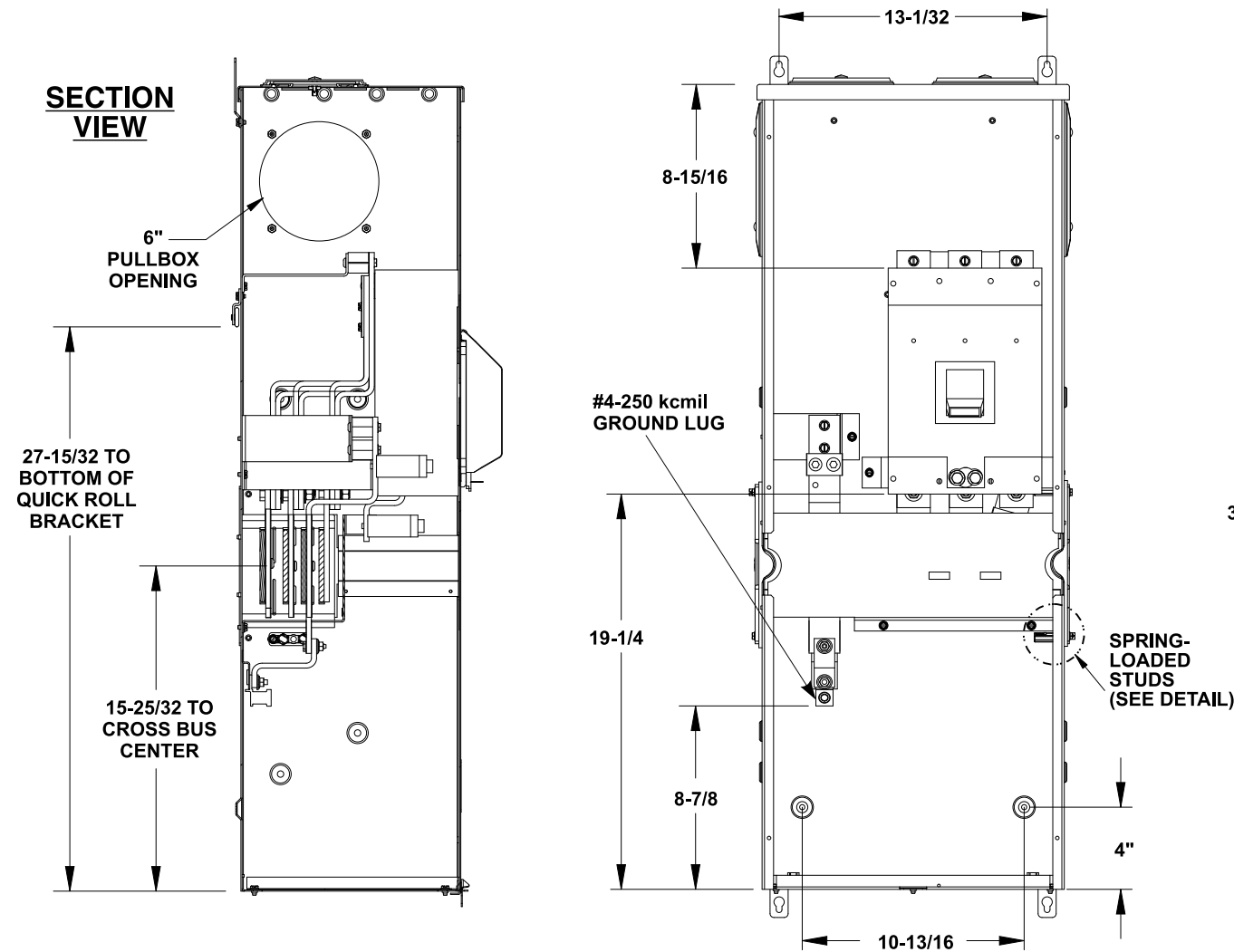
PowerMod™ Breaker Mains

Catalog Numbers: **WB1200C thru WB3400CU**
Service Entrance Breaker Mains

Size B Dwg. No. **200-400A_SE_Brkr_Mains**

Dwn KAM Date 12/4/14 DO NOT SCALE DRAWING SHEET 1 OF 1

SECTION VIEW

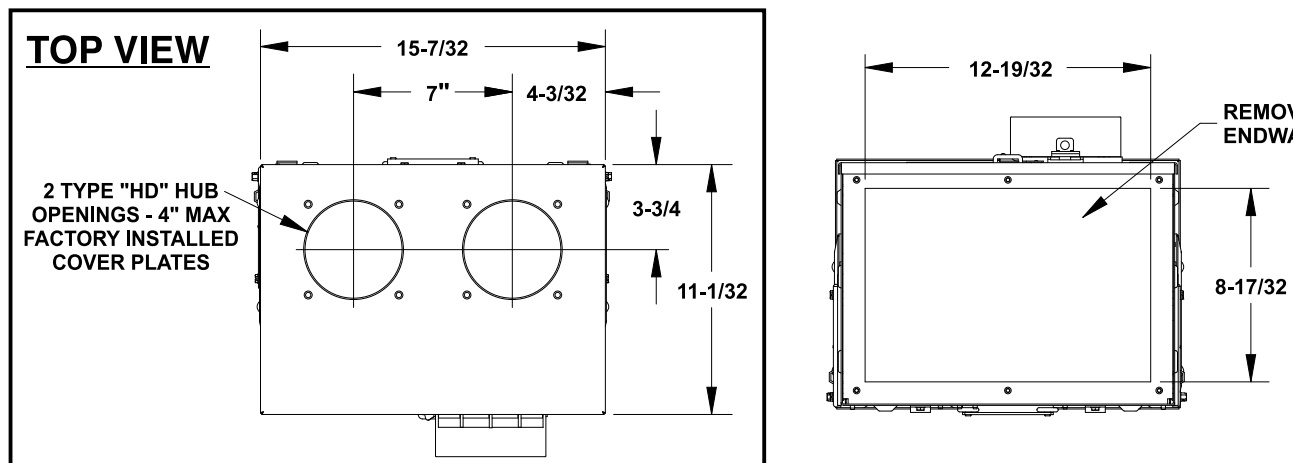


COVER PLATES PROVIDED

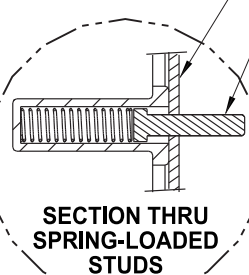
#10-32 x 5/8 SCREWS

#10-32 SEALING SCREW

TOP VIEW



#10-32 x 7/8 SCREWS ENCLOSURE WALL



SECTION THRU SPRING-LOADED STUDS

WB3400C (3 Phase) SHOWN
FRONT VIEW SHOWN WITHOUT COVER