

RATINGS: 150A MAXIMUM - SEE MAIN BREAKER RATING IF USED.
 BACK-FED BREAKER REQUIRES HOLD-DOWN MEANS.
 120/240 V~, 60 HZ, 1Ø 3W
 208Y/120 V~, 60 HZ, 1Ø 3W

FOR INSTALLATION BY A QUALIFIED PERSON IN ACCORDANCE WITH ALL LOCAL ELECTRICAL CODES AND/OR THE NATIONAL ELECTRICAL CODE ®.

SUITABLE FOR USE AS SERVICE EQUIPMENT WHEN MAIN BREAKER IS INSTALLED. WHEN USED AS SERVICE EQUIPMENT, APPLY "SERVICE DISCONNECT" LABEL TO FRONT NEXT TO MAIN BREAKER HANDLE.

WHEN USED AS SERVICE EQUIPMENT, UNUSED NEUTRAL BAR TERMINALS MAY BE USED TO TERMINATE EQUIPMENT GROUNDING WIRES IN THE COMBINATIONS INDICATED FOR EQUIPMENT GROUND BAR TERMINALS.

TO BOND NEUTRAL TO ENCLOSURE: (1) REMOVE SCREW SECURING BOND STRAP. (2) INSERT ROUND END OF BOND STRAP INTO LARGE HOLE OF NEUTRAL IN LINE WITH BOND STRAP MOUNTING HOLE. (3) REASSEMBLE BOND STRAP TO ENCLOSURE WITH SCREW PROVIDED. TIGHTEN TO 25 LB-IN. (4) TIGHTEN CONNECTOR SET SCREW ON ROUND END OF BOND STRAP TO 45 LB-IN.

SUM OF MH-T / QT BREAKER RATING IS NOT TO EXCEED 110 AMPS PER BRANCH CIRCUIT BUS STAB.

TO RESET BREAKERS WITH TRIPPED HANDLE POSITION BETWEEN "ON" AND "OFF", MOVE HANDLE TO "OFF" THEN TO "ON".

REMOVE TWISTOUTS FROM TRIM ONLY WHERE BREAKERS WILL BE INSTALLED. ALL OPENINGS MUST BE FILLED WITH BREAKERS OR FILLER PLATES. USE TWO QF3 FILLER PLATES TO FILL 150-225A MAIN BREAKER OPENING.

THIS LOAD CENTER IS INVERTIBLE FOR BOTTOM FEED APPLICATIONS.

40901610101 Rev.00

Murray Electrical Products
 Siemens Industry, Inc.
 Norcross, Georgia U.S.A.

J2



IMPORTANT: DO NOT ALLOW PETROLEUM BASED (HYDROCARBON) SPRAYS, CHEMICALS, SOLVENTS OR ANY PAINT TO CONTACT INTERIOR COMPONENTS. PETROLEUM BASED CHEMICALS CAN CAUSE DEGRADATION OF ELECTRICAL INSULATING MATERIALS.

⚠ DANGER
 Hazardous Voltage.
 Will cause death, serious injury or substantial property damage.
 Turn off power supplying this equipment before working inside.



⚠ PELIGRO
 Voltaje peligroso. Causará la muerte, lesiones graves o daño substancial a la propiedad.
 Desconecte el suministro de energía a este equipo antes de trabajar en su interior.

USE COPPER OR ALUMINUM 60/75°C WIRE SEE BREAKER MARKINGS FOR WIRE SIZE AND TORQUE REQUIREMENTS.

TERMINALS	WIRE	TORQUE
A, B	300 kcmil-4 AWG	275 LB-IN
N	300 kcmil-4 AWG	250 LB-IN
G	2/0 - 6 AWG	90 LB-IN
NEUTRAL AND EQPT GROUND BAR		
SMALL TERMINALS	10 - 14 AWG	20 LB-IN
	8 AWG	25 LB-IN
	6 AWG	35 LB-IN
LARGE TERMINALS	10 - 14 AWG	35 LB-IN
	8 AWG	40 LB-IN
	1/0 - 6 AWG	45 LB-IN
ECLK2SC NEUTRAL LUG KIT	2/0 - 6 AWG	50 LB-IN
MAIN LUG/MAIN BRKR TO BUS CONNECTION (1/4-20 NUT)		45 LB-IN

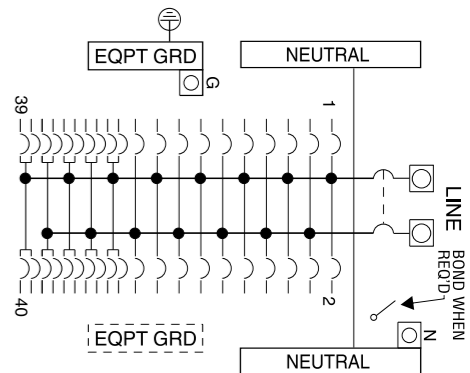
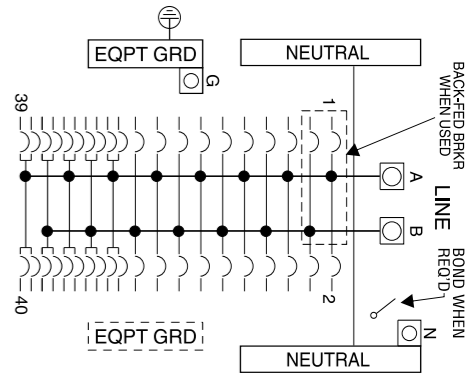
EQUIPMENT GROUND BAR TERMINALS ARE SUITABLE FOR THE FOLLOWING WIRE COMBINATIONS:
SMALL TERMINALS: ONE 14 TO 6 AWG CU; ONE 12 TO 6 AWG AL; TWO 14 AWG CU; TWO 12 AWG CU; TWO 12 AWG AL SOLID WIRES.
LARGE TERMINALS: ONE 14 TO 2 AWG CU; ONE 12 TO 2 AWG AL; TWO OR THREE 14 AWG CU; TWO OR THREE 12 AWG CU OR AL; TWO 10 AWG CU; TWO OR THREE 10 AWG AL; THREE 10 AWG CU SOLID WHEN TORQUED TO 50 LB-IN; THREE 10 AWG CU STRANDED.

ACCESSORIES	
DESCRIPTION	CAT. NO.
DOOR LOCK	EQQLF2
FILLER PLATE, 1"	QF3
MP-T/OP BREAKER HOLD-DOWN	ECMCBR2
MD-TR/QR LINE TERM BARRIER	ECLTB3
GROUND BAR KITS - USE "LX" SERIES	
STANDBY PWR INTERLOCK KIT	ECSBPK03

MAIN LUG / MAIN BREAKER KITS	
DESCRIPTION	CAT. NO.
USE APPROPRIATE KIT FROM CHART BELOW TO CONVERT PANEL.	
150A MAIN BRKR	MBK150M, MBK150A
150-225A MAIN LUG	ECMLK225

SHORT CIRCUIT CURRENT RATING THIS PANELBOARD HAS A MAXIMUM SHORT CIRCUIT CURRENT RATING OF 100,000 AMPS RMS SYMMETRICAL, 120/240V~, THE ACTUAL RATING IS DEPENDENT ON THE BRANCH BREAKERS INSTALLED IN THIS PANELBOARD AND THE MAIN/FEEDER BREAKER, IF ANY, INSTALLED AHEAD OF THIS PANELBOARD. THE CORRECT MAIN BREAKER/FEEDER/MAIN BREAKER/BRANCH BREAKER SERIES COMBINATIONS TO BE USED ARE LISTED IN THE TABULATION BELOW. ANY CIRCUIT BREAKER INSTALLED, REPLACED, OR ADDED IN THIS PANELBOARD MUST BE MANUFACTURED BY SIEMENS AND MUST BE OF THE CORRECT TYPE AS INDICATED IN THE TABULATION BELOW. USE OF OTHER CIRCUIT BREAKERS IN THIS EQUIPMENT MAY VOID THE WARRANTY.

MAIN BREAKER	MAIN/FEEDER BREAKER	PANELBOARD MAIN	BRANCH BREAKER	RATING AMPS
NONE USED	NONE USED	NONE USED or QP, QNR, MP-T, MD-TR	QP QG, QT, QAF, QAF2, QFGA2, QPF, QPF2, QE, QEH, QNR, MP-T, MG, MH-T, MP-AT, MP-AT2, MP-HGAT2, MP-GT, MP-GT2, MP-ET, MD-TR	10,000
NONE USED	NONE USED	NONE USED	QPH, QAFH, QAFH2, QFGAH2, QPHF, QPHF2, QE, QEH, QNRH, MP-HT, MP-HAT, MP-HAT2, MP-HGAT2, MP-HGT, MP-HGT2, MP-HET, MD-HTR	22,000
NONE USED	QSHH	NONE USED or EQ8693, QP, QPH, QNR, QNRH, M2, MP-T, MP-HT, MD-TR, MD-HTR	QP, QT, QAF, QAF2, QFGA2, QPF, QPF2, QE, QNR, MP-T, MH-T, MP-AT, MP-AT2, MP-GAT2, MP-GT, MP-GT2, MP-ET, MD-TR	42,000
NONE USED	NONE USED	NONE USED	HQP, HQAF2, HQFGA2, HQPF2, HQNR, MP-MT, MP-MAT2, MP-MGAT2, MP-MGT2, MD-MTR	
Siemens Breaker Types NDGA, NFGA	QPH, BLH, MP-HT	NONE USED or EQ8693, QP, QPH, QNR, QNRH, HQNR, M2, MP-T, MP-HT, MD-TR, MD-HTR	QP, QPH, QT, QAF, QAFH, QAF2, QAFH2, QFGA2, QFGAH2, QPF, QPHF, QPF2, QPHF2, QE, QEH, QNR, QNRH, MP-T, MP-HT, MH-T, MP-AT, MP-HAT, MP-AT2, MP-HAT2, MP-GAT2, MP-HGAT2, MP-HGT, MP-HGT2, MP-ET, MP-HET, MD-TR, MD-HTR	65,000
Siemens Breaker Types JXD2(-A), JD6(-A), JXD6(-A), LD6(-A), LXD6(-A), MD6, MXD6, ND6, NXD6, NJJA, NJGA, NLGB, NMG, NNG, NPG, PD6, FXD6, RD6, RXD6	QPH, BLH, QS, QN, QR2, MP-HT, MD-T	NONE USED or EQ8693, QP, QPH, QNR, QNRH, HQNR, M2, MP-T, MP-HT, MD-TR, MD-HTR	QP, QPH, QNR, QNRH, HQNR, MP-HT, MP-MT, MD-TR, MD-HTR, MD-MTR	
Siemens Breaker Types FD6, FXD6	QPH, BLH, QN, MP-HT, MD-T	NONE USED or EQ8693, QP, QPH, QNR, QNRH, HQNR, MP-HT, MP-MT, MD-TR, MD-HTR, MD-MTR	QP, QPH, QNR, QNRH, HQNR, MP-HT, MP-MT, MD-TR, MD-HTR, MD-MTR	
Siemens Breaker Types ND6, NXD6, or Class J, T, R, or L Fuses	NONE USED	NONE USED or EQ8693, QP, QPH, QNR, QNRH, HQNR, MP-HT, MP-MT, MD-TR, MD-HTR, MD-MTR	QP, QPH, QNR, QNRH, HQNR, MP-HT, MP-MT, MD-TR, MD-HTR, MD-MTR	
Siemens Breaker Types JXD2(-A), JD6(-A), JXD6(-A), LD6(-A), LXD6(-A), MD6, MXD6, ND6, NXD6, PD6, PXD6, RD6, RXD6, NDGA, NFGA, NJJA, NJGA, NLGB, NMG, NNG, NPG	QJH2, MQH	NONE USED or EQ8693, QP, QPH, QNR, QNRH, HQNR, MP-HT, MP-MT, MD-TR, MD-HTR, MD-MTR	QP, QPH, QNR, QNRH, HQNR, MP-HT, MP-MT, MD-TR, MD-HTR, MD-MTR	
Siemens Breaker Types JXD2(-A), JD6(-A), JXD6(-A), LD6(-A), LXD6(-A)	HQSH, HQPPH, HQJ2H, HQR2H, MPP-PT, HED4, HED6, NGB	NONE USED or EQ8693, QP, QPH, QNR, QNRH, HQNR, MP-HT, MP-MT, MD-TR, MD-HTR, MD-MTR	QP, QPH, QNR, QNRH, HQNR, MP-HT, MP-MT, MD-TR, MD-HTR, MD-MTR	
NONE USED	ED4, ED6, QS, QR2	NONE USED or EQ8693, QP, QPH, QNR, QNRH, HQNR, MP-HT, MP-MT, MD-TR, MD-HTR, MD-MTR	QP, QPH, QNR, QNRH, HQNR, MP-HT, MP-MT, MD-TR, MD-HTR, MD-MTR	100,000
Siemens Breaker Types HFD6, HFXD6, HFGA, HJD6(-A), HJXD6(-A), HJGA, HLD6(-A), HLXD6(-A), HLLGB, HMD6, HMXD6, HMG, HND6, HNXD6, HNG, HPD6, HPPD6, HPG, HRD6, HRXD6, or Class J, T, R, or L Fuses	NONE USED or QP, BL, MP-T	NONE USED or EQ8693, QP, QPH, QNR, QNRH, HQNR, MP-HT, MP-MT, MD-TR, MD-HTR, MD-MTR	QP, QPH, QNR, QNRH, HQNR, MP-HT, MP-MT, MD-TR, MD-HTR, MD-MTR	
Siemens Breaker Types HFD6, HFXD6, or 300V Class T Fuses - 200A Max	NONE USED or QP, BLH, MP-HT	NONE USED or EQ8693, QP, QPH, QNR, QNRH, HQNR, MP-HT, MP-MT, MD-TR, MD-HTR, MD-MTR	QP, QPH, QNR, QNRH, HQNR, MP-HT, MP-MT, MD-TR, MD-HTR, MD-MTR	
Siemens Breaker Types HDGA, HFGA, or 300V Class T Fuses - 600A Max	NONE USED or QPH, BLH, MP-HT	NONE USED or EQ8693, QP, QPH, QNR, QNRH, HQNR, MP-HT, MP-MT, MD-TR, MD-HTR, MD-MTR	QP, QPH, QNR, QNRH, HQNR, MP-HT, MP-MT, MD-TR, MD-HTR, MD-MTR	



Assembled in Mexico
 © 2017 Copyright Siemens Industry, Inc.
 ® The National Electrical Code is a registered trademark of the National Fire Protection Association.