

SIEMENS

PowerMod™ Rainproof Meter Module

Catalog Number **WMM51125, WMM51125R, WMM51125RB** Enclosure **Type 3R**

Ratings:

Main Bus Rating: 1200 Amps.
120/240 Volts AC, 1 Phase, 3 Wire.
208Y/120 Volts AC (5th jaw may be required).
See adjacent label for Short Circuit Current Rating.

Meter Socket Rating:
125 Amps. Continuous

Branch Rating:
125 Amps. Max. See Breaker Ratings

Suitable For Use As Service Equipment

when used in combination with Siemens Modular Terminal Box Series WMTB, WTB, WET, or Murray Tap Box Series DTB_W and no more than six main disconnecting means are provided.

For installation by a qualified person, in accordance with all electrical codes and/or the National Electrical Code ®.

Terminals: Use Copper or Aluminum Wire

at all panel terminals.
Suitable for 60°/75°C Conductors.

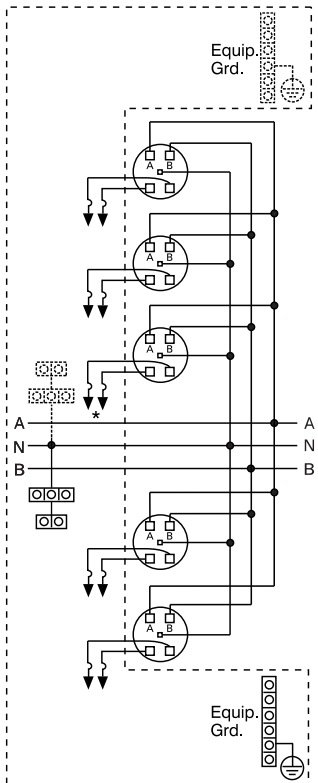
See breaker markings for wire size and torque requirements.

Neutral Terminal and Ground Terminal
Wire Size #4-2/0 AWG.
Torque to 50 Lb.-ins.

General Information:

See enclosed instruction sheet for information on mounting units.

Circuit breaker overload trip position is indicated by handle position midway between ON and OFF. To reset, move handle to OFF position then turn ON.



QP Lug Adapter 4/0: Catalog No. WM40LA (*) not for use in breaker position midway over crossbus when wire exits to TOP; Maximum 2 adapters used above crossbus when wire exits to BOTTOM. Limit 4 adapters used in one enclosure.

Siemens Industry, Inc. Peachtree Corners, Georgia U.S.A. **DH1** 4099228 Rev.00

© The National Electrical Code is a registered trademark of the National Fire Protection Association.
© 2022 Copyright Siemens Industry, Inc.

SIEMENS

Short Circuit Current Rating: (Wattour meter not included in short circuit current rating). This panelboard has a maximum short circuit current rating of 100,000 Amps RMS symmetrical, 120/240 V~ maximum. The actual rating is dependent on the branch breakers installed in this panelboard and the main disconnect, if any, installed ahead of this panelboard. The correct branch breakers and main/branch breaker series combinations to be used for various short circuit current levels are listed in the tabulation below. Any circuit breaker installed, replaced, or added in this panelboard must be manufactured by Siemens and must be of the correct Type as indicated in the tabulation below.

MAIN DISCONNECT When the main protecting the system is a (Siemens Breaker Type)	BRANCH BREAKER And the branch breakers installed are Siemens type	Then the maximum short circuit current rating in RMS symmetrical Amperes, 120/240 V~ maximum is
NONE USED	QP	10,000
	QPH	22,000
NDGA, NFGA, or Class J, T, R, or L Fuses	QPH	
JXD2(-A), JD6(-A), JXD6(-A), LD6(-A), LXD6(-A), MD6, MXD6, ND6, SND6-B, NXD6, NJJA, NJGA, NLGB, NMG, NNG, NPG, PD6, SPD6-B, PXD6, RD6, RXD6, MMAE, MMNAE	QPH	65,000
FD6, FXD6	QP	
MFAS	QP	
MJAS, MLAS	QPH	85,000
NONE USED	HQPH	
HFD6, HFXD6, HFAS, MFAE, HFAE, or 300V Class T Fuses - 200A Max	QP	100,000
HDGA, HFGA, HFAS, or 300V Class T Fuses - 600A Max	QPH	

PM125en-RevG

Warning: This equipment has been designed for use only with circuit breakers listed above. Use of other circuit breakers in this equipment could result in personal injury or property damage and may void the warranty.

For use with other PowerMod™ modular metering products.

Important: Do not allow petroleum based (hydrocarbon) sprays, chemicals, solvents or any paint to contact interior components. Petroleum based chemicals can cause degradation of electrical insulating materials.

Siemens Industry, Inc. Peachtree Corners, Georgia U.S.A.

4749931 Rev.04

© 2022 Copyright Siemens Industry, Inc.

Connect Modules Using:		Catalog Number / Torque
QuickConnect	QC1 (1ph) or QC4 (3ph)	400-440 lb-in (35-36 ft.-lb.) Torque

Accessories:

Description	Catalog No.
Horn By-Pass Mod	ECMFH
5th Jaw Mod	ECMF5
Insulated 5th Jaw	ECMF5i
Meter Cover Plate	ECOP3
End Closure Plate	WMEP
Meter Socket	ECMFS
Quick Phase Strap	ECMFPS
125A Breaker Mounting	ECMFBM1
225A Breaker Mounting	ECMFBM2
Breaker Cover Repl	ECBC
Breaker HoldDown	ECMBR2
Ringless Conversion Kit	ECMMRLCK
Meter Cover, Ring Type	ECMFMC
Meter Cover, Ringless	ECMFMCr
Bottom Pull Cover	ECMFC
Load Cover Screws	ECMFCS
Parts Kit	ECMFPK
Ground/Ntl Bar Kit	ECMFGN125
Neutral Bar Kit 225A	ECMFN225
KO Plate with Knockouts	ECMMKOP
KO Plate w/o Knockouts	ECMMNKOP
Mounting Tabs (2)	ECMFTAB
QuickRoll Wheel Clip	ECMFWLCLIP
Mounting Clip	MMCLIP
Wall Mounting Rail (60")	MMZR60
Mounting Rail	MMRAIL
4/0 QP Lug Adapter	WM40LA

4740083 Rev.01