

SIEMENS

Rainproof Combination Metering

Catalog Number

MK0402L1400SC

Enclosure

Type 3R

Device Rating: 400 Amp, Max; 120/240 Volts ~, 1 phase, 3 wire
Meter Socket Rating: 400 Amp Max, 320 Amp Continuous

For installation by Qualified Person in accordance with all local electrical codes and/or the National Electrical Code.®

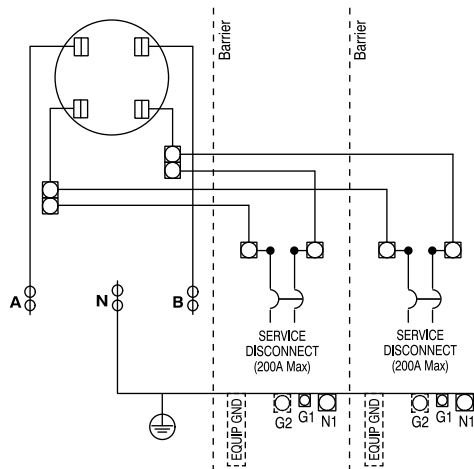
**Suitable Only For Use As Service Equipment
For Overhead/Underground Service**

**Terminals Suitable for 60°/75° C Copper or Aluminum
Conductor**

Unused neutral branch terminals may be used to terminate equipment grounding wires in the combinations indicated for equipment ground bar terminals.

General Information

Remove twistouts only where breakers will be installed.
All openings must be filled with breakers or filler plates.
Circuit breaker trip position is indicated by handle position midway between ON and OFF. To reset, move handle to OFF position then turn ON.



Line Terminals:

Provisions for UL listed NEMA mounting terminals.
Compression terminals to #750 kcmil, single conductor, ILSCO type 2ACL.
See lug manufacturer's instruction sheet supplied with the connector for tool, die, and number of crimps

Tightening Torques:

5/16" Nuts(1/2" Drive).....130-140 in-lbs
3/8" Nuts(9/16" Drive).....240-260 in-lbs
1/2" Nuts(3/4" Drive)490-540 in-lbs

Accessories:

Filler Plate QF3 or ECQF3
200A Main Breaker QN2200H / QN2200RH
150A Main Breaker QN2150H / QN2150RH
Lug #6-350 kcmil SUK350TA
Lug #2-600 kcmil SUK600TA
Lug 500-1000 kcmil SUK1000TA
Flush Rail Kit ECFRK2
Ground Bar (5 pos) ECGB5
Lug, 2/0 AWG (G2) ECLK2N
Lug, 300kcmil (G2) ECLK3N

Load, Neutral and Ground Terminals

Terminal	Wire Size	Torque
A, B, N		
SUK350TA	(2)#6-350 kcmil	275 lb-in
SUK600TA	#2-600 kcmil	375 lb-in
SUK1000TA	500-1000 kcmil	500 lb-in
N1	300 kcmil - #4	250 lb-in
G1	#2 - #14	50 lb-in
G2	ECLK2N	2/0 - 4 AWG 110 lb-in
	ECLK3N	300kcmil-4 AWG 250 lb-in
Branch Breaker Terminals	See Markings on Breaker	

If hub is required, use Type HD catalog numbers listed below:

Trade size (in)	Catalog No.
2"	EC56854
2 1/2"	EC56855
3"	EC56856
3 1/2"	EC56857
4"	EC56858
Closure Plate	EC56933S

Equipment Ground Bar

Ground Terminal Size	Wire Size	Torque
#4-#14 (ECGB5)	(1, 2 or 3) #14 CU	20 lb-in
	(1 or 2) #10-12 AL/CU	20 lb-in
	#8 AL/CU	25 lb-in
	#6 - 4 AL/CU	35 lb-in

Short Circuit Current Rating (Wathour Meter not included in short circuit rating)

This panelboard has a short circuit current rating of 22,000 Amps RMS symmetrical, 120/240 V~. The correct circuit breakers to be used for various short circuit current levels are listed in the tabulation below. Any circuit breaker installed, replaced, or added in this panelboard must be manufactured by Siemens and must be of the correct type as indicated in the tabulations below.

SERVICE DISCONNECTS	Then the maximum short circuit current rating in RMS Symmetrical Amperes 120/240V AC is
When the installed service disconnect is a Siemens type	
QP, QN, QNR	10,000
QPH, QNH, QNRH	22,000

Important: Do not allow petroleum based (hydrocarbon) sprays, chemicals, solvents or any paint to contact interior components. Petroleum based chemicals can cause degradation of electrical insulating materials.