



Catalog Numbers, Features and Ratings

- MAIN BUS RATING: 1200 AMPS 240V AC MAX.
- METER SOCKET RATING: 125 AMPS CONTINUOUS
- 65,000 AIC RATING MAX., 125 AMPS MAX. BRANCH RATING
- 1 PHASE INPUT / 1 PHASE OUTPUT
- TYPE 1 INDOOR ENCLOSURE
- MOUNTING RAILS AND ADJUSTABLE BRACKETS FOR SECURE MOUNTING
- CATALOG No. WITH RING TYPE COVER COMPLIES WITH EUSERC DWG No. 353

Catalog No.	Main Bus	Branch Rating	Meter Positions	Cover Type	Cover 5th Jaw	Horn Bypass
MM21125	1 Phase	125A Max.	2	Ring		
MM21125R	1 Phase	125A Max.	2	Ringless		
MM21125RB	1 Phase	125A Max.	2	Ringless		Installed
MM21125J	1 Phase	125A Max.	2	Ring	Installed	
MM21125RJ	1 Phase	125A Max.	2	Ringless	Installed	
MM21125RJB	1 Phase	125A Max.	2	Ringless	Installed	Installed

Accessories

Description	Catalog No.
Horn By-Pass Mod	ECMFH
End Closure Plate	WMEP
5th Jaw Mod	ECMF5
Meter Cover Plate	ECCP3
Meter Socket	ECMF3
125A Breaker Mounting	ECMFBM1
Meter Cover, Ring Type	ECMFMC
Meter Cover, Ringless	ECMFMC R
Parts Kit	ECMF PK
Load Cover Screws	ECMFCS
Bottom Pull Cover	ECMFC
Mounting Rail	MMRAIL
Mounting Clip	MMCLIP
Quick Phase Strap	ECMFPS
Breaker Cover Repl.	ECBC
Mounting Tabs (2)	ECMFTAB
Ground/Ntl Bar Kit	ECMFGN125
Ringless Conversion Kit	ECMMLCK
Back Rail/Clip	ECMFWLCLIP
Wall Mounting Rail (60")	MMZR60
QP Breaker Retainer	ECMBR2
KO Plate with Knockouts	ECMMKOP
KO Plate w/o Knockouts	ECMMNKOP
4/0 QP Lug Adapter	WM40LA

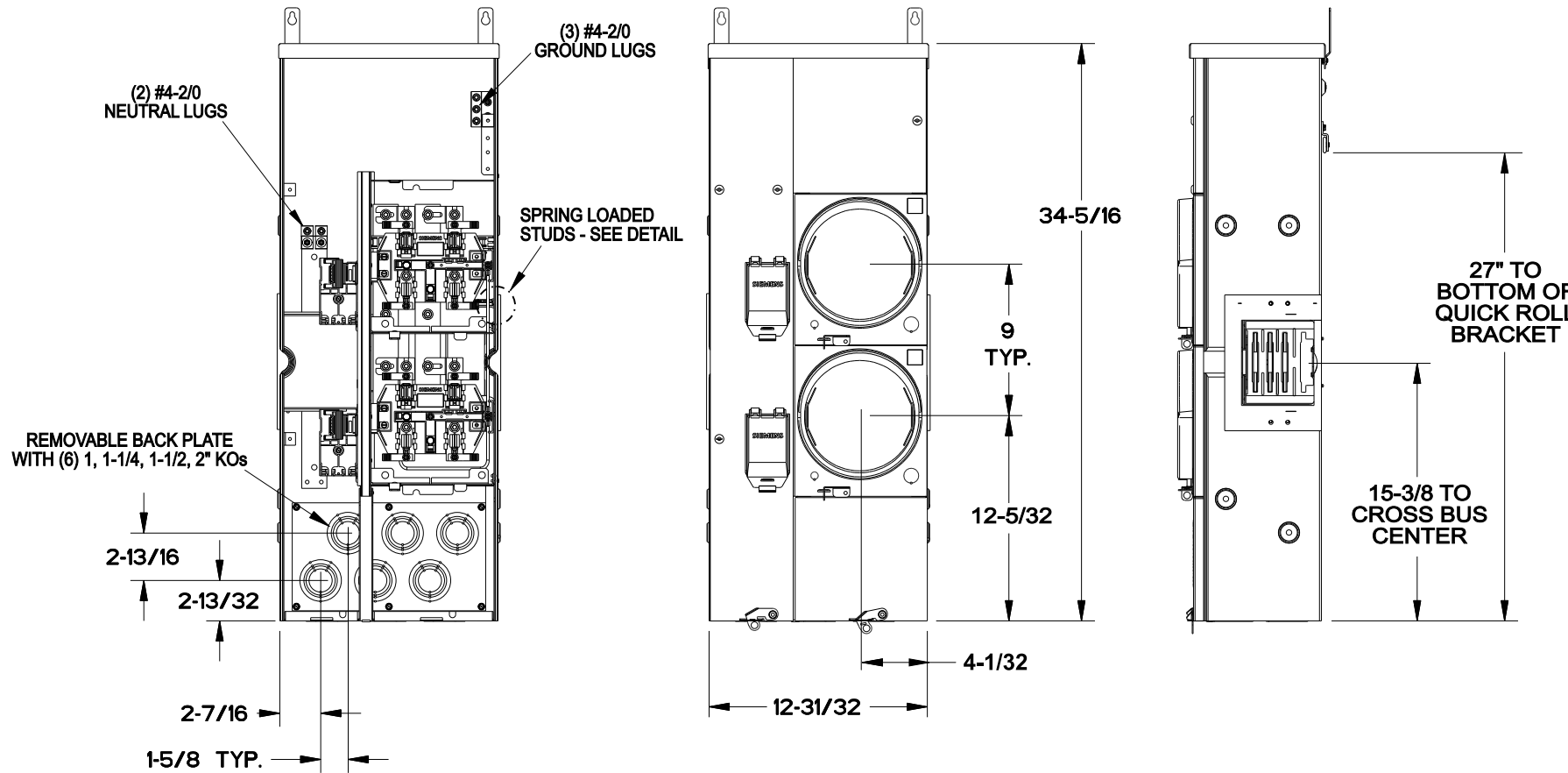
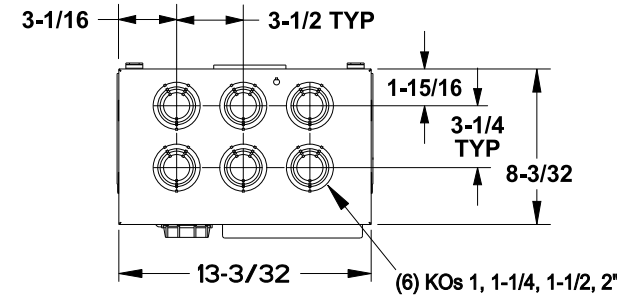
Additional Modules

For use with:

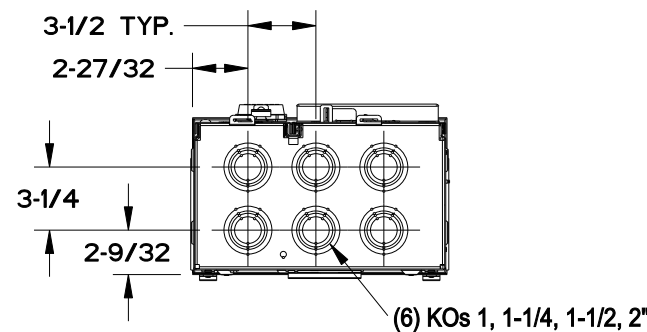
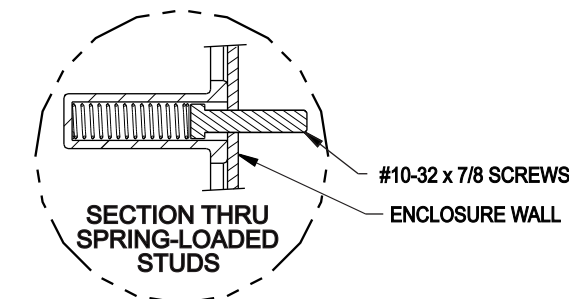
Module Description	Series#
Main Breakers	WB(M), WEB(M), WBV, WXB(M), BFT(M)
Switches	WMP, WS, WES, WXS
Tap/Terminal Boxes	WTB, WET, WT_PU, WTBN, WBT(M)
Pull Boxes	WMMB
Meter Module	(W)MM, (W)MT, (W)ML, (W)MK, (W)MLZ(F), (W)MN
Meter Combinations	WC, WCL, WCT
Extension Box	WSP, WSPD, SPT
Bussed Elbow	BE, WELB, ELBT

Connect Modules Using:	Catalog Number / Torque
QuickConnect	QC1, Torque 400-440 lb-in (35-36 ft.-lb.)

VIEW SHOWN WITHOUT COVER

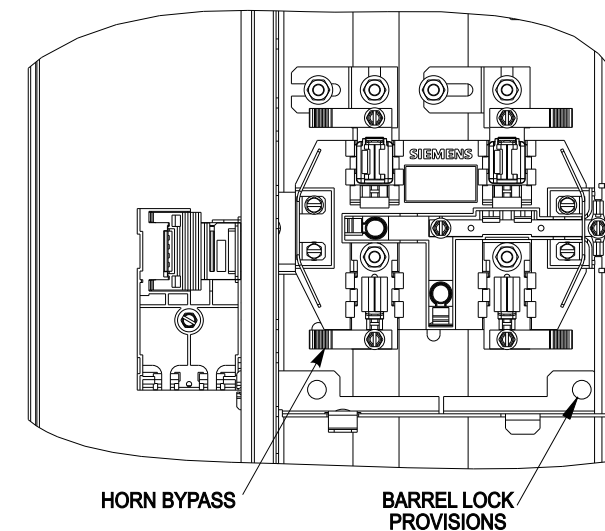


REMOVABLE BACK PLATE WITH (6) 1, 1-1/4, 1-1/2, 2" KOs

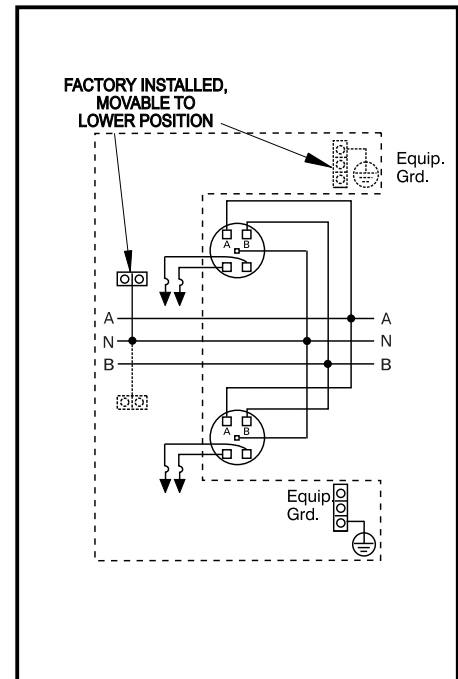


MM21125RB SHOWN

ENLARGED SOCKET DETAIL



Schematic



© 2022 Copyright Siemens Industry, Inc.

SIEMENS
Siemens Industry, Inc.

PowerMod™ Indoor Meter Stack

Description: MM21125, MM21125R, MM21125RB, MM21125J, MM21125RJ, MM21125RJB

KAM 11/14/22 DO NOT SCALE DRAWING Dwg. No. In_125A_1Ph_2Pos