

Catalog Numbers

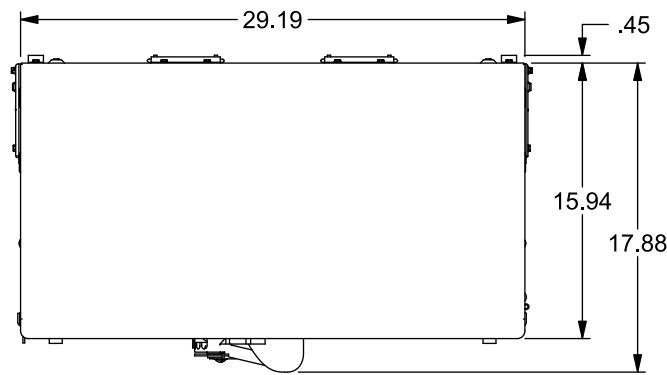
Catalog No.	Amperage Rating	Max. Interrupting Rating
1 PHASE, 3 WIRE, 120/240V AC MAX		
WES1800BU	800	100,000
3 PHASE, 4 WIRE, 240V AC MAX		
WES3800BU	800	100,000

- FOR UNDERGROUND SERVICE ONLY
- TYPE 3R OUTDOOR ENCLOSURE
- USE CLASS T (300V) FUSES ONLY
- COMPLIES WITH EUSERC DWG. NOs. 315, 343, and 347

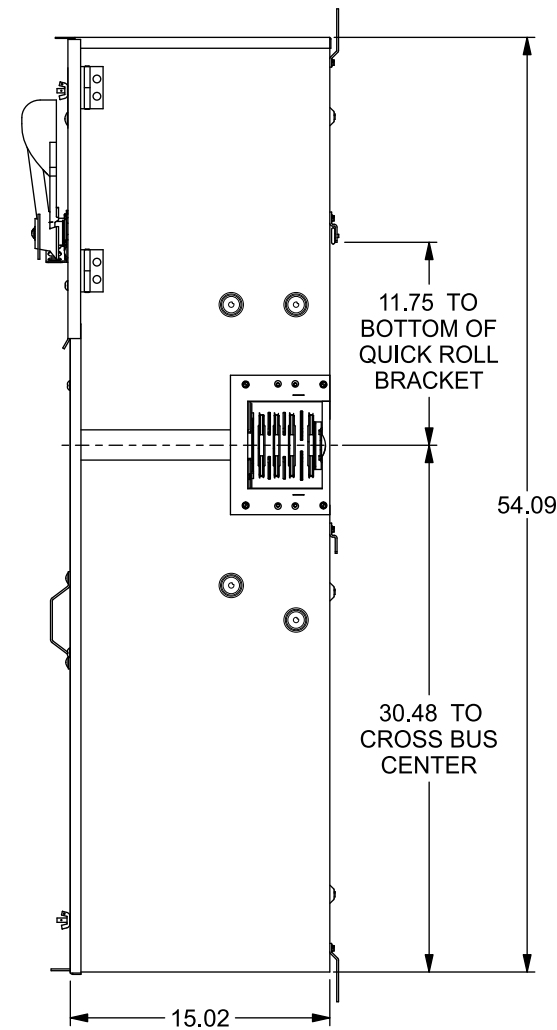
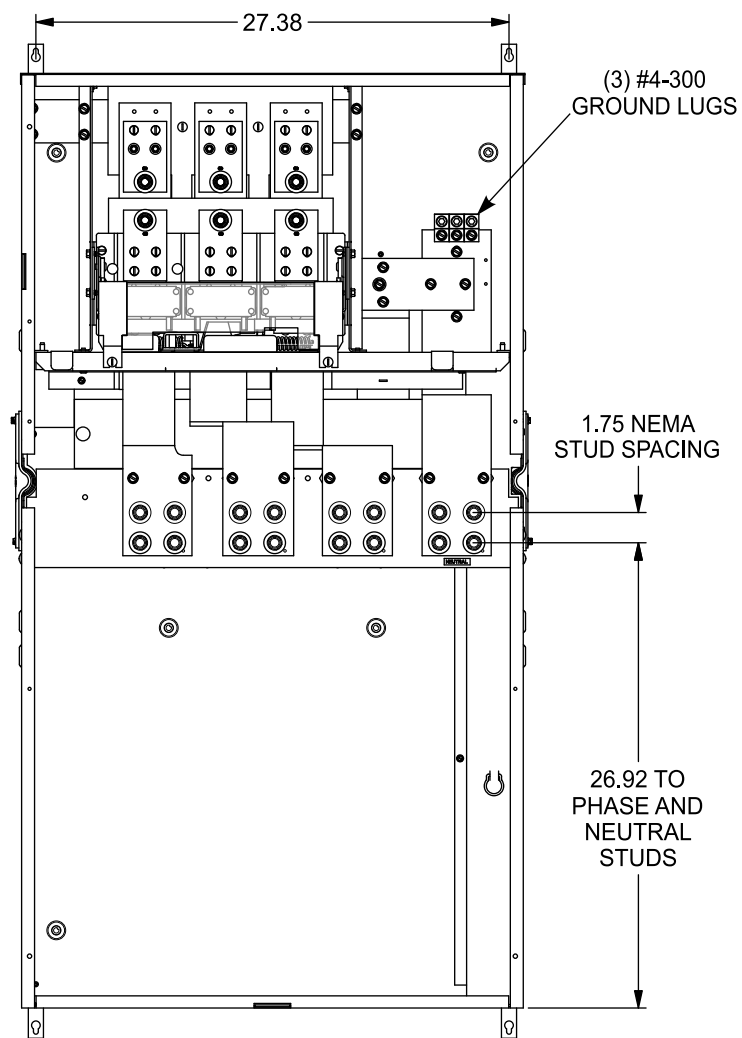


Order Catalog Numbers below for units with Lug Kits factory installed.

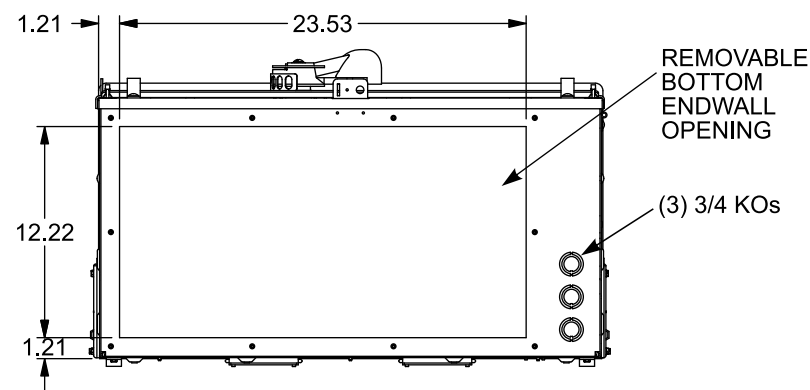
CATALOG No.	BASE Number	with Lug Kit Factory Installed
WES1800BUA6	WES1800BU	LK13500N2
WES1800BUA11	WES1800BU	LK12600N2
WES1800BUA15	WES1800BU	LK12750N2
WES3800BUB6	WES3800BU	LK33500N2
WES3800BUB11	WES3800BU	LK32600N2
WES3800BUB15	WES3800BU	LK32750N2



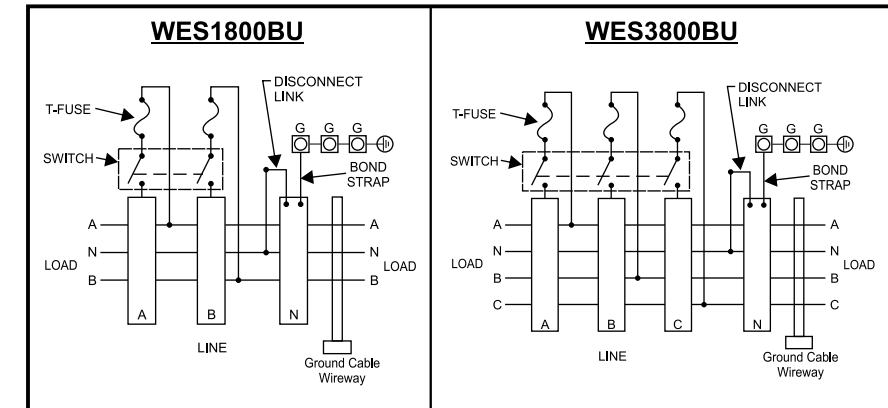
VIEW SHOWN WITH DOORS REMOVED



WES3800BU (3 Phase) SHOWN



Schematics



Replacement Parts, Accessories, and Additional Modules

Module Description	Siemens Series#
Main Breakers	WB(M), WEB(M), WXB(M), BFT(M)
Switches	WMP, WS, WES, WXS
Tap/Terminal Boxes	WTB, WET, WT_PU, WTBN, WBT(M)
Pull Boxes	WMMB
Meter Module	(W)MM, (W)MT, (W)ML, (W)MK, (W)MLZ(F), (W)MN
Meter Combinations	WC, WCL, WCT,
Extension Box	WSP, WSPD
Bussed Elbow	BE, WELB

Connect Modules Using Quick Connect

Cat. No.	Torque
QC1 (1ph)	400-440 lb-in (35-36 ft.-lb.)
QC4 (3ph)	400-440 lb-in (35-36 ft.-lb.)

1 Phase: Lugs for Phase and Neutral Connections (not supplied)					
NEMA Lug ^①	MFG	Wire Range	Type	No. Wires per phase	Torque (lb.-in.)
LK12600N2	Siemens	#2-600 kcmil	Mechanical	2	500
LK12750N2	Siemens	300-750 kcmil	Mechanical	2	500
LK13500N2	Siemens	1/0-500 kcmil	Mechanical	3	500 ②
LK14500N2	Siemens	1/0-500 kcmil	Mechanical	4	500
LK13750N2	Siemens	300-750 kcmil	Mechanical	3	500 ②
2ACL-500	ILSCO	500 kcmil	Compression	3	NA ③
2ACL-600	ILSCO	600 kcmil	Compression	2	NA ③
2ACL-750	ILSCO	750 kcmil	Compression	2	NA ③
3 Phase: Lugs for Phase and Neutral Connections (not supplied)					
NEMA Lug ^①	MFG	Wire Range	Type	No. Wires per phase	Torque (lb.-in.)
LK32600N2	Siemens	#2-600 kcmil	Mechanical	2	500
LK32750N2	Siemens	300-750 kcmil	Mechanical	2	500
LK33500N2	Siemens	1/0-500 kcmil	Mechanical	3	500 ②
LK34500N2	Siemens	1/0-500 kcmil	Mechanical	4	500
LK33750N2	Siemens	300-750 kcmil	Mechanical	3	500 ②
2ACL-500	ILSCO	500 kcmil	Compression	3	NA ③
2ACL-600	ILSCO	600 kcmil	Compression	2	NA ③
2ACL-750	ILSCO	750 kcmil	Compression	2	NA ③

- ① Order one mechanical lug kit for main breaker and neutral conversions. Contact lug manufacturer for compression lug quantities supplied for each kit.
- ② Kit contains more than one lug type.
- ③ See lug manufacturer's instruction sheet supplied with the connector for tool, die, and number of crimps.

© 2019 Copyright Siemens Industry, Inc.

SIEMENS
Siemens Industry, Inc.

PowerMod™ Switch Mains

Description: **WES1800BU thru WES3800BU
EUSERC Service Entrance Switch Mains**

KAM 1/30/19 DO NOT SCALE DRAWING Dwg. No. **800A_E_SE_Switch_Mains**