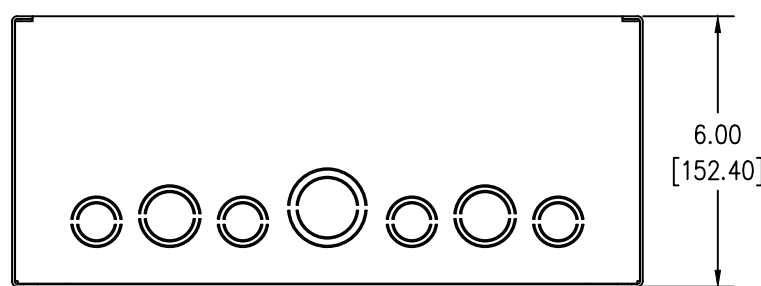
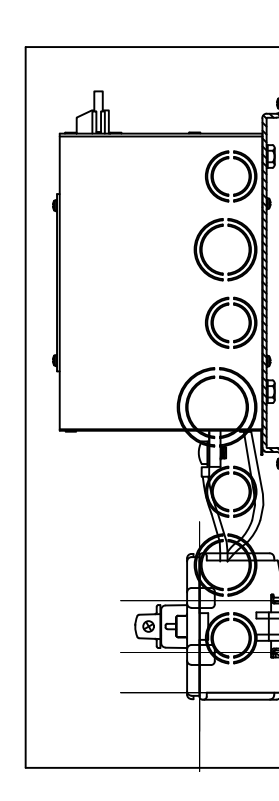
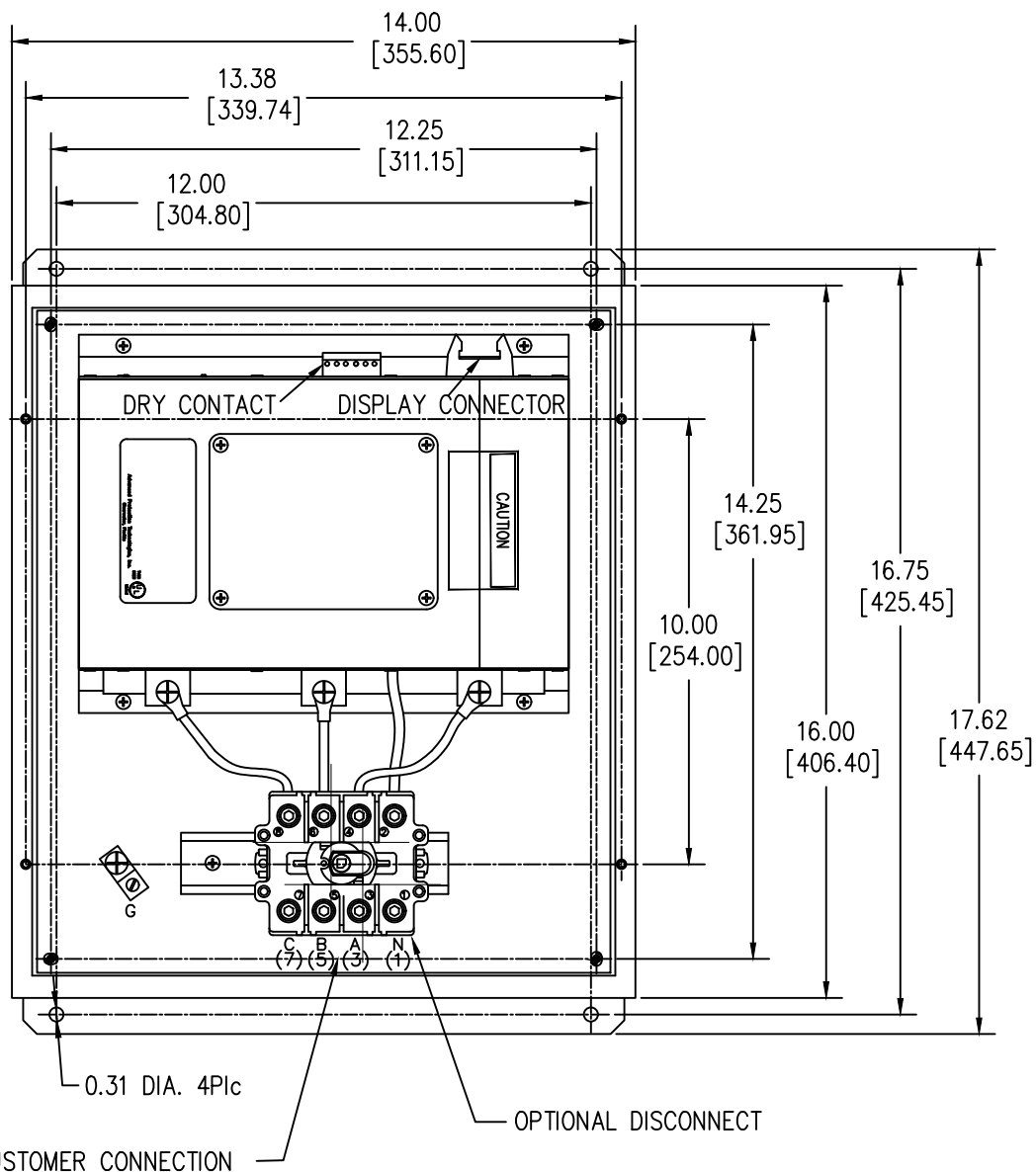
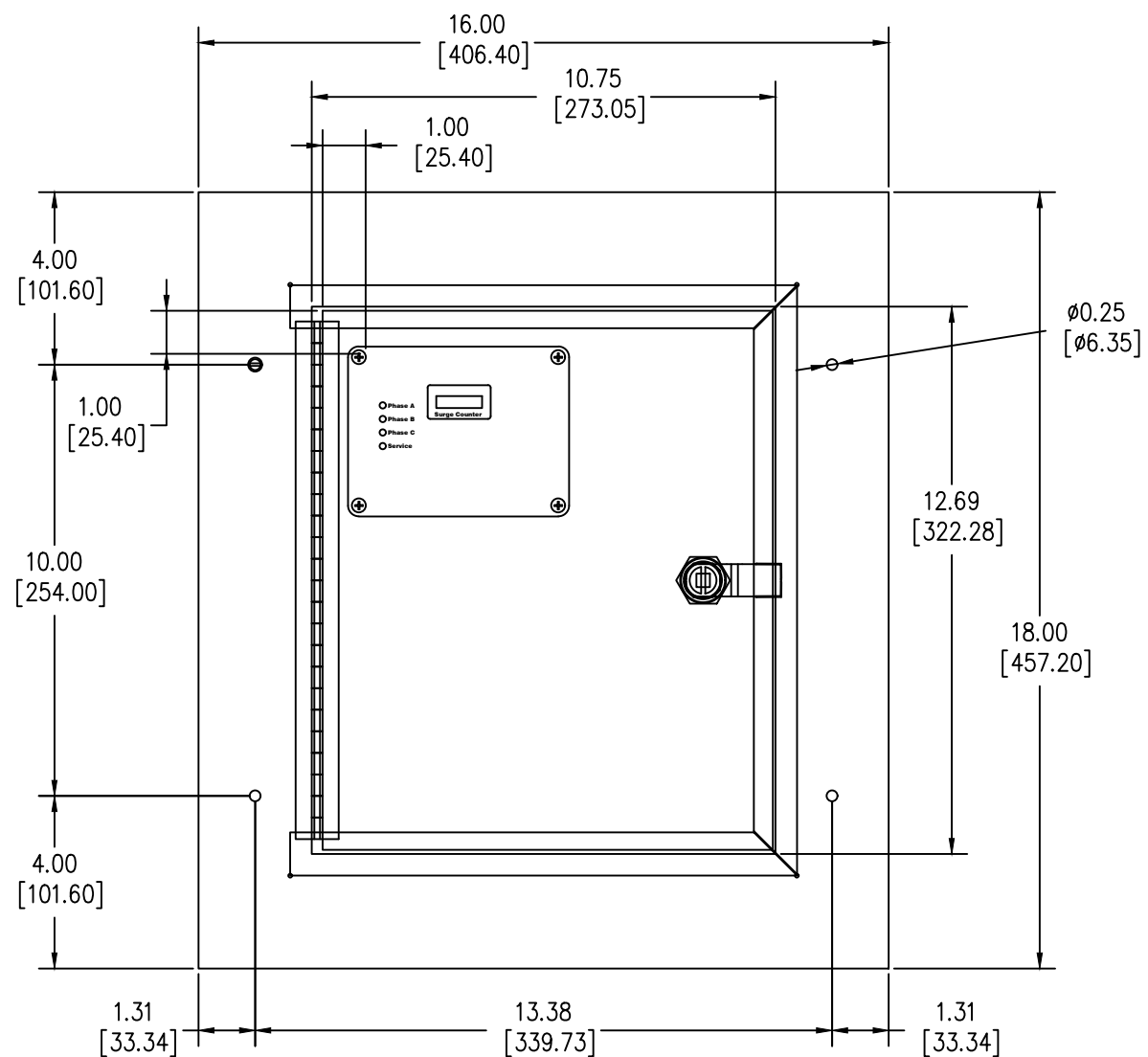


SURGE PROTECTIVE DEVICE (SPD)
WEIGHTS & DIMENSIONS
NEMA RATING: 1 FLUSHMOUNT



ENCLOSURE SPECS.
DESC: ENCLOSURE, FLUSHMOUNT PULLBOX
DIM: 16"H x 14"W x 6"D
MAT: CARBON STEEL, 16 GAUGE
FINISH: POWDERCOAT ANSI 61 GRAY
NEMA RATING: 1
DEVICE WEIGHT: 29.35LBS. (13.31KG.)

3-26-10	Date	Unless otherwise specified dimensions are in inches. Tolerances are non-cumulative and are as follows unless specified otherwise. .XX ± .020 .XXX ± .005 Angular ± 2° Do not scale drawing		Confidential - Property of Siemens Industry, Inc. Building Technologies Division
	C.N.	DRAWN H. DRIGGERS 8/17/09	TPS3-12 SERIES 400k-500k w/DS FLUSHMOUNT NEMA: 1	
	Rev	ENGINEER MJC 8/17/09	APPROVAL	DWG NO. SIE_DW_TPS31250DS-FM1
				SCALE NONE SHEET 1 of 1