

SIEMENS

Rainproof Meter Module

Catalog Number
WML21125RJ

Enclosure
Type 3R

Ratings:

Main Bus Rating: 1200 Amps.
120/240 Volts AC, 1 Phase, 3 Wire.
208Y/120 Volts AC (5th jaw may be required).
See adjacent label for Short Circuit Current Rating.

Meter Socket Rating:
200 Amps. Continuous

Branch Rating:
125 Amps. Max. See Breaker Ratings

Suitable For Use As Service Equipment when used in combination with Siemens Modular Terminal Box Series WMTB, WTB, WET, or WT_PU and no more than six main disconnecting means are provided.

For installation by a qualified person, in accordance with all electrical codes and/or the National Electrical Code ®.

Terminals:
Use Copper or Aluminum Wire at all panel terminals.
Suitable for 60°/75°C Conductors.

See breaker markings for wire size and torque requirements.

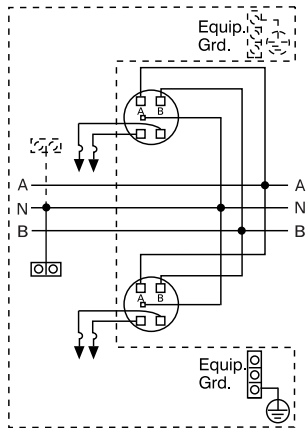
Neutral Terminal and Ground Terminal
Wire Size #4-2/0 AWG.
Torque to 110 Lb.-ins.

General Information:
See enclosed instruction sheet for information on mounting units.

Circuit breaker overload trip position is indicated by handle position midway between ON and OFF. To reset, move handle to OFF position then turn ON.

Siemens Industry, Inc. Norcross, Georgia U.S.A. **DH1** 40901212.0101 Rev.A

© The National Electrical Code is a registered trademark of the National Fire Protection Association.
© 2014 Copyright Siemens Industry, Inc.



SIEMENS

Short Circuit Current Rating: (Wathour meter not included in short circuit current rating). This panelboard has a maximum short circuit current rating of 100,000 Amps RMS symmetrical, 120/240 V~ maximum. The actual rating is dependent on the branch breakers installed in this panelboard and the main disconnect, if any, installed ahead of this panelboard. The correct branch breakers and main/branch breaker series combinations to be used for various short circuit current levels are listed in the tabulation below. Any circuit breaker installed, replaced, or added in this panelboard must be manufactured by Siemens and must be of the correct Type as indicated in the tabulation below.

MAIN DISCONNECT	BRANCH BREAKER	Then the maximum short circuit current rating in RMS symmetrical Amperes, 120/240 V~ maximum is
When the main protecting the system is a (Siemens Breaker Types)	And the branch breakers installed are Siemens type	
NONE USED or JXD2(-A), JD6(-A), JXD6(-A), HJD6(-A), HJXD6(-A), LD6(-A), LXD6(-A), HLD6(-A), HLXD6(-A), MD6, MXD6, HMD6, HMXD6, ND6, NXD6, SND6-B, HND6, HNXD6, SHND6-B, NUJA, NJGA, NJGA, NLGA, HLGA, NLGB, HLGB, NMG, HMG, NNG, HNG, NPG, HPG, PD6, PXD6, SPD6-B, HPD6, HPXD6, SHPD6-B, RD6, RXD6, HRD6, HRXD6, or Class J, T, R, or L Fuses	QP, MP-T	10,000
NONE USED	QPH, MP-HT	
MD6, MXD6, HMD6, HMXD6, ND6, NXD6, SND6-B, HND6, HNXD6, SHND6-B, NUJA, NJGA, NJGA, NLGA, HLGA, NLGB, HLGB, NMG, HMG, NNG, HNG, NPG, HPG, PD6, PXD6, SPD6-B, HPD6, HPXD6, SHPD6-B, RD6, RXD6, HRD6, HRXD6, or Class J, T, R, or L Fuses	MP-HT	22,000
NONE USED	HQP, MP-MT	
JXD2(-A), JD6(-A), JXD6(-A), HJD6(-A), HJXD6(-A), LD6(-A), LXD6(-A), HLD6(-A), HLXD6(-A)	QPH, HQP, MP-HT, MP-MT	65,000
MD6, MXD6, HMD6, HMXD6, ND6, NXD6, SND6-B, HND6, HNXD6, SHND6-B, NUJA, NJGA, NJGA, NLGA, HLGA, NLGB, HLGB, NMG, HMG, NNG, HNG, NPG, HPG, PD6, PXD6, SPD6-B, HPD6, HPXD6, SHPD6-B, RD6, RXD6, HRD6, HRXD6, or Class J, T, R, or L Fuses	QPH, HQP, MP-MT	
None Used or HJD6(-A), HJXD6(-A), HLD6(-A), HLXD6(-A), HMD6, HMXD6, HND6, HNXD6, SHND6-B, HJGA, HLGA, HLGB, HMG, HNG, HPG, HPD6, HPXD6, SHPD6-B, HRD6, HRXD6, or Class J, T, R, or L Fuses	HQPH	100,000

Warning: This equipment has been designed for use only with circuit breakers listed above. Use of other circuit breakers in this equipment could result in personal injury or property damage and may void the warranty.

Module Description	Siemens Series#
Main Breakers	WB(M), WEB(M), WXB(M), BFT(M)
Switches	WMP, WS, WES, WXS
Tap/Terminal Boxes	WTB, WET, WT_PU, WTBN, WBT(M)
Pull Boxes	WMMB
Meter Module	(W)MM, (W)MT, (W)ML, (W)MK, (W)MLZ(F), (W)MN
Meter Combinations	WC, WCL, WCT,
Extension Box	WSP, WSPD
Bussed Elbow	BE, WELB

Important: Do not allow petroleum based (hydrocarbon) sprays, chemicals, solvents or any paint to contact interior components. Petroleum based chemicals can cause degradation of electrical insulating materials.

Siemens Industry, Inc. Norcross, Georgia U.S.A. **DH1** 4749931 Rev.02

© 2019 Copyright Siemens Industry, Inc.

Connect Modules Using:	Catalog Number / Torque
QuickConnect	QC1 (1ph) or QC4 (3ph) 400-440 lb-in (35-36 ft.-lb.) Torque

Accessories:

Description	Catalog No.
Meter Cover Plate	ECCP3
End Closure Plate	WMEP
125A Breaker Mounting	ECMFBM1
Breaker Cover Repl	ECBC
Breaker HoldDown	ECMBR2
Meter Cover, Ringless 10"	ECWML10
Bottom Pull Cover	ECWMLC
Line/Phase Strap	ECWMLPS
Load Cover Screws	ECMFCS
Parts Kit	ECMFPK
Ground/Ntl Bar Kit	ECMFGN125
KO Plate with Knockouts	ECMMKOP
KO Plate w/o Knockouts	ECMMNKOP
Mounting Tabs (2)	ECMFTAB
QuickRoll Wheel Clip	ECMFWLCLIP
Mounting Clip	MMCLIP
Wall Mounting Rail (60")	MMZR60
Mounting Rail	MMRAIL

474000170101 Rev.A