

Catalog Number
P4040B1200, P4040B1200CU
P4040L1200, P4040L1200CU

Enclosure
Type 1

RATINGS: 200A MAXIMUM - SEE MAIN BREAKER RATING IF USED. BUS RATED 225A.
 BACK-FED BREAKER REQUIRES HOLD-DOWN MEANS.
 120/240 V~, 60 HZ, 1Ø 3W
 208Y/120 V~, 60 HZ, 1Ø 3W

FOR INSTALLATION BY A QUALIFIED PERSON IN ACCORDANCE WITH ALL LOCAL ELECTRICAL CODES AND/OR THE NATIONAL ELECTRICAL CODE®.

SUITABLE FOR USE AS SERVICE EQUIPMENT WHEN MAIN BREAKER IS INSTALLED. WHEN USED AS SERVICE EQUIPMENT, APPLY "SERVICE DISCONNECT" LABEL TO FRONT NEXT TO MAIN BREAKER HANDLE.

WHEN USED AS SERVICE EQUIPMENT, UNUSED NEUTRAL BAR TERMINALS MAY BE USED TO TERMINATE EQUIPMENT GROUNDING WIRES IN THE COMBINATIONS INDICATED FOR EQUIPMENT GROUND BAR TERMINALS.

WHEN THE NEUTRAL TIE STRAP IS REMOVED, THE LEFT NEUTRAL BAR WILL BECOME THE EQPT. GROUND. INSTALL LUG KIT ECLKB1 ON MAIN LUG DEVICES. ON MAIN BREAKER DEVICES, MOVE GREEN BONDING SCREW TO LEFT BAR.

TO RESET BREAKERS WITH TRIPPED HANDLE POSITION BETWEEN "ON" AND "OFF", MOVE HANDLE TO "OFF" THEN TO "ON".

REMOVE TWISTOUTS FROM TRIM ONLY WHERE BREAKERS WILL BE INSTALLED. ALL OPENINGS MUST BE FILLED WITH BREAKERS OR FILLER PLATES. USE TWO QF3 FILLER PLATES TO FILL 150-225A MAIN BREAKER OPENING.

THIS LOAD CENTER IS INVERTIBLE FOR BOTTOM FEED APPLICATIONS.

Siemens Industry, Inc. Norcross, Georgia U.S.A.

J2

40900326 0101 Rev.02

IMPORTANT: DO NOT ALLOW PETROLEUM BASED (HYDROCARBON) SPRAYS, CHEMICALS, SOLVENTS OR ANY PAINT TO CONTACT INTERIOR COMPONENTS. PETROLEUM BASED CHEMICALS CAN CAUSE DEGRADATION OF ELECTRICAL INSULATING MATERIALS.

USE COPPER OR ALUMINUM 60°/75°C WIRE

SEE BREAKER MARKINGS FOR WIRE SIZE AND TORQUE REQUIREMENTS

| TERMINALS | WIRE | TORQUE |
|---|---------------------------------------|-------------------------------------|
| A, B | 300 kcmil - 4 AWG | 275 LB-INS |
| N | 4/0 - 4 AWG CU 300kcmil-4 AWG AL | 275 LB-INS |
| G | 2/0-4 AWG | 110 LB-INS |
| MAIN BREAKER | 3/0 AWG CU 250 kcmil AL Max. | See Breaker |
| NEUTRAL/GROUND BARS (USE TYPE EC2GB or EC3GB GND BAR KIT ACCESSORY) | 10-14 CU/10-12 AL 8 AWG 6-4 AWG | 20 LB-INS 25 LB-INS 35 LB-INS |
| GROUND CONDUCTORS ONLY | (2)or(3) 14 AWG (2) 12-10 AWG | 20 LB-INS 20 LB-INS |
| ECLK1-2 NEUTRAL LUG KIT | 2/0-4 AWG | 45 LB-INS |
| ECLK2 NEUTRAL LUG KIT | 2/0-4 AWG | 135 LB-INS |
| ECLK3 NEUTRAL LUG KIT | 300 kcmil - 1 AWG | 340 LB-INS |
| MAIN LUG/MAIN BRKR TO BUS CONNECTION (1/4-20 NUT) | | 45 LB-INS |
| BONDING SCREW | | 45 LB-INS |

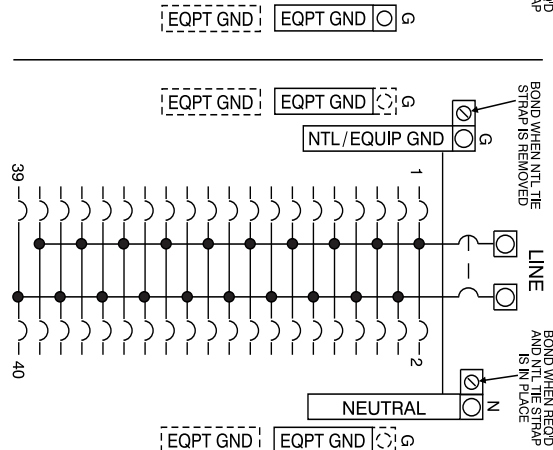
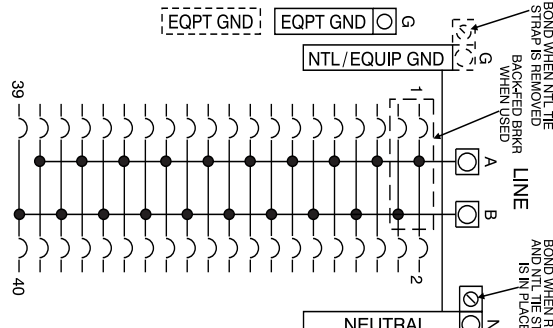
ACCESSORIES

| DESCRIPTION | CAT. NO. |
|--|----------|
| DOOR LOCK | ECQFL2 |
| FILLER PLATE, 1" | QF3 |
| QP BREAKER HOLD-DOWN | ECMBR2 |
| QNR LINE TERMINAL BARRIER | ECLTB3 |
| BONDABLE GROUND LUG | ECLKB1 |
| SUBFEED LUG KITS: ECLK2125, ECLK2150, ECLK2225 | |
| STANDBY PWR INTERLOCK KITS: ECSBPk01, ECSBPk02, ECSBPk03, ECSBPk05, ECSBPk06, ECSBPk07 | |

MAIN LUG / MAIN BREAKER KITS

USE APPROPRIATE KIT FROM CHART BELOW TO CONVERT PANEL

| DESCRIPTION | CAT. NO. |
|----------------------|----------|
| 150 AMP MAIN BREAKER | MBK150A |
| 200 AMP MAIN BREAKER | MBK200A |
| 150-225 AMP MAIN LUG | ECMLK225 |



SHORT CIRCUIT CURRENT RATING THIS PANELBOARD HAS A MAXIMUM SHORT CIRCUIT CURRENT RATING OF 100,000 AMPS RMS SYMMETRICAL, 120/240V~. THE ACTUAL RATING IS DEPENDENT ON THE BRANCH BREAKERS INSTALLED IN THIS PANELBOARD AND THE MAIN/FEEDER BREAKER, IF ANY. INSTALLED AHEAD OF THIS PANELBOARD. THE CORRECT MAIN BREAKER/FEEDER/MAIN BREAKER/BRANCH BREAKER SERIES COMBINATIONS TO BE USED ARE LISTED IN THE TABULATION BELOW. ANY CIRCUIT BREAKER INSTALLED, REPLACED, OR ADDED IN THIS PANELBOARD MUST BE MANUFACTURED BY SIEMENS AND MUST BE OF THE CORRECT TYPE AS INDICATED IN THE TABULATION BELOW. USE OF OTHER CIRCUIT BREAKERS IN THIS EQUIPMENT MAY VOID THE WARRANTY.

| MAIN BREAKER | MAIN/FEEDER BREAKER | PANELBOARD MAIN | BRANCH BREAKER | RATING AMPS |
|--|--|---|--|-------------|
| NONE USED | NONE USED | NONE USED or QP, QNR | QP, QG, QAF, QAF2, QFGA2, QPF, QPF2, QE, QNR | 10,000 |
| NONE USED | NONE USED | NONE USED | QPH, QAFH, QAFH2, QFGAH2, QPHF, QPHF2, QEH, QNRH | 22,000 |
| NONE USED | EQ8693, EQ8695, QPH, QNRH | NONE USED or QP, QNR | QP, QAF, QAF2, QFGA2, QPF, QPF2, QE, QNR | 42,000 |
| NONE USED | QSSH | NONE USED or EQ8693, EQ8695, QP, QPH, QNR, QNRH | QP, QPH, QAF, QAFH, QAF2, QAFH2, QFGA2, QFGAH2, QPF, QPHF, QPF2, QPHF2, QE, QEH, QNR, QNRH | 42,000 |
| NONE USED | NONE USED | NONE USED or HQP, HQAF2, HQFGA2, HQPF2, HQNR | HQP, HQAF2, HQFGA2, HQPF2, HQNR | 65,000 |
| Siemens Breaker Types NDGA, NFGA | QPH, BLH | NONE USED or EQ8693, EQ8695, QP, QPH, QNR, QNRH, HQNR | QP, QPH, QAF, QAFH, QAF2, QAFH2, QFGA2, QFGAH2, QPF, QPHF, QPF2, QPHF2, QE, QEH, QNR, QNRH | 65,000 |
| Siemens Breaker Types JXD2(-A), JD6(-A), JXD6(-A), LD6(-A), LXD6(-A), MD6, MXD6, ND6, NXD6, NJJA, NJGA, NLGB, NMG, NNG, NPG, PD6, PXD6, RD6, RXD6 | QPH, BLH, QS, QN, QR2 | NONE USED or QP, BL, QS, QN, QJ2, QR2 | QPH, BLH, QN | 65,000 |
| Siemens Breaker Types ND6, NXD6, or Class J, T, R, or L Fuses | QPH, BLH, QR2 | NONE USED | QPH, HQP, QNR, QNRH, HQNR | 65,000 |
| Siemens Breaker Types JXD2(-A), JD6(-A), JXD6(-A), LD6(-A), LXD6(-A), MD6, MXD6, ND6, NXD6, PD6, PXD6, RD6, RXD6, NDGA, NFGA, NJJA, NJGA, NLGB, NMG, NNG, NPG | NONE USED | QJH2 | QPH, HQP, QNR, QNRH, HQNR | 65,000 |
| Siemens Breaker Types JXD2(-A), JD6(-A), JXD6(-A), LD6(-A), LXD6(-A) | QJH2 | NONE USED | QPH, HQP, QNR, QNRH, HQNR | 65,000 |
| NONE USED | HQSH, HQPPH, HQJ2H, HQR2H, HED4, HED6, NGB | NONE USED or EQ8693, EQ8695, QP, QPH, HQP | QP, QPH, HQP, QAF, QAFH, QAF2, QAFH2, HQAF2, QFGA2, QFGAH2, HQFGA2, QPF, QPHF, QPF2, QPHF2, HQPF2, QE, QEH | 100,000 |
| Siemens Breaker Types HFD6, HFXD6, HFGA, HJD6(-A), HJXD6(-A), HJGA, HLD6(-A), HLXD6(-A), HLG6, HMD6, HMXD6, HMG, HND6, HNXD6, HNG, HPD6, HPXD6, HPG, HRD6, HRXD6, or Class J, T, R, or L Fuses | ED4, ED6, QS, QR2 | NONE USED or QP, BL | QP, QPH, HQP, QAF, QAFH, QAF2, QAFH2, HQAF2, QFGA2, QFGAH2, HQFGA2, QPF, QPHF, QPF2, QPHF2, HQPF2, QE, QEH | 100,000 |
| Siemens Breaker Types HFD6, HFXD6, or 300V Class T Fuses - 200A Max | NONE USED or QP, BL | NONE USED or QPH, BLH | QP, QPH, HQP, QAF, QAFH, QAF2, QAFH2, HQAF2, QFGA2, QFGAH2, HQFGA2, QPF, QPHF, QPF2, QPHF2, HQPF2, QE, QEH | 100,000 |
| Siemens Breaker Types HDGA, HFGA, or 300V Class T Fuses - 600A Max | NONE USED or QPH, BLH | NONE USED or QPH, HQP | QP, HQP | 100,000 |

⚠ DANGER
 Hazardous Voltage.
 Will cause death, serious injury or substantial property damage.
 Turn off power supplying this equipment before working inside.

⚠ PELIGRO
 Voltaje peligroso. Causará la muerte, lesiones graves o daño substancial a la propiedad.
 Desconecte el suministro de energía a este equipo antes de trabajar en su interior.